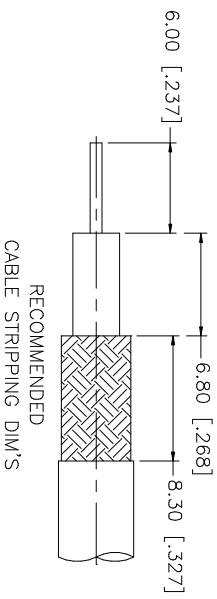
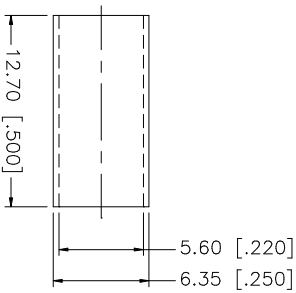
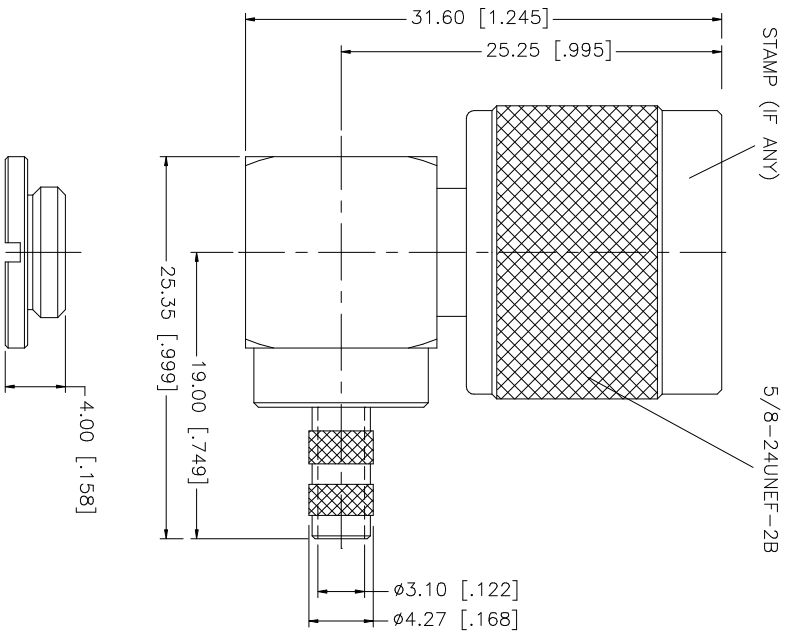


REV.	DATE	DESCRIPTION
A	11/21/02	MODIFY PLATING SPEC
B	01/24/03	UPDATE DRAWING FORMAT
C	01/07/04	MODIFY BODY LENGTH / COVER



- NOTE:
- CRIMPED FERRULE  
HEX: CRIMP SIZE .213"
  - CONTACT PIN TO SOLDER.

8																				
7																				
6																				
5	CLAMP NUT	BRASS	NEXCOTE	NEXCOTE	1															
4	FERRULE	COPPER	NEXCOTE	NEXCOTE	1															
3	CONTACT PIN	BRASS	GOLD	GOLD	1															
2	INSULATOR	TEFLON	NATURAL	NATURAL	1															
1	BODY	BRASS	NEXCOTE	NEXCOTE	1															
	DESCRIPTION	MATERIAL	FINISH	QTY																
					UNLESS OTHERWISE SPECIFIED DIMENSIONS ARE IN MILLIMETERS. DIMENSIONS IN ( ) ARE IN INCHES AND FOR CUSTOMER REFERENCE ONLY. TOLERANCES FOR MILLIMETERS ARE: UNLESS OTHERWISE SPECIFIED: 0.5 - 8mm ± 0.20mm 8 - 30mm ± 0.40mm 30 - 120mm ± 0.50mm UNLESS OTHERWISE SPECIFIED DIMENSIONS ARE IN INCHES. TOLERANCES FOR INCHES ARE: .020 - .315 = ± 0.007" .315 - 1.180 = ± 0.015" 1.180 - 4.724 = ± 0.020"					APPROVALS					DATE					
					DRAWN G.R.S.					01/07/04										
					CHECKED															
					ISSUED															
					SHEET 1 OF 1															
					PART NO.					172178										
					PART DESCRIPTION					N R/A CRIMP PLUG (FOR RG-55/U, 142A/U, 223/U, 400/U CABLE)										
					CAD FILE					C:/172/172178.DWG										
					DWG. NO.					172178.DWG										
					REV. C					SIZE A										
					SCALE NA															

**Amphenol Connex**