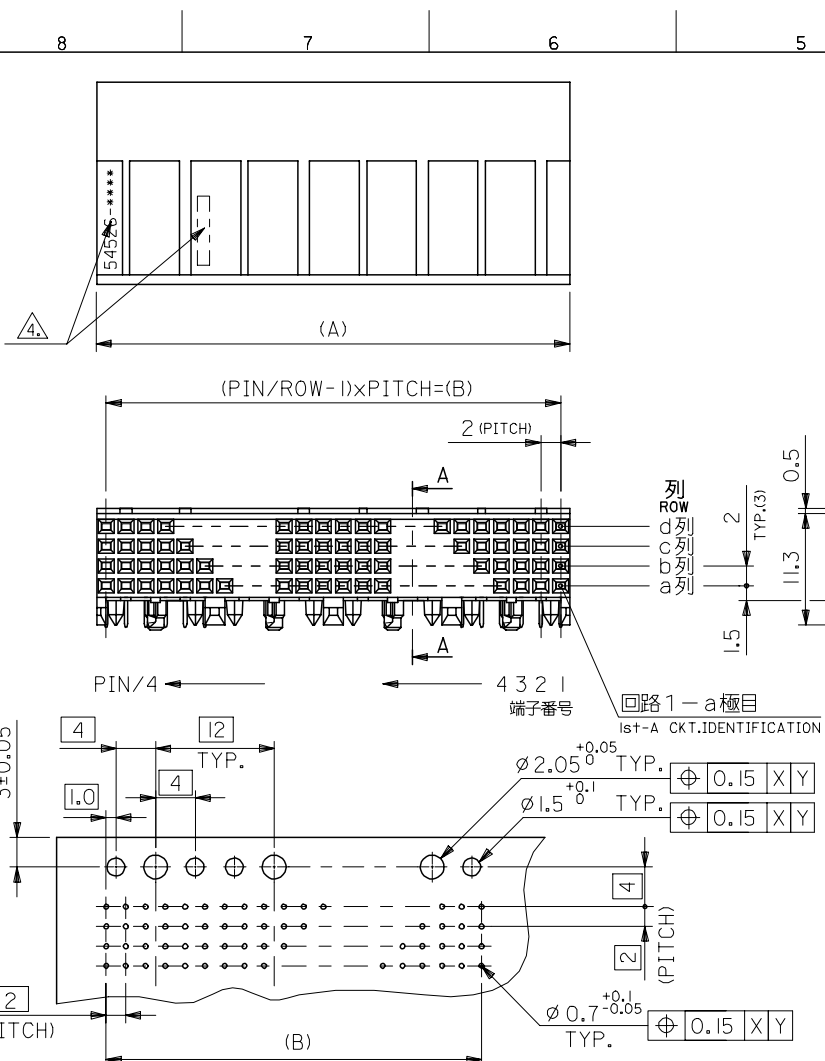
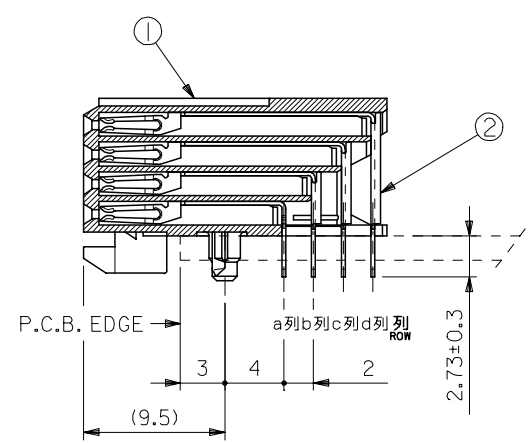


DWG. 10.
SD-54526-004



番号 No.	部品 PART NAME	材質 MATERIAL	仕上げ FINISH
①	リセプタクル ハウジング RECEPTACLE HOUSING	液晶ポリマー、ガラス充填、自然色(白)、UL94V-0 LCP, GLASS FILLED, NATURAL(WHITE), UL94V-0	—
②	リセプタクル ターミナル RECEPTACLE TERMINAL	リン青銅 PHOSPHOR BRONZE	△1



A-A
(NON-SCALE)

注記
NOTE :

- △ターミナル めっき仕様
TERMINAL PLATING
 金めっき: 0.38 μm MIN. (接点部)
 GOLD : 0.38 μm MIN. (CONTACT AREA)
 Tin: 1.0~2.5 μm. (半田付け部)
 Tin: 1.0~2.5 μm. (SOLDER AREA)
 ニッケルメッキ: 2.0 μm MIN. (下地めっき)
 NICKEL : 1.0 μm MIN. (UNDER PLATING)
- 2.推奨基板厚 : t=1.6
RECOMMENDED P.C.B. THICKNESS : t=1.6
- 3.適合プラグ : 53901-***4, 55222-***4, 55089-***4
APPLICABLE PLUG : 53901-***4, 55222-***4, 55089-***4
- △製品番号及びロットナンバー
MATERIAL NO. & LOT NO.

94	95.98	54526-1928	192
58	59.98	54526-1208	120
46	47.98	54526-0968	96
22	23.98	54526-0488	48
10	11.98	54526-0248	24
B	A	MATERIAL NO.	PIN

基板穴推奨寸法 (部品実装)

RECOMMENDED P.C.B.LAYOUT (COMPONENT SIDE)

DO NOT SCALE DRAWING

EC NO., DRWN: CH/K: APPR:				EC NO., DRWN: CH/K: APPR:				EC NO., DRWN: CH/K: APPR:				EC NO., DRWN: CH/K: APPR:				EC NO., DRWN: CH/K: APPR:				EC NO., DRWN: CH/K: APPR:				EC NO., DRWN: CH/K: APPR:				EC NO., DRWN: CH/K: APPR:				EC NO., DRWN: CH/K: APPR:											
MATERIAL																GENERAL TOLERANCES: (UNLESS SPECIFIED) — 公差				SCALE 2-1				DESIGN UNITS <input checked="" type="checkbox"/> mm <input type="checkbox"/> INCH				THIRD ANGLE PROJECTION				DIMENSIONS: <input type="checkbox"/> mm <input type="checkbox"/> INCH <input type="checkbox"/> mm <input checked="" type="checkbox"/> mm ONLY				SHT				REV			
FINISH																10 UNDER 未満 ±0.2				DRAWN BY & DATE Harvey Wang Sep.10/04				TITLE: "MFB" B/B CONN. (FB+) REC. ASS'Y 4ROWS DIP (LEAD FREE)				MATERIAL NO.				DRAWING NO.				SHEET NO.							
WIRE RANGE																10 OVER 以上 30 UNDER 未満 ±0.25				CHECKED BY & DATE Grate Ma Sep.10/04				MOLEX				SEE TABLE				SD-54526-004				1 OF 1							
INS. RANGE																30 OVER 以上 ±0.3				APPROVED BY & DATE				CAD FILENAME				54526003.S01				THIS DRAWING CONTAINS INFORMATION THAT IS PROPRIETARY TO MOLEX INCORPORATED AND SHOULD NOT BE USED WITHOUT WRITTEN PERMISSION.				SIZE B							
REV																ANGLE 角度 ±3°				MATERIAL NO. & LOT NO.				MODEL NO. : 54526-***8				EN-02J(097) MXJ-54															

54526003.S01