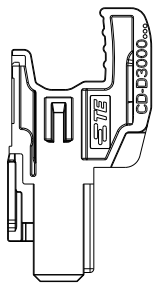
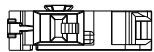
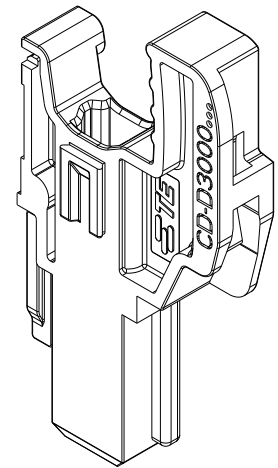
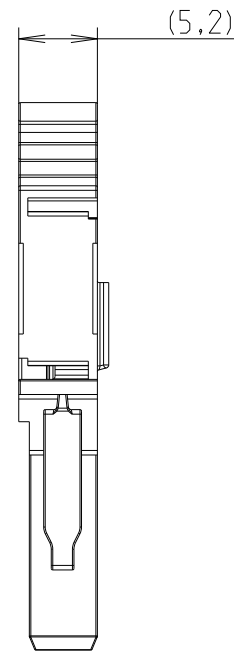
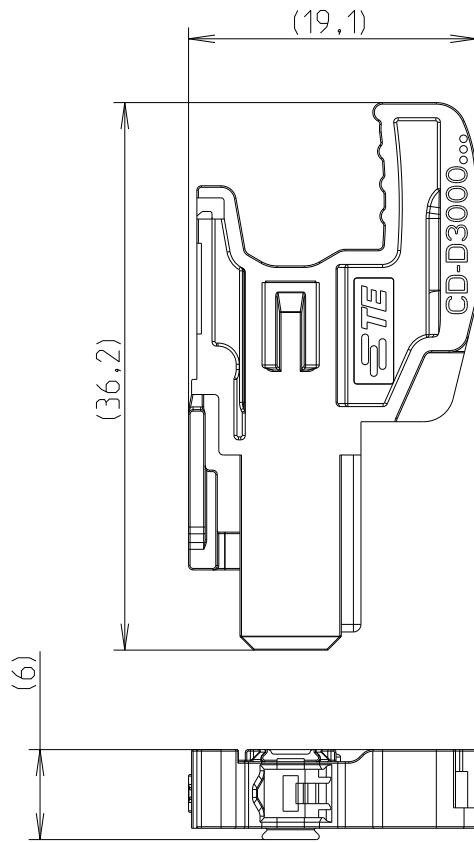


REVISIONS

P	LTR	DESCRIPTION	DATE	DWN	APVD
	3	First Released	03FEB2022		
	A	GTP	04 JUL 2022	VR	VR



© 2021 TE Connectivity. All Rights Reserved.

ECHELLE 1:1

DIMENSIONS:

mm

TOLERANCES UNLESS OTHERWISE SPECIFIED:

0 PLC	±
1 PLC	±0,1
2 PLC	±0,01
3 PLC	±0,005
4 PLC	±0,0001
ANGLES	±



DWN 04-Jul-22 09:24:45 AM  
Villard, Romain

CHK 04 JUL 2022  
Villard, Romain

APVD 04 JUL 2022  
Villard, Romain

PRODUCT SPEC

APPLICATION SPEC

WEIGHT 1,213

CUSTOMER DRAWING

MATERIAL PA66/6

FINISH -



TE Connectivity

NAME CD-D3000  
1SNK805758R0000

SIZE A 4 CAGE CODE 00779 DRAWING NO C-1SNP300130-0100

RESTRICTED TO

SCALE 2:1

SHEET 1 OF 1

REV A