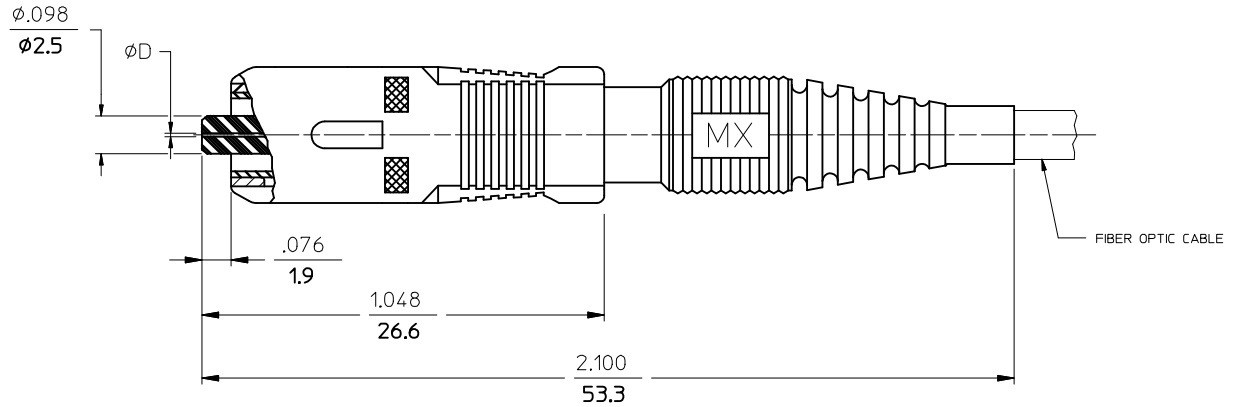
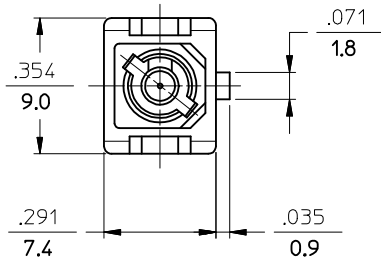


| CONNECTOR P/N | øD (µm) | FERRULE MATERIAL | BOOT COLOR | HOUSING COLOR | CONNECTOR TYPE | CABLE (mm) |
|---------------|---------|------------------|------------|---------------|----------------|------------|
| 106063-0000 | 127 | Zr | BLUE | BLUE | MULTIMODE | 3 |
| 106063-0100 | | | BEIGE | BEIGE | | |
| 106063-0060 | | LOW COST Zr | BLACK | BLACK | | |
| 106063-0099 | | | YELLOW | BLUE | | |
| 106063-0090 | | | BLACK | BLACK | | |
| 106063-0360 | 125.5 | Zr | BLACK | BLACK | SINGLE MODE | 2.4 |
| 106063-0070 | | | YELLOW | BLUE | MULTIMODE | 3 |
| 106063-2000 | | | BLACK | BLACK | | |
| 106063-2070 | BEIGE | BEIGE | | | | |
| 106063-3000 | 128 | Zr | BLACK | BLACK | MULTIMODE | 3 |
| 106063-3060 | | | BEIGE | BEIGE | | |
| 106063-3070 | | | BLACK | BLACK | | |

| CONNECTOR P/N | øD (µm) | FERRULE MATERIAL | BOOT COLOR | HOUSING COLOR | CONNECTOR TYPE | CABLE (mm) | |
|---------------|---------|------------------|-------------|---------------|----------------|-------------|---|
| 106063-4000 | 125 | Zr | YELLOW | BLUE | SINGLE MODE | 3 | |
| 106063-4100 | 125.25 | | BLACK | BLACK | | | |
| 106063-4070 | 125 | | YELLOW | BLUE | | | |
| 106063-5000 | 126 | | BLACK | BLACK | | | |
| 106063-5100 | | | BLACK | BLACK | | | |
| 106063-5070 | | | YELLOW | BLUE | | | |
| 106063-7000 | 127 | | BLACK | BLACK | MULTIMODE | 2.4 | |
| 106063-7070 | | | YELLOW | BLUE | | | |
| 106063-0300 | | | BLACK | BLACK | | | |
| 106063-0310 | 125 | | LOW COST Zr | YELLOW | BLUE | SINGLE MODE | 3 |
| 106063-4300 | | | | YELLOW | BLUE | | |
| 106063-5300 | | | | YELLOW | BLUE | | |
| 106063-5310 | 126 | | LOW COST Zr | YELLOW | BLUE | SINGLE MODE | 3 |
| 106063-5099 | | | | YELLOW | BLUE | | |



NOTES:

1. ALL DIMENSIONS ARE FOR REFERENCE ONLY.

△ P/N 106063-0090, P/N 106063-5100, P/N 106063-0100, P/N 106063-0310 AND P/N 106063-5310 ARE BULK PACKED IN QUANTITIES OF 100 PCS.

| | | | | | | | |
|---|-------------------------------|--|-----------------------|---------------------------------|---|----------------------------------|---------------------------------------|
| ENTER DESCRIPTION EC NO: MF-2017-0132 DRWIN:MANUAPPARE 2016/11/04 CHKD: IG/IMIN APPR: IG/IMIN 2016/11/16 | QUALITY SYMBOLS ▽=0 ▽=0 | GENERAL TOLERANCES (UNLESS SPECIFIED) | | DIMENSION STYLE IN/MM | SCALE 5:1 | DESIGN UNITS INCH | THIRD ANGLE PROJECTION |
| | | 4 PLACES ± --- ± --- 3 PLACES ± --- ± --- 2 PLACES ± --- ± --- 1 PLACE ± --- ± --- 0 PLACE ± --- ± --- | DRAWN BY RPACIFIC1 | DATE 2005/12/22 | TITLE SC CONNECTOR (ONE PIECE DESIGN) | MATERIAL NO. SEE TABLE | DOCUMENT NO. SD-106063-XXX0 |
| DRAFT WHERE APPLICABLE MUST REMAIN WITHIN DIMENSIONS | | APPROVED BY DATE | | molex | | | |
| THIS DRAWING CONTAINS INFORMATION THAT IS PROPRIETARY TO MOLEX INCORPORATED AND SHOULD NOT BE USED WITHOUT WRITTEN PERMISSION | | | | | | | |