

52291-1 ✓ ACTIVE

PLASTI-GRIP

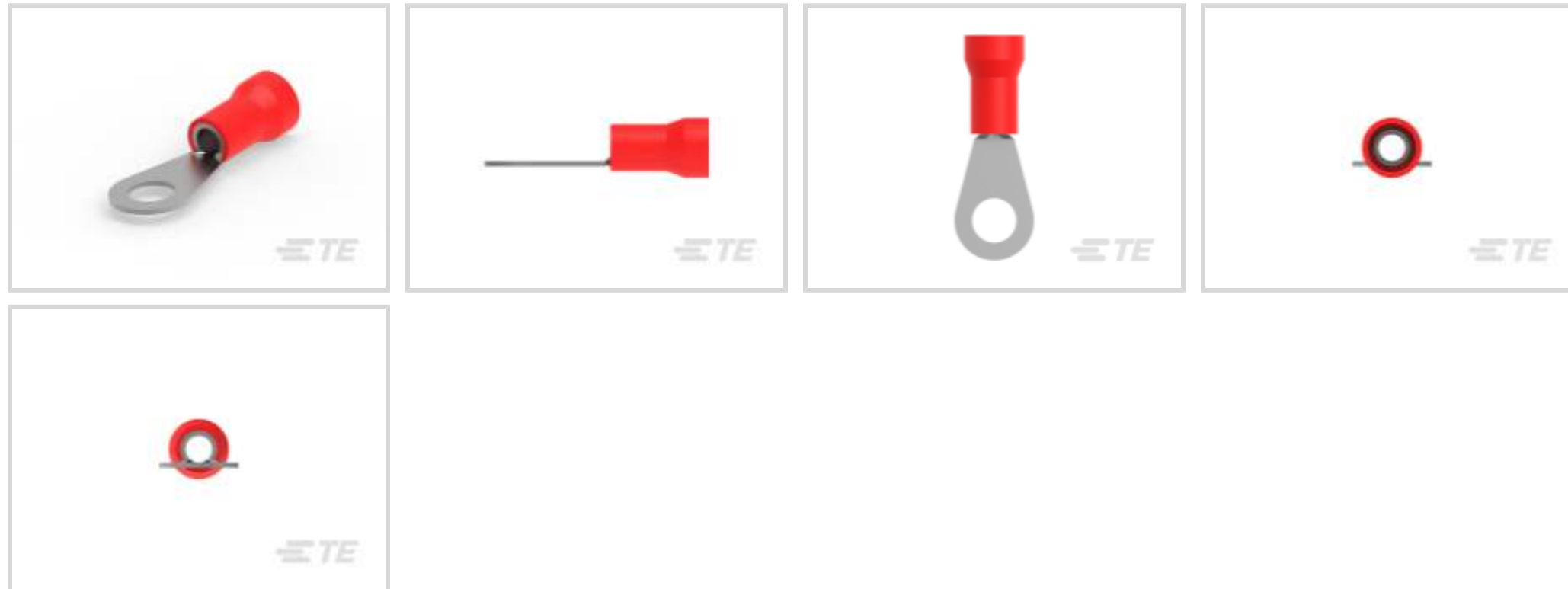
TE Internal #: 52291-1

Ring Terminals & Spade Terminals, Ring Tongue, 8 AWG Wire Size,  
8 mm<sup>2</sup> Wire Size, 13100 – 20800 CMA Wire Size, Stud Size 3/8,  
PLASTI-GRIP

[View on TE.com >](#)



Terminals & Splices > Ring Terminals & Spade Terminals



Ring & Spade Terminal Type: **Ring Tongue**

Wire Size: **13100 – 20800 CMA**

Stud Size: **3/8**

### Features

#### Product Type Features

Stud Size	3/8
Sealable	No
Wire Insulation Support Retention Type	Insulation Support

#### Configuration Features

Number of Holes	1
-----------------	---

#### Electrical Characteristics

Voltage Rating	600 V
----------------	-------

#### Body Features

Insulation Sleeve Color	Red
Stripe Color	Red

#### Contact Features

Ring & Spade Terminal Type	Ring Tongue
Barrel Type	Closed
Terminal Orientation	Straight
Terminal Plating Material	Tin



### Mechanical Attachment

Wire Insulation Support	With
-------------------------	------

### Dimensions

Wire Size	13100 – 20800 CMA
Stud Diameter	9.53 mm, 9.91 mm[.39 in]
Tongue Thickness	.79 mm[.031 in]
Product Length	43.08 mm[1.696 in]
Compatible Insulation Diameter (Max)	9.14 mm[.36 in]
Compatible Insulation Diameter Range	9.14 mm[.36 in]

### Usage Conditions

Insulation Option	Partially Insulated
Operating Temperature Range	105 °C[221 °F]

### Operation/Application

Compatible With Wire Base Material	Copper
Compatible With Wire Plating Material	Tin

### Industry Standards

Government Qualified Terminal	No
-------------------------------	----

### Packaging Features

Packaging Quantity	100
Packaging Method	Loose Piece

### Product Compliance

[For compliance documentation, visit the product page on TE.com>](#)

EU RoHS Directive 2011/65/EU	Compliant
EU ELV Directive 2000/53/EC	Compliant
China RoHS 2 Directive MIIT Order No 32, 2016	No Restricted Materials Above Threshold
EU REACH Regulation (EC) No. 1907/2006	Current ECHA Candidate List: JUNE 2023 (235) Candidate List Declared Against: JUNE 2023 (235) Does not contain REACH SVHC
Halogen Content	Not Low Halogen - contains Br or Cl > 900 ppm.
Solder Process Capability	Not applicable for solder process capability



Product Compliance Disclaimer

This information is provided based on reasonable inquiry of our suppliers and represents our current actual knowledge based on the information they provided. This information is subject to change. The part numbers that TE has identified as EU RoHS compliant have a maximum concentration of 0.1% by weight in homogenous materials for lead, hexavalent chromium, mercury, PBB, PBDE, DBP, BBP, DEHP, DIBP, and 0.01% for cadmium, or qualify for an exemption to these limits as defined in the Annexes of Directive 2011/65/EU (RoHS2). Finished electrical and electronic equipment products will be CE marked as required by Directive 2011/65/EU. Components may not be CE marked. Additionally, the part numbers that TE has identified as EU ELV compliant have a maximum concentration of 0.1% by weight in homogenous materials for lead, hexavalent chromium, and mercury, and 0.01% for cadmium, or qualify for an exemption to these limits as defined in the Annexes of Directive 2000/53/EC (ELV). Regarding the REACH Regulation, the information TE provides on SVHC in articles for this part number is based on the latest European Chemicals Agency (ECHA) 'Guidance on requirements for substances in articles' posted at this URL: <https://echa.europa.eu/guidance-documents/guidance-on-reach>


### Compatible Parts



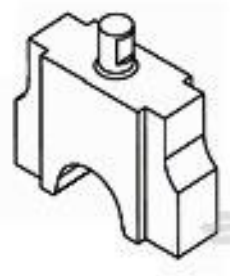
TE Part # 47820  
HYP8 TERMINYL 8AWG DIE SET



TE Part # 1490597-1  
HYP10 TERMINYL 8AWG DIE SET



TE Part # 1490534-1  
HYP10 PLASTI-GRIP 8AWG DIE SET



TE Part # 1901006-1  
ASSEMBLY, TERMINYL DIE #8



TE Part # 48752-1  
HYP8 PLASTI-GRIP 8AWG 69051 DIE SET



TE Part # 48858-1  
HYP8/10 PLASTI-GRIP/10 8AWG DIE SET




TE Part # 69959  
HHHT AMPLI-BOND PG 8 ASSY



TE Part # 601129-2  
HAND TOOL (A.S.I.)


### Also in the Series | PLASTI-GRIP



Compression Connectors(3)



Crimp Wire Pins, Tabs & Ferrules(25)



Ring Terminals & Spade Terminals(534)



Splices(49)

### Customers Also Bought



TE Part #794772-6  
06P MINI UMNL SEAL,DIE CUT



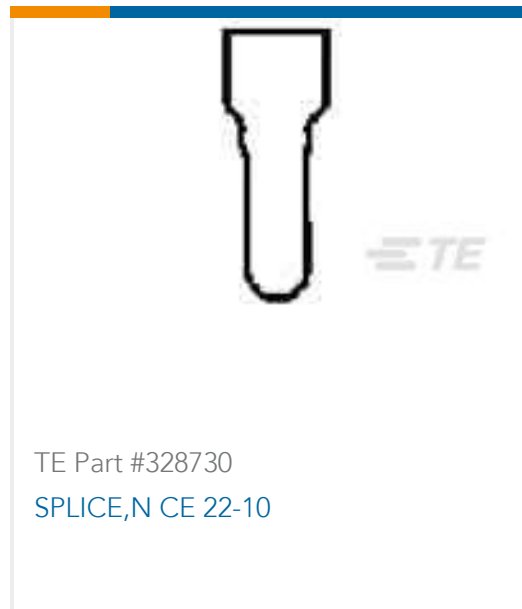
TE Part #794772-8  
08P MINI UMNL SEAL,DIE CUT



TE Part #52957-1  
TERMINAL,PG SPR SPD 16-14 10



TE Part #53247-2  
TERMINAL,PG SPR SPD 12-10 8



TE Part #328730  
SPLICE,N CE 22-10



TE Part #284865-3  
DUOPLUG side lock., female con



TE Part #8-1633383-6  
ANVIL, COMBINATION



TE Part #501937-000  
IR-1900-STD-HTR-KTC

## Documents

### Product Drawings

#### TERMINAL R PG 8 3/8

English

### CAD Files

#### Customer View Model

[ENG\\_CVM\\_CVM\\_52291-1\\_W.2d\\_dxf.zip](#)

English

#### 3D PDF

3D

#### Customer View Model

[ENG\\_CVM\\_CVM\\_52291-1\\_W.3d\\_igs.zip](#)

English

#### Customer View Model

[ENG\\_CVM\\_CVM\\_52291-1\\_W.3d\\_stp.zip](#)

English

By downloading the CAD file I accept and agree to the [Terms and Conditions](#) of use.

### Product Specifications

#### Application Specification

English

### Instruction Sheets

#### Instruction Sheet (U.S.)

English

### Agency Approvals

#### UL Report



English

[UL Report](#)

English