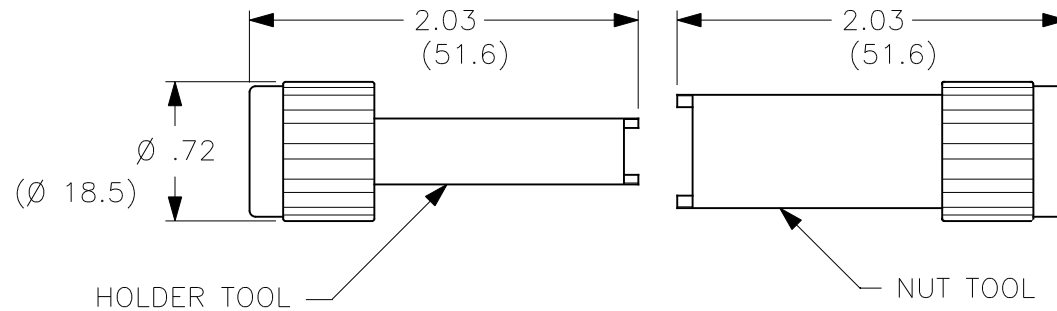


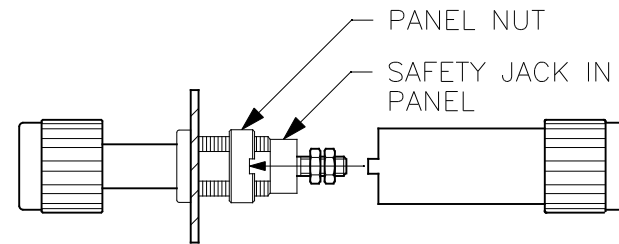
THIS IS ISSUED IN STRICT CONFIDENCE THAT IT IS NOT USED AS A BASIS FOR MANUFACTURE OR SALE AND THAT IT IS NOT COPIED, REPRINTED OR DISCLOSED TO A THIRD PARTY EITHER WHOLLY OR IN PART WITHOUT THE PRIOR WRITTEN CONSENT OF CAL TEST ELECTRONICS, INC.

REVISIONS			
REV.	DESCRIPTIONS	DATE	APPROVED
-	CLASS A RELEASED	7/12/99	
A	ADDED CAGE CODE	6/18/02	

- ASSEMBLY TOOLS, TWO (2) PIECES – HOLDER TOOL AND NUT TOOL.
- SPECIFICATIONS:
 BODY: BRASS, NICKEL PLATED.
 KNOB: THERMOPLASTIC, WHITE.



MODEL NUMBER
CT2246A



APPLICATION – USAGE (1:2 SCALE)

THIRD ANGLE PROJECTION		UNLESS OTHERWISE SPECIFIED DIMENSIONS ARE IN INCHES TOLERANCES ARE: FRACTIONS DECIMALS ± 1/32 .XX ± .02 .XXX ± .005 DO NOT SCALE DRAWING	CONTRACT NO.		Cal Test Electronics 22820 Savi Ranch Parkway Yorba Linda, CA 92887-4610			
			APPROVALS	DATE	TITLE			
MATERIAL		DRAWN	WDH	7/12/99	ASSEMBLY TOOLS 4 mm SAFETY JACKS			
FINISH		CHECKED			SIZE	CAGE CODE	DWG. NO.	REV.
NEXT ASSY	USED ON	ENGR.			A	43F45	P2246A0	A
APPLICATION		DESIGN ACTIVITY			SCALE	1:1	SHEET	1 OF 1