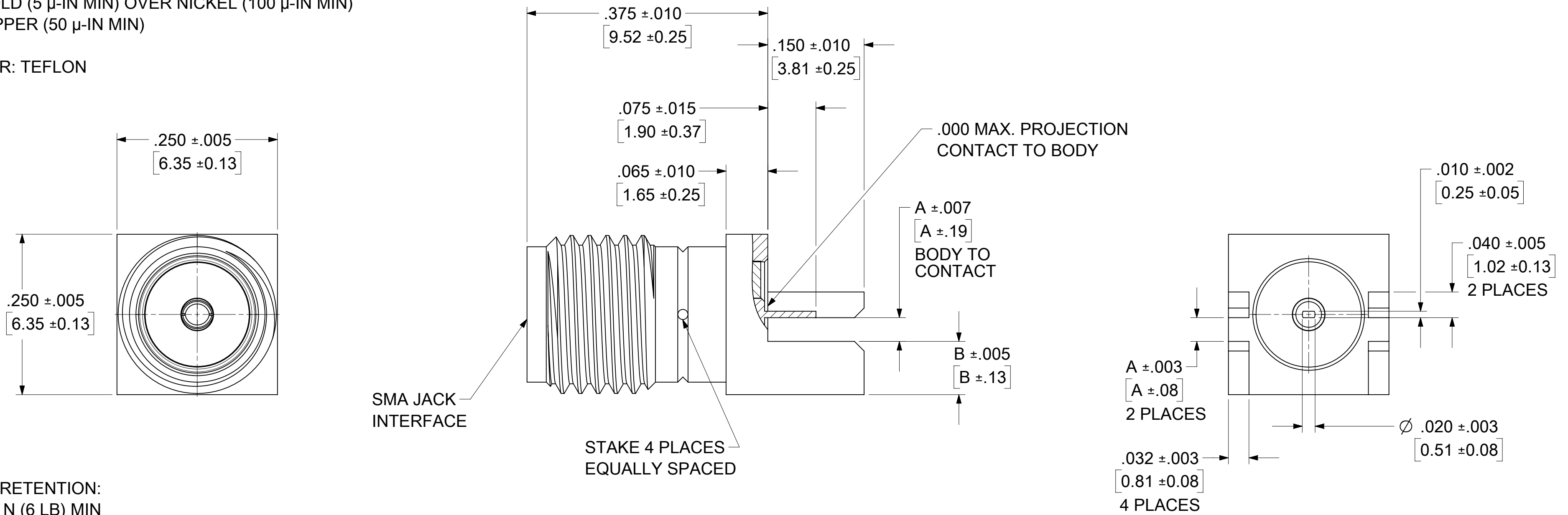
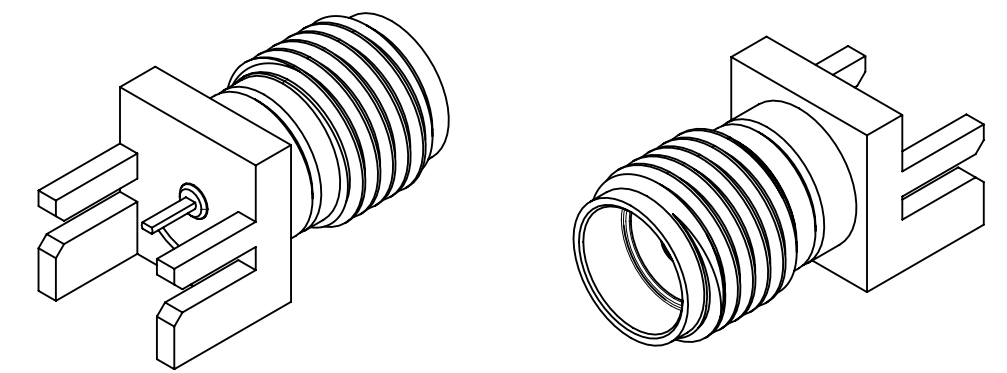


MATERIALS AND FINISHES:

BODY: BRASS
 73251-4430, -4431, -4432
 FINISH GOLD (10 μ-IN MIN) OVER NICKEL (100 μ-IN MIN)
 OVER COPPER (50 μ-IN MIN)
 73251-4433
 FINISH GOLD (1 μ-IN MIN) OVER NICKEL (100 μ-IN MIN)
 OVER COPPER (50 μ-IN MIN)

CONTACT: BERYLLIUM COPPER
 73251-4430, -4431, -4432
 FINISH GOLD (10 μ-IN MIN) OVER NICKEL (50 μ-IN MIN)
 OVER COPPER (50 μ-IN MIN)
 73251-4433
 FINISH GOLD (5 μ-IN MIN) OVER NICKEL (100 μ-IN MIN)
 OVER COPPER (50 μ-IN MIN)

INSULATOR: TEFLON



CONTACT RETENTION:
 AXIAL 26.7 N (6 LB) MIN
 TORQUE 2.82 N-CM (4 IN-OZ) MIN

UL FILE NUMBER E107635

73251-4433	.048	1.22	.072	1.83	BY TRAY, PER 89542-0040
73251-4432	.068	1.73	.052	1.32	
73251-4431	.048	1.22	.072	1.83	
73251-4430	.037	0.94	.083	2.11	
PART NO.	IN	MM	IN	MM	PACKAGING
DIM (X)	DIM A		DIM B		

MIL-STD-348A, FIG.310.2	SMA JACK INTERFACE
PS-89675-346	PRODUCT SPECIFICATION
SPECIFICATION	DESCRIPTION

FUNCTIONAL SYMBOLS	THIS DRAWING CONTAINS INFORMATION THAT IS PROPRIETARY TO MOLEX ELECTRONIC TECHNOLOGIES, LLC AND SHOULD NOT BE USED WITHOUT WRITTEN PERMISSION		CURRENT REV DESC: ADD PKG NOTE PER EWR15242-A		molex					
	FA = 0	IN/MM NTS								
GENERAL TOLERANCES (UNLESS SPECIFIED)	ANGULAR TOL ± 2.0°		EC NO: 709659		SMA JACK, PCB END LAUNCH TAB CONTACT, EWR-4636 SMA-J/PCB					
	FC = 0	4 PLACES ±	DRWN: CWEI02 2022/06/06							
DIVISIONAL SYMBOLS	DRAFT WHERE APPLICABLE MUST REMAIN WITHIN DIMENSIONS		CHK'D: YCHENG 2022/06/15		PRODUCT CUSTOMER DRAWING					
	FD = 0	3 PLACES ±	APPR: YCHENG 2022/06/15							
INITIAL REVISION:			DRWN: JLEE02 2011/03/07		DOCUMENT NUMBER		DOC TYPE		DOC PART	REVISION
THIRD ANGLE PROJECTION			APPR: JWIENER 2011/04/11		SD-73251-443		PSD		001	A2
DRAWING			SERIES		MATERIAL NUMBER		CUSTOMER		SHEET NUMBER	
C-SIZE			73251		SEE TABLE		GENERAL MARKET		1 OF 1	