

AI 50 -20 OL - Ferrule

3201178

<https://www.phoenixcontact.com/us/products/3201178>



Please be informed that the data shown in this PDF document is generated from our online catalog. Please find the complete data in the user documentation. Our general terms of use for downloads are valid.

Ferrule, sleeve length: 20 mm, length: 36 mm, color: olive



Your advantages

- The ferrules with plastic sleeve are made from soft tin-plated electrolytic copper
- The AI 0,25... can also be used to process 0.14 mm² conductors
- In terms of dimensions, they correspond to DIN 46228-4: 1990-09

Commercial data

Item number	3201178
Packing unit	1 pc
Minimum order quantity	50 pc
Sales key	BH34
Product key	BH3411
Catalog page	Page 483 (C-3-2019)
GTIN	4017918094713
Weight per piece (including packing)	3 g
Weight per piece (excluding packing)	3 g
Customs tariff number	85369010
Country of origin	DE

Technical data

Product properties

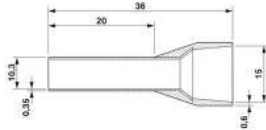
Product type	Cable end sleeve
Conductor category	stranded conductors, class 2, 5, 6 / B, C, K, M

Connection data

Conductor connection

Conductor cross section flexible max.	50 mm ²
Conductor cross section AWG max.	1/0
Stripping length	25 mm

Dimensions

Dimensional drawing	
Length	36 mm
Sleeve length	20 mm
Maximum stripping length	25 mm
Ferrule diameter	10.3 mm
Sleeve wall thickness	0.35 mm
Insulating collar thickness	0.6 mm
Inner dimensions of the insulating collar	15 mm

Material specifications

Color	olive
Material	CU-DHP
Flammability rating according to UL 94	HB
Coating	tin-plated (galvanic)
Components	free from silicone and halogen

Mechanical properties

Technical data

Sleeve length	20 mm
---------------	-------

Environmental and real-life conditions

Ambient conditions

Permanent temperature	105 °C (-40 °C no load / 0 °C dynamic load)
Short-term temperature	120 °C

AI 50 -20 OL - Ferrule

3201178

<https://www.phoenixcontact.com/us/products/3201178>



Standards and regulations

Design according to standard

Special color

AI 50 -20 OL - Ferrule

3201178

<https://www.phoenixcontact.com/us/products/3201178>



Classifications

ECLASS

ECLASS-11.0	27400201
ECLASS-13.0	27400201
ECLASS-12.0	27400201

ETIM

ETIM 8.0	EC000005
----------	----------

UNSPSC

UNSPSC 21.0	27121700
-------------	----------

AI 50 -20 OL - Ferrule

3201178

<https://www.phoenixcontact.com/us/products/3201178>



Environmental product compliance

China RoHS	Environmentally friendly use period: unlimited = EFUP-e
	No hazardous substances above threshold values

Phoenix Contact 2023 © - all rights reserved
<https://www.phoenixcontact.com>

Phoenix Contact USA
586 Fulling Mill Road
Middletown, PA 17057, United States
(+717) 944-1300
info@phoenixcon.com