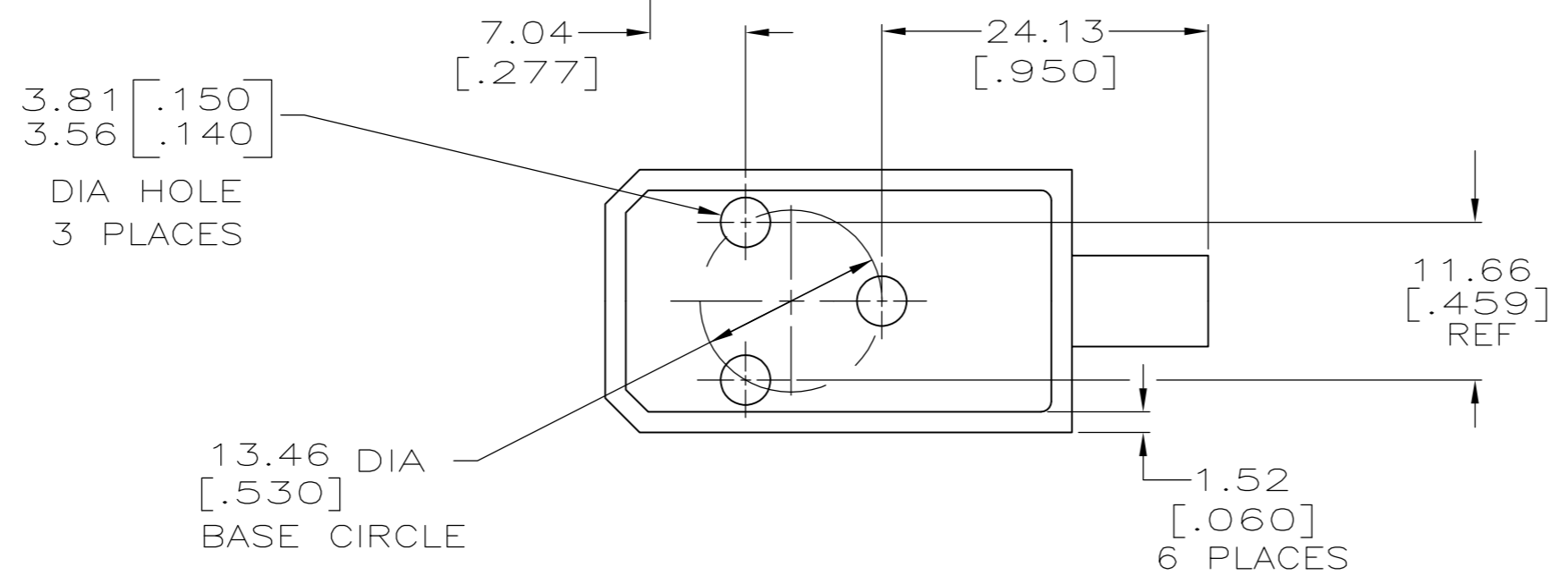
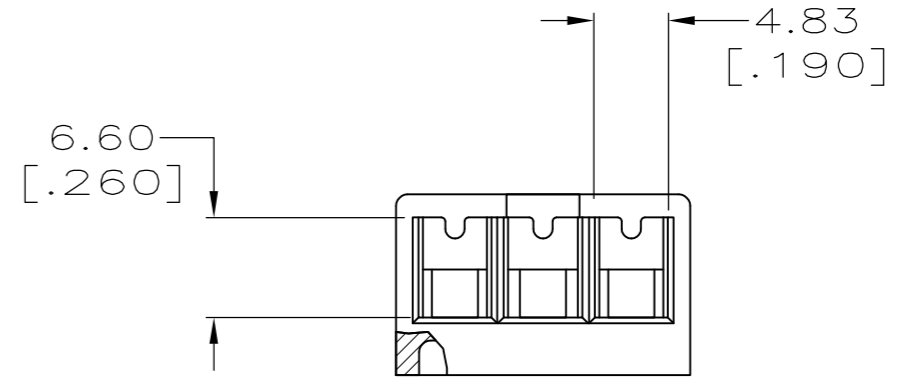
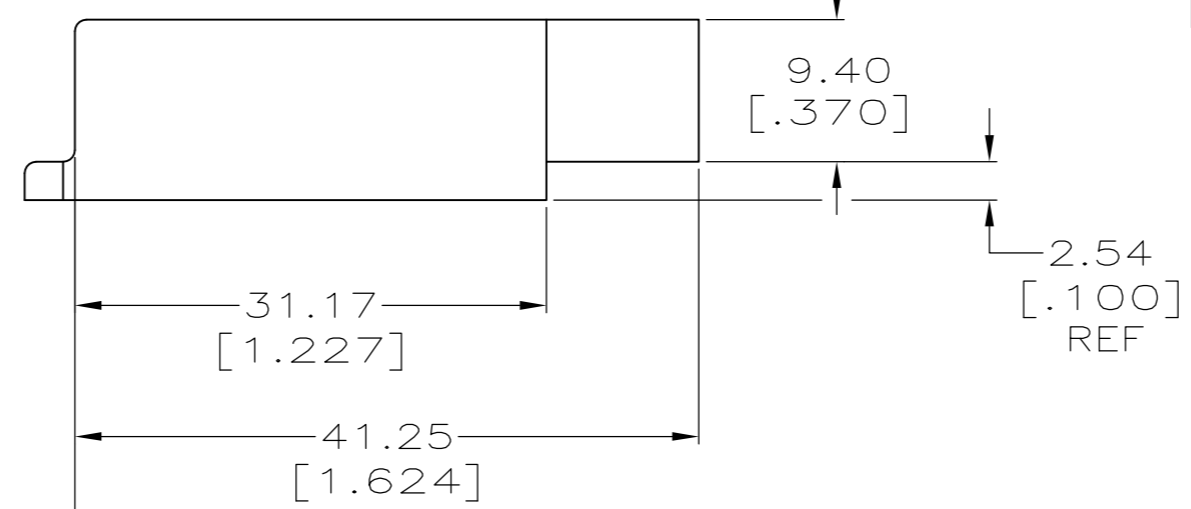
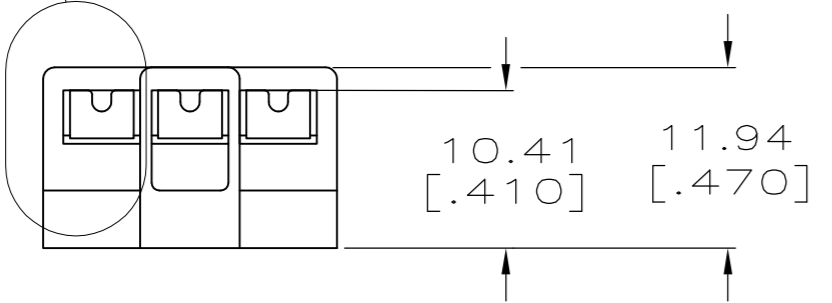
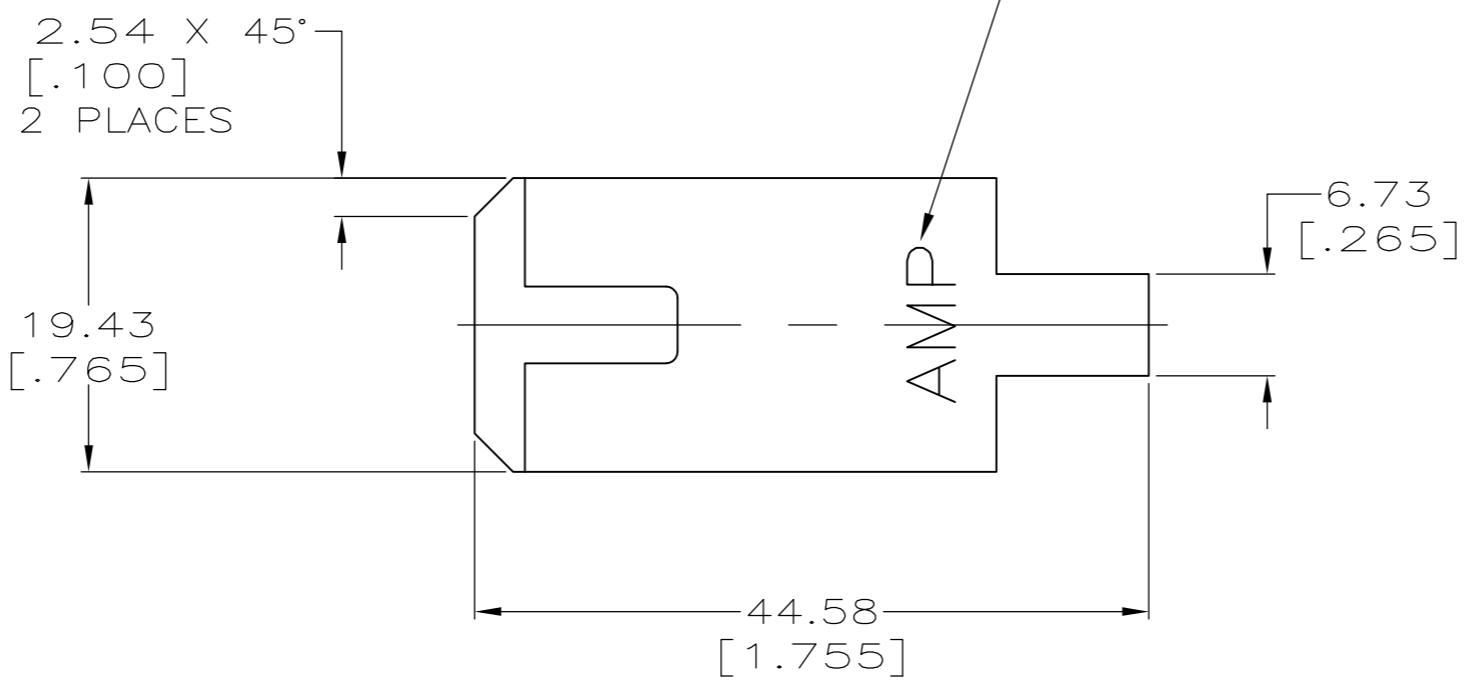
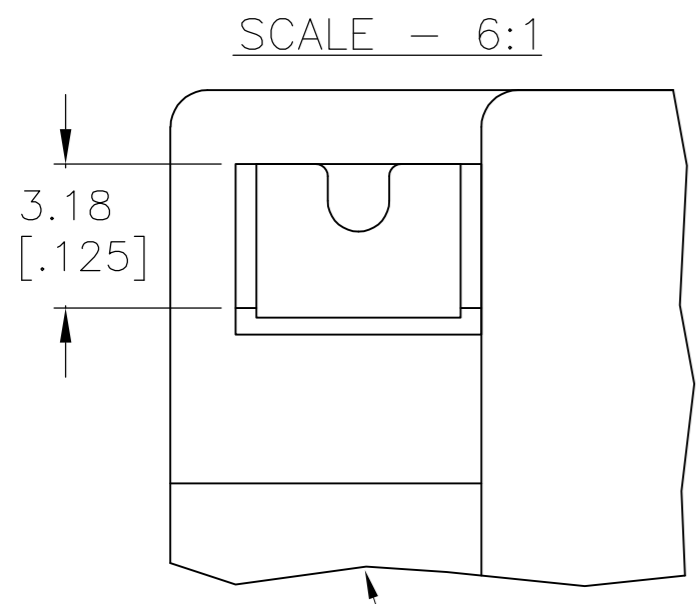


THIS DRAWING IS UNPUBLISHED. RELEASED FOR PUBLICATION  
 © COPYRIGHT BY TYCO ELECTRONICS CORPORATION. ALL RIGHTS RESERVED.

LOC	DIST	REVISIONS			
P	LTR	DESCRIPTION	DATE	DWN	APVD
AF	50				
		REVISED PER ECR-09-006852	21APR10	HMR	GJ

- 1 HOUSING ACCEPTS 3.18[.125] DIA CLUSTER PIN RECEPTACLES
- 2 AMP OR TE LOGO LOCATED ON TOP OR BOTTOM SURFACE OF HOUSING.



360051

360051-1  
PART NUMBER

THIS DRAWING IS A CONTROLLED DOCUMENT.		DWN SCOTT URICH 28JUL98	Tyco Electronics Corporation Harrisburg, PA 17105-3608	
DIMENSIONS: mm [INCHES]		CHK MICHAEL S. FEHER 03AUG98	NAME	
TOLERANCES UNLESS OTHERWISE SPECIFIED:		APVD DENNY SCHWENK 17AUG98	PRODUCT SPEC	
0 PLC ± -		108-2008		
1 PLC ± -		APPLICATION SPEC		
2 PLC ± 0.25 [0.010]		114-2019		
3 PLC ± -		WEIGHT	SIZE	CAGE CODE
4 PLC ± -		-	A2	00779
ANGLES ± -		DRAWING NO		RESTRICTED TO
FINISH		C=360051		-
PBT UNFILLED		CUSTOMER DRAWING		SCALE 2:1 SHEET 1 OF 1 REV L