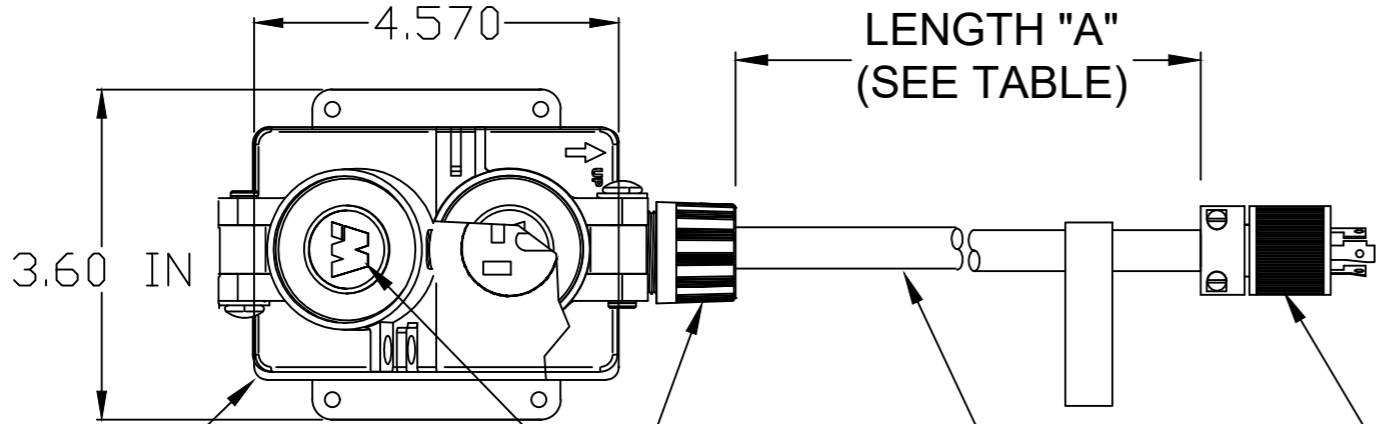
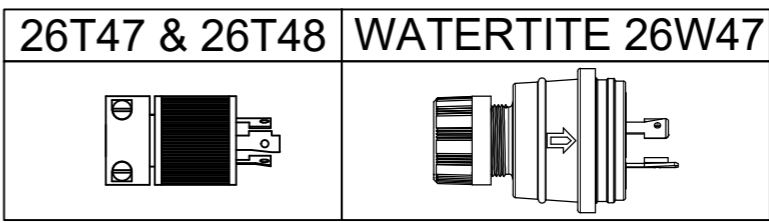
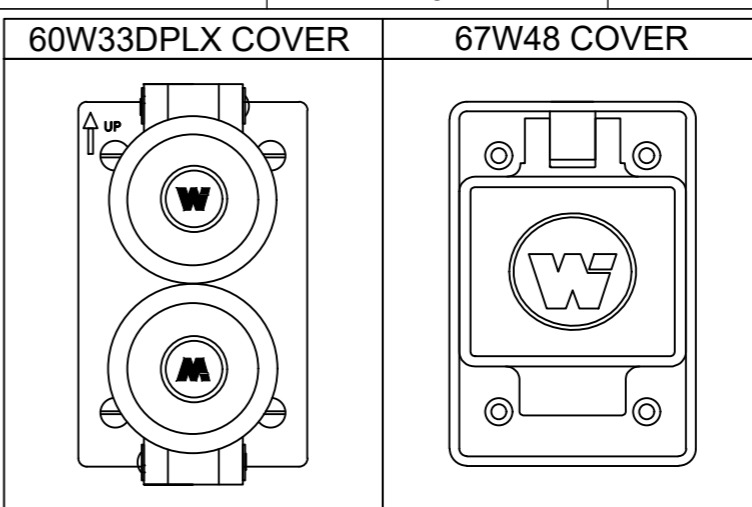


PART #	QUOTE #	DESCRIPTION	LENGTH "A"	PLUG #	RECEPTACLE #
1301370352	T201738622-5	DROP CORD, FD BOX, F3 MAX-LOC, PLUG, 6.56'	6.56 FEET (2 METERS)	26T47	60W33DPLX
1301370357	T201844263-3	DROP CORD, FD BOX, F3 MAX-LOC, WATERTITE PLUG, 17' 6"	17 FEET 6 INCH	26W47	60W33DPLX
1301370358	T201844299-9	DROP CORD, FD BOX, F3 MAX-LOC, PLUG, 15' 5"	15 FEET 5 INCH	26T47	60W33DPLX
1301370359	T201844299-10	DROP CORD, FD BOX, L6-20R, F3 MAX-LOC, PLUG, 15' 5"	15 FEET 5 INCH	26T48	67W48



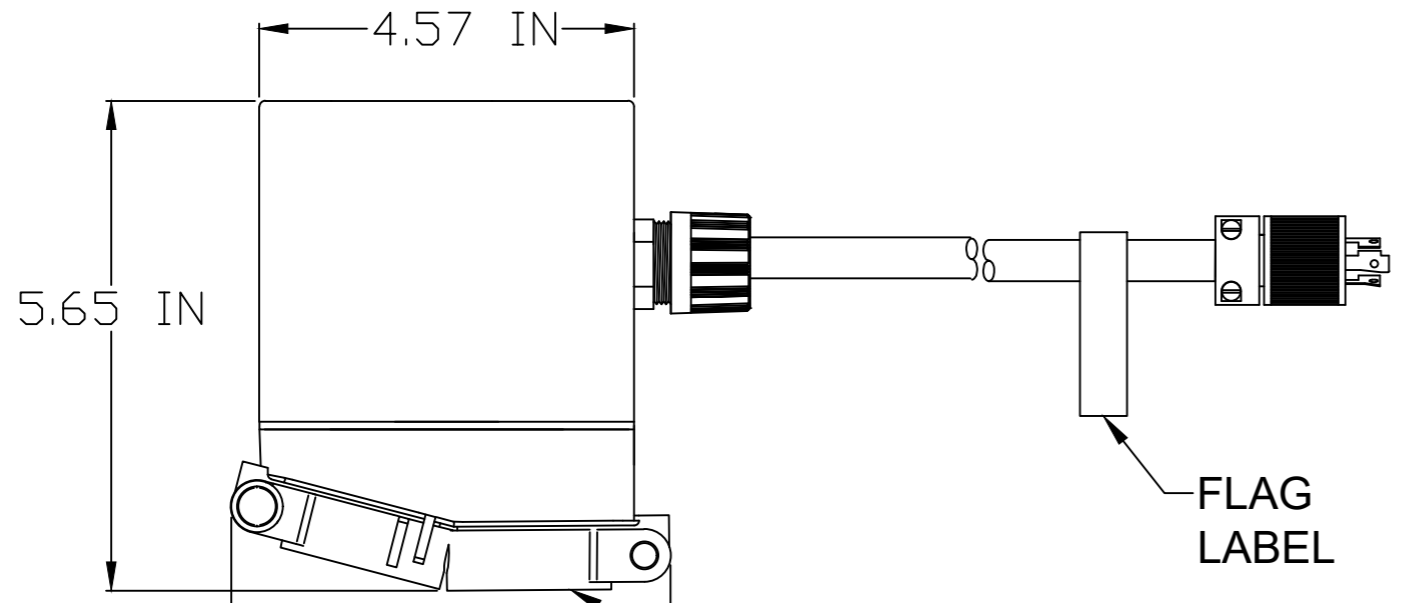
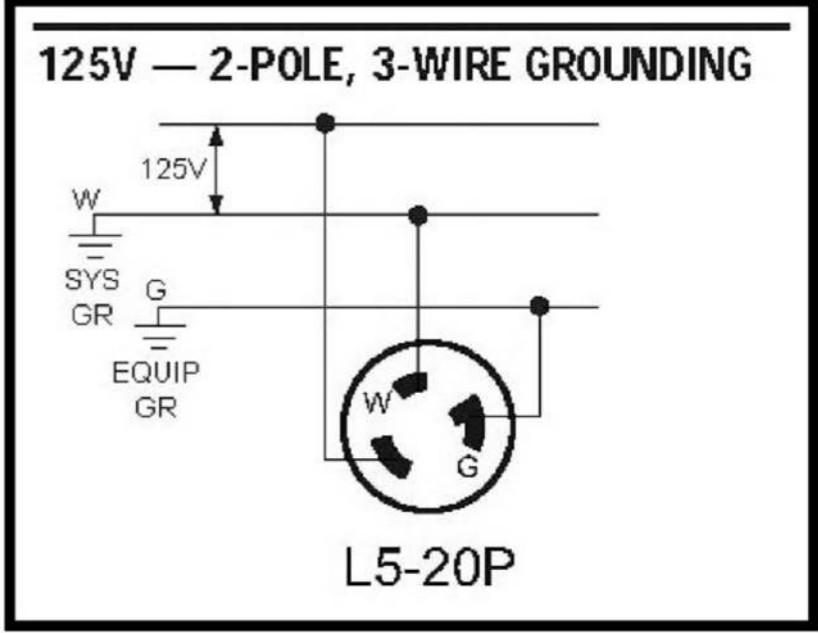
FD BOX
GLASS-FILLED
POLYESTER
YELLOW
P/N 453CR

20A/125V
5-20R DUPLEX
RECEPTACLE
NYLON SHOWN
SEE TABLE

F3 MAX-LOC
STRAIN RELIEF
CONNECTOR

#12-3 SOW
CORD
BLACK

20A 125V
L5-20P PLUG
NYLON
P/N 26T47 SHOWN
SEE TABLE



DUPLEX FLIP LID ASSEMBLY
RUBBER GROMMET
& POLYCARBONATE LID
YELLOW
P/N 60W33DPLX SHOWN
SEE TABLE

FUNCTIONAL SYMBOLS $F_A=0$ $F_C=0$ $F_P=0$ DIVISIONAL SYMBOLS	THIS DRAWING CONTAINS INFORMATION THAT IS PROPRIETARY TO MOLEX ELECTRONIC TECHNOLOGIES, LLC AND SHOULD NOT BE USED WITHOUT WRITTEN PERMISSION											
	DIMENSION UNITS		SCALE		CURRENT REV DESC: REMOVED OBSOLETE PART NUMBER AS PER PCN#509987.						molex DROP CORD - 1 PHASE FD BOX #12-3 CORD, PLUG	
	INCH		NTS		EC NO: 693623							
	GENERAL TOLERANCES (UNLESS SPECIFIED)										DRWN: SANTHN 2021/11/22 CHK'D: SANTHN 2021/12/28 APPR: GGA 2022/03/30	
4 PLACES		±---		±---		INITIAL REVISION:						
3 PLACES		±---		±---		DRWN: WLEUNG 2016/11/16						
2 PLACES		±---		±---		APPR: HKNEELAN 2016/11/28						
1 PLACE		±---		±---		DRAFT WHERE APPLICABLE MUST REMAIN WITHIN DIMENSIONS						
0 PLACES		±---		±---		THIRD ANGLE PROJECTION		DRAWING		SERIES		
ANGULAR TOL ± --- °						B-SIZE		130137		MATERIAL NUMBER		
								SEE TABLE		CUSTOMER		
								RUBB BLDG SYS		SHEET NUMBER		
								KENTUCKY		1 OF 1		