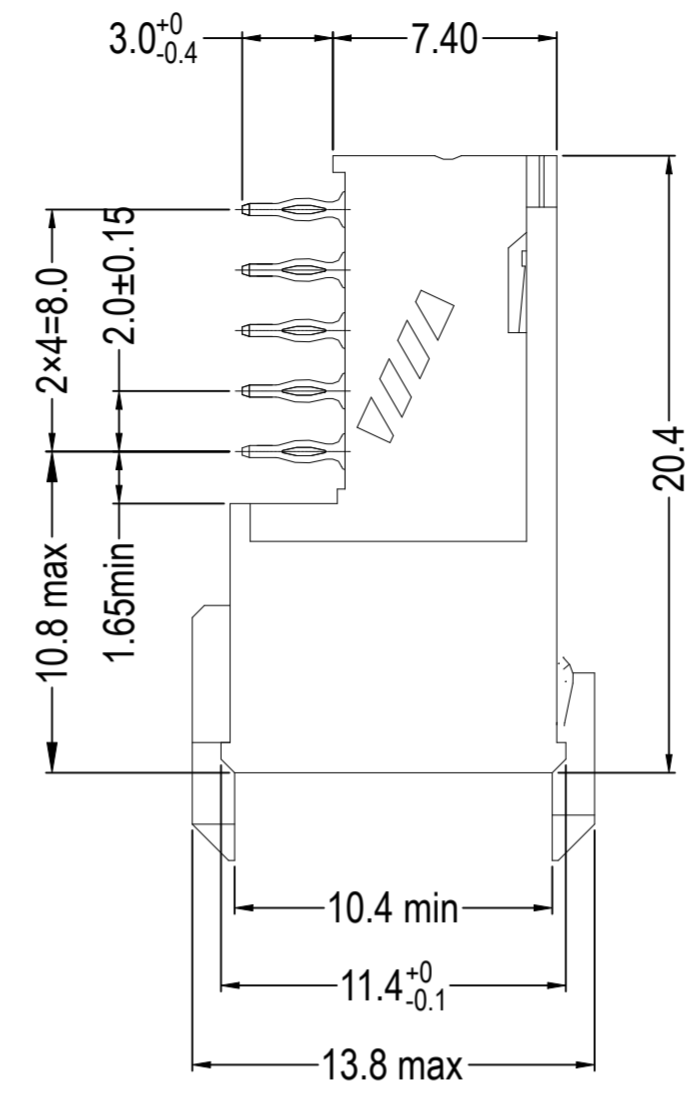
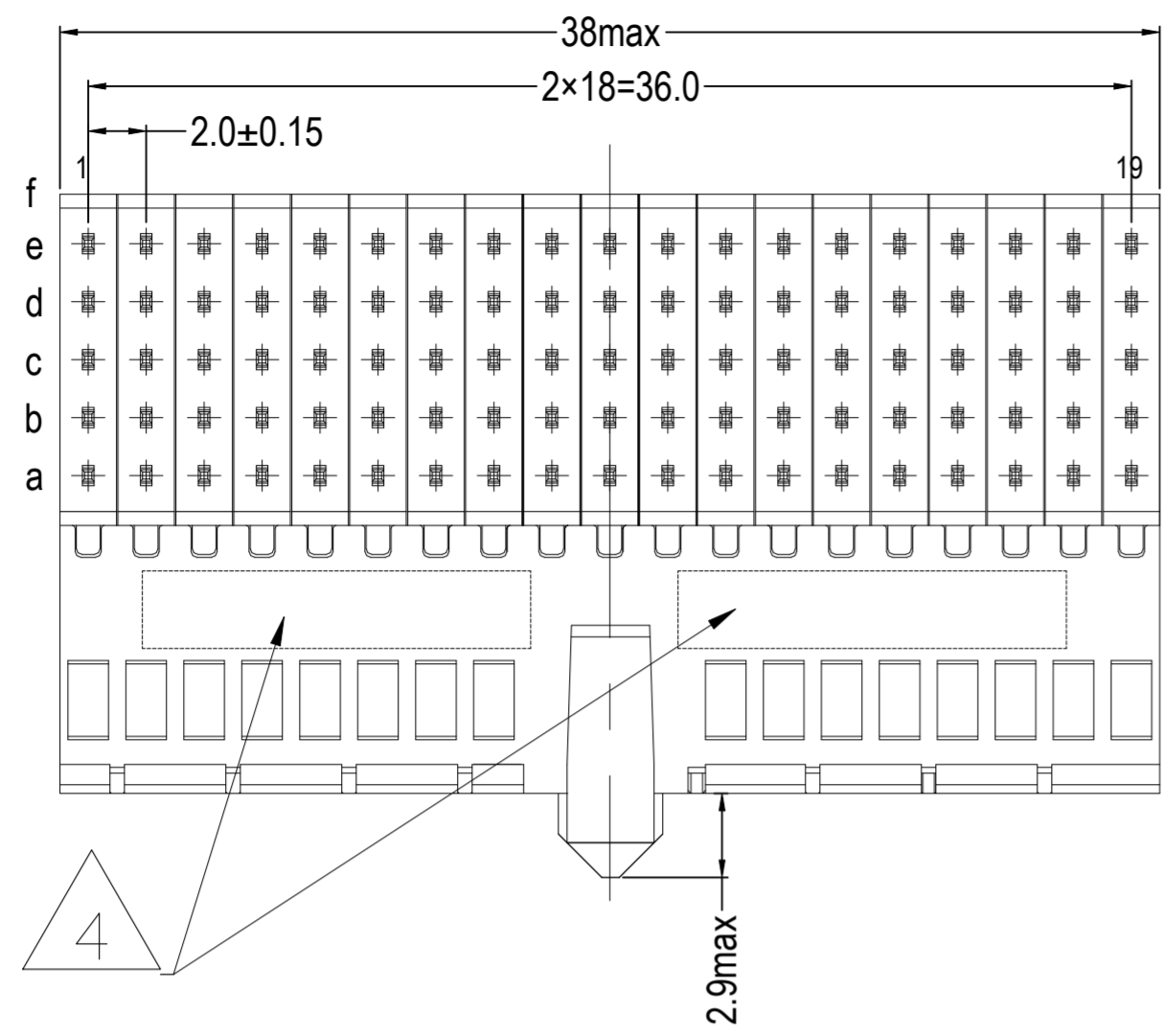
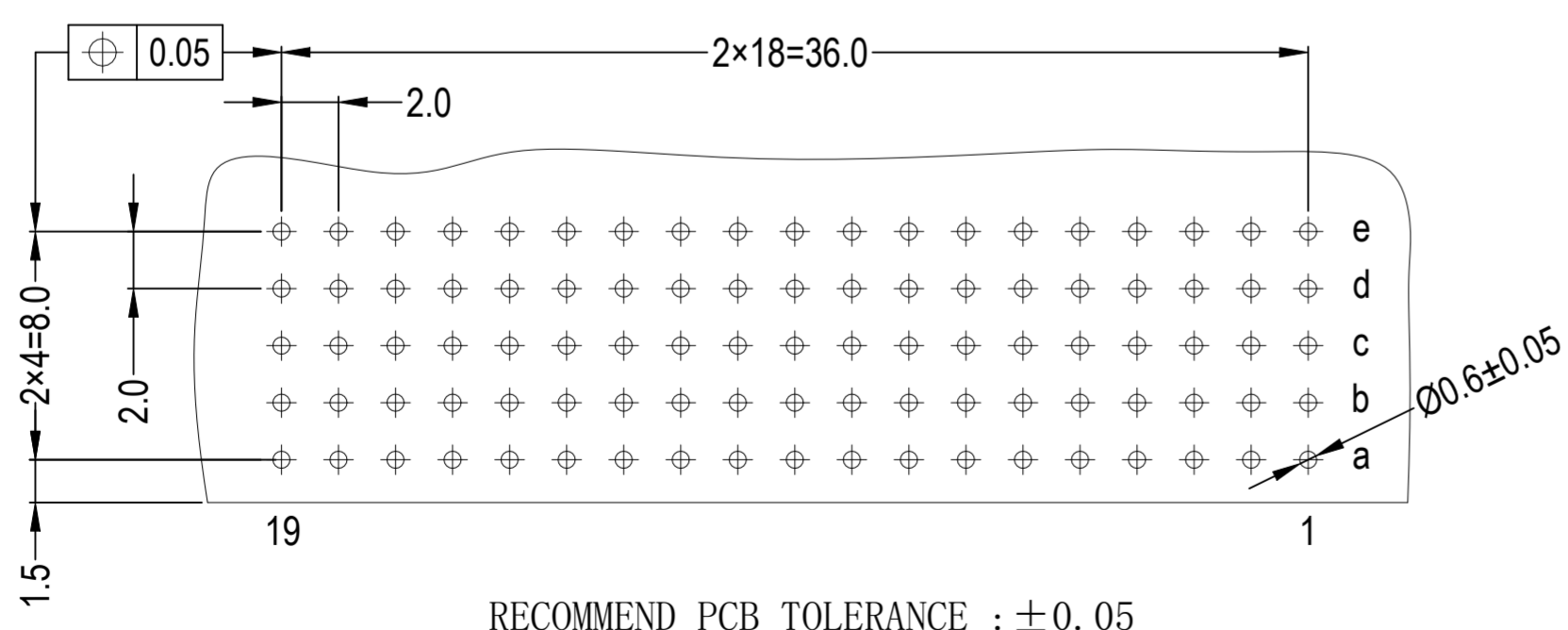
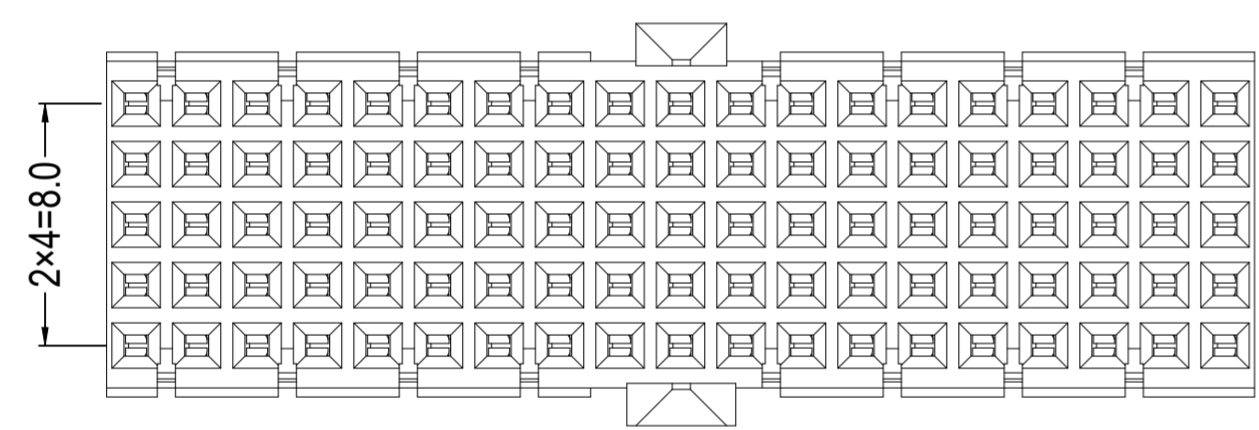


REVISIONS					
P	LTR	DESCRIPTION	DATE	DWN	APVD
A		INITIAL DRAWING	18OCT2021	TL	HL



- NOTES:
- △ MATERIAL CONTACTS; COPPER ALLOY
MATERIAL HOUSING; GLASSFILLED POLYESTER
 - △ GENERAL PLATING SPECIFICATION: UNDERPLATING (ENTIRE CONTACT):
1,27μm NICKEL MIN. AND EON PIN: 0,5μm TIN MIN.
FOR PLATING OF MATING SURFACES SEE APPLICABLE SPECIFICATION
REFERENCE FOR EACH DASH NUMBER.
 - △ CONFORMS TO ALL TESTING ACCORDING IEC 61076-4-101
PERFORMANCE LEVEL 2.
 - △ ASSEMBLY PRINTED WITH P/N AND DATECODE



RECOMMEND PCB TOLERANCE : ±0.05

FINISH	MATERIAL	PART NUMBER
23		2392920-1

THIS DRAWING IS A CONTROLLED DOCUMENT.		DWN TONY LI 28MAY2021	TE Connectivity Ltd.	
DIMENSIONS: mm		CHK ALEX XU 28MAY2021		
TOLERANCES UNLESS OTHERWISE SPECIFIED: ±0.2		APVD HOPE LU 28MAY2021	NAME	
0-PLC ± 1-PLC ± 2-PLC ± 3-PLC ± 4-PLC ± ANGLES ±		PRODUCT SPEC 108-19082	Z-PACK 2mm HM	
MATERIAL		APPLICATION SPEC 114-160149	TYPE A/B - 19 COLUMNS	
FINISH		WEIGHT 0	RECEPTACLE ,EON	
		CUSTOMER DRAWING	SIZE A2	RESTRICTED TO
			CAGE CODE 00779	
			DRAWING NO C=2392920	
			SCALE 5:1	SHEET 1 of 1
			REV A	