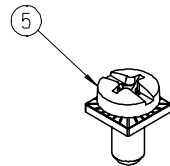
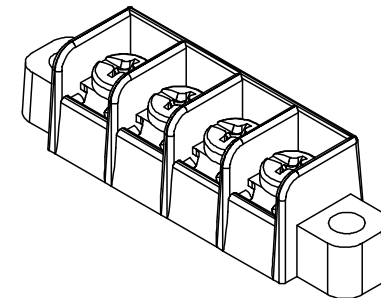
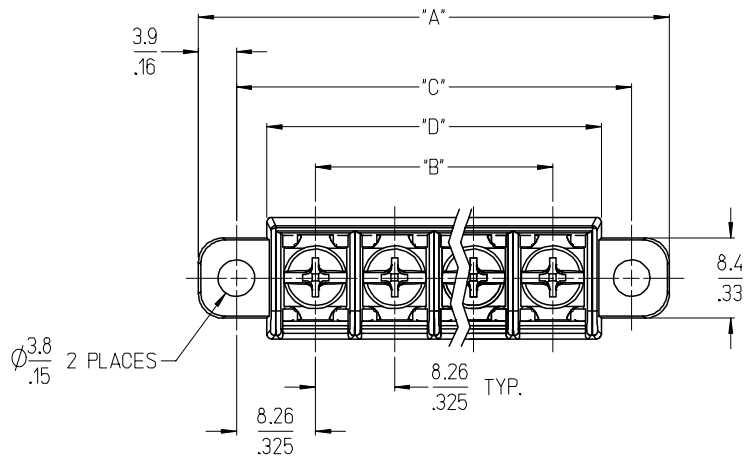


10 9 8 7 6 5 4 3 2 1

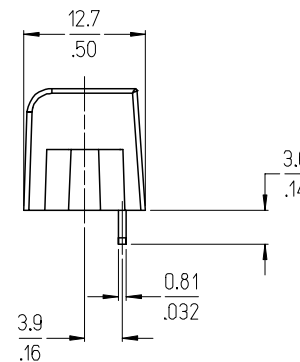
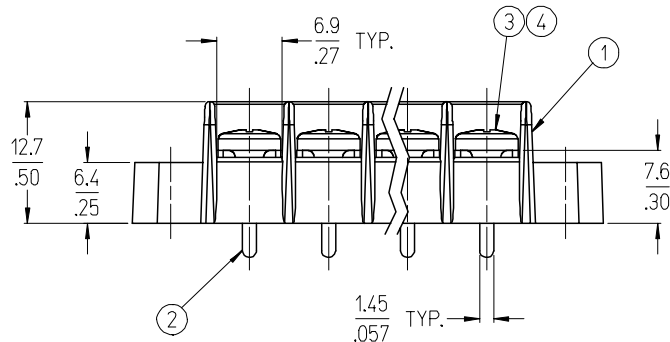
F
E
D
C
B
A



REF. -50 OPT. SCREW
(WHERE APPLICABLE)



4 CIRCUIT SHOWN



NOTES:

- 1. MATERIAL: SEE TABLE
- 2. FINISH: SEE TABLE
- 3. "XX" REFERS TO THE QUANTITY OF CIRCUITS.
- 4. ASSEMBLY IS ROHS COMPLIANT.

5	XX	SCREW&WASHER, #6-32X.25, PAN, PH/SL (-50 OPT)	STEEL	ZN, CLEAR CHROMATE
4	XX	SCREW, #6-32X.25, PAN, PH/SL (-49 OPT)	BRASS	NICKEL PLATE
3	XX	SCREW, #6-32X.25, PAN, PH/SL (STD.)	STEEL	ZN, CLEAR CHROMATE
2	XX	TERMINAL, PC	BRASS	TIN PLATE
1	1	INSULATOR, SR, CS, PC	PBT	BLACK
ITEM	QTY.	DESCRIPTION	MATERIAL	FINISH

INITIAL RELEASE
EC NO: ETC2007-0160
DRW: CLYORK 2006/11/20
CHKD: JMACNEIL 2006/11/21
APPR: JMACNEIL 2006/11/22

QUALITY SYMBOLS
 = 0
 = 0.05
 DESCRIPTION
 REV

GENERAL TOLERANCES (UNLESS SPECIFIED)	
mm	INCH
4 PLACES ± ---	± ---
3 PLACES ± ---	± .005
2 PLACES ± 0.13	± .01
1 PLACE ± 0.3	± ---
ANGULAR ± 2 °	
DRAFT WHERE APPLICABLE MUST REMAIN WITHIN DIMENSIONS	

DIMENSION STYLE	
MM/IN	
DRAWN BY	DATE
C. YORK	2006/11/08
CHECKED BY	DATE
J. MACNEIL	2006/11/08
APPROVED BY	DATE
J. MACNEIL	2006/11/08
MATERIAL NO.	
SEE SHT. 2	

SCALE	DESIGN UNITS	THIRD ANGLE PROJECTION
2:1	INCH	
TITLE		
8.26MM [.325] SR BTS, CS PC WITH MTG.		
MOLEX INCORPORATED		
MATERIAL NO.	DOCUMENT NO.	SHEET NO.
SEE SHT. 2	SD-38704-003	1 OF 2

9 8 7 6 5 4 3 2 1

