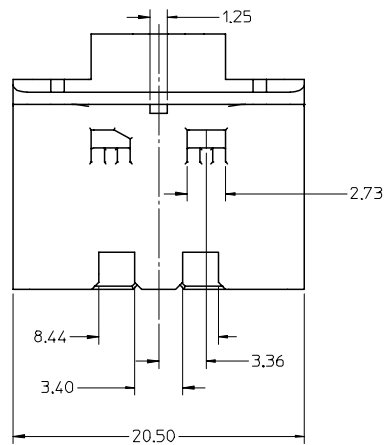
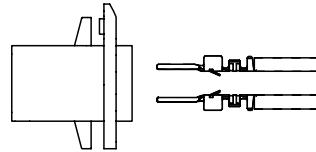


J  
I  
H  
G  
F  
E  
D  
C  
B  
A

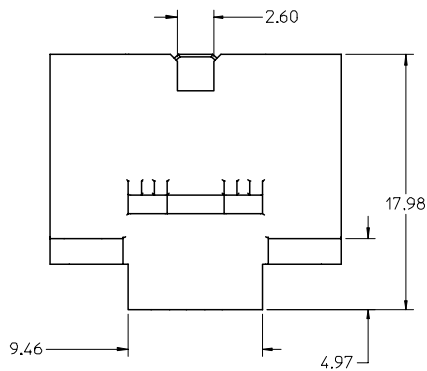
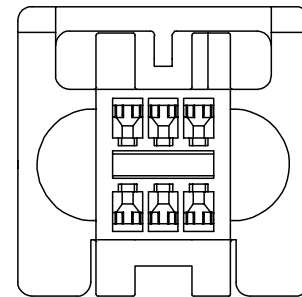
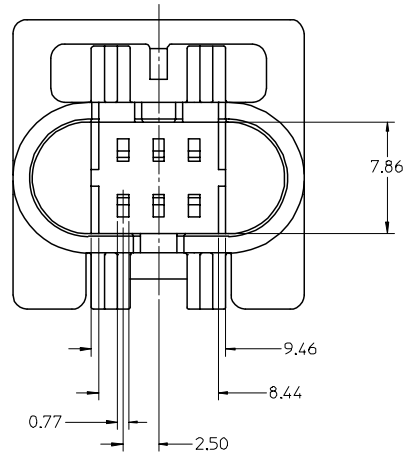
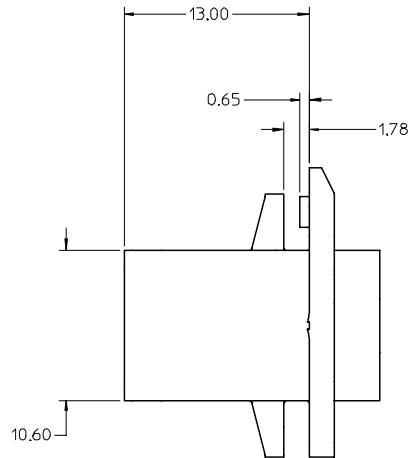
J  
I  
H  
G  
F  
E  
D  
C  
B  
A



TERMINALS TO BE ORIENTED AND LOADED INTO THE HOUSING AS SHOWN BELOW



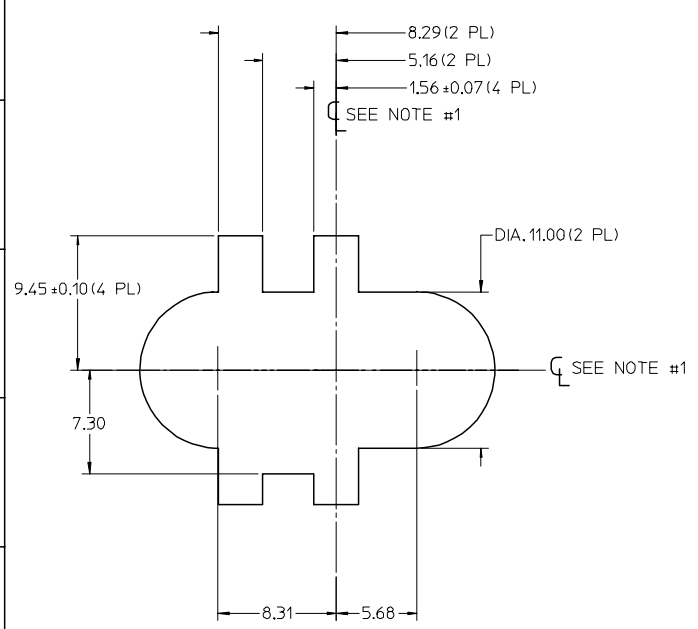
Partial1  
SCALE 2:1



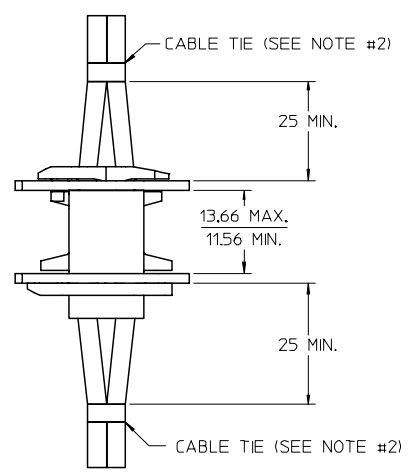
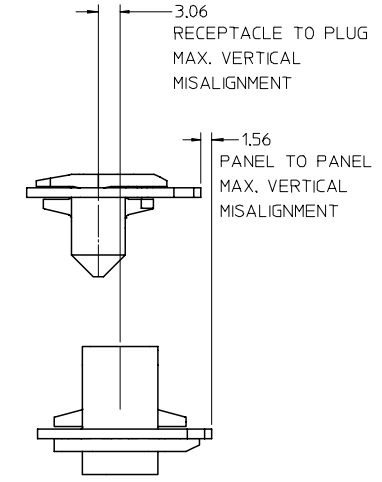
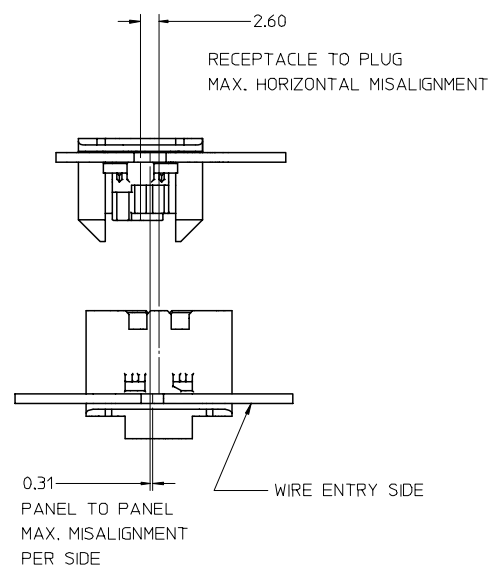
NOTES:

1. MATERIAL: POLYESTER, UL94V-0, COLOR: BLACK.
2. PRODUCT CONFORMS TO PRODUCT SPECIFICATION PS-45779-001.
3. USES MALE CRIMP TERMINALS SERIES 45627.
4. PART MATES WITH MOLEX RECEPTACLE SERIES 45579.
5. PACKAGING: BULK.
6. SEE PAGE 2 OF 2 FOR PANEL CUTOUT DIMENSIONS AND THE ALLOWED PANEL TO PANEL MISALIGNMENT.
7. USE MOLEX EXTRACTION TOOL 63813-1400 TO REMOVE TERMINAL WITHOUT DAMAGING THE PLUG CORE. RELOAD PLUG CORE WITH NEW TERMINAL ONLY. REMOVED TERMINAL AFTER EXTRACTION IS NOT USABLE.

EC NO: UCP2005-2128 DRWN: MCARRANZ805/04/05 CHKD: 2005/04/05 APPR: JCOMERC 2005/04/08	QUALITY SYMBOLS ▽ - 0 ◻ - 0	GENERAL TOLERANCES (UNLESS SPECIFIED)		SCALE 4:1	DESIGN UNITS METRIC	THIRD ANGLE PROJECTION	REVISE ON CAD ONLY
		4 PLACES ± --- ± --- 3 PLACES ± --- ± --- 2 PLACES ± 0.13 ± --- 1 PLACE ± 0.25 ± ---	DIMENSION STYLE MM ONLY	TITLE SPOX BMI PLUG HOUSING 6 CIRCUIT REAR ENTRY PANEL MOUNT			
		DRAFT WHERE APPLICABLE MUST REMAIN WITHIN DIMENSIONS		APPROVED BY DATE	MATERIAL NO. 45626-0001	DOCUMENT NO. SD-45626-001	SHEET NO. 1 OF 2
		THIS DRAWING CONTAINS INFORMATION THAT IS PROPRIETARY TO MOLEX INCORPORATED AND SHOULD NOT BE USED WITHOUT WRITTEN PERMISSION					

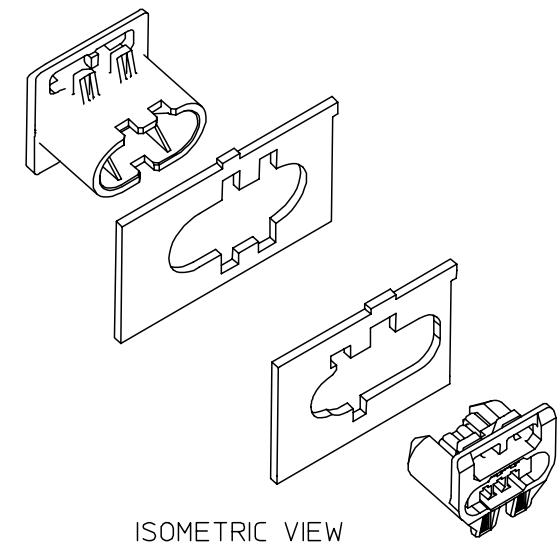


PANEL CUTOUT  
WIRE ENTRY SIDE VIEW  
PANEL THICKNESS 1.35mm +/-0.15



PANEL TO PANEL STACK HEIGHT

- NOTES:
1. TO CENTER 45626 PANEL CUTOUT WITH 45579 PANEL CUTOUT, ALIGN CENTERLINES WITH CENTERLINES OF THE PANEL CUTOUT IN THE DRAWING SD-45579-001.
  2. TERMINALS MUST BE ALLOWED TO FLOAT FREELY WITHIN EACH CORE DO NOT TIE WIRES TOGETHER TIGHTLY. ALLOW WIRE TO MOVE.



ISOMETRIC VIEW

EC NO: UCP2005-2128 DRWN: MCARRANZ805/04/05 CHKD: 2005/04/05 APPR: JCOMERCI 2005/04/08	QUALITY SYMBOLS	GENERAL TOLERANCES (UNLESS SPECIFIED)		SCALE 2:1	DESIGN UNITS METRIC	THIRD ANGLE PROJECTION	REVISE ON CAD ONLY	
	▽ 0 ◻ 0		mm	INCH	DIMENSION STYLE MM ONLY		TITLE	
		4 PLACES	± ---	± ---	DRAWN BY KSTILES	DATE 10/25/2003	SPOX BMI PLUG HOUSING 6 CIRCUIT REAR ENTRY PANEL MOUNT	
		3 PLACES	± ---	± ---	CHECKED BY	DATE		
	2 PLACES	± 0.13	± ---	APPROVED BY		MATERIAL NO. 45626-0001	DOCUMENT NO. SD-45626-001	SHEET NO. 2 OF 2
	1 PLACE	± 0.25	± ---	MUST REMAIN WITHIN DIMENSIONS		MOLEX INCORPORATED THIS DRAWING CONTAINS INFORMATION THAT IS PROPRIETARY TO MOLEX INCORPORATED AND SHOULD NOT BE USED WITHOUT WRITTEN PERMISSION		