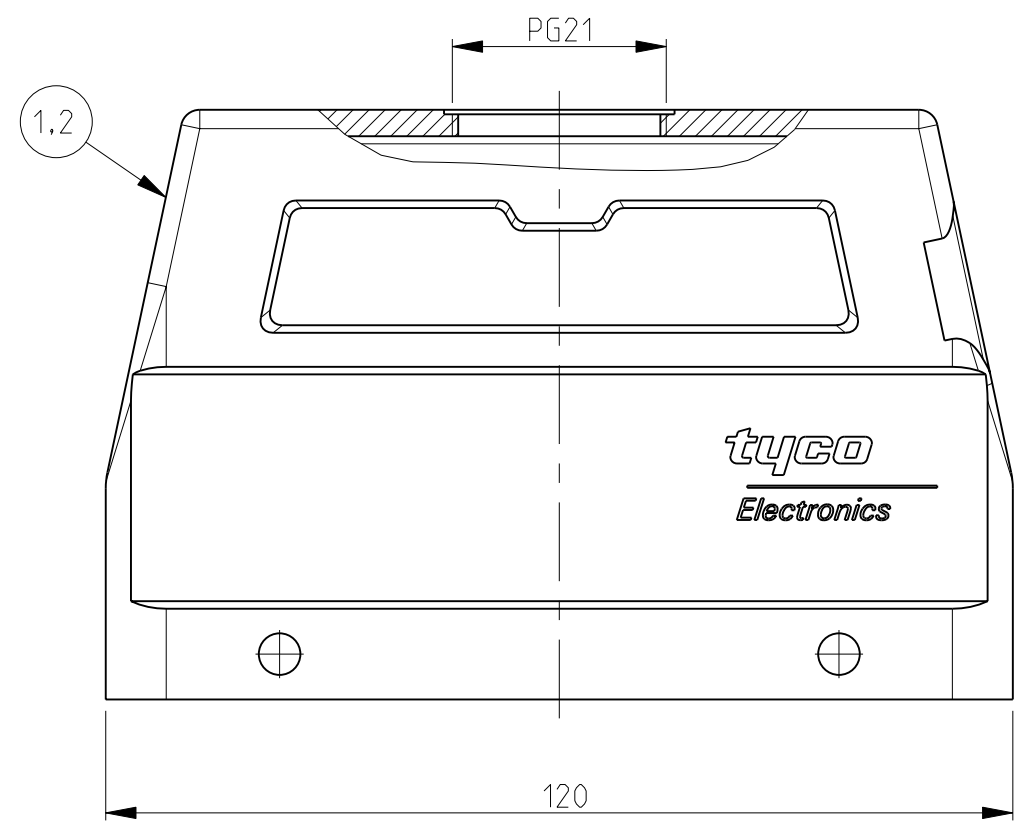
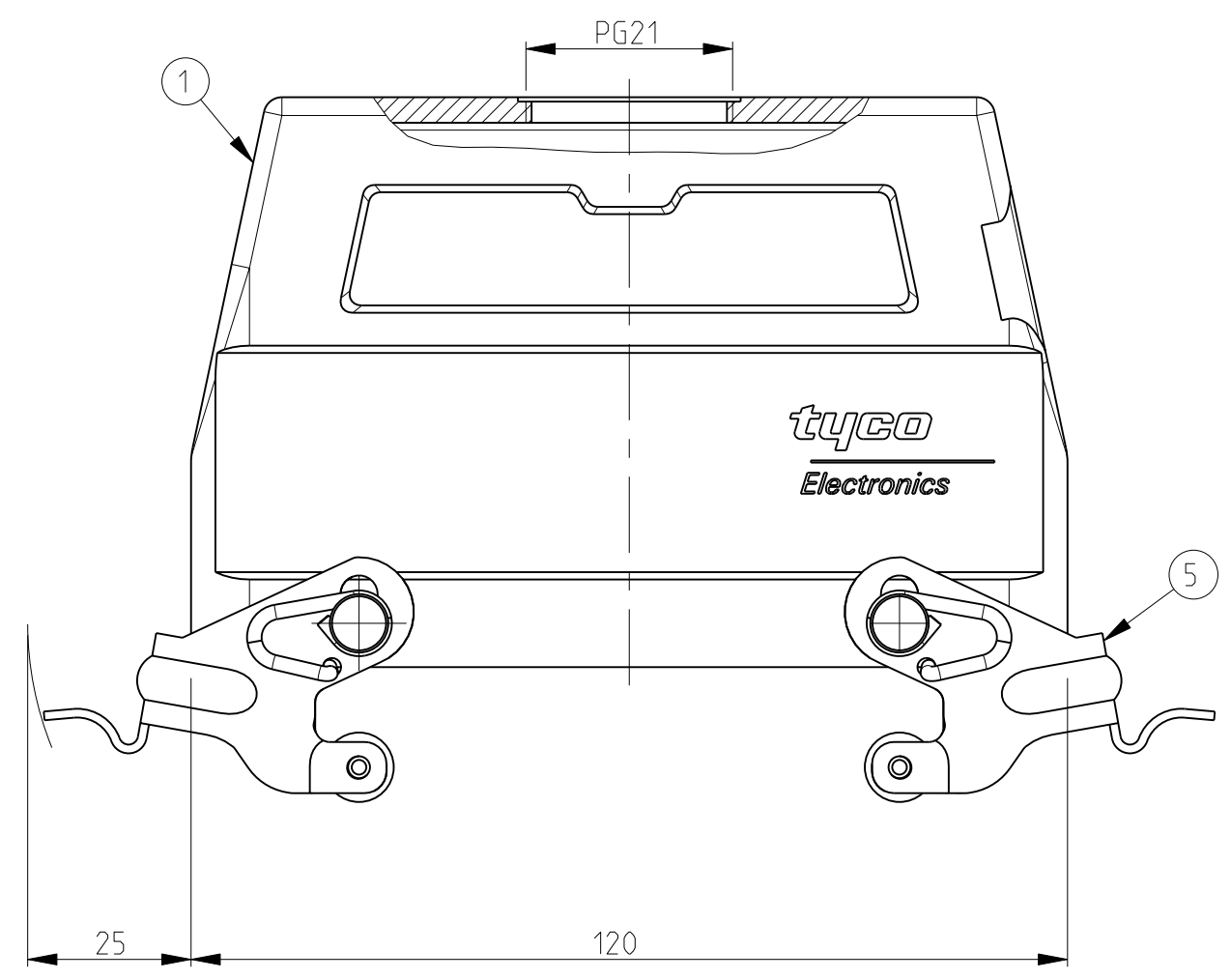
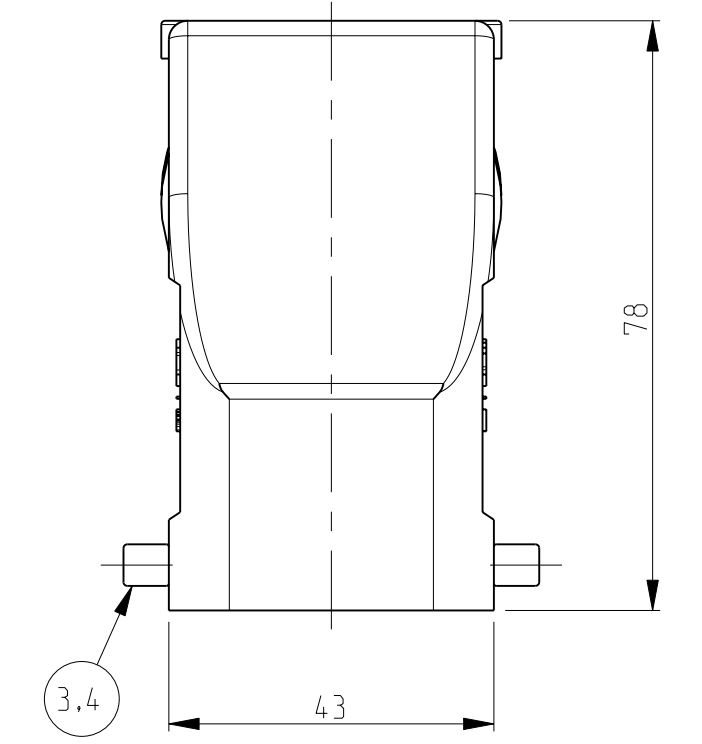


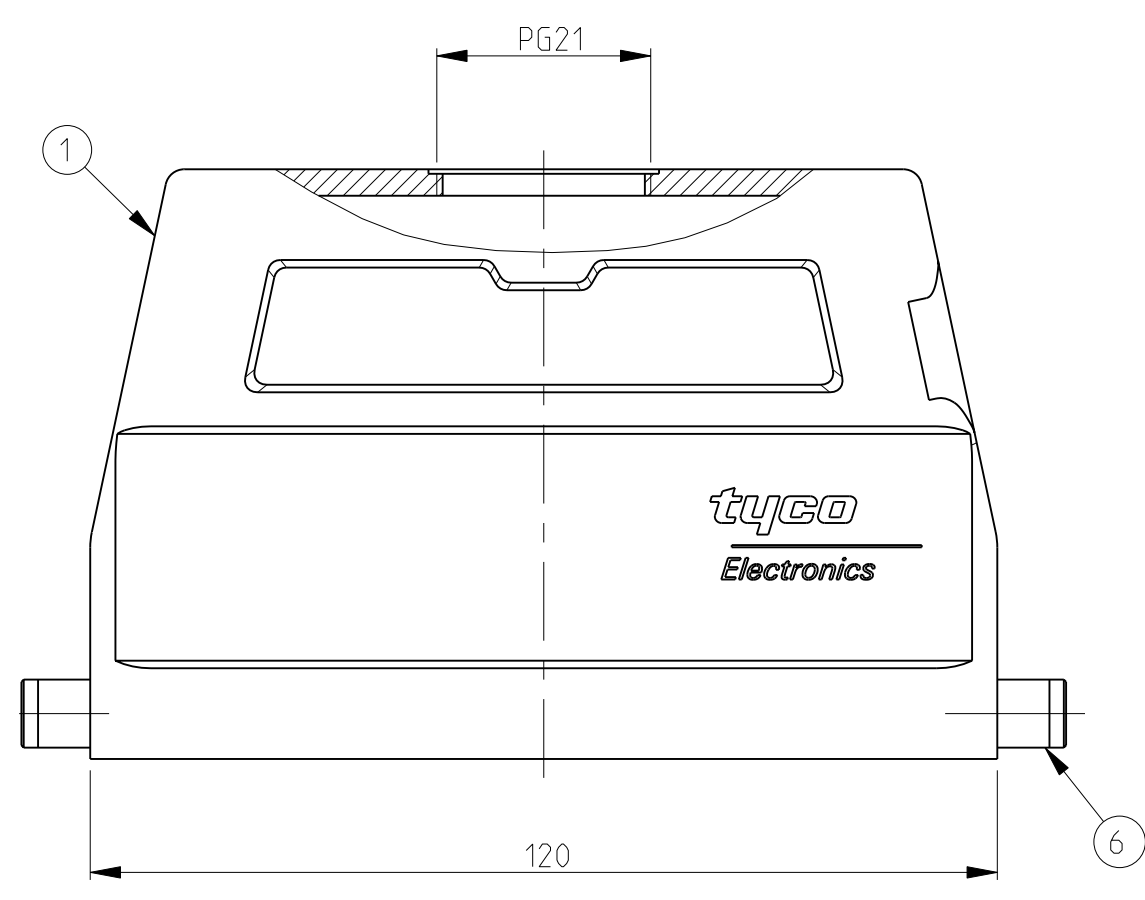
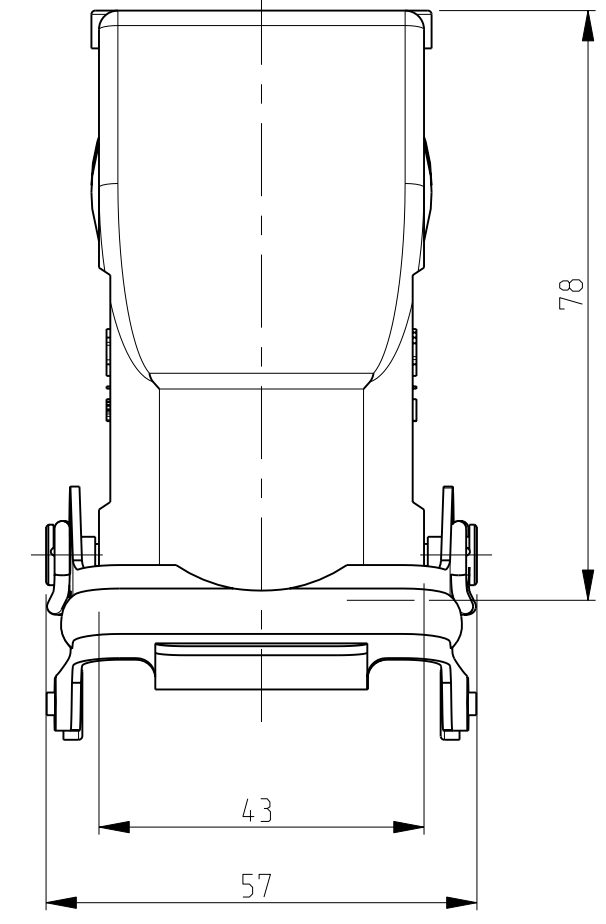
LOC	DIST	REVISIONS					
A	I	P	LTR	DESCRIPTION	DATE	DWN	APVD
		A5		Released as per ECR-08-004369	20.02.2008	SP	TS



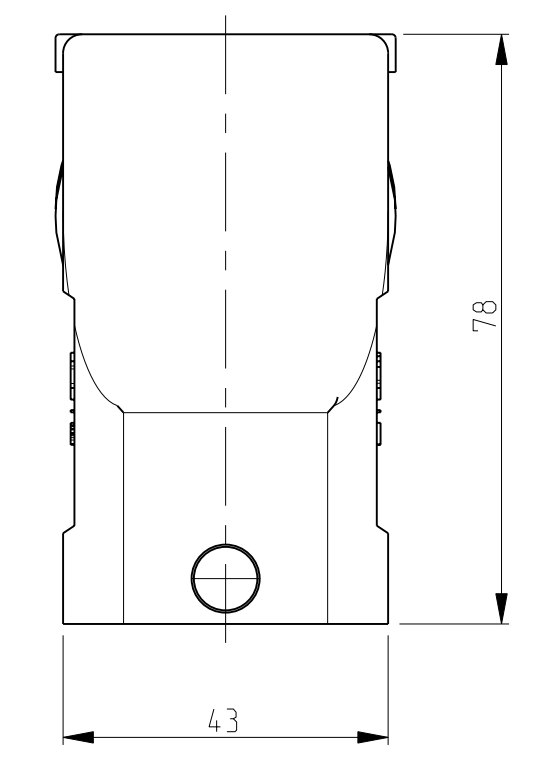
PN 1-6 & 2-6



PN 1-1

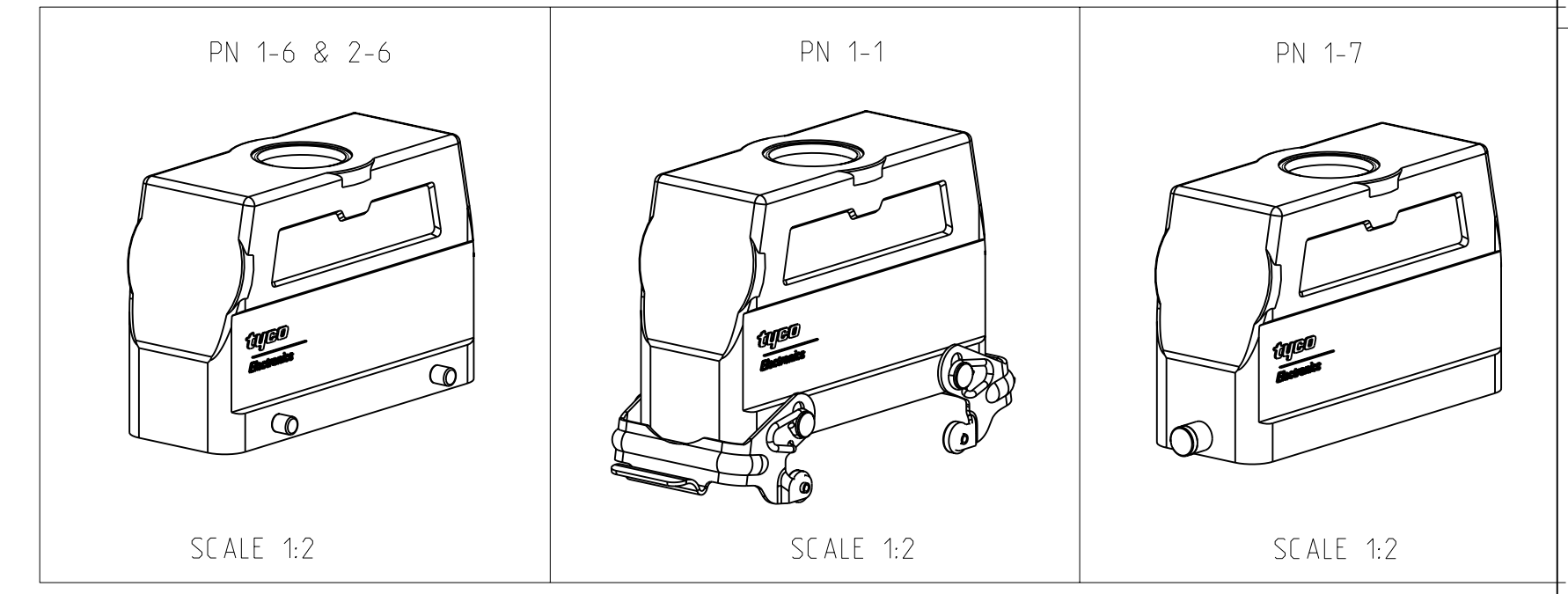


PN 1-7



NOTES.

- 1 Material:Housing:Aluminium Diecasting Alloy
Seats:Neoprene
- 2 Surface-Powder Varnish Grey
-Aluminium Oxide +
Varnish Black
- 3 Varnish on the inside not necessary
- 4 Packaging
Quantity 5 Pieces in a box



OB	SO	OB	SO	DESCRIPTION	MATERIAL	SURFACE	COLOR	ITEM NO	REMARKS
1	1			Hood HD.64.Pg2.21	Aluminium	-	Grey	8	
2	2			ZB-Central clip	Steel	Zinc plated	Blue	7	
		2		LB-Clip bolt	Steel	Zinc plated	Blue	6	
			2	VS-Side clip	Steel	Zinc plated	Blue	5	
			4	VS-Clip bolt	Stainless steel	-	-	4	
			4	VS-Clip bolt	Steel	Zinc plated	Blue	3	
			1	Hood HD.64.Pg1.21	Aluminium	Aluminium oxide	Black	2	
			1	Hood HD.64.Pg1.21	Aluminium	-	Grey	1	

ORDERING TEXT:
 HD.64.Sto.1.21.G
 HD-K.64.Sto.1.21.G
 HD.64.Sto-VS.1.21.G
 HD.64.Sto-GR.1.21.G
 HD-Z.64.Sto-ZB.1.21.G
 HD.64.Sto-GR.2.21.G SQ

DIMENSIONS: mm 		TOLERANCES UNLESS SPECIFIED: 0 PLU ± 1 PLU ± 2 PLU ± 3 PLU ± 4 PLU ± ANGLES ±		DWN Schneider 09.12.98 CHK Schneider 09.12.98 APVD Schneider		Tyco Electronics AMP GmbH 0-53819-Neunkirchen,Germany	
MATERIAL: - FINISH: -		PRODUCT SPEC 108-74001 108-74003 APPLICATION SPEC 114-74001 114-74004		NAME Hood HD.64.Sto.1.21.G		RESTRICTED TO: -	
CUSTOMER DRAW ING		WEIGHT: -		SIZE: A 00779 C=1103341		SCALE: 1:1 SHEET: 1 OF 1 REV: A5	