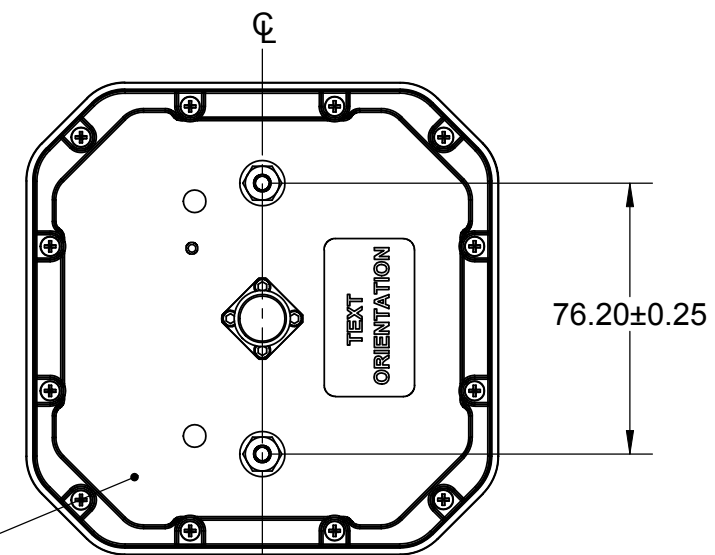
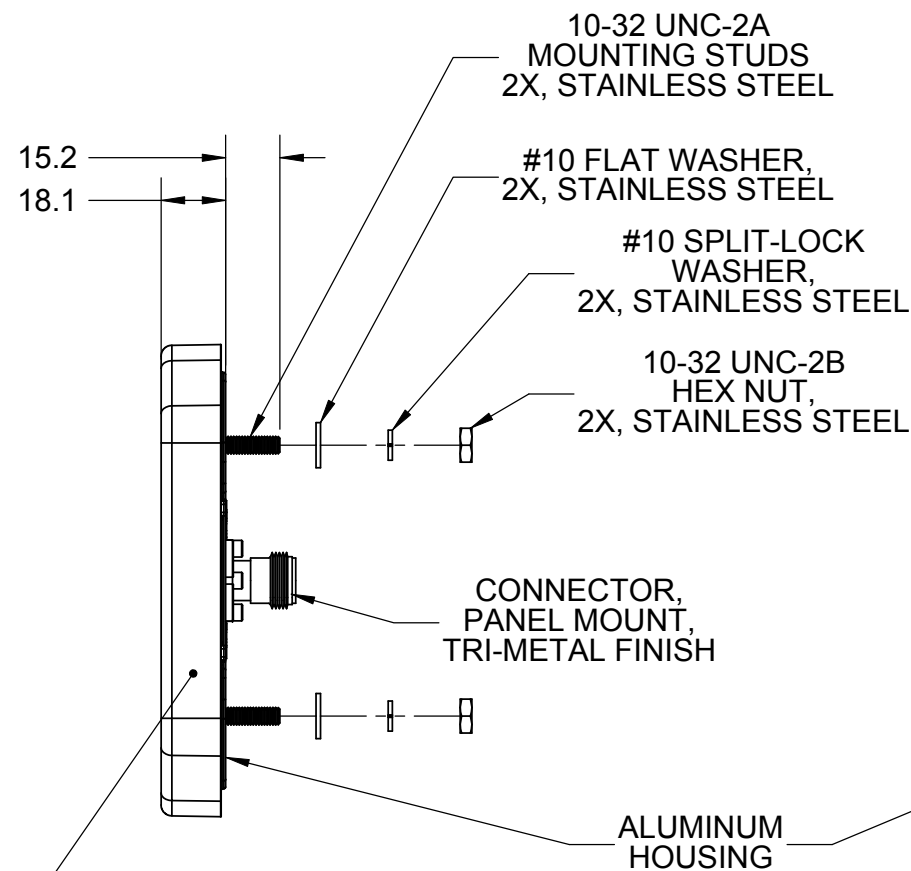
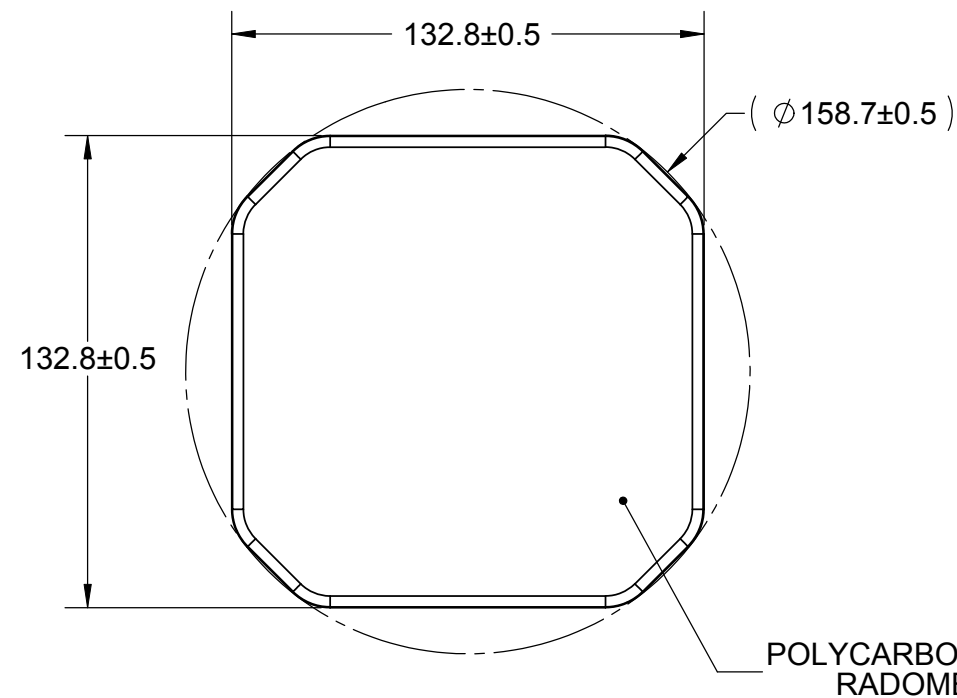


MODEL NUMBER	S8865PRNF	S8655PRRTN	S8655PRSMF	S8655PRRSMF
CONNECTOR	N-TYPE, FEMALE	TNC, REV POLARIZED	SMA, FEMALE	SMA, REV POLARIZED
FREQUENCY	865MHz - 870MHz			
GAIN	5.0dBic			
AXIAL RATIO	2dB TYPICAL			
NORMAL IMPEDANCE	50Ω			
POLARIZATION	CIRCULAR, RIGHT			
BEAMWIDTH	100 DEGREES			
VSWR	1.5:1			
F/B	8dB			
POWER	10W			
WEIGHT	0.37 kg (0.8 lb)			

REVISIONS					
REV.	ECR#	ZONE	DESCRIPTION	CHANGED BY/DATE	APPROVED BY/DATE
AA			INITIAL RELEASE	K.S. 09-25-08	K.S. 09-25-08



MATERIAL: N/A		THIRD ANGLE PROJECTION			
FINISH: N/A					
APPROVALS		DATE		S8655PR	
DRAWN BY	K. SEARL	05-14-08			
PROJ. ENG.	T. PETROPOULOS	09-25-08		S8655PRMO	
APPL. MECH.	S. JOHNSON	09-25-08			
MFG.	I. CHICKLIS	09-25-08		DWG. NO. S8655PRMO	
				SIZE A3	REV AA
				SCALE: 1:2	SHEET 1 OF 1

THIS DRAWING IS UNPUBLISHED.	RELEASED FOR PUBLICATION
© Copyright 2022 TE Connectivity Ltd.	ALL RIGHTS RESERVED.