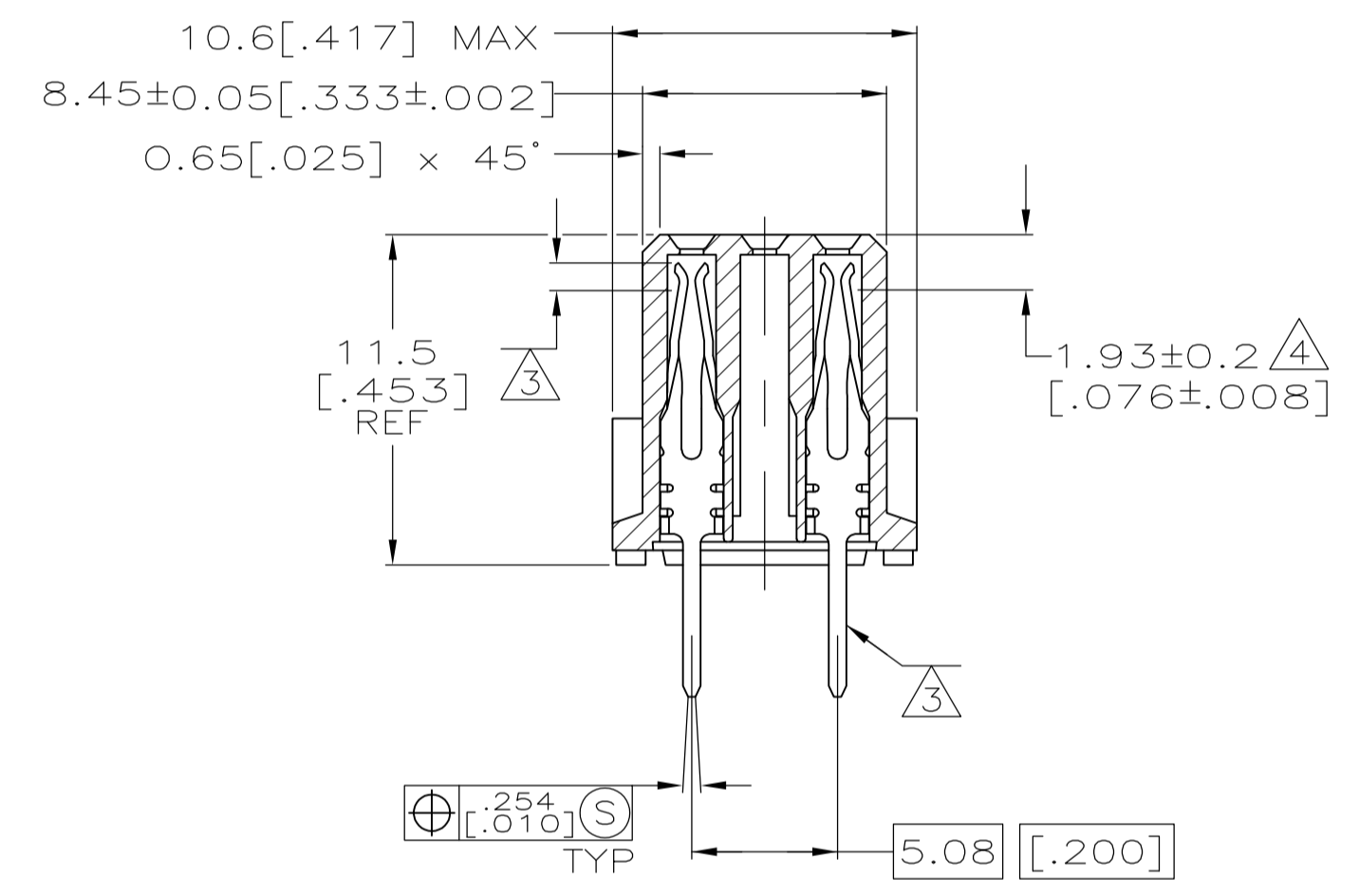
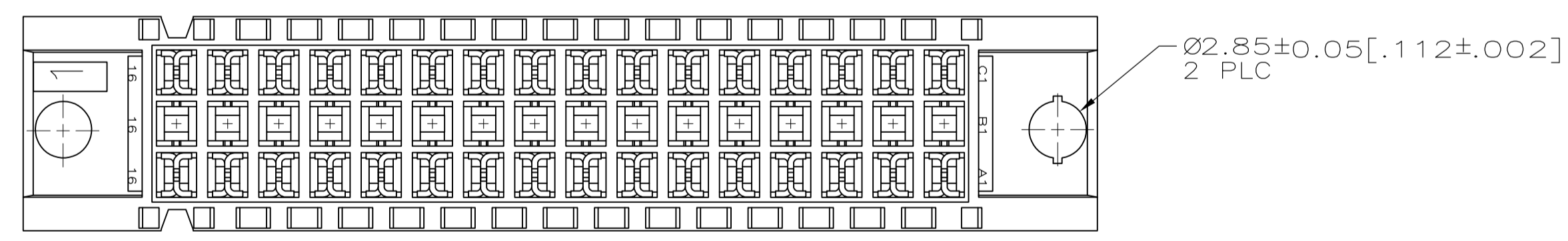
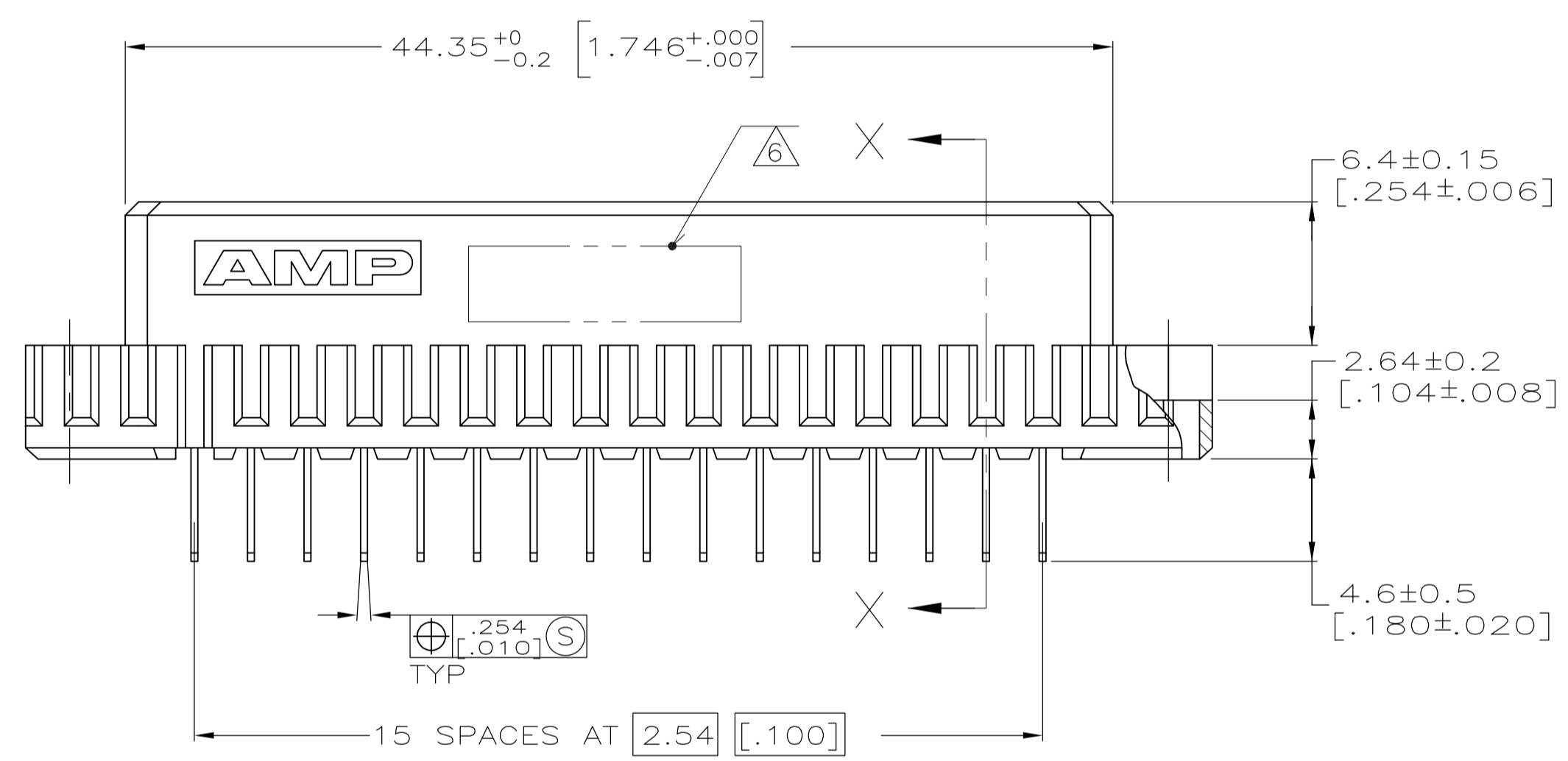
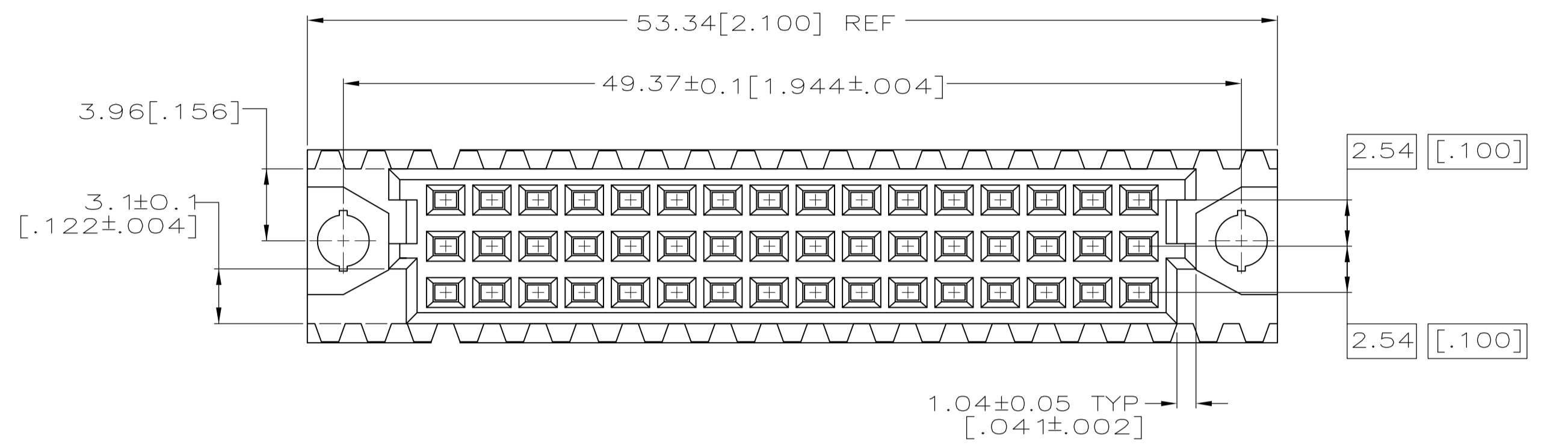
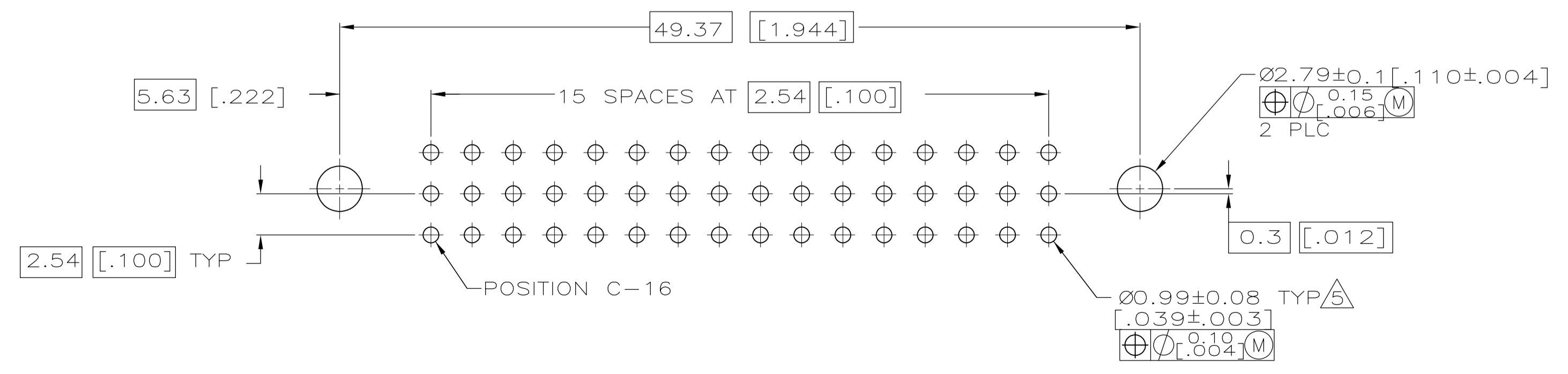


LOC		DIST		REVISONS			
AD	25	REV	DATE	BY	CHK	APP	
0		RELEASE PER EC 0512-0082-05	03JUN05	JDP	AMS		
01		REVISED PER ECO-09-024927	10NOV09	KK	AEG		

- 1 HOUSING MATERIAL: GLASS-FILLED POLYMER.
- 2 CONTACT MATERIAL: COPPER ALLOY.
- 3 CONTACT FINISH: DIN 41612 CLASS 2 IN CONTACT AREA. TIN PLATE ON POSTS.
- 4 CONTACT POINT.
- 5 RECOMMENDED HOLE SIZE FOR MANUAL APPLICATION OF CONNECTOR ONTO PC BOARD.
- 6 PART NUMBER, DATE CODE IDENTIFICATION, CSA LOGO IN THIS APPROXIMATE AREA ON REVERSE SIDE.
- 7 OBSOLETE PARTS: OBSOLETE CIS STREAMLINING PER D.RENAUD/D.SINISI



SECTION X-X



PC BOARD LAYOUT

FINISH	POSITIONS LOADED	ROWS LOADED	NO. OF LOADED POSITION	ASSY PART NUMBER
1 THRU 16	X - X	32	5650466-5	
1 THRU 16	X - X	32	5650466-4	

THIS DRAWING IS A CONTROLLED DOCUMENT.		DIN J. POLIGNONE 03JUN05		Tyco Electronics Corporation Harrisburg, PA 17105-3608	
DIMENSIONS: mm [INCHES]		TOLERANCES UNLESS OTHERWISE SPECIFIED:		APVD A. SHARPE 03JUN05	
0 PLC	± -	1 PLC	± -	NAME ASSEMBLY, RECEPTACLE, EUROCARD, TYPE C/2, A and C, 32/48 POSITION, 4.57[.180] SOLDER POSTS	
2 PLC	± -	3 PLC	± 0.13[.005]	APPLICATION SPEC	
4 PLC	± -	ANGLES	± -	SIZE CAGE CODE DRAWING NO RESTRICTED TO	
MATERIAL	FINISH	WEIGHT	—	A1 00779 C=5650466	
CUSTOMER DRAWING		SCALE	4:1	SHEET	1 OF 1 REV 01