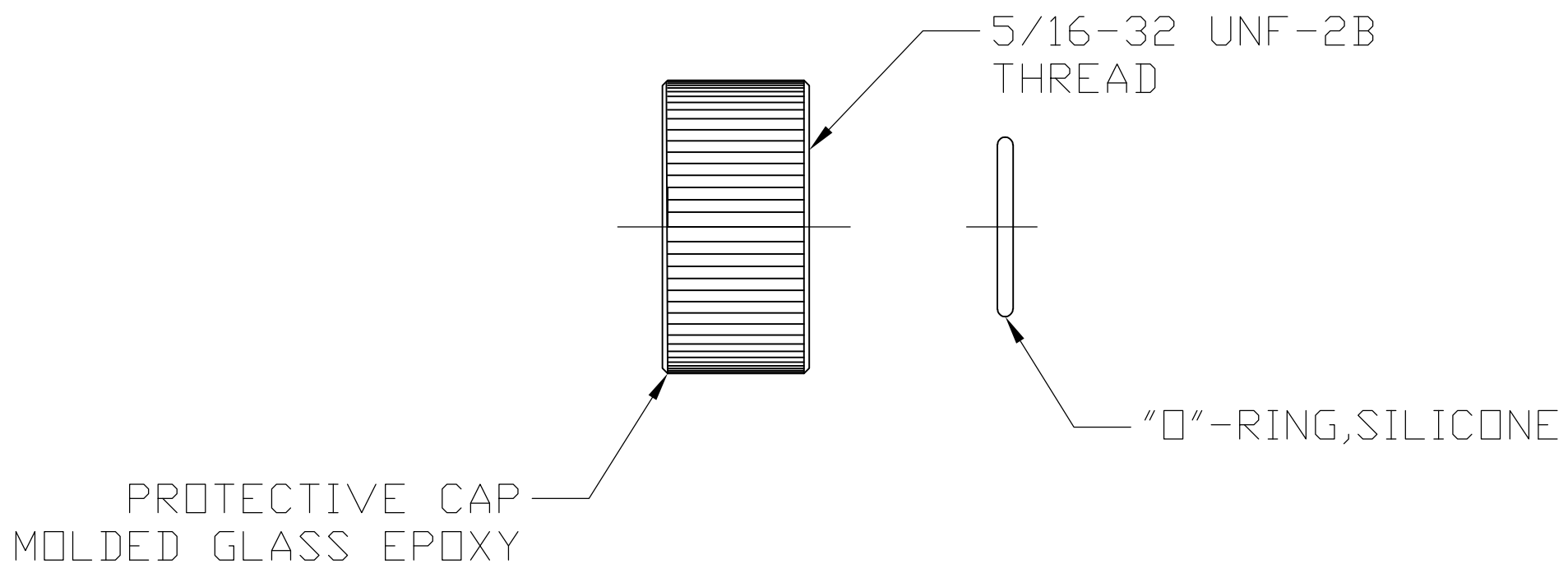

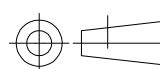


THIS DRAWING IS UNPUBLISHED. RELEASED FOR PUBLICATION - , - .
 © COPYRIGHT - By - ALL RIGHTS RESERVED.

LOC		DIST		REVISIONS			
P	LTR	DESCRIPTION		DATE	DWN	APVD	
	B	REV PER ECO 13-011485		7-25-13	CT	DE	



849055-1
PART NUMBER

THIS DRAWING IS A CONTROLLED DOCUMENT.		DWN C.C.THOMAS	7-25-13	 TE Connectivity				
DIMENSIONS: INCHES 		CHK D.EABY	7-25-13				NAME KIT,LGH-1/2 & 1/2L	
TOLERANCES UNLESS OTHERWISE SPECIFIED: 0 PLC ± - 1 PLC ± - 2 PLC ± - 3 PLC ± - 4 PLC ± - ANGLES ± -		APVD D.EABY	7-25-13	PRODUCT SPEC -				
MATERIAL -		FINISH -		APPLICATION SPEC -	SIZE A3	CAGE CODE 00779	DRAWING NO C-849055	RESTRICTED TO -
CUSTOMER DRAWING				WEIGHT -	SCALE 4:1	SHEET 1 OF 1	REV B	