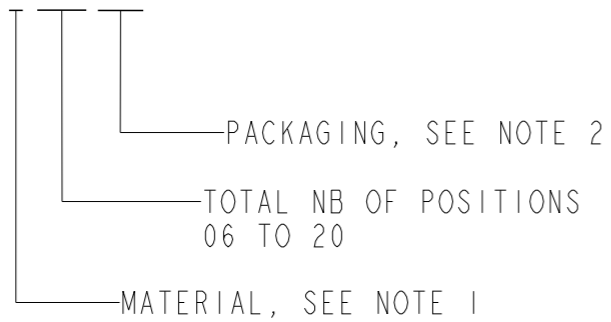


PRODUCT NUMBER:

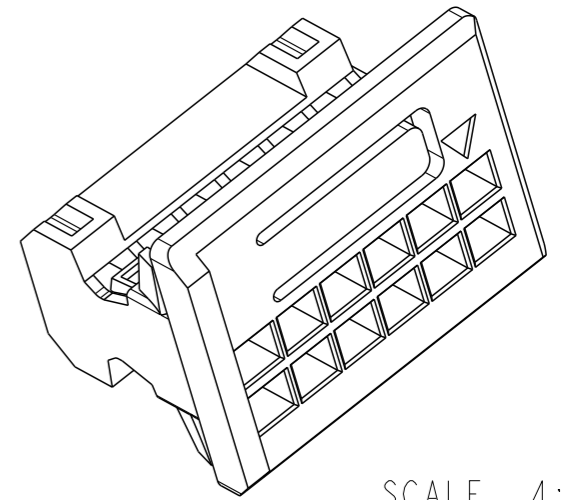
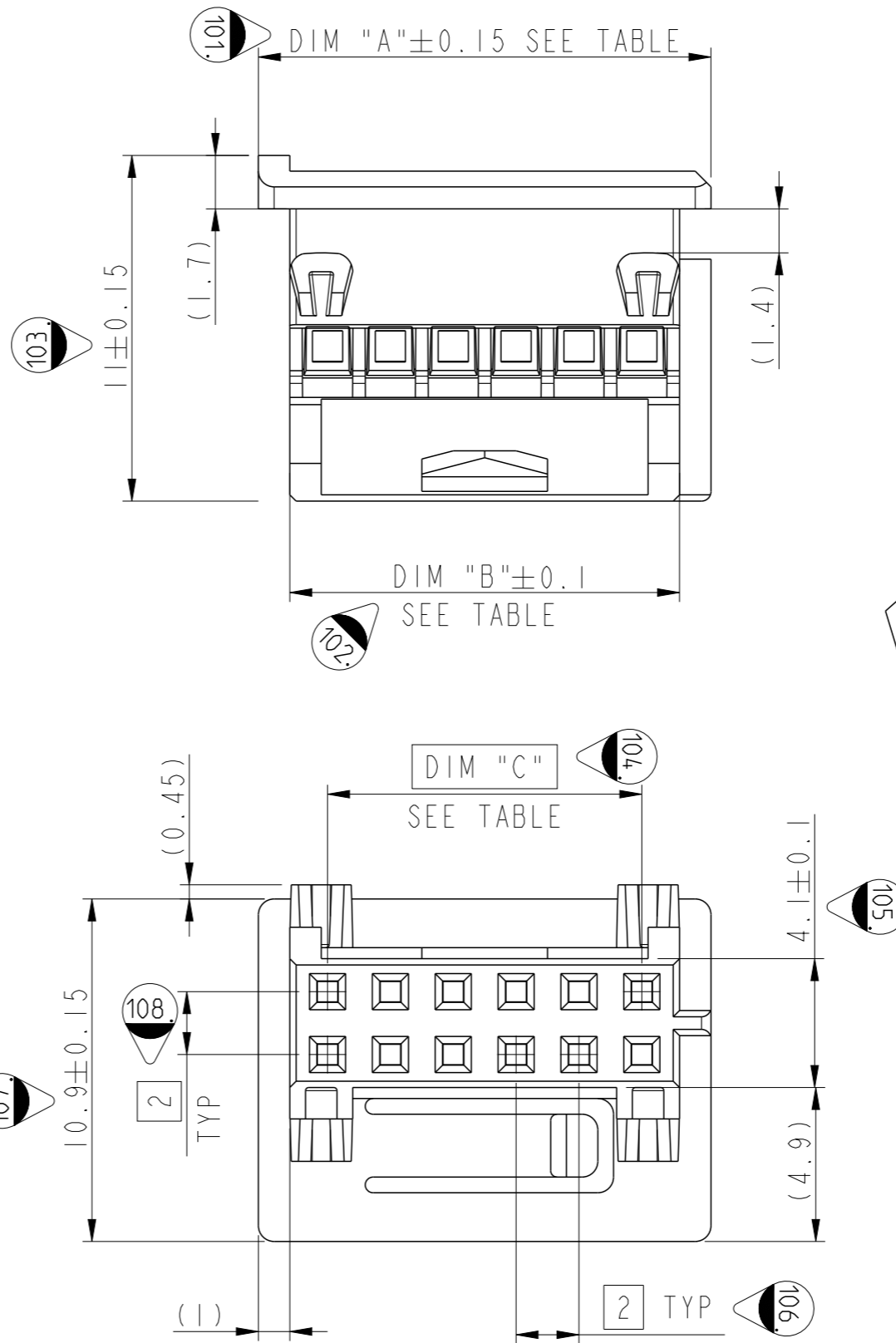
10148139-0XX LF



NOTES :

- 1 - HOUSING MATERIAL : HIGH TEMPERATURE THERMOPLASTIC COLOR BLACK
- 2 - PACKAGING : BLANK = BULK, PER SPAF0424
- 3 - CODING TRIANGLE INDICATES POS 1, WHEN MATED WITH MINITEK HEADER 10148138
- 4 - FOR USE WITH MINITEK CRIMP TO WIRE CONTACT 77138 (26 - 30 AWG) AND 10044403 (22 - 26 AWG)
- 5 - PRODUCT SPECIFICATION AS PER GS-12-1470, CONTACT CRIMP RECOMMENDATIONS AS PER GS-20-058.
- 6 - PRODUCT MEETS EUROPEAN UNION DIRECTIVES AND OTHERS REGULATIONS AS DESCRIBED IN GS-22-008.
- 7 - THIS PRODUCT IS NOT INTENDED TO BE EXPOSED TO MANUFACTURING SOLDER PROCESSES.

HIGHEST BALLOON INDEX NUMBER: 108
REMOVED BALLOON INDEX NUMBER:

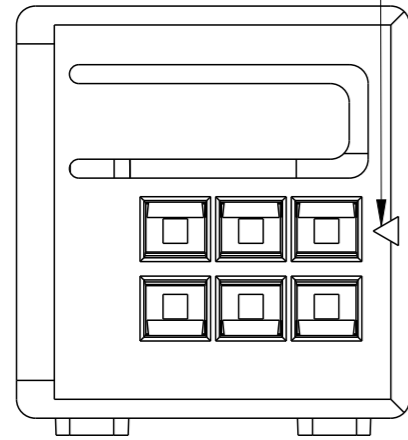


SCALE 4:1

spec ref -		dr	Sawanth, Ambaa	2019/03/19	projection	mm	size	A3	scale	5:1
tolerance std		eng	Detouillon, Da	2023/06/05			ecn no	ELX-F-48403-1		
ISO 406 ISO 1101		chr	-	-				rel level	Released	
TOLERANCES UNLESS OTHERWISE SPECIFIED		appr	Lamy, Alexandr	2023/06/05	product family					
surface	linear	0.X	±0.3	Amphenol FCI	title		dwg no	10148139		rev
		0.XX	±0.10		MINITEK HOUSING CTW 2MM					
0.XXX	±0.005	MINITEK BLINDMATE								
ISO 1302	angular	0°	±2°	cat. no.	-	Product - Customer Drw		sheet 1 of 3		

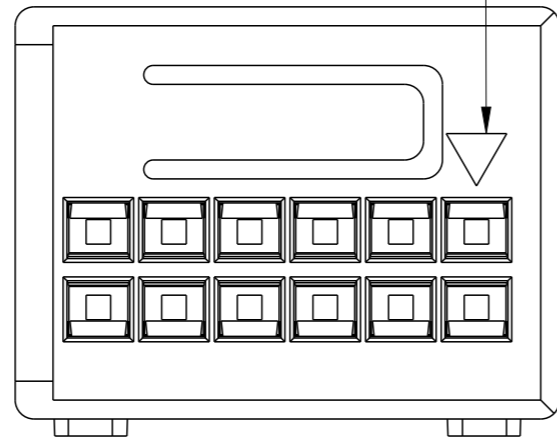
	Dim A	Dim B	Dim C	Dim D
6 POSITION	10.4	8.4	4	10.8
8 POSITION	10.4	8.4	6	10.8
10 POSITION	12.4	10.4	8	12.8
12 POSITION	14.4	12.4	10	14.8
14 POSITION	16.4	14.4	12	16.8
16 POSITION	18.4	16.4	14	18.8
18 POSITION	20.4	18.4	16	20.8
20 POSITION	22.4	20.4	18	22.8

INDICATES POSITION
see note 3

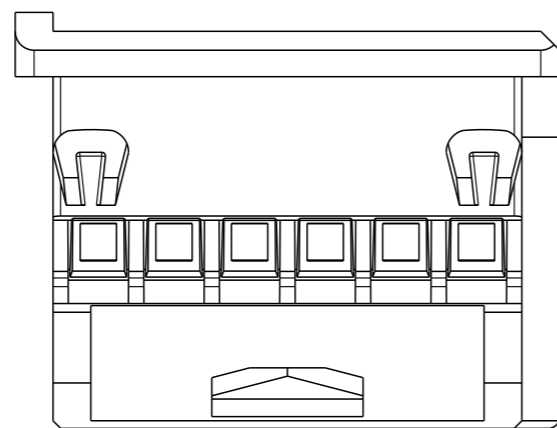
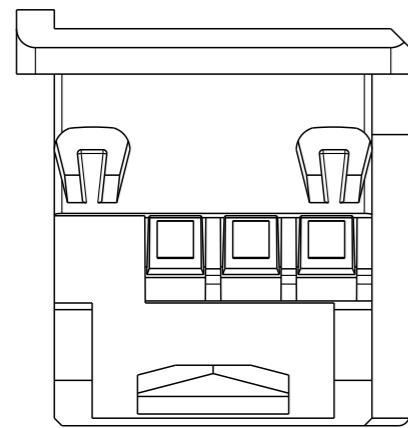


6 POSITION

INDICATES POSITION 1
see note 3



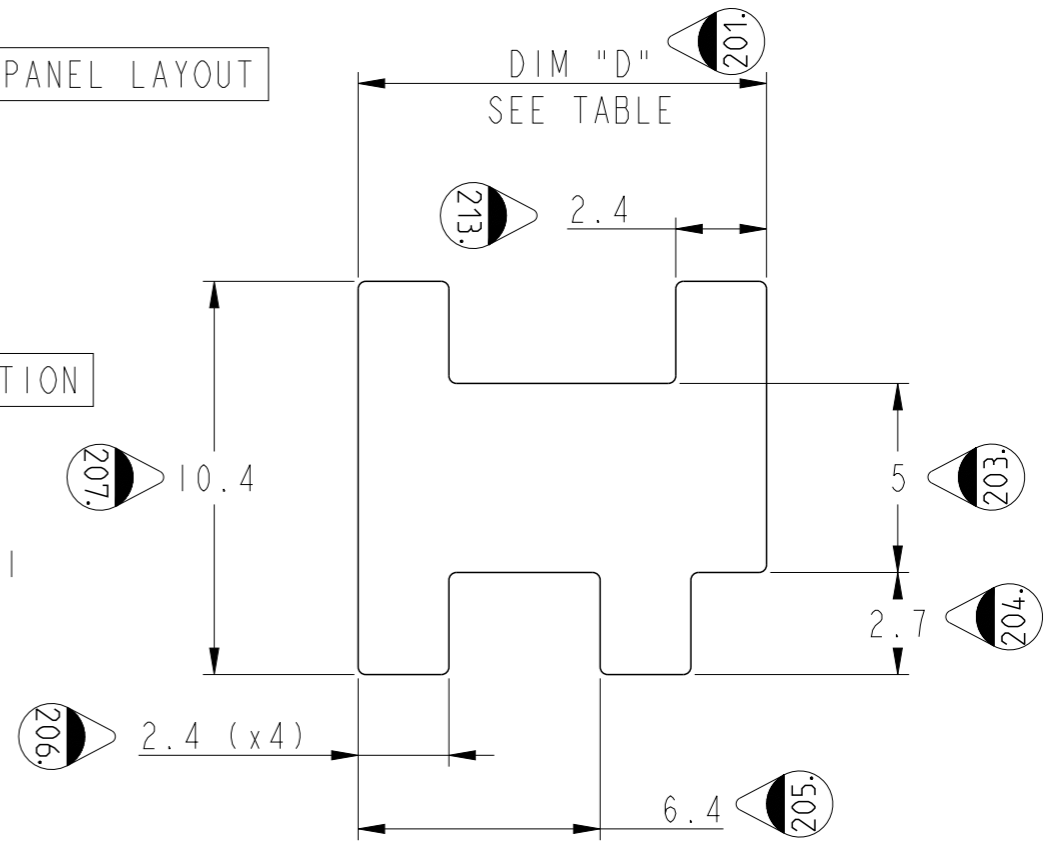
12 POSITION



RECOMMENDED PANEL LAYOUT

6 & 8 POSITION

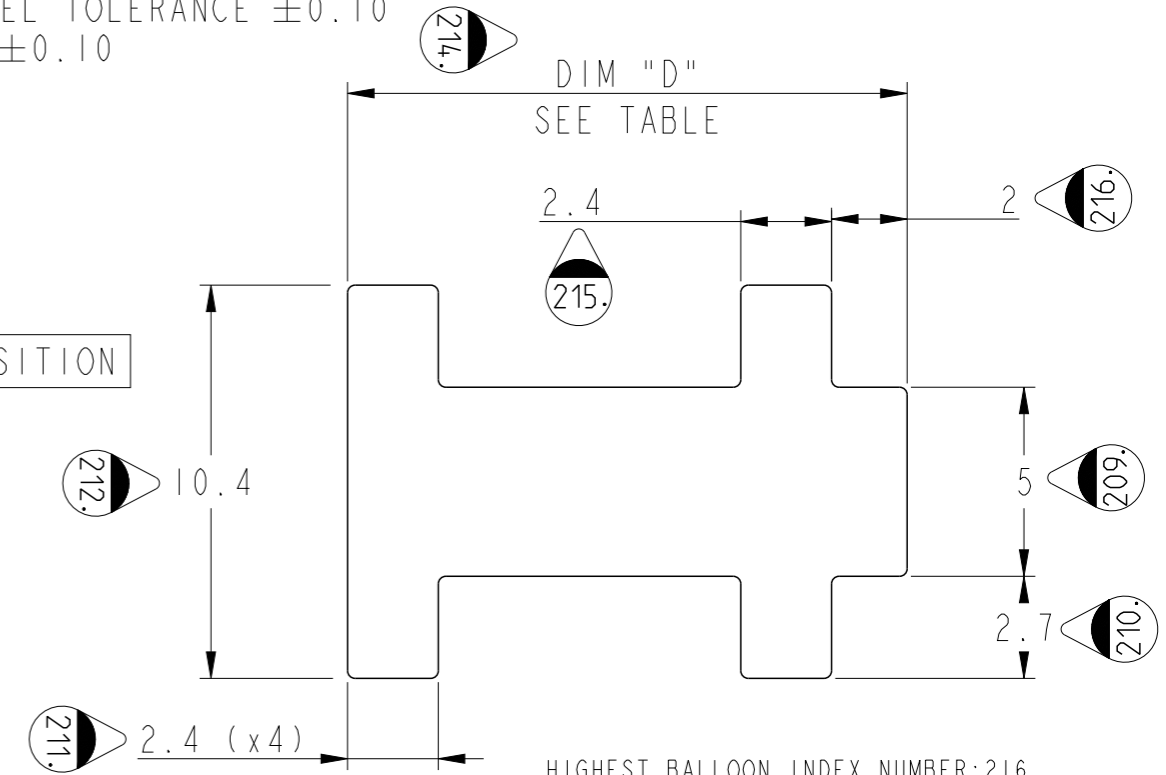
SCALE 5:1



RECOMMENDED PANEL TOLERANCE ± 0.10
THICKNESS: 1.15 ± 0.10

10 TO 20 POSITION

SCALE 5:1



HIGHEST BALLOON INDEX NUMBER: 216
REMOVED BALLOON INDEX NUMBER: 202, 208

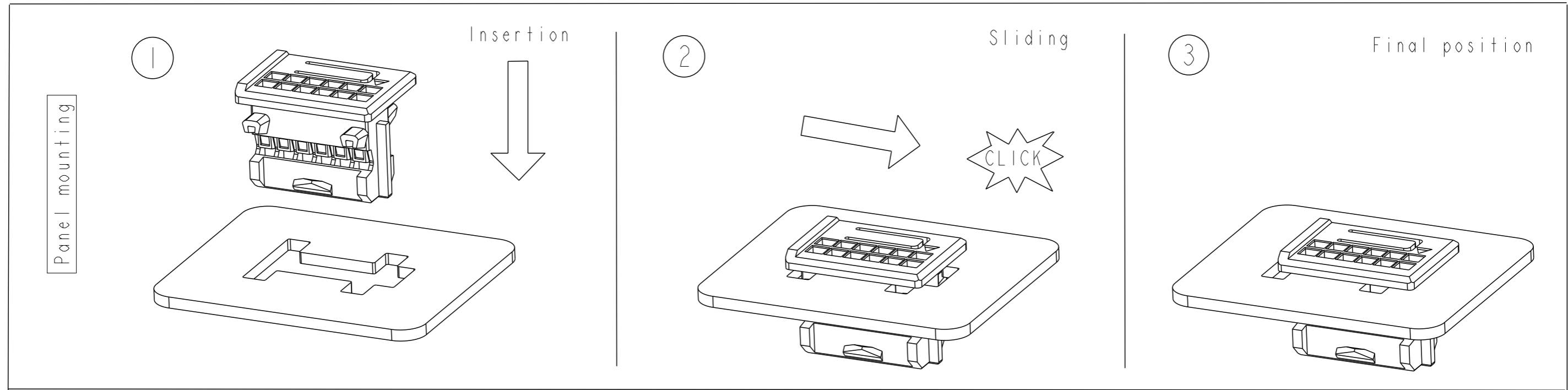
spec ref	-	dr	Sawanth, Ambaa	2019/03/19	projection	mm	size	A3	scale	5:1	
tolerance std	ISO 406 ISO 1101	eng	Detouillon, Da	2023/06/05			ecn no	ELX-F-48403-1			
surface	linear	chr	-	apppr			Lamy, Alexandr	2023/06/05	product family	-	rel level
					Amphenol FCI	MINITEK HOUSING CTW 2MM	dwg no	10148139		rev	F
						MINITEK BLINDMATE					
					cat. no.	-		Product - Customer Drw	sheet 2 of 3		

A

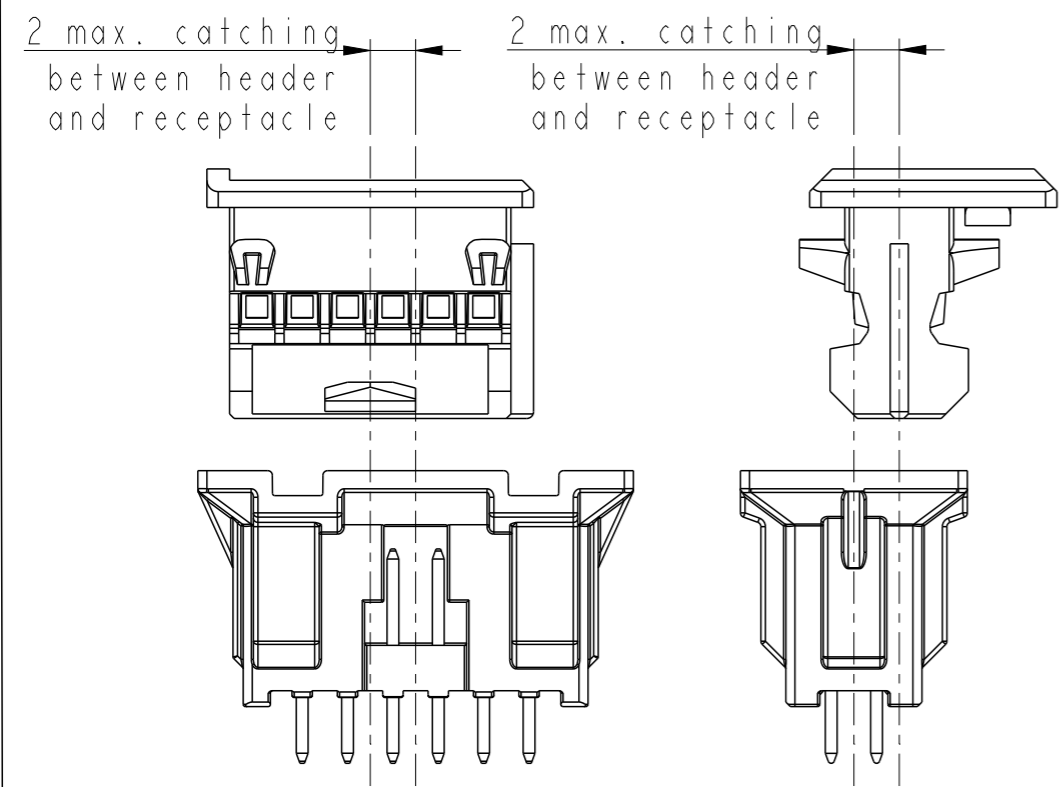
B

A

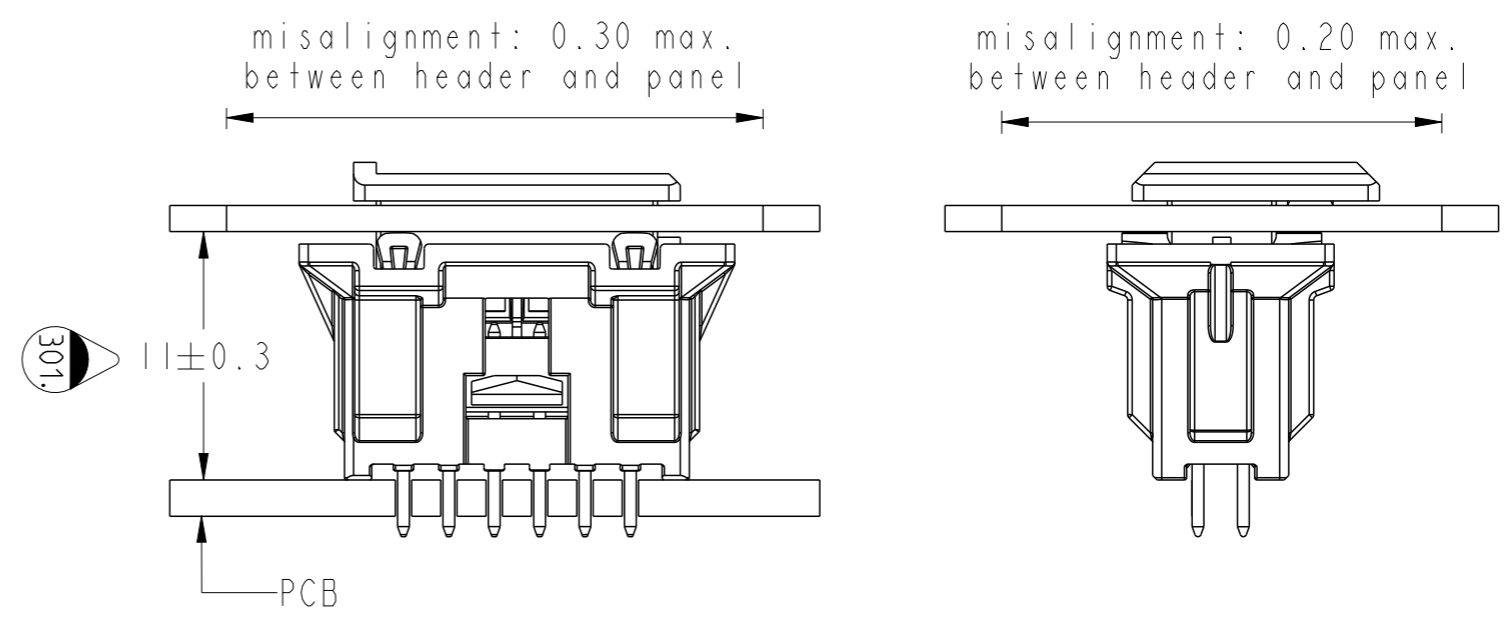
B



Catching



Misalignment / stack height



C

C

Amphenol FCI

© 2020 Amphenol Corporation

D

D

spec ref	-	dr	Sawanth, Ambaa	2019/03/19	projection	mm	size	A3	scale	4:1
tolerance std	ISO 406 ISO 1101	eng	Detouillon, Da	2023/06/05			ecn no	ELX-F-48403-1		
TOLERANCES UNLESS OTHERWISE SPECIFIED		chr	-	-			rel level	Released		
surface	linear	0.X	±0.3	Amphenol FCI	product family	-	rel level	Released		
		0.XX	±0.10		MINITEK HOUSING CTW 2MM	dwg no	10148139			
	angular	0°	±2°		MINITEK BLINDMATE	rev	F			
ISO 1302				cat. no.	-	Product - Customer Drw	sheet 3 of 3			