

**Features:**

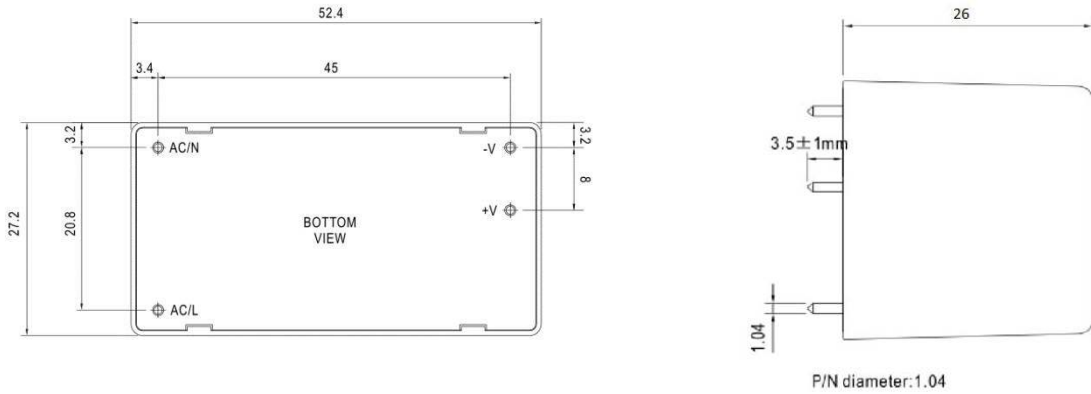
- Compact size, PCB mount
- Industry leading 300VAC Universal AC input
- RF friendly shielded case dramatically reduces emissions enabling close proximity placement to RF circuits and antennas
- 85°C Ambient Temperature Operation
- Protection: Short Circuit, Overload, Over Voltage, Over Temperature
- Free air Convection Cooling
- Isolation Class II
- No load power consumption < 0.1W
- 100% full load burn-in test
- High reliability
- 1 Year Warranty


**Specifications**

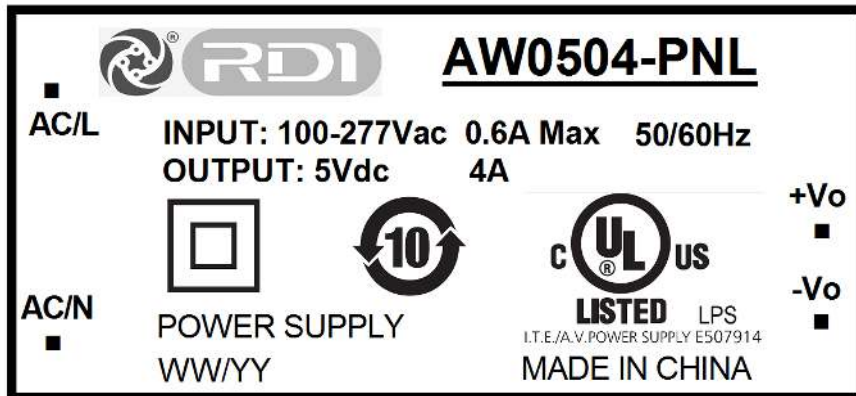
MODEL		AW0504-PNL
OUTPUT	DC VOLTAGE	5V
	RATED CURRENT	4A
	CURRENT RANGE	0~4A
	RATED POWER	200mVp-p
	RIPPLE / NOISE (max.)	±2.5%
	VOLTAGE TOLERANCE	±0.5%
	LINE REGULATION	±1%
	SETUP/RISETIME	1000ms, 20ms/230VAC 1000ms, 20ms/115VAC at full load
	HOLD UP TIME	40ms/230VAC 8ms/115VAC at full load
INPUT	VOLTAGE RANGE	100VAC ~ 300VAC, 120VDC ~ 370VDC
	FREQUENCY RANGE	47Hz ~ 440Hz
	EFFICIENCY (Typ.)	79%
	AC CURRENT (Typ.)	0.6A @ 115VAC, 0.4A @ 230VAC

<b>MODEL</b>		<b>AW0504-PNL</b>
	<b>INRUSH CURRENT (Typ)</b>	COLD START 20A @ 115VAC, 40A @ 230VAC
	<b>LEAKAGE CURRENT</b>	< 0.25mA / 240VAC
<b>PROTECTION</b>	<b>OVERLOAD</b>	115% ~ 160% rated output power Protection type: Hiccup mode, recovers automatically after fault condition is removed
		<b>OVER VOLTAGE</b>
<b>ENVIRONMENT</b>	<b>WORKING TEMP.</b>	-30°C ~ +85°C (Refer to "Derating Curve")
	<b>WORKING HUMIDITY</b>	20% ~ 90% RH non-condensing
	<b>STORAGE TEMP HUMIDITY</b>	-40°C ~ +85°C, 10% ~ 95% RH
	<b>TEMP. COEFFICIENT</b>	±0.03% / °C (0°C ~ 50°C)
	<b>VIBRATION</b>	10Hz ~ 500Hz, 5G 10min. / 1-cycle, period for 60 min. each along X, Y, Z axes
<b>SAFETY / EMC</b>	<b>SAFETY STANDARDS</b>	UL62368, TUV EN62368 approved
	<b>WITHSTAND VOLTAGE</b>	I/P - O/P: 3KVAC
	<b>ISOLATION RESISTANCE</b>	I/P - O/P: 100M Ohms / 500VDC / 25% - 70% RH
	<b>EMC EMISSION</b>	Compliance to EN55032 (CISPR32) Class B, EN61000-3-2,-3
	<b>EMC IMMUNITY</b>	Compliance to EN61000-4-2,3,4,5,6,8,11, EN55024, heavy industry level (surge L-N:1KV), criteria A
<b>OTHERS</b>	<b>MTBF</b>	970.3Khrs min. MIL-HDBK-217F (25°C)
	<b>DIMENSION</b>	52.4 * 27.2 * 24mm (L * W * H)
	<b>PACKING</b>	0.05Kg / 240pcs / 13Kg / 0.97CUFT

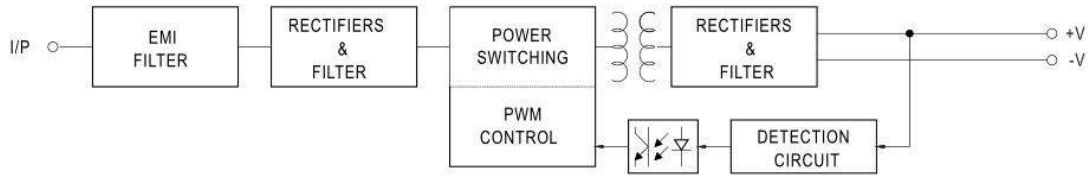
## Mechanical Specifications



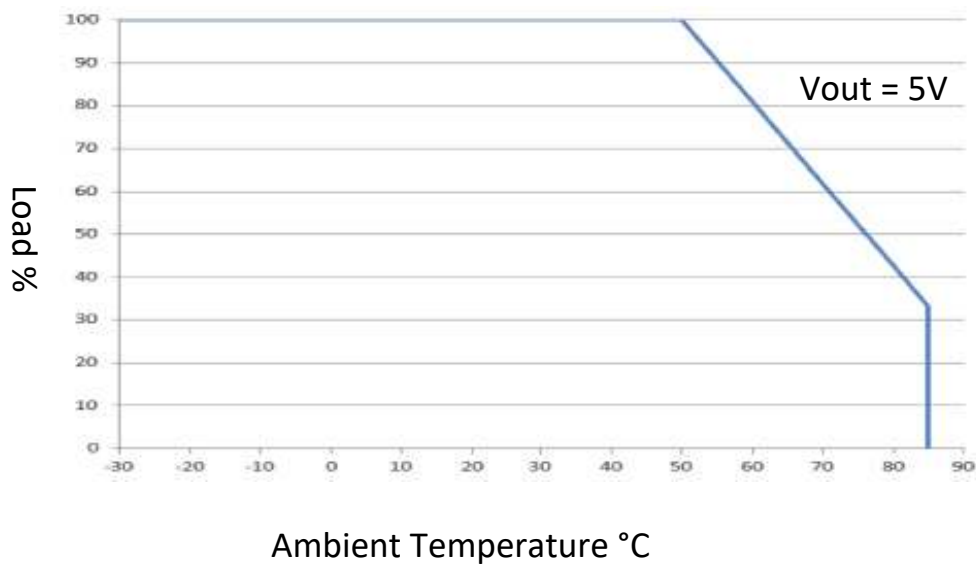
## Labeling



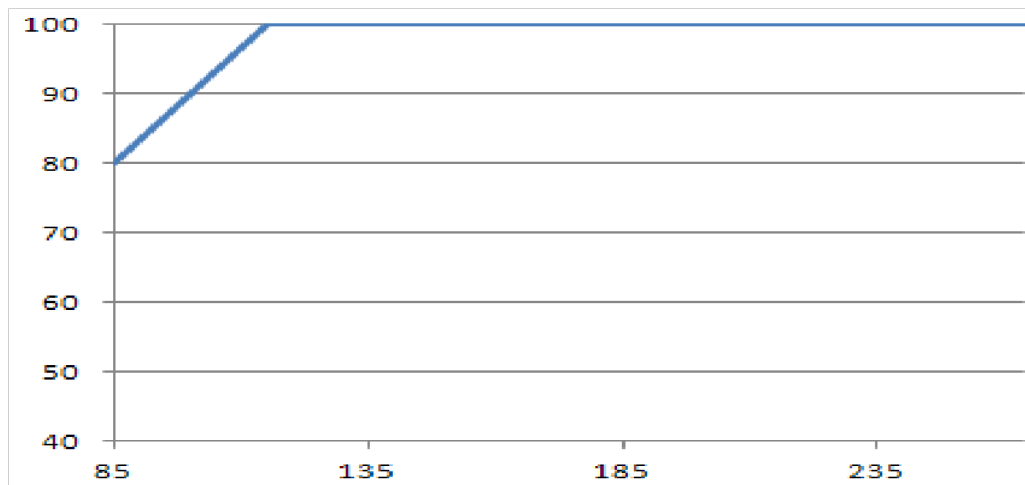
## Block Diagram



## Temperature Derating Curve



## Output Derating vs. Input Voltage



**Notes**

---

1. The parts are manufactured in accordance with this specification. If other conditions and specifications which are required for this specification, please contact RDI for more information.
2. RDI will supply the parts in accordance with this specification unless we receive a written request to modify prior to an order placement.
3. In no case shall RDI be liable for any product failure from in appropriate handling or operation of the item beyond the scope of this specification.
4. When changing your production process, please notify RDI immediately.
5. RDI products are COTS – Commercial-Off-The-Shelf products; suitable for Commercial, Industrial and Consumer Applications. RDI's products are not specifically designed for Military, Aviation, Aerospace, Life-dependent Medical applications or any application requiring high reliability where component failure could result in loss of life and/or property. For applications requiring high reliability and/or presenting an extreme operating environment, written consent and authorization from RDI is required. Please contact RDI for more information.