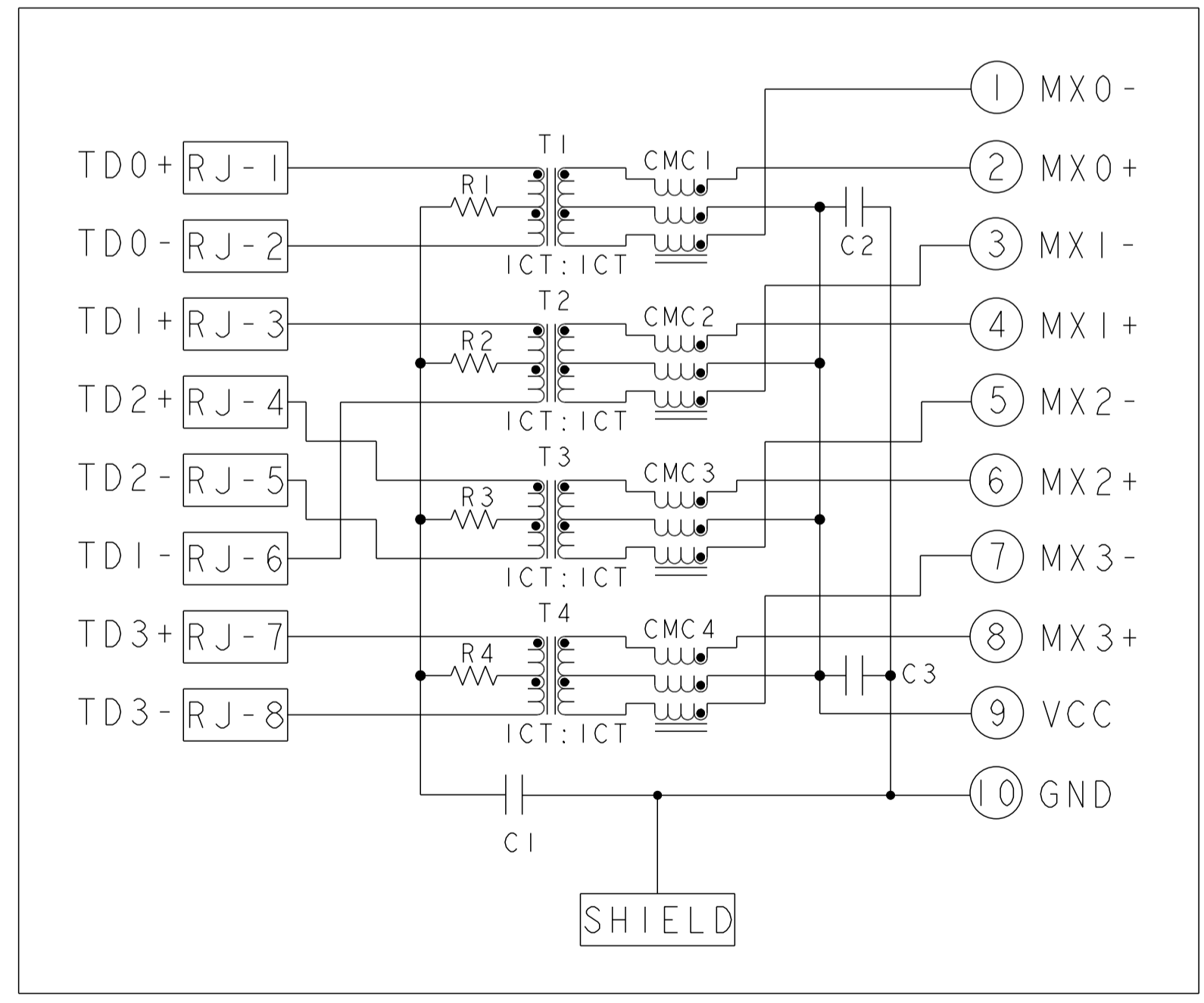


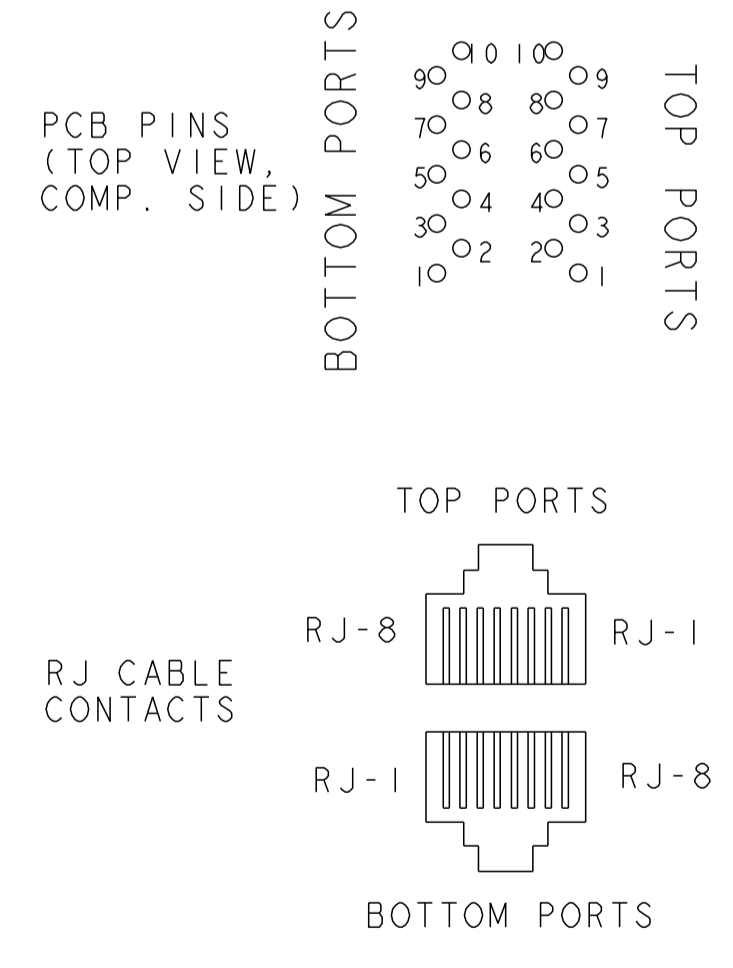
S8G56 GIGABIT CIRCUIT

TOP AND BOTTOM PORTS



C1 = 1000pF, 2kV CAPACITOR
 C2 - C3 = 10nF, 50V CAPACITORS
 R1 - R4 = 75 Ohms, 1/16W, RESISTORS

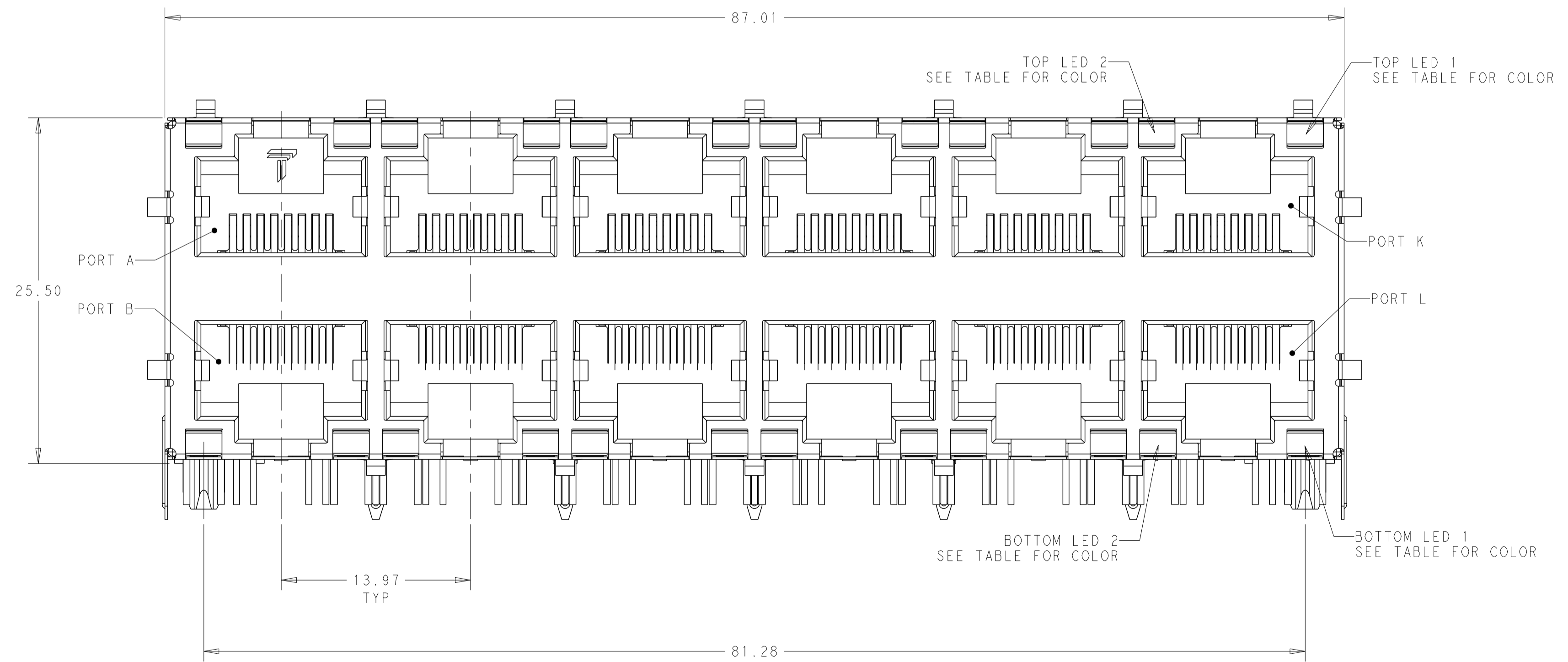
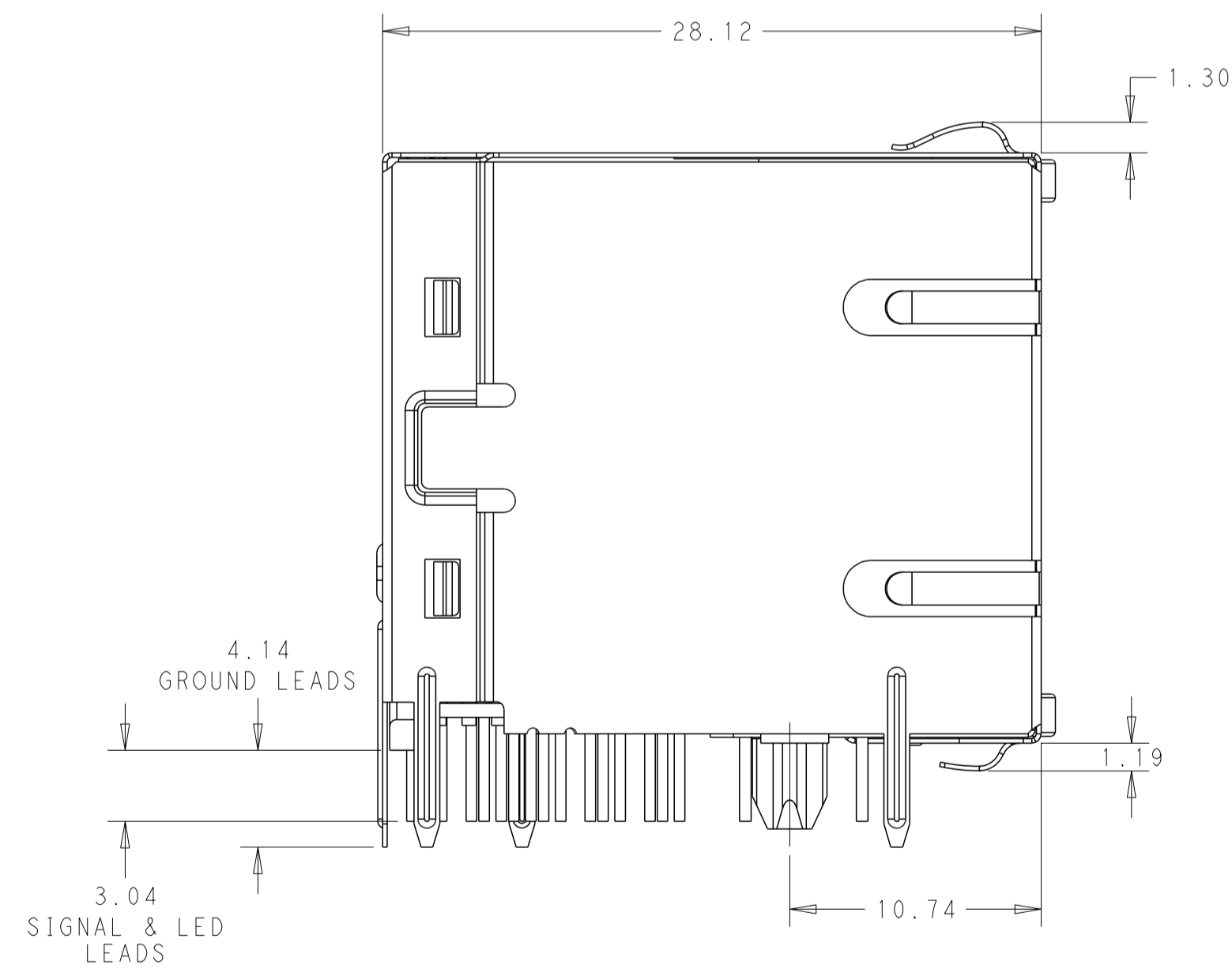
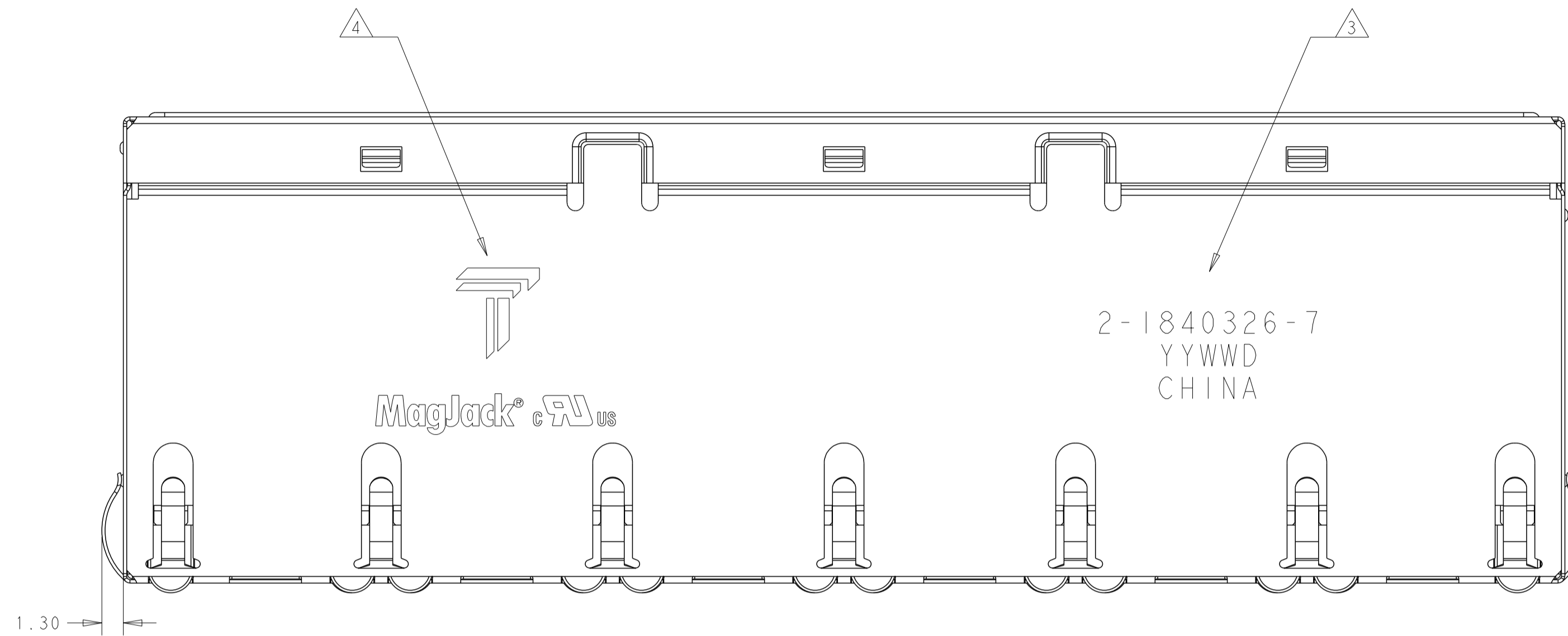
PIN DESIGNATIONS
 (REPEAT FOR EACH VERTICAL PAIR OF PORTS.)



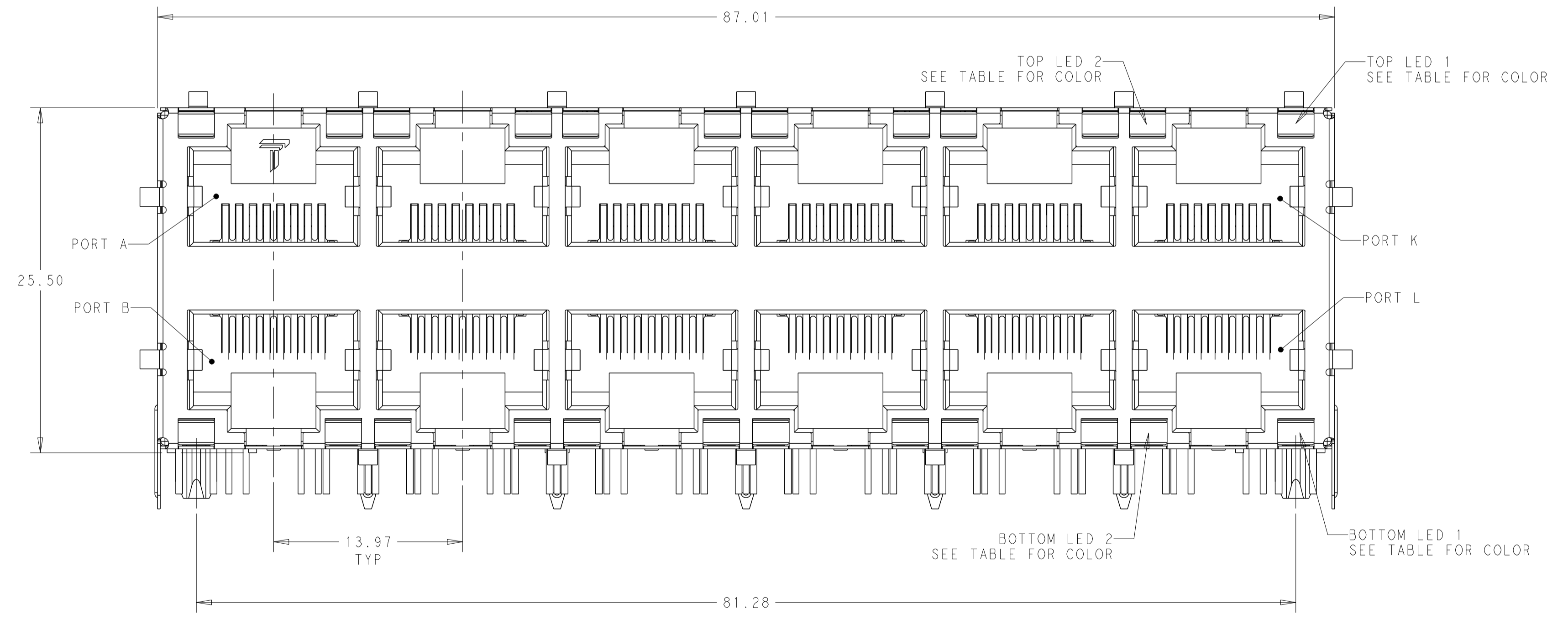
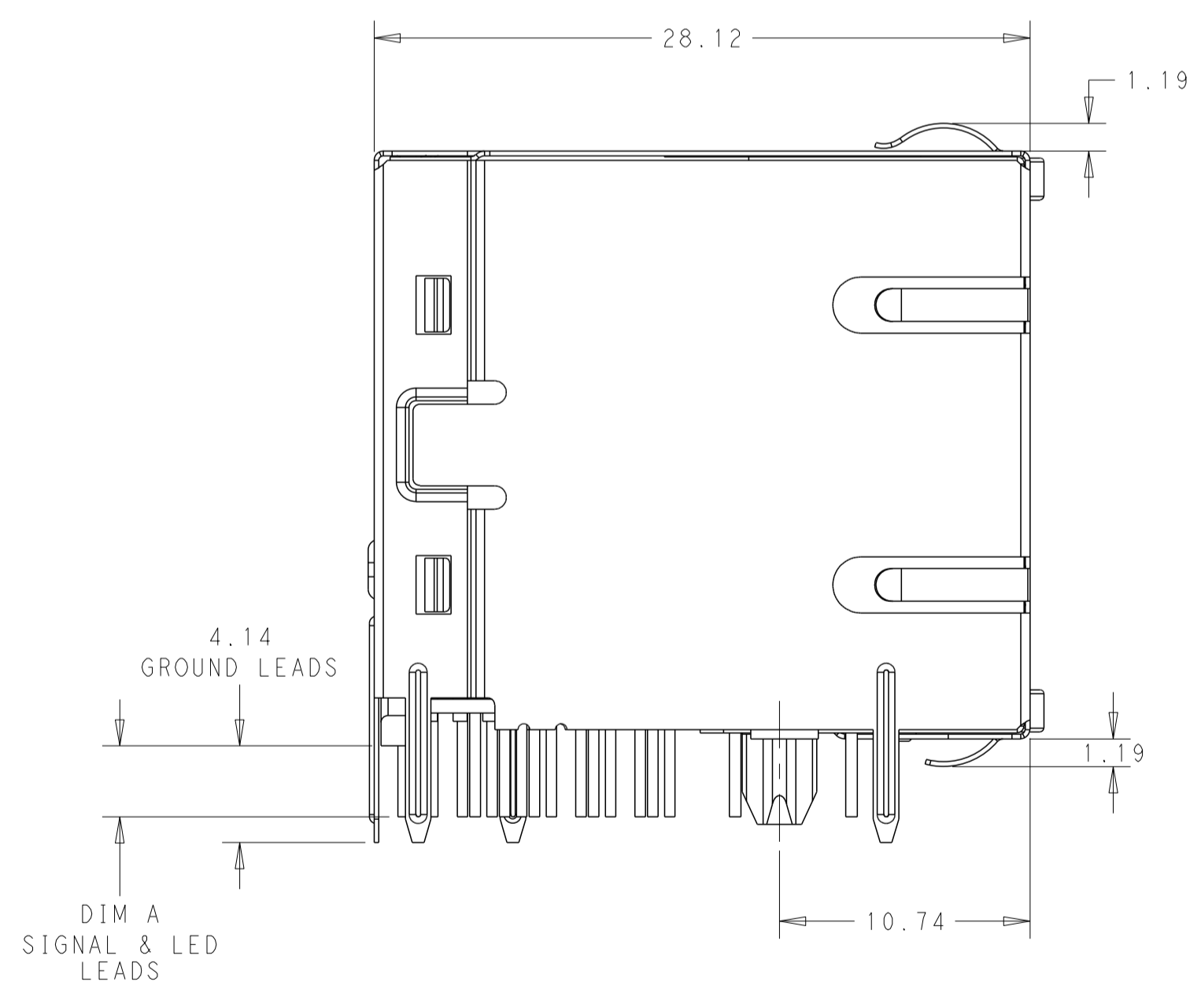
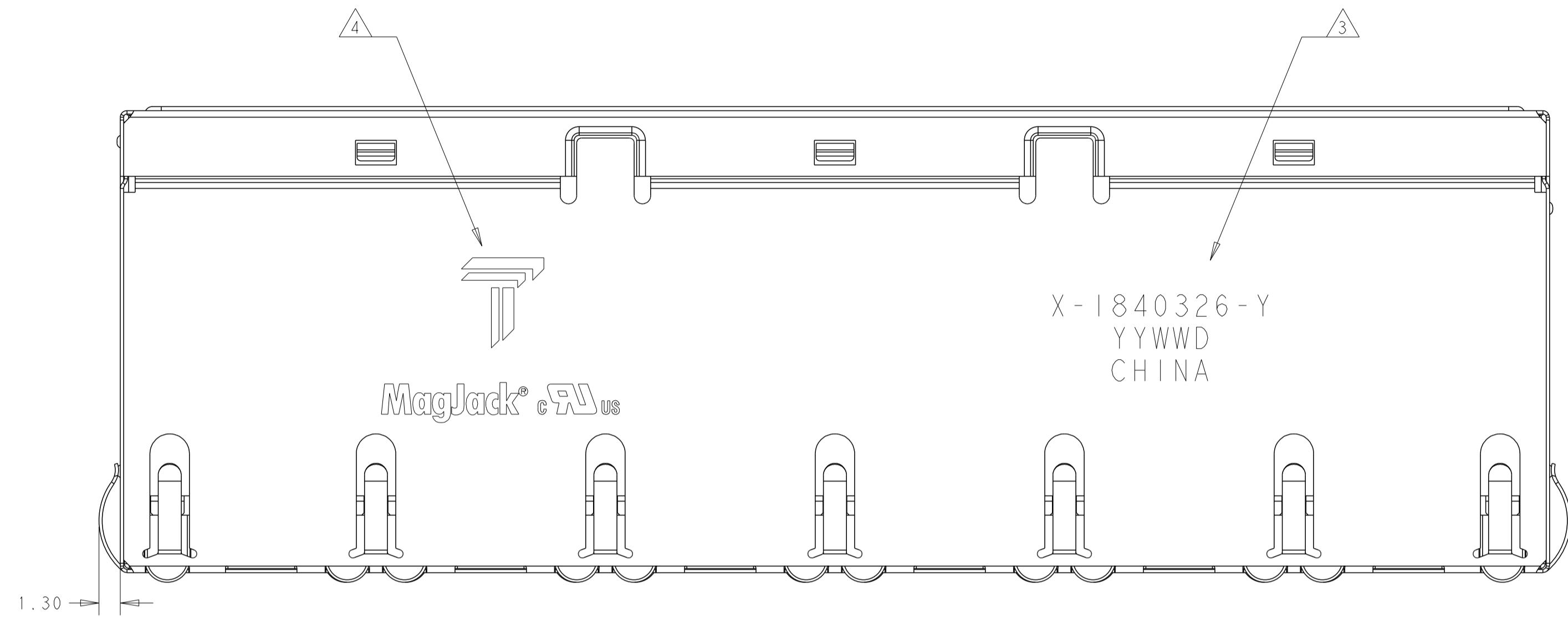
- MATERIALS:
 PLASTIC HOUSING: BLACK, THERMOPLASTIC FLAMMABILITY RATING UL 94V-0
 SHIELD: BRASS, PREPLATED WITH 0.76um MIN SEMI-BRIGHT NICKEL, POST DIPPED WITH 2.54um MIN SAC SOLDER ON SOLDER TAILS,
 CONTACTS: PHOSPHOR BRONZE, 1.27um MIN OVERALL NICKEL UNDERPLATE, WITH SELECT 0.05um MIN GOLD OVER 0.76um MIN PALLADIUM-NICKEL AT MATING INTERFACE AND 2.54um MIN MATTE TIN ON SOLDER TAILS.
 LED: DIFFUSED EPOXY LENS, CARBON STEEL LEAD FRAME TAILS OF LED ARE PREPLATED WITH 2.03um MIN SILVER OVER 1.02um MIN NICKEL UNDERPLATE OVER 1.02um MIN COPPER UNDERPLATE. POST-PLATED WITH 2.54um MIN MATTE TIN AND/OR SAC SOLDER DIP OR PURE TIN SOLDER DIP
 ALL PC BOARDS: HIGH TEMPERATURE PCB, TG>170°C
- MAGNETICS
 APPLICATION: 10/100/1000 BASE-T
 IMPEDANCE: 100 OHMS
 TURNS RATIO (CHIP:CABLE): 1:1 ALL FOUR PAIRS
 OPEN CIRCUIT INDUCTANCE (OCL): 350uH MIN @100kHz, 0.1VRMS,
 8mADC BIAS FROM 0°C TO 70°C, ALL FOUR PAIRS
 ALL FOUR PAIRS BI-DIRECTIONAL
 PERFORMANCE @ 25°C:
 INSERTION LOSS (IL): 1.1dB MAX FROM 0.5MHz TO 100MHz
 RETURN LOSS (RL): 18dB MIN FROM 0.5MHz TO 40MHz
 12-20LOG(f/80)dB MIN FROM 40.1MHz TO 100MHz
 CROSSTALK ATTENUATION: 35dB MIN FROM 0.5MHz TO 40MHz
 33-20LOG(f/50)dB MIN FROM 40.1MHz TO 100MHz
 COMMON MODE REJECTION RATIO (CMRR): 30dB MIN FROM 0.5MHz TO 100MHz
 ISOLATION VOLTAGE: 2250VDC(MAX) FOR 60 SECONDS WITH A RISE TIME OF 500V/SEC AND WITH ALL PORTS CONNECTED.
- PART NUMBER, DATE CODE AND COUNTRY OF ORIGIN ARE LOCATED IN APPROXIMATE AREA SHOWN. DATE CODE: YYWW WHERE "YY" IS YEAR, "WW" IS WEEK, "D" IS DAY OF WEEK, WITH SUNDAY=1.
- TRP LOGO AND AGENCY APPROVAL LOGO ARE LOCATED IN APPROXIMATE AREA SHOWN.
- OPERATING TEMP: FROM 0°C TO +70°C.
- RJ45 CAVITY CONFORMS TO FCC RULES AND REGULATION PART 68 SUBPART F.
- INDICATED MAGNETIC CONNECTIONS ARE SYMMETRICAL AND SUPPORT AUTO-MDI/MDIX.
- DATUM AND BASIC DIMENSION ESTABLISHED BY CUSTOMER.
- BASIC DIMENSION ESTABLISHED BY CUSTOMER, BUT MAY NOT BE GREATER THAN 5.08mm.
- LEDS ARE DRIVEN WITH CONSTANT CURRENT AT APPROX 20mA
 LED COLOR: DOMINANT WAVELENGTH (λD): GREEN 568 nm TYP. @ IF=20mA
 FORWARD VOLTAGE (VF): GREEN 2.2V TYP. @ IF=20mA
 DOMINANT WAVELENGTH (λD): ORANGE 605 nm TYP. @ IF=20mA
 FORWARD VOLTAGE (VF): ORANGE 2.1V TYP. @ IF=20mA
 DOMINANT WAVELENGTH (λD): YELLOW 588 nm TYP. @ IF=20mA
 FORWARD VOLTAGE (VF): YELLOW 2.1V TYP. @ IF=20mA
- THE PARTS ARE RECOMMENDED FOR WAVE SOLDERING PROCESS, PEAK TEMPERATURE 260°C MAX, 10 SECONDS MAX.

SEE SHEET 3	2.40	GRN/YEL	GRN/YEL	GRN/YEL	GRN/YEL	3-1840326-4
SEE SHEET 3	2.40	GREEN	GREEN	GREEN	GREEN	3-1840326-1
SEE SHEET 3	3.04	GRN/YEL	GREEN	GRN/YEL	GREEN	1840326-5
SEE SHEET 3	3.04	GRN/YEL	GRN/YEL	GRN/YEL	GRN/YEL	1840326-4
SEE SHEET 2	3.04	GRN/ORA	GRN/ORA	GRN/ORA	GRN/ORA	2-1840326-7
SEE SHEET 3	3.56	GRN/ORA	GRN/ORA	GRN/ORA	GRN/ORA	1-1840326-7
SEE SHEET 3	3.56	GRN/YEL	GRN/YEL	GRN/YEL	GRN/YEL	1-1840326-4
SEE SHEET 3	3.04	GREEN	GREEN	GREEN	GREEN	1840326-1
OUTLINE DIMENSION	DIM A	BOTTOM LED 2	BOTTOM LED 1	TOP LED 2	TOP LED 1	PART NUMBER
THIS DRAWING IS A CONTROLLED DOCUMENT.		DRW: TOMMY REN	30JAN2010			
		CHK: TONY YUAN	30JAN2010			
		APPR: KEITH ZHU	30JAN2010			
DIMENSIONS: mm		TOLERANCES UNLESS OTHERWISE SPECIFIED:		DONGGUAN CHINA		
		0 PLC	±0.25	MODEL NAME: MAGJACK DESC: 2X6 S8G56 GIGABIT W/ LED		
		1 PLC	±0.25	SIZE: A1 CAGE CODE: 1840326		
		2 PLC	±0.25	DRAWING NO: 1840326		
		3 PLC	±	RESTRICTED TO:		
		4 PLC	±	SCALE: NTS SHEET 1 OF 5 REV N		
PRODUCT SPEC: 108-104004		APPLICATION SPEC: -		CUSTOMER DRAWING		

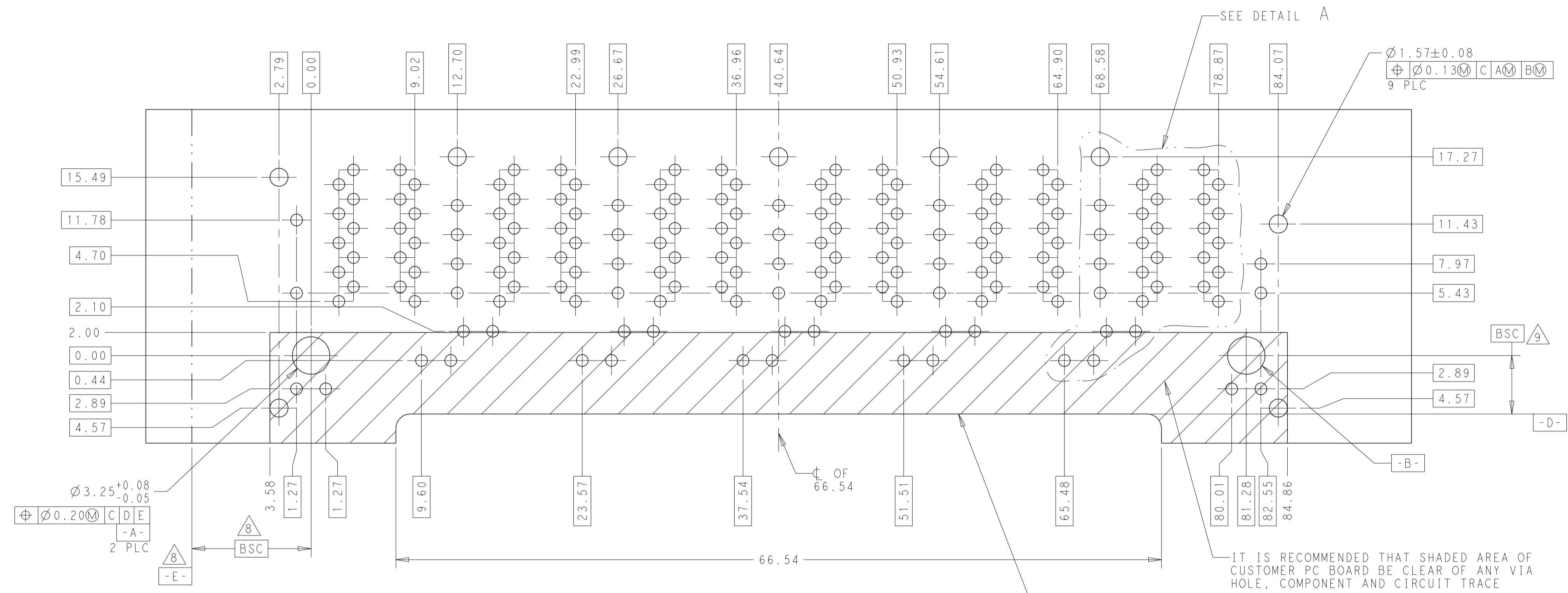
THIS SHEET FOR 2-1840326-7 ONLY



THIS DRAWING IS A CONTROLLED DOCUMENT.		DRW: TOMMY REN 30JAN2010	<p>trp CONNECTOR a bel group</p> <p>DONGGUAN CHINA</p>
DIMENSIONS: mm		CHK: TONY YUAN 30JAN2010	
		APP'D: KEITH ZHU 30JAN2010	
TOLERANCES UNLESS OTHERWISE SPECIFIED:		MODEL NAME	DESC: 2X6 S8G56 GIGABIT W/ LED
0 PLC	±0.25	MAGJACK	SIZE: A1
1 PLC	±0.25	STACK Non-PoE	CAGE CODE: C=1840326
2 PLC	±0.25	CUSTOMER DRAWING	DRAWING NO: -
3 PLC	±		RESTRICTED TO: -
4 PLC	±		SCALE: NTS
ANGLES	±		SHEET: 2 OF 5
APPLICATION SPEC	±		REV: N
PRODUCT SPEC	-		
108-104004			

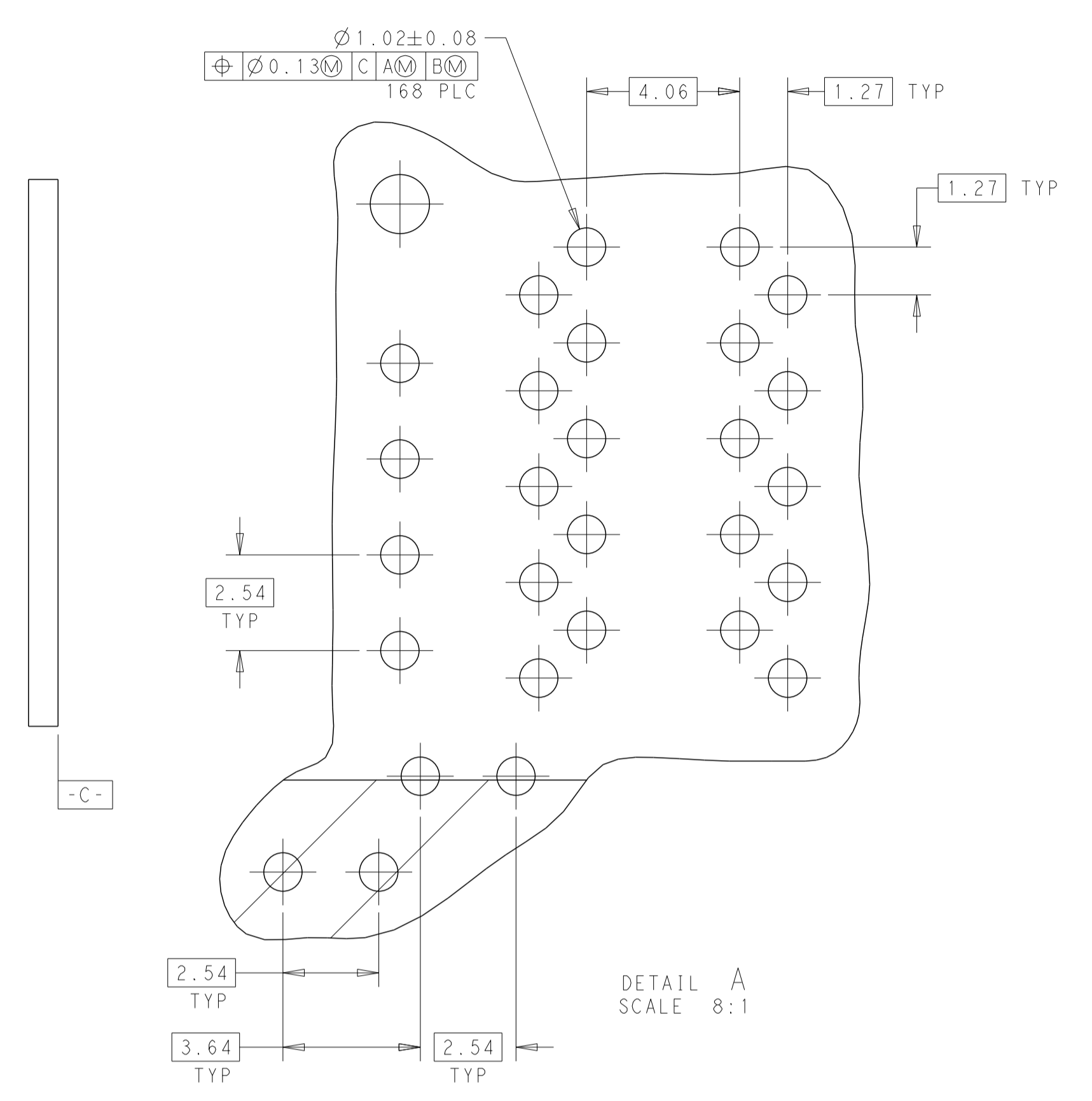


THIS DRAWING IS A CONTROLLED DOCUMENT.		DWN: TOMMY REN 30JAN2010 CHK: TONY YUAN 30JAN2010 APVD: KEITH ZHU 30JAN2010	DONGGUAN CHINA
DIMENSIONS: mm	TOLERANCES UNLESS OTHERWISE SPECIFIED: 0 PLC ±0.25 1 PLC ±0.25 2 PLC ±0.25 3 PLC ± 4 PLC ± ANGLES APPLICATION SPEC ±	MODEL NAME MAGJACK STACK Non-PoE	
PRODUCT SPEC 108-104004		SIZE A1	CAGE CODE C=1840326
CUSTOMER DRAWING		SCALE	NTS SHEET 3 OF 5 REV N

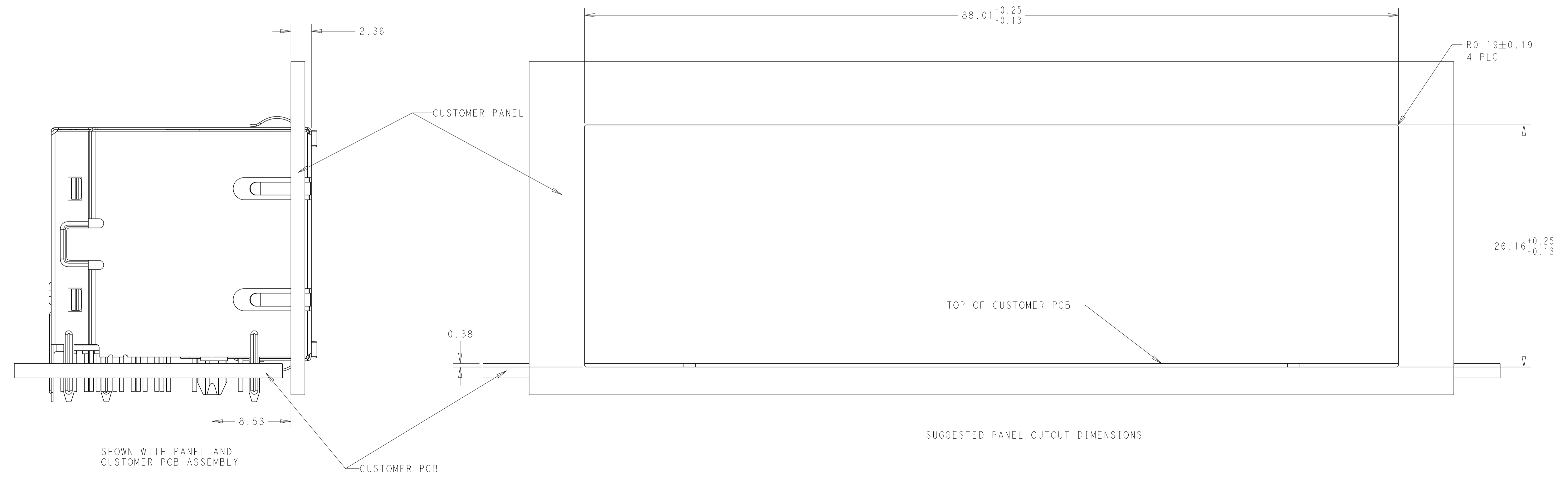


RECOMMENDED PCB LAYOUT COMPONENT SIDE VIEW

IT IS RECOMMENDED THAT SHADED AREA OF CUSTOMER PC BOARD BE CLEAR OF ANY VIA HOLE, COMPONENT AND CIRCUIT TRACE
RECOMMENDED PCB FRONT EDGE CUTOUT: THE BOTTOM SHIELD GROUND TABS(FRONT) SHOULD NOT BE SEATED ON THE TOP OF THE PCB



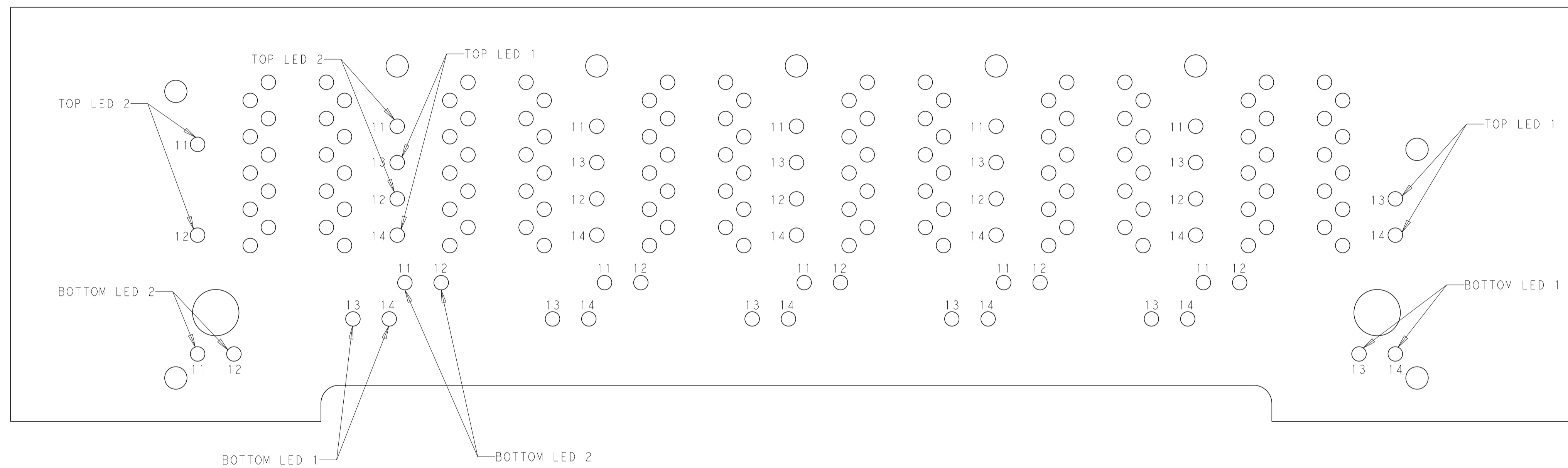
DETAIL A SCALE 8:1



SUGGESTED PANEL CUTOUT DIMENSIONS

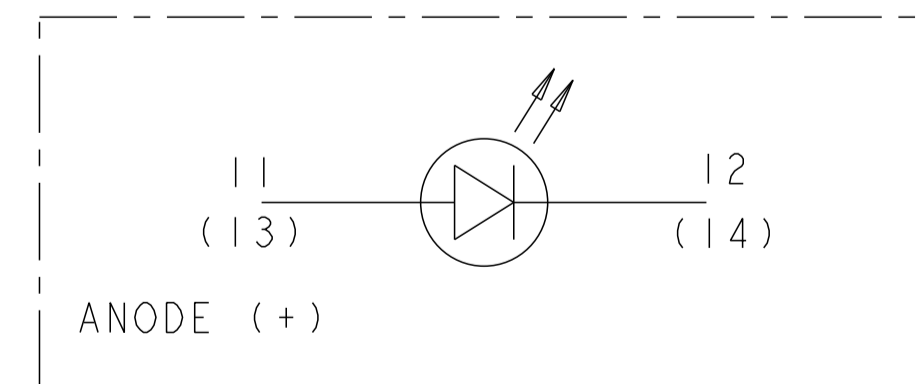
SHOWN WITH PANEL AND CUSTOMER PCB ASSEMBLY

THIS DRAWING IS A CONTROLLED DOCUMENT.		DRW: TOMMY REN 30JAN2010	trp CONNECTOR a bel group DONGGUAN CHINA
DIMENSIONS: mm		CHK: TONY YUAN 30JAN2010	
		APP'D: KEITH ZHU 30JAN2010	
TOLERANCES UNLESS OTHERWISE SPECIFIED: 0 PLC ±0.25 1 PLC ±0.25 2 PLC ±0.25 3 PLC ± 4 PLC ± ANGLES ± APPLICATION SPEC ±		MODEL NAME: MAGJACK	DESC: 2X6 S8G56 GIGABIT W/ LED
PRODUCT SPEC: 108-104004		SIZE: A1	RESTRICTED TO: -
CUSTOMER DRAWING		SCALE: NTS	SHEET 4 OF 5 REV N

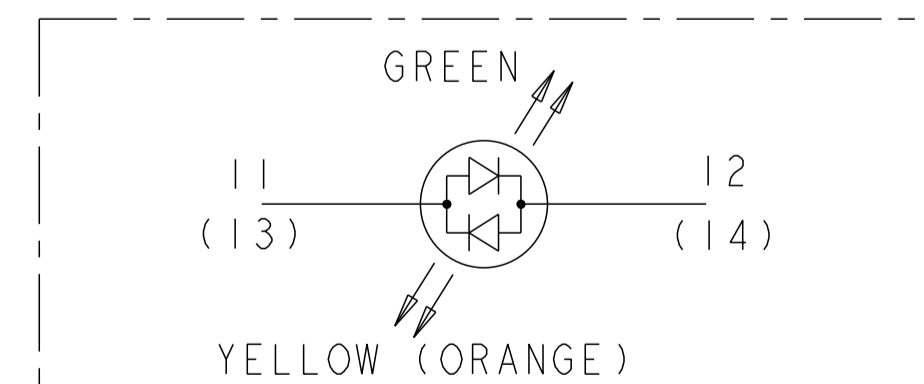



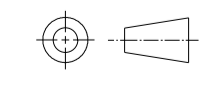
LED HOLE DESIGNATIONS VIEWED FROM COMPONENT SIDE

SINGLE COLOR LED



BI-COLOR LED



THIS DRAWING IS A CONTROLLED DOCUMENT.		DRW: TOMMY REN 30JAN2010	 trp CONNECTOR <small>a bel group</small>	DONGGUAN CHINA	
DIMENSIONS: mm		CHK: TONY YUAN 30JAN2010		DESC: 2X6 S8G56 GIGABIT W/ LED	RESTRICTED TO
		APP'D: KEITH ZHU 30JAN2010		MODEL NAME: MAGJACK	SIZE: A1
PRODUCT SPEC: 108-104004	TOLERANCES UNLESS OTHERWISE SPECIFIED:	APPL. SPEC: -	STACK Non-PoE	DRAWING NO: C=1840326	
CUSTOMER DRAWING			SCALE: NTS	SHEET 5 OF 5 REV N	