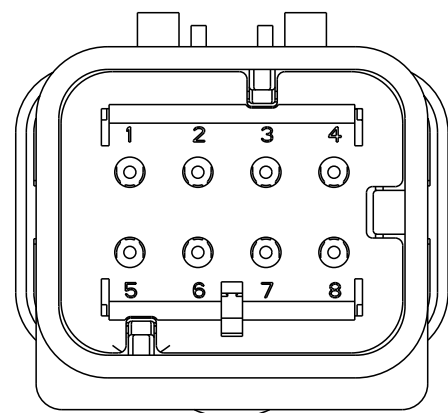
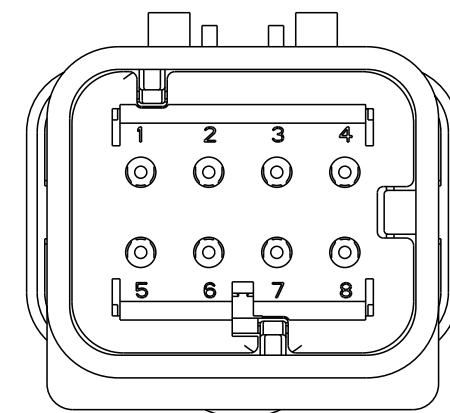


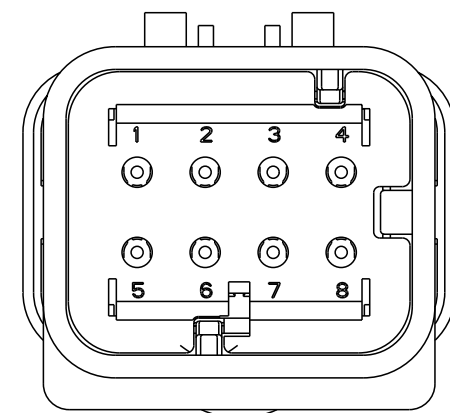
REVISIONS				
P	LTR	DESCRIPTION	DATE	APVD
C1		REVISED PER ECR-10-019377	04OCT2010	HMR T.M
D		REVISED PER ECR-14-000206	26DEC2013	DR RB
D1		REVISED ECR-19-001885	07FEB2019	KF TK



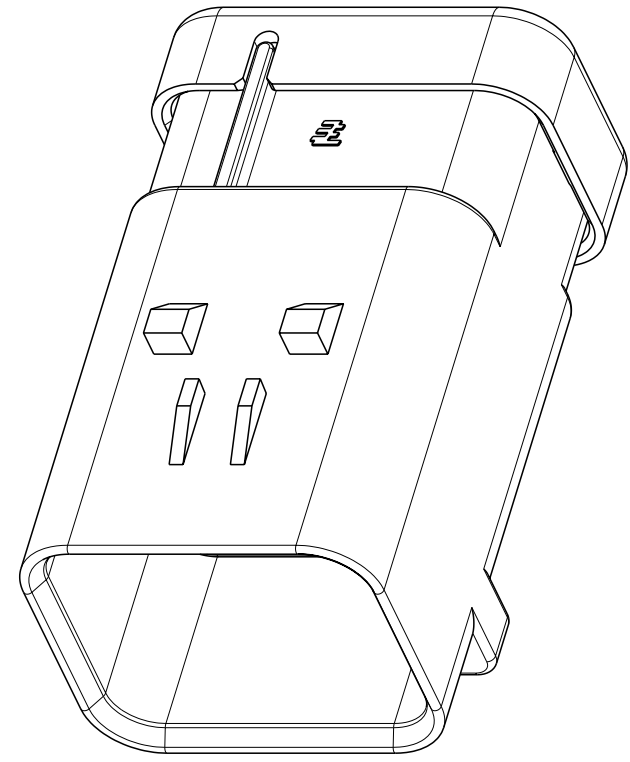
1871415-2  
SCALE 2:1



1871415-3  
SCALE 2:1

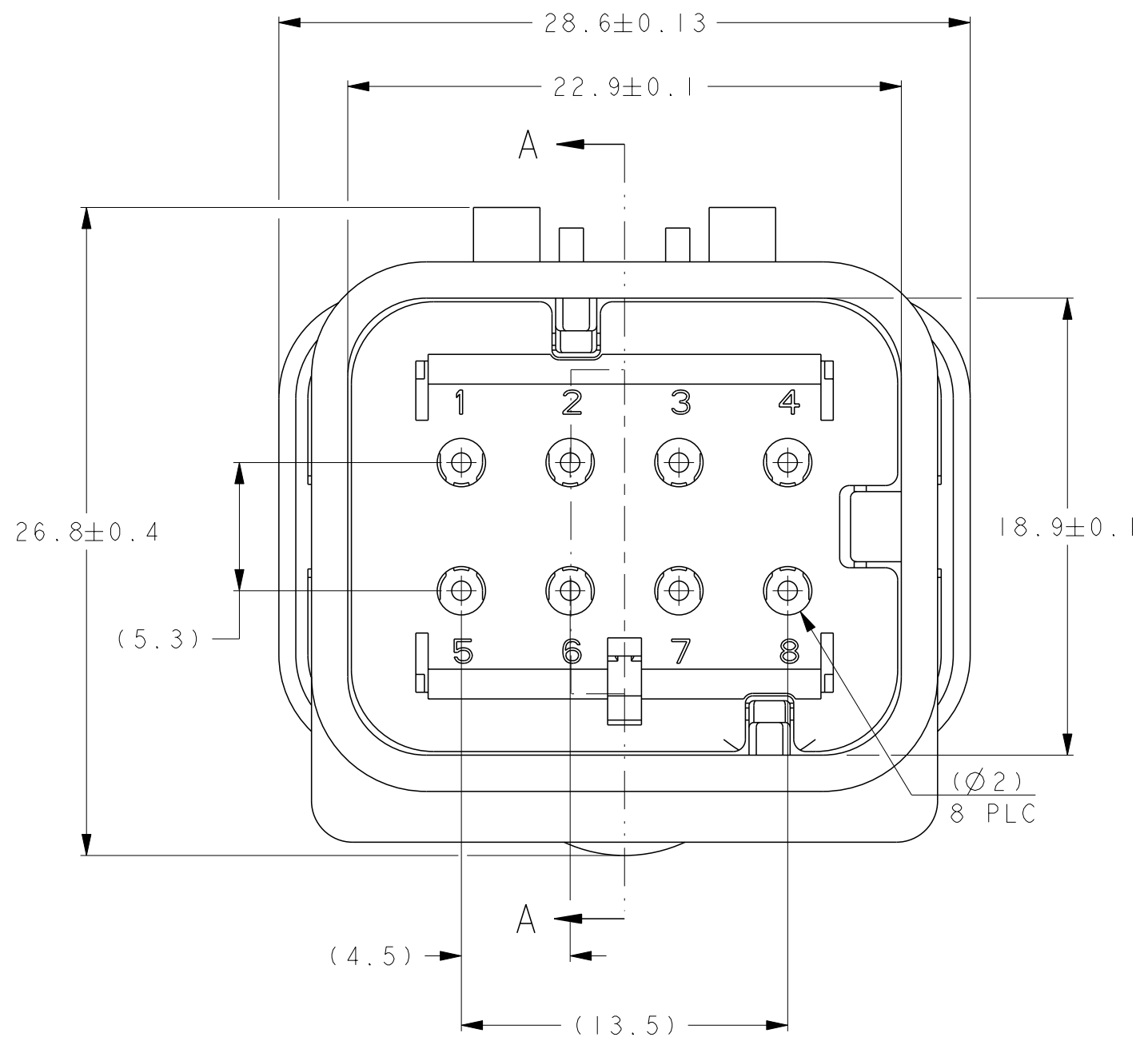


1871415-4  
SCALE 2:1

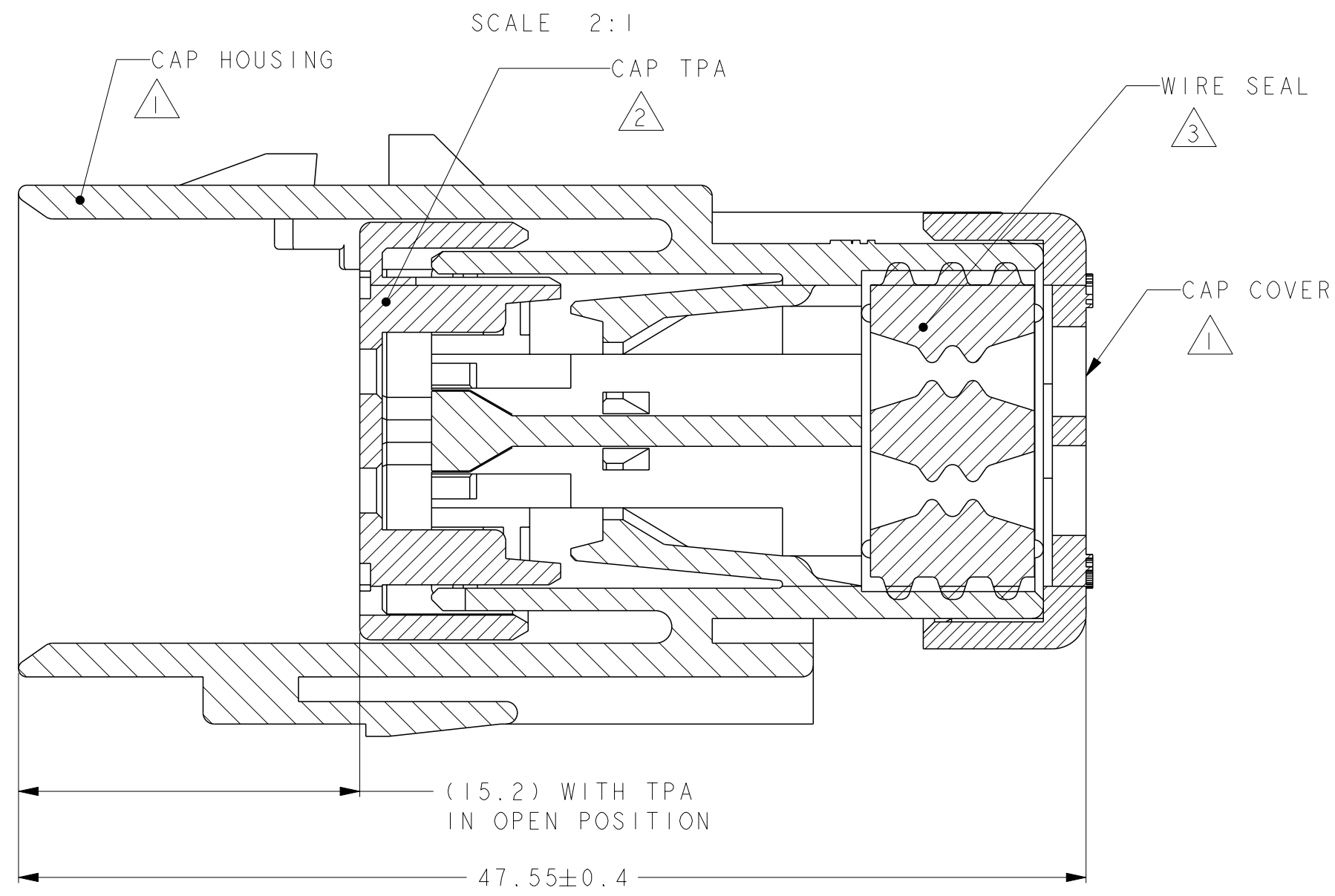


- ① MATERIAL: 15% GLASS FILLED THERMOPLASTIC  
COLOR: BLACK
- ② MATERIAL: 15% GLASS FILLED THERMOPLASTIC  
COLOR: (SEE TABLE)
- ③ MATERIAL: SILICONE  
COLOR: RUST

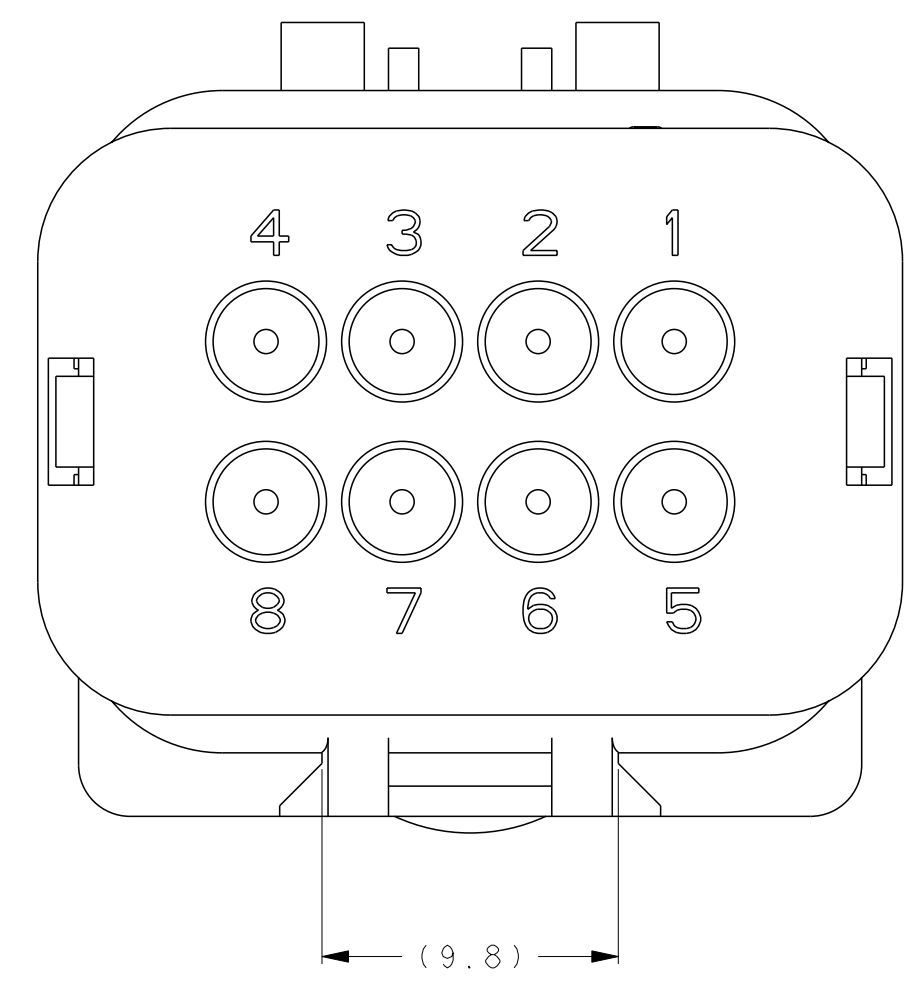
4. WIRE INSULATION RANGE:  $\phi 1.3 \sim \phi 2.3$



1871415-1 SHOWN



A - A  
OPEN POSITION



GREEN	1871415-4
YELLOW	1871415-3
GRAY	1871415-2
RED	1871415-1
TPA COLOR	PART NUMBER

THIS DRAWING IS A CONTROLLED DOCUMENT.		DWN Y. KATO 15JAN2004	TE Connectivity															
DIMENSIONS: mm		CHK S. MANABE 15JAN2004																
TOLERANCES UNLESS OTHERWISE SPECIFIED:		APVD S. MANABE 15JAN2004	NAME CAP ASSY, 8 POS. BRACKET REVERSE TYPE AMP SEAL 16															
<table border="1"> <tr><td>0 PLC</td><td>±</td></tr> <tr><td>1 PLC</td><td>±</td></tr> <tr><td>2 PLC</td><td>±</td></tr> <tr><td>3 PLC</td><td>±</td></tr> <tr><td>4 PLC</td><td>±</td></tr> <tr><td>ANGLES</td><td>±</td></tr> <tr><td>FINISH</td><td>-</td></tr> </table>		0 PLC	±	1 PLC	±	2 PLC	±	3 PLC	±	4 PLC	±	ANGLES	±	FINISH	-	PRODUCT SPEC 108-2184	SIZE A200779C-1871415	
0 PLC	±																	
1 PLC	±																	
2 PLC	±																	
3 PLC	±																	
4 PLC	±																	
ANGLES	±																	
FINISH	-																	
MATERIAL		APPLICATION SPEC 114-13065	DRAWING NO															
		WEIGHT	RESTRICTED TO															
		CUSTOMER DRAWING	SCALE 4:1 SHEET 1 OF 1 REV D1															