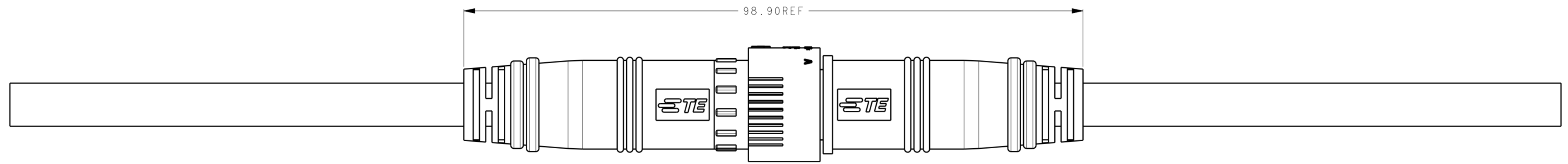
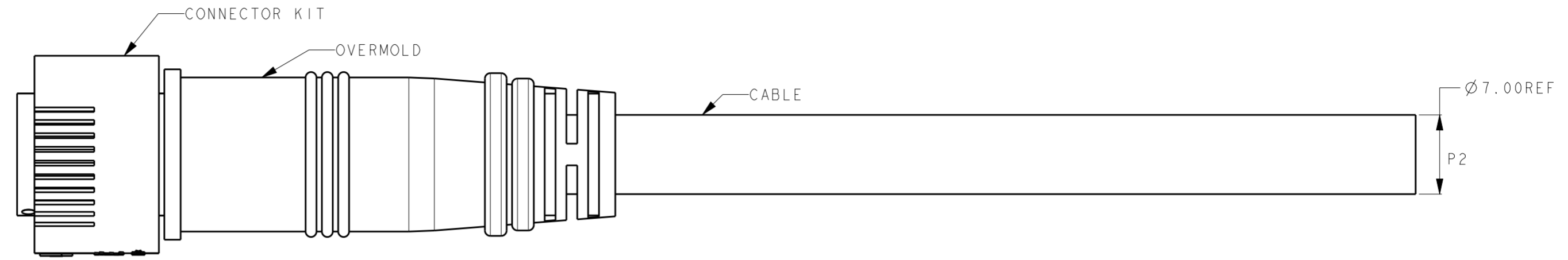
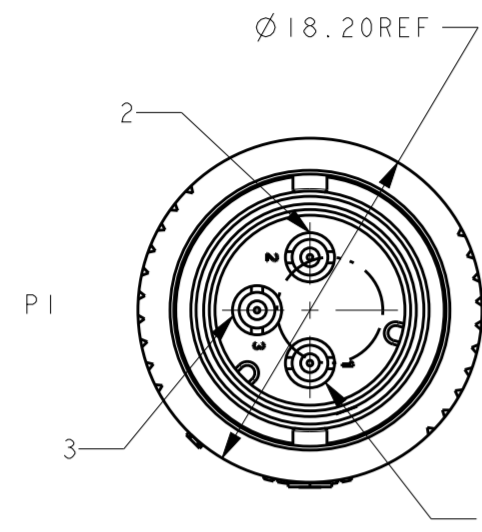


THIS DRAWING IS UNPUBLISHED. RELEASED FOR PUBLICATION 20
 © COPYRIGHT 20 BY - ALL RIGHTS RESERVED.

LOC	DIST	REVISIONS			
P	LTR	DESCRIPTION	DATE	DWN	APVD
-	-	A1	UPDATE TABLE	16APR2015	M.S X.X
		B	ECR-16-015004	25OCT2016	M.S X.X
		B1	ECR-17-000249	05JAN2017	M.S X.X
		C	ECR-19-006815	17MAY2019	F.F M.S



MATE WITH 2834003 SERIES

P1	WIRE COLOR	P2
P1-1	RED	-
P1-2	BLACK	-
P1-3	BROWN	-

NOTES:
 1. MATE WITH 2834003 SERIES.
 2. RATINGS:
 VOLTAGE: 300V AC/DC
 CURRENT: 6A MAX.
 TEMPERATURE: 80°C

P/N	CABLE	DIM A	L (mm)
9-2834002-1	RUBBER (THERMOPLASTIC ELASTOMER TYPE)	Ø 8.0	150±5
9-2834002-2			250±10
9-2834002-3			500±15
9-2834002-4			1000±15

OBSOLETE

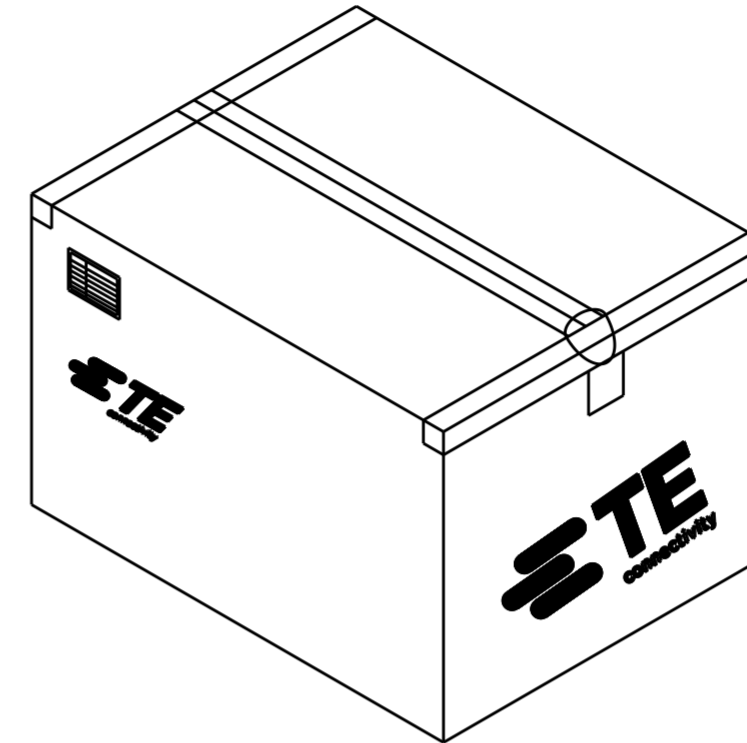
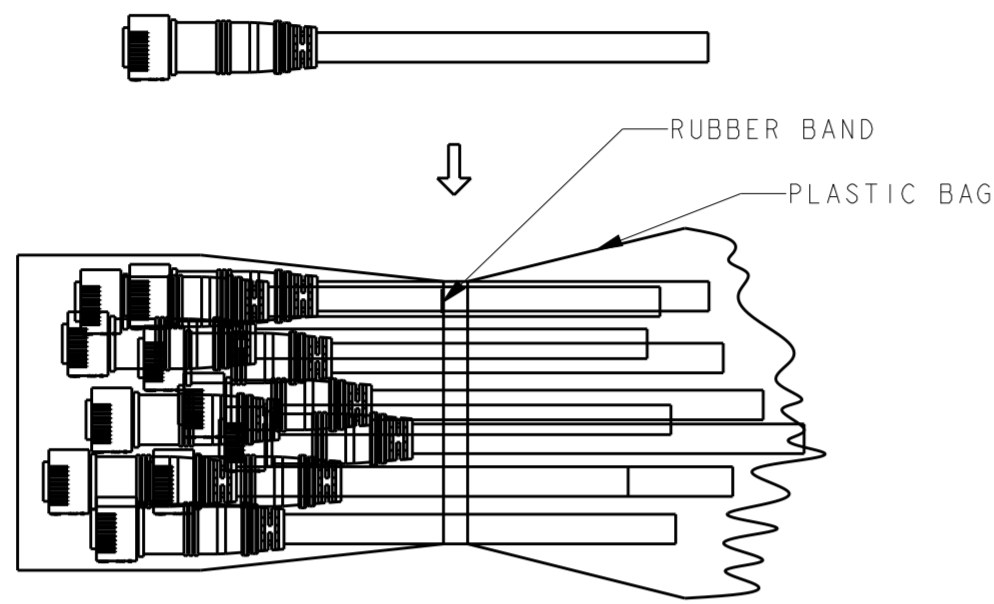
THIS DRAWING IS A CONTROLLED DOCUMENT.		DWN: FRANK FAN 17MAY2019	STE TE Connectivity	
DIMENSIONS: mm		CHK: GEORGE FU 17MAY2019		
TOLERANCES UNLESS OTHERWISE SPECIFIED:		APVD: MING SHI 17MAY2019	NAME: 3P MALE CABLE ASSEMBLY CIRCULAR LIGHTING SEALED CONN.	
0 PLC	±-	PRODUCT SPEC: 108-137041	RESTRICTED TO: -	
1 PLC	±1.0	APPLICATION SPEC: 114-137041	SIZE: A2	CAGE CODE: -
2 PLC	±0.5	WEIGHT: -	DRAWING NO: C-2834002	SCALE: 1:2
3 PLC	±-	MATERIAL: -	SHEET: 1	OF: 2
4 PLC	±-	Customer Drawing	REV: C	
ANGLES	±-			
FINISH	±-			

THIS DRAWING IS UNPUBLISHED. RELEASED FOR PUBLICATION 20
 © COPYRIGHT 20 BY - ALL RIGHTS RESERVED.

LOC		DIST		REVISIONS			
P	LTR	DESCRIPTION	DATE	DWN	APVD		
-	-	SEE SHEET 1	-	-	-		

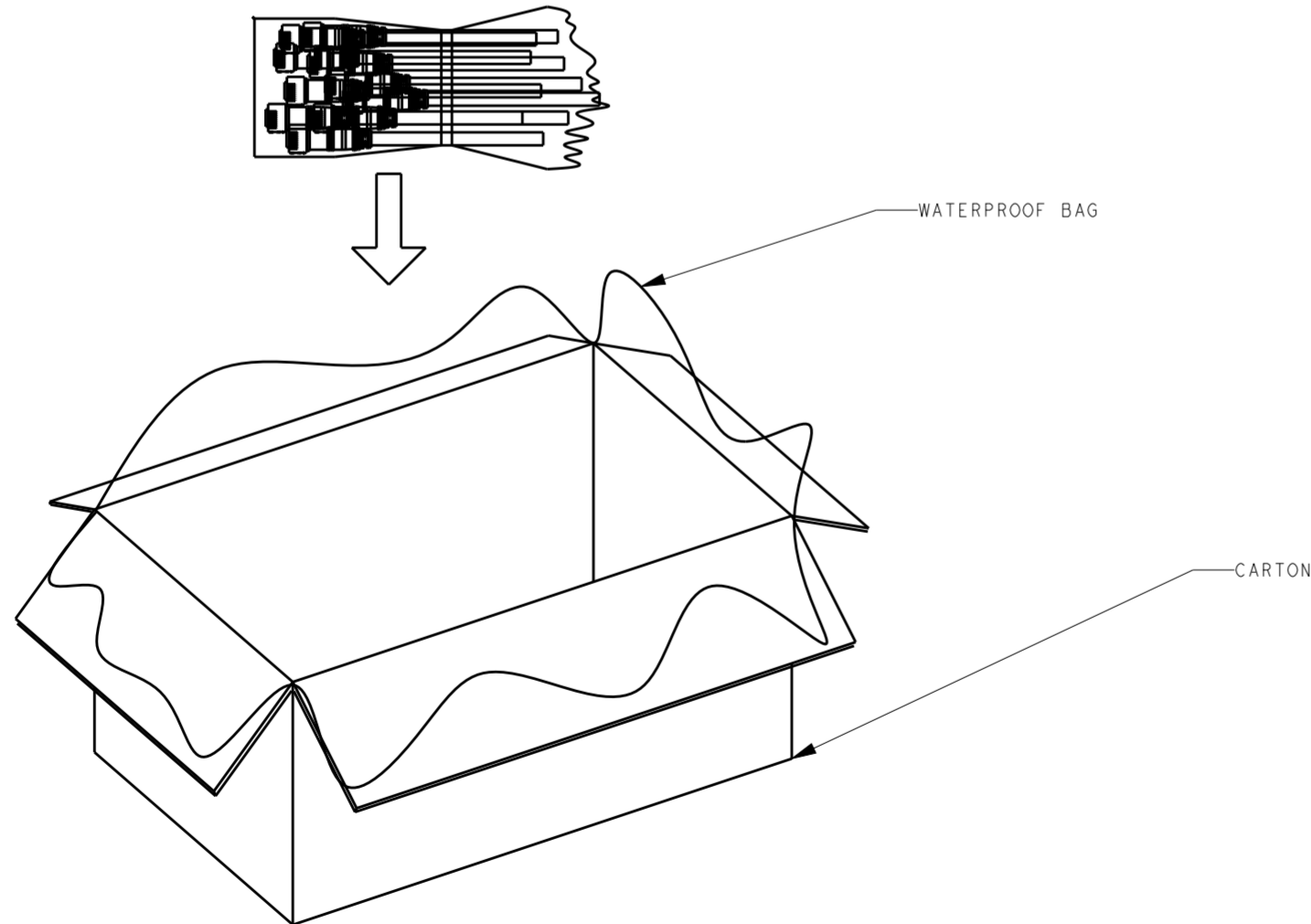
1. PUT PIECES OF PARTS INTO THE PLASTIC BAG, AND SEALED WITH RUBBER BAND AS 1 BUNCH.

3. SEAL THE CARTON.



2. PUT BUNCHES OF PARTS INTO CARTON.

4. PACKAGING QUANTITIES(REFER SHEET 1 FOR PN DEFINITION):



P/N	PARTS PER CARTON (PCS)
9-2834002-1	500
9-2834002-2	260
9-2834002-3	90
9-2834002-4	60

OBSOLETE

THIS DRAWING IS A CONTROLLED DOCUMENT.		DWN 17MAY2019 FRANK FAN	TE Connectivity	
DIMENSIONS: mm		CHK 17MAY2019 GEORGE FU		
TOLERANCES UNLESS OTHERWISE SPECIFIED:		APVD 17MAY2019 MING SHI	NAME 3P MALE CABLE ASSEMBLY CIRCULAR LIGHTING SEALED CONN.	
0 PLC ±-		PRODUCT SPEC 108-137041	SIZE A2	
1 PLC ±1.0		APPLICATION SPEC 114-137041	CAGE CODE -	DRAWING NO C-2834002
2 PLC ±0.5		WEIGHT -	RESTRICTED TO -	SCALE 1:2
3 PLC ±-		MATERIAL -	SHEET 2 OF 2	
4 PLC ±-		Customer Drawing	REV C	
ANGLES ±-				
FINISH ±-				