

MATERIALS AND FINISHES

BODY, OUTER CONDUCTOR: BRASS
PLATED TRI-METAL

CONTACT: PHOSPHOR BRONZE
PLATED SILVER

INSULATOR: TEFLON

O-RING: SILICON RUBBER

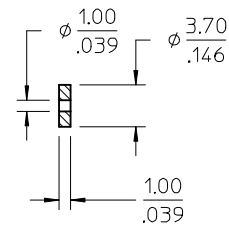
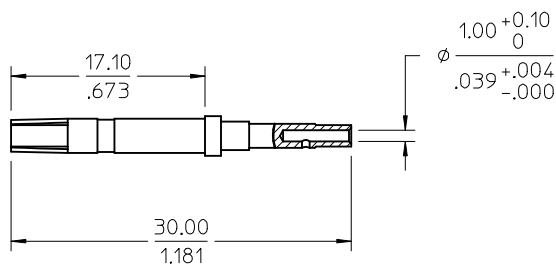
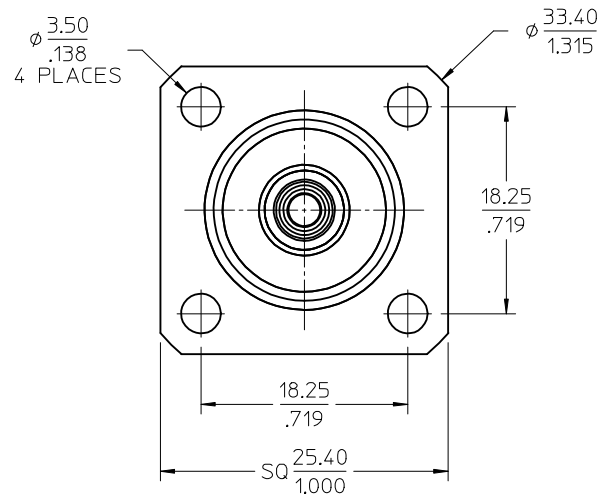
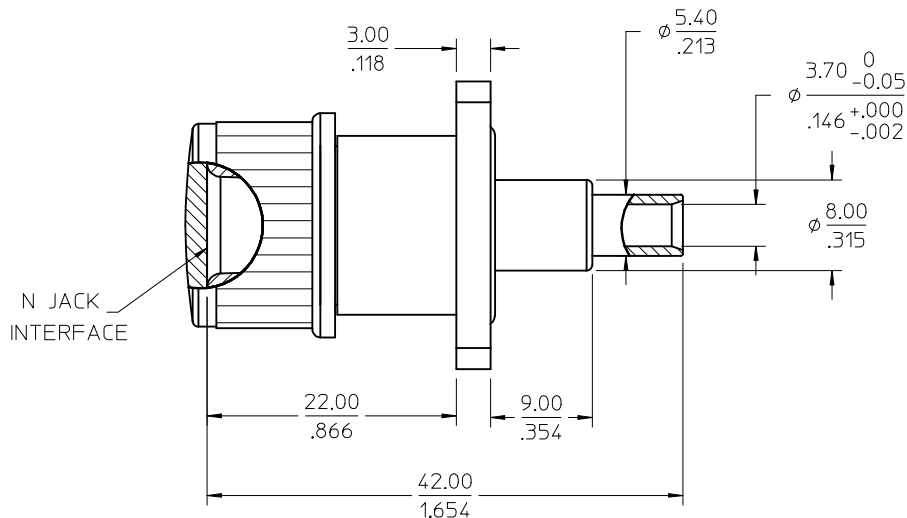
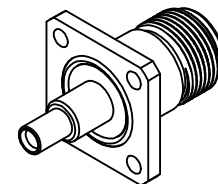
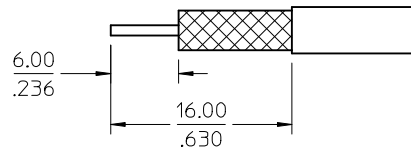
DUST CAP: LDPE
COLOR: NATURAL

PERFORMANCE REQUIREMENTS:

FREQUENCY RANGE: 0-4000MHZ
IMPEDANCE: 50 OHM
VSWR: ≤1.15 @0-4000MHZ
PIM3(2x43dBm): ≤-145dBc @ 900MHZ

PACKING: BY TRAY

141 CABLE
RECOMMENDED STRIPPING DIMENSIONS



PART # 73141-0040

PS-89675-322	PRODUCT SPECIFICATION
IEC60169-16	INTERFACE
SPECIFICATION	DESCRIPTION

CHG: ADD PRODUCT SPEC. PER MTE13-E028 EC NO: URF2015-0677 DRW:MXU11 2015/06/01 CHKD: APPR:MYE08 2015/06/01 DESCRIPTION	QUALITY SYMBOLS	GENERAL TOLERANCES (UNLESS SPECIFIED)	DIMENSION STYLE	SCALE	DESIGN UNITS	THIRD ANGLE PROJECTION	
	▼=0 ▽=0	mm INCH 4 PLACES ± --- ± --- 3 PLACES ± --- ± --- 2 PLACES ± --- ± --- 1 PLACE ± --- ± --- ANGULAR ± 2°	MM/IN	DRAWN BY DATE MHE02 2010/08/20 CHECKED BY DATE ERIC 2010/08/20 APPROVED BY DATE SRZHAO 2010/08/23	TITLE	METRIC	N JACK FLANGE FOR 141 CABLE
		DRAFT WHERE APPLICABLE MUST REMAIN WITHIN DIMENSIONS	MATERIAL NO.	MOLEX INCORPORATED			
			731410040	DOCUMENT NO.	SD-73141-004	SHEET NO.	1 OF 1

MATERIALS AND FINISHES

BODY, OUTER CONDUCTOR: BRASS
PLATED TRI-METAL

CONTACT: PHOSPHOR BRONZE
PLATED SILVER

INSULATOR: TEFLON

O-RING: SILICON RUBBER

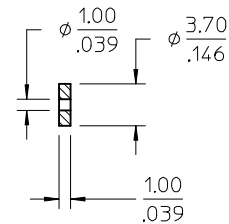
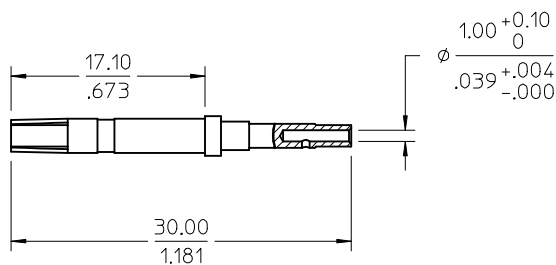
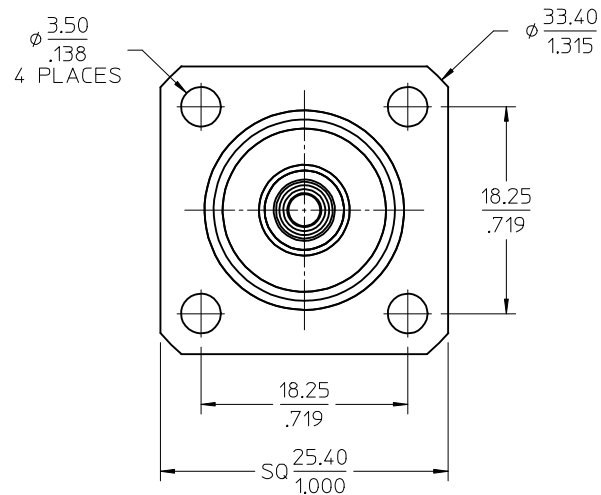
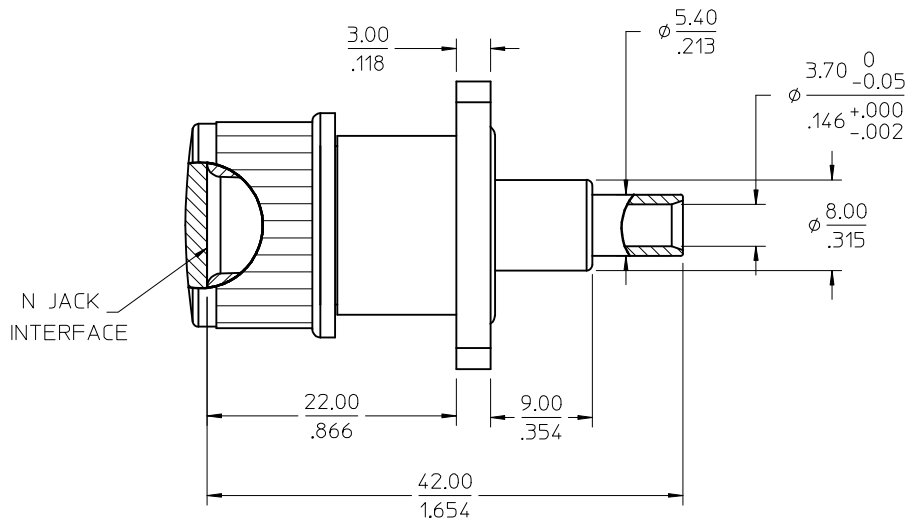
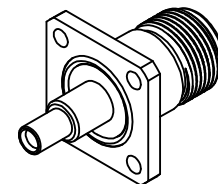
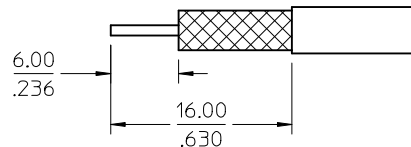
DUST CAP: LDPE
COLOR: NATURAL

PERFORMANCE REQUIREMENTS:

FREQUENCY RANGE: 0-4000MHZ
IMPEDANCE: 50 OHM
VSWR: ≤1.15 @0-4000MHZ
PIM3(2x43dBm): ≤-145dBc @ 900MHZ

PACKING: BY TRAY

141 CABLE
RECOMMENDED STRIPPING DIMENSIONS



PART # 73141-0040

PS-89675-322	PRODUCT SPECIFICATION
IEC60169-16	INTERFACE
SPECIFICATION	DESCRIPTION

CHG: ADD PRODUCT SPEC. PER MTE13-E028 EC NO: URF2015-0677 DRW:MXU11 2015/06/01 CHKD: APPR:MYE08 2015/06/01 B2	QUALITY SYMBOLS ▽=0 ▽=0	GENERAL TOLERANCES (UNLESS SPECIFIED)	DIMENSION STYLE MM/IN	SCALE METRIC	DESIGN UNITS METRIC	THIRD ANGLE PROJECTION	
		4 PLACES ± --- ± --- 3 PLACES ± --- ± --- 2 PLACES ± --- ± --- 1 PLACE ± --- ± ---	DRAWN BY MHE02	DATE 2010/08/20	TITLE N JACK FLANGE FOR 141 CABLE		
		ANGULAR ± 2 °	CHECKED BY ERIC	DATE 2010/08/20	MOLEX MOLEX INCORPORATED		
		DRAFT WHERE APPLICABLE MUST REMAIN WITHIN DIMENSIONS	APPROVED BY SRZHAO	DATE 2010/08/23	MATERIAL NO. 731410040	DOCUMENT NO. SD-73141-004	SHEET NO. 1 OF 1