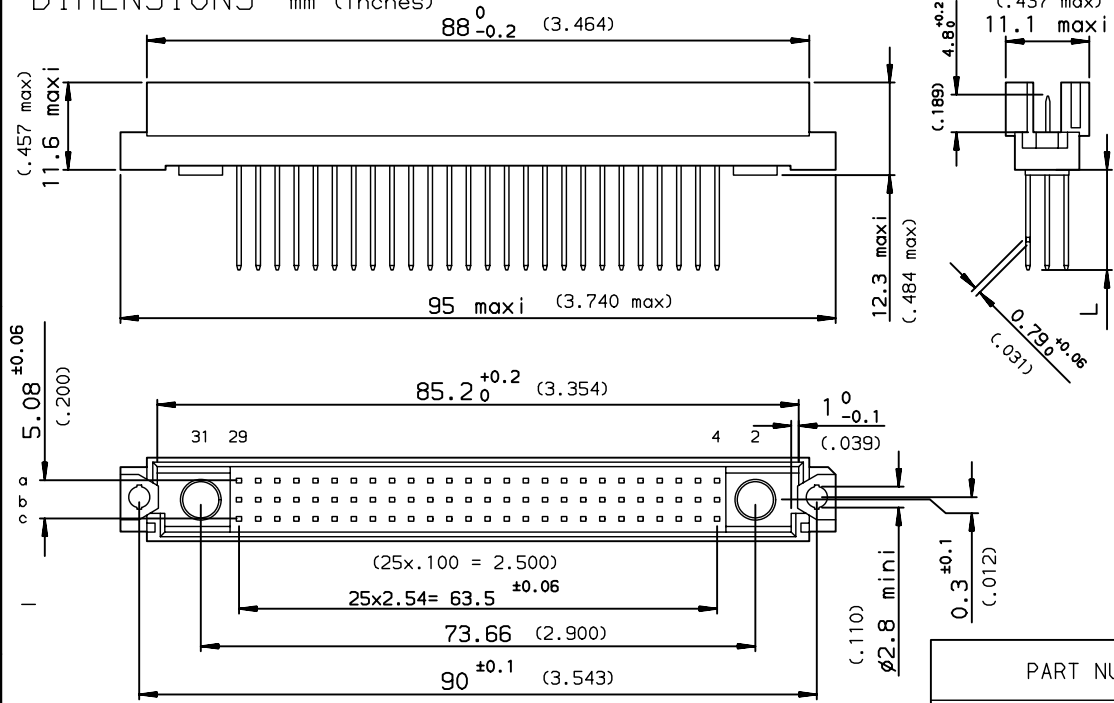
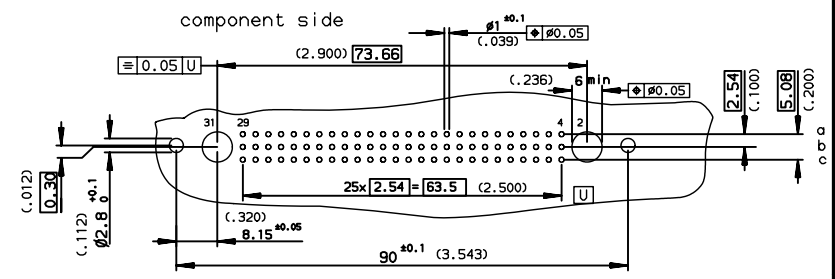


DIMENSIONS mm (inches)



PCB DRILLING



PART NUMBER		8609		A8		7		5	
PIN OUT									
rows a-b-c		---		3		78			
rows a-c		---		4		52			
NUMBER OF CONTACTS									
TERMINATION									
L = 13.3 ± 0.25 (.523)		---		WW		---		15	
L = 17.95 ± 0.25 (.706)		---		WW		---		25	
PERFORMANCE CLASS									
DIN 41612 class 3		---		---		---		4	
DIN 41612 class 2		---		---		---		5	
DIN 41612 class 1		---		---		---		6	
TERMINATION TYPE									
TIN LEAD		---		---		---		000E1	
LEAD FREE		---		---		---		E1LF	

GENERAL CHARACTERISTIC and ROHS INFORMATION
SEE DRAWING C-8609-0000B

European Views

rev	ecn no	dr	date
B	-	HLE	1996/02/21
C	LS07-0130	HLE	2007/05/21
D	LS07-0211	HLE	2007/08/08
-	-	-	-
-	-	-	-
-	-	-	-

www.fciconnect.com		surface ISO 1302 <input checked="" type="checkbox"/>	tolerance std ISO 406 ISO 1101	projection 	mm
TOLERANCES UNLESS OTHERWISE SPECIFIED					
Dr	LEGALIC	1996/02/21	ANGULAR	0.X	± 0.1
Eng	LEGALIC	1996/02/21	LINEAR	0.XX	± 0.1
Chr	LEGARE	1996/02/21	0.XX' ± 2'	0.XXX	± 0.1
Appr	LEGARE	1996/02/21	Product family	DIN	Spec ref -
		title STRAIGHT MALE WITH SPECIAL CONTACTS WIRE WRAP		dwg no C-8609-0321	Rev. D
catalog no		SEE TABLE		CUSTOMER	sheet 1 of 1

Copyright FCJ.