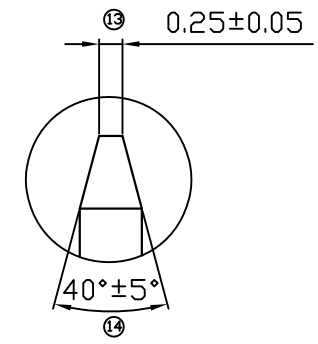
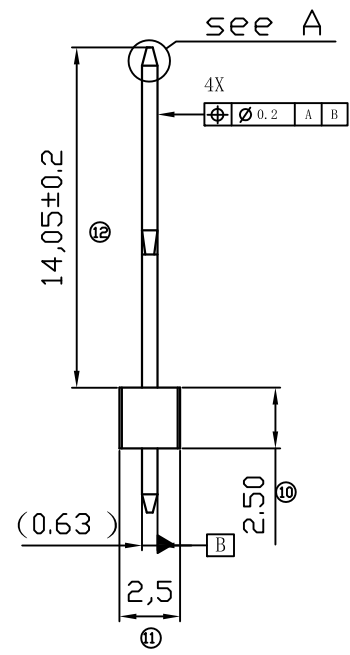
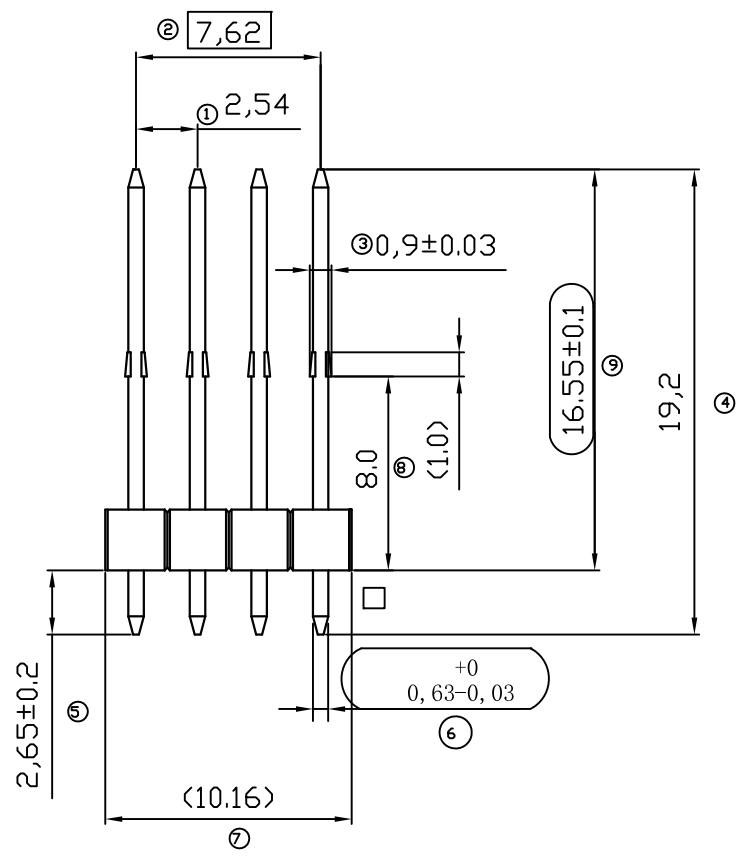


Rev	AWO #	Description	Date	Appr
-		RELEASED	11/27/18	

APPROVED: _____
 DATE: _____ TITLE: _____



SPECIFICATIONS:
 Material:
 Insulator: PA6T, rated UL 94V-0
 Insulator color: Black
 Contacts: CuZn30 H140
 Plating:
 Matte Tin over Nickel underplate overall
 Electrical:
 Contact resistance: 20 mohms max
 Insulation resistance: 10G ohms min
 Dielectric withstanding voltage: 1000V/60S
 Temperature Rating:
 Operating temperature: -40°C to +125°C
 Environmental:
 Lead free, RoHS compliant



UNLESS OTHERWISE SPECIFIED
 ALL DIMENSIONS ARE MILLIMETERS
 TOLERANCES: EXCEPT AS NOTED

MM	ANGLE
X.X ± 0.30	± 3°
X.XX ± 0.25	
X.XXX ± 0.10	

APPROVALS		DATE
DRAWN	AY	11/27/18
CHECKED	AC	11/27/18
APPROVED		

ADAM TECH INTERCONNECTS
 909 Rahway Avenue,
 Union, NJ 07083
 Phone: 908-687-5000
 Fax: 908-687-5710

TITLE: 2.54 PITCH PIN HEADER, 1*4 PIN, STRAIGHT

SIZE	PART NO.	REV.
X	ADT-AMP1251104S2BS192A1	-

REF: S00111C SCALE: NTS SHEET 1 OF 1