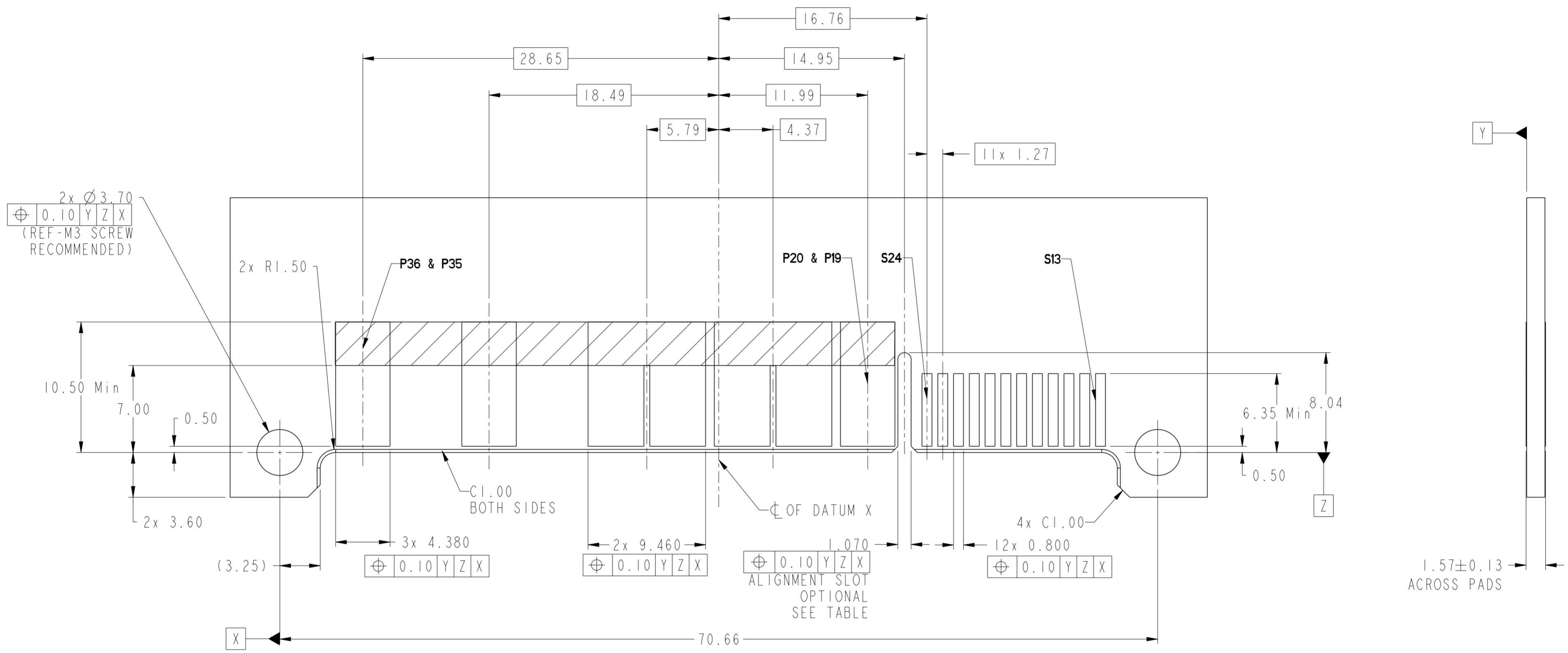
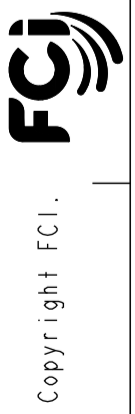


Copyright FCI.
FCI

| | | | | | | |
|--|------------------|--------------|--|----|-----------------|--------------------|
| spec ref | dr Jackie Huang | 2015/03/09 | projection | MM | size A2 | scale 1:1 |
| tolerance std | eng Jackie Huang | 2015/04/06 | | | ecn no - | rel level Released |
| ASME Y14.5 | chr Terris Liu | 2015/03/31 | | | | |
| TOLERANCES UNLESS OTHERWISE SPECIFIED surface ✓ ASME Y14.5 | linear | 0.X ±0.5 | product family - | | | |
| | | 0.XX ±0.25 | - rel level | | | |
| | | 0.XXX ±0.100 | - | | | |
| angular | 0° | ±2° | - | | | |
| www.fci.com | | | title HPCE STRADDLE MOUNT TYPE 8LP4HP2LP24S 4LP OMITTED | | dwg no 10133464 | rev A |
| cat. no. - | | | Product - Customer Drw | | sheet 1 of 4 | |



RECOMMENDED HOST BOARD LAYOUT

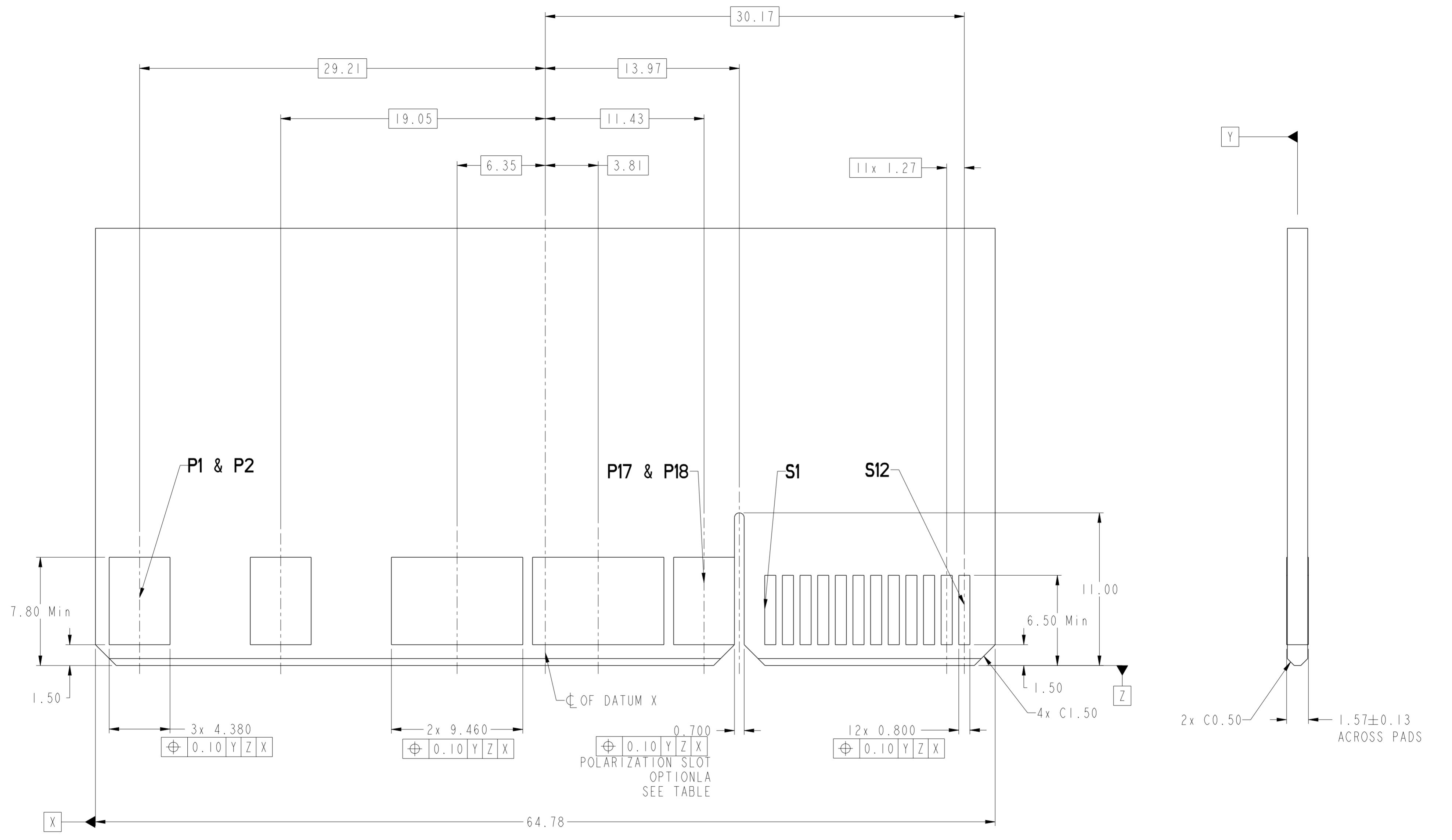


| | | | | | | | | |
|---|---------------------|------------|--|-----|---|----|-----------|----------|
| spec ref | dr Jackie Huang | 2015/03/09 | projection | MM | size | A2 | scale | 1:1 |
| tolerance std | eng Jackie Huang | 2015/04/06 | | | ecn no | - | rel level | Released |
| TOLERANCES UNLESS OTHERWISE SPECIFIED surface ✓ linear | chr Terris Liu | 2015/03/31 | | | | | | |
| | appr Pei-Ming Zheng | 2015/04/06 | title HPCE STRADDLE MOUNT TYPE 8LP4HP2LP24S 4LP OMITTED | | dwg no 10133464 rev A | | | |
| | ASME Y14.5 | angular | 0° | ±2° | www.fci.com cat. no. - Product - Customer Drw sheet 2 of 4 | | | |

PDS: Rev :A

STATUS:Released

Printed: Apr 07, 2015



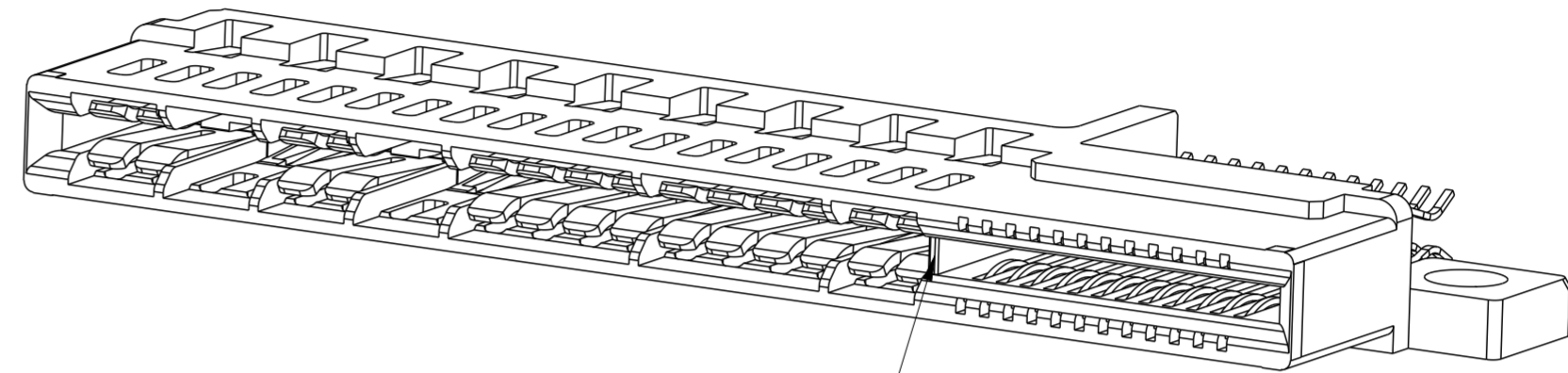
RECOMMENDED EDGE CARD LAYOUT

| | | | | | | |
|--|------------------|---------------------|------------|-------|--|--------------------|
| spec ref | dr Jackie Huang | 2015/03/09 | projection | MM | size A2 | scale 1:1 |
| tolerance std | eng Jackie Huang | 2015/04/06 | | | ecn no - | rel level Released |
| TOLERANCES UNLESS OTHERWISE SPECIFIED linear 0.X ±0.5 0.XX ±0.25 0.XXX ±0.100 angular 0° ±2° | chr Terris Liu | 2015/03/31 | | | | |
| | ASME Y14.5 | appr Pei-Ming Zheng | 2015/04/06 | title | HPCE STRADDLE MOUNT TYPE 8LP4HP2LP24S 4LP OMITTED | |

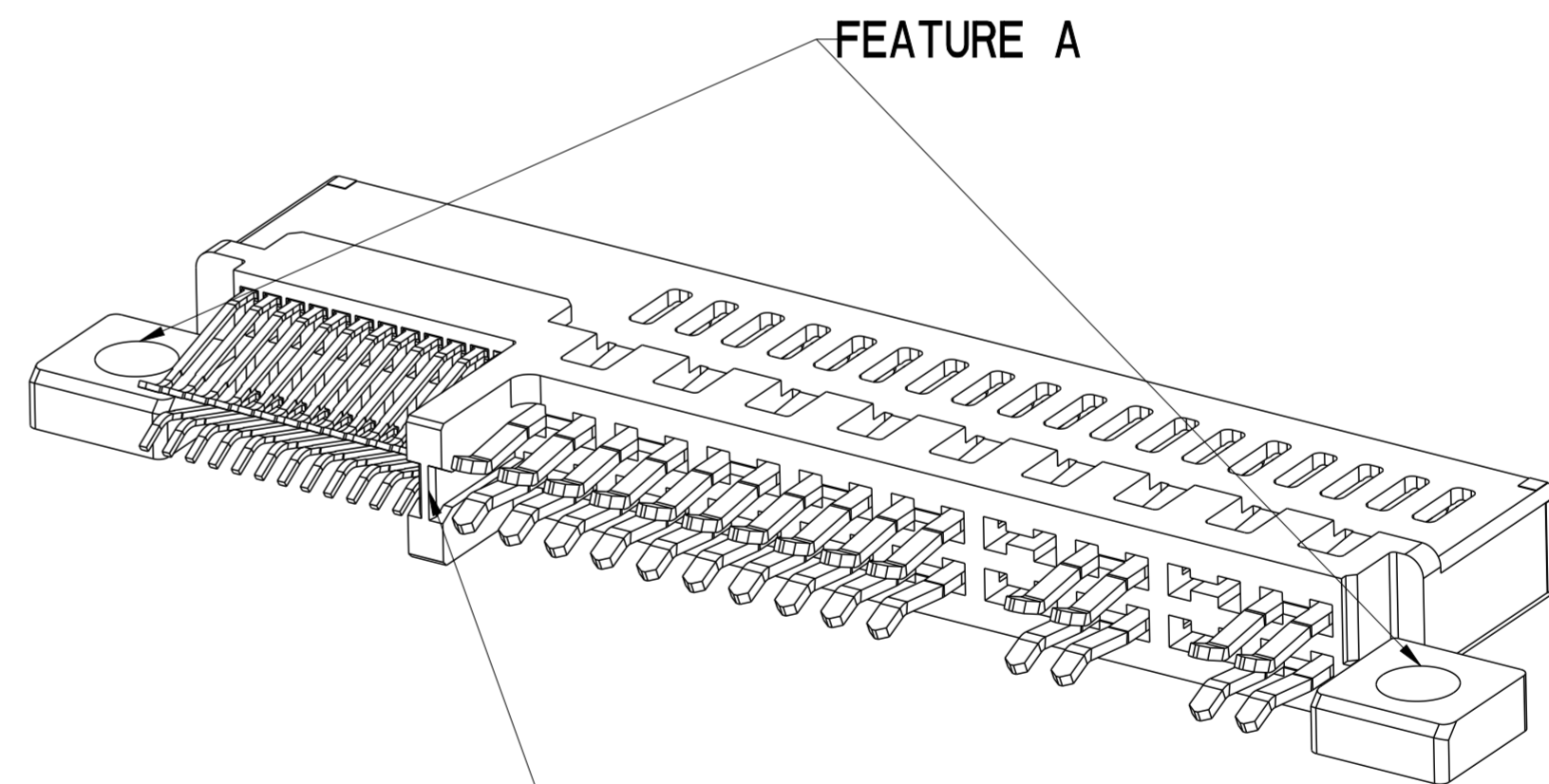


Copyright FCI.

| PART NUMBER | FEATURE C HOST BOARD ALIGNMENT KEY (SEE NOTE 8) | FEATURE A MOUNTING EARS | FEATURE B FRONT POLARIZATION KEY |
|----------------|--|----------------------------|---|
| I0133464-001LF | NO | YES | YES |
| I0133464-002LF | NO | | NO |
| I0133464-003LF | YES | | NO |
| I0133464-004LF | YES | | YES |



FEATURE B



FEATURE A

FEATURE C

NOTES:

- CONNECTOR MATERIALS:
 HOUSING: HIGH TEMPERATURE THERMAL PLASTIC, BLACK
 UL 94V-0 COMPLIANT
 CONTACTS: HIGH PERFORMANCE COPPER ALLOY.
- CONTACT FINISH REF. GS-12-604 SECTION 5.2.
- PRODUCT SPECIFICATION: GS-12-604.
- APPLICATION SPECIFICATION: GS-20-128.
- PRODUCT MARKING (FCI - PART NUMBER & DATE CODE) ON HOUSING IN AREA SHOWN.
- PACKAGING MEETS FCI SPECIFICATION GS-14-937.
- HOUSING COMPONENT WILL WITHSTAND EXPOSURE TO 260°C PEAK TEMPERATURE FOR 60 SECONDS IN A CONVECTION, INFRA-RED, OR VAPOR PHASE REFLOW OVEN.
- HOST BOARD ALIGNMENT KEY IS RECOMMENDED TO ENSURE PROPER ALIGNMENT OF SOLDER TAILS WITH HOST BOARD PADS.

| | | | | | | |
|---------------------------------------|------------------|--------------|-------------|--|------------------------|--------------------|
| spec ref | dr Jackie Huang | 2015/03/09 | projection | MM | size A2 | scale 1:1 |
| tolerance std | eng Jackie Huang | 2015/04/06 | | | ecn no - | rel level Released |
| TOLERANCES UNLESS OTHERWISE SPECIFIED | | | | | | |
| surface ✓ ASME Y14.5 | linear | 0.X ±0.5 | | title HPCE STRADDLE MOUNT TYPE 8LP4HP2LP24S 4LP OMITTED | dwg no I0133464 | rev A |
| | | 0.XX ±0.25 | | | | |
| | | 0.XXX ±0.100 | | | | |
| | angular | 0° ±2° | www.fci.com | cat. no. | Product - Customer Drw | sheet 4 of 4 |