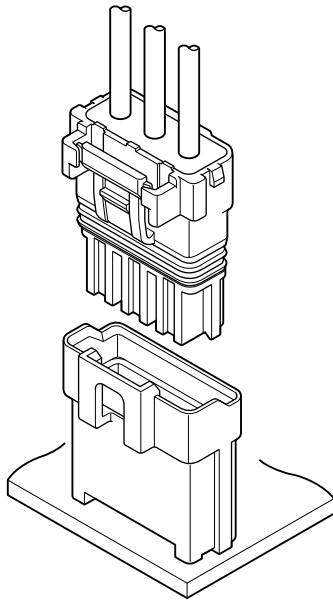




WPJ CONNECTOR

5.0 mm pitch/Disconnectable Crimp style connectors



Compact, Water Resist and Durable.
This connector for electrical connection can be used on both waterproof and non-waterproof conditions, depending on the usage. Just by placing a rubber part will change it into a water resistant connector. Both conditions are using the same header.

- Waterproof performance [Grade 7 ingress protection of JIS C 0920 (IPX7 of IEC 60529)]
- Control key system
- Contacting part of contact is hardly deformed
- Inner locking system
- Compact design

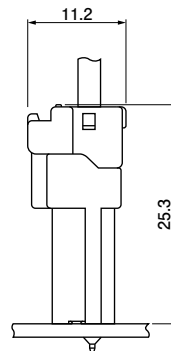
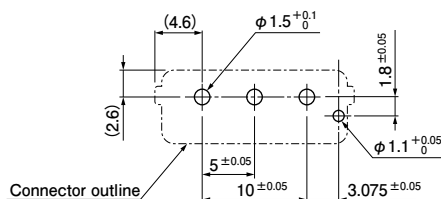
Specifications

- Current rating: 7 A AC, DC (AWG #18)
- Voltage rating: 300 V AC, DC
- Temperature range: -25°C to +85°C
(including temperature rise in applying electrical current)
- Contact resistance: Initial value/ 10 mΩ max.
After environmental tests/ 20 mΩ max.
- Insulation resistance: 1,000 MΩ min.
- Withstanding voltage: 1,500 VAC/minute
- Applicable wire: Conductor size/ AWG #22 to #18
Insulation O.D./ 2.32 to 2.83 mm
1.52 to 2.03 mm
- Waterproof grade: Grade 7 ingress protection of JIS C 0920 (IPX7 of IEC 60529)

- * Refer to "General Instruction and Notice when using Terminals and Connectors" at the end of this catalog.
- * Contact JST for details.
- * Compliant with RoHS.

Standards

- TM Recognized E60389
- SP Certified LR20812
- △ File No.R50073100

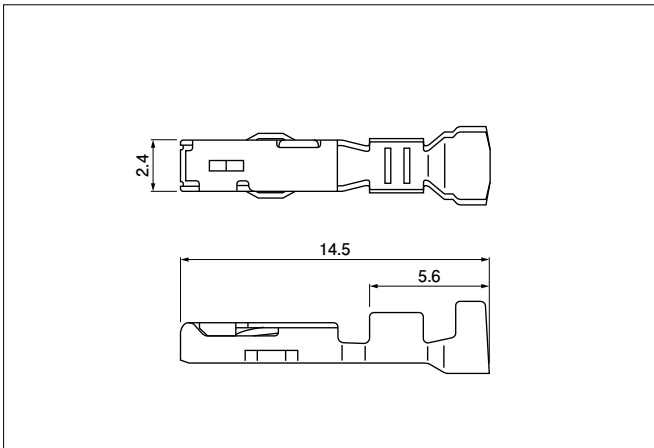


- Note: 1. The above figure is the figure viewed from the connector mounting side.
2. Tolerances are non-cumulative: ± 0.05 mm for all centers.
3. The dimensions above should serve as a guideline. Contact JST for details.

WPJ CONNECTOR

(Non-waterproof type)

Contact



Model No.	Applicable wire		Insulation O.D. (mm)	Q'ty/reel
	mm ²	AWG#		
SWPJR-21T-M0.5	0.33 to 0.83	22 to 18	2.32 to 2.83	4,500
SWPJR-21T-M0.5A	0.33 to 0.83	22 to 18	1.52 to 2.03	4,500

Material and Finish

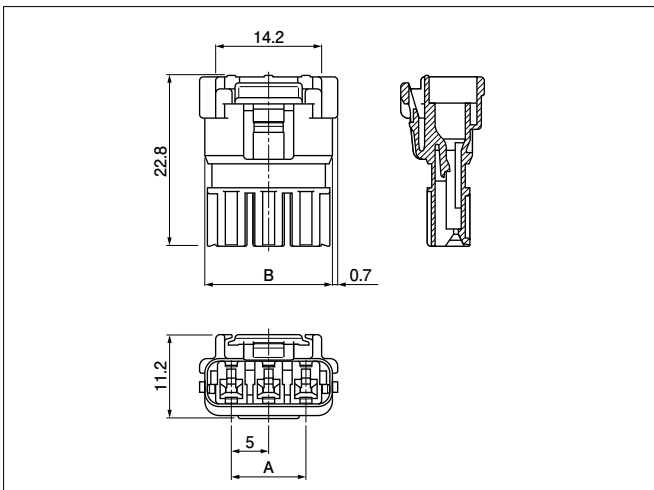
Copper alloy, tin-plated (reflow treatment)

RoHS compliance

Contact	Crimping machine	Applicator		
		Crimp applicator	Dies	Crimp applicator with dies
SWPJR-21T-M0.5	AP-K2N	MKS-L	MK/SWPJR/T-21-05	APLMK SWPJR/T21-05
SWPJR-21T-M0.5A			MK/SWPJR/T-21-05A	APLMK SWPJR/T21-05A

Note: Contact JST for fully automatic crimping applicator.

Housing



Receptacle housing

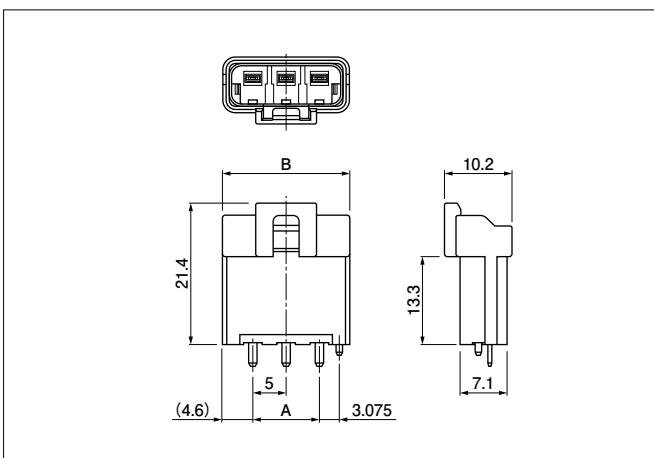
No. of circuits	Model No.	A	B	Q'ty/box
2	WPJR-02V-1-S	—	12.1	1,000
3	WPJR-03V-1-S	10.0	17.1	1,000

Material

Glass-filled PBT, UL94V-0, natural (white)

RoHS compliance

Header



No. of circuits	Model No.	A	B	Q'ty/bag
2	B02B-WPJSS-1	—	14.2	600
3	B03B-WPJSS-1	10.0	19.2	390

Material and Finish

Wafer: Glass-filled PBT, UL94V-0

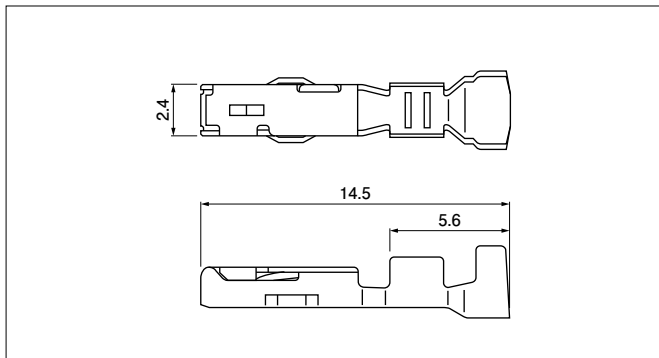
Post: Copper alloy, copper-undercoated, tin-plated (reflow treatment)

RoHS compliance This product displays (LF)(SN) on a label.

WPJ CONNECTOR

(Waterproof type)

Contact



Model No.	Applicable wire		Insulation O.D. (mm)	Q'ty/reel
	mm ²	AWG#		
SWPJR-21T-M0.5	0.33 to 0.83	22 to 18	2.32 to 2.83	4,500

Material and Finish

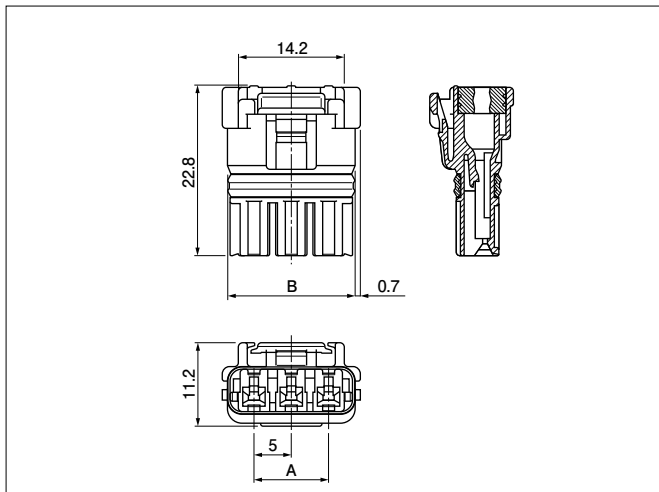
Copper alloy, tin-plated (reflow treatment)

RoHS compliance

Contact	Crimping machine	Applicator		
		Crimp applicator	Dies	Crimp applicator with dies
SWPJR-21T-M0.5	AP-K2N	MKS-L	MK/SWPJR/T-21-05	APLMK SWPJR/T21-05

Note: Contact JST for fully automatic crimping applicator.

Housing



Receptacle housing assembly

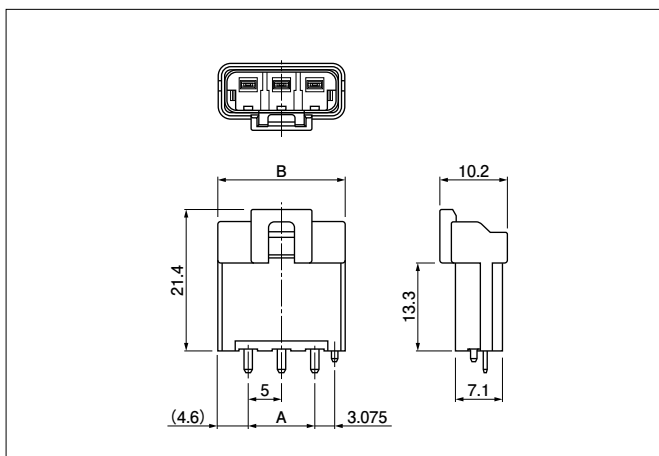
No. of circuits	Model No.	A	B	Q'ty/box
2	02R-WPJV-1-SMM	—	12.1	720
3	03R-WPJV-1-SMM	10.0	17.1	576

Material

Receptacle housing: Glass-filled PBT, UL94V-0, natural (white)
 Seal ring: Silicon, green
 Seal rubber plate: Silicon, green

RoHS compliance

Header



No. of circuits	Model No.	A	B	Q'ty/bag
2	B02B-WPJSS-1	—	14.2	600
3	B03B-WPJSS-1	10.0	19.2	390

Material and Finish

Wafer: Glass-filled PBT, UL94V-0
 Post: Copper alloy, copper-undercoated, tin-plated (reflow treatment)

RoHS compliance This product displays (LF)(SN) on a label.

Model number allocation

Receptacle contact

S WPJ R - 21 T - M 0.5 A

Series name

Part name: Receptacle contact

Applicable wire range: AWG #22 to #18

Material: M··Copper alloy

Terminal size

None: Wire insulation O.D.···2.32 to 2.83 mm
A: Wire insulation O.D.···1.52 to 2.03 mm

Receptacle housing (Non-waterproof type)

WPJ R - 02 V -

Series name

Part name: Receptacle housing

No. of circuits: 2, 3

Polarizing key pattern at mating part and housing color

1-S: Key pattern 1 (Natural)
2-R: Key pattern 2 (Red)
3-E: Key pattern 3 (Blue)

Receptacle housing assembly (Waterproof type)

02 R - WPJ V - M M

No. of circuits: 2, 3

Part name: Receptacle housing

Series name

Polarizing key pattern at mating part and housing color

1-S: Key pattern 1 (Natural)
2-R: Key pattern 2 (Red)
3-E: Key pattern 3 (Blue)

Seal ring color: M··Green

Seal rubber plate color: M··Green

Header

B 02 B - WPJ *

Shape of assembled product: B··Top entry type

No. of circuits: 2, 3

Part name: Header

Series name

Polarizing key pattern at mating part and housing color

S*-1: Key pattern 1 (Natural)
R*-2: Key pattern 2 (Red)
E*-3: Key pattern 3 (Blue)

Indication of clinch: S··Straight pin