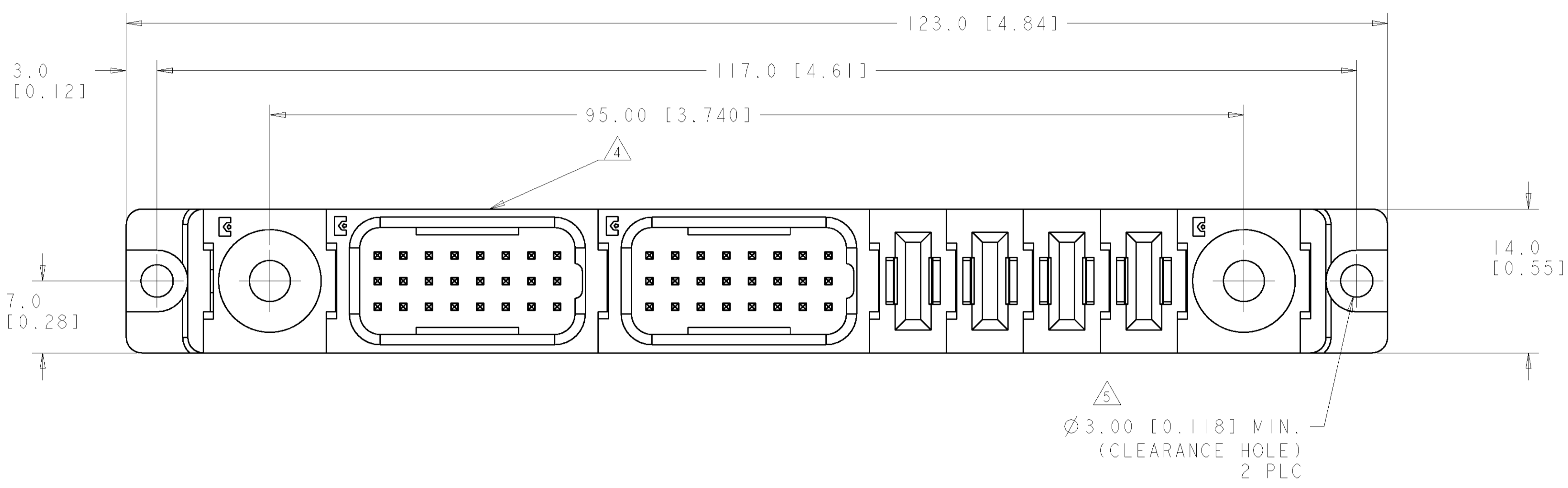


LOC	DIST	REVISIONS					
GP	00	P	LTR	DESCRIPTION	DATE	DWN	APVD
		A		RELEASED	12JAN2007	RG	PD

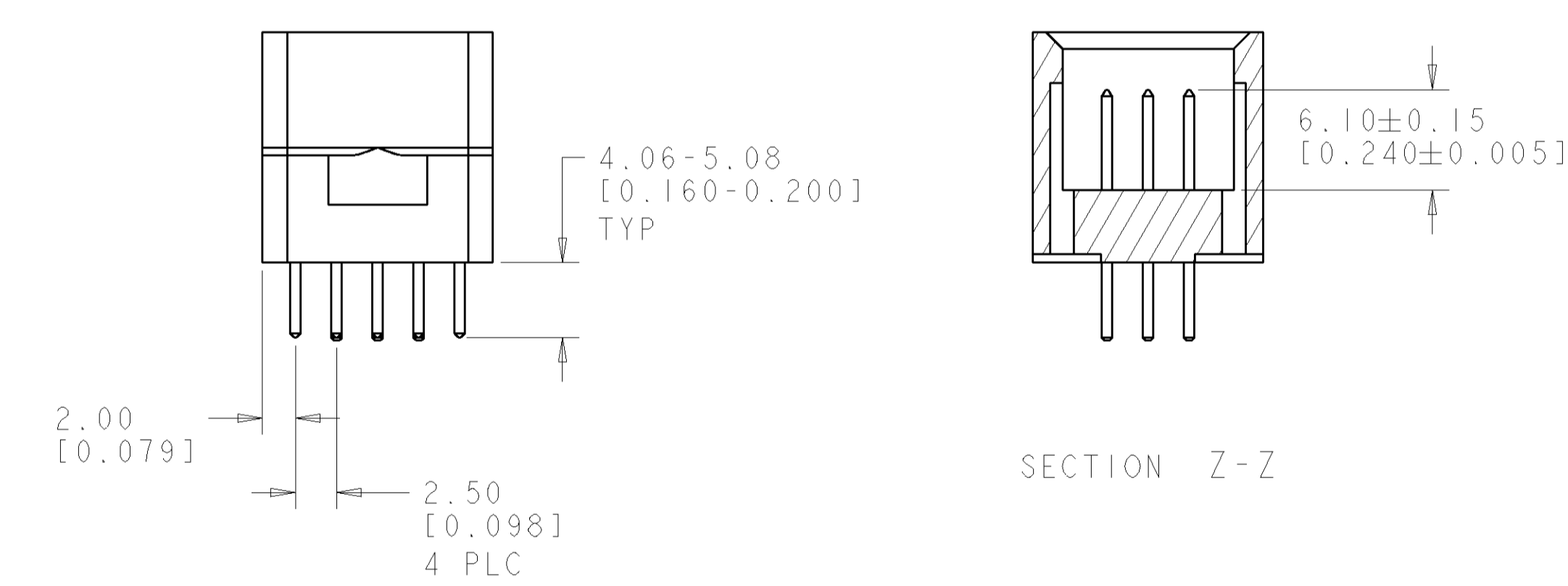
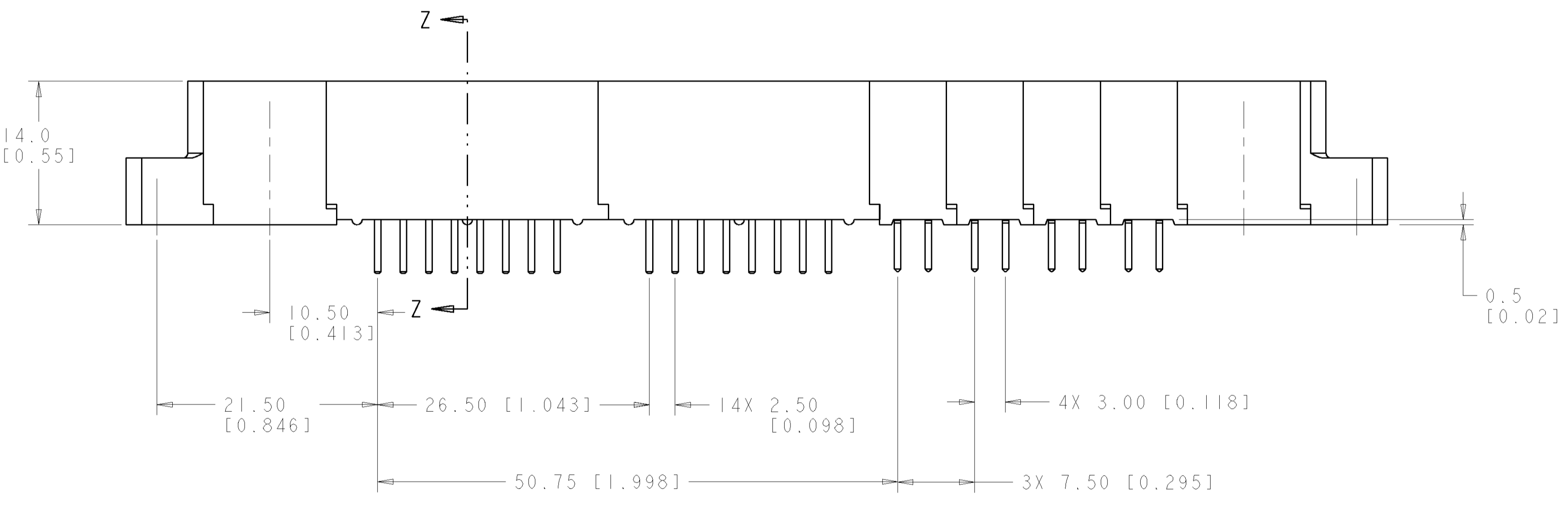


- PART NUMBER CHANGES AND OR DESIGN CHANGES AFFECTING ITEM INTERCHANGEABILITY REQUIRE PRIOR TYCO APPROVAL AND AUTHORIZATION BY REVISION TO THIS DRAWING.
- MATERIAL:
 INSULATORS - THERMOPLASTIC, GLASS REINFORCED, UL94V-0 FLAMMABILITY RATED.
 COLOR: BLACK
 CROWN BAND HOLDER - PHOSPHOR BRONZE ALLOY,
 BERYLLIUM COPPER ALLOY
 SIGNAL CONTACTS - BRASS ALLOY
- FINISH:
 CONTACTS - GOLD PLATE .000030" MIN. THK., OVER NICKEL
 .000050" MIN. THK.
 SOLDER TAILS TIN .000120" MIN. THK. OVER NICKEL
 .000050" MIN THK.

4 ITEMS PROVIDED TO THIS SPECIFICATION TO BE PERMANENTLY IDENTIFIED PER THE FOLLOWING IDENTIFIER LABEL

YEAR | WEEK
 TYCO PART NO. DATE CODE (e.g. 0106)
 XXXXXXXX-X XXXX

5 MOUNTING FLANGES ACCEPTS M3 OR #4-40 SCREWS (USER SUPPLIED)

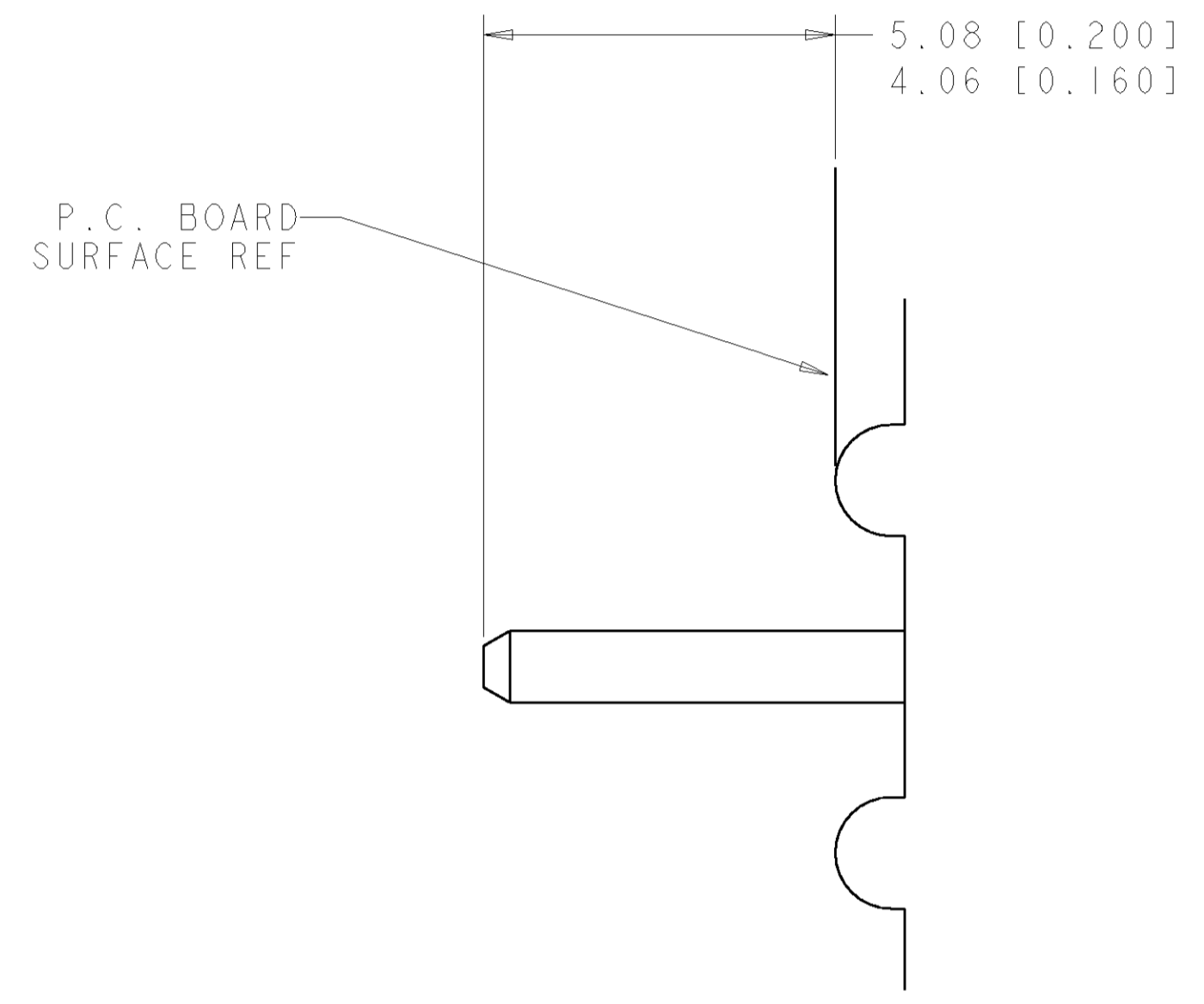


ELCON FLATPAQ

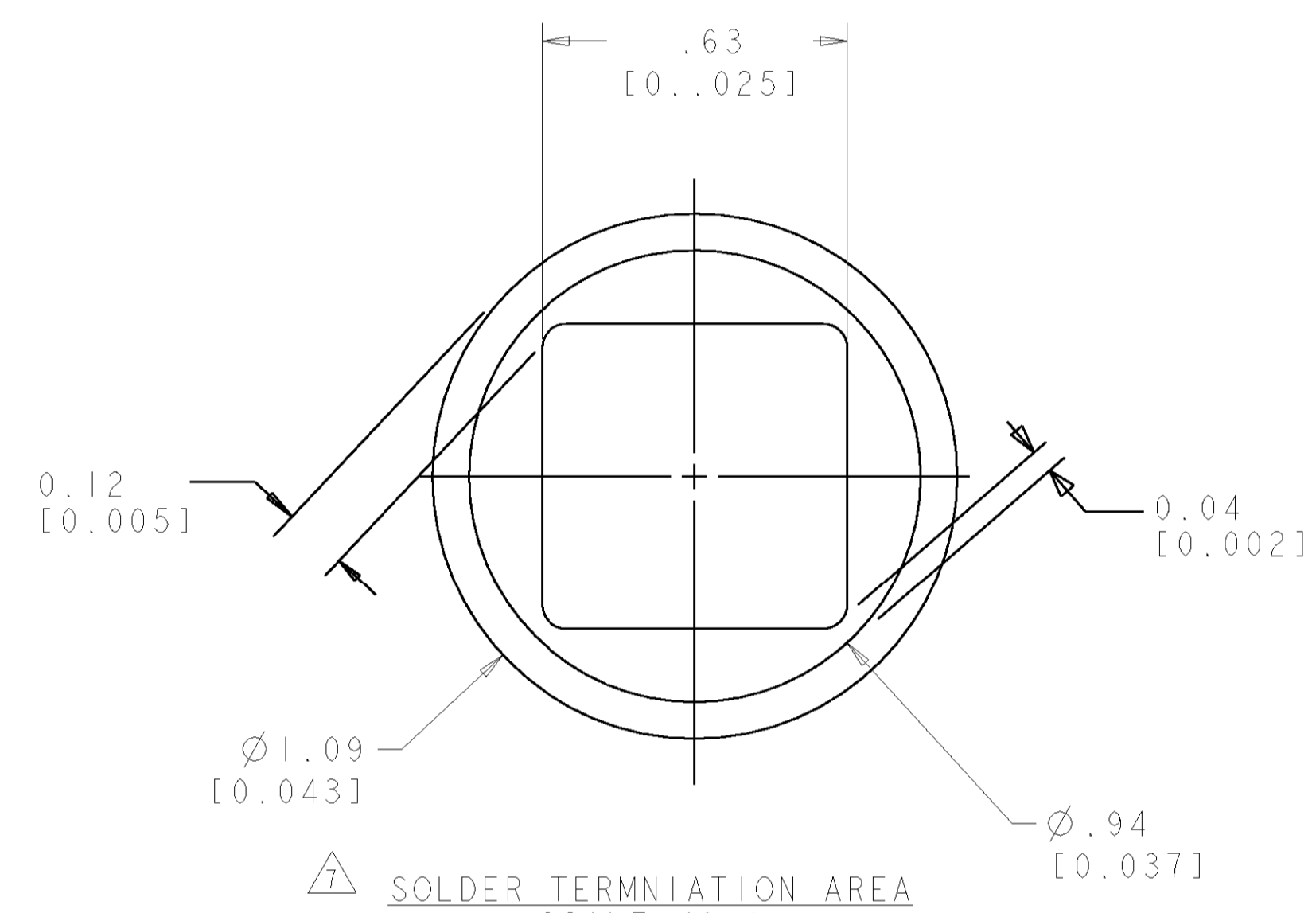
AMP 4895 REV 31MAR2006
 Pro/ENGINEER DRAWING

DIMENSIONS:		TOLERANCES UNLESS OTHERWISE SPECIFIED:		DWN B. GRZYBOWSKI 040CT06		AS SHOWN 1926234-1	
mm	0 PLC ±	1 PLC ±.3 [1.012]	2 PLC ±.15 [1.006]	CHK P. DAMATO 040CT06	Tyco Electronics		DESCRIPTION PART NUMBER
	3 PLC ±	4 PLC ±	ANGLES ±.5	APVD S. FLICKINGER 040CT06	Harrisburg, PA 17105-3608		CONNECTOR ASSEMBLY, PIN/SOCKET STRAIGHT, SOLDER TAIL FLATPAQ
MATERIAL	FINISH	WEIGHT	CUSTOMER DRAWING	PRODUCT SPEC	APPLICATION SPEC	SIZE CAGE CODE DRAWING NO	RESTRICTED TO
						A 100779 C=1926234	
						SCALE 3:1	SHEET 1 OF 3 REV A

LOC	DIST	REVISIONS					
GP	00	P	LTR	DESCRIPTION	DATE	DWN	APVD
-	-	-	-	SEE SHEET 1	-	-	-



6. SOLDER TAIL DETAIL
SCALE 10 : 1



△ SOLDER TERMINATION AREA
 SCALE 40:1
 RECOMMENDED PRINTED CIRCUIT SOLDER HOLE
 FINISHED HOLE: Ø1.02 [0.040] ±.008 [0.0003]
 DRILLED HOLE: Ø1.15 [0.0453] ±.013 [0.0005]
 COPPER PLATE: .025 [0.0010] MIN.
 TIN PLATE: .008 [0.0003] MIN. (PER SURFACE)

<small>THE INFORMATION CONTAINED HEREIN IS UNCLASSIFIED EXCEPT WHERE SHOWN OTHERWISE. IT IS THE PROPERTY OF TYCO ELECTRONICS CORPORATION AND IS TO BE CONTAINED AND CONTROLLED BY THE USER. IT IS TO BE KEPT CONFIDENTIAL AND NOT TO BE DISCLOSED TO THE PUBLIC OR TO ANY OTHER ORGANIZATION WITHOUT THE WRITTEN PERMISSION OF TYCO ELECTRONICS CORPORATION.</small>		DWN B. GRZYBOWSKI 040CT06	Tyco Electronics Harrisburg, PA 17105-3608
DIMENSIONS: mm		CHK P. DAMATO 040CT06	
TOLERANCES UNLESS OTHERWISE SPECIFIED: 0 PLC ± 1 PLC ±.3 [0.02] 2 PLC ±.15 [0.006] 3 PLC ± 4 PLC ± ANGLES ±.5 FINISH		APVD S. FLICKINGER 040CT06	NAME CONNECTOR ASSEMBLY, PIN STRAIGHT, SOLDER TAIL FLATPAQ
MATERIAL: - FINISH: -		PRODUCT SPEC: - APPLICATION SPEC: - WEIGHT: -	SIZE: A 00779 C=1926234 SCALE: 3:1 SHEET: 3 OF 3 REV: A
CUSTOMER DRAWING		RESTRICTED TO:	