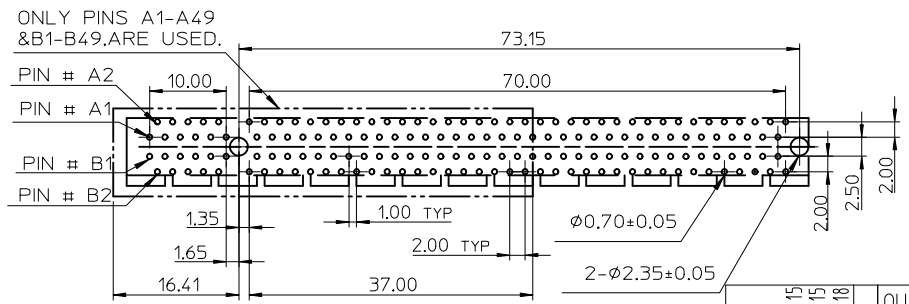
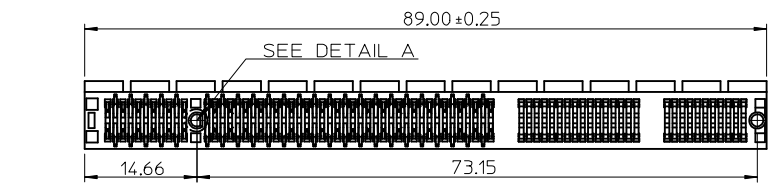


SECTION A-A

- NOTES:
 1. MATERIALS:
 1-1. HOUSING: SEE TABLE, 30% GLASS FIBER FILLED UL94V-0
 COLOR: SEE TABLE
 1-2. CONTACT: SEE TABLE
 2. PLATING:
 2-1. CONTACT AREA: SEE TABLE
 2-2. SOLDER TAIL: SEE TABLE
 2-3. UNDER PLATING: SEE TABLE
 3. DATE CODE: TO BE PRINTED
 4. PRODUCT SPECIFICATION REFER TO PS-87715-200
 5. PACKAGE SPECIFICATION REFER TO PK-87715-203
 6. TEST SUMMARY: REFER TO TS-87715-203
 7. LEAD FREE AND RoHS COMPLIANT PRODUCT.



ONLY PINS A1-A49 & B1-B49 ARE USED.

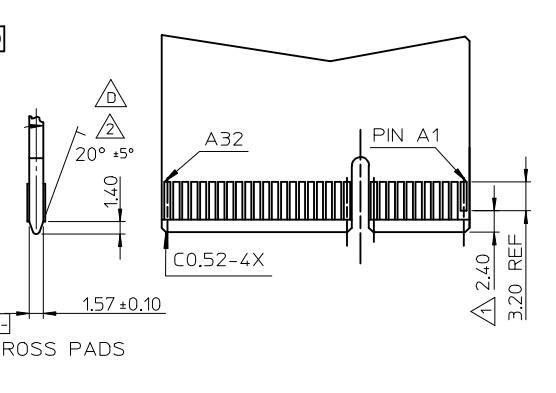
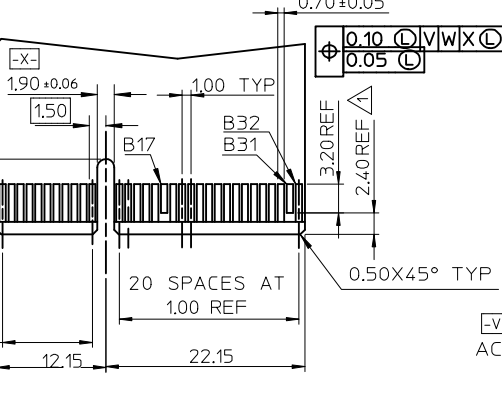
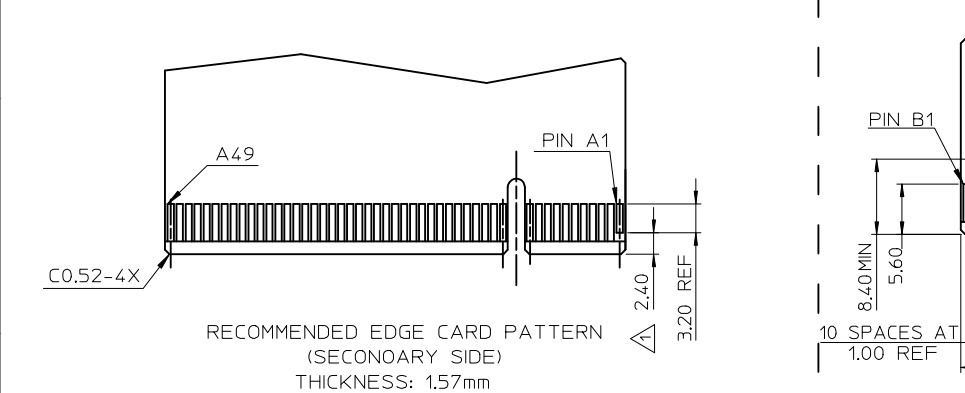
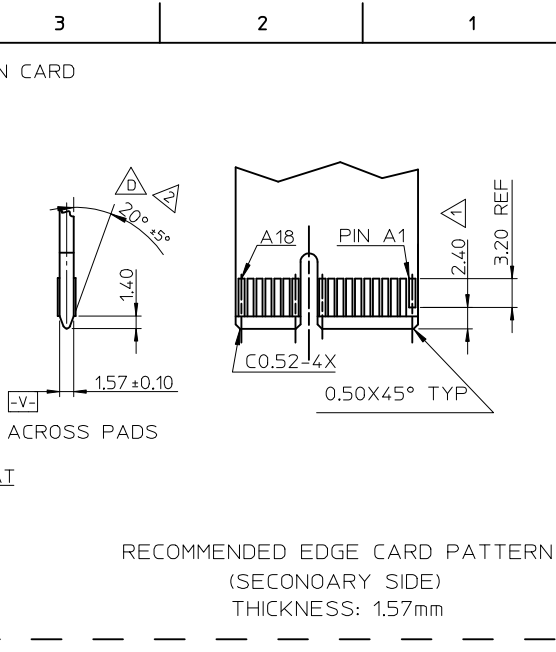
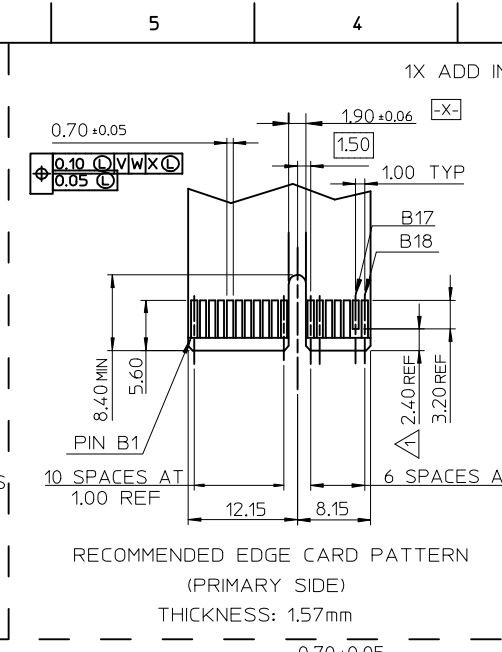
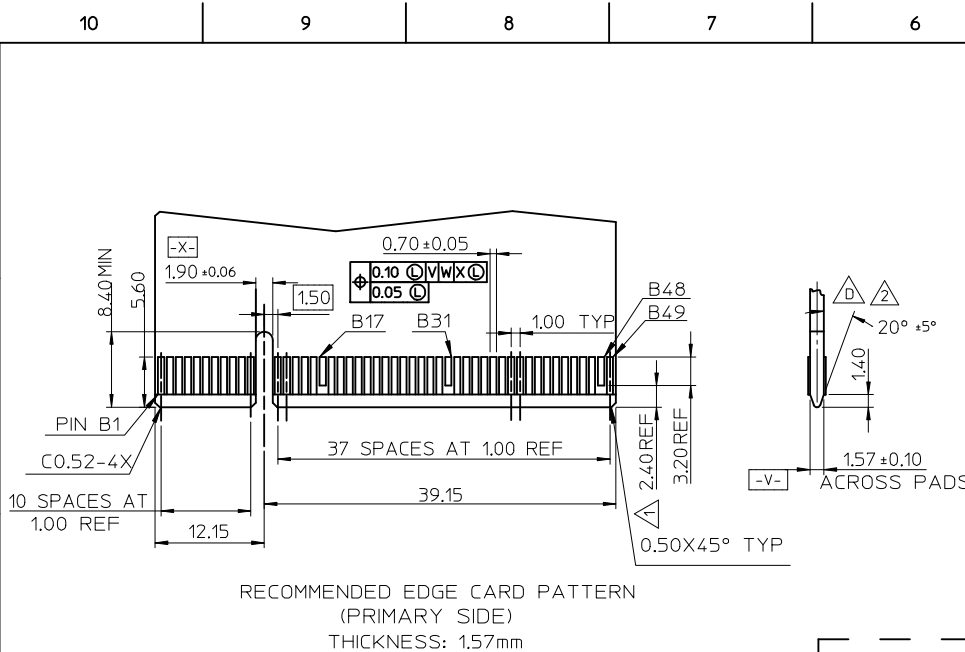
MOLEX P/N	CIRCUIT SIZE	HOUSING MATERIAL	HOUSING COLOR	TERMINAL MATERIAL	CONTACT PLATING	SOLDER TAIL PLATING	DIM "B"
87715-9902				PHOSPHOR BROZNE	GOLD FLASH	100 MICROINCH MIN TIN OVER 50 MICROINCH NICKEL OVERALL	2.30
87715-9903	N/A	NYLON46	BLACK	PHOSPHOR BROZNE	GOLD FLASH	100 MICROINCH MIN TIN OVER 50 MICROINCH NICKEL OVERALL	2.54
87715-9904				PHOSPHOR BROZNE	GOLD	100 MICROINCH MIN TIN OVER 50 MICROINCH NICKEL OVERALL	3.00
87715-9905				PHOSPHOR BROZNE	15 MICROINCH	100 MICROINCH MIN TIN OVER 50 MICROINCH NICKEL OVERALL	2.30
87715-9906	N/A	NYLON46	BLACK	PHOSPHOR BROZNE	15 MICROINCH	100 MICROINCH MIN TIN OVER 50 MICROINCH NICKEL OVERALL	2.54
87715-9907				PHOSPHOR BROZNE	15 MICROINCH	100 MICROINCH MIN TIN OVER 50 MICROINCH NICKEL OVERALL	3.00

EWR 2006-0005 & 0019	2006/05/15	2006/05/15	2006/05/18
2005-0094	2006/05/15	2006/05/15	2006/05/18
DRWN: ALL IN	CHKD:	APPR: WMSCHANG	DESCRIPTION
EC NO: SH2006-0100			

QUALITY SYMBOLS	GENERAL TOLERANCES (UNLESS SPECIFIED)	
	mm	INCH
▽=0	4 PLACES ± ---	± ---
▽=0	3 PLACES ± ---	± ---
	2 PLACES ± 0.25	± ---
	1 PLACE ± 0.25	± ---
	ANGULAR ± 3°	

DIMENSION STYLE		SCALE	DESIGN UNITS	THIRD ANGLE PROJECTION
MM ONLY			METRIC	
DRAWN BY	DATE	TITLE	PCI EXPRESS X16 LOAD 98 CKT CONNECTOR (LEAD FREE VERSION) MOLEX INCORPORATED	
CHECKED BY	DATE			
APPROVED BY	DATE			
WILSON CHANG 2004/10/26		DOCUMENT NO.	SD-87715-208	
MATERIAL NO.		SEE TABLE		SHEET NO. 1 OF 2

DRAFT WHERE APPLICABLE MUST REMAIN WITHIN DIMENSIONS		THIS DRAWING CONTAINS INFORMATION THAT IS PROPRIETARY TO MOLEX INCORPORATED AND SHOULD NOT BE USED WITHOUT WRITTEN PERMISSION	
--	--	---	--



- △ NO TIE BAR PERMITTED FROM CARD EDGE TO LEADING EDGE OF PAD FOR THE HOT PLUG PINS
- △ CHAMFER EDGES MUST BE FREE OF CUTTING BURRS.

SEE SHEET 1	EC NO: SH2006-0700	2006/05/15	QUALITY SYMBOLS	GENERAL TOLERANCES (UNLESS SPECIFIED)	DIMENSION STYLE MM ONLY	SCALE	DESIGN UNITS METRIC	THIRD ANGLE PROJECTION						
	DRWN: ALL IN	2006/05/15							▽ = 0	mm	INCH	DRAWN BY	DATE	TITLE
	CHKD:	2006/05/15							□ = 0	4 PLACES ± --- ± ---	3 PLACES ± --- ± ---	TOM	2004/10/15	PCI EXPRESS X16 LOAD 98 CKT CONNECTOR (LEAD FREE VERSION)
	APPR: WWSCHANG	2006/05/18							∠ = 0	2 PLACES ± 0.25 ± ---	1 PLACE ± 0.25 ± ---	ALLEN LIN	2004/10/26	
REV	DESCRIPTION	ANGULAR ± 3°	DRAFT WHERE APPLICABLE MUST REMAIN WITHIN DIMENSIONS		APPROVED BY	DATE	MOLEX INCORPORATED							
D					WILSON CHANG	2004/10/26	MOLEX INCORPORATED							
					MATERIAL NO.		DOCUMENT NO.	SHEET NO.						
					SIZE	SEE TABLE	SD-87715-208	2 OF 2						
					THIS DRAWING CONTAINS INFORMATION THAT IS PROPRIETARY TO MOLEX INCORPORATED AND SHOULD NOT BE USED WITHOUT WRITTEN PERMISSION									