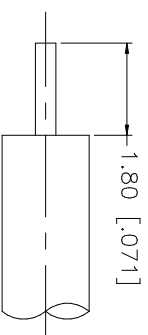
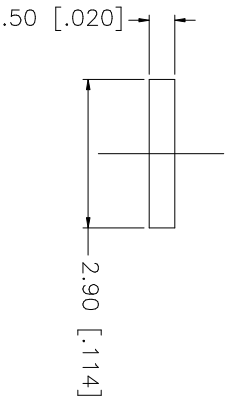
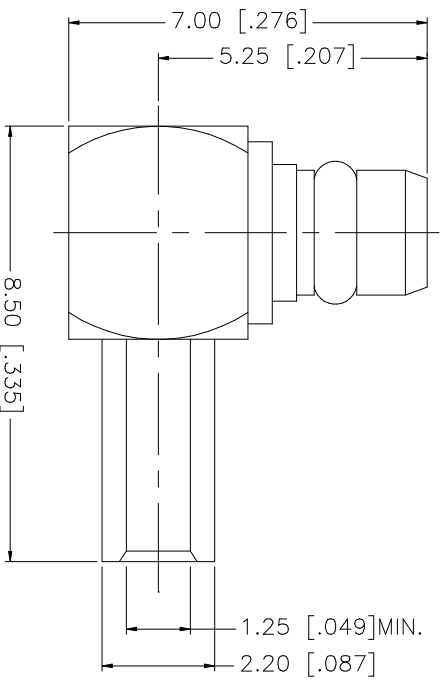


REV.	DATE	DESCRIPTION
NC	01/29/01	INITIAL RELEASE
A	04/30/06	UPDATE DRAWING FORMAT



RECOMMENDED CABLE  
STRIPPING DIM'S.

DESCRIPTION	MATERIAL	FINISH	QTY	DO NOT SCALE DRAWING	APPROVALS	DATE	PART DESCRIPTION	DWG. NO.	REV.	SIZE	SCALE
8							<p><b>Amphenol Connex</b></p> <p>MMCX R/A DIRECT SOLDER PLUG (FOR .047" SEMI-RIGID CABLE)</p> <p>262128</p>	262128.DWG	A	A	N/A
7											
6											
5											
4											
3	CONTACT PIN	BRASS	GOLD	1							
2	INSULATOR	TEFLON	NATURAL	1							
1	BODY	BRASS	GOLD	1							
<p>UNLESS OTHERWISE SPECIFIED DIMENSIONS ARE IN INCHES AND FOR SUBSEQUENT REVISIONS ONLY.</p> <p>UNLESS OTHERWISE SPECIFIED DIMENSIONS IN MILLIMETERS ARE IN MILLIMETERS AND FOR SUBSEQUENT REVISIONS ONLY.</p> <p>UNLESS OTHERWISE SPECIFIED TOLERANCES FOR MILLIMETERS ARE:</p> <p>0.5 - 8mm ± 0.20mm</p> <p>8 - 30mm ± 0.40mm</p> <p>30 - 120mm ± 0.50mm</p> <p>UNLESS OTHERWISE SPECIFIED TOLERANCES FOR INCHES ARE:</p> <p>.020 - .315 = ± 0.007"</p> <p>.315 - 1.180 = ± 0.015"</p> <p>1.180 - 4.724 = ± 0.020"</p>					<p>APPROVALS</p> <p>DRAWN G.R.S.</p> <p>CHECKED</p> <p>ISSUED</p> <p>SHEET 1 OF 1</p>		<p>DATE</p> <p>04/30/06</p>		<p>CAD FILE</p> <p>C:/262/262128.DWG</p>		