

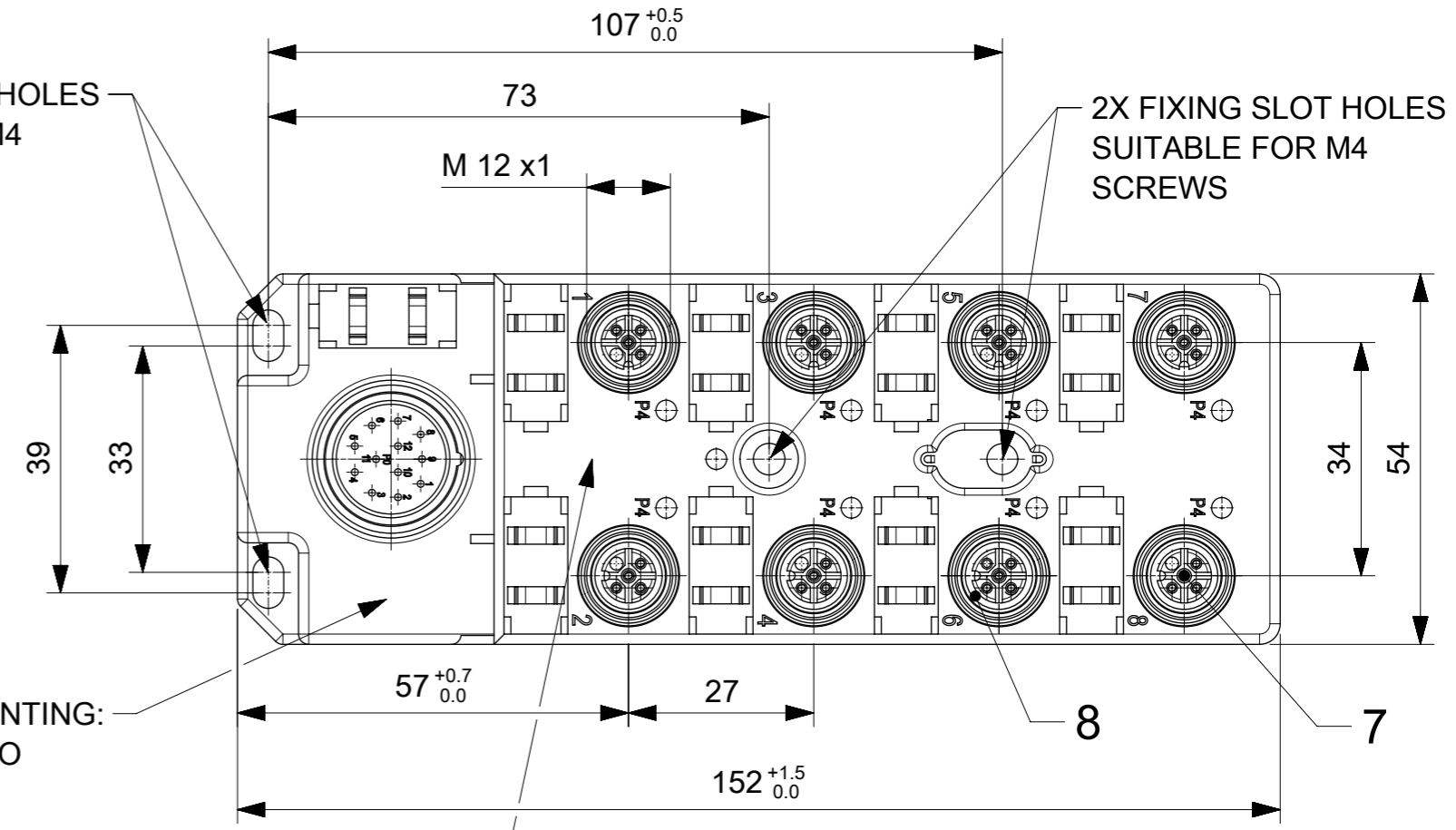
TABLE 1

MOLEX P/N	ENG. NO.	LED
1202480059	BTB8010-FBC	NO
1202480060	BTB801P-FBC	YES
1202480130	BTB801N-FBC	YES

TABLE 2 BILL OF MATERIAL

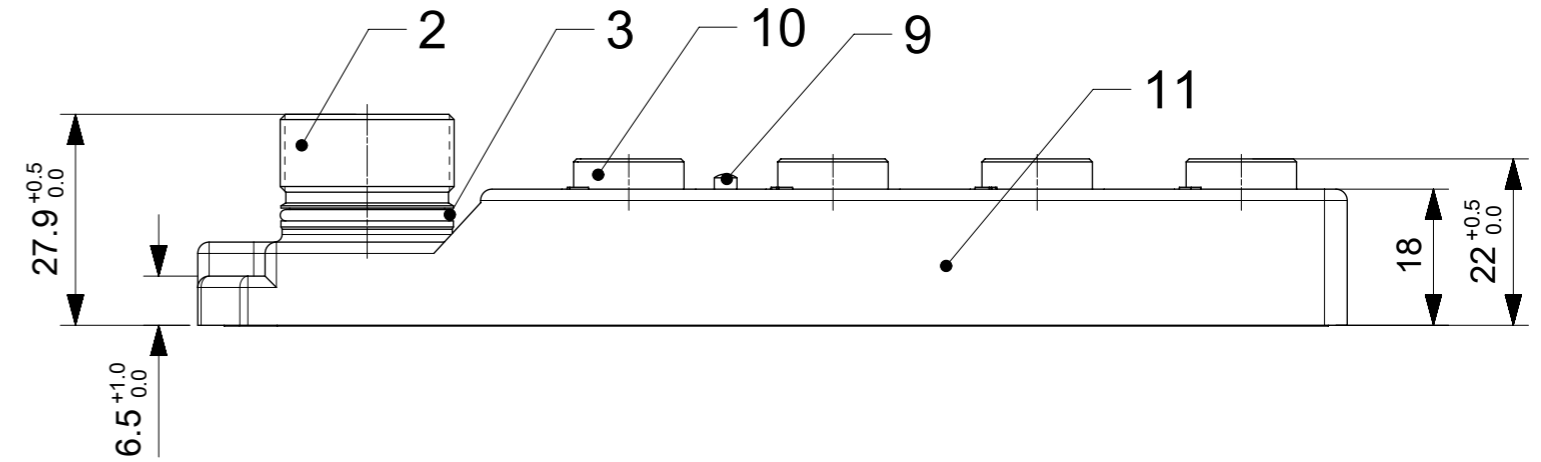
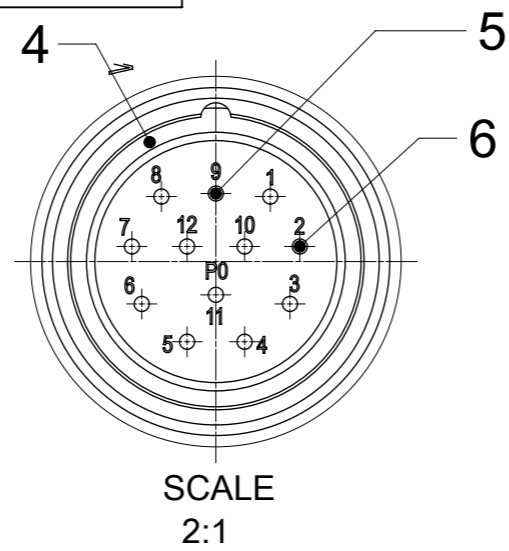
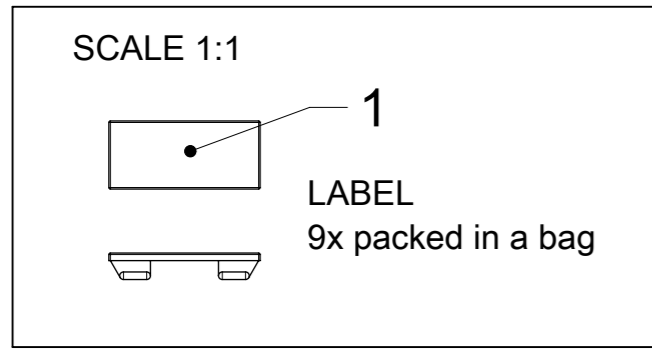
ITEM	DESCRIPTION	MATERIAL	FINISH
1	LABEL	ABS	WHITE
2	SHELL	BRASS	NICKEL PLATED
3	O-RING	NBR	BLACK
4	O-RING	NBR	BLACK
5	CONTACT	BRASS	GOLD OVER NICKEL
6	CONTACT	BRASS	GOLD OVER NICKEL
7	CONTACT	BRONZE	GOLD OVER NICKEL
8	O-RING	FPM	RED
9	LED	NO LED = PA	BLACK
		WITH LED = PA	TRANSPARENT
10	SHELL	BRASS	NICKEL PLATED
11	HOUSING	PBT	BLACK

2X FIXING SLOT HOLES
SUITABLE FOR M4
SCREWS



LASER PRINTING:
BRAD LOGO

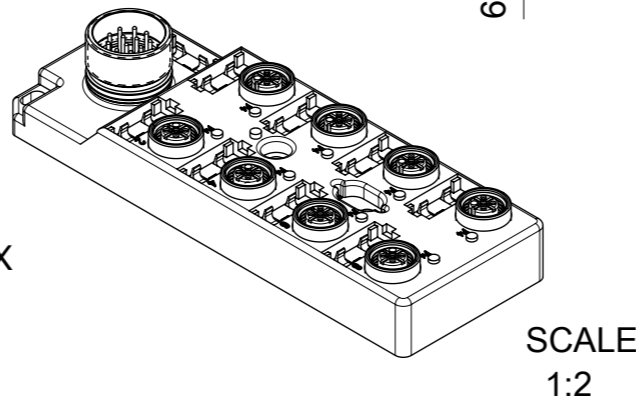
LASER PRINTING:
PN: 120248XXXX
ENG.: BTB801X-FBC
PO: XXXXXXXXX



GENERAL CHARACTERISTICS:

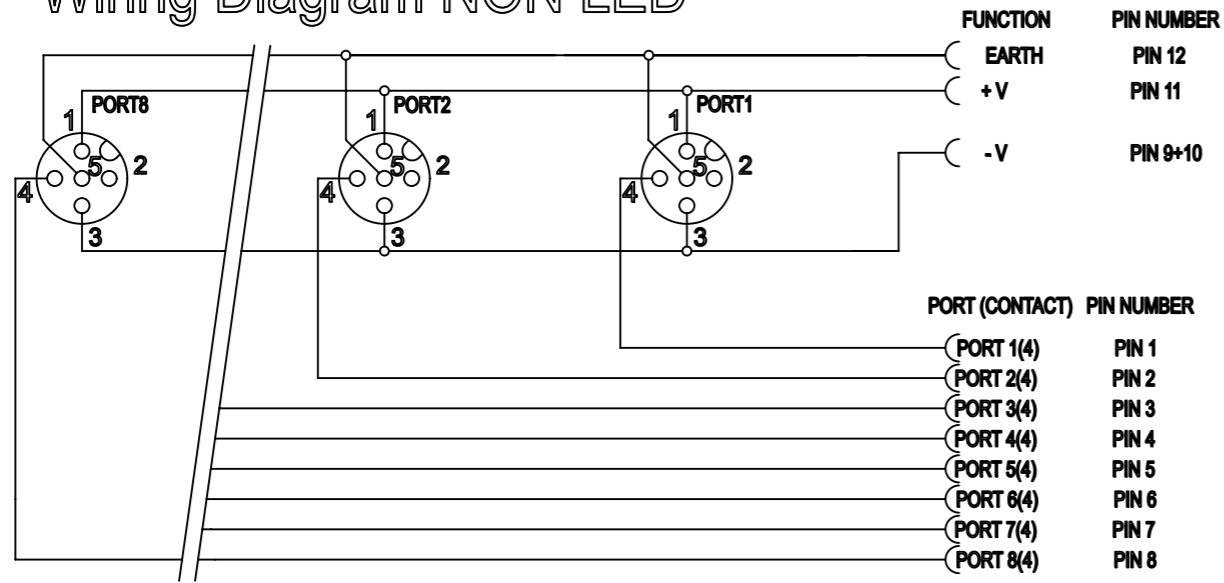
ELECTRICAL AND MECHANICAL DATA ACC. TO IEC 61076-2-101

NOMINAL VOLTAGE: 10-30 V DC
 AMPERE RATING: 4 A PER PORT / 12 A MAX
 AMPERE RATING WITH UL REGISTRATION: 3 A PER PORT / 9 A MAX
 IP DEGREE OF PROTECTION: IP 67
 TEMPERATURE RANGE: -25°C to + 85°C

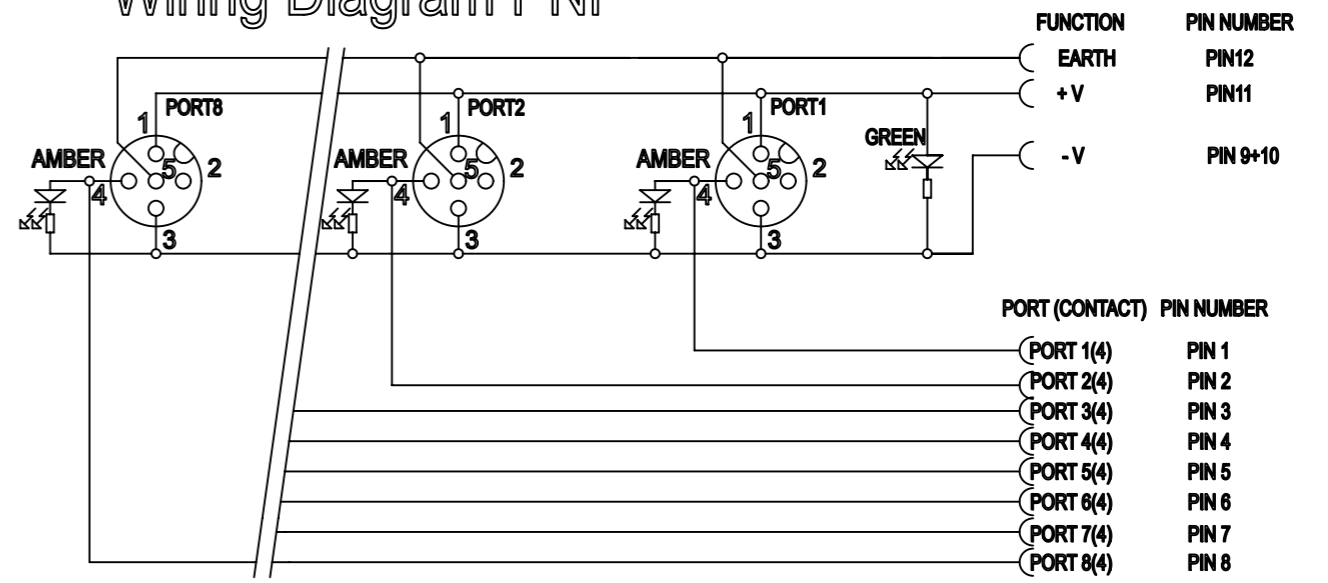


SYMBOLS		THIS DRAWING CONTAINS INFORMATION THAT IS PROPRIETARY TO MOLEX ELECTRONIC TECHNOLOGIES, LLC AND SHOULD NOT BE USED WITHOUT WRITTEN PERMISSION	
DIMENSION UNITS	SCALE	CURRENT REV DESC: LASER PRINT UPDATE	
mm	1:1		
GENERAL TOLERANCES (UNLESS SPECIFIED)			
ANGULAR TOL	± °		
4 PLACES	±	EC NO: 606042	2018/08/30
3 PLACES	±	DRWN: SSM	2018/10/18
2 PLACES	±	CHK'D: RSILLER	2018/10/18
1 PLACE	±	APPR: RSILLER	2018/10/18
0 PLACES	± 0.25	INITIAL REVISION:	
DRAFT WHERE APPLICABLE MUST REMAIN WITHIN DIMENSIONS		DRWN: AAHLERS	2015/04/02
		APPR: RSILLER	2015/05/20
THIRD ANGLE PROJECTION		DRAWING	SERIES
A3-SIZE		120248	MATERIAL NUMBER
SEE TABLE 1		CUSTOMER	
GENERAL MARKET		SHEET NUMBER	
1 OF 2			

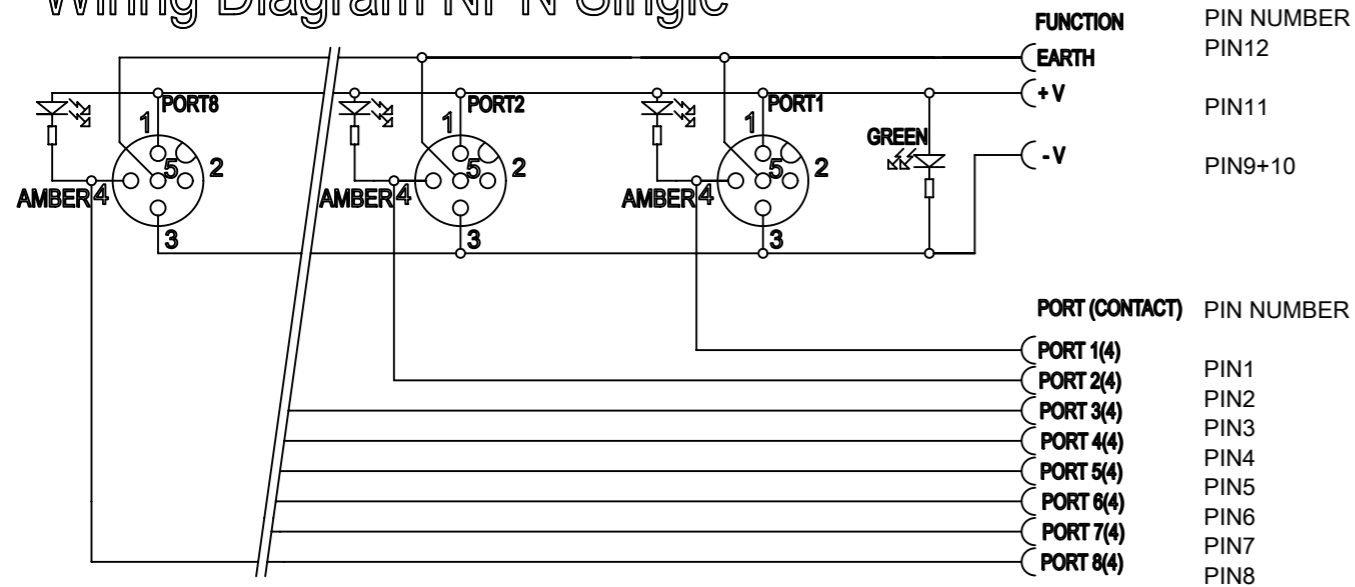
Wiring Diagram NON LED



Wiring Diagram PNP



Wiring Diagram NPN Single



SYMBOLS	THIS DRAWING CONTAINS INFORMATION THAT IS PROPRIETARY TO MOLEX ELECTRONIC TECHNOLOGIES, LLC AND SHOULD NOT BE USED WITHOUT WRITTEN PERMISSION		CURRENT REV DESC: LASER PRINT UPDATE		
	DIMENSION UNITS	SCALE			
▽ = 0	mm	1:1			
▽ = 0	GENERAL TOLERANCES (UNLESS SPECIFIED)				
▽ = 0	ANGULAR TOL ± °				
▽ = 0	4 PLACES	±			
▽ = 0	3 PLACES	±			
▽ = 0	2 PLACES	±			
▽ = 0	1 PLACE	±			
▽ = 0	0 PLACES	± 0.25			
■ = 0	DRAFT WHERE APPLICABLE MUST REMAIN WITHIN DIMENSIONS				
▽ = 0	THIRD ANGLE PROJECTION		DRAWING	SERIES	MATERIAL NUMBER
			A3-SIZE	120248	SEE TABLE 1
			CUSTOMER		SHEET NUMBER
			GENERAL MARKET		2 OF 2