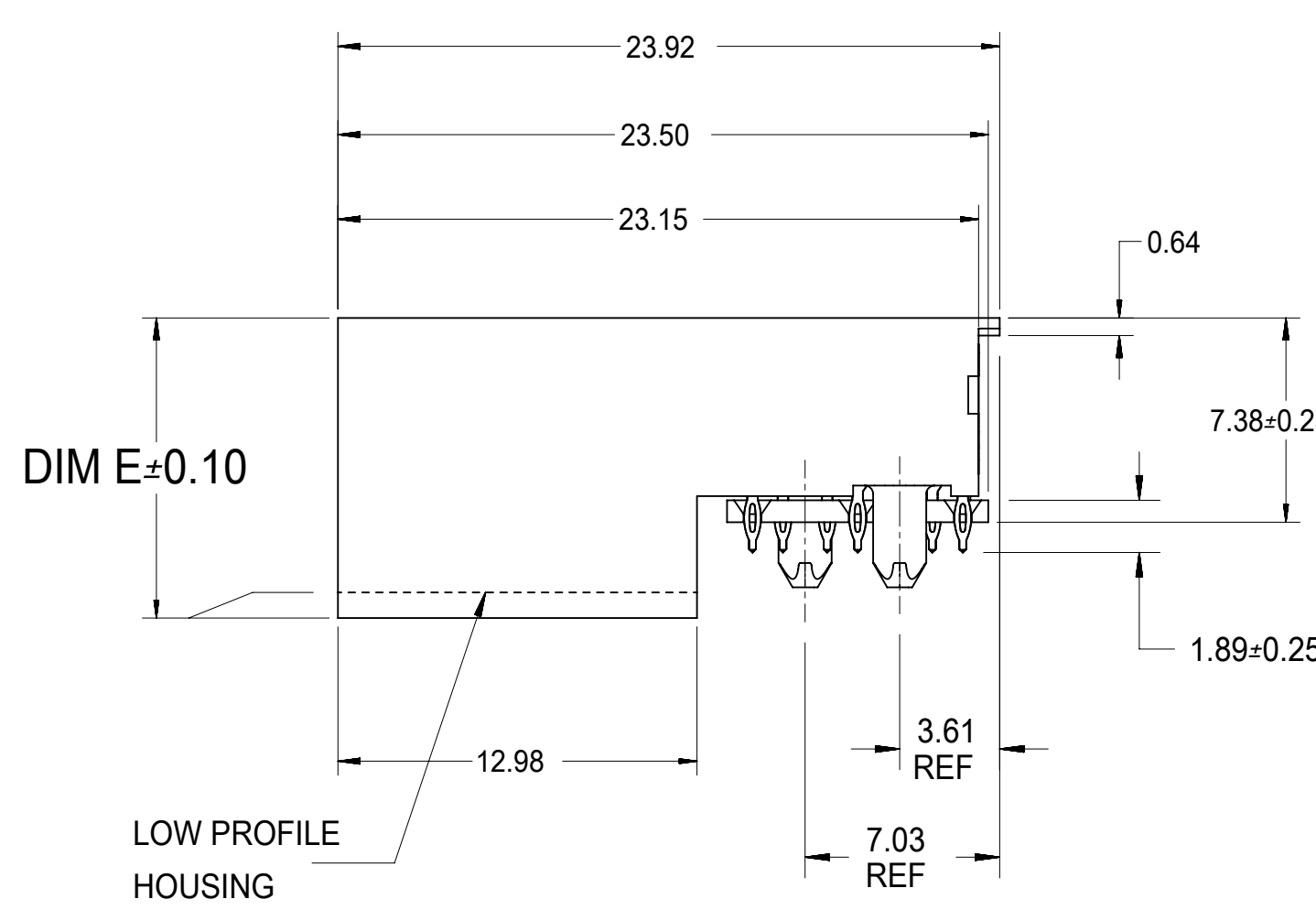
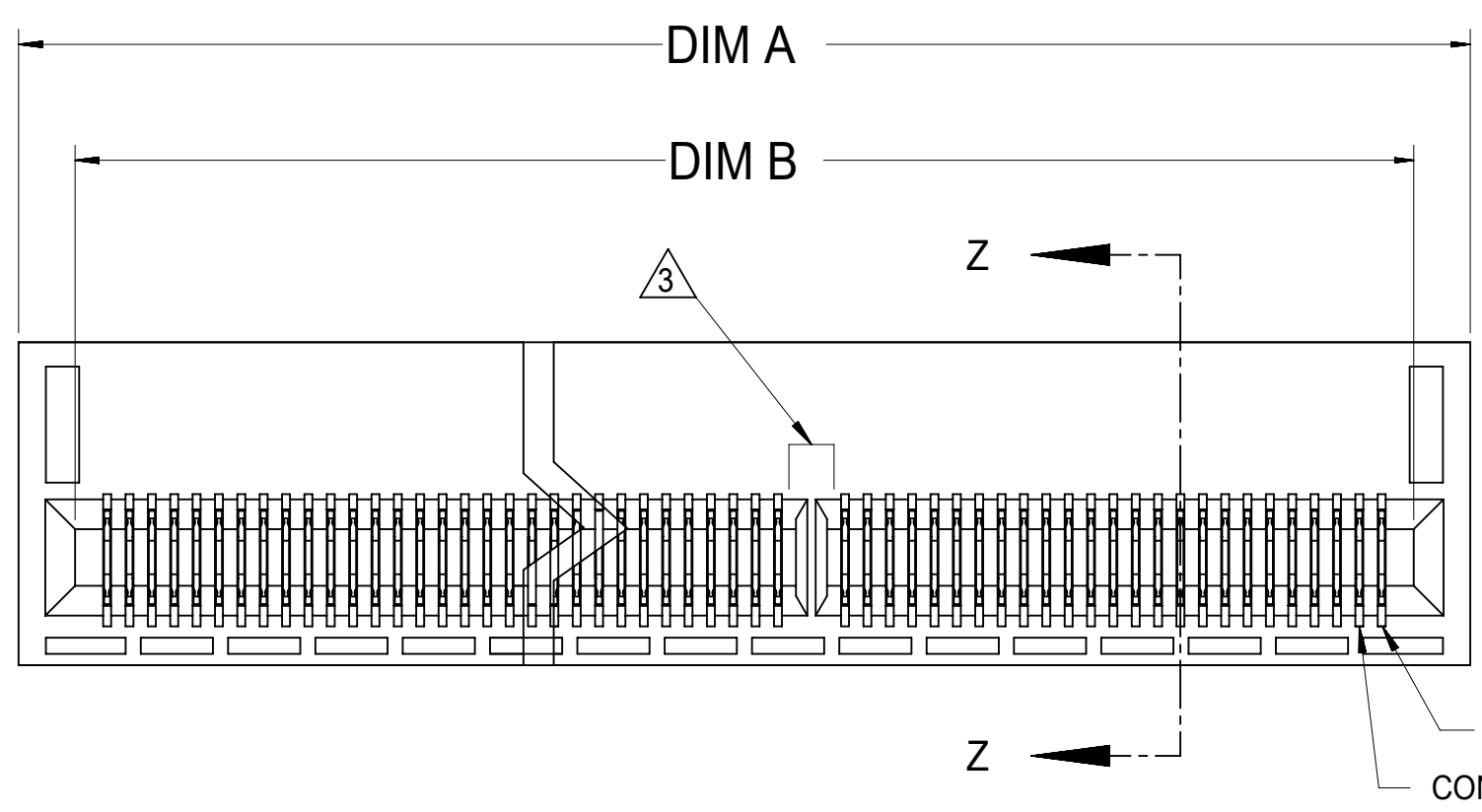
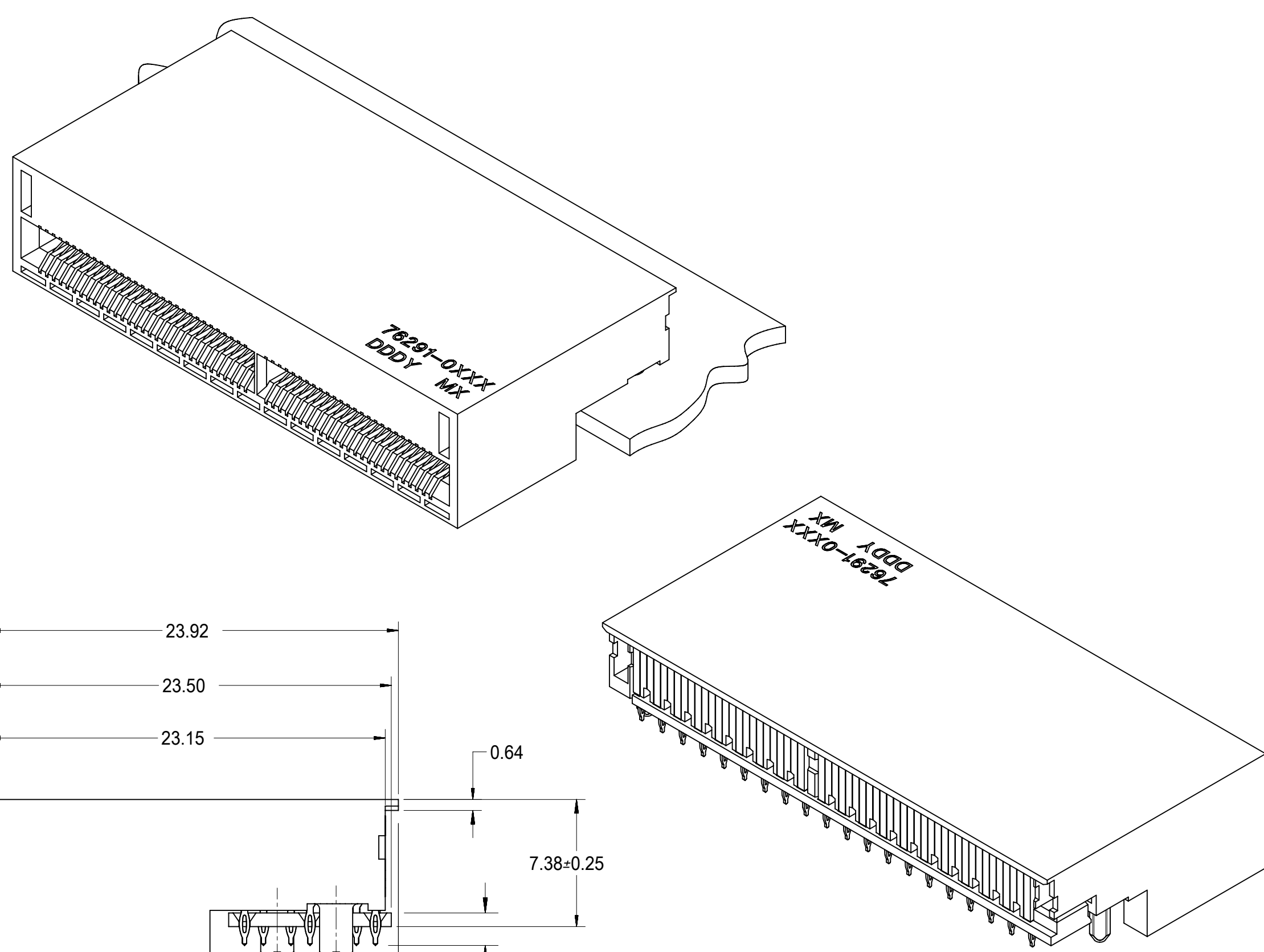
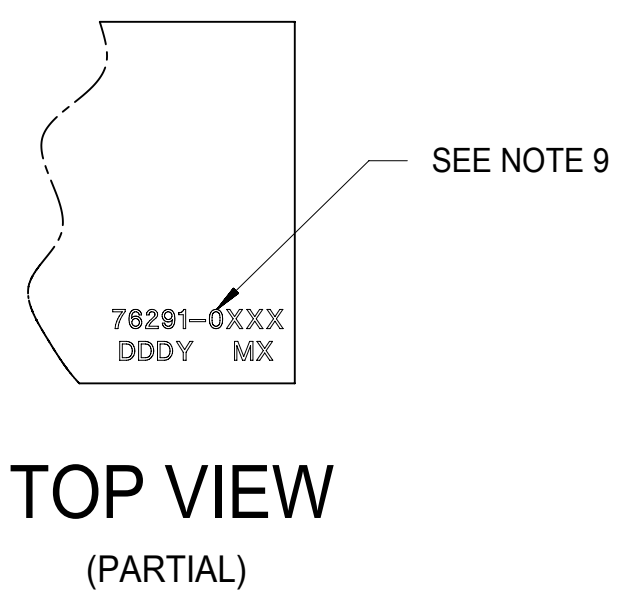
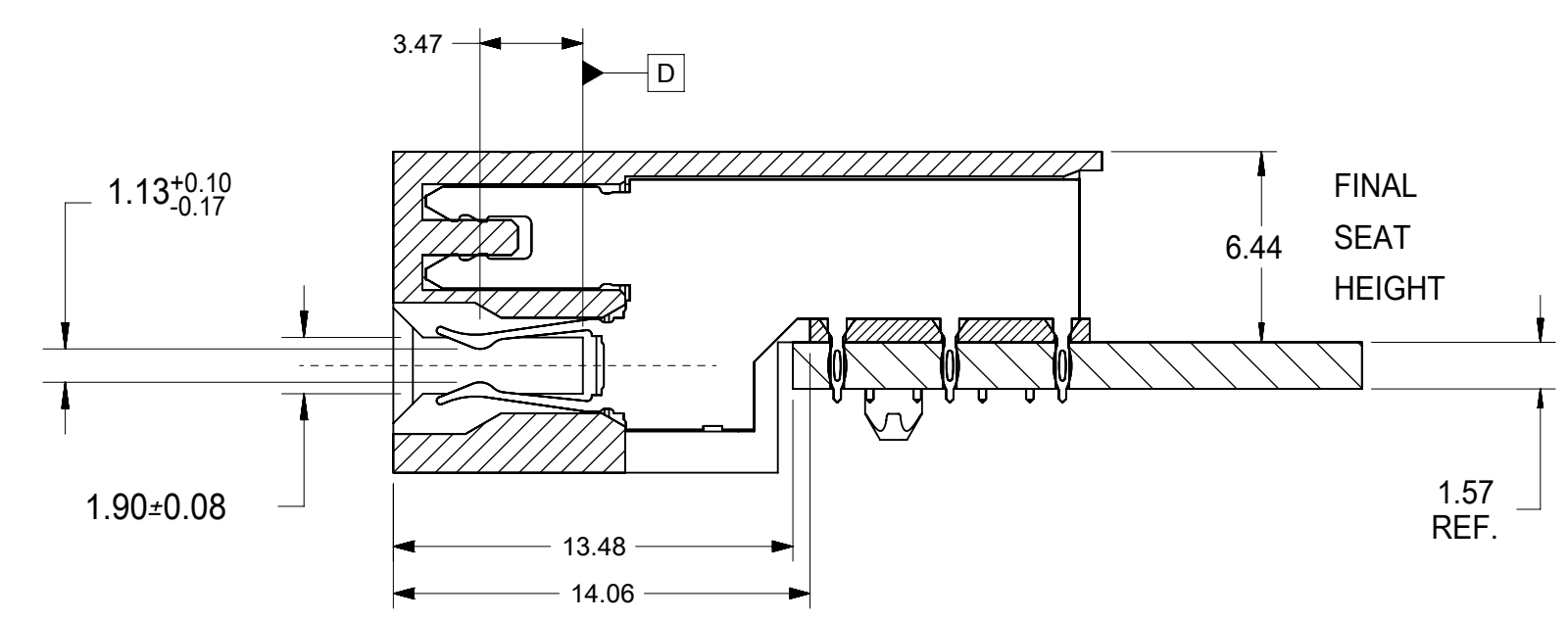
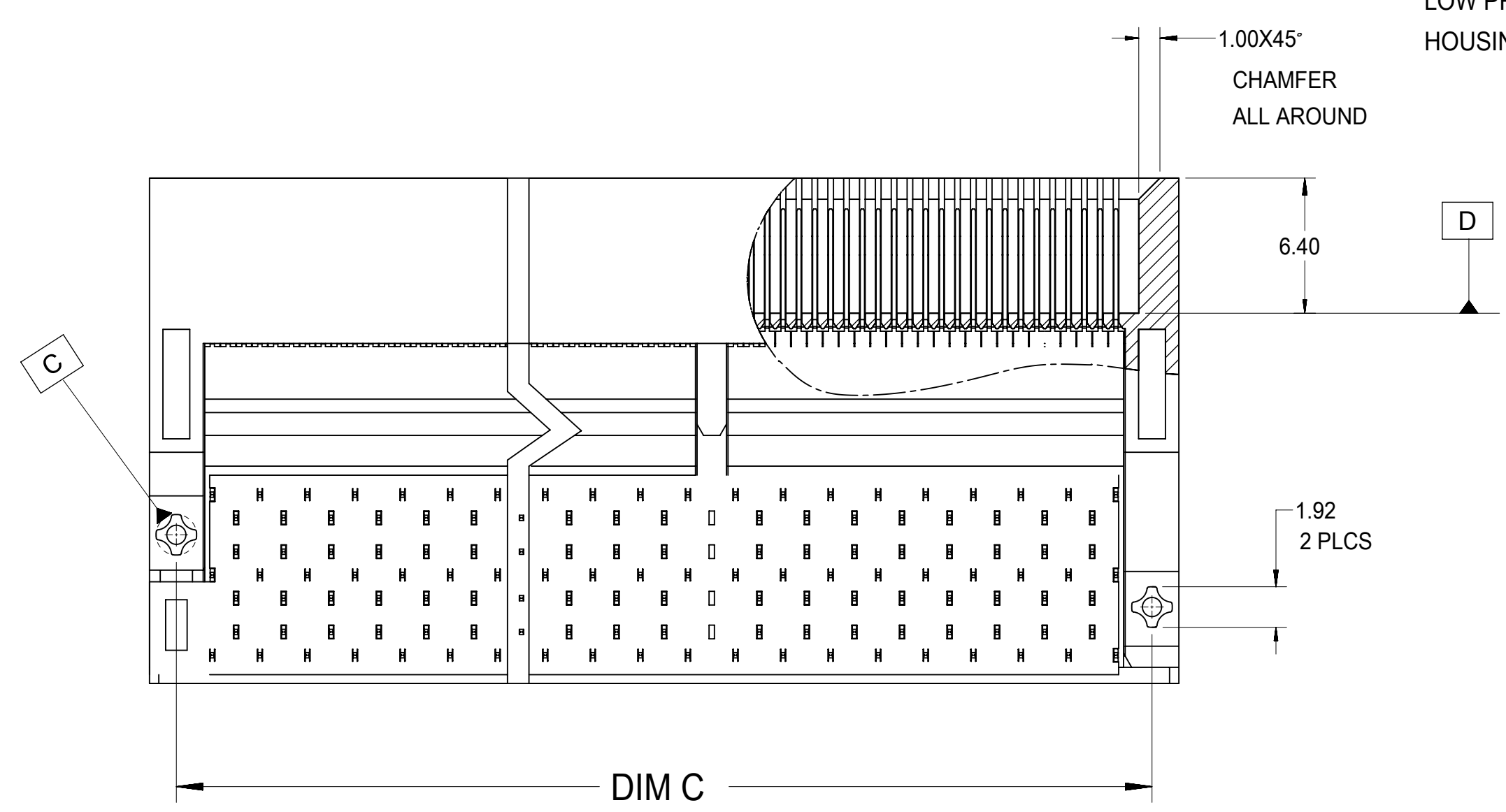


PART NUMBER	TIN	TIN PREVIOUSLY TINLEAD	STATUS	CKTS	DIM A	DIM B	DIM C	DIM D	POWER POS.	DIM E
762910008	762910008		NOT TOOLED	8	8.19	4.40	5.65	4.25	-	10.84
762910014	762910014		NOT TOOLED	14	10.44	6.65	7.90	6.50	-	10.84
762910020	762910020		NOT TOOLED	20	12.69	8.90	10.15	8.75	-	10.84
762910026	762910026		NOT TOOLED	26	14.94	11.15	12.40	11.00	-	10.84
762910032	762910032		NOT TOOLED	32	17.19	13.40	14.65	13.25	-	10.84
762910038	762910038			38	19.44	15.60	16.90	15.50	-	10.84
762910044	762910044		NOT TOOLED	44	21.69	17.90	19.15	17.75	-	10.84
762910050	762910050		NOT TOOLED	50	23.94	20.15	21.40	20.00	-	10.84
762910056	762910056		NOT TOOLED	56	26.19	22.40	23.65	22.25	-	10.84
762910062	762910062		NOT TOOLED	62	28.44	24.65	25.90	24.50	-	10.84
762910068	762910068			68	30.69	26.90	28.15	26.75	-	10.84
762910074	762910074		NOT TOOLED	74	32.94	29.15	30.40	29.00	-	10.84
762910080	762910080		NOT TOOLED	80	35.19	31.40	32.65	31.25	-	10.84
762910086	762910086		NOT TOOLED	86	37.44	33.65	34.90	33.50	-	10.84
762910092	762910092		NOT TOOLED	92	39.69	35.90	37.15	35.75	-	10.84
762910098	762910098		NOT TOOLED	98	41.94	38.15	39.40	38.00	-	10.84
762910104	762911004		NOT TOOLED	104	44.19	40.40	41.65	40.25	-	10.84
762910110	762911110		NOT TOOLED	110	46.44	42.65	43.90	42.50	-	10.84
762910116	762911116		NOT TOOLED	116	48.69	44.90	46.15	44.75	-	10.84
762910122	762911122		NOT TOOLED	122	50.94	47.15	48.40	47.00	-	10.84
762910128	762911128		NOT TOOLED	128	53.19	49.40	50.65	49.25	-	10.84
762910134	762911134		NOT TOOLED	134	55.44	51.65	52.90	51.50	-	10.84
762910140	762911140			140	57.69	53.90	55.15	53.75	-	10.84
762910146	762911146		NOT TOOLED	146	59.94	56.15	57.40	56.00	-	10.84
762910152	762911152		NOT TOOLED	152	62.19	58.40	59.65	58.25	-	10.84
762910158	762911158		NOT TOOLED	158	64.44	60.65	61.90	60.50	-	10.84
762910164	762911164		NOT TOOLED	164	66.69	62.90	64.15	62.75	-	10.84
762910170	762911170			170	68.94	65.15	66.40	65.00	-	10.84
762910171	762911171			170	68.94	65.15	66.40	65.00	2	10.84
762910172	762911172			170	68.94	65.15	66.40	65.00	28	10.84
762910178	762911078		NOT TOOLED	178	73.44	69.65	70.90	69.50	-	10.84
762910184	762911184		NOT TOOLED	184	75.69	71.90	73.15	71.75	-	10.84
762910190	762911190		NOT TOOLED	190	77.94	74.15	75.40	74.00	-	10.84
762910196	762911196		NOT TOOLED	196	80.19	76.40	77.65	76.25	-	10.84
762910202	762911202		NOT TOOLED	202	82.44	78.65	79.90	78.50	-	10.84
762910208	762911208		NOT TOOLED	208	84.69	80.90	82.15	80.75	-	10.84
762910214	762911214		NOT TOOLED	214	86.94	83.15	84.40	83.00	-	10.84
762910220	762911220		NOT TOOLED	220	89.19	85.40	86.65	85.25	-	10.84
762910226	762911226			226	91.44	87.65	88.90	87.50	-	10.84
762912226	762913226			226	91.44	87.65	88.90	87.50	-	10.15
762910232	762911232		NOT TOOLED	232	93.69	89.90	91.15	89.75	-	10.84
762910238	762911238		NOT TOOLED	238	95.94	92.15	93.40	92.00	-	10.84
762910244	762911244		NOT TOOLED	244	98.19	94.40	95.65	94.25	-	10.84
762910250	762911250			25	100.44	96.65	97.90	96.50	-	10.84



LOW PROFILE

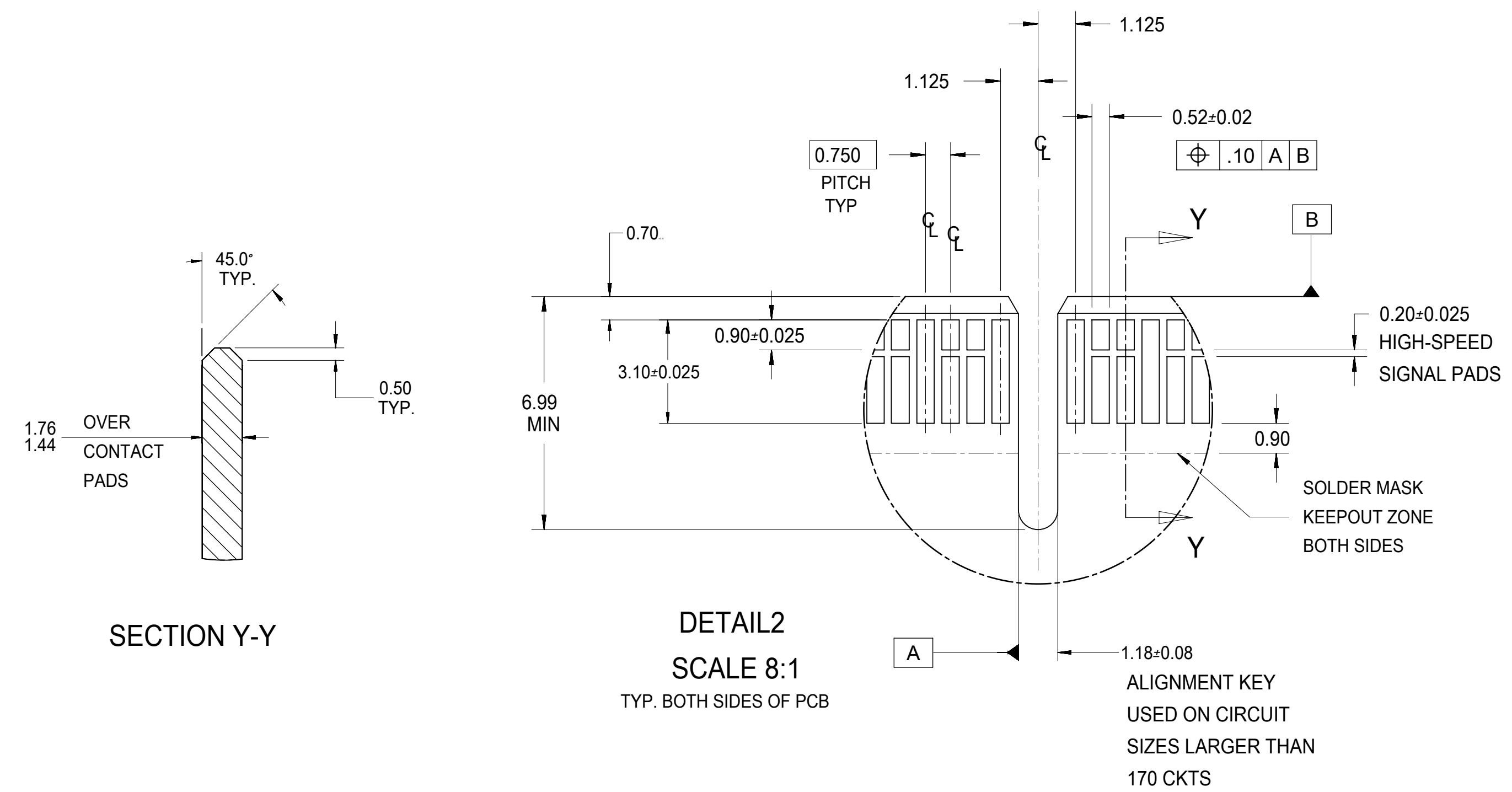
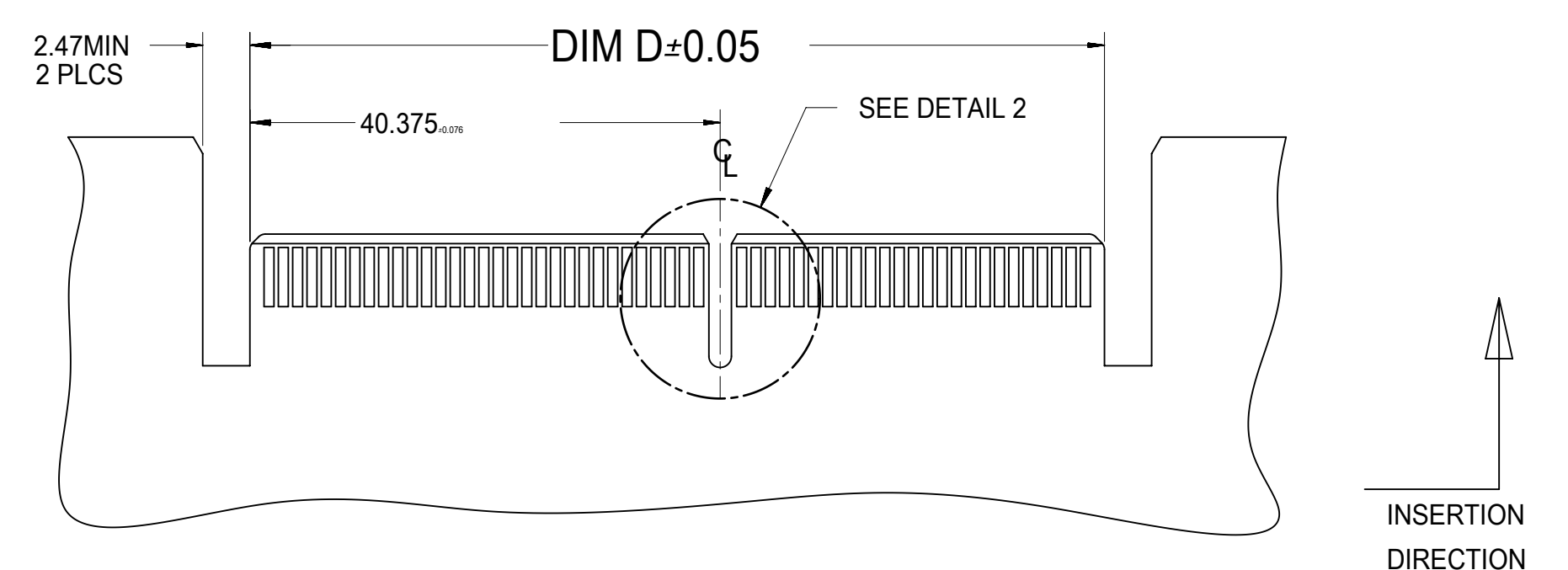
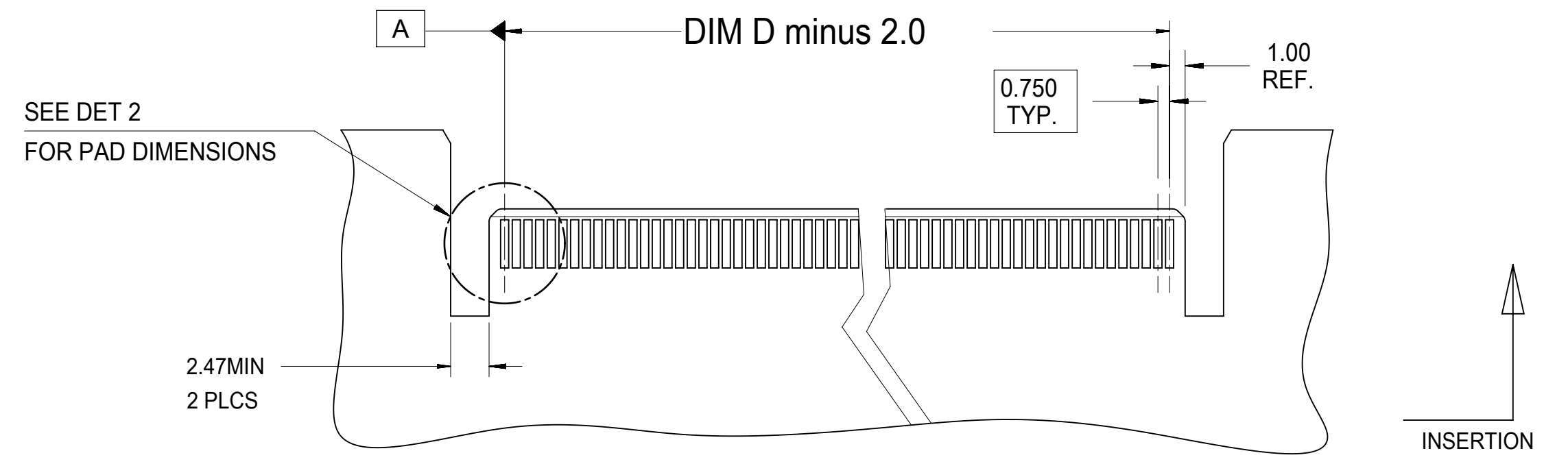
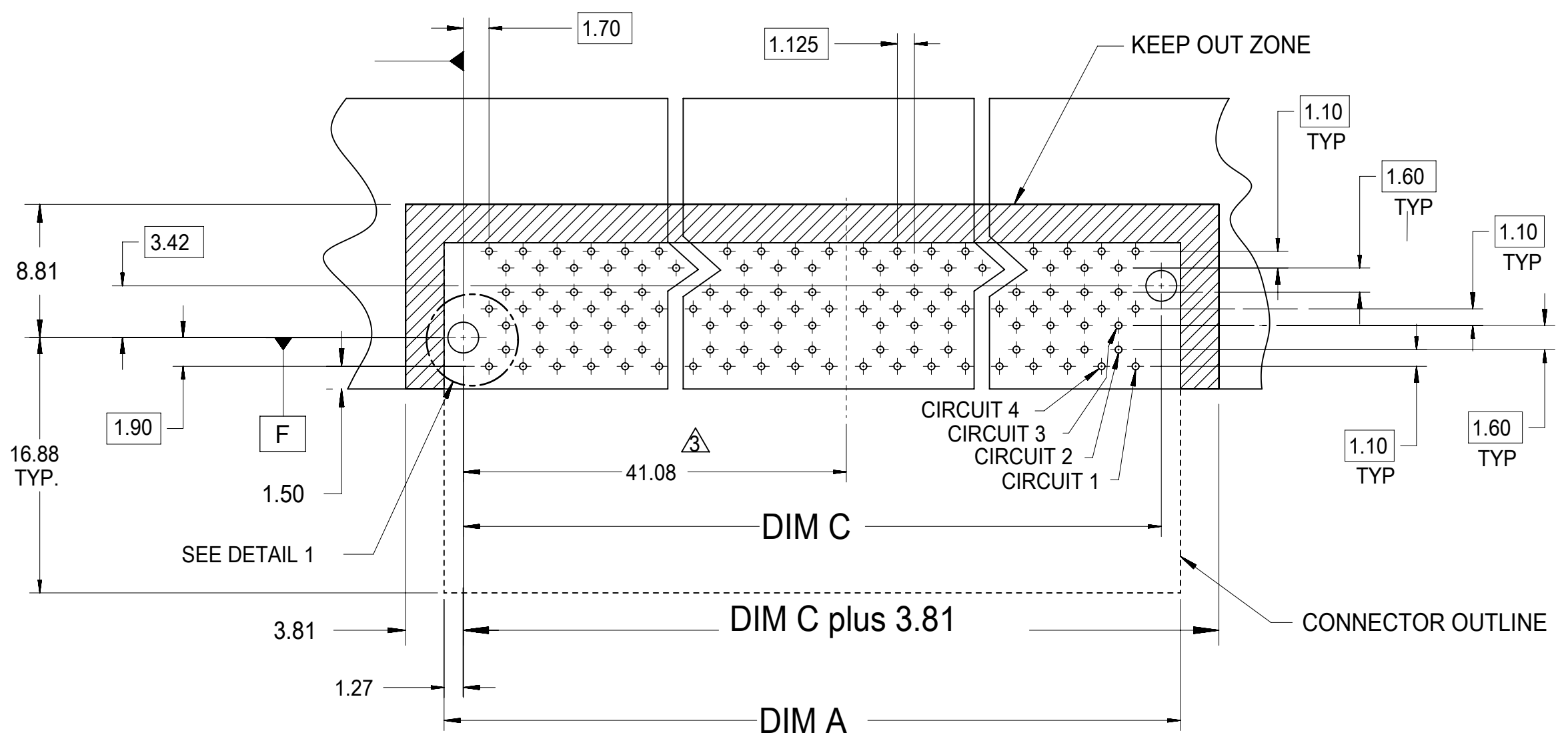
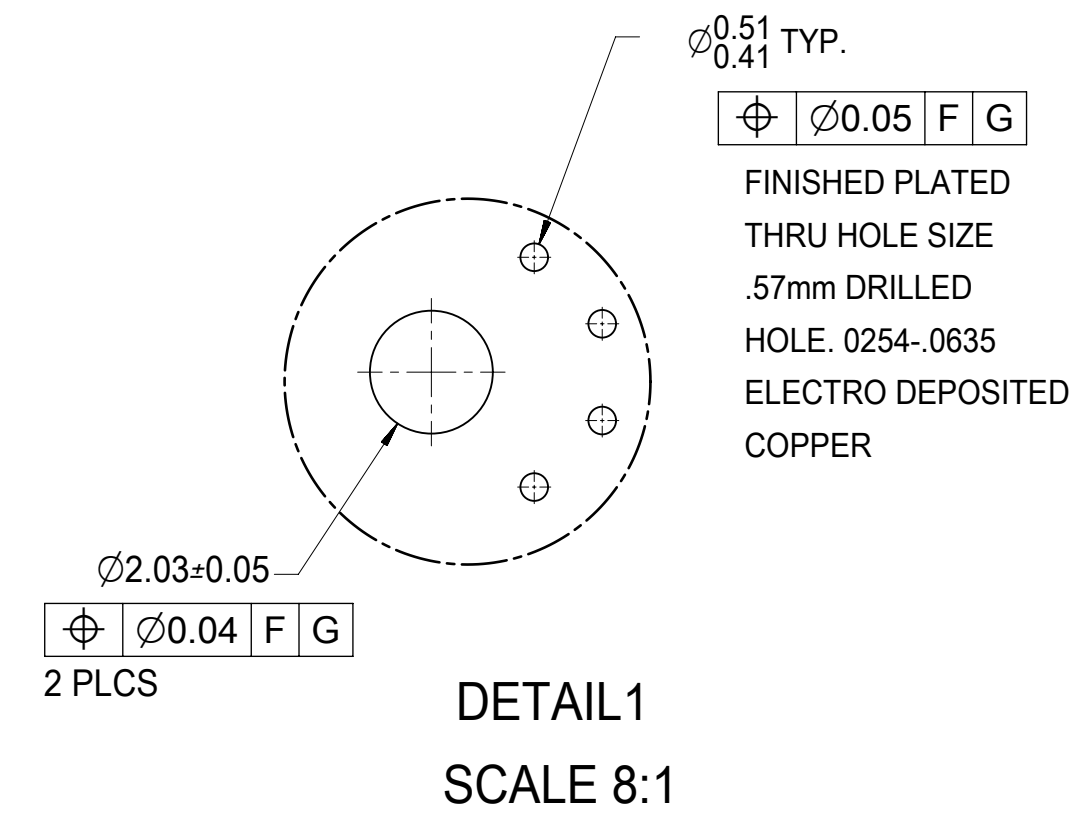
LOW PROFILE HOUSING



SECTION Z-Z

- NOTES:
- MATERIAL -
CONNECTOR HOUSING - GLASS FILLED LCP, 94V-0, BLACK
OVERMOLDING ON TERMINALS: GLASS FILLED LCP, 94V-0, BLACK
TERMINALS: COPPER ALLOY, SPRING TEMPER
 - TERMINAL FINISH:
CONTACT AREA: .75m HARD GOLD OVER 3.8m MIN NICKEL.
COMPLIANT AREA: .75-1.50m TIN OVER .75m - 1.50m NICKEL.
 - FOR CIRCUIT SIZES GREATER THAN 170, A CENTER ALIGNMENT KEY WILL BE USED.
 - REFER TO PS-76291-001 PRODUCT SPEC FOR ALL ELECTRICAL, MECHANICAL, AND ENVIRONMENTAL SPECIFICATIONS.
 - REFER TO PK-76291-001 FOR ALL PACKAGING SPECIFICATIONS.
 - REFER TO AS-76291-001 FOR BOARD APPLICATION INFORMATION.
 - MODULE BOARD CONTACT PAD PLATING TO BE .76m MIN HARD GOLD OVER 2.54m MIN NICKEL
 - MODULE BOARD CONTACT PAD SURFACE ROUGHNESS NOT TO EXCEED Ra 0.2m.
 - PART TO BE LASER MARKED WITH PART NUMBER, WHERE XXX IS THE CIRCUIT SIZE OR POWER WAFER OPTION, MANUFACTURING FACILITY, AND DATE CODE IN THE FORMAT OF: DAY OF THE YEAR AND LAST DIGIT OF THE YEAR: DDDY

SYMBOLS		THIS DRAWING CONTAINS INFORMATION THAT IS PROPRIETARY TO MOLEX ELECTRONIC TECHNOLOGIES, LLC AND SHOULD NOT BE USED WITHOUT WRITTEN PERMISSION	
▽ = 0	mm	SCALE	NTS
▽ = 0	GENERAL TOLERANCES (UNLESS SPECIFIED)		
▽ = 0	ANGULAR TOL	±	0.5°
▽ = 0	4 PLACES	±	
▽ = 0	3 PLACES	±	
▽ = 0	2 PLACES	±	0.13
▽ = 0	1 PLACE	±	0.25
▽ = 0	0 PLACES	±	
■ = 0	DRAFT WHERE APPLICABLE MUST REMAIN WITHIN DIMENSIONS		
▽ = 0	THIRD ANGLE PROJECTION	DRAWING	SERIES
		D-SIZE	76291
CURRENT REV DESC: MIGRATED TO NX		EC NO: 611387	
		DRWN: BARWANKAR 2019/01/31	
		CHK'D: VMANICKAM 2019/02/01	
		APPR: SHLENI 2019/02/13	
		INITIAL REVISION:	
		DRWN: HAVERY 2008/07/14	
		APPR: MBANAKIS 2008/07/22	
DOCUMENT NUMBER		DOC TYPE	DOC PART
SD-76291-001		PSD	001
REVISION		T	
MATERIAL NUMBER		CUSTOMER	SHEET NUMBER
SEE CHART		GENERAL MARKET	1 OF 3

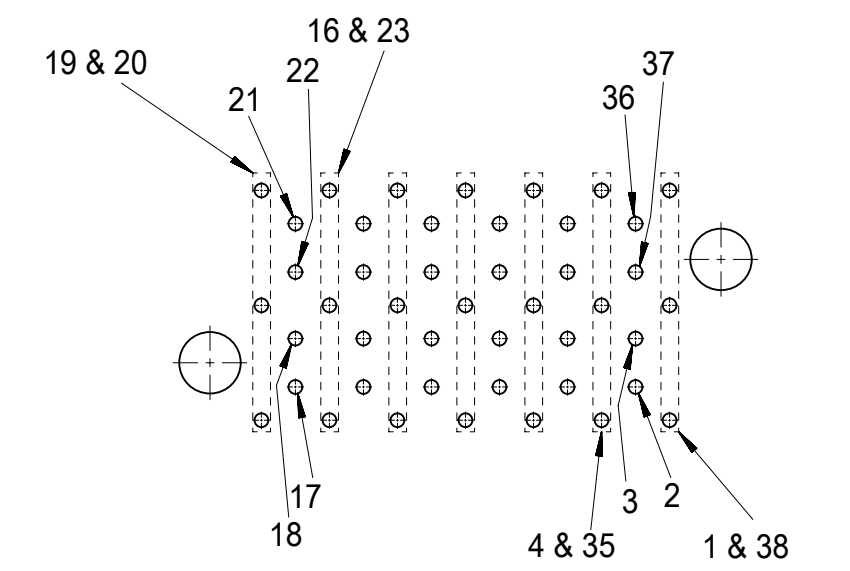
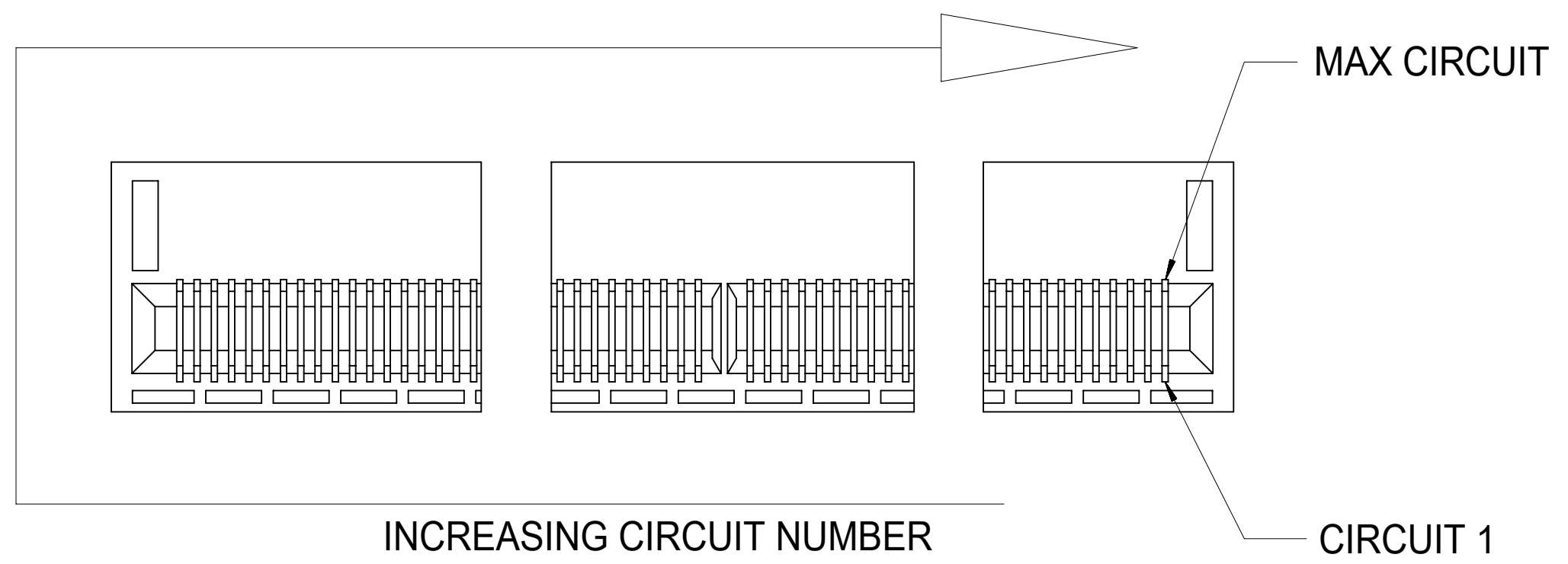


SYMBOLS										THIS DRAWING CONTAINS INFORMATION THAT IS PROPRIETARY TO MOLEX ELECTRONIC TECHNOLOGIES, LLC AND SHOULD NOT BE USED WITHOUT WRITTEN PERMISSION									
= 0					mm					NTS					CURRENT REV DESC: MIGRATED TO NX				
= 0					GENERAL TOLERANCES (UNLESS SPECIFIED)					EC NO: 611387					2019/01/31				
= 0					ANGULAR TOL ± 0.5°					DRWN: BARWANKAR					2019/02/01				
= 0					4 PLACES ±					CHK'D: VMANICKAM					2019/02/13				
= 0					3 PLACES ±					APPR: SHLENI					INITIAL REVISION:				
= 0					2 PLACES ± 0.13					DRWN: HAVERY					2008/07/14				
= 0					1 PLACE ± 0.25					APPR: MBANAKIS					2008/07/22				
= 0					0 PLACES ±					DRAFT WHERE APPLICABLE MUST REMAIN WITHIN DIMENSIONS					THIRD ANGLE PROJECTION				
= 0					D-DRAWING					SERIES					MATERIAL NUMBER				
= 0					D-SIZE					76291					SEE CHART				
DOCUMENT STATUS										CUSTOMER									
P1										GENERAL MARKET									
RELEASE DATE										SHEET NUMBER									
2019/02/13 07:54:33										2 OF 3									

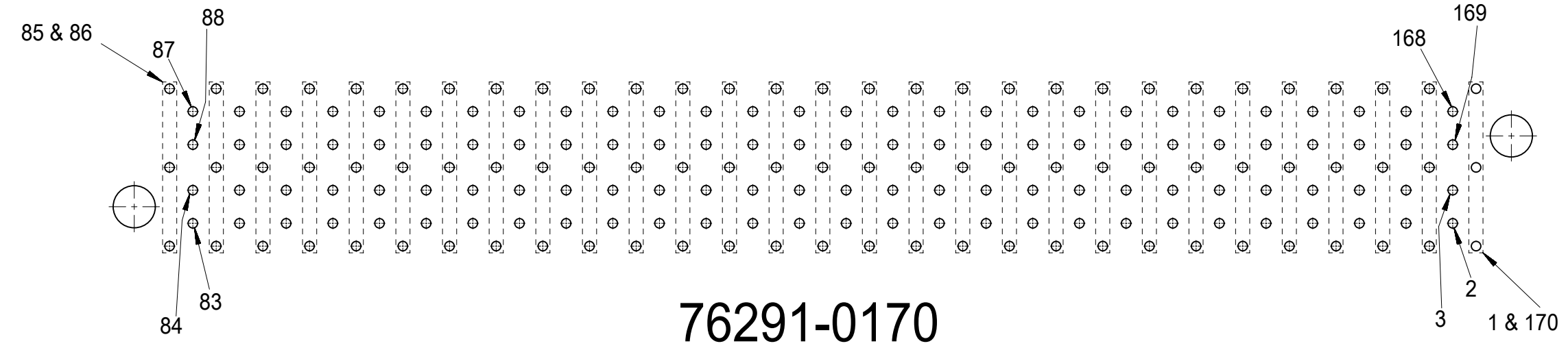
molex
 .75 COPLANAR CONNECTOR
 GENERAL SALES DRAWING
 PRODUCT CUSTOMER DRAWING
 DOCUMENT NUMBER: SD-76291-001
 DOC TYPE: PSD
 DOC PART: 001
 REVISION: T
 MATERIAL NUMBER: SEE CHART
 CUSTOMER: GENERAL MARKET
 SHEET NUMBER: 2 OF 3

PCB PIN-OUT ASSIGNMENTS

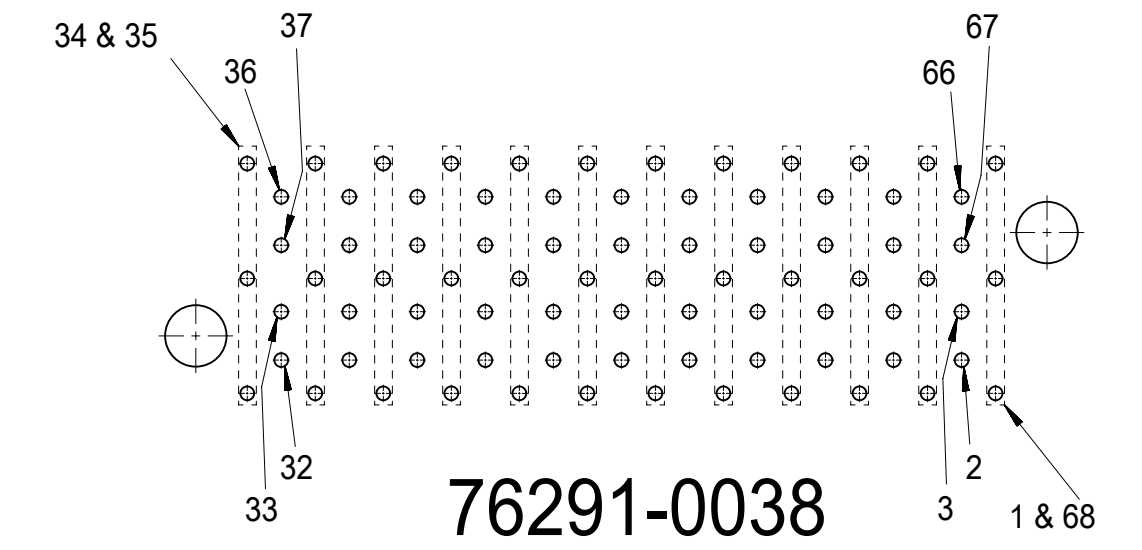
(TOP SIDE OF BOARD SHOWN)



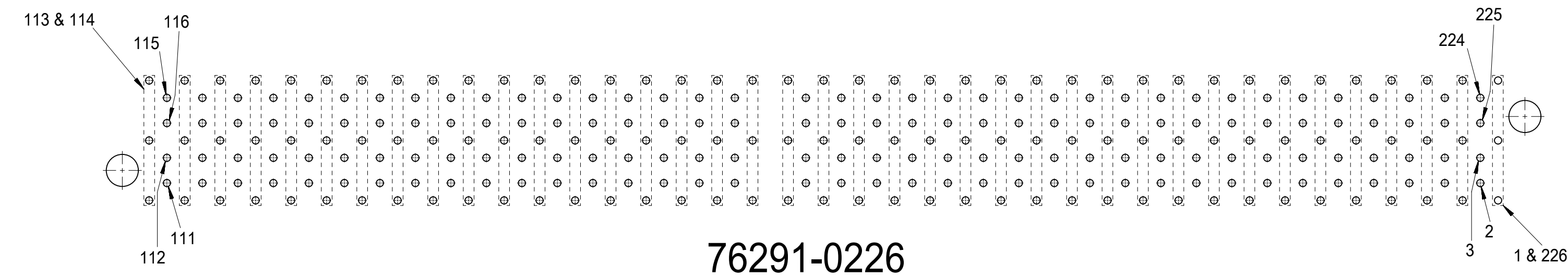
76291-0038



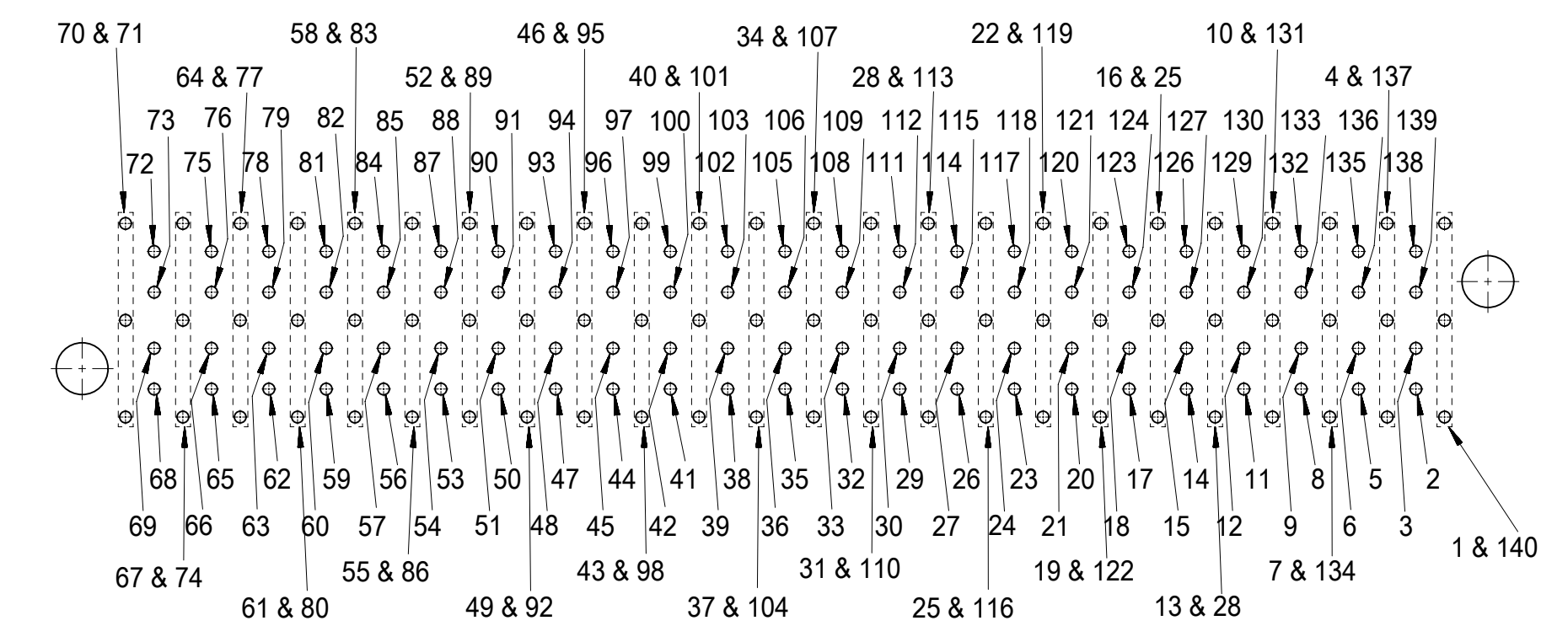
76291-0170



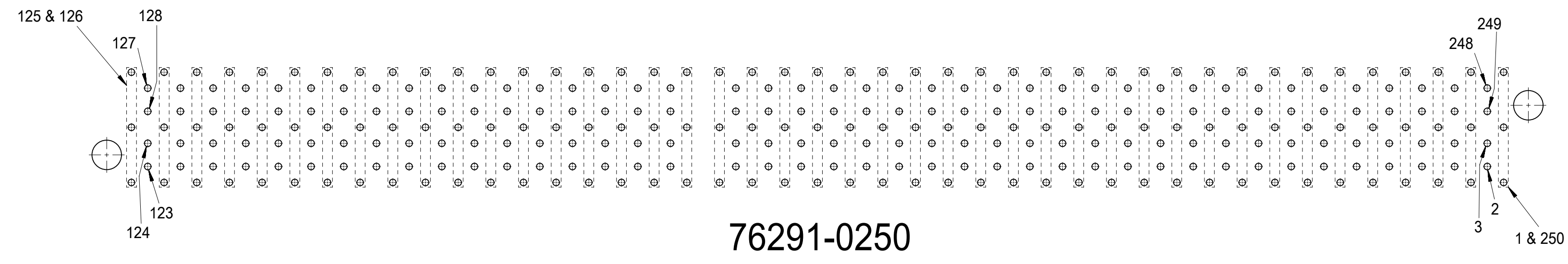
76291-0038



76291-0226



76291-0140

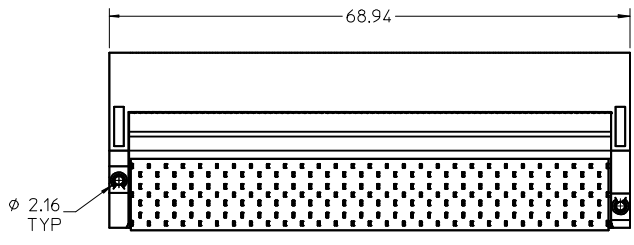
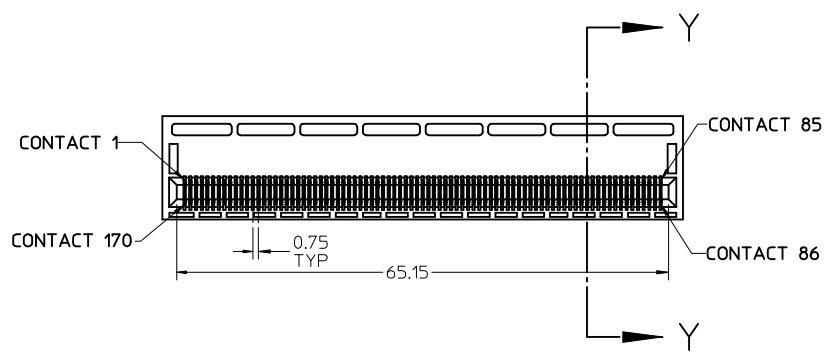
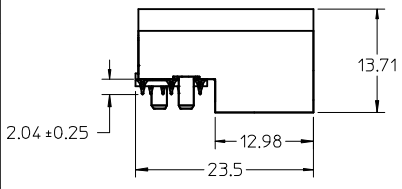
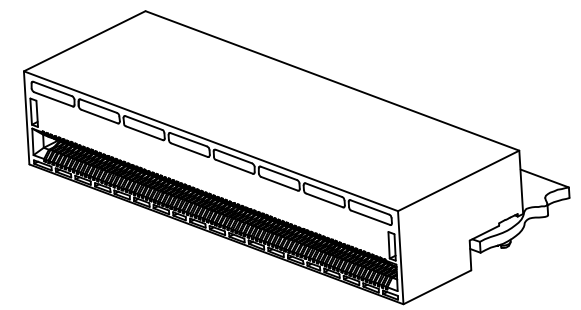
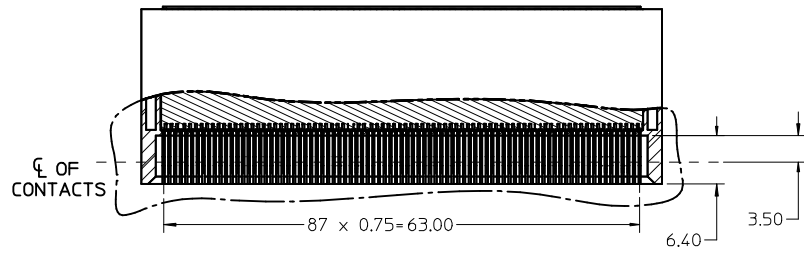


76291-0250

FRONT EDGE OF PCB

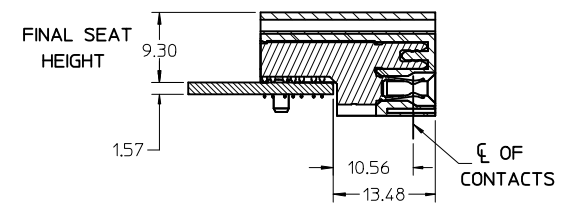
NOTES ON CIRCUIT DESIGNATIONS:
 1. CIRCUIT 1 STARTS AT LOWER RIGHT HAND CORNER AND INCREASES TO THE LEFT ACROSS THE BOTTOM AND INCREASES TO THE RIGHT ACROSS THE TOP.
 2. THERE IS NOT A 1:1 CORRESPONDENCE BETWEEN THE CIRCUIT NUMBER AND THE TAIL HOLE LOCATIONS. EACH GROUND HAS TWO CONTACTS AND THREE TAILS. THE BOXES AROUND THE THREE VERTICAL HOLES INDICATE THE UPPER AND LOWER GROUND CONTACTS SHARE THE THREE TAIL HOLE LOCATIONS.

SYMBOLS	THIS DRAWING CONTAINS INFORMATION THAT IS PROPRIETARY TO MOLEX ELECTRONIC TECHNOLOGIES, LLC AND SHOULD NOT BE USED WITHOUT WRITTEN PERMISSION		CURRENT REV DESC: MIGRATED TO NX		
	DIMENSION UNITS	SCALE			
= 0	mm	NTS			EC NO: 611387 DRWN: BARWANKAR 2019/01/31 CHK'D: VMANICKAM 2019/02/01 APPR: SHLENI 2019/02/13
= 0	GENERAL TOLERANCES (UNLESS SPECIFIED)				
= 0	ANGULAR TOL ± 0.5°				INITIAL REVISION: DRWN: HAVERY 2008/07/14 APPR: MBANAKIS 2008/07/22
= 0	4 PLACES ±				
= 0	3 PLACES ±				PRODUCT CUSTOMER DRAWING DOCUMENT NUMBER: SD-76291-001 DOC TYPE: PSD DOC PART: 001 REVISION: T
= 0	2 PLACES ± 0.13				
= 0	1 PLACE ± 0.25				MATERIAL NUMBER: SEE CHART CUSTOMER: GENERAL MARKET SHEET NUMBER: 3 OF 3
= 0	0 PLACES ±				
= 0	DRAFT WHERE APPLICABLE MUST REMAIN WITHIN DIMENSIONS		THIRD ANGLE PROJECTION	DRAWING	SERIES
= 0				D-SIZE	76291



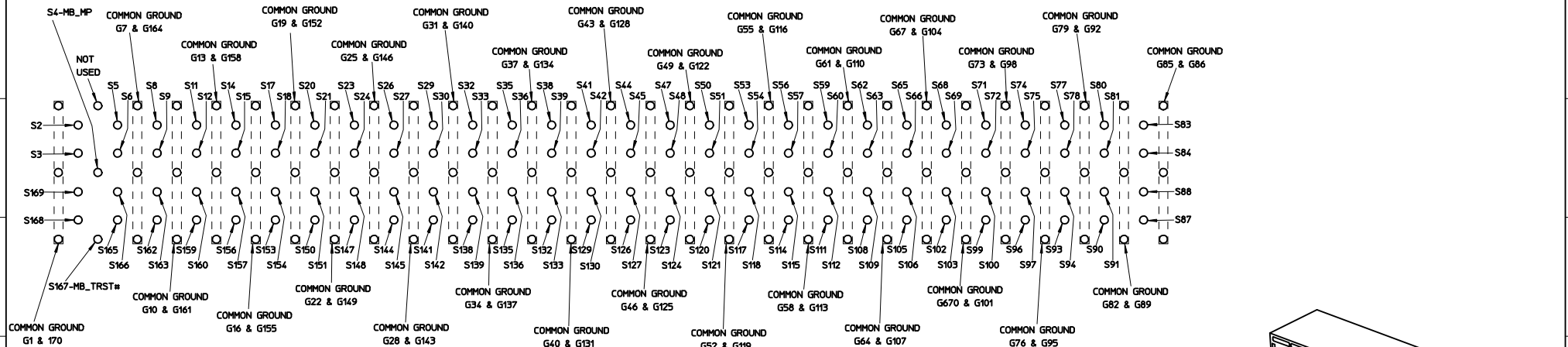
NOTES

1. MATERIAL
CONNECTOR HOUSING: GLASS FILLED LCP, 94 V-0, COLOR: BLACK
OVERMOLDING ON TERMINALS: GLASS FILLED LCP, COLOR: BLACK
TERMINALS: COPPER ALLOY, SPRING TEMPER
2. TERMINAL FINISH:
CONTACT AREA: 0.75µm MIN. HARD GOLD
OVER 1.25µm MIN NICKEL
COMPLIANT AREA: 0.75-1.50 µm TIN
OVER 1.25µm MIN. NICKEL
3. REFER TO PS-76043-001 PRODUCT SPEC FOR ALL ELECTRICAL, MECHANICAL, AND ENVIROMENTAL SPECIFICATIONS.
4. REFER TO PK-76291-001 FOR ALL PACKAGING SPECIFICATIONS.
5. REFER TO AS-76043-001 FOR BOARD APPLICATION INFORMATION.
6. DATE CODE AND PART NUMBER TO BE LASER ETCHED. INFO TO INCLUDE PART NUMBER, MANUFACTURING FACILITY AND DATE CODE IN THE FORMAT WEEK AND LAST TWO DIGITS OF THE YEAR, WWYY.
7. PART IS ELV AND RoHS COMPLIANT.



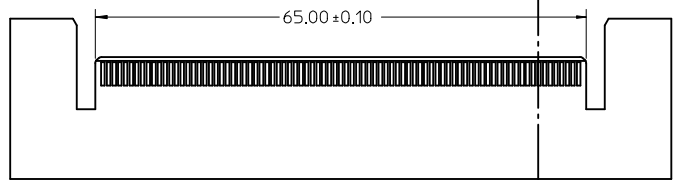
SECTION Y-Y

CORRECTED PN ON PG 2 EC NO: UCP2009-2786 DRW:KREINER 2009/05/18 CHKD: 2009/05/19 APPR:MBANAKIS 2009/05/19	QUALITY SYMBOLS ▽=0 ▽=0	GENERAL TOLERANCES (UNLESS SPECIFIED)		DIMENSION STYLE MM ONLY	SCALE 2:1	DESIGN UNITS METRIC	THIRD ANGLE PROJECTION		
				DRAWN BY _____ DATE _____	TITLE 170 CKT HS COPLANAR ADVANCED MC COMPATIBLE W/ SINGULATED GROUND				
				CHECKED BY _____ DATE _____	MATERIAL NO. 76291-0171				
				APPROVED BY _____ DATE _____	DOCUMENT NO. SD-76291-171				SHEET NO. 1 OF 2
		ANGULAR ±1/2°		DRAFT WHERE APPLICABLE MUST REMAIN WITHIN DIMENSIONS				MOLEX INCORPORATED THIS DRAWING CONTAINS INFORMATION THAT IS PROPRIETARY TO MOLEX INCORPORATED AND SHOULD NOT BE USED WITHOUT WRITTEN PERMISSION	



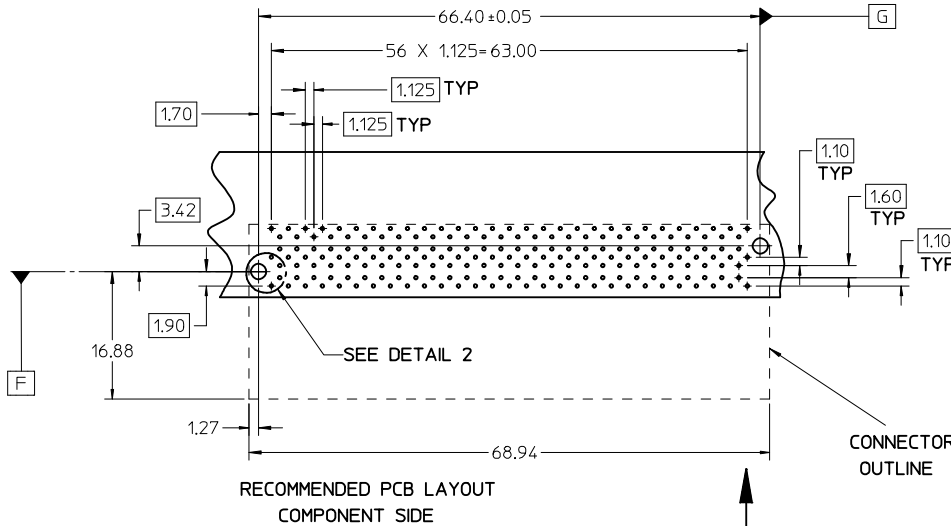
CONNECTOR PINOUT

PAD LOCATIONS AND COMPOSITIONS TO CONFORM TO CURRENT ADVANCED MC SPECIFICATION



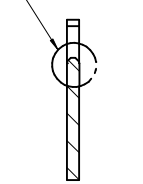
MODULE CARD

MODULE INSERTION DIRECTION

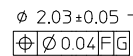


MODULE INSERTION DIRECTION

SEE DETAIL 1

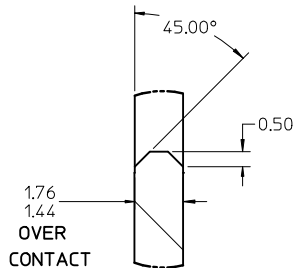


SECTION Z-Z SCALE 2:1



DETAIL 2 SCALE 6:1

$\phi 0.51$ TYP
 $\phi 0.41$
 $\phi 0.05$ F/G
FINISHED PLATED THRU HOLE SIZE
.57mm DRILLED HOLE
0.0254-.0635 ELECTRO DEPOSITED COPPER



DETAIL 1 SCALE 8:1

SEE PAGE 1 EC NO: UCP2009-2786 DRAWN: REGNIER 2009/05/18 CHKD: 2009/05/19 APPR: MBANAKIS 2009/05/19	QUALITY SYMBOLS ▽=0 ▽=0	GENERAL TOLERANCES (UNLESS SPECIFIED)		DIMENSION STYLE MM ONLY	SCALE 1:1	DESIGN UNITS METRIC	THIRD ANGLE PROJECTION
		4 PLACES ± --- ± --- 3 PLACES ± --- ± .005 2 PLACES ± 0.13 ± .010 1 PLACE ± 0.25 ± --- ANGULAR ± 1/2°	mm INCH	DRAWN BY DATE CHECKED BY DATE APPROVED BY DATE	TITLE 170 CKT HS COPLANAR ADVANCED MC COMPATIBLE W/ SINGULATED GROUND	MATERIAL NO. 76291-0171	DOCUMENT NO. SD-76291-171
DRAFT WHERE APPLICABLE MUST REMAIN WITHIN DIMENSIONS		THIS DRAWING CONTAINS INFORMATION THAT IS PROPRIETARY TO MOLEX INCORPORATED AND SHOULD NOT BE USED WITHOUT WRITTEN PERMISSION					