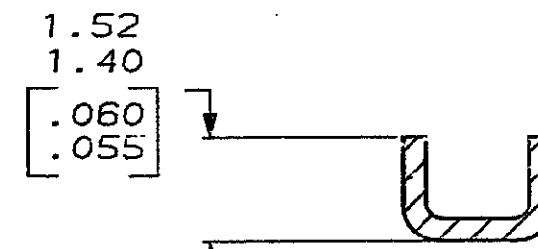
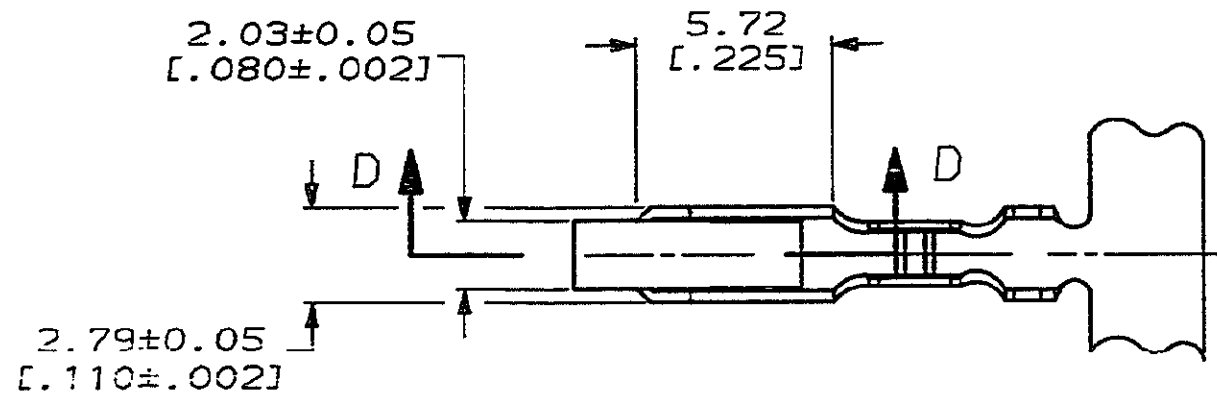
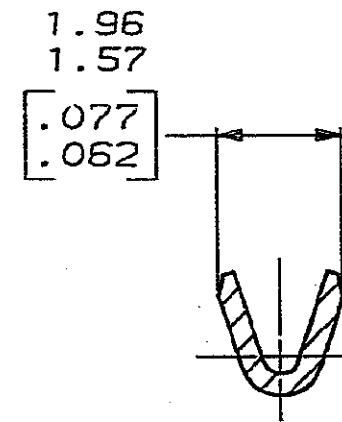
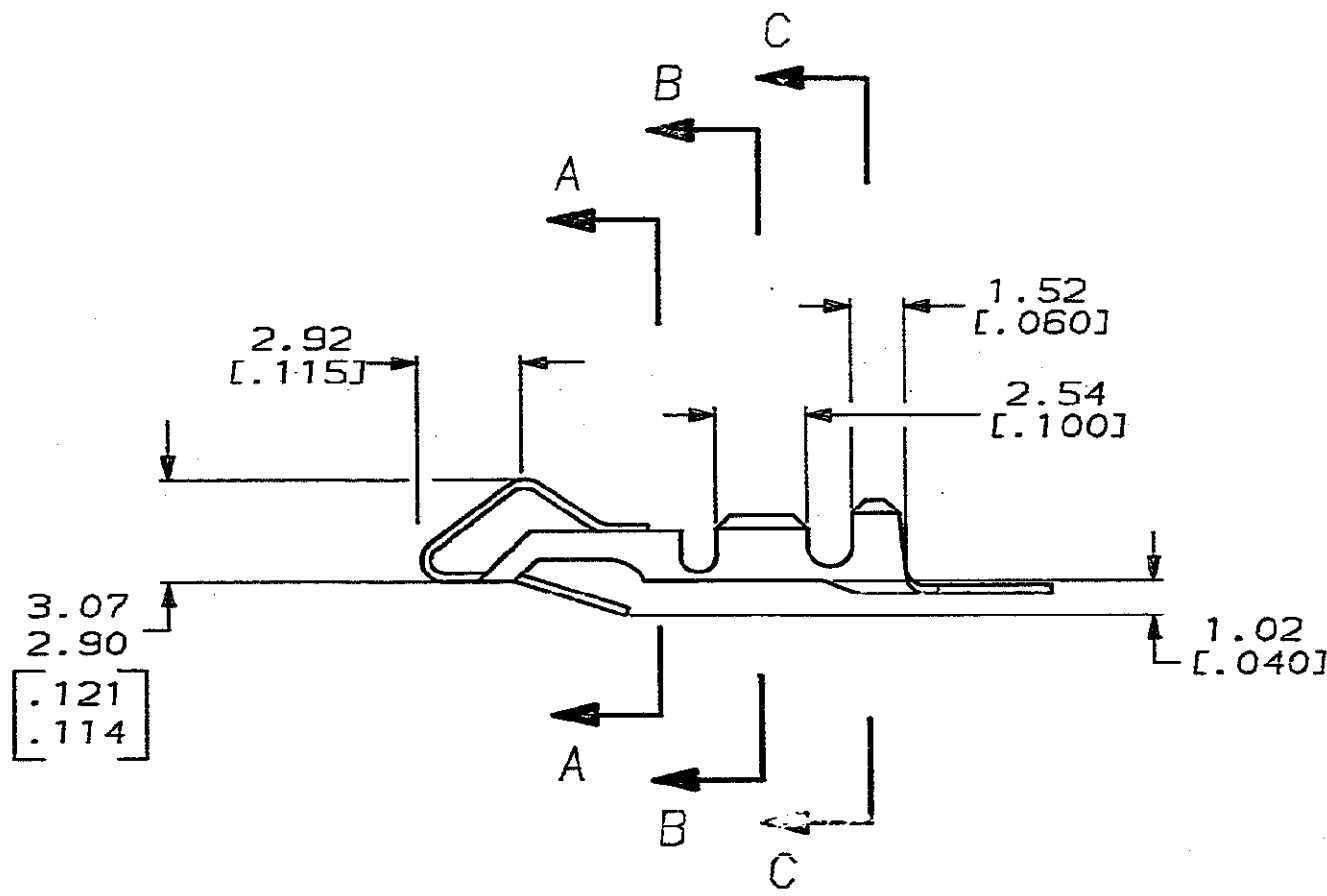


LOC	DIST	ZONE	LTR	DESCRIPTION	DATE	APPD
CM	54		F	REV & REDRAWN PER ECN CM-11	11-5-92	KS

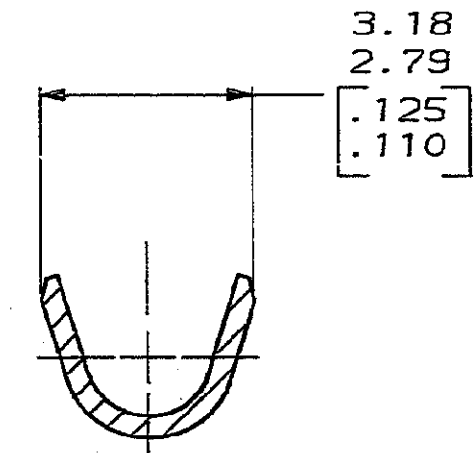
- 1. Δ 0.00330 [.000130] MAX PRE-TIN.
- 2. WIRE RANGE: 0.05-0.2mm² (30-24 AWG).
INSULATION RANGE: 1.02-1.45 [.040-.057] DIA.
- 3. DIMENSIONS IN BRACKETS ARE IN INCHES.



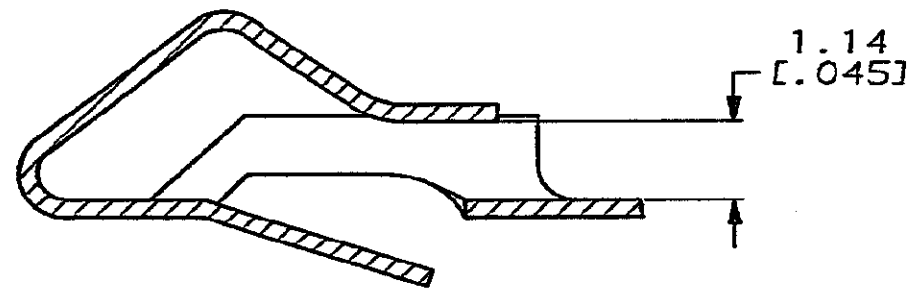
SECTION A-A
SCALE 10:1



SECTION B-B
SCALE 10:1



SECTION C-C
SCALE 10:1



SECTION D-D
SCALE 10:1

METRIC

THIS DRAWING IS A CONTROLLED DOCUMENT FOR AMP INCORPORATED. IT IS SUBJECT TO CHANGE AND THE CONTROLLING ENGINEERING ORGANIZATION SHOULD BE CONTACTED FOR THE LATEST REVISION.

DO NOT SCALE PRINT. UNLESS SPECIFIED DIMENSIONS IN mm [INCHES] TOLERANCES ON: 2 PLC DEC ± 0.13 [.005] 3 PLC DEC ± - ANGLES ± -		DR 11-2-92 <i>KS</i> K. SALMON		AMP AMP Incorporated Harrisburg, PA 17105-3608	
MATERIAL 0.33 [.013] BRASS		CHK 11-2-92 <i>RS</i> R. SWING		NAME RECEPTACLE, SL-156	
FINISH SEE TABLE		APPD 11-20-92 <i>EB</i> E. BEILES		SIZE C	CAGE CODE 00779
		APPD -		DRAWING NO C-641550	SHEET 1 OF 1
		PRODUCT SPEC -		SCALE 5:1	
		APPLICATION SPEC -		CUSTOMER DRAWING	
		WEIGHT -			

Δ 641550-1
FINISH PART NO