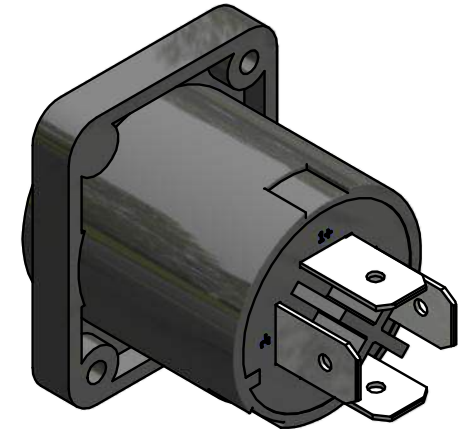
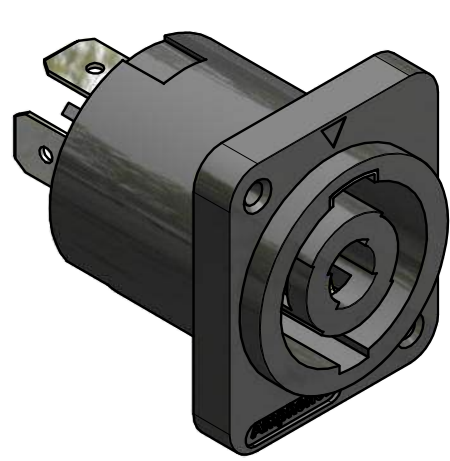
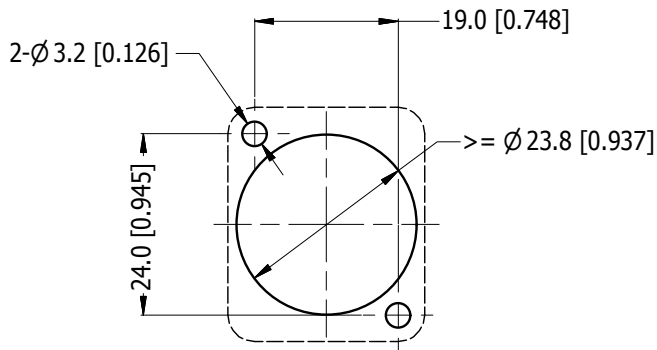
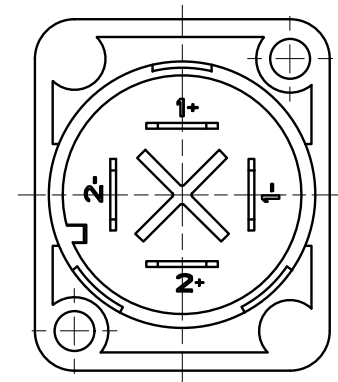
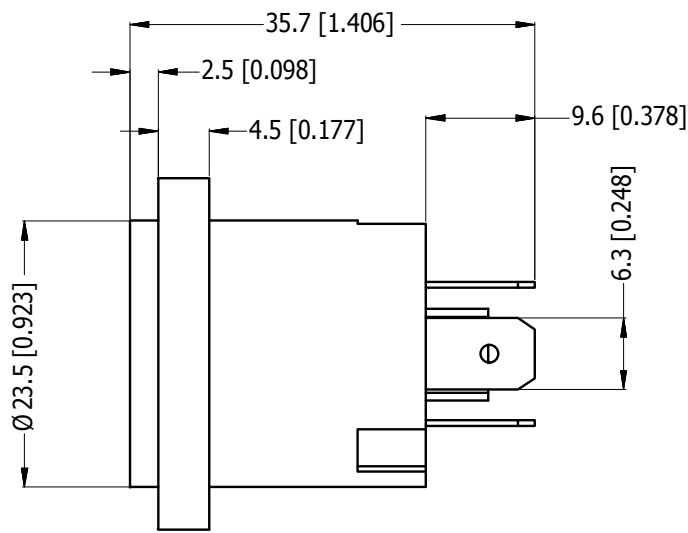
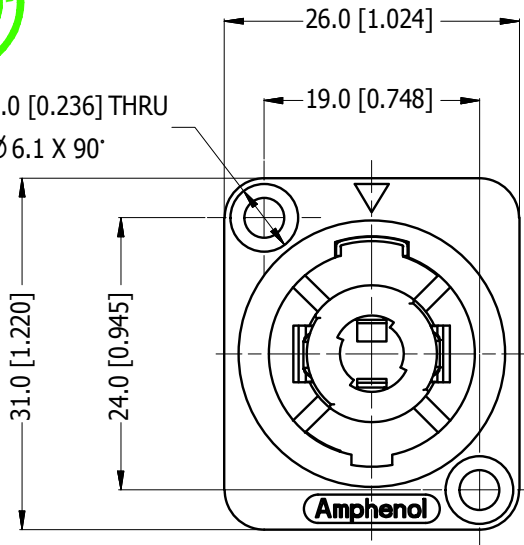


LEGEND  = KEY PRODUCT CHARACTERISTICS



REVISION HISTORY				
REV	DESCRIPTION	BY	DATE	ECN
0	FIRST ISSUE	MH	29/02/16	---



PANEL CUTOUT (1:1)

UNLESS OTHERWISE SPECIFIED TOLERANCE TO BE		THIS DOCUMENT IS THE PROPERTY OF AMPHENOL AUSTRALIA PTY. LTD. NO PART THEREOF MAY BE REPRODUCED AND USED WITHOUT THE PRIOR WRITTEN CONSENT OF THE OWNER				Amphenol Amphenol Australia Pty.Ltd, 22 Industry Blvd, Carrum Downs, VIC 3201	
LINEAR	ANGULAR	MATERIAL:	DRN:	DATE:	TITLE:	PART No.	
X ± 0.5	X° ± 1	REFER TO COMPONENTS	MH	29/02/16	SP SERIES CONNECTOR LOUDSPEAKER 4 POLE	SP-4-MDQ	
X.X ± 0.1	X.X° ± 30°	BREAK ALL SHARP EDGES AND REMOVE ALL BURRS	MH	29/02/16		DRAWING No.	SHEET
X.XX ± 0.05	X.XX° ± 15°	DO NOT SCALE	PM	29/02/16	55011133-000-2		
DIMENSIONS IN MILLIMETRES		FINISH: BLACK	APP'D:	DATE:	CAD FILE	55011133000210	2/2
		THIRD ANGLE PROJECTION	SCALE: 3:2	SIZE: A4			