

Type 1/2 surge protection device - POWERSET BC/3/FM - 2858108

Please be informed that the data shown in this PDF Document is generated from our Online Catalog. Please find the complete data in the user's documentation. Our General Terms of Use for Downloads are valid (<http://download.phoenixcontact.com>)

AEC arrester combination, consisting of 3 x FLT 35 CTRL 0.9 and 3 x VAL-MS 230/FM incl. bridges and labeling



Key commercial data

Packing unit	1 PCE
Weight per Piece (excluding packing)	952.2 GRM
Custom tariff number	85363030
Country of origin	Germany

Technical data

Dimensions

Height	112.4 mm
Width	106.2 mm
Depth	65.5 mm
Pitch unit	6 Div.

Ambient conditions

Degree of protection	IP20
----------------------	------

General

Housing material	PA
Color	black
Mounting type	DIN rail: 35 mm
Design	DIN rail module, two-section, divisible
Surge protection fault message	Optical (Type 2 arrester), remote indication contact (Type 2 arrester)
Direction of action	3L-N/PE

Protective circuit

Type 1/2 surge protection device - POWERSET BC/3/FM - 2858108

Technical data

Protective circuit

IEC test classification	I + II
EN type	T1 + T2
Nominal voltage U_N	230 V AC
Maximum continuous operating voltage U_C (L-PE)	260 V AC
Impulse discharge current (10/350) μ s, charge	50 As
Impulse discharge current (10/350) μ s, peak value I_{imp}	100 kA
Voltage protection level U_P (L-N)	≤ 0.9 kV
Voltage protection level U_P (L-PE)	≤ 0.9 kV
Max. required backup fuse with branch wiring	125 A (gL)
Short-circuit current self-quenching	3 kA (260 V)

Connection, protective circuit

Connection type IN	Biconnect screw terminal block
Connection type OUT	Biconnect screw terminal block
Conductor cross section stranded min.	0.5 mm ²
Conductor cross section stranded max.	25 mm ²
Conductor cross section solid min.	0.5 mm ²
Conductor cross section solid max.	35 mm ²
Conductor cross section AWG/kcmil min.	20
Conductor cross section AWG/kcmil max	2

Remote indicator contact

Connection name	Remote fault indicator contact
Switching function	PDT contact
Conductor cross section stranded min.	0.14 mm ²
Conductor cross section stranded max.	1.5 mm ²
Conductor cross section solid min.	0.14 mm ²
Conductor cross section solid max.	1.5 mm ²
Conductor cross section AWG/kcmil min.	28
Conductor cross section AWG/kcmil max	16

Classifications

eCl@ss

eCl@ss 4.0	27140201
eCl@ss 4.1	27140201
eCl@ss 5.0	27140201
eCl@ss 5.1	27140201

Type 1/2 surge protection device - POWERSET BC/3/FM - 2858108

Classifications

eCl@ss

eCl@ss 6.0	27140201
eCl@ss 7.0	27140201

ETIM

ETIM 2.0	EC001457
ETIM 3.0	EC001457
ETIM 4.0	EC001457
ETIM 5.0	EC001457

UNSPSC

UNSPSC 6.01	30212010
UNSPSC 7.0901	39121610
UNSPSC 11	39121610
UNSPSC 12.01	39121610
UNSPSC 13.2	39121620

Approvals

Approvals

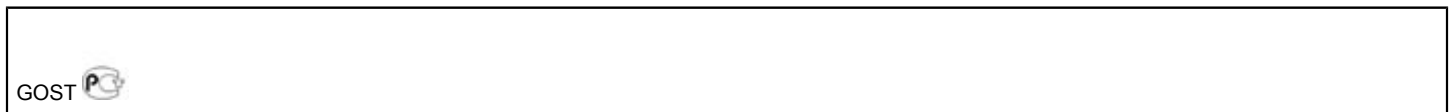
Approvals

GOST

Ex Approvals

Approvals submitted

Approval details



Accessories

Accessories

End block

Type 1/2 surge protection device - POWERSET BC/3/FM - 2858108

Accessories

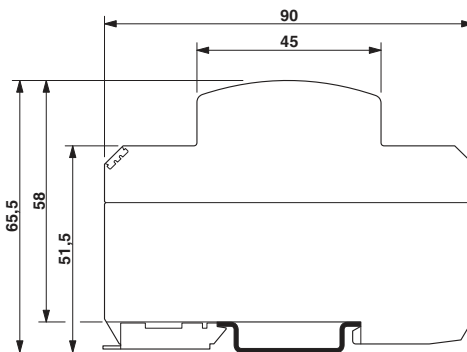
End clamp - CLIPFIX 35 - 3022218



Quick mounting end clamp for NS 35/7,5 DIN rail or NS 35/15 DIN rail, with marking option, width: 9.5 mm, color: gray

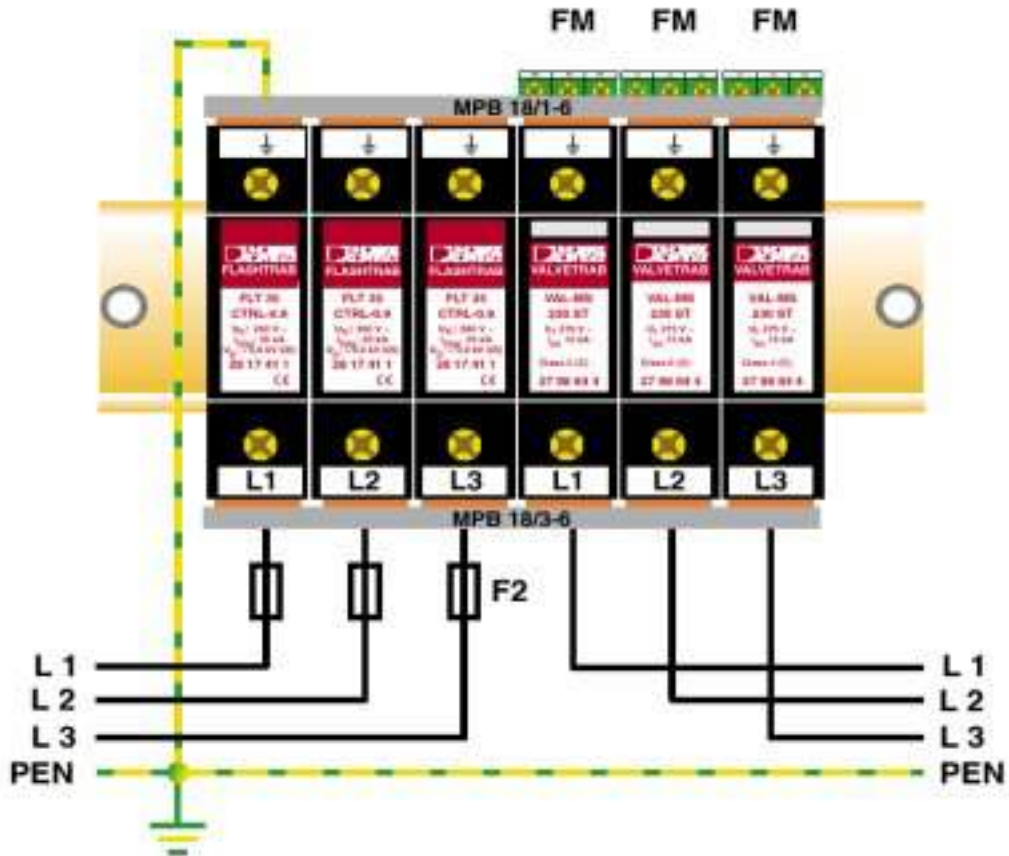
Drawings

Dimensioned drawing



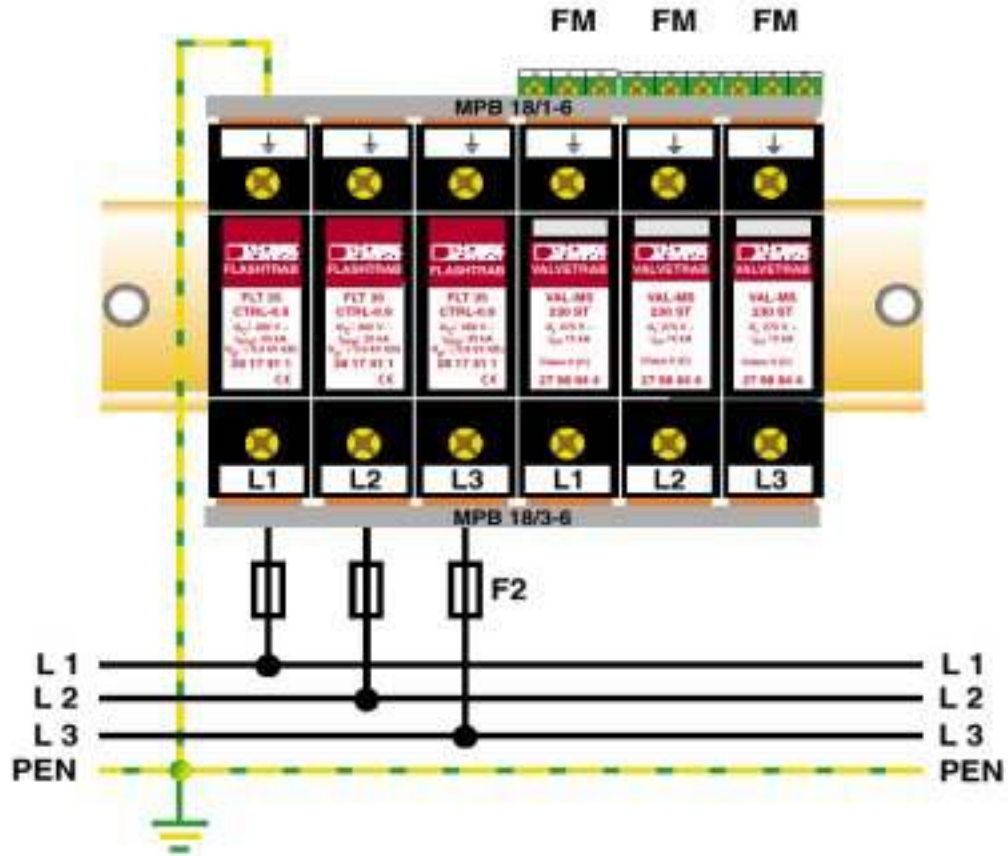
Type 1/2 surge protection device - POWERSET BC/3/FM - 2858108

Application drawing



Type 1/2 surge protection device - POWERSET BC/3/FM - 2858108

Application drawing



Type 1/2 surge protection device - POWERSET BC/3/FM - 2858108

Circuit diagram

