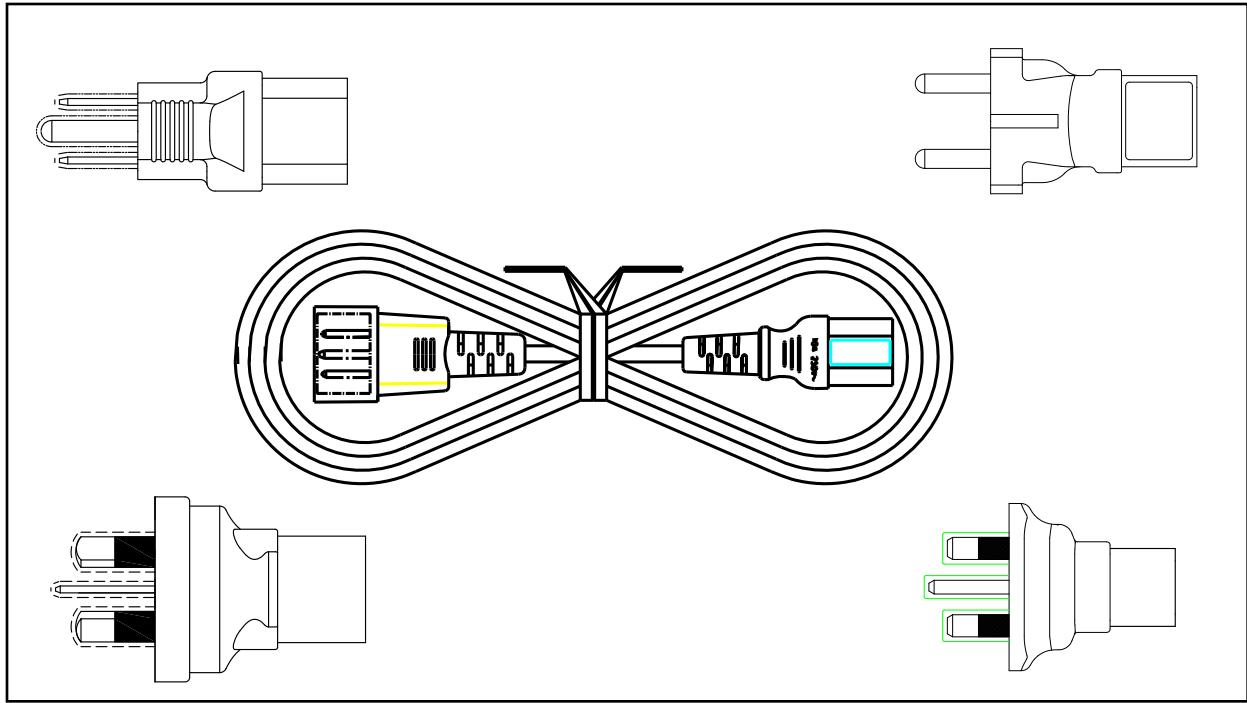



**PROPRIETARY INFORMATION:**  
 PROPRIETARY OF GLOBTEK, INC. ANY REPRODUCTION, DISCLOSURE OR USE OF THIS DRAWING, IN WHOLE OR IN PART, IS HEREBY PROHIBITED EXCEPT AS SPECIFIED IN WRITING BY GLOBTEK, INC.

REVISION			
REV	DESCRIPTION	DATE	APPROVED
A	INITIAL RELEASE, RFS. 27038	03/20/18	DR
B	UPDATE EURO APPROVALS TO ENEC-VDE, RFS. 27349, BS	05/24/19	DR
C	ADD ACCESSORY INPUT PLUG ADAPTORS FOR VARIOUS COUNTIES, RFS. 27589, DR	12/28/20	DR
D	ADD DISCRPTION TO ADAPTORS FOR VARIOUS COUNTIES, RFS. 27617, DR	03/09/21	DR
E	ADD P/N 602-701(R) TO ADAPTORS FOR VARIOUS COUNTIES, RFS. 27656, DR	08/13/21	DR
F	UPDATE TABLE FOR VARIOUS COUNTRIES, RFS. 27681, DR	10/28/21	DR
F1	Update adaptor 701-302S(R) from 10A to 15A, RFS. 27696	01/20/22	MK
G	Add PSE mark and change wire to SJT 18X3C & HVCTF 1.0X3C, RFS. 27747	10/27/22	MK



**TR9CI2500LCPMEDKIT(R KIT INCLUDING:**

1. 1 PC CORDSET P/N: 7055002M0701(R)
2. 1 PC ADAPTOR: 701-302S(R)
3. 1 PC ADAPTOR: 701-2314S(R)
4. 1 PC ADAPTOR: 701-550S(R)
5. 1 PC ADAPTOR: 701-610S(R)
6. 1 PC ZIP POLY BAG

DASH NO.	PART NO	REV.	DESCRIPTION	NOTES
<b>TABULATION BLOCK</b>				
		<b>TOLERANCES:</b> DECIMALS    ANGULAR .xx +/- 0.1    +/- 1° .xxx +/- .005		 <b>GlobTek, Inc.</b> www.globtek.com 186 Veterans Dr. Northvale, NJ 07647 Tel. 201-784-1000 Fax 201.784.0111
		MILLIMETERS    ANGULAR .xx +/- 0.3    +/- 1° .xxx +/- .013		
INIT.BY: DR	DATE: 03/20/18	FSCN No.: G, CC	SIZE A	<b>DWG TITLE:</b> INTERNATIONAL JUMPER CORDSET P/N: 7055002M001(R) WITH 4 PC SET ADAPTOR:701-302S(R), 701-2314S(R), 701-550S(R), 701-610S(R)
DRAWN: NF	DATE: 03/20/18			
APRVD: DR	DATE: 03/20/18	SCALE: NONE	PART NO: <b>705-701-KIT(R)</b>	SHEET 1/7

Foot Note:  
 Globtek Inc. will not be liable for the safety and performance of these power product if unauthorized access and repair occurs. End user should consult the applicable UL, CSA or EN Standards for proper installation instruction.

Limitation of Use:  
 Globtek product are not authorized for use as mission critical components in life support hazardous environment, nuclear or aircraft applications without prior written approval from the CEO of Globtek Inc.

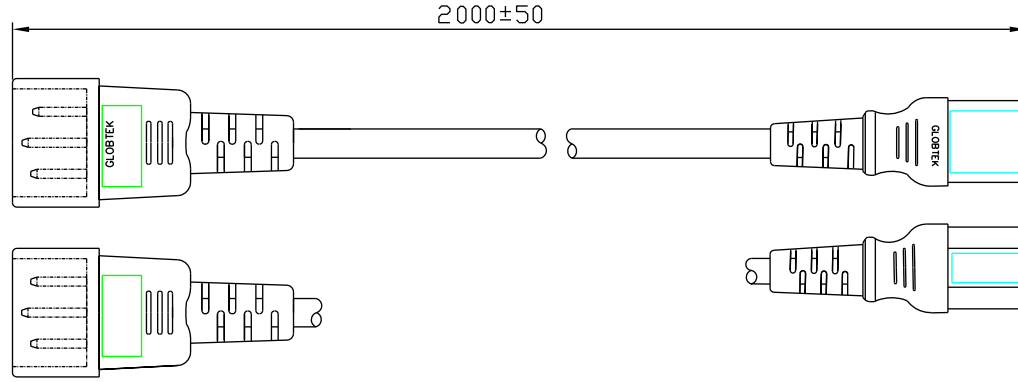
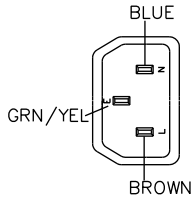
Contents of this document are subject to change without prior notice

**PROPRIETARY INFORMATION:**

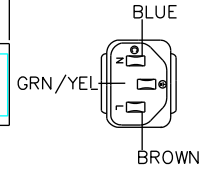
PROPRIETARY OF GLOBTEK, INC. ANY REPRODUCTION, DISCLOSURE OR USE OF THIS DRAWING, IN WHOLE OR IN PART, IS HEREBY PROHIBITED EXCEPT AS SPECIFIED IN WRITING BY GLOBTEK, INC.

**CORDSET P/N: 7055002M0701(R)**

**A**



**B**

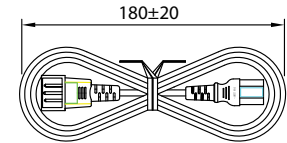


**GENERAL SPECIFICATIONS:**

- RATING: 10A / 250V AC
- CABLE TYPE / SIZE: SJT AWG 18X3 / HVCTF 3X1.0 mm<sup>2</sup>
- TEMPERATURE RATING: 60° C
- CONDUCTOR COLORS: BLUE / BROWN / GREEN-YELLOW
- CABLE JACKET COLOR: BLACK
- OVERALL LENGTH (L):  $2000 \pm 50$  mm
- CABLE OUTER DIAMETER:  $8.3 \pm 0.2$  mm
- END 'A' PLUG; IEC 320 / C14
- END 'B' IEC 320 / C13
- APPROVALS PLUG: UL, CSA or cUL, ENEC-VDE, SAA (FILE #)
- APPROVALS CABLE: UL, CSA or cUL, VDE, N, S, D, FI, KEMA, SAA, SEV, CEBEC, OVE, IMQ
- APPROVALS CONNECTOR: UL, CSA or cUL, ENEC-VDE, SAA (FILE #)

**PACKING:**

HANKED



**NOTES:**

1. PLUG AND CONNECTOR MUST BE MARKED WITH APPROVAL SYMBOLS OR FILE NUMBER(S).



2. CABLE IS 3C/18 AWG/SJT AND 3C/1mm<sup>2</sup>/HVCTF DUAL APPROVED FOR US AND EUROPE.

**GlobTek, Inc.**  
www.globtek.com

186 Veterans Dr. Northvale, NJ 07647  
Tel. 201-784-1000 Fax 201.784.0111

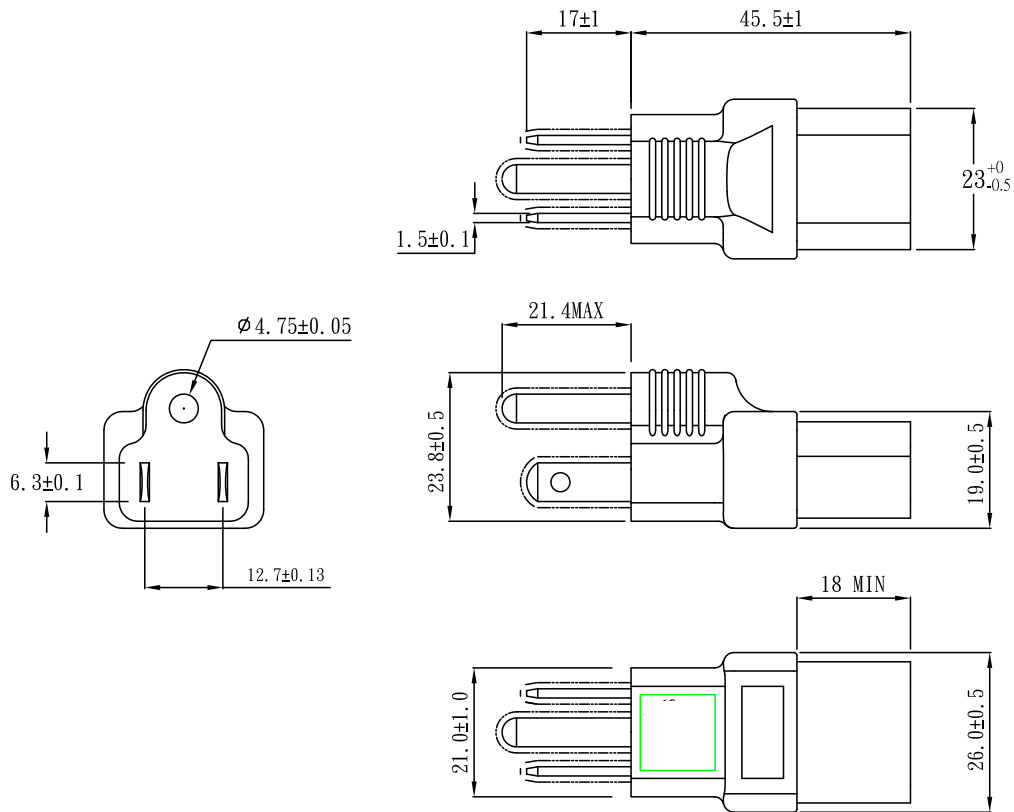
**DWG TITLE:** INTERNATIONAL JUMPER CORDSET P/N: 7055002M001(R)  
WITH 4 PC SET ADAPTOR: 701-302S(R), 701-2314S(R), 701-550S(R), 701-610S(R)

	REV. G
--	-----------

PART NO: 705-701-KIT(R)	SHEET 2/7
-------------------------	-----------

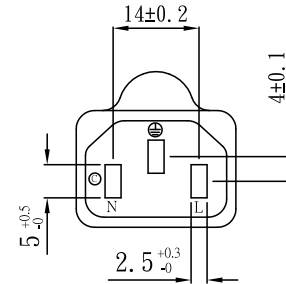
PROPRIETARY INFORMATION:  
 PROPRIETARY OF GLOBTEK, INC. ANY REPRODUCTION, DISCLOSURE OR  
 USE OF THIS DRAWING, IN WHOLE OR IN PART, IS HEREBY  
 PROHIBITED EXCEPT AS SPECIFIED IN WRITING BY GLOBTEK, INC.

## Adaptor NORTH AMERICA/JAPAN (TYPE B) NEMA 5-15P to IEC 320 C13: 701-302S(R)



Note:

1. Rating: 15A 125V
2. Insulation Resistance: 100MΩ
3. Dielectric Voltage: 2000V/sec



**INSTALLED ON 7055002M0701(R)**

**GlobTek, Inc.**  
 www.globtek.com

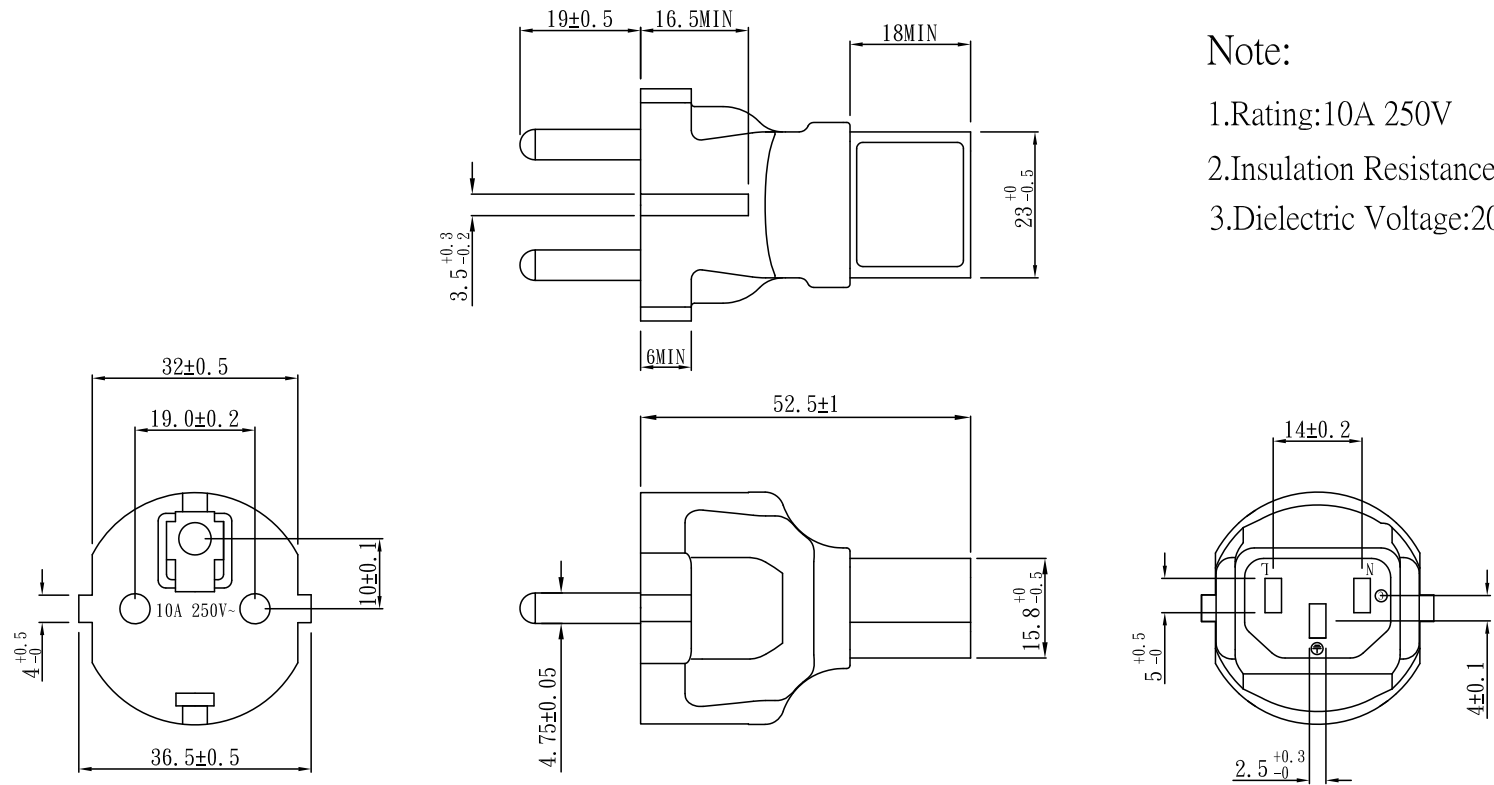
186 Veterans Dr. Northvale, NJ 07647  
 Tel. 201-784-1000 Fax 201.784.0111

DWG TITLE: INTERNATIONAL JUMPER CORDSET P/N: 7055002M001(R)  
 WITH 4 PC SET ADAPTOR: 701-302S(R), 701-2314S(R), 701-550S(R), 701-610S(R)

	REV. G
PART NO: 705-701-KIT(R)	SHEET 3/7

**PROPRIETARY INFORMATION:**  
 PROPRIETARY OF GLOBTEK, INC. ANY REPRODUCTION, DISCLOSURE OR  
 USE OF THIS DRAWING, IN WHOLE OR IN PART, IS HEREBY  
 PROHIBITED EXCEPT AS SPECIFIED IN WRITING BY GLOBTEK, INC.

### Adaptor EUROPEAN (TYPE E) SCHUKO to IEC 320 C13: 701-2314S(R)



Note:

1. Rating: 10A 250V
2. Insulation Resistance: 100MΩ
3. Dielectric Voltage: 2000V/sec

**GlobTek, Inc.**  
 www.globtek.com

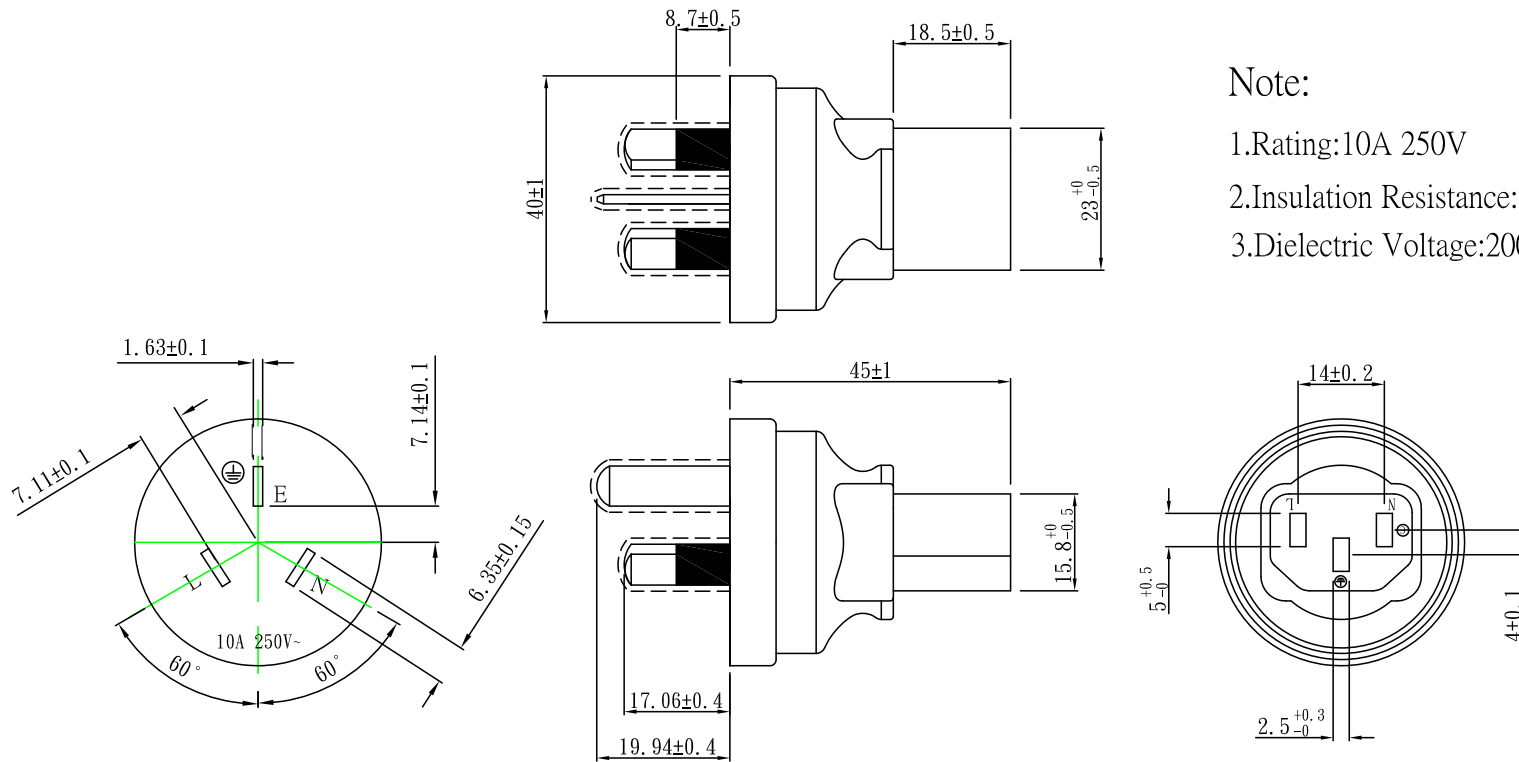
186 Veterans Dr. Northvale, NJ 07647  
 Tel. 201-784-1000 Fax 201.784.0111

DWG TITLE: INTERNATIONAL JUMPER CORDSET P/N: 7055002M001(R)  
 WITH 4 PC SET ADAPTOR: 701-302S(R), 701-2314S(R), 701-550S(R), 701-610S(R)

	REV. G
PART NO: 705-701-KIT(R)	SHEET 4/7

**PROPRIETARY INFORMATION:**  
 PROPRIETARY OF GLOBTEK, INC. ANY REPRODUCTION, DISCLOSURE OR  
 USE OF THIS DRAWING, IN WHOLE OR IN PART, IS HEREBY  
 PROHIBITED EXCEPT AS SPECIFIED IN WRITING BY GLOBTEK, INC.

### Adaptor AUSTRALIAN (TYPE I) 3 BLADES to IEC 320 C13: 701-550S(R)



Note:

1. Rating: 10A 250V
2. Insulation Resistance: 100MΩ
3. Dielectric Voltage: 2000V/sec

**GlobTek, Inc.**  
 www.globtek.com

186 Veterans Dr. Northvale, NJ 07647  
 Tel. 201-784-1000 Fax 201.784.0111

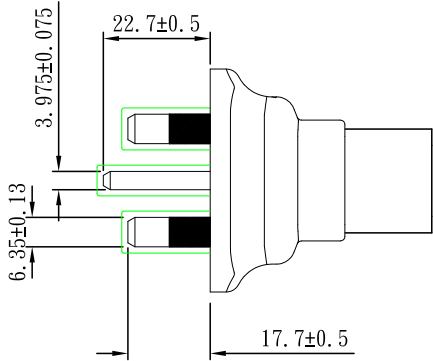
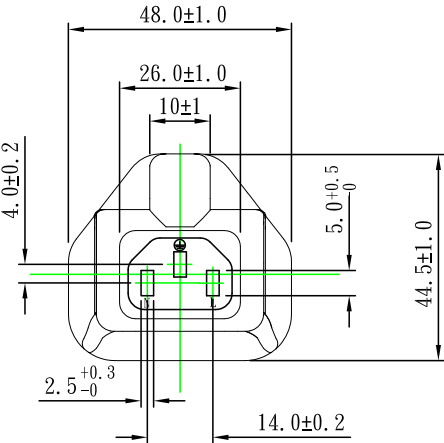
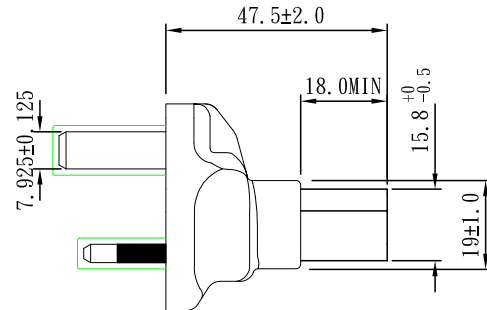
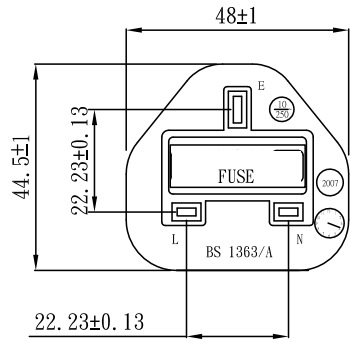
DWG TITLE: INTERNATIONAL JUMPER CORDSET P/N: 7055002M001(R)  
 WITH 4 PC SET ADAPTOR: 701-302S(R), 701-2314S(R), 701-550S(R), 701-610S(R)

	REV. G
--	-----------

PART NO: 705-701-KIT(R)	SHEET 5/7
-------------------------	-----------

PROPRIETARY INFORMATION:  
 PROPRIETARY OF GLOBTEK, INC. ANY REPRODUCTION, DISCLOSURE OR  
 USE OF THIS DRAWING, IN WHOLE OR IN PART, IS HEREBY  
 PROHIBITED EXCEPT AS SPECIFIED IN WRITING BY GLOBTEK, INC.

### Adaptor UK PLUG (TYPE G) to IEC 320 C13: 701-610S(R)



Note:

1. Rating: 10A 250V~
2. Insulation Resistance: 5MΩ
3. Dielectric Voltage: 3000V/sec

**GlobTek, Inc.**  
 www.globtek.com

186 Veterans Dr. Northvale, NJ 07647  
 Tel. 201-784-1000 Fax 201.784.0111

DWG TITLE: INTERNATIONAL JUMPER CORDSET P/N: 7055002M001(R)  
 WITH 4 PC SET ADAPTOR: 701-302S(R), 701-2314S(R), 701-550S(R), 701-610S(R)

PART NO: 705-701-KIT(R)


REV.  
 G

SHEET 6/7

PROPRIETARY INFORMATION:  
 PROPRIETARY OF GLOBTEK, INC. ANY REPRODUCTION, DISCLOSURE OR  
 USE OF THIS DRAWING, IN WHOLE OR IN PART, IS HEREBY  
 PROHIBITED EXCEPT AS SPECIFIED IN WRITING BY GLOBTEK, INC.

Accessory input plug adaptors for various countries:

Accessory input plug adapters for various countries:		
Part #	Description	Included in this item
<a href="#">302-701(R)</a>	NORTH AMER. PLUG ADAPTER, N5-15P (Type B) TO IEC60320/C13	X
<a href="#">302R-701R(R)</a>	NORTH AMERICAN PLUG ADAPTER, ANGLED, NEMA 5-15P (TYPE B) TO IEC60320 C13	Order Separately
<a href="#">2314-701(R)</a>	EURO PLUG ADAPTER CEE7/7 (Type E) TO IEC60320/C13	X
<a href="#">2314R-701R(R)</a>	EUROPEAN PLUG ADAPTER, ANGLED, CEE 7/7 (TYPE F) TO IEC60320 C13	Order Separately
<a href="#">550-701(R)</a>	AUSTRALIA PLUG ADAPTER AS/NZ 3112 (Type I) TO IEC60320/C13	X
550R-701(R)	AUSTRALIA PLUG, ANGLED, ADAPTER AS/NZ 3112 (Type I) TO IEC60320/C13	Order Separately
<a href="#">2302-701(R)</a>	Plug Adapter, CEI 23-16 (Italy)(TYPE L) Plug to IEC 60320 C13 Connector	Order Separately
<a href="#">2321-701(R)</a>	Plug Adapter, Switzerland SEV1011 (TYPE J) Plug to IEC60320 C13 Connector	Order Separately
<a href="#">610-701(R)</a>	UK PLUG ADAPTER BS1363 (Type G) TO IEC60320/C13	X
610R-701(R)	UK PLUG ADAPTER. Angled, BS1363 (Type G) TO IEC60320/C13	Order Separately
<a href="#">208IN-701(R)</a>	India Type M IS 1293:2005 Three Prong India BIS Plug 10A Max to IEC 60320 C13 Plug	Order Separately
<a href="#">C13C17-SLEEVE-BLKR(R)</a>	INSERT SLEEVE, SPACER, FOR IEC 60320 C13 OR C17, BLACK, TO CREATE A TIGHT FIT	X
<a href="#">602-701(R)</a>	China Plug Adapter, Output 3 Prongs China (Type I). Type GR2099, input IEC60320/C13	Order Separately

 <b>GlobTek, Inc.</b> www.globtek.com	186 Veterans Dr. Northvale, NJ 07647 Tel. 201-784-1000 Fax 201.784.0111
	<b>DWG TITLE:</b> INTERNATIONAL JUMPER CORDSET P/N: 7055002M001(R) WITH 4 PC SET ADAPTOR:701-302S(R), 701-2314S(R), 701-550S(R), 701-610S(R)
	REV. G
PART NO: <b>705-701-KIT(R)</b>	SHEET 7/7