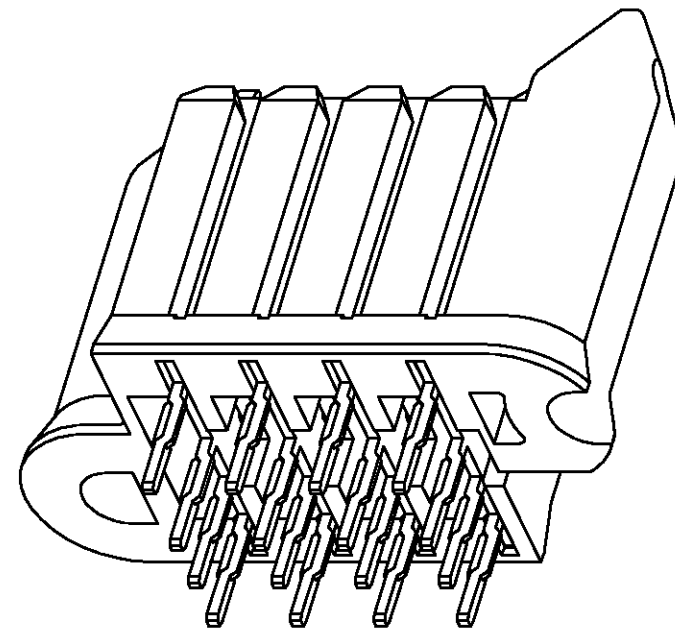
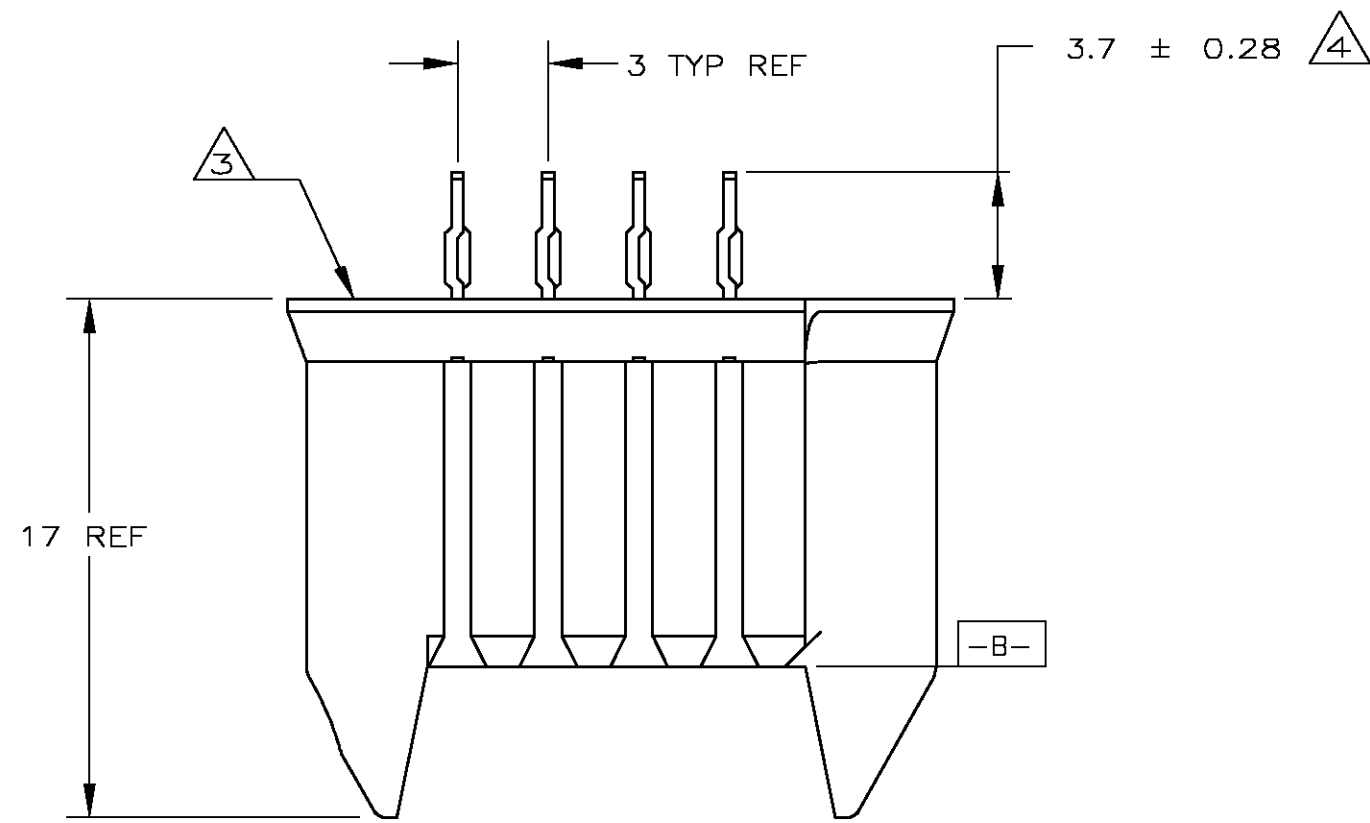
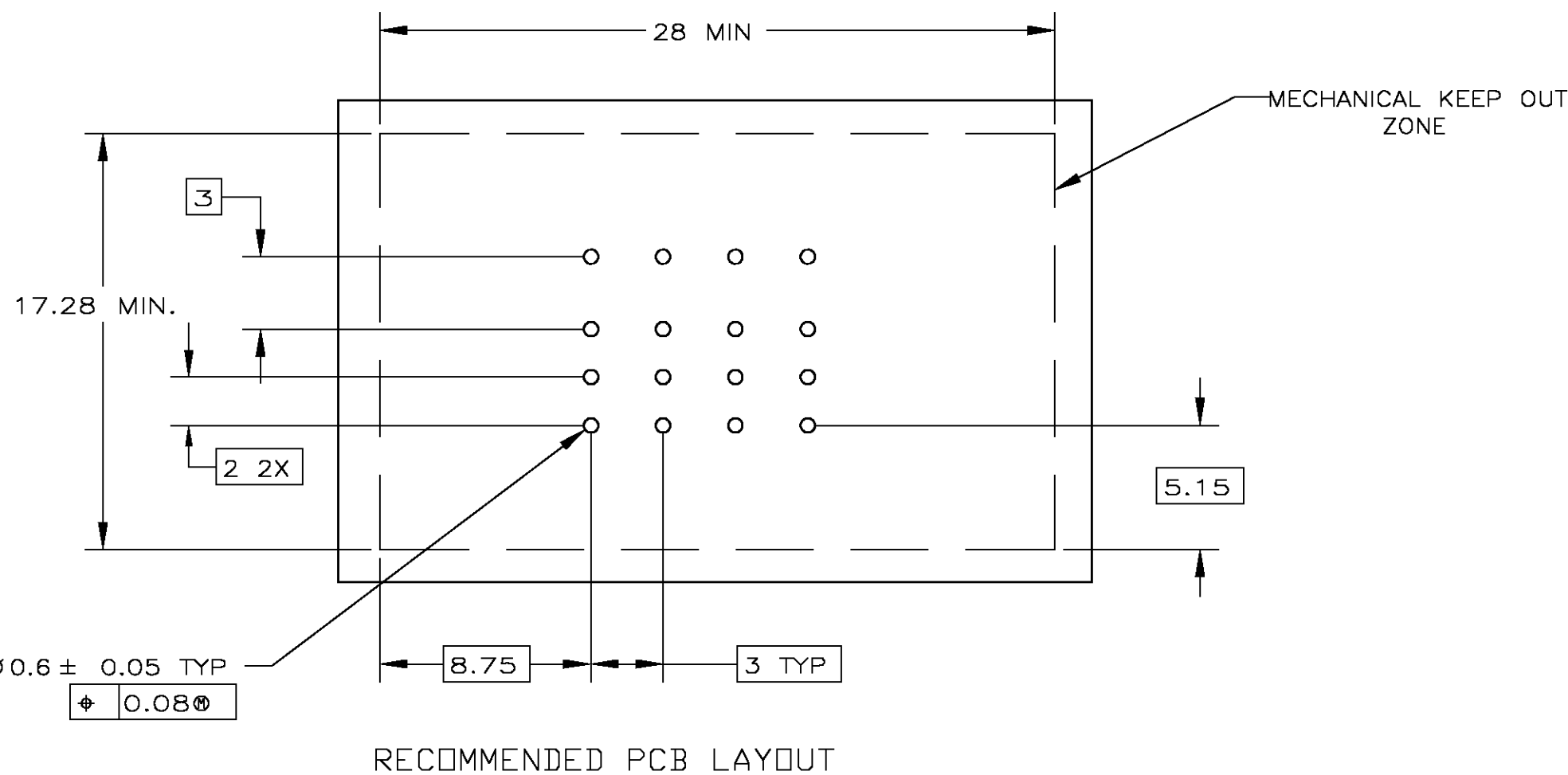
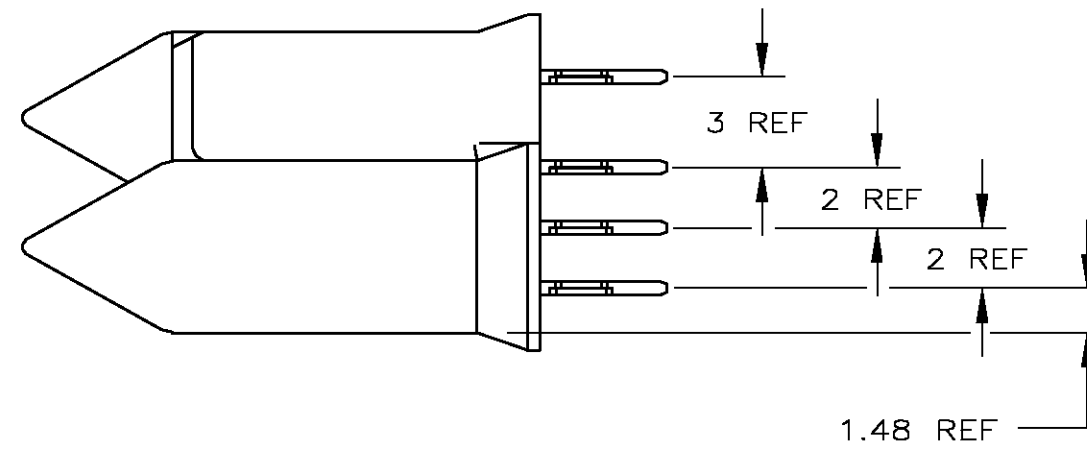
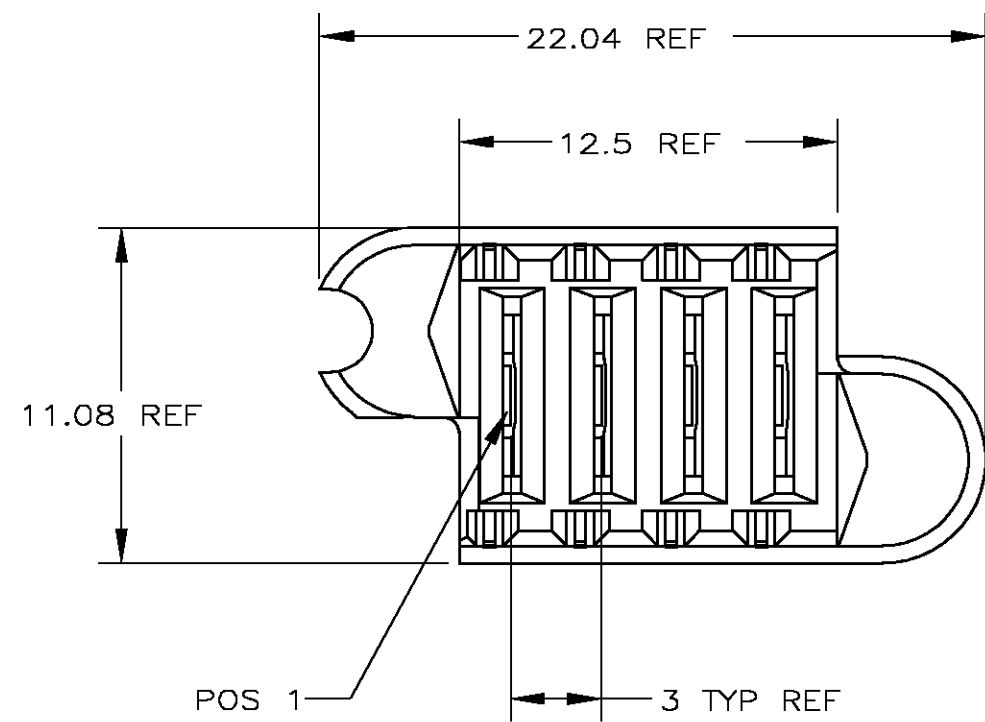


THIS DRAWING IS UNPUBLISHED. RELEASED FOR PUBLICATION
 © COPYRIGHT BY TYCO ELECTRONICS CORPORATION. ALL RIGHTS RESERVED.

LOC		DIST		REVISIONS			
GP	00	P	LTR	DESCRIPTION	DATE	DWN	APVD
		A		REV PER EC 0S12-0192-04	02AUG04	AF	SWB



- 1 MATERIAL: HOUSING - HIGH TEMP THERMO PLASTIC (UL 94 V-0), BLACK
CONTACT - COPPER ALLOY
- 2 CONTACT PLATING: 1.27 μm MIN Au OVER 1.27 μm Ni ON CONTACT AREA.
Sn OVER Ni ON TAILS
- 3 "AMP" TRADEMARK TO APPEAR ON THIS SURFACE.
- 4 DIMENSION APPLIES AFTER CONNECTOR IS APPLIED TO PCB.
- 5 THIS PRODUCT HAS NOT COMPLETED VALIDATION TESTING.



1489130

B

A

1489130-2
 PART NUMBER

THIS DRAWING IS A CONTROLLED DOCUMENT.		DWN	18MAY2002	Tyco Electronics Corporation MIDDLETOWN, PA 17057	
		AL FRANTUM	CHK		
DIMENSIONS: MM		TOLERANCES UNLESS OTHERWISE SPECIFIED:		NAME	
0 PLC ± - 1 PLC ± .25 2 PLC ± .13 3 PLC ± .05 4 PLC ± .025 ANGLES ± 2		PRODUCT SPEC 108-1998 APPLICATION SPEC 114-13067		MINI POWER DRAWER RECEPTACLE ASSEMBLY PRESS FIT	
MATERIAL		SIZE	CAGE CODE	DRAWING NO	RESTRICTED TO
1 2		A2	00779	C=1489130	-
CUSTOMER DRAWING		SCALE	1:1	SHEET	1 OF 1
				REV	A