

【1. 適用範囲 SCOPE】

本仕様書は、_____ 殿 に納入する

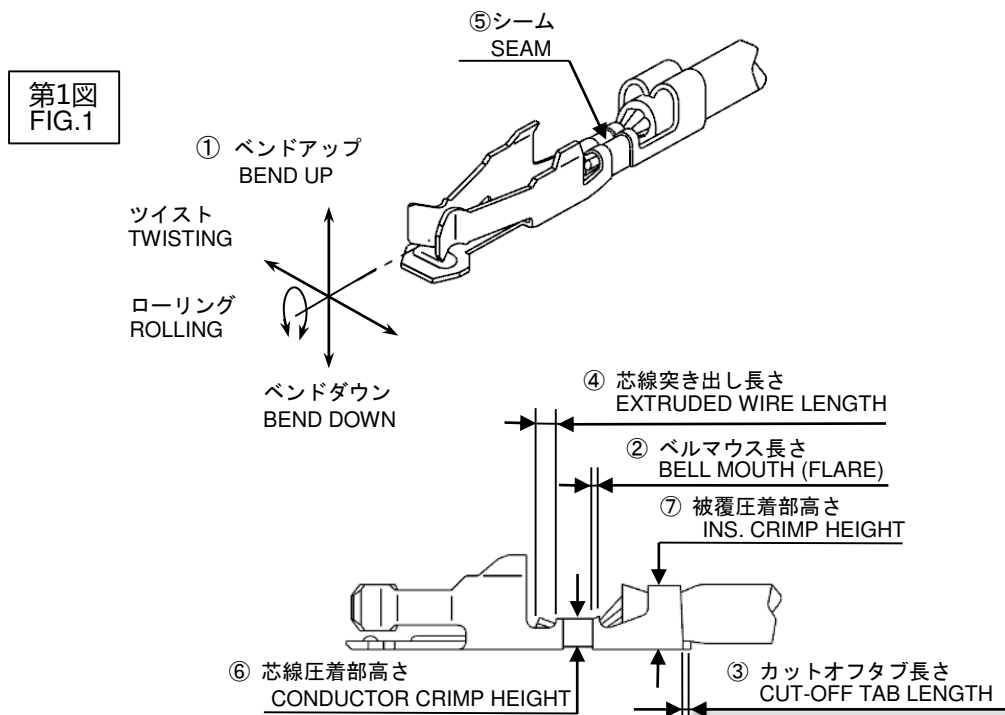
2.0mm PITCH GRID WIRE TO BOARD CONN. CRIMP TERM の圧着に伴う諸元について規定する。

THIS STANDARD SPECIFIES THE DIMENSIONS AFTER CRIMPING OF THE 2.0mm PITCH GRID WIRE TO BOARD CONNECTOR TERMINAL.

【2. 適用端子／電線 APPLICABLE TERMINAL／WIRE】

端子型番 Part Number	適用電線 WIRE SIZE		絶縁被覆外径 INSULATION DIAMETER
	AWG	mm ²	
50394-8*** 撚り線 (STRAND WIRE)	#24~#30	0.049~0.22	φ0.8 - φ1.4 mm

【3. 各部の名称 DEFINITION】



REV.	A			
SHEET	1-4			
REVISE ON PC ONLY		TITLE:		
A	新規作成	2.0mm GRID WIRE TO BOARD CONN.		
	RELEASED	CRIMP TERMINAL		
	177772	THIS DOCUMENT CONTAINS INFORMATION THAT IS PROPRIETARY TO MOLEX ELECTRONIC TECHNOLOGIES, LLC AND SHOULD NOT BE USED WITHOUT WRITTEN PERMISSION		
	06/06/2018 GSHARMA			
REV.	DESCRIPTION	DATE: 1993/06/09		
DESIGN CONTROL	STATUS			
J		WRITTEN BY: M.YAGI	CHECKED BY: Y.ITO	APPROVED BY: H.IKESUGI
DOCUMENT NUMBER CS-50394		DOC. TYPE PSD	DOC. PART 001	CUSTOMER GENERAL MARKET
				SHEET 1 OF 4

【4. 仕様 SPECIFICATION】

番号 NUMBER	項目 ITEM	仕様 REQUIREMENT
①	バンドアップ BEND UP	4°以下 / MAX.
	バンドダウン BEND DOWN	3°以下 / MAX.
	ツイスト TWISTING	3°以下 / MAX.
	ローリング ROLLING	4°以下 / MAX.
②	ベルマウス (参考値) BELL MOUTH (REF.)	0.05 ~ 0.35 mm
③	カットオフタブ長さ CUT OFF TAB LENGTH	0 ~ 0.15 mm以下 / MAX.
④	芯線突き出し長さ EXTRUDED WIRE LENGTH	0 ~ 0.5 mm
⑤	シーム SEAM	シームは閉じていること。但し開きのある場合は芯線の飛び出しなきこと。 SEAM SHALL NOT BE OPENED AND NOT WIRE ALLOWED OUT OF CRIMPING THE AREA.
≠	絶縁被覆むき長さ (参考値) WIRE STRIP LENGTH (REF.)	1.3 ~ 1.8 mm

【5. 圧着条件 (⑥及び⑦) CONDITIONS】

電線(UL1007相当品)を圧着した際の要件は下記による。

AFTER CRIMPING THE STRAND WIRE (EQUIVALENT TO UL1007), THE CRIMPED AREAS SHOULD BE AS FOLLOWS.

ターミナル 番号 TERMINAL NO.	電線サイズ WIRE SIZE (AWG)	圧着 ツール番号 CRIMP DIE MODEL NO.	⑥芯線圧着部高さ CONDUCTOR CRIMP HEIGHT		⑦被覆圧着部 INSULATION		圧着部引張強度 CRIMP STRENGTH (N {Kgf})
			工具 マーク TOOL MARK	高さ HEIGHT (mm)	工具 マーク TOOL MARK	参考高さ HEIGHT (REF.) (mm)	
50394 -8***	#24 (*1)	57315 -3000	C	0.60 ~0.65	6	1.35	29.4{3.0}以上 / MIN.
	#26		C	0.59 ~0.64	6	1.35	19.6{2.0}以上 / MIN.
	#28		B	0.56 ~0.61	6	1.30	9.8{1.0}以上 / MIN.
	#30		A	0.53 ~0.58	5	1.30	4.9{0.5}以上 / MIN.

注) *1 UL1061相当品を圧着した際の条件

NOTE. AFTER CRIMPING WIRE (EQUIVALENT TO UL1061), THE CRIMPED AREA SHOULD BE AS FOLLOWS.

REVISE ON PC ONLY		TITLE:			
A	SEE SHEET 1 OF 4	1.25 W/B CONN. RECEPTACLE CRIMP TERMINAL 圧着仕様書			
	REV.	DESCRIPTION	THIS DOCUMENT CONTAINS INFORMATION THAT IS PROPRIETARY TO MOLEX ELECTRONIC TECHNOLOGIES, LLC AND SHOULD NOT BE USED WITHOUT WRITTEN PERMISSION		
DOCUMENT NUMBER CS-50394		DOC. TYPE PSD	DOC. PART 001	CUSTOMER GENERAL MARKET	SHEET 2 OF 4

【6. 消耗部品一覧表 PERISHABLE PARTS LIST】

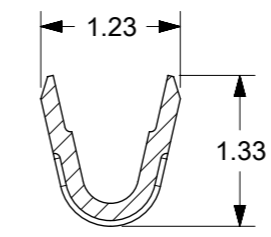
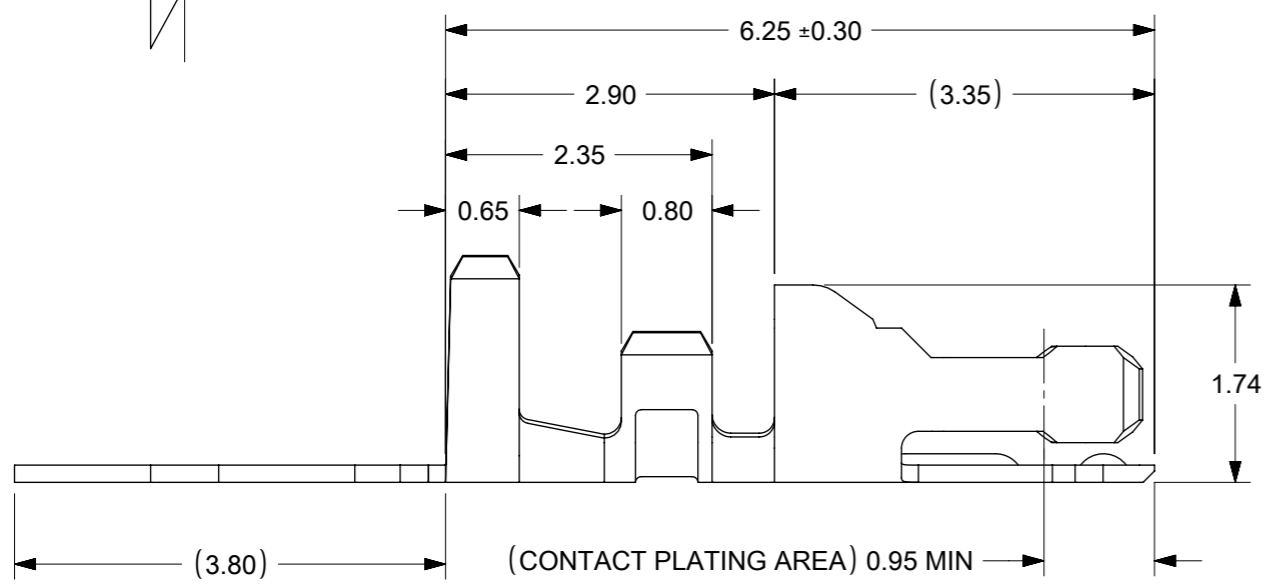
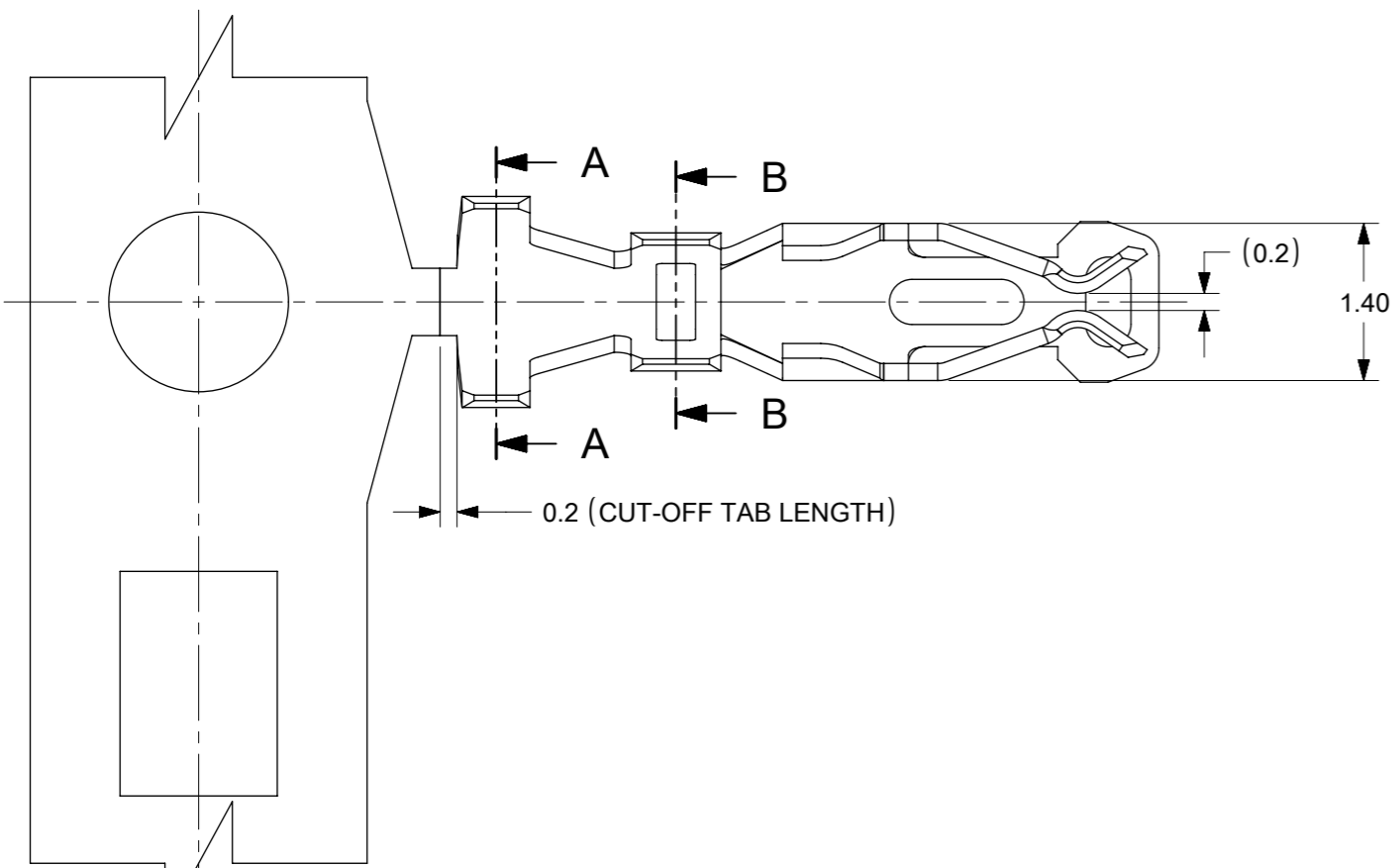
部品名称 PART NAME	部品番号 PART NO.
アンビル ANVIL	57175-2101
芯線クリンプパンチ COND. PUNCH	57175-2102
被覆クリンプパンチ INS. PUNCH	57175-2103
フロントフローティングシェア FRONT FLOATING SHEAR	57067-2006
フロントホルダー FRONT HOLDER	57067-2005

A	REVISE ON PC ONLY	TITLE: 1.25 W/B CONN. RECEPTACLE CRIMP TERMINAL 圧着仕様書		
	SEE SHEET 1 OF 4			
REV.	DESCRIPTION	THIS DOCUMENT CONTAINS INFORMATION THAT IS PROPRIETARY TO MOLEX ELECTRONIC TECHNOLOGIES, LLC AND SHOULD NOT BE USED WITHOUT WRITTEN PERMISSION		
DOCUMENT NUMBER CS-50394	DOC. TYPE PSD	DOC. PART 001	CUSTOMER GENERAL MARKET	SHEET 3 OF 4

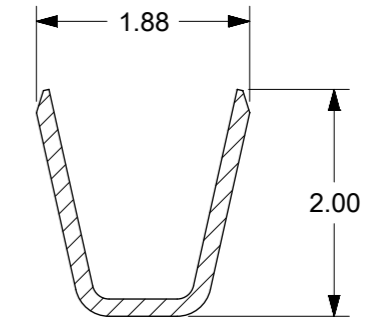
REV.	REV. RECORD	DATE	EC NO.	WRITTEN BY :	CHECKED BY :
0	RELEASED	09/06/93	T30267	M.YAGI	--
D	REDRAWN & RELEASED	06/06/18	177772	G.SHARMA	A.TEZUKA

A	REVISE ON PC ONLY	SEE SHEET 1 OF 4	TITLE:
	DESCRIPTION		1.25 W/B CONN. RECEPTACLE CRIMP TERMINAL 圧着仕様書
	THIS DOCUMENT CONTAINS INFORMATION THAT IS PROPRIETARY TO MOLEX ELECTRONIC TECHNOLOGIES, LLC AND SHOULD NOT BE USED WITHOUT WRITTEN PERMISSION		

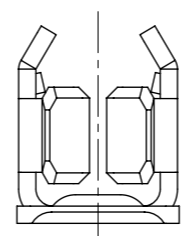
DOCUMENT NUMBER CS-50394	DOC. TYPE PSD	DOC. PART 001	CUSTOMER GENERAL MARKET	SHEET 4 OF 4
------------------------------------	-------------------------	-------------------------	-----------------------------------	-----------------



SECTION B-B

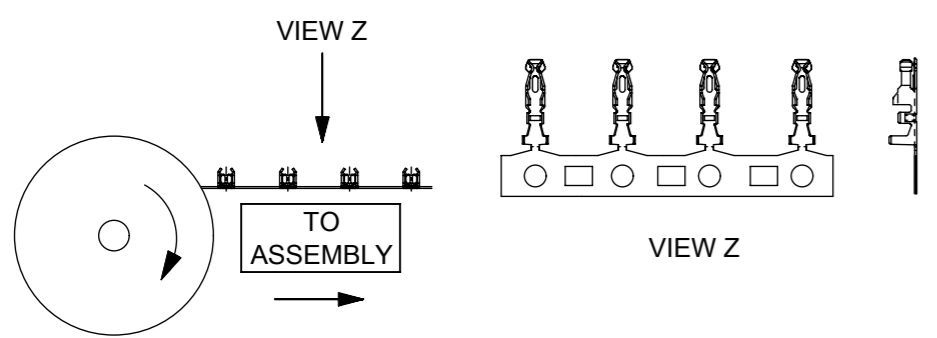


SECTION A-A



- NOTES :
1. MATERIAL: COPPER ALLOY
 2. APPLICABLE HOUSING : 51110-***1
: 51110-**5*
: 151100-00**
 3. APPLICABLE WIRE: AWG #24-#30
WIRE INSULATION OD: 1.40mm MAX.
 4. CRIMPING SPECIFICATION: CS-50394

WINDING DIRECTION



THIS DRAWING CONTAINS INFORMATION THAT IS PROPRIETARY TO MOLEX ELECTRONIC TECHNOLOGIES, LLC AND SHOULD NOT BE USED WITHOUT WRITTEN PERMISSION										
QUALITY SYMBOLS	EC NO: 662246	DRWN: ABABUPS	CHK'D: MIRAMAKRISHNA	REV APPR: MIRAMAKRISHNA	GENERAL TOLERANCES (UNLESS SPECIFIED)		DIMENSION UNITS	SCALE		
					MM	INCH	MM	NTS		
▽ = 0	2021/04/28	2021/04/28	2021/04/28	2021/04/28	4 PLACES ±	±	DRWN BY	DATE		
▽ = 0					3 PLACES ±	±	S.Q	1994/04/20		
▽ = 0					2 PLACES ± 0.2	±	CHK'D BY	DATE		
▼ = 0					1 PLACES ±	±	EDPOH	1994/04/27		
▽ = 0					0 PLACES ±	±	APPR BY	DATE		
⊠ = 0							LBLEE	2013/11/13		
■ = 0					ANGULAR TOL = 3.0		DRAWING SIZE	THIRD ANGLE PROJECTION		
▽ = 0					DRAFT WHERE APPLICABLE MUST REMAIN WITHIN DIMENSIONS		A3			
RELEASE STATUS		RELEASE DATE								

molex

SALES DRAWING
2.0MM GRID W TO B CONN. CRIMP TERMINAL

PRODUCT CUSTOMER DRAWING

SERIES	MATERIAL NUMBER	CUSTOMER
50394	SEE TABLE	GENERAL MARKET
DOCUMENT NUMBER	DOC TYPE	DOC PART
SD-50394-8XXX	PSD	000
SHEET NUMBER		
1 OF 1		