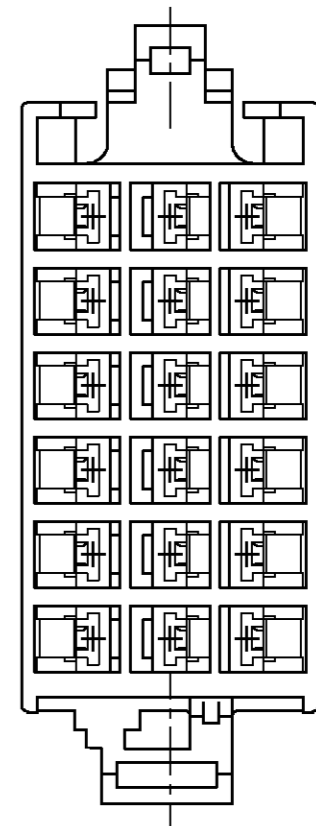
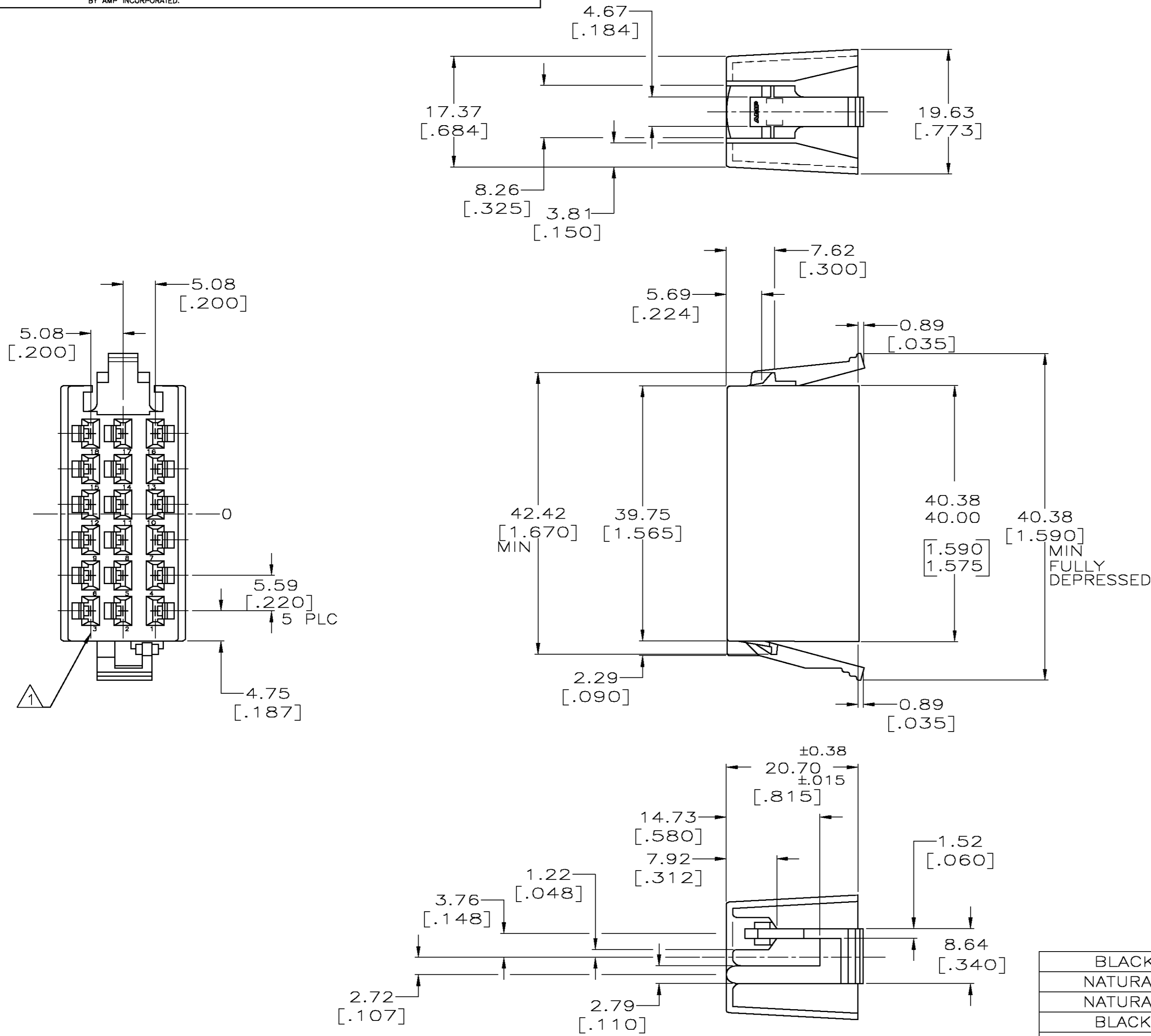


THIS DRAWING IS UNPUBLISHED. RELEASED FOR PUBLICATION .19
 © COPYRIGHT 19 BY AMP INCORPORATED. ALL RIGHTS RESERVED.

LOC	DIST	REVISIONS					
AF	50	P	LTR	DESCRIPTION	DATE	DWN	APVD
		V		REL PER 0G3A-0189-03	27MAR03	JR	DD

- ① CIRCUIT IDENTIFICATION.
- ② FOREIGN PRODUCTION ONLY.
- ③ PREPRODUCTION - FASR REQ



FINISH	MATERIAL	PART NUMBER
BLACK	NYLON 6/66, UL 94V-0	③ 770199-4
NATURAL	NYLON 6/6	② 770199-3
NATURAL	NYLON 6/6, UL94 V-0	② 770199-2
BLACK	NYLON 6/6	770199-1

THIS DRAWING IS A CONTROLLED DOCUMENT.

DWN M.S. FEHER 10NOV2000	 AMP Incorporated Harrisburg, PA 17105-3608	
CHK J.R. RUTH 10NOV2000		
APVD DON DECKER 10NOV2000		
NAME PRODUCT SPEC APPLICATION SPEC		
MATERIAL SEE TABLE	SIZE A2 CAGE CODE 00779 DRAWING NO C=770199	
DIMENSIONS: mm [inches]	TOLERANCES UNLESS OTHERWISE SPECIFIED: 0 PLC ±- 1 PLC ±- 2 PLC ±0.25 [.010] 3 PLC ±- 4 PLC ±- ANGLES ±- FINISH SEE TABLE	
CUSTOMER DRAWING		SCALE 2:1 SHEET 1 OF 1 REV V