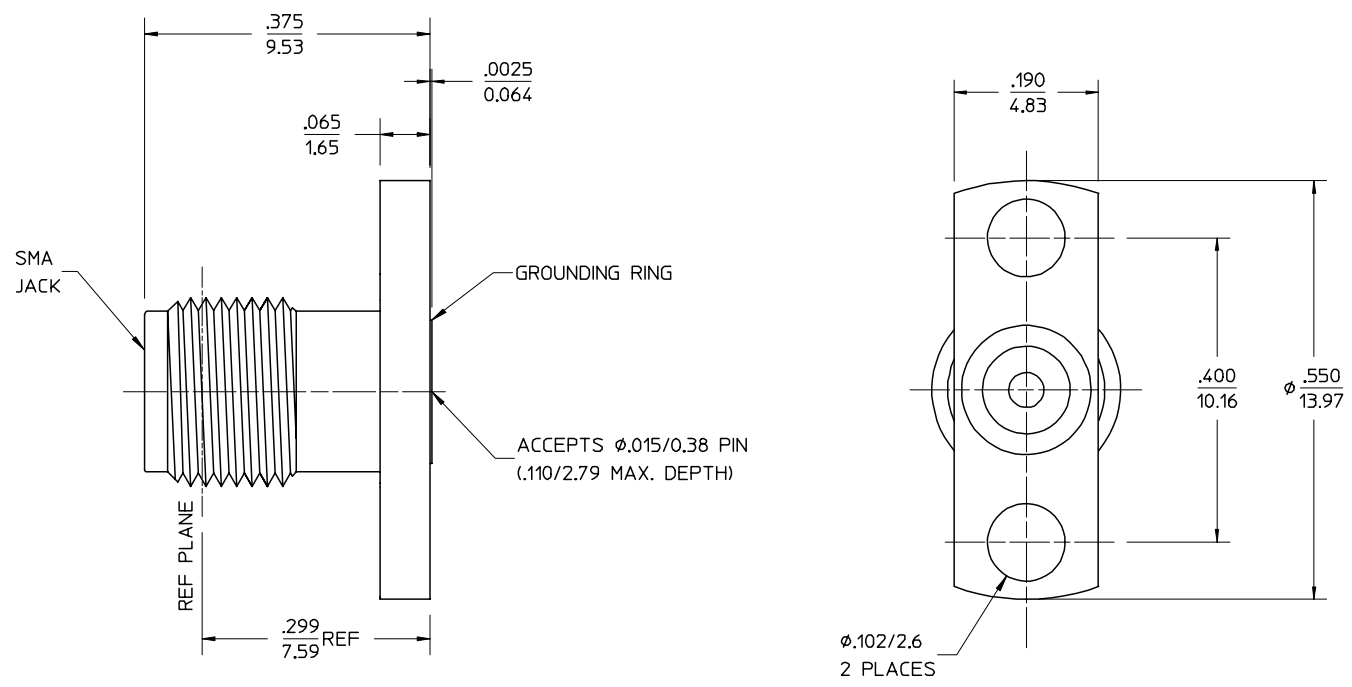


MATERIALS AND FINISHES:
 BODY STAINLESS STEEL
 PASSIVATED

 CENTER CONTACT BERYLLIUM COPPER
 PLATED GOLD

 INSULATOR TEFLON



PART # 73251-1000

MIL-STD-348, FIGURE 310-2	INTERFACE
PS-89675-2910	ELECTRO/MECH PERFORMANCE
SPECIFICATION	DESCRIPTION

CHG: NEW RELEASE	EC NO. URF-0233	DESCRIPTION	UNLESS OTHERWISE SPECIFIED DIMS ARE INCHES AND ANGLES ARE DEGREES. 1. ✓ 63 ALL OVER. 2. NO CHATTER OR NON-UNIFORM SURFACE FINISH ALLOWED. 3. PARTS TO BE FREE OF BURRS & SHARP EDGES .005 MAX BREAK. 4. EXTERNAL THREADS TO BE ROLLED OR SINGLE POINT. 5. DIAMETERS TO BE CONCENTRIC WITHIN .003 TIR.
	DRWN: TEF 06/21/99		
	CHK: DHG 06/21/99 APPR: GMH 06/21/99		
A	REV		

QUALITY SYMBOLS
 MAJOR
 CRITICAL

GENERAL TOLERANCES: (UNLESS SPECIFIED)	SCALE	DESIGN UNITS	THIRD ANGLE PROJECTION
4 PLACES ± .0005	mm INCH	mm INCH	mm ONLY
3 PLACES ± .005			
2 PLACES ± .01			
1 PLACE ± .1			
ANGULAR: ±2°			
DRAFT WHERE APPLICABLE MUST REMAIN WITHIN DIMENSIONS			

DRAWN BY & DATE	EDC 02/19/99
CHECKED BY & DATE	DHG 02/19/99
APPROVED BY & DATE	GMH 02/19/99
CAD FILENAME	

TITLE: SMA JACK, RECEPTACLE, 2 HOLE FLANGE MOUNT, ACCEPTS .015 DIA PIN SMA-JR/F		SHT		REV	
MOLEX MOLEX INCORPORATED		MATERIAL NO. SEE NOTE		DRAWING NO. SD-73251-100	
THIS DRAWING CONTAINS INFORMATION THAT IS PROPRIETARY TO MOLEX INCORPORATED AND SHOULD NOT BE USED WITHOUT WRITTEN PERMISSION.		SHEET NO. 1 of 1		SIZE B	