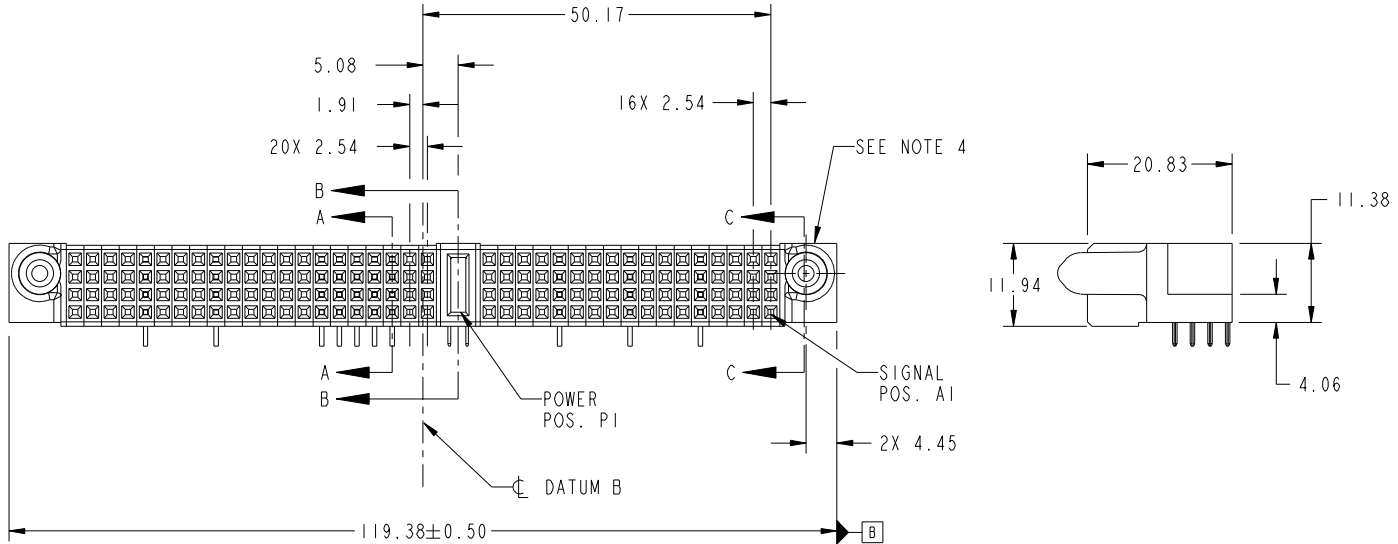


Tous droits strictement réservés. Reproduction ou communication a des tiers interdite sous quelque forme que ce soit sans autorisation écrite du propriétaire. Propriété de c FCI. Droits de reproduction FCI.

All rights strictly reserved. Reproduction or issue to third parties in any form whatever is not permitted without written authority from the proprietor. Property of FCI. Copyright FCI.



PRODUCT NO.	ROWS	SIGNAL																POWER	SIGNAL																								
		E2	38	37	36	35	34	33	32	31	30	29	28	27	26	25	24	23	22	21	20	19	18	P1	17	16	15	14	13	12	11	10	9	8	7	6	5	4	3	2	1	E1	
51915-275-- NOTE 3	D C B A	X	X	X	X	X	H	X	X	X	H	X	X	X	X	H	H	H	H	X	X	X	PA	X	X	X	X	X	H	X	X	X	H	X	X	X	X	H	X	X	X	X	X



CODE	DIM "M" MATING LENGTH	CONTACT TYPE
PA	[1.07]	POWER
H	[N/A]	SIGNAL
G	[N/A]	SIGNAL
F	[N/A]	SIGNAL
E	[N/A]	SIGNAL
X	OMITTED	OMITTED

mat'l code				SEE NOTE 2		tolerances unless otherwise specified		CUSTOMER		www.fciconnect.com
litr	ecn no.	dr	date	linear	0.X ±0.5	angles	0° ±2°	projection		
A	DG10-0339	AL	08/28/10	dr	0.XX ±0.25	enr	Anson Liu 08/28/10		title	
				chr	0.XXX ±0.1	appr	Jerome Chen 08/28/10	scale	68S + IP + 84S R/A STB RECEPTACLE	
sheet index	revision sheet	A 1	A 2	A 3	A 4		PM ZHENG 08/28/10	1:1	product family	
							Joseph Hsia 08/28/10		PwrBlade	
									size	
									dwg no	
									A 51915-275	
									code	
									213	
									sheet	
									1 of 4	

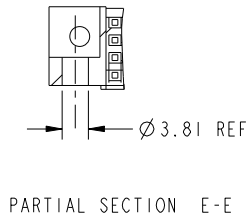
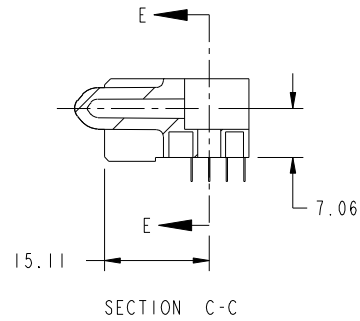
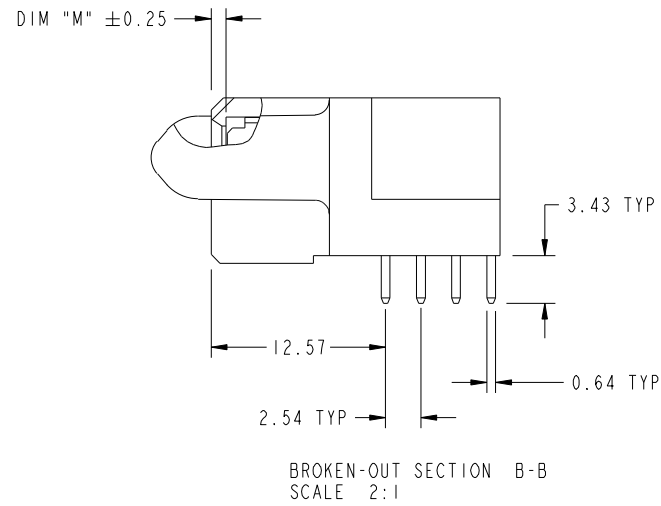
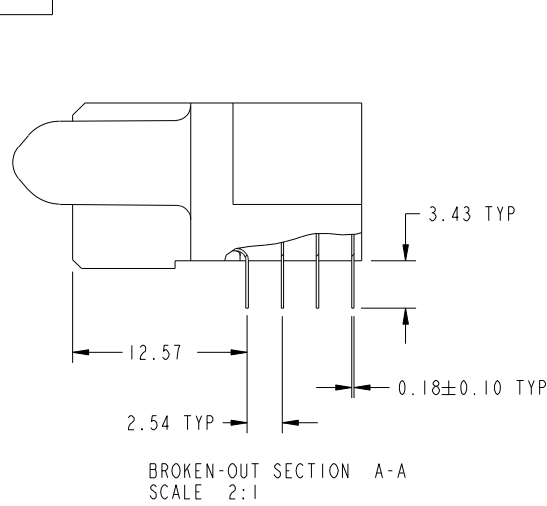
cage code 22526

Tous droits strictement réservés. Reproduction ou communication a des tiers interdite sous quelque forme que ce soit sans autorisation écrite du propriétaire. Propriété de c FCI. Droits de reproduction FCI.

All rights strictly reserved. Reproduction or issue to third parties in any form whatever is not permitted without written authority from the proprietor. Property of FCI. Copyright FCI.



PRODUCT NUMBER
51915-275--
NOTE 3



mat'l code				SEE NOTE 2		tolerances unless otherwise specified		CUSTOMER		FCI	
ltr	ecr no.	dr	date	linear	0.X ±0.5		COPY		www.fciconnect.com		
A					0.XX ±0.25		projection		title		
					0.XXX ±0.1				68S + 1P + 84S R/A STB RECEPTACLE		
					angles	0° ±2°				product family	
				dr	Anson Liu	08/28/10	scale		PwrBlade		code
				enr	Jerome Chen	08/28/10	1:1		size		213
				chr	PM ZHENG	08/28/10			dwg no		sheet
				appd	Joseph Hsia	08/28/10			A		2 of 4
sheet index		revision sheet									

cage code 22526

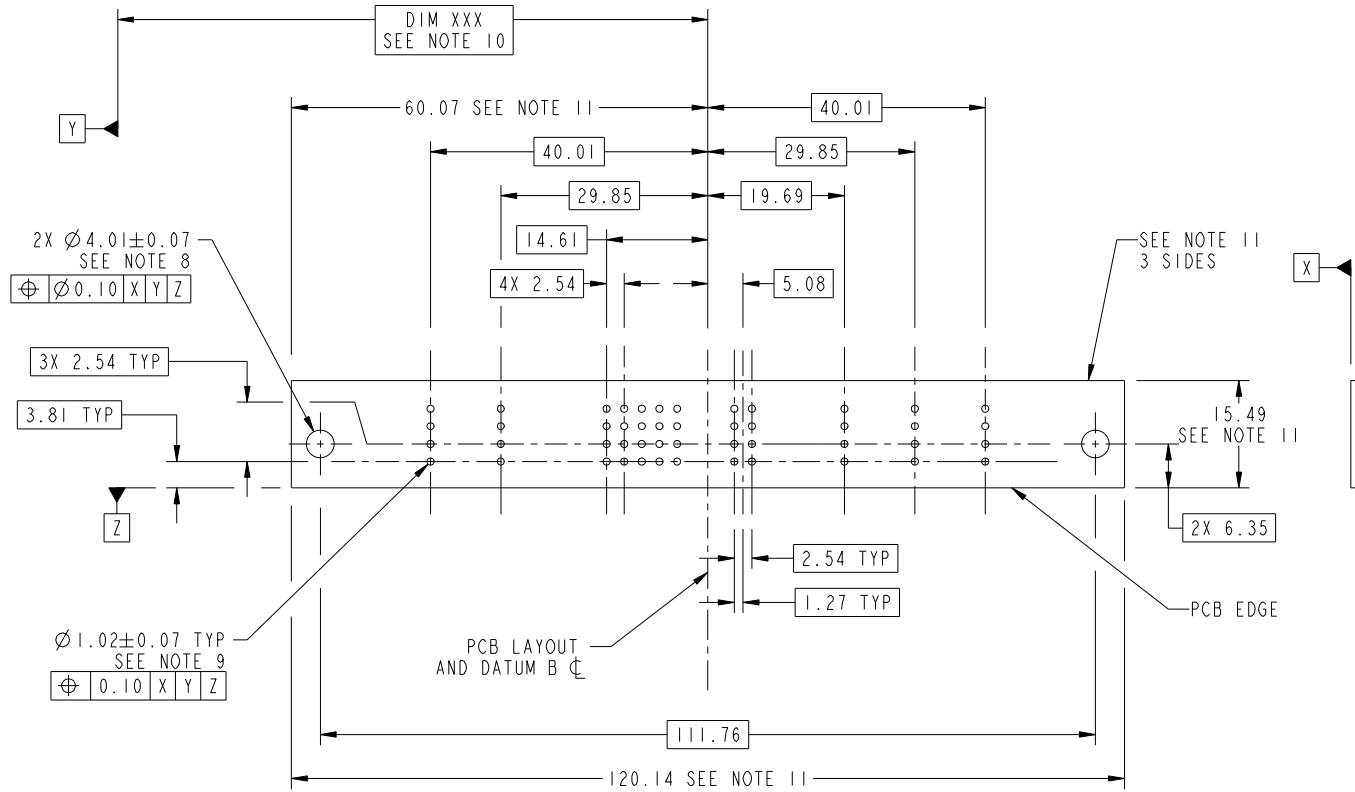
Pro/E

Tous droits strictement reserves. Reproduction ou communication a des tiers interdite sous quelque forme que ce soit sans autorisation écrite du propriétaire. Propriete de c FCI. Droits de reproduction FCI.

All rights strictly reserved. Reproduction or issue to third parties in any form whatever is not permitted without written authority from the proprietor. Property of FCI. Copyright FCI.



PRODUCT NUMBER
51915-275--
NOTE 3



RECOMMENDED PCB LAYOUT

mat'l code		SEE NOTE		tolerances unless otherwise specified		CUSTOMER		 www.fciconnect.com	
ltr	ecn no.	dr	date	linear	0.X ±0.5	COPY		title	
A					0.XX ±0.25	projection		68S + 1P + 84S R/A STB RECEPTACLE	
				angles	0.XXX ±0.1			product family PwrBlade code 213	
				dr	Anson Liu 08/28/10	MIM		size dwg no 51915-275 sheet 3 of 4	
				enr	Jerome Chen 08/28/10			scale 1:1	
				chr	PM ZHENG 08/28/10			cage code 22526	
				appd	Joseph Hsia 08/28/10				
sheet index	revision sheet								

Pro/E

cage code 22526

Tous droits strictement reserves. Reproduction ou communication a des tiers interdite sous quelque forme que ce soit sans autorisation écrite du propriétaire. Propriete de c FCI. Droits de reproduction FCI.



All rights strictly reserved. Reproduction or issue to third parties in any form whatever is not permitted without written authority from the proprietor. Property of FCI. Copyright FCI.

PRODUCT NUMBER
51915-275--
NOTE 3

NOTES:

1. DIMENSIONS AND TOLERANCES ARE IN ACCORDANCE WITH ASME Y14.5M, 1994 UNLESS OTHERWISE SPECIFIED.

CONNECTOR NOTES:

- 2. HOUSING MATERIAL: UL 94 V-0 GLASS FILLED HIGH-TEMP THERMOPLASTIC
POWER CONTACT MATERIAL: COPPER ALLOY
SIGNAL PIN MATERIAL: COPPER ALLOY
 - 3. SEE ITEM 5 & 6 IN PRINT 10064183 FOR PLATING SPEC OF 51915-275 AND 51915-275LF RESPECTIVELY.
 - 4. MANUFACTURER'S NAME, DATE CODE AND OPTIONAL P/N TO APPEAR ON THIS SURFACE. THE P/N CAN BE OMITTED IF THERE IS NOT ENOUGH SPACE ON THIS SURFACE.
 - 5. PRODUCT SPECIFICATION GS-12-149.
APPLICATION SPECIFICATION BUS-20-067.
 - 6. PACKAGED IN TRAYS.
- PCB NOTES:
- 7. ALL HOLE DIAMETERS ARE FINISHED HOLE SIZE.

- 8. MOUNTING HOLES, WHERE APPLICABLE, ARE UNPLATED.
- 9. $\varnothing 1.151 \pm 0.025$ DRILLED HOLES PLATED WITH
0.008 MIN SnPb OR Sn OVER 0.03
TO 0.08 Cu PLATING TO ACHIEVE
 $\varnothing 1.02 \pm 0.07$ HOLE.
- 10. "DIM XXX" TO BE DETERMINED BY THE CUSTOMER.
- 11. CONNECTOR KEEP-OUT ZONE.
- 12. THE VOID CORING IN BETWEEN POWER MODULES, SIGNAL MODULES AND END MODULES ARE OPTIONAL AND THE SHAPE MAY BE DIFFERENT FOR OPTIMIZE THE MOLDING PROCESS. THE VOID CORING WILL NOT EFFECT TO PRODUCT FUNCTION.

mat'l code		SEE NOTE 2		tolerances unless otherwise specified		CUSTOMER		 www.fciconnect.com	
ltr	ecr no.	dr	date	linear	0.X ± 0.5	COPY		title	
A					0.XX ± 0.25	projection		68S + 1P + 84S R/A STB RECEPTACLE	
				angles	0.XXX ± 0.1			product family	
				dr	0° ± 2°			PwrBlade	
				enr	Anson Liu 08/28/10	scale		code	
				chr	Jerome Chen 08/28/10	1:1		213	
				appd	PM ZHENG 08/28/10	A		sheet	
					Joseph Hsia 08/28/10			4 of 4	
sheet index	revision sheet								

cage code 22526