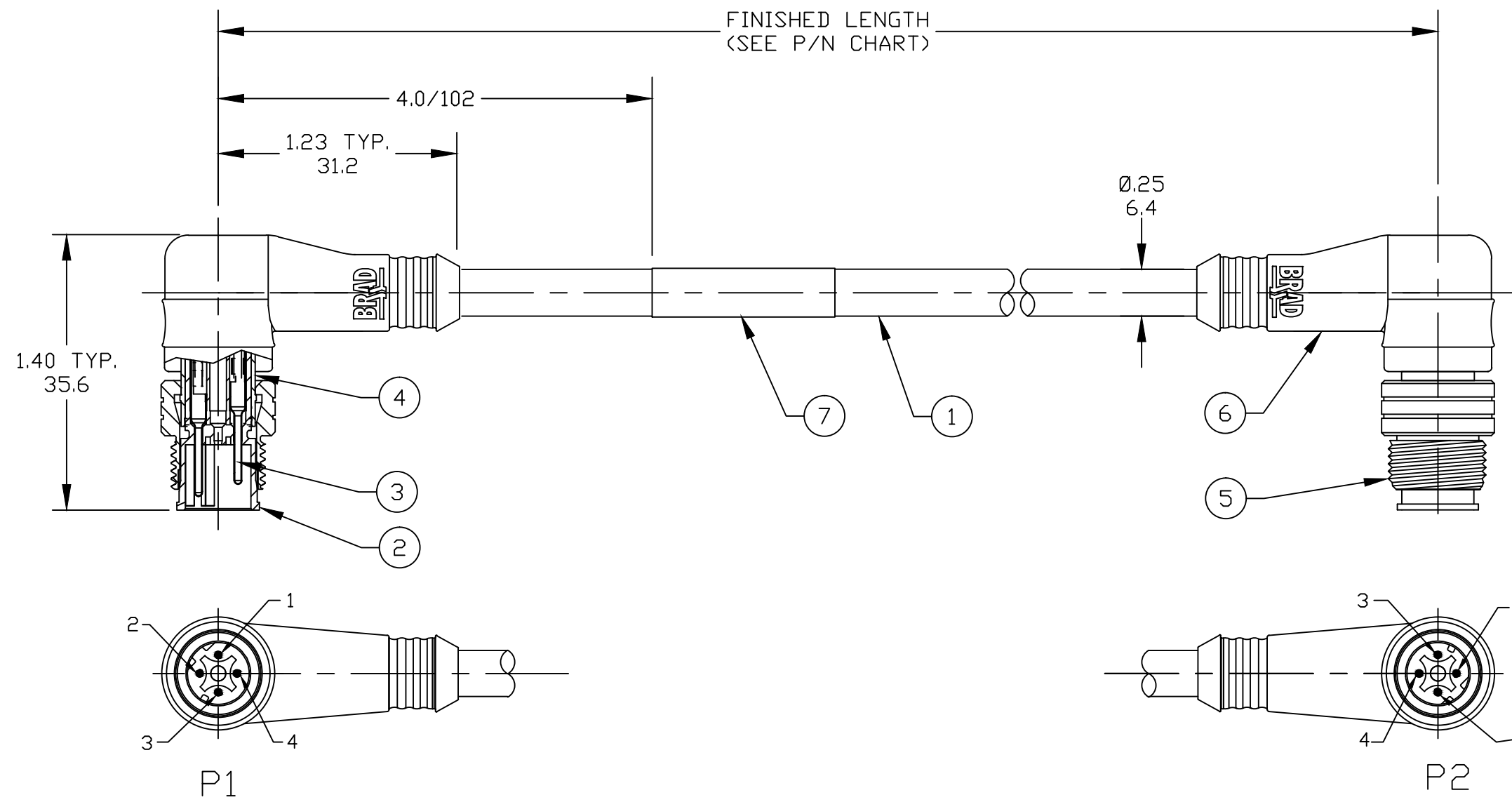


PART NO.	ENGINEERING NO.	FINISHED LENGTH
1201080173	E11A06305M006	0.6M [1'8"]
1201080174	E11A06305M010	1.0M [3'3"]
1201080179	E11A06305M100	10.0M [32'10"]

CABLE LENGTH TOLERANCES	
>.3M [1FT]:	+19mm-0 [+0.75in-0]
.3 - .9M [1 - 3FT]:	+44.5mm-0 [+1.75in-0]
.9 - 1.8M [3 - 6FT]:	+55.6mm-0 [+2.19in-0]
1.8 - 3.7M [6 - 12FT]:	+88.9mm-0 [+3.50in-0]
3.7 - 7.3M [12 - 24FT]:	+165.1mm-0 [+6.50in-0]
7.3-14.6M [24 - 48FT]:	+317.5mm-0 [+12.50in-0]
14.6 - 30.5M [48-100FT]:	+622.3mm-0 [+24.50in-0]
OVER 30M [100FT]	+2% OF FINISHED LENGTH



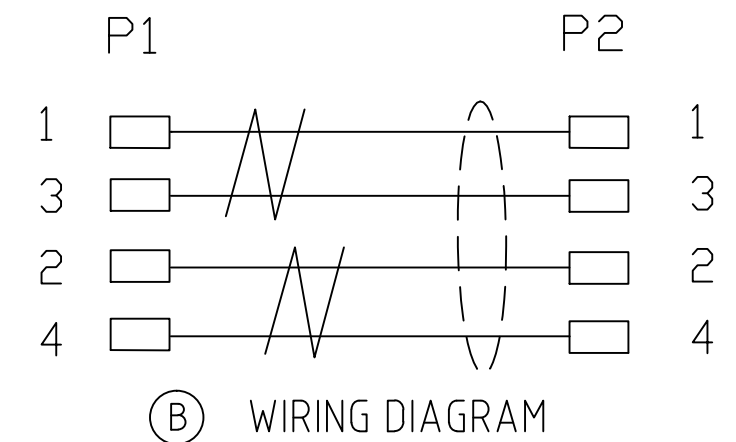
PART NUMBER LEGEND

E11A06305M006

FINISHED LENGTH:
M005= 0.5 METER
M010= 1 METER
M100= 10 METER

NOTES:

1. MATERIAL: AS NOTED
2. FINISH: AS NOTED
3. ELECTRICAL:
VOLTAGE: 30V
CURRENT: 1.5A
4. TEMP RATING: -20° TO +75°C
5. PROTECTION: IP67 (WHEN MATED)
6. COUPLING THREAD: M12 X 1
7. UL CERTIFIED FILE: E200650
8. ALL DIMS ARE FOR REFERENCE UNLESS NOTED OTHERWISE



(B) REF. THIS DRAWING SUPERSEDES CD-CREATE DOC SD-120108-038 REV-1

ITEM	DESCRIPTION	MATERIAL	FINISH
7	WRAP LABEL	VINYL	BLACK/YELLOW
6	OVERMOLD	PBT	GRAY
5	COUPLING NUT	BRASS	NICKEL PLATED
4	SHIELD HOUSING	BRASS	NICKEL PLATED
3	CONTACT PIN	COPPER ALLOY	GOLD PLATED
2	MALE INSERT, D-CODE	PUR	BLACK
1	CABLE, 2 PAIR, 26AWG, SHLD	TPE JACKET	TEAL

REV D AND REDRAWN TO A-CAD	EC NO: IPG2019-0111	DRWN: RSTONE 2018/09/06	CH'KD: C CHRAST	APPR: BWOODMAN2018/10/01	DESCRIPTION
QUALITY SYMBOL	▽=---	▽C=0			

	GENERAL TOLERANCES (UNLESS SPECIFIED)	
	mm	INCH
4 PLACES	±---	±---
3 PLACES	±---	±---
2 PLACES	±---	±---
1 PLACE	±---	±---

DIMENSION STYLE		SCALE	DESIGN UNITS	THIRD ANGLE PROJECTION
IN/MM		---	INCH	
DRAWN BY	DATE	TITLE		
RSTONE	2018/09/06	M12 D-CODED CABLE ASSY		
CHECKED BY	DATE	4P 90D MALE / 90D MALE		
C CHRAST	----	D-CODE 24AWG, 360 SHLD		
APPROVED BY	DATE	MOLEX INCORPORATED		
BWOODMAN	2018/10/01	MOLEX INCORPORATED		
MATERIAL NO.	---	DOCUMENT NO.	SD-120108-038	
SIZE	C	SHEET NO. 1 OF 1		

THIS DRAWING CONTAINS INFORMATION THAT IS PROPRIETARY TO MOLEX INCORPORATED AND SHOULD NOT BE USED WITHOUT WRITTEN PERMISSION