

4

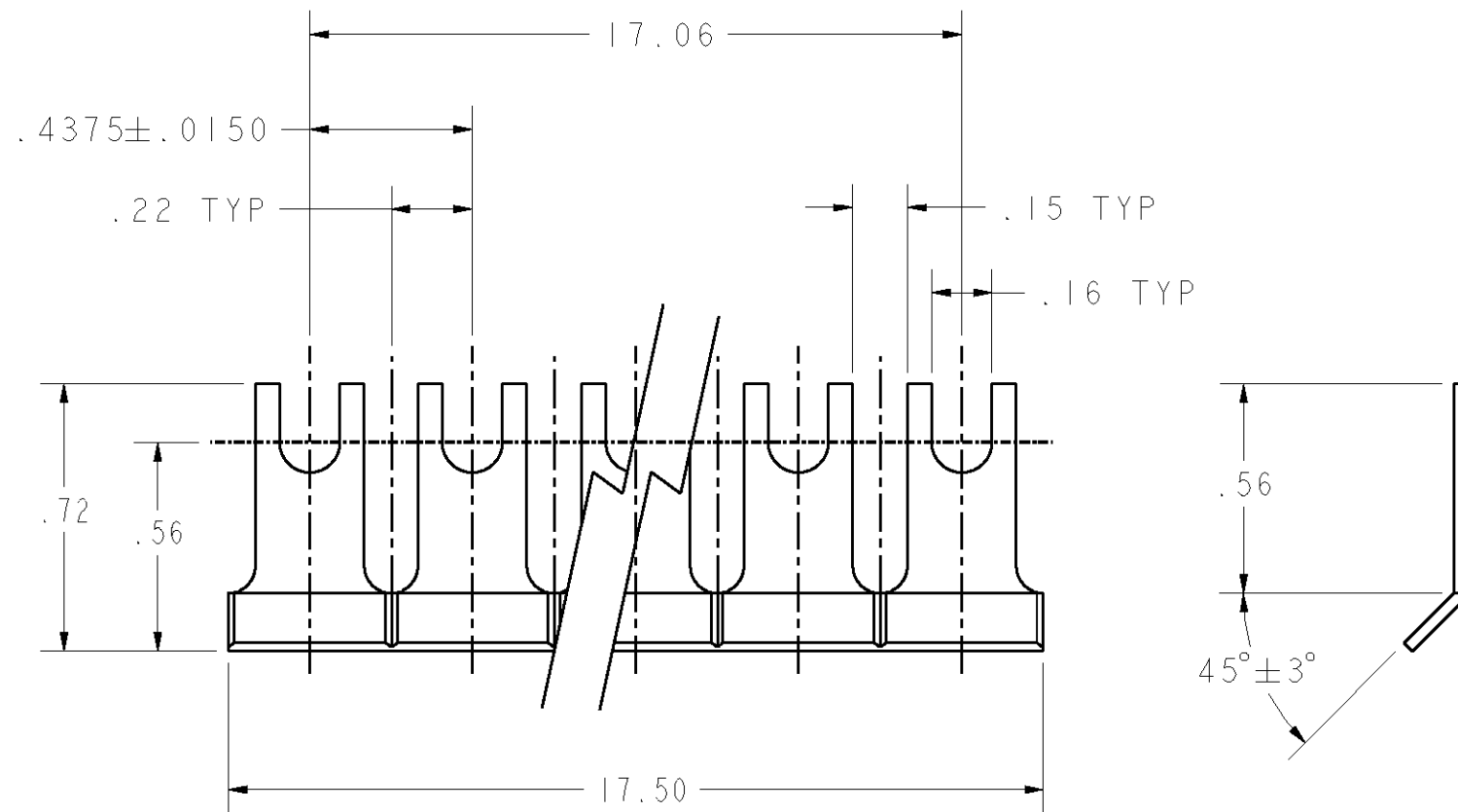
3

2

1

THIS DRAWING IS UNPUBLISHED. RELEASED FOR PUBLICATION 20
 © COPYRIGHT 20 BY TYCO ELECTRONICS CORPORATION. ALL RIGHTS RESERVED.

LOC	DIST	REVISIONS			
P	LTR	DESCRIPTION	DATE	DWN	APVD
FT	0	A	RELEASED	11SEP2001	EZ SY



NOTES:

- MATERIAL: TIN PLATED COPPER ALLOY
.032 THK.
- BUCHANAN CATALOG NO. J7140
TYCO P/N 5-1437418-7

<small>THIS DRAWING IS A CONTROLLED DOCUMENT FOR TYCO ELECTRONICS CORPORATION IT IS SUBJECT TO CHANGE AND THE CONTROLLING ENGINEERING ORGANIZATION SHOULD BE CONTACTED FOR THE LATEST REVISION.</small>		DWN E. ZANOLINI	11SEP2001	BUCHANAN Tyco Electronics Harrisburg, PA 17105-3608
DIMENSIONS: INCHES		CHK S. YODER	11SEP2001	
		APVD S. YODER	11SEP2001	
TOLERANCES UNLESS OTHERWISE SPECIFIED: 0 PLC ±- 1 PLC ±- 2 PLC ±0.01 3 PLC ±0.001 4 PLC ±0.0001 ANGLES ±1		PRODUCT SPEC - APPLICATION SPEC - WEIGHT -		NAME 7/16 AROUND BARRIER SPADE TYPE BREAK-APART 40 POSITION JUMPER
MATERIAL -	FINISH -	CUSTOMER DRAWING		SIZE A3
		SCALE NTS		CAGE CODE 00779
		DRAWING NO 5-1437418-7		SHEET 1 OF 1
				RESTRICTED TO -
				REV A