

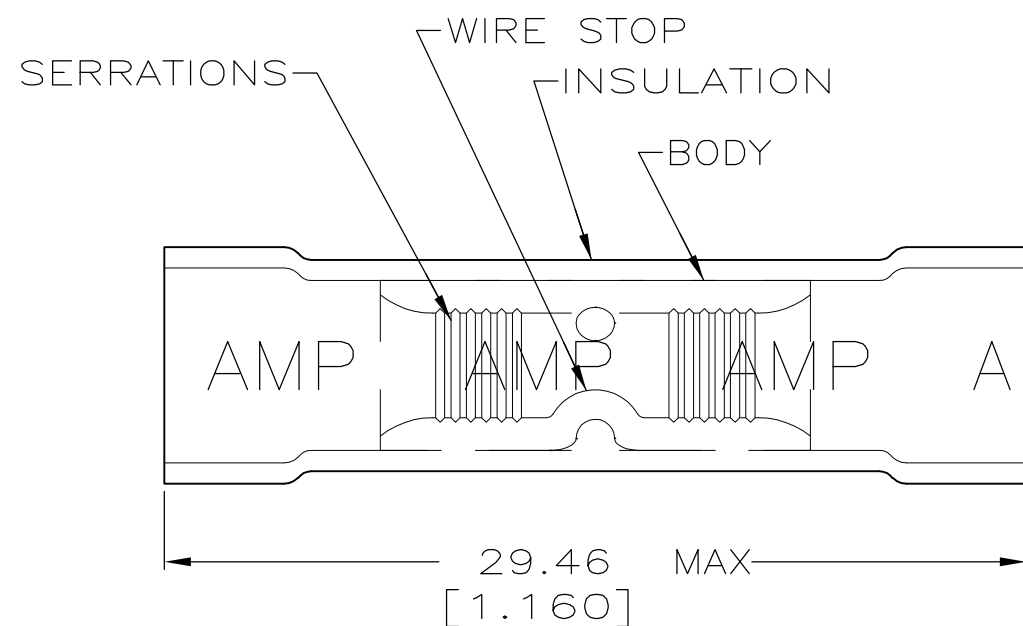


THIS DRAWING IS UNPUBLISHED. RELEASED FOR PUBLICATION
 © COPYRIGHT - By - ALL RIGHTS RESERVED.


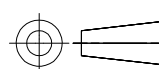
LOC	DIST	REVISIONS					
		P	LTR	DESCRIPTION	DATE	DWN	APVD
G	14		L2	REVISED PER ECO-11-004820	11MAR11	RK	HMR

AMP WIRE RANGE	 E13288	 LR7189 Certified
12-10 SOLID OR STRANDED	12-10 SOLID OR STRANDED	12-10 SOLID OR STRANDED



1. WIRE INSUL DIA,
3.81-5.84 [.150-.230]

QTY	PACKAGE TYPE	PART NO
-	-	-
25	LOOSE PIECE, BAG	8-34072-5
5	LOOSE PIECE, BLS	8-34072-4
100	LOOSE PIECE, BOX	8-34072-1
1500	ON TAPE, REEL	2-34072-2
500	LOOSE PIECE	34072

AMP INCORPORATED CUSTOMER SERVICE SYSTEM		MAX RECOMMENDED OPERATING TEMPERATURE: 90° C [194° F]	THIS DRAWING IS A CONTROLLED DOCUMENT.		DWN M ELLIS 19JUL95	 TE Connectivity				
FOR ADDITIONAL PRODUCT INFORMATION OR COPIES OF DRAWINGS AND TECHNICAL DOCUMENTS	PRODUCT INFORMATION CENTER 1-800-522-6752		VOLTAGE RATING: 600V MAX 1000V (FIXTURES OR SIGNS)	DIMENSIONS: mm [INCHES]	TOLERANCES UNLESS OTHERWISE SPECIFIED:					CHK C PRESNELL 19JUL95
FOR APPLICATION TOOLING INFORMATION	TOOLING ASSISTANCE CENTER 1-800-722-1111	CIRCULAR MIL AREA: 2.62mm² - 6.64mm² [5180-13100]		0 PLC ± -	APVD S BORTNER 19JUL95	PRODUCT SPEC				
FOR ORDER ENTRY	1-800-526-5142			1 PLC ± -	2 PLC ± -	3 PLC ± -	4 PLC ± -	ANGLES ± -	APPLICATION SPEC	
			MATERIAL BODY, CU ASTM B 152 SLV, PVC, COLOR, YELLO	FINISH TIN PLATE PER MIL-T-10727	WEIGHT -	SIZE A3	CAGE CODE 00779	DRAWING NO C-34072		
CUSTOMER DRAWING					SCALE 4:1	SHEET 1 OF 1	REV L2			