



TUF4DPE

POWERFUL

- Large light illuminates sizeable work areas



DURABLE

- Impact resistant light survives an estimated 30 foot drop



WEATHERPROOF

- Survives rugged weather on the job



HANDS-FREE

- Stands up in two different positions

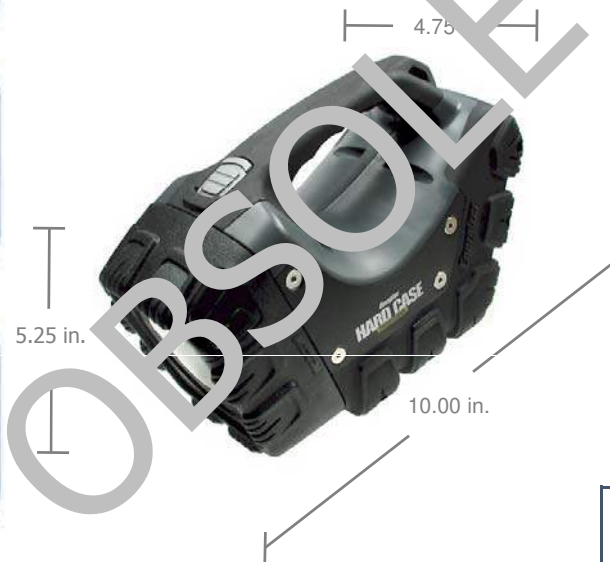


TOUGH

- Shatterproof lens protects LED from damage



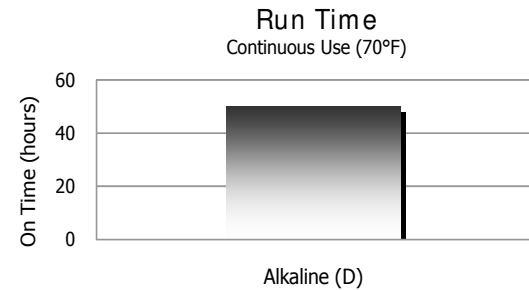
A cost-efficient lighting solution for a number of workers or areas, the TUF4DPE has a long battery life and a high-efficiency lamp. It stands in 2 positions for hands-free operation. A shatterproof lens protects the LED from abusive environments. The lantern is suitable for a wide range of outdoor applications. Surviving drops up to 30 feet, this light is suitable for the roughest job site.



Product Detail:

Designation:	Hard Case Professional 4D LED Lantern
Model:	TUF4DPE
Color:	Black and Dark Grey
Power Source:	Four "D"
Lamp:	One K2 Luxeon LED
Lamp Output Rating:	100 Lumens
Runtime:	>50 hours (estimate)
Durability:	Survives 30 Foot Drop (estimate)
Typical Weight:	1792 grams (63.2 oz.) (with alkaline batteries)
Dimensions (in):	10 x 4.75 x 5.25 (L x W x H)

Performance:



Before Using Your Flashlight:
Please read all instructions and cautionary markings on the package and light

Important Notice

This datasheet contains information specific to products manufactured at the time of its publication

Contents herein do not constitute a warranty
©Energizer / All Rights Reserved