

NOTES:

1. MATERIAL:

HOUSING: LIQUID CRYSTAL POLYMER (LCP), GLAS-FILLED, UL 94V-0,

COLOR: BLASK

TERMINALS: BRASS

2. FINISH:

TERMINAL: 0.76 MICROMETERS/30 MICROINCHES MINIMUM SELECTIVE GOLD

IN CONTACT AREA; 1.27 MICROMETERS/50 MICROINCHES MINIMUM

SELECTIVE TIN IN THE PC TAIL AREA; NICKEL UNDERPLATE OVERALL

3. ASSEMBLY MATES WITH MOLEX P/N SDA-71660-****

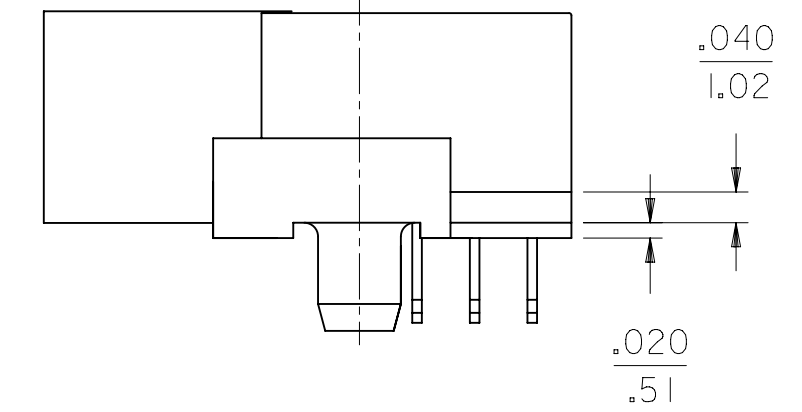
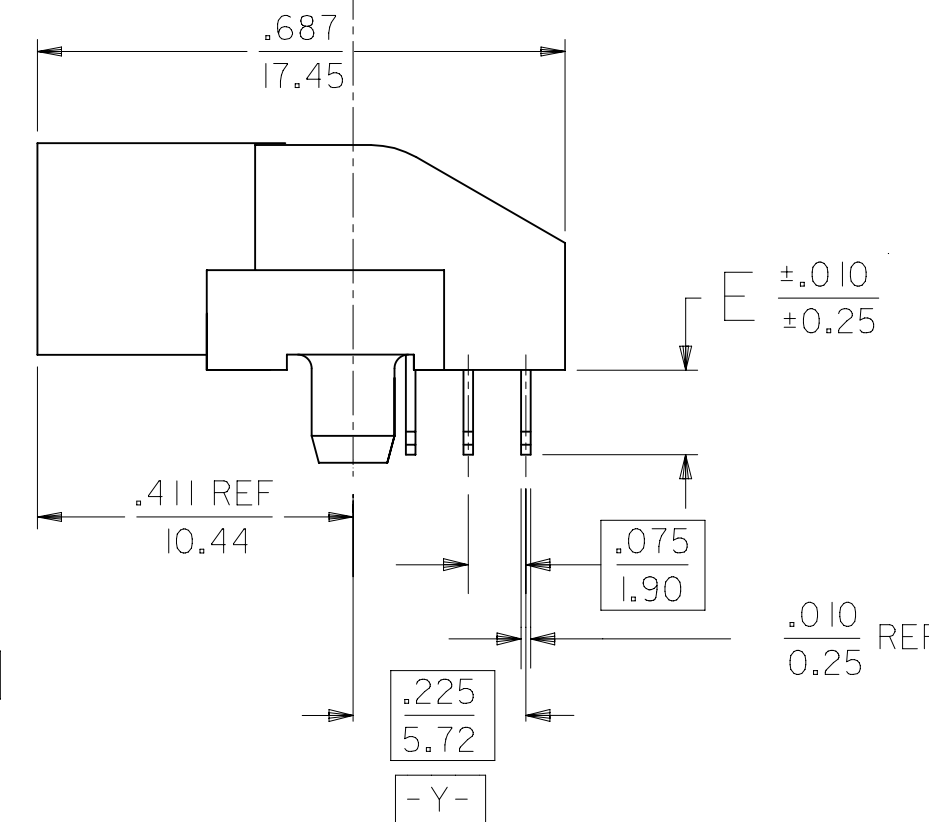
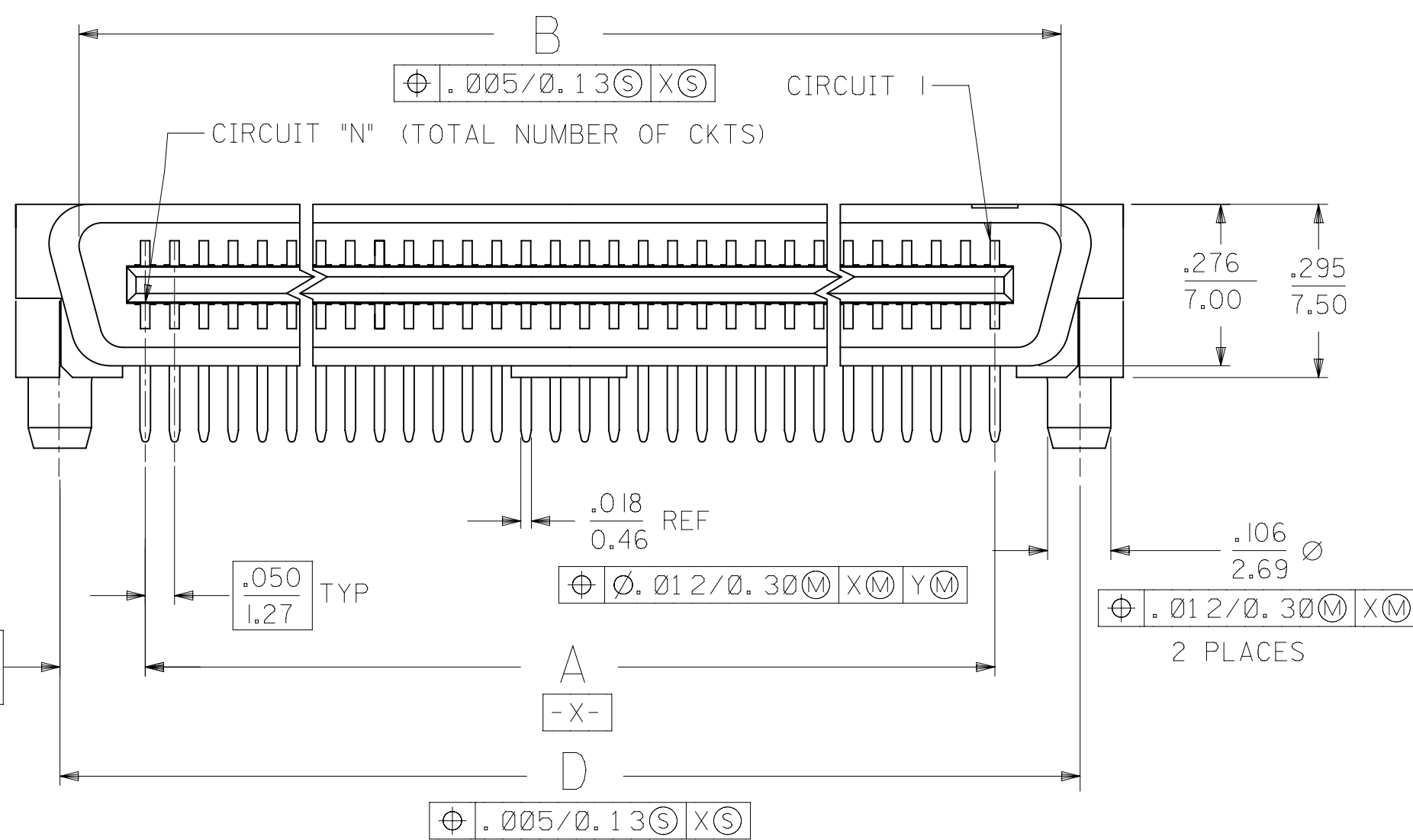
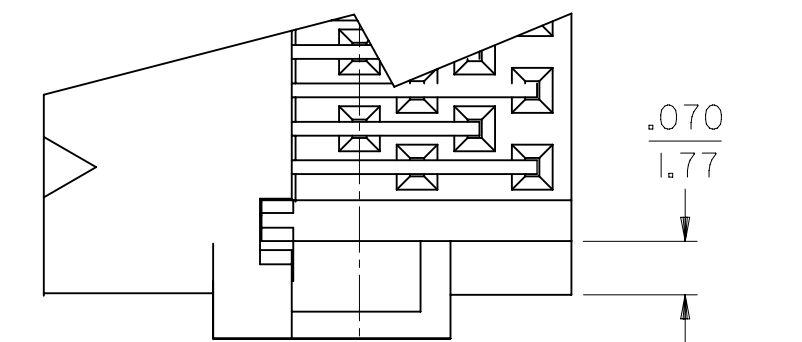
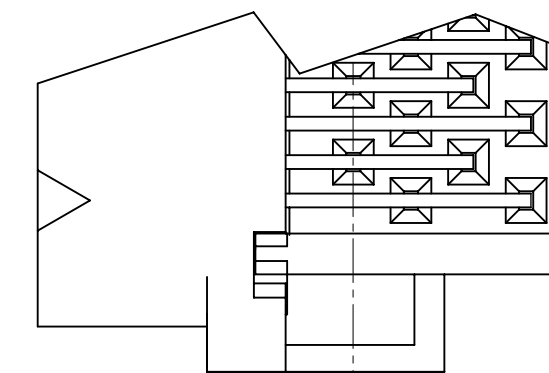
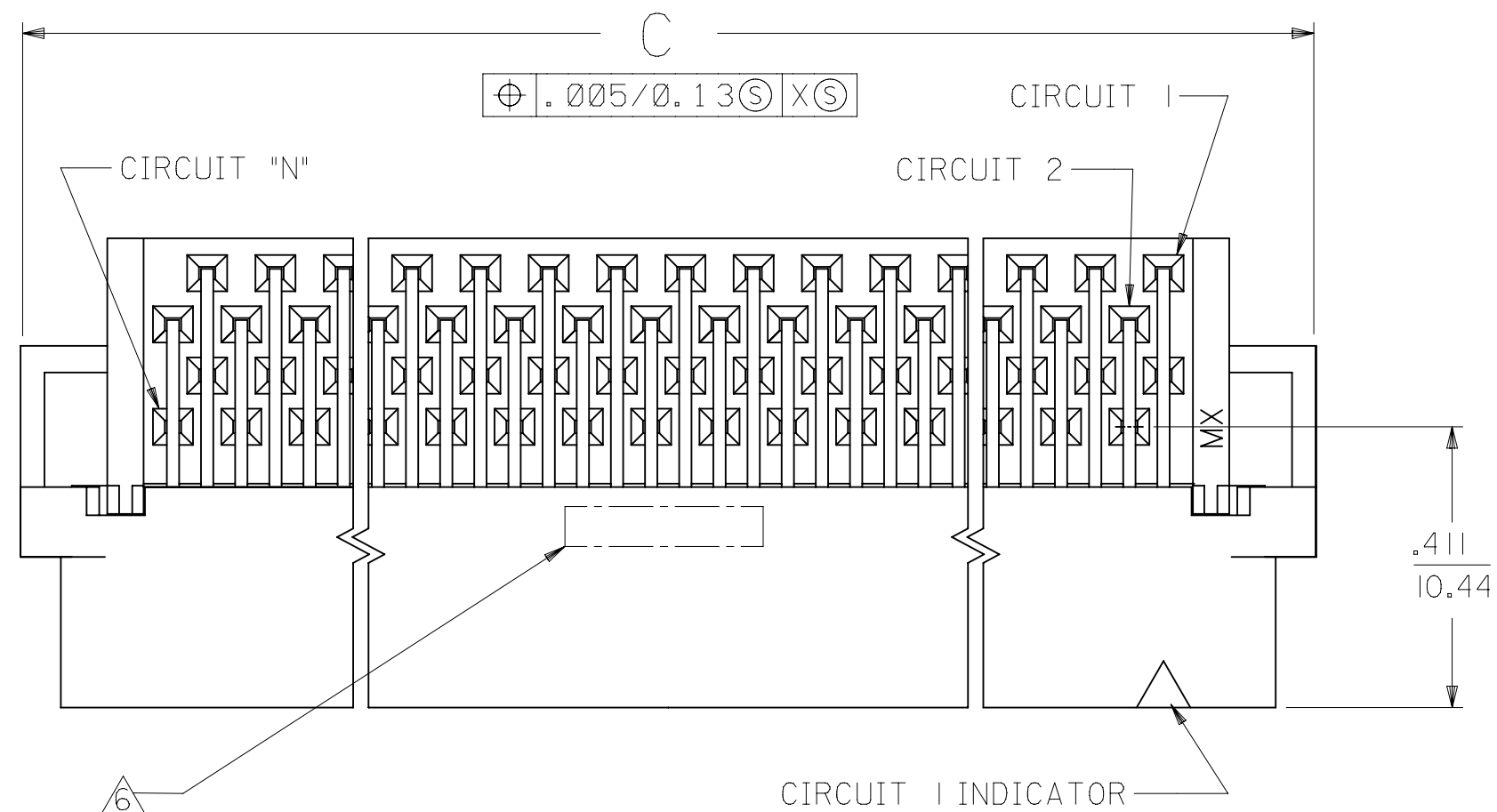
4. CONFORMS TO PRODUCT SPEC: PS-71660

5. RECOMMENDED PC BOARD THICKNESS IS .062/1.60

6. FOUR DIGIT DATE CODE (WK, YR) EXAMPLE 26 96 LOCATED IN AREA SHOWN

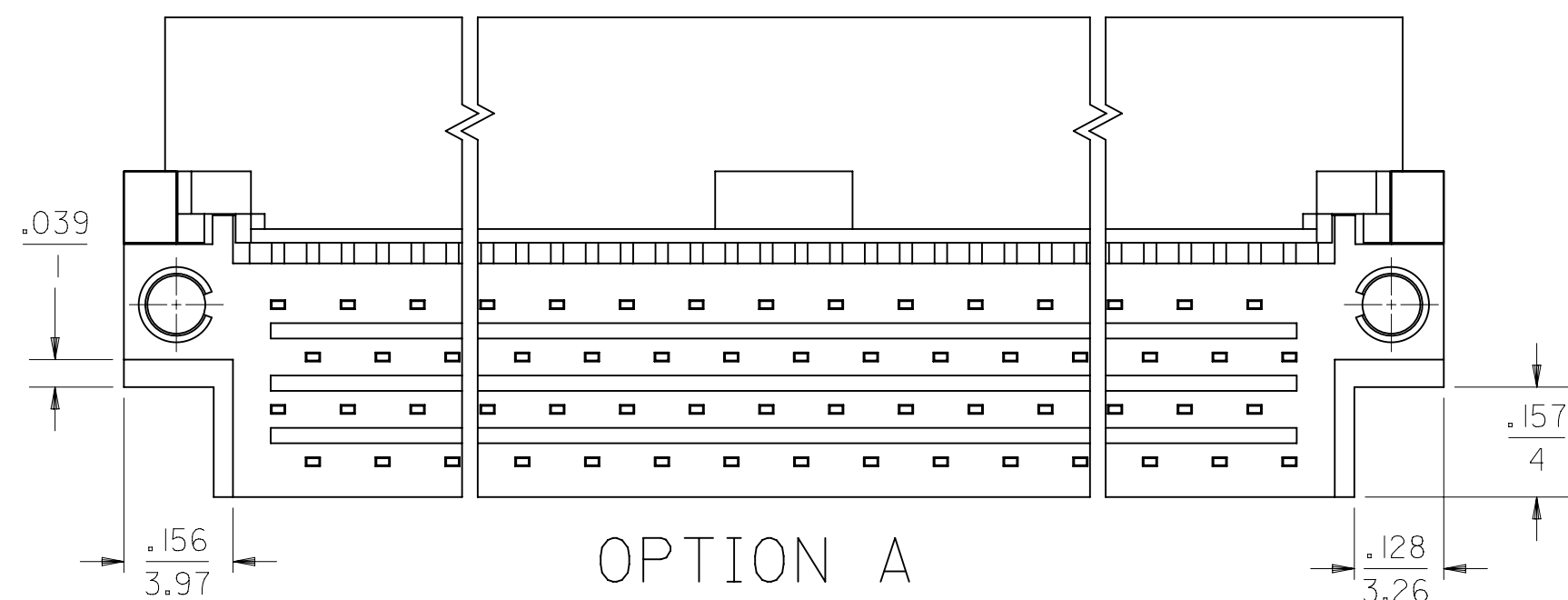
7. TOOLING STATUS: "X" INDICATES NO TOOLING AVAILABLE

CONTACT FACTORY FOR FURTHER INFORMATION

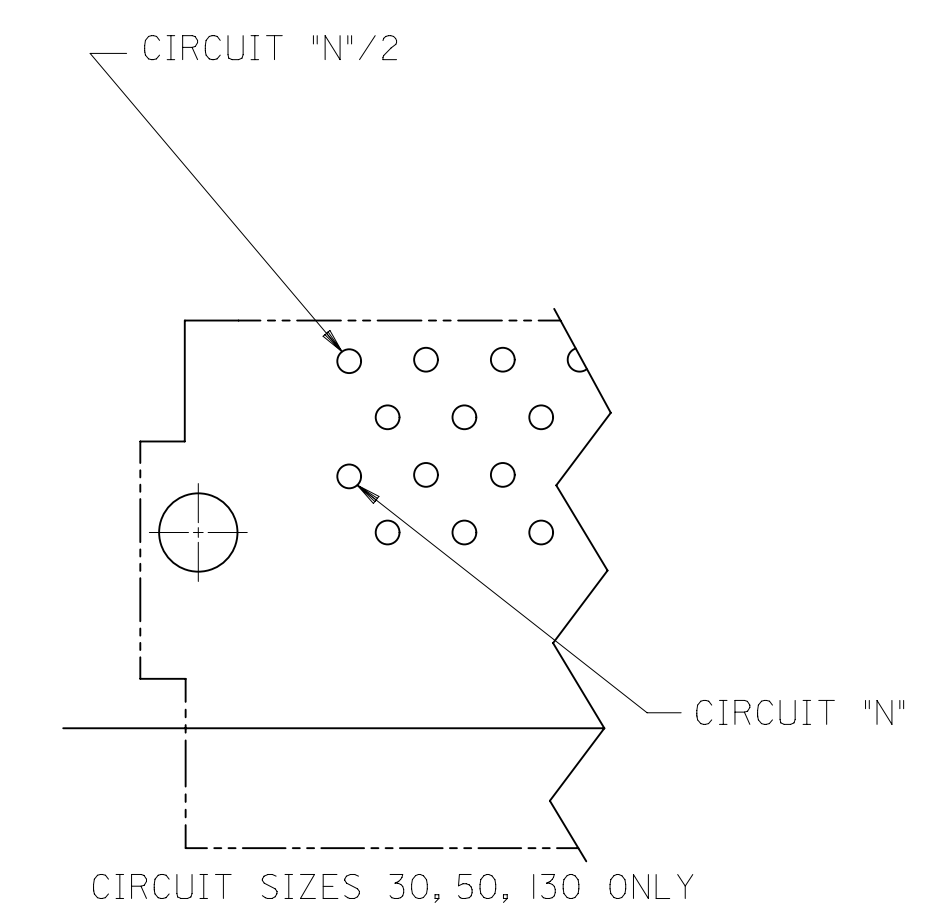
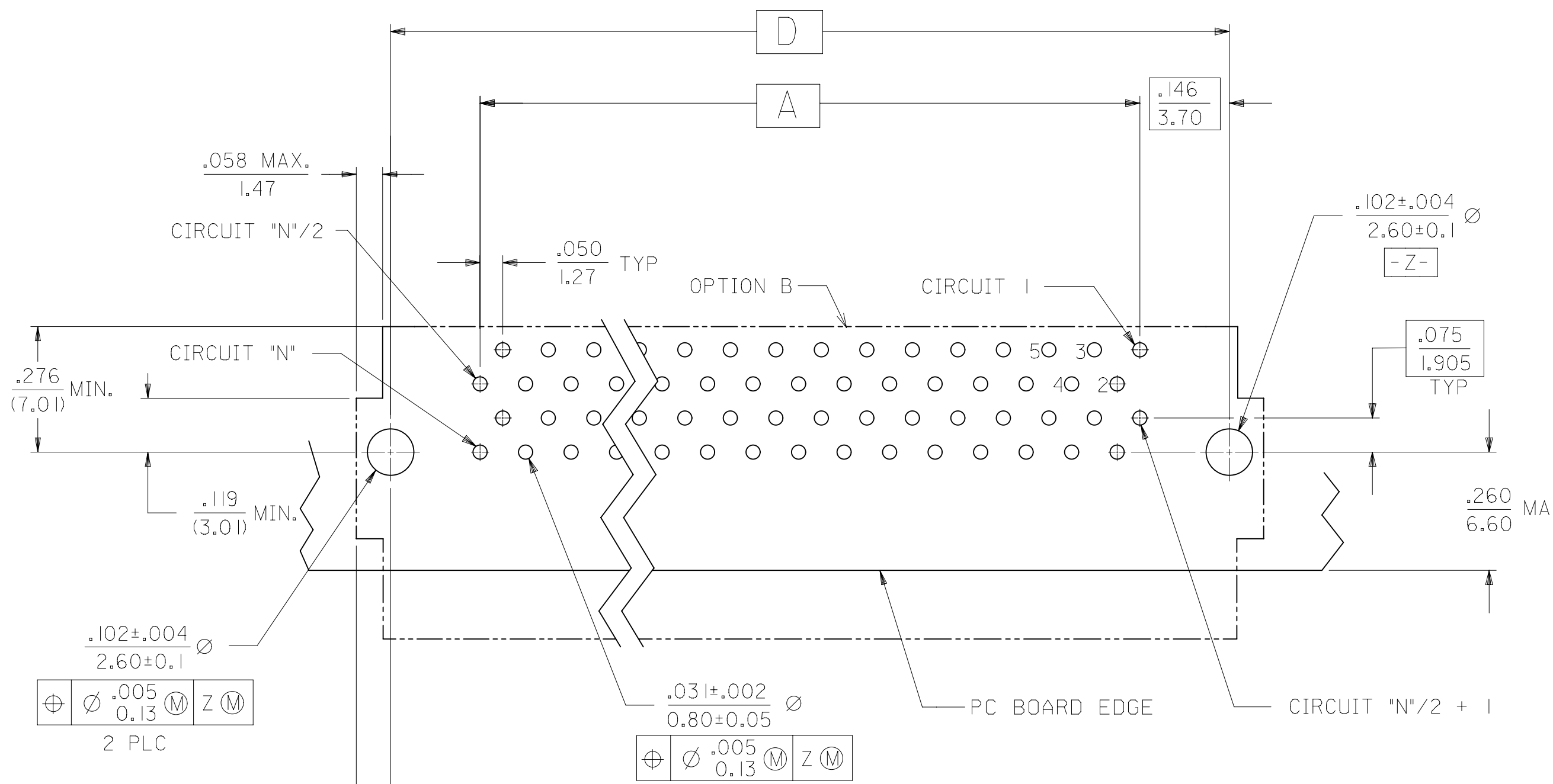


END DETAIL
OPTION A
(BOTH ENDS)

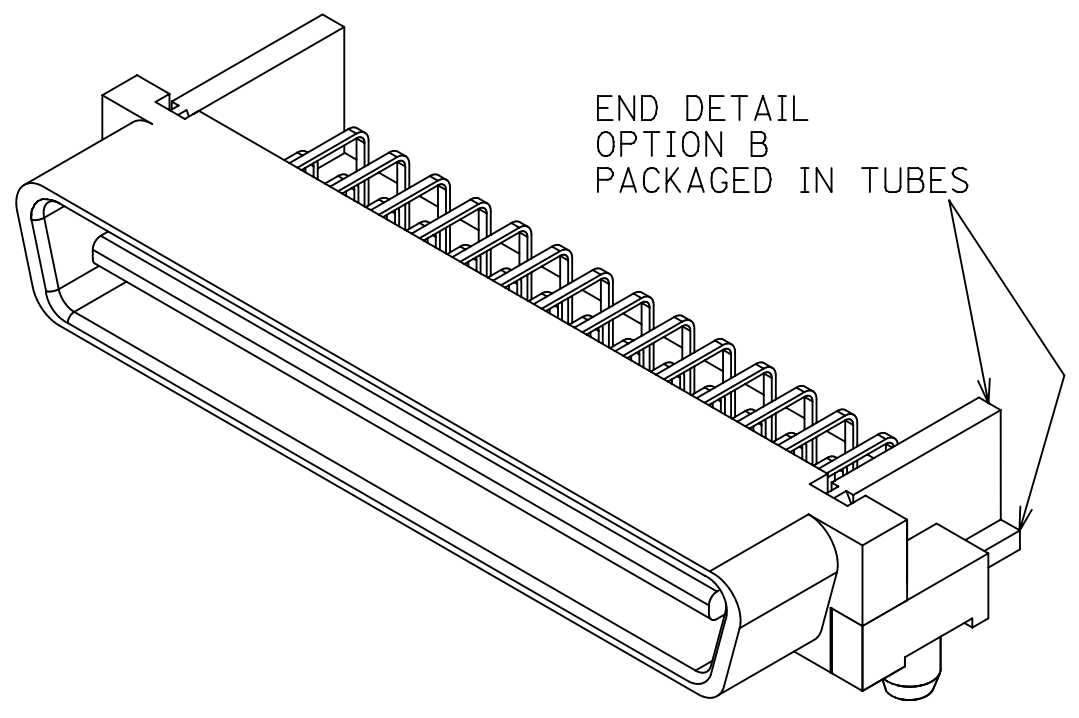
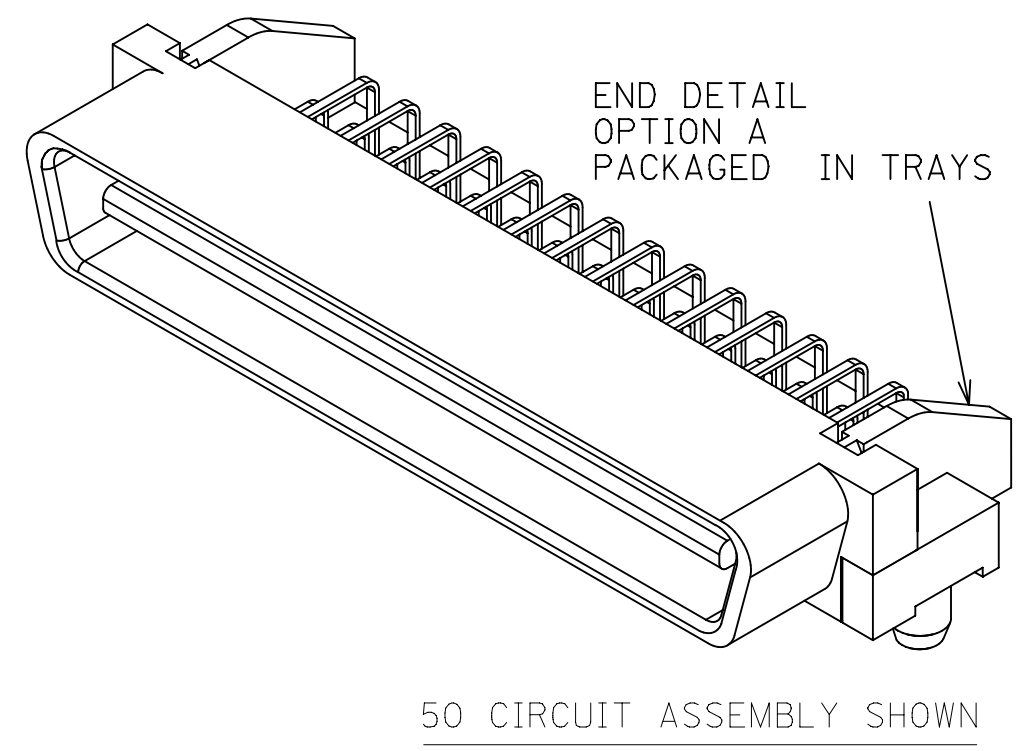
END DETAIL
OPTION B
(BOTH ENDS)




THIS DRAWING CONTAINS INFORMATION THAT IS PROPRIETARY TO MOLEX ELECTRONIC TECHNOLOGIES, LLC AND SHOULD NOT BE USED WITHOUT WRITTEN PERMISSION									
DIMENSION UNITS		SCALE		CURRENT REV DESC: OBSOLETE PART NUMBER					
IN/MM		4:1							
GENERAL TOLERANCES (UNLESS SPECIFIED)									
		MM	INCH	EC NO: 644856 DRWN: RPRABHUM 2020/07/15 CHK'D: GGA 2020/10/07 APPR: GGA 2020/10/07					
4 PLACES		±	±	PRODUCT CUSTOMER DRAWING					
3 PLACES		±	± 0.01	DOCUMENT NUMBER					
2 PLACES		± 0.25	±	SDA-71661-2XXX					
1 PLACE		±	±	DOC TYPE DOC PART REVISION					
0 PLACES		±	±	PSD 001 R					
ANGULAR TOL		± 0.5°		MATERIAL NUMBER					
DRAFT WHERE APPLICABLE MUST REMAIN WITHIN DIMENSIONS		THIRD ANGLE PROJECTION		DRAWING		SERIES		CUSTOMER	
				C-SIZE		71661		GENERAL MARKET	
								SHEET NUMBER	
								1 OF 2	



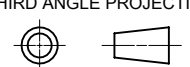
RECOMMENDED PC BOARD LAYOUT 
COMPONENT SIDE



TRAY PACK
 PER SPEC.
 PK-70873-084*
 END DETAIL
 OPTION "A"

.110 (2.79)	2.741 (69.63)	2.892 (73.45)	2.676 (67.97)	2.450 (62.23)	100	71661-2100
	1.941 (49.31)	2.092 (53.13)	1.875 (47.65)	1.650 (41.91)	68	71661-2068
	1.491 (37.88)	1.642 (41.70)	1.426 (36.22)	1.200 (30.48)	50	71661-2050
	1.241 (31.53)	1.392 (35.35)	1.176 (29.87)	.950 (24.13)	40	71661-2040
	.991 (25.18)	1.142 (29.00)	.925 (23.52)	.700 (17.78)	30	71661-2030
E	D	C	B	A	CKT ("N")	 ITEM NUMBER

THIS DRAWING CONTAINS INFORMATION THAT IS PROPRIETARY TO MOLEX ELECTRONIC TECHNOLOGIES, LLC AND SHOULD NOT BE USED WITHOUT WRITTEN PERMISSION

DIMENSION UNITS IN/MM	SCALE 4:1	CURRENT REV DESC: OBSOLETE PART NUMBER		molex		
GENERAL TOLERANCES (UNLESS SPECIFIED)		EC NO: 644856				
4 PLACES ±	±	DRWN: RPRABHUM		2020/07/15		
3 PLACES ±	± 0.01	CHK'D: GGA		2020/10/07		
2 PLACES ±	0.25 ±	APPR: GGA		2020/10/07		
1 PLACE ±	±	INITIAL REVISION:		PRODUCT CUSTOMER DRAWING		
0 PLACES ±	±	DRWN: RAN		DOCUMENT NUMBER		DOC TYPE DOC PART REVISION
ANGULAR TOL ± 0.5 °		APPR: CAB		1993/02/23		SDA-71661-2XXX PSD 001 R
DRAFT WHERE APPLICABLE MUST REMAIN WITHIN DIMENSIONS	THIRD ANGLE PROJECTION	DRAWING	SERIES	MATERIAL NUMBER	CUSTOMER	SHEET NUMBER
		C-SIZE	71661	SEE TABLE	GENERAL MARKET	2 OF 2