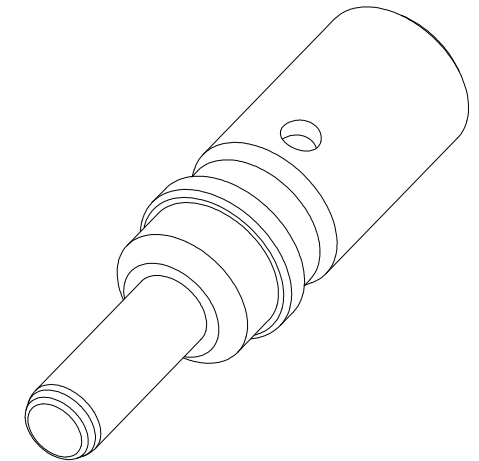
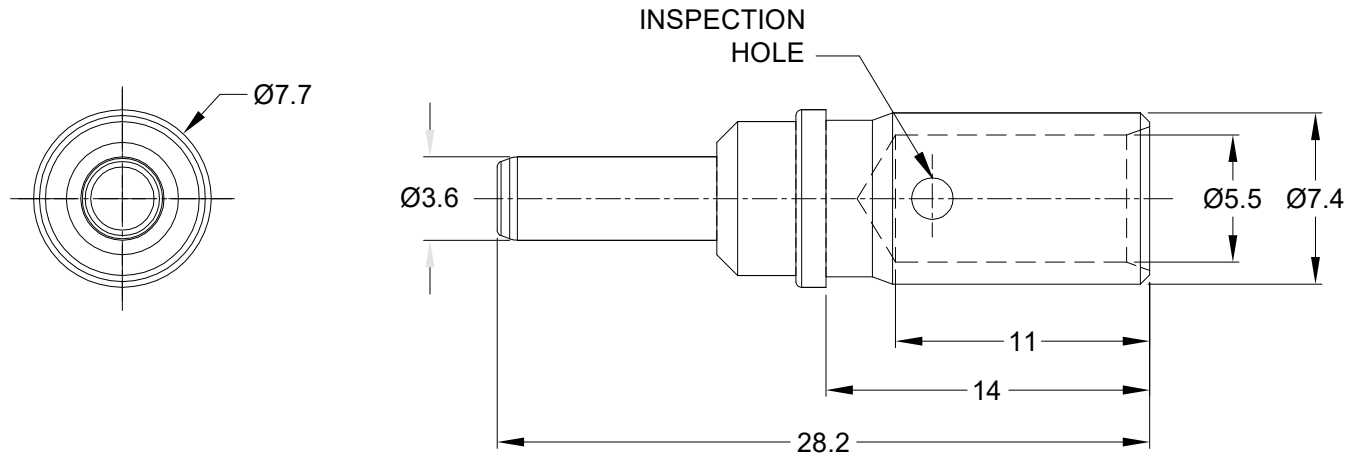


| REVISIONS | | | | | |
|-----------|-----|---------------------|---------|-----|-------|
| REV | ECO | DESCRIPTION | DATE | BY | APPR |
| A1 | - | RELEASE NEW DRAWING | 02MAR21 | IAN | TOMMY |



NOTES: UNLESS OTHERWISE SPECIFIED

1. MATERIAL: COPPER ALLOY,NICKEL PLATED
2. CONTACT SIZE: 8#
3. SPECIFICATIONS:
 - 3.1 CURRENT RATING: 60 AMP
 - 3.2 CONTACT MILLIVOLT DROP: 60 MILLIVOLT DROP @ 60 AMP TEST CURRENT.
 - 3.3 ROHS COMPLIANT
4. RECOMMENDED WIRE RANGE: 6AWG(16.0-13.0mm²)
5. AVAILABLE PNEUMATIC CRIMP TOOL: WA23
6. ALL DIMENSIONS ARE FOR REFERENCE USE ONLY

TITLE: CONTACT,PIN,SIZE 8,16MM² WIRE RANGE,NICKEL PLATED
 DWG NO.: AT60-204-08141-16
 REV: A1
 SH: 1
 OF: 1

| | | | | |
|--|------|---|----------|------|
| AT60-204-08141-16 | | DESCRIPTION | | ITEM |
| PART NUMBER | | DESCRIPTION | | ITEM |
| QUANTITY MATERIALS LIST | | | | |
| UNLESS OTHERWISE SPECIFIED 1) All dimensions are in metric(mm). 2) Tolerances are as follows: 1 PL DEC ±0.30 Fractions ±1/64 2 PL DEC ±0.15 Angles ±1° 3 PL DEC ±0.08 3) Note reference = | | | | |
| SIGNATURES | | DATE | | |
| DRAWN: IAN | | 02MAR21 | | |
| CHECKED: ORION | | 03MAR21 | | |
| ENGINEER: | | | | |
| APPROVAL: TOMMY | | 04MAR21 | | |
| CUSTOMER: | | | | |
| MATERIAL SPECIFICATIONS: | | | | |
| PROCESS SPECIFICATIONS: | | | | |
| NEXT ASSY: | | | | |
| THIS DRAWING IS SUPPLIED FOR INFORMATION ONLY. DESIGN FEATURES, SPECIFICATIONS AND PERFORMANCE DATA SHOWN HEREON ARE THE PROPERTY OF THE AMPHENOL CORPORATION. NO RIGHTS OF REPRODUCTION ARE IMPLIED. ALL DIMENSIONS ARE SUBJECT TO NORMAL MANUFACTURING VARIATIONS. | | | | |
| Amphenol Sine Systems - www.amphenol-sine.com 44724 Morley Drive Clinton Township, MI 48036 | | CONTACT,PIN,SIZE 8, 16MM² WIRE RANGE,NICKEL PLATED | | |
| SIZE | TYPE | DWG NO. | REVISION | |
| B | C- | AT60-204-08141-16 | A1 | |
| SCALE | NONE | SHEET 1 OF 1 | | |