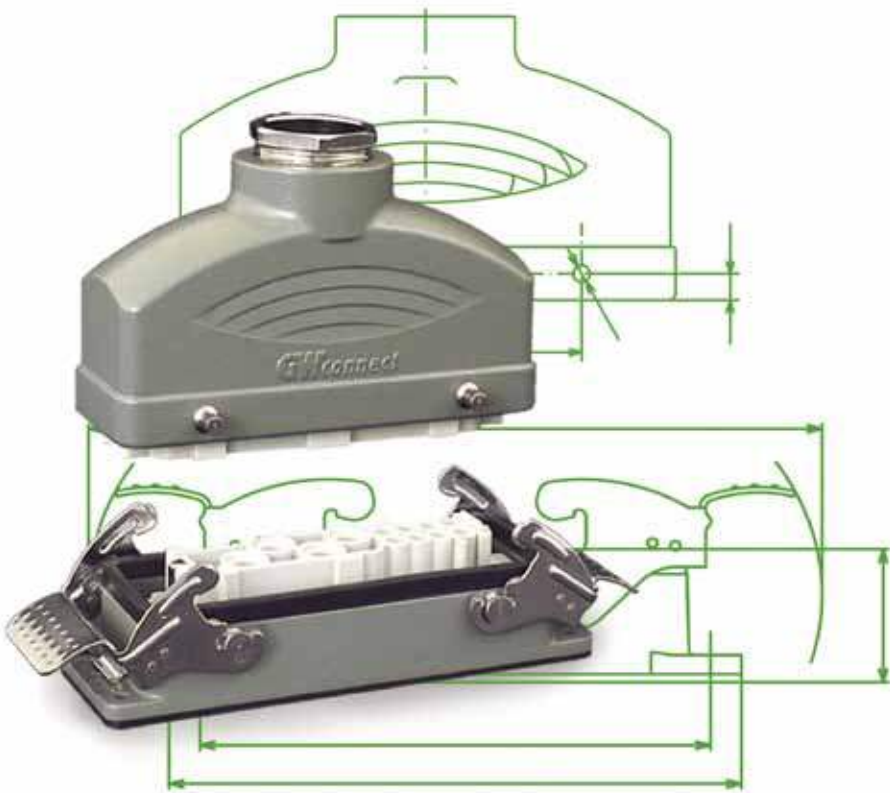


HEAVY DUTY CONNECTORS > FOR INDUSTRIAL APPLICATIONS



Find the Latest Innovations and Information **at molex.com**

For the most in-depth and up-to-date information on all our products, visit molex.com. It's designed to help you get more done in less time with advanced search capabilities, 3D models, product specifications, easy sample ordering and more.



molex.com provides a first stop for comprehensive overviews of our industrial products. Some of the tools you'll find are:

Capabilities Videos

Short online videos highlight key industry products, as well as our unique cross-functional design and manufacturing capabilities.

Featured Products

To find out about new products that can take your design to the next level, look no further than this convenient product spotlight.

Other Time-Saving Site Features

Monthly E-ouncements

Electronic newsletter keeps you up-to-date on our latest innovations

Favorite Products Feature

Let you select and save up to 200 products as you browse

New Videos, Webinars, Articles and More

Available right from our home page

Detailed Application Pages

Instant Access to Product Specs

molex[®]

GWconnect[®]

**Multipole Industrial Connectors
Heavy Duty Connectors**

Connettori Multipolari Industriali

Catalogue 6








Contents - Sommario	Pages-Pagine
- Contents <i>Sommario</i>	00.01 - 00.03
- Quick index <i>Indice veloce</i>	00.04
- General characteristics <i>Caratteristiche generali</i>	00.05 - 00.11
- Inserts electrical engineering data <i>Caratteristiche elettriche degli inserti</i>	00.12 - 00.48
- Inserts: Conductor connections - Termination <i>Inserti: Connessione dei conduttori - Terminali</i>	00.49 - 00.56
- Inserts technical characteristics summary. DESINA. EUROMAP <i>Sommario caratteristiche tecniche degli inserti. DESINA. EUROMAP</i>	00.57 - 00.63
- Standards and certifications for connectors in railways applications <i>Norme e certificazioni per connettori in applicazioni in ambito ferroviario</i>	00.64
- Enclosures and Cable glands: General characteristics <i>Custodie e pressacavi: Caratteristiche generali</i>	00.65 - 00.75
- EC Declaration of conformity - NEMA 250 Declaration of conformity - ISO 9001 Intertek Declaration <i>Dichiarazione di conformità CE - Dichiarazione di conformità secondo NEMA 250 - ISO 9001 Dichiarazione Intertek</i>	00.76 - 00.82
- S-A series, size A «21x21», 10A - 230V/400V / 4kV / 3, 3-4 poles inserts, screw terminals <i>Inserti serie S-A, grandezza A «21x21». 10A-230V/400V / 4KV / 3, 3-4 poli, terminali a vite</i>	01.00 - 01.02
- S-A series inserts, 16A - 250V / 4kV / 3, 10 + 32p - screw and crimp terminals <i>Inserti serie S-A, 16A-250V / 4KV / 3, 10 + 32p - terminali a vite ed a crimpare</i>	01.03 - 01.10
- S-D series, inserts, 10A - 250V / 4kV / 3, 7-128 poles - crimp terminals <i>Serie S-D, inserti, 10A - 250V / 4kV / 3, 7-128 poli - terminali a crimpare</i>	01.11 - 01.26
- S-D series, size 3A«21x21», 10A - 50V / 0,8kV / 3, 8 poles - inserts with crimp terminals <i>Serie S-D, grandezza 3A«21x21», 10A - 50V / 0,8kV / 3, 8 poli - inserti con terminali a crimpare</i>	01.15 - 01.16
- S-DD series, 10A - 250V / 4kV / 3, 24-216 poles inserts - crimp terminals <i>Serie S-DD, 10A - 250V / 4kV / 3, inserti 24-216 poli - terminali a crimpare</i>	01.27 - 01.36
- S-E, S-EC series, 16A - 500V / 6kV / 3, 6-48 poles inserts - screw and crimp terminals <i>Serie S-E, S-EC, inserti 16A-500V / 6kV / 3, 6-48 poli - terminali a vite e a crimpare</i>	02.00 - 02.14
- S-ES series, 16A - 500V / 6kV / 3, 6-48 poles inserts - with spring terminals <i>Serie S-ES, inserti 16A-500V / 6kV / 3, 6-48 poli - con terminali a molla</i>	02.15 - 02.22
- S-EP series, 16A - 500V / 6kV / 3, 6-48 poles inserts - Push in terminals <i>Serie S-EP, inserti 16A-500V / 6kV / 3, 6-48 poli - con terminali Push in</i>	02.23 - 02.29
- S-EST series, 16A - 500V / 6kV / 3, 6-48 poles inserts, screw terminals <i>Serie S-EST, inserti 16A-500V / 6kV / 3, 6-48 poli - con terminali a vite</i>	02.30 - 02.37
- S-EE series, 16A - 500V / 6kV / 3, 10-92 poles inserts - high density, crimp terminals <i>Serie S-EE, inserti 16A-500V / 6kV / 3, 10-92 poli - alta densità, con terminali a crimpare</i>	02.38 - 02.46
- S-EEE series, 16A - 500V / 6kV / 3, 40-64 poles inserts, high density crimp terminals <i>Serie S-EEE, inserti 16A-500V / 6kV / 3, 40-64 poli - alta densità con terminali a crimpare</i>	02.47 - 02.50
- S-EAV series, 16A - 500V / 6kV inserts, 6-24 poles - with screw terminals block <i>Serie S-EAV, inserti 16A-500V, 6-24 poli - con morsettiera a vite</i>	03.01 - 03.11

Contents - Sommario	Pages-Pagine
- S-EHV series, 16A - 830V inserts - screw and crimp terminals <i>Serie S-EHV, inserti 16A-830V - terminali a vite e a crimpare</i>	04.01 - 04.15
- S-ESHV series, 16A - 830V / 8 kV / 3 inserts - with spring terminals <i>Serie S-ESHV, inserti 16A - 830V / 8kV / 3 - con terminali a molla</i>	04.16 - 04.21
- S-HSB series, 35A - 830V / 6kV / 3 inserts - screw terminals <i>Serie S-HSB, inserti 35A-830V / 6kV / 3 - terminali a vite</i>	05.01 - 05.03
- S-K8/24 series, 8p - 16A 230/400V + 24px10A 160V inserts - crimp terminals <i>Serie S-K 8/24, inserti 8p - 16A 230/400V + 24px10A 160V - terminali a crimpare</i>	06.01 - 06.02
- S-K12/2 series, 12p - 40A 690V + 2px10A 250V inserts - crimp terminals <i>Serie S-K 12/2, inserti 12p - 40A 690V + 2px10A 250V - terminali a crimpare</i>	06.03 - 06.04
- S-K6/36 series, 6p - 40A 690V + 36px10A 160V inserts - crimp terminals <i>Serie S-K 6/36, inserti 6p - 40A 690V + 36px10A 160V - terminali a crimpare</i>	06.05 - 06.06
- S-K series, inserts with combined 80A power and 16A signal contacts <i>Serie S-K, inserti combinati con contatti di potenza da 80A e segnale da 16A</i>	06.07 - 06.10
- S-K6/6 series, 6p - 100A 690V + 6px16A 400V inserts - crimp terminals <i>Serie S-K 6/6, inserti 6p - 100A 690V + 6px16A 400V - terminali a crimpare</i>	06.11 - 06.12
- S-Q series inserts, size 3A «21x21» <i>Inserti serie S-Q, grandezza 3A «21x21»</i>	
* S-Q 2/0 40A 400/830V 2p +	07.02 - 07.04
* S-Q 5/0 16A 230/400V / 4kV / 3 - 5p +	07.05 - 07.06
* S-Q 7/0 10A 400V / 6kV / 3 - 7p +	07.07 - 07.08
* S-Q 12 10A 400V / 6kV / 3 - 12p +	07.09 - 07.10
- S-QD series inserts, size «32x13» <i>Inserti serie S-QD, grandezza «32x13»</i>	
* S-QD 8/0, 16A 500V / 6kV / 3-8p +	07.11 - 07.12
* S-QD 17, 10A 250V / 4kV / 3-17p +	07.13 - 07.14
* S-QD 4/2, 4x40A 400/690V power + 2x10A 250V signal contacts	07.15 - 07.16
- Crimp contacts for inserts and modules <i>Contatti a crimpare per inserti e moduli</i>	07.17 - 07.25
- S-DD/PCB, S-E/PCB, S-Q7/PCB series - PCB adapters <i>Serie SDD/PCB, S-E/PCB, S-Q7/PCB - adattatori per circuiti stampati</i>	08.01 - 08.12
- S-IEC series, Industrial Ethernet Cabling <i>Serie S-IEC, Cablaggio Ethernet Industriale</i>	09.00 - 09.27
- S-CX/3A series, shielded circular BUS connectors, size 3A «21x21» <i>Serie S-CX/3A, Connettori BUS circolari schermati, grandezza 3A «21x21»</i>	10.01 - 10.14
- GWconnect ports: power and data connecting interfaces <i>Porte GWconnect: interfacce di collegamento per dati ed alimentazione</i>	11.01 - 11.10
- S-M series: connectors with modular inserts <i>Serie S-M: connettori con inserti modulari</i>	12.01 - 12.65
- Enclosures (hoods/housings). Technical characteristics and applications <i>Custodie. Caratteristiche tecniche ed applicazioni</i>	16.00 - 16.24
- Enclosures (hoods/housings). Size 3A «21x21» STD and HE type <i>Custodie. Grandezza 3A «21x21» tipo STD e HE</i>	17.00 - 17.11
- Hoods/housings STD, HE, EMC type for S-QD inserts, size «32x13» and enclosures for 1 module <i>Custodie tipo STD, HE, EMC per inserti S-QD, grandezza «32x13» e custodie per 1 modulo</i>	18.01 - 18.11
- Hoods/housings STD type size 10A «49x16», 16A «66x16», 32A «66x40» <i>Custodie tipo STD grandezze 10A «49x16», 16A «66x16», 32A «66x40»</i>	20.00 - 20.17
- Hoods/housings STD and STD-HV types sizes 6B, 10B, 16B, 24B, 32B, 48B single locking system (1 lever) <i>Custodie tipo STD e STD-HV grandezze 6B, 10B, 16B, 24B, 32B, 48B chiusura a leva singola (1 leva)</i>	21.00 - 21.22

Contents - Sommario	Pages-Pagine
- Housings STD and STD-HV types sizes 6B,10B, 16B, 24B, with automatic cover <i>Custodie fisse tipo STD e STD-HV grandezze 6B, 10B, 16B, 24B, con coperchio automatico</i>	21.23 - 21.26
- Hoods/housings STD type, sizes 6B, reversed single locking system (1 lever) <i>Custodie tipo STD e STD-HV, grandezze 6B, chiusura rovesciata a leva singola (1 leva)</i>	21.27 - 21.28
- Hoods/housings STD and STD-HV with central locking lever <i>Custodie tipo STD e STD-HV con chiusura a leva singola centrale</i>	21.29 - 21.38
- Hoods/housings STD and STD-HV types sizes 10B, 16B, 24B, 32B double locking system (2 levers) <i>Custodie tipo STD e STD-HV grandezze 10B, 16B, 24B, 32B, chiusura a doppia leva (2 leve)</i>	22.00 - 22.22
- Hoods/housings STD and STD-HV types sizes 10B, 16B, 24B, with double cable entry with 4 pegs for 2 levers <i>Custodie mobili tipo STD e STD-HV grandezze 10B, 16B, 24B, con 2 ingressi cavo con 4 perni per 2 leve</i>	22.14 - 22.26
- Hoods/housings STD and STD-HV types sizes 10B, 16B, 24B, reversed double locking system (2 levers) <i>Custodie tipo STD e STD-HV grandezze 10B, 16B, 24B, chiusura a doppia leva rovesciata (2 leve)</i>	23.00 - 23.18
- Hoods/housings HE type, for harsh environmental requirements, size 10A, 16A, 32A <i>Custodie tipo HE, per ambienti aggressivi, grandezze 10A, 16A, 32A</i>	24.00 - 24.17
- Hoods/housings HE type, for harsh environmental requirements, size 6B,10B, 16B, 24B, 32B, 48B single locking system (1 lever) <i>Custodie tipo HE, per ambienti aggressivi, grandezze 6B, 10B, 16B, 24B, 32B, 48B chiusura a leva singola (1 leva)</i>	25.00 - 25.17
- Hoods/housings HE and HE-HV type, for harsh environmental, with central locking lever, size 10B, 16B, 24B <i>Custodie tipo HE e HE-HV, per ambienti aggressivi, con chiusura a leva singola centrale, grandezze 10B, 16B, 24B</i>	25.18 - 25.21
- Hoods/housings HE and HE-HV type, for harsh environmental requirements, 2 levers, size 10B, 16B, 24B, 32B <i>Custodie tipo HE e HE-HV, per ambienti aggressivi, 2 leve, grandezza 10B, 16B, 24B, 32B</i>	25.22 - 25.42
- Hoods/housings HE and HE-HV type, for harsh environmental, with reversed double locking system, 2 levers, size 10B, 16B, 24B, 32B <i>Custodie tipo HE e HE-HV, per ambienti aggressivi, con sistema di chiusura doppio rovesciato, 2 leve, grandezze 10B, 16B, 24B, 32B</i>	26.01 - 26.14
- Hoods/housings EMC type, for EMC applications <i>Custodie tipo EMC, per applicazioni dove è richiesta la compatibilità elettromagnetica</i>	27.00 - 27.30
- High performance HP-HE / HP-EMC enclosures <i>Custodie HP-HE / HP-EMC ad alte prestazioni</i>	30.01 - 30.15
- Complete sets male+female connectors <i>Connettori completi maschio+femmina</i>	40.00 - 40.07
- Cable glands, fittings and accessories <i>Pressacavi, raccordi ed accessori</i>	50.00 - 50.24
- Accessories and spare parts - Bush terminals <i>Accessori e parti di ricambio - Terminali a tubetto</i>	55.01 - 55.24
- Tools <i>Attrezzi</i>	60.01 - 60.11
- Display case <i>Valigetta per campionario</i>	81.00
- Tailored customer service <i>Servizio clienti personalizzato</i>	81.01 - 81.02
- Abbreviations and acronyms <i>Abbreviazioni ed acronimi</i>	83.01 - 83.06
- Important notes, General conditions <i>Avvertenze, Condizioni generali</i>	85.01 - 85.02
- Part number index <i>Indice dei codici</i>	90.01 - 90.19

Description - Descrizione	Series - Serie	Pages - Pagine
Technical characteristics		00.01 - 00.84
Small size connector inserts up to 16A	S-A3/4, S-A, S-AC	01.00 - 01.10
Connector inserts high density up to 216 contacts. Nominal current 10A	S-D, S-DD	01.11 - 01.36
Connector inserts size B up to 48 contacts. Nominal current 16A	S-E, S-EC, S-ES, S-EP, S-EST, S-EE, S-EEE	02.00 - 02.50
Connector inserts with terminal block. Nominal current 16A	S-EAV	03.01 - 03.11
Connector inserts for high voltage 830V. Nominal current 16A	S-EHV, S-ESHV	04.01 - 04.21
Connector inserts for higher currents. Nominal current 35A	S-HSB	05.01 - 05.03
Combination connector inserts. Power contacts up to 100A	S-K8/24, S-K12/2, S-K6/36, S-K6/6	06.01 - 06.12
Small size connector inserts «21x21»	S-Q2/0, S-Q5/0, S-Q7/0, S-Q12/0	07.01 - 07.10
Small size connector inserts «32x13»	S-QD8/0, S-QD17/0, S-QD4/2	07.11 - 07.16
Crimp contacts for inserts and modules from 5A to 200A		07.17 - 07.25
Connector inserts for PCB. PCB adapters	S-DD, /PCB, S-E/ PCB, S-Q7/PCB	08.01 - 08.12
Industrial Ethernet cabling	S-IEC	09.00 - 09.27
Shielded circular BUS connectors size «21x21»	S-CX/3A, S-CX/4, S-CX/8, S-CX/75, S-CX/50	10.01 - 10.14
GWconnect ports: power and data connecting interfaces		11.01 - 11.10
Connectors with Modular Inserts	S-M	12.01 - 12.65
Enclosures: Technical characteristics and applications	STD, HE, HP-HE, EMC, HP-EMC	16.00 - 16.24
Size S-A «21x21» hoods/housings	STD, HE	17.00 - 17.11
Size S-A «32x13» hoods/housings and enclosures for 1 module	STD	18.01 - 18.11
Size 10A «49x16», 16A «66x16», 32A «66x40» hoods/housings	STD, STD-HV	20.00 - 20.17
Size B, single locking system, hoods/housings	STD, STD-HV	21.00 - 21.34
Size B, double locking system, hoods/housings	STD, STD-HV	22.00 - 22.22
Size B, reversed double locking system, hoods/housings	STD, STD-HV	23.00 - 23.18
Size A, hoods/housings for harsh environment	HE	24.01 - 24.17
Size B, hoods/housings for harsh environment	HE, HE-EHV	25.00 - 25.42 26.01 - 26.14
EMC type hoods/housings	EMC	27.00 - 27.30
High performance HP-HE, HP-EMC type hoods/housings	HP-HE, HP-EMC	30.01 - 30.15
Complete set of female + male connectors		40.00 - 40.07
Cable glands and accessories		50.00 - 50.24
Accessories for connectors		55.01 - 55.24
Tools		60.01 - 60.11
Miscellaneous		81.00 - 90.18

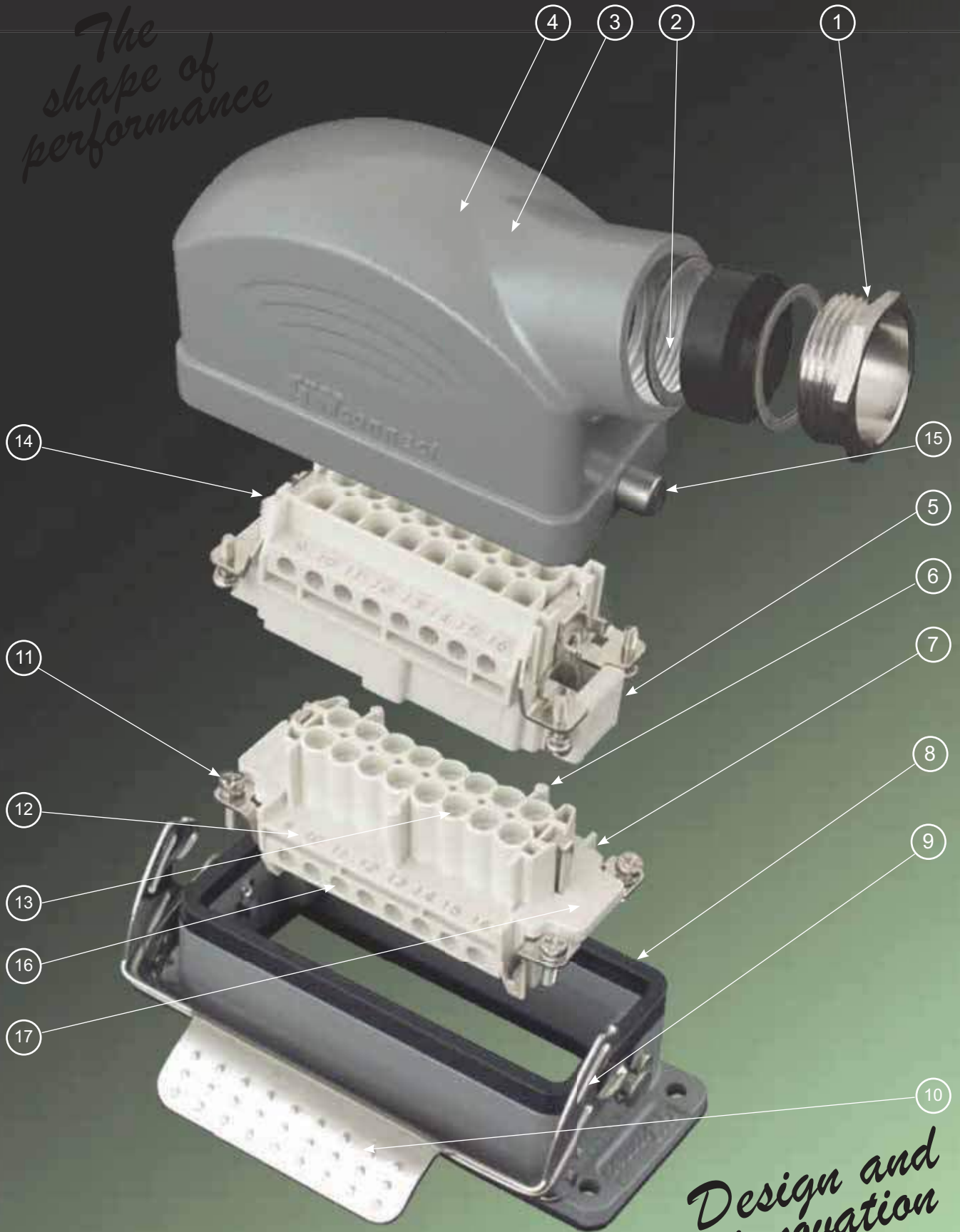
General characteristics	Caratteristiche generali
<p>The multipole connectors for industrial purposes are used in electric and electronic machinery, robots, electric panels, control equipments and wherever connections are required for power, control and signal circuits.</p> <p>The connectors are designed for heavy-duty industrial applications. They are suitable for use with alternate or direct current and facilitate the manufacturing process, installation and maintenance of sectional electric parts in complex machinery in accordance with European Standard EN 60204-1: Safety of machinery - Electrical equipments of machines.</p> <p>Referring standards:</p> <p>EN 61984: Connectors safety requirements and tests</p> <p>VDE 0627: Connectors (DIN VDE 0627)</p> <p>IEC/EN 60664-1: Insulation coordination for equipment within low-voltage systems</p> <p>EN 175 301-801: High density rectangular connectors, round removable crimp contacts</p> <p>EN 60947-7-1: Low-voltage switchgear and controlgear. Ancillary equipments - Terminal blocks for copper conductors</p> <p>EN 60352-2: Solderless connections: Part 2 - crimped connections</p> <p>EN 60512: Connectors for electronic equipments. Tests and measurements</p> <p>UL 1977: Component connectors for use in data, signal, control and power applications</p> <p>CSA: C22.2 No.182.3 Canadian Standard special use attachment, plugs, receptacles and connectors</p> <p>EN 60423: Conduits for electrical purposes. Outside diameters of conduits for electrical installations and thread for conduits and fittings</p> <p>EN 50262: Metric cable glands for electrical installation</p> <p>EN 60529: Degree of protection provided by enclosures (IP degree)</p> <p>NEMA 250: National (USA) Electrical Manufacturers Association. Class (Type) of protection.</p> <p>ANSI/UL 50: Enclosures for electrical equipment, non environmental consideration</p> <p>ANSI/UL 50 E: Enclosures for electrical equipment, environmental consideration</p> <p>CSA C22.2 No.94-1-2: Special purpose enclosures.</p> <p>NMX-J235/1-2: ANCE: Association of Standardization and Certification (USA) Special purpose enclosures</p>	<p><i>I connettori multipolari per impieghi industriali vengono utilizzati nei comparti elettrici ed elettronici di macchine e robots, quadri elettrici, apparecchiature di controllo ed ovunque siano richieste connessioni sezionabili per circuiti di potenza, di comando e segnalazione. I connettori sono progettati per l'impiego in applicazioni industriali pesanti, per l'uso sia in corrente alternata che in continua. Facilitano la costruzione, l'installazione e la manutenzione dell'equipaggiamento elettrico di macchinari complessi in conformità con la Norma Europea EN 60204-1: Sicurezza del macchinario - Equipaggiamento elettrico della macchina.</i></p> <p>Norme di riferimento:</p> <p>EN 61984: Connettori. prescrizioni di sicurezza e prove.</p> <p>VDE 0627: Connettori (DIN VDE 0627)</p> <p>IEC/EN 60664-1: Coordinamento dell'isolamento per le apparecchiature nei sistemi a bassa tensione</p> <p>EN 175 301-801: Connettori rettangolari ad alta densità con contatti rotondi disinseribili a crimpare</p> <p>EN 60947-7-1: Apparecchiature a bassa tensione. Apparecchiature ausiliarie-Morsetti componibili per conduttori di rame</p> <p>EN 60352-2: Connessioni senza saldatura Parte 2: connessioni a crimpare</p> <p>EN 60512: Connettori per apparecchiature elettroniche. Prove e misure.</p> <p>UL1977: Connettori per dati, segnalazione, controllo e potenza</p> <p>CSA: C22.2 No.182.3 Norma canadese Connettori, spine e prese per usi particolari</p> <p>EN 60423: Tubi per installazioni elettriche. Diametri esterni dei tubi, filettature per tubi e raccordi</p> <p>EN 50262: Pressacavi metrici per installazioni elettriche</p> <p>EN 60529: Gradi di protezione degli involucri (gradi IP)</p> <p>NEMA 250: National (USA) Electrical Manufacturers Association. Classi (Type) di protezione.</p> <p>ANSI/UL 50: Custodie per apparecchiature elettriche. Verifiche non ambientali</p> <p>ANSI/UL 50 E: Custodie per apparecchiature elettriche. Verifiche ambientali.</p> <p>CSA C22.2 No.94-1-2: Custodie per impieghi speciali.</p> <p>NMX-J235/1-2: ANCE: Associazione per la standardizzazione e la certificazione (USA): Custodie per impieghi speciali</p>

General characteristics	Caratteristiche generali
<p>DIN 40050-9 / ISO 20653: Electrical equipments in road vehicles. Enclosures. Water test with high pressure. IP69.</p> <p>NEMA ICS5: Food and beverage industries. High pressure power wash test procedure for self contained control-circuit devices.</p>  <p>Connectors compliant with DESINA® standard</p> <p>DESINA® (Distributed and Standardized INstAllation technology) is an innovative installation system studied by the German manufacturers of machine tools association (VDW), with the cooperation of users (including German automotive manufacturers) and component manufacturers, which has led to the introduction of a specification aimed to standardize electrical, hydraulic and pneumatic components and their interconnection on common platform for CNC controlled machine tools and manufacturing lines. The DESINA® specification has been enclosed into ISO TC 184/SC1 "Industrial automation systems and integration / Physical device control" as an ISO standard.</p> <p>The ISO standards are the following:</p> <p>ISO 23570-1: Industrial automation systems and integration - Distributed installation in industrial applications: Part 1 - Sensors and actuators.</p> <p>ISO 23570-2: Industrial automation system and integration. Distributed installation in industrial applications. Part 2: Hybrid communication bus</p> <p>ISO 23570-3: Industrial automation system and integration. Distributed installation in industrial applications. Part 3: Power distribution bus</p> <p>EUROMAP Recommendations:  The inserts and the relevant enclosures meet the EUROMAP Recommendations (European Committee of machinery manufacturers for the plastic and rubber industry) EUROMAP 12, 13, 14, 16, 67, 67.1, 71</p> <p>Approvals:</p> <p>The connectors are designed and manufactured to conform with EN 61984, EN 175 301-801, UL 1977 and CSA C22.2 182.3 standards.</p> <p>The enclosures are designed in conformance with UL 50, UL 50 E and CSA C22.2 No. 94-1-2 Inserts and enclosures are certified and labelled with the UL and CSA marks: file E249674</p> <p>The Molex connectors are therefore in conformance with both European/ International and American system. This permits them to be used in a wider range of applications worldwide.</p>  UL File No. E249674  CSA Master Contract No. 256883	<p>DIN 40050-9 / ISO 20653: <i>Apparati elettrici per veicoli. Cassette. Prove con getti d'acqua ad alta pressione. IP69.</i></p> <p>NEMA ICS5: <i>Industria alimentare. Procedure di prova di lavaggio ad alta pressione per circuiti di controllo protetti da contenitori.</i></p>  <p>Connettori per lo standard DESINA®</p> <p>DESINA® (abbreviazione di Distributed and Standardised INstAllation technology) è un innovativo sistema di installazione studiato dalla Associazione Tedesca dei Costruttori di Macchine Utensili (VDW) a cui hanno partecipato utilizzatori (tra cui i costruttori di automobili tedeschi) e i fabbricanti di componentistica, che si è concretizzato con una specifica per la standardizzazione dei componenti elettrici, idraulici e pneumatici e della loro interconnessione su macchine a controllo numerico e su linee di produzione. La specifica DESINA® è stata accettata dall'ISO TC 184/SC 1 "Industrial automation System and integration / Physical device control"</p> <p><i>Le norme ISO sono le seguenti:</i></p> <p>ISO 23570-1: <i>Sistemi per l'automazione industriale ed integrazione. Installazione distribuita nelle applicazioni industriali. Parte 1 Sensori ed attuatori.</i></p> <p>ISO 23570-2: <i>Sistemi per l'automazione industriale ed integrazione. Installazione distribuita nelle applicazioni industriali. Parte 2: Bus di comunicazione ibrido.</i></p> <p>ISO 23570-3: <i>Sistemi per l'automazione industriale ed integrazione. Installazione distribuita nelle applicazioni industriali. Parte 3: Bus di comunicazione di potenza.</i></p> <p>Raccomandazioni EUROMAP:  <i>Gli inserti e le relative custodie soddisfano le Raccomandazioni EUROMAP (Comitato Europeo costruttori macchine per materie plastiche e gomma) EUROMAP 12, 13, 14, 16, 67, 67.1, 71</i></p> <p>Approvazioni:</p> <p><i>I connettori sono progettati e prodotti in conformità alle norme EN 61984, EN 175 301-801, UL 1977 e CSA C22.2 182.3</i></p> <p><i>Le custodie sono inoltre progettate in conformità alle norme UL 50, UL 50 E and CSA C22.2 No. 94-1-2</i> <i>Inserti e custodie sono certificati ed identificati con i marchi UL e CSA: file E249674</i></p> <p><i>I connettori Molex sono quindi conformi sia al sistema Europeo/ Internazionale che a quello Nord Americano. Questo permette di utilizzare i connettori nel più largo campo di applicazioni, in tutto il mondo.</i></p>  UL File No. E249674  CSA Master Contract No.256883

General characteristics	Caratteristiche generali
<p>Inserts:</p> <p>The inserts are made of self-extinguishing thermoplastic resin UL 94 V0, GWT 960°, normally used in maximum temperature of 125°C. The inserts are available in screw, spring, crimp and screw form with terminal block connections. The contacts are in silver or gold plated copper alloy. All are numbered on both sides by laser printing or molding in accordance with EN 60068-2-70.</p> <ul style="list-style-type: none"> - Suitable for use with alternate or direct current - Leading protective ground - Polarized for correct mating - Interchangeable for male and female inserts in hoods and housings - Captive screws - Can be used with hoods and housings, or with rack and panel applications. <p>Conductors connection, termination:</p> <ul style="list-style-type: none"> - Screw terminals - Crimp terminals - Screw terminals with terminal block - Spring terminals - Push-in terminals <p>Enclosures:</p> <p>A large variety of enclosures is available with different combination of components and materials, each one suitable to a specific industrial installation for normal environmental conditions and aggressive environments.</p> <p>The principal parts are made in die-cast aluminium alloy with a finishing of polyester powder (Natural aluminium for EMC version) or in self-extinguishing thermoplastic.</p> <p>They are resistant to impact and strong mechanical stress. Coupling stability and protection against accidental opening are assured by a single or double locking system, comprising of monoblock levers in galvanized steel or stainless steel, springs and pegs in stainless steel or plastic.</p> <p>Sealing is assured by special gaskets that protect the inserts inside the enclosures against dust, water and other aggressive agents.</p> <ul style="list-style-type: none"> - Innovative design - Hoods/housings for normal environmental conditions and EMC - Hoods/housings for harsh environmental requirements - Degree of protection according to EN 60529: IP66 / IP67 / IP69 - Degree of protection according to ANSI/UL50, 50E, NEMA 250 Type 4/4x/12 - Electrical connection with protective ground - High mechanical strength and vibration resistance ensured by locking levers - Spring-loaded lockable metal covers <p>Cable glands, fittings and accessories:</p> <ul style="list-style-type: none"> - Extensive range of cable protection and sealing accessories - Metal cable glands IP65/IP66 - Plastic cable glands IP66 - Metal cable glands IP68 - Plastic cable glands IP68 - Fittings for flexible conduits - Hexagonal nuts - Enlargers/reducers - Code pins for incorrect mating protection <p>Tools:</p> <p>To guarantee the efficiency and security of the connection and to ensure that maximum quality standards are met, a complete series of application specific tooling is available for contact crimping and cable assembling</p>	<p>Inserti:</p> <p><i>Gli inserti sono costruiti in materiale plastico autoestinguente UL94 V0 - GWT 960° e normalmente usati in ambienti con temperature fino a 125°C. Sono disponibili con terminali a vite, a molla, a crimpare e a vite con morsettiere. I contatti sono in lega di rame argentata o dorata. Gli inserti sono numerati da entrambi i lati da stampo o tramite marcatura laser in conformità alle norme EN 60068-2-70</i></p> <ul style="list-style-type: none"> - Adatti all'impiego in corrente alternata o continua - Protezione con contatto di terra - Polarizzati per un corretto accoppiamento - Inserti maschio e femmina intercambiabili nelle custodie sia fisse che mobili - Viti imperdibili - Utilizzabili con custodie fisse e mobili o in applicazioni su pannelli e rack. <p>Connessione dei conduttori:</p> <ul style="list-style-type: none"> - Con terminali a vite - Con terminali a crimpare - Con terminali a vite con morsettiere - Con terminali a molla - Con terminali push-in <p>Custodie:</p> <p><i>E' disponibile una larga gamma di custodie prodotte con differenti combinazioni di materiali e componenti, ciascuna adatta ad uno specifico impiego industriale sia per ambienti normali che per ambienti aggressivi. Le parti principali sono realizzate in lega di alluminio pressofusa e verniciata con polvere poliestere (Alluminio neutrale per versioni EMC) o in materiale termoplastico autoestinguente. Sono resistenti agli urti e a forti sollecitazioni meccaniche. La stabilità dell'accoppiamento fra le custodie mobili e fisse e la protezione contro aperture accidentali sono garantite da sistemi di chiusura singolo o doppio costituiti da leve monoblocco in acciaio protetto con trattamento galvanico superficiale o in acciaio inox, perni e molle in acciaio inox, o completamente in plastica. La tenuta è garantita da speciali guarnizioni che proteggono gli inserti all'interno da polvere, acqua e da altri agenti aggressivi.</i></p> <ul style="list-style-type: none"> - Design innovativo - Custodie per applicazioni normali e EMC - Custodie per ambienti aggressivi - Grado di protezione secondo EN 60529: IP66 / IP67 / IP69 - Grado di protezione secondo ANSI/UL50, 50E, NEMA 250 Type 4/4x/12 - Connessione elettrica alla terra - Grande resistenza meccanica ed alle vibrazioni assicurata dal sistema di chiusura tramite leve - Coperchi metallici con molla e sistema di chiusura <p>Pressacavi, raccordi e accessori :</p> <ul style="list-style-type: none"> - Larga disponibilità di accessori per la protezione e l'impermeabilità - Pressacavi IP65/IP66 metallici - Pressacavi IP66 in materiale termoplastico - Pressacavi IP68 metallici - Pressacavi IP68 in materiale termoplastico - Raccordi per tubi flessibili - Dadi esagonali - Allargatori e riduttori - Parni di codifica contro l'incorretto accoppiamento <p>Utensili:</p> <p><i>Per garantire l'efficienza e la sicurezza della connessione e per assicurarne la qualità è disponibile una serie di utensili per la crimpatura dei contatti e dei terminali e per la lavorazione dei cavi in genere ed il controllo di apparecchiature elettriche ed elettroniche.</i></p>

General characteristics	Caratteristiche generali
<p>Design and testing:</p> <p>The connectors and the other products of this series have been designed and tested in Italy to meet the exact electrical and environmental standards set down within industry guidelines</p> <p>CE Marking:</p> <p>In accordance with Low Voltage Device (LVD) Directive 2006/95/EC</p> <p>RoHS Compliance:</p> <p>The products are in accordance with the European Directive 2011/65/EC on the use of certain hazardous substances in electrical and electronic equipments (RoHS)</p> <p>EMC Compliance:</p> <p>The hoods/housings EMC type are designed for equipments that meet the European Directive 2004/108/CE (EMC = Electromagnetic Compatibility)</p> <p>Technical support:</p> <p>For any question and technical support please contact your nearest retailer or write us.</p> <p>Notices:</p> <p>It is the user responsibility to ensure that products of this catalogue comply with other regulations than those stated when products are used in special fields of applications which we are unable to foresee, and that they are assembled and installed correctly, in accordance with the installation Standards.</p> <p>Molex is not responsible for the installation result and/or for the incorrect use of the products supplied.</p> <p>Connectors should not be coupled and decoupled under electrical load, and shall be coupled in axial direction to avoid contact damages.</p> <p>For spring and push-in terminal inserts, the correct cable assembly is assured only by using the correct screwdriver shown on the catalogue.</p> <p>For screw terminal inserts is necessary to apply the correct torque in order to avoid false contacts or damages to the conductor, to the screw and to the contact itself.</p> <p>The complete connectors (enclosures and inserts) guarantee the IP degree of protection when coupled and locked with their closing system. In order to ensure the same degree of protection, cable glands or other accessories must also have at least an equivalent IP degree of protection.</p> <p>In the interest of development and improvement we reserve the right to amend, without notice, details contained in this publication.</p> <p>No legal liability will be accepted by Molex for any errors, omissions or amendments.</p> <p>This catalogue must not be used or reproduced in any form or manner without our written approval in advance.</p> <div align="center" data-bbox="359 1944 507 2018"> </div>	<p>Progetto e prove:</p> <p><i>I connettori e gli altri prodotti della stessa serie sono stati progettati e testati in Italia. Questo costituisce una maggior garanzia per il rispetto delle numerose norme internazionali a cui questi prodotti fanno riferimento.</i></p> <p>Marcatura CE:</p> <p><i>Secondo la direttiva Bassa Tensione 2006/95/EC</i></p> <p>Conformità alla RoHS:</p> <p><i>I nostri prodotti sono conformi alla Direttiva Europea 2011/65/EC sulla restrizione all'uso di determinate sostanze pericolose nelle apparecchiature elettriche ed elettroniche (RoHS)</i></p> <p>Conformità EMC:</p> <p><i>Le custodie tipo EMC sono progettate per apparecchiature che devono rispettare la Direttiva Europea 2004/108/CE (EMC = Compatibilità elettromagnetica)</i></p> <p>Supporto tecnico:</p> <p><i>Per eventuali richieste di chiarimenti e supporto tecnico consigliamo di contattare il più vicino rivenditore o il nostro indirizzo e-mail.</i></p> <p>Avvertenze:</p> <p><i>E' responsabilità dell'utilizzatore assicurarsi che i prodotti illustrati in questo catalogo siano in accordo con altre specifiche e regole stabilite per altri campi di applicazioni che non siamo in grado di prevedere e che vengano assemblati ed installati correttamente, secondo le norme impiantistiche ed a regola d'arte.</i></p> <p><i>Molex declina ogni responsabilità sul risultato dell'installazione e/o per l'utilizzo improprio dei prodotti forniti.</i></p> <p><i>I connettori non devono essere connessi e scollegati sotto carico mentre devono essere accoppiati in direzione assiale per non sollecitare e danneggiare i contatti.</i></p> <p><i>Per gli inserti con connessione a molla e push-in, viene garantito il cablaggio solo con l'utilizzo del cacciavite corretto indicato a catalogo. Per la connessione a vite è indispensabile applicare la corretta coppia di torsione per evitare falsi contatti o danni al conduttore, alla vite ed al contatto stesso.</i></p> <p><i>Le custodie, complete di inserti, garantiscono il grado di protezione IP quando sono accoppiate e bloccate tramite il sistema di chiusura.</i></p> <p><i>Per il mantenimento del grado di protezione IP delle custodie occorre impiegare pressacavi o altri accessori con un grado di protezione almeno equivalente.</i></p> <p><i>Ci riserviamo il diritto di variare il progetto per migliorare la qualità, per l'aggiornamento tecnologico e per il rispetto dell'ambiente.</i></p> <p><i>Tutte le informazioni contenute nel presente catalogo non sono impegnative e possono essere variate senza alcun preavviso. Questo catalogo non può essere usato impropriamente o riprodotto, anche solo in parte, senza nostra autorizzazione preventiva scritta.</i></p> <div align="center" data-bbox="1093 1944 1216 2033"> </div>

The shape of performance



Design and innovation

Technical features	Caratteristiche tecniche
<p>1) A wide range of accessories comprising of: cable glands, fittings for flexible conduits, blanking plugs, enlargers, reducers and lock units.</p> <p>2) Threaded cable passage in various Pg and metric thread (in accordance with EN 60423) available, for cable entry devices in accordance with EN 50262, as option located vertically, horizontally or at the front. NPT threads on request.</p> <p>3) Heavy duty enclosures in die-cast aluminium alloy or self-extinguishing thermoplastic. Surface mounting or bulkhead housings and hoods are available, with or without fixed covers or with mobile protection covers. The enclosures for the use at a voltage of 500V have two tabs that prevents the insertion of inserts for the use with 830V. Those for the use with a rated voltage of 830V do not have any tabs and supplementary insulating strips are applied.</p> <p>4) Metal enclosures with polyester or epoxy powder coating with high resistance to mechanical stress and external agents, Enclosures used for harsh environments have cromate treatment before coating. Certified UL/CSA.</p> <p>5) Insert in self-extinguishing thermoplastic material reinforced with glass fibres, UL approved, with a limit working temperature from - 40°C to + 125°C.</p> <p>6) Inserts with asymmetric guide rails for preventing incorrect coupling, The inserts have a mechanical duration equal to or over 500 mating / unmating cycles.</p> <p>7) Inserts manufactured to conform with EN 61984, VDE 0110, VDE 0627, EN 175301-801, UL 1977 standards. They are certified and labelled with the UL and CSA marks.</p> <p>8) Special seal gaskets in anti-ageing, oil-resistant and fuel resistant vinyl nitrile elastomer (NBR) together with the joints provide an IP66 degree of protection for coupled connectors.</p> <p>9) Monoblock galvanized steel or stainless steel or self-extinguishing glass filled thermoplastic material locking levers guarantee a perfect closure and sealing.</p> <p>10) Locking device available in 3 versions, simple (with one lever) or double (with two levers) or with screws HP-HE series.</p> <p>11) Captive insert fastening screws, with anti-loosening flexible washer.</p> <p>12) Contacts position identified with numbers on both sides of each insert, laser printed or moulded.</p> <p>13) Contacts in silver or gold-plated copper alloy with connection to the conductors made via captive screws, crimping terminals, spring terminals or screws with incorporated terminal block.</p> <p>14) Earth terminal with wide contact surface.</p> <p>15) Stainless steel pegs that facilitate the locking and eliminate damages.</p> <p>16) Captive contact screws, stainless steel wire protector.</p> <p>17) CE marking attesting the conformity to the requirements of the Directive Low Voltage Device (LVD) 2006/95/EC.</p>	<p>1) Una larga gamma di accessori comprendenti: pressacavi, raccordi per tubi flessibili, tappi, allargatori, riduttori, dadi di fissaggio, ecc.</p> <p>2) Foro di passaggio cavi filettato, realizzato in differenti diametri Pg o passo metrico (secondo EN 60423) per dispositivi di ingresso cavi secondo EN 50262, con possibilità di orientamento verticale, orizzontale o frontale. Filettature NPT su richiesta.</p> <p>3) Robuste custodie in lega di alluminio pressofusa o in materiale termoplastico autoestinguente. Sono previste versioni fisse da parete, da incasso e mobili, con o senza sportello fisso o con coperchio di protezione mobile. Le custodie per applicazioni fino a 500V sono dotate di nervature che impediscono l'inserimento degli inserti per applicazioni fino a 830V. Le custodie per inserti per applicazioni fino a 830V sono sprovviste di tali nervature e montano strisce isolanti supplementari.</p> <p>4) Custodie metalliche verniciate con polveri poliesteri o epossidiche con elevata resistenza meccanica ed agli agenti esterni. Le custodie per usi in ambienti aggressivi prevedono un trattamento di cromatazione della pressofusione prima della verniciatura con polveri poliesteri. Certificate UL/CSA.</p> <p>5) Inserti in materiale termoplastico autoestinguente rinforzato con fibre di vetro, omologato UL, con temperature limite di esercizio da -40 °C fino a +125 °C.</p> <p>6) Profilo dei frutti polarizzati con guide asimmetriche che impediscono errati accoppiamenti. I frutti hanno una durata meccanica pari o superiore ai 500 cicli di accoppiamento.</p> <p>7) Inserti realizzati in conformità alle norme: EN 61984, VDE 0110, VDE 0627, EN 175301-801, UL 1977 certificati ed identificati con marchi UL e CSA.</p> <p>8) Guarnizioni di tenuta speciali, in elastomero vinil-nitrile (NBR) anti-invecchiamento, resistenti agli olii, ai carburanti, insieme ai dispositivi di ingresso cavi garantiscono il grado di protezione IP66 per connettori accoppiati.</p> <p>9) Leve di chiusura monoblocco in acciaio protetto galvanicamente, in acciaio inox o in materiale termoplastico caricato vetro autoestinguente garantiscono una perfetta chiusura e sicurezza di tenuta.</p> <p>10) Dispositivo di chiusura disponibile in 3 soluzioni: semplice (con una leva), doppio (con due leve) o con viti serie HP-HE.</p> <p>11) Viti di fissaggio inserti imperdibili, con rondella elastica antiallentamento.</p> <p>12) Posizione dei contatti identificata con numeri su entrambi i lati di ciascun inserto ed impressa con sistema laser o da stampo.</p> <p>13) Contatti in lega di rame argentati o dorati con collegamento ai conduttori tramite viti imperdibili, con terminali a crimpare, terminali a molla e a vite con morsettiera incorporata.</p> <p>14) Morsetto di terra di protezione con ampia superficie di contatto.</p> <p>15) Perni in acciaio inox che facilitano la chiusura senza danni alla superficie degli stessi.</p> <p>16) Viti contatto imperdibili. Proteggi-filo in acciaio inox.</p> <p>17) Marcatura CE che attesta la conformità alle disposizioni della Direttiva Bassa Tensione 2006/95/CE.</p>

Advantages	Vantaggi
<p>1 - Designed and tested in accordance with the latest international standards</p> <p>2 - Suitable for the worldwide market it conforms with both European and American Standard Systems</p> <p>3 - Innovative Italian Design with ergonomic round shape</p> <p>4 - Captive screws</p> <p>5 - Wire protectors in stainless steel. Contact screws in steel or Stainless steel on request.</p> <p>6 - For metal enclosures we use only monoblock metal levers for anti-ageing and no breaks</p> <p>7 - Riveted pegs in stainless steel on hoods, housings and covers to avoid corrosion, breaking and losing of IP protection (I)</p> <p>8 - High construction hoods for IP66 cable glands and dedicated type for IP68 cable glands for space saving</p> <p>9 - Wide range of cable glands and accessories for better performances, easy assembling and cost reduction</p> <p>10 - Fully compatible (II)</p> <p>11 - RoHS compliant</p> <p>12 - Special version on demand</p> <p>13 - Enclosures for harsh environmental requirements with special resistance at industrial washing</p> <p>14 - EMC enclosures with special finishing</p> <p>(I) Integrated pegs in the casting of the enclosures may become a source of weakness due to the material itself (aluminium alloy) and to corrosion when locked by the levers made with different materials. In fact the coating applied on the enclosures and on the integrated pegs easily disappears due to the high pressure applied during the locking and unlocking operations. With humidity, water and other liquids present in the industrial environment, the direct contact between metals with different electrochemical potential will cause corrosion, breaking, malfunctions and the losing of the IP protection degree.</p> <p>(II) We guarantee the best performance and the precise conformity with the standards when Molex inserts, enclosures and cable glands are used.</p>	<p>1 - <i>Progettati ed approvati secondo le più recenti norme internazionali</i></p> <p>2 - <i>Conformi sia al Sistema Normativo Europeo che a quello Americano quindi adatti al mercato mondiale</i></p> <p>3 - <i>Design italiano innovativo per forma e soluzioni ergonomiche</i></p> <p>4 - <i>Viti imperdibili</i></p> <p>5 - <i>Proteggi filo in acciaio inox. Viti per contatti in acciaio, o acciaio inox su richiesta.</i></p> <p>6 - <i>Per le custodie metalliche usiamo solamente leve metalliche monoblocco antinvecchiamento ed esenti da rotture</i></p> <p>7 - <i>Perni rivettati in acciaio inox sulle custodie sia fisse che mobili e sui coperchi per evitare rotture, corrosione e perdita della protezione IP (I)</i></p> <p>8 - <i>Custodie mobili alte per pressacavi IP66 e custodie alte speciali salva-spazio per pressacavi IP68</i></p> <p>9 - <i>Vasta gamma di pressacavi ed accessori per le massime prestazioni, facile assemblaggio e riduzione dei costi</i></p> <p>10 - <i>Completamente compatibili (II)</i></p> <p>11 - <i>Conformi alla direttiva RoHS</i></p> <p>12 - <i>Versioni speciali su richiesta</i></p> <p>13 - <i>Custodie per ambienti aggressivi con una particolare resistenza al lavaggio industriale</i></p> <p>14 - <i>Custodie EMC con una speciale finitura</i></p> <p>(I) <i>I perni integrati nella fusione delle custodie possono essere causa di debolezza del sistema di chiusura perchè in lega di alluminio e per la corrosione che si genera quando in contatto con metalli diversi in determinate condizioni ambientali.</i> <i>Lo strato di vernice applicato sulle custodie e quindi anche sui perni integrati viene asportato facilmente durante le operazioni di chiusura e di sblocco delle leve a causa delle forti pressioni ed attriti in gioco.</i> <i>In presenza di umidità, acqua e altri liquidi sempre presenti negli ambienti industriali, il diretto contatto tra metalli di diverso potenziale elettrochimico genera corrosione e quindi malfunzionamenti, rotture e perdita del grado di protezione IP.</i></p> <p>(II) <i>Si garantiscono le massime prestazioni e la perfetta rispondenza alle norme utilizzando inserti, custodie e pressacavi Molex.</i></p>

General:

The process of choosing the connectors entails more than just considering factors such as functionality, the number of contacts, current and voltage ratings. It is equally important to take into account of where the connectors are to be used and the prevailing ambient condition. This means that, dependent on the condition under which they are to be installed and pursuant to the relevant standard, different voltage and current ratings may apply for the same connectors.

The most important influencing factors and the corresponding electrical characteristics of the associated connectors are illustrated here in greater detail.

Overvoltage category:

The overvoltage category is dependent on the mains voltage and the location where the equipment is installed. It demonstrates the maximum overvoltage resistance of a device in the event of a power supply system fault. e.g. in the event of a lightning strike.

The overvoltage category effects the dimension of components infact it determines the clearance air gap. Pursuant to the relevant standards, there are 4 overvoltage categories.

Overvoltage category III include equipments and components for industrial use such as the Multipole Industrial Connectors (MIC) produced by Molex.

Premessa:

I criteri per la scelta del connettore che più si adatta all'applicazione, vanno oltre le esigenze di funzionalità, numero di poli, tensione e corrente di esercizio. E' altrettanto importante considerare le condizioni di lavoro e l'ambiente in cui il connettore verrà utilizzato. Da tutto questo, ed in accordo con gli standard che ne regolano l'utilizzo, varieranno i valori di tensione e di corrente applicabili sullo stesso connettore utilizzato in ambienti differenti.

I fattori che più influiscono sulla scelta del connettore e gli standard di riferimento, sono illustrati dettagliatamente qui di seguito.

Sovratensioni:

La normativa che regola i valori di sovratensione sopportabili da un componente, si basa sulla tensione nominale del componente stesso ed è in funzione dell'ambiente in cui l'apparecchiatura è installata. Vengono così determinati i parametri di resistenza alle sovratensioni di un apparato elettrico in caso di mal-funzionamento del circuito di alimentazione, o nel caso di straordinari eventi di origine naturale come fulmini o forti accumuli di cariche elettrostatiche.

La normativa "sovratensione" ha influenza sul dimensionamento dei componenti in termini di valori di distanza di scarica in aria. Gli standard di riferimento contemplano 4 categorie di sovratensione per apparati e componenti elettrici.

La categoria III include apparati e componenti per l'utilizzo in ambiente industriale come i Connettori Multipolari Industriali (MIC) prodotti da Molex.

Extract from DIN VDE 0110-1 and IEC 60 664-1

Equipment of overvoltage **category I** is equipment for connection to circuits in which measures are taken to limit transient overvoltage to an appropriately low level.

Note : Examples are protected electronic circuits.

Equipments of overvoltage **category II** is energy-consuming equipment to be supplied from the fixed installation.

Note : Examples of such equipment are appliances, portable tools and other household equipment with similar loads.

If such equipment is subjected to special requirements with regard to reliability and availability, overvoltage category III applies.

Equipment of overvoltage category III is equipment in fixed installations and for cases where the reliability and the availability of the equipment is subject to special requirements.

Note : Examples of such equipment are switches in the fixed installation and equipment for industrial use with permanent connection to the fixed installation.

Equipment of Overvoltage **category IV** is for use at the origin of the installation.

Note : Examples of such equipment are electricity meters and primary overcurrent protection equipment.

Estratto da DIN VDE 0110-1 e IEC 60 664-1

*Apparati in **categoria di sovratensione I**: Componenti per la connessione di circuiti protetti da dispositivi che limitano il livello di sovratensione.*

Note: Ad esempio circuiti elettronici protetti.

*Apparati di **categoria di sovratensione II**: Apparecchiature elettriche alimentate da una sorgente fissa (rete elettrica).*

Note: ad esempio utensili elettrici portatili, elettrodomestici e apparecchiature elettriche di potenza simile.

Apparati e/o utensili che richiedano speciali regole di sicurezza rientrano nella categoria III.

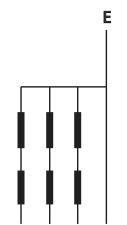
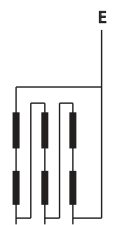


Apparati in categoria di sovratensione III: apparecchiature per installazione fissa e per tutti i casi dove la sicurezza dell'apparato è soggetta a regolamentazioni speciali.

Note: ad esempio interruttori per installazioni fisse e macchinario industriale permanentemente collegato alla rete elettrica.

*Apparati in **categoria di sovratensione IV**: Dispositivi collegati direttamente alle fonti di energia.*

Note: ad esempio strumenti per misure elettriche e dispositivi primari di protezione da sovracorrenti.

Rated impulse voltages (Table B2 of IEC/EN 60664-1)
Tensioni nominali di tenuta ad impulso (Tabella B2 della IEC/EN 60664 -1)

Nominal voltage of the supply system (= rated insulation voltage of equipment) Tensione nominale della rete di alimentazione (= tensione nominale di isolamento dell'apparecchio)					Rated impulse voltage for equipment Tensione nominale di tenuta a impulso per l'apparecchiatura			
					Overvoltage category / Categorie di sovratensione			
					I	II	III	IV
Voltage line to neutral derived from the nominal voltage a. c. or c.c. up to end including Tensione fase-neutro ottenuta dalle tensioni nominali in c.a. o c.c. fino a e incluso	Three-phase four-wire system with earthed neutral Reti trifase a 4 fili con neutro a terra	Three-phase three-wire system earthed or unearthed Reti trifase a 3 fili non collegate a terra	Single phase two-wire system a.c. or d.c. Reti monofase a due fili in c.a. o c.c.	Single phase three-wire system a.c. or d.c. Reti monofase a tre fili in c.a. o c.c.	Special protected level Livelli con protezione speciale	Level for electrical equipment (household and others) Livello per apparecchiature elettriche (ad uso domestico e similari)	Level for the distribution supply system Livello per sistemi di distribuzione dell'alimentazione	Input level Livello di ingresso
								
V	V	V	V	V				
50			12,5 24 25 30 42 48	30-60	330	500	800	1500
100	66/115	66	60	-	500	800	1500	2500
150	120/208; 127/220	115; 120; 127	100 ⁽²⁾ 110; 120	100-200 ⁽²⁾ 220-110 240-120	800	1500	2500	4000
300	220/380; 230/400; 240/415; 260/440; 277/480.	200 ⁽²⁾ , 220; 230; 240; 260; 277	220	220-440	1500	2500	4000	6000
600	347/600; 380/660; 400/690; 415/720; 480/830	347; 380; 400; 415; 440; 480; 500; 577; 600	480	480-960	2500	4000	6000	8000
1000		660; 690; 720; 830; 1000	1000	-	4000	6000	8000	12000

(1) - Practice in the United States of America and in Canada - Utilizzato negli Stati Uniti ed in Canada

(2) - Practice in Japan - Utilizzato in Giappone

Pollution - General (Extr. from IEC/EN 60664-1, para. 4.6.1)

The micro-environment determines the effect of pollution on the insulation. The macro environment, however, has to be taken into account when considering the micro-environment. Means may be provided to reduce pollution at the insulation under consideration by effective use of enclosures, encapsulation or hermetic sealing. Such means to reduce pollution may not be effective when the equipment is subject to condensation or if, in normal operation, it generates pollutants itself.

Inquinamento - Generalità (Estratto IEC/EN 60664-1 p. 4.6.1)

Il micro-ambiente determina l'effetto dell'inquinamento sull'isolamento. Tuttavia, il macro-ambiente deve essere tenuto in considerazione quando si considera il micro-ambiente. E' possibile prevedere misure per ridurre l'inquinamento sull'isolamento considerato, per mezzo di involucri, incapsulazioni o sigilli ermetici adeguati. Queste misure di riduzione dell'inquinamento possono non essere efficaci qualora l'apparecchiatura sia soggetta a condensazione o quando, in funzionamento normale, essa stessa generi elementi inquinanti.

Electrical engineering data	Caratteristiche elettriche
<p>Pollution degrees:</p> <p>The dimensions of the operating equipment is dependent on environmental conditions. Any pollution or contamination may give rise to conductivity that, in combination with moisture, may affect the insulating properties of the surface on which it is deposited. The pollution degree influences the design of components in terms of the creepage distance.</p> <p>The pollution degree is defined for exposed, unprotected insulation on the basis of the environmental condition.</p> <p>Molex Multipole Industrial Connectors (MIC) are designed as standard for Pollution Degree 3.</p> <p>Pollution degree 1 In air-conditioned or clean, dry rooms, such as computer and measuring instrument rooms.</p> <p>Pollution degree 2 In residential sales and other business premises, precision engineering workshop, laboratories, testing bays, rooms used for medical purposes.</p> <p>Pollution degree 3 In industrial, commercial and agricultural premises, unheated storage premises, workshops or boiler rooms, machinery and for industrial automation.</p> <p>Pollution degree 4 In outdoor or exterior areas such as equipment mounted on the roofs of locomotives or tramcars, elevators and machinery operating outdoor for building.</p>	<p>Gradi di inquinamento:</p> <p><i>Il dimensionamento dei componenti elettrici dipende dalle condizioni ambientali di utilizzo. Fattori esterni di inquinamento possono variare le proprietà iniziali di isolamento delle superfici contaminate. Il grado di inquinamento influisce sul dimensionamento dei componenti elettrici in termini di distanza di scarica superficiale.</i></p> <p><i>Il grado di inquinamento definisce le condizioni ambientali nelle quali un apparato o componente è installato senza protezioni aggiuntive.</i></p> <p>Tutti i Connettori Multipolari Industriali (MIC) Molex sono progettati per utilizzo in grado di inquinamento 3.</p> <p>Grado di inquinamento 1: <i>In ambienti con aria condizionata, asciutti e puliti come ad esempio laboratori di misura e stanze per computers.</i></p> <p>Grado di inquinamento 2: <i>In locali d'abitazione e uffici, laboratori e officine di meccanica fine, sale collaudo, negozi e laboratori ad uso medicale.</i></p> <p>Grado di inquinamento 3: <i>In ambienti di produzione industriale, aziende agricole, magazzini industriali non riscaldati, locali caldaia, macchine utensili ed automazione industriale.</i></p> <p>Grado di inquinamento 4: <i>In ambienti di lavoro esterno esposti alle intemperie come ad esempio componenti montati sul tetto di veicoli ferroviari, gru edili ed industriali e macchine operatrici da cantiere.</i></p>
<p>Extract from IEC/EN 60664-1, Para. 4.6.2 and VDE 0110-1 Degree of pollution in the micro-environment.</p> <p>Pollution degree 1: No pollution or only dry, non-conductive pollution occurs. The pollution has no influence.</p> <p>Pollution degree 2: Only non-conductive pollution occurs except that occasionally a temporary conductivity caused by condensation is to be expected.</p> <p>Pollution degree 3: Conductive pollution occurs or dry non-conductive pollution occurs which becomes conductive due to condensation which is to be expected.</p> <p>Pollution degree 4: Continuous conductivity occurs due to conductive dust, rain or other wet conditions.</p>	<p>Estratto da IEC/EN 60664-1, Para. 4.6.2 e VDE 0110-1 <i>Gradi di inquinamento nel micro-ambiente</i></p> <p>Grado di inquinamento 1: <i>Non vi è inquinamento o si produce soltanto un inquinamento secco non conduttivo. L'inquinamento non ha influenza.</i></p> <p>Grado di inquinamento 2: <i>Si produce soltanto inquinamento non conduttivo. Ci si deve, tuttavia, aspettare occasionalmente una conduttività temporanea provocata dalla condensazione</i></p> <p>Grado di inquinamento 3: <i>Si produce un inquinamento conduttivo o inquinamento secco non conduttivo, che diventa conduttivo a seguito della condensazione che può prodursi.</i></p> <p>Grado di inquinamento 4: <i>Si ha una conduttività persistente causata dalla polvere conduttrice, dalla pioggia o da altre condizioni di umidità.</i></p>
<p>Special ruling for connectors:</p> <p>Subject to compliance with certain preconditions, the standard for connectors permits a lower pollution degree than that which applies to the installation as a whole. This means that in a pollution degree 3 environment, connectors may be used which are electrically rated for pollution degree 2.</p> <p>The basis of this is contained in EN 61984, Para. 6.19.2.3 (Please refer to the following conditions and restrictions)</p>	<p>Regole speciali per connettori:</p> <p><i>Stabilita la compatibilità con le regole di base, le norme di riferimento per i connettori permettono l'utilizzo degli stessi nel grado di inquinamento immediatamente superiore a quello per il quale sono stati progettati. In quei casi, quindi contemplati dalle normative di riferimento (EN 61984 paragrafo 6.19.2.3), connettori progettati per il grado di inquinamento 2 possono essere utilizzati, con i dovuti accorgimenti, in grado di inquinamento 3 (vedi restrizioni e condizioni dettagliate nell'estratto qui di seguito).</i></p>
<p>Extract from EN 61984, Para. 6.19.2.3</p> <p>For a connector with a degree of protection IP 54 or higher according to IEC 60529 the insulating parts inside the enclosure may be dimensioned for a lower pollution degree.</p> <p>This also applies to mated connectors where enclosure is ensured by the connector housing and which may only be disengaged for test and maintenance purposes.</p>	<p>Estratto da EN 61984, Para. 6.19.2.3</p> <p><i>Per un connettore con grado di protezione IP 54 o superiore secondo la IEC 60529, le parti isolanti all'interno della custodia possono essere dimensionate per un grado di inquinamento inferiore. Ciò si applica anche ai connettori accoppiati la cui chiusura è assicurata dalla custodia del connettore e che possono essere disaccoppiati solo a fini di prova e di manutenzione.</i></p>

Technical features

The condition fulfils:

A connector which is protected to at least IP 54 as per IEC 60 529.
A connector which is installed in a housing and which as described in the standard is disconnected for testing and maintenance purposes only.
A connector installed in a housing and that when disconnected is protected by a cap or cover to at least IP 54,
A connector located inside a switching cabinet to at least IP 54

These conditions are not extended to connectors that when disconnected remain exposed to the industrial atmosphere for an indefinite period.

It should be noted that pollution can affect a connector from the inside of an installation outwards.

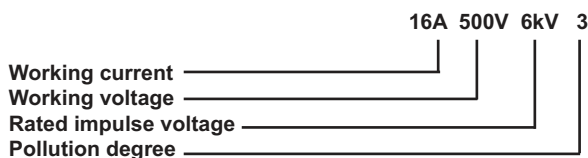
Typical applications of pollution degree 2 connectors:

A connector serving a drive motor which is disconnected only for the purpose of replacing a defective motor, even when the plant or system otherwise calls for pollution degree 3.
Connectors serving a machine of modular design which are disconnected for transport purposes only.
In transit, protective covers or adequate packing must be provided to ensure that the connectors are not affected by pollution/contamination.
Connectors located inside an IP54 cabinet. In such cases, it is even possible to dispense with IP54 housings of the connectors themselves.

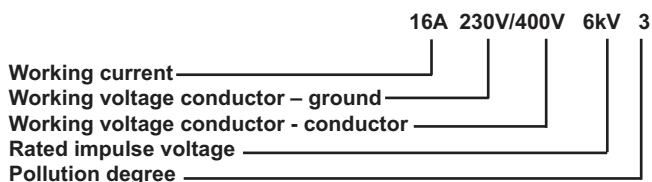
Electrical data - Referring standard:

Electrical data for connectors are specified as per EN 61984.

This example identifies a connector suitable for use in an unearthed power systems or earthed delta circuit (See table of page 00.13, table B2 of IEC/EN 60664-1)



This example identifies a connector suitable exclusively for use in earthed power systems (See table of page 00.13, table B2 of IEC/EN 60664-1).



Clearance air gap:

The shortest distance through the air between two conductive elements (see EN 60664-1, para. 3.2). The air gaps are determined by the surge voltage withstand level.

Caratteristiche tecniche

Dettagli di applicabilità della regola generale:

Connettori con grado di protezione almeno IP 54 secondo la norma EN 60529.
Connettori con relative custodie di protezione, usati, come descritto dagli standard di riferimento, per essere disaccoppiati solo per ragioni di manutenzione o prove.
Connettori con relative custodie che, una volta disaccoppiati, vengono protetti da un coperchio che assicura almeno il grado di protezione IP 54.
Connettori assemblati all'interno di un contenitore con grado di protezione minimo IP 54.
La regola speciale non è applicabile a connettori previsti per essere lasciati disaccoppiati ed esposti ad atmosfere di ambienti industriali per periodi indefiniti.
E' utile anche ricordare che il connettore può essere attaccato da agenti inquinanti provenienti dalla parte interna dell'apparato.

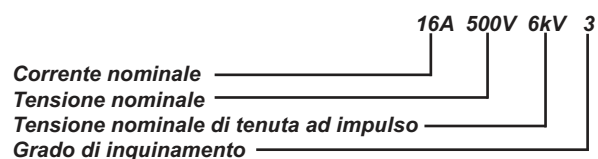
Applicazioni tipiche di connettori per grado di inquinamento 2:

- Connettore per motore elettrico, installato in ambiente con grado di inquinamento 3, quando il connettore è previsto ed utilizzato con lo scopo di sostituire rapidamente il motore difettoso.
- Connettori che equipaggiano grandi macchine che, per motivi pratici di movimentazione ed installazione, hanno l'esigenza di essere separate in più parti. Si consiglia l'utilizzo di custodie con coperchio, in modo da proteggere la connessione durante il trasporto.
- Connettori posizionati all'interno di quadri elettrici con grado di protezione IP 54 o superiore. In questi casi è possibile utilizzare il connettore secondo i parametri del grado di inquinamento 2 anche senza l'ausilio delle custodie di protezione.

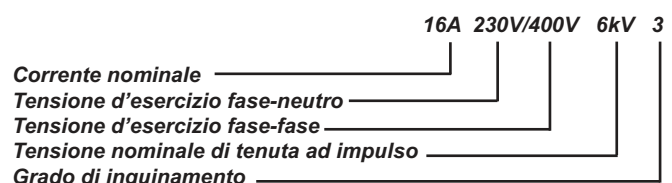
Caratteristiche tecniche: Norme di riferimento:

Le caratteristiche elettriche per i connettori sono indicate dalla normativa EN 61984.

L'esempio identifica un connettore adatto esclusivamente per l'utilizzo su apparati sprovvisti di collegamento di terra o con collegamento di terra a triangolo (vedi tabella di pag. 00.13, tabella B2 della IEC/EN 60664-1)



L'esempio identifica il connettore adatto esclusivamente per l'utilizzo su apparati provvisti di collegamento di terra (vedi tabella di pagina 00.13, tabella B2, IEC/EN 60664-1).



Distanza di scarica in aria:

Distanza minima in aria tra due elementi conduttivi (vedi norma EN 60664-1 paragrafo 3.2). La distanza è determinata dal valore massimo ammesso della tensione di picco.

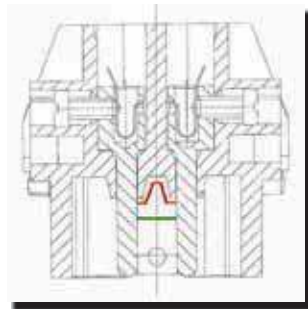
Electrical engineering data

Creepage distance:

Shortest distance on the surface of an insulating material between two conductive elements (see EN 60664-1, para. 3.3). The creepage distances are dependent on the rated voltage, the pollution degree and the characteristics of the insulating material.

Creepage distance

Clearance

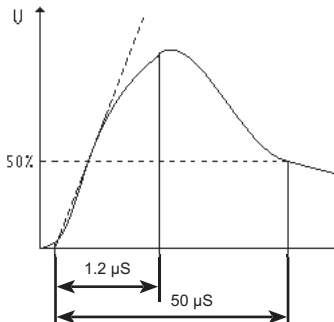


Working voltage:

Fixed voltage value on which operating and performance data are based. More than one value for rated voltage or rated voltage range may be specified for the same connector.

Rated impulse voltage:

The rated impulse voltage is determined on the basis of the overvoltage category and the nominal power supply voltage. This level in turn directly determines the test voltage for testing the overvoltage resistance of the connector (Waveform voltage in 1.2/50 μ s as per IEC 60060-1)



Working current:

Fixed current, preferably at an ambient temperature of 40 °C, which the connector can carry on a permanent basis (without interruption), passing simultaneously through all contacts which are in turn connected to the largest possible conductors, without exceeding the upper temperature limit. The dependence of the rated current on ambient temperature is illustrated in the respective derating diagrams.

Transient overvoltages:

Short-term overvoltage lasting a few millisecond or less, oscillatory or non-oscillatory, generally heavily damped (see EN 60664-1, para. 3.7.2). An overvoltage may occur as a result of switching activities, a defect or lightning surge, or may be intentionally created as a necessary function of the equipment or component.

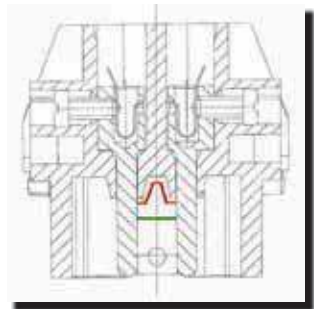
Caratteristiche elettriche

Distanza di scarica superficiale:

Distanza minima in aria tra due elementi conduttivi, misurata sulla superficie del materiale isolante (vedi EN 60664-1 par. 3.3). La distanza di scarica superficiale è determinata dalla tensione nominale, dal grado di inquinamento e dalle caratteristiche dielettriche del materiale isolante.

Distanza di scarica superficiale

Distanza di scarica in aria

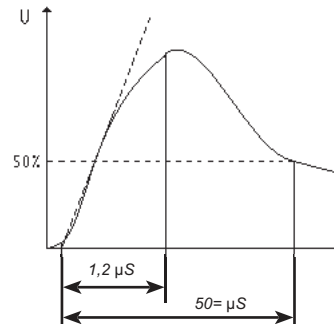


Tensione nominale:

Valore di tensione sul quale si basano le caratteristiche di lavoro del connettore. In funzione del grado di inquinamento, diversi valori di tensione nominale possono essere indicati dal costruttore.

Tensione nominale di tenuta a impulso:

La tensione di tenuta a impulso è determinata sulla base della categoria di sovratensione e dal valore della tensione nominale. Questo livello indica direttamente la tensione di prova del connettore (forma d'onda 1,2/50 μ s secondo IEC 60060-1).



Corrente nominale:

Valore di corrente, fissato preferibilmente alla temperatura ambiente di +40 °C, alla quale tutti i contatti del connettore possono essere caricati simultaneamente, utilizzando per il collegamento, cavi della sezione massima consentita dal morsetto dei contatti, senza che la temperatura massima di resistenza dei materiali venga superata. Il valore di corrente nominale per le diverse serie di connettori è indicato nei rispettivi diagrammi di carico.

Sovratensioni:

Picchi di tensione con caratteristica oscillatoria o non oscillatoria, generalmente della durata di pochi millisecondi (vedi EN 60664-1 paragrafo 3.7.2). Sovratensioni accidentali possono essere causate da manovre su interruttori o da eventi naturali come fulmini e cariche elettrostatiche o possono essere intenzionalmente generate per il funzionamento dell'apparecchiatura.

Power-frequency withstand voltage:

A power-frequency overvoltage (50/60 Hz) applied for a duration of one minute when testing dielectric strength.

For test voltages in association with surge voltage withstand levels, see extract from Table 8, EN 61 984.

Test voltages (Extract from Table 8, EN 61984)

Impulse withstand voltage kV (1.2/50 µs) altitude 2000m	RMS withstand voltage kV (50/60 Hz)
0.5	0.37
0.8	0.50
1.5	0.84
2.5	1.39
4	2.21
6	3.31
8	4.26
12	6.6

CTI (Comparative Tracking Index):

This figure give an indication of the conductivity of insulating materials and affects the specified creepage distance. The influence of the CTI value on the creepage distance is as follows: the higher the index value, the shorter the creepage distance. The CTI is used to divide plastics into insulation groups.

Breakdown of insulation groups:

- I 600 ≤ CTI
- II 400 ≤ CTI < 600
- IIIa 175 ≤ CTI < 400
- IIIb 100 ≤ CTI < 175

Protection levels as per IEC 60529, EN 60529:

The protection level describes the leak-proof character of housing, e. g. for electrical equipment. It ranges from IP00 to IP68.

Molex Multipole Industrial Connectors (MIC) feature a standard protection level of IP66 of IP67 or IP68 (see page 00.67, table based on IEC/EN 60529).

Current carrying capacity:

The current carrying capacity acceptable in the connectors is variable. It reduces with the increase of the number of poles and the temperature of the environment in which the connector is installed. It is determined by the thermal properties of the materials used for the contacts and the insulating parts as well as by the type of conductors used.

The current carrying capacity is obtained from the load curves which are constructed according to standard EN 60512-5 for currents circulating simultaneously in all poles.

The limit current curves express current values that determine the achievement of the highest limit temperature of the used materials. The choice of the permanent load applicable on the contacts must be made within the field of operation possible delimited by the above curves.

Since the use of the connectors at the limit of the values of their characteristics is not recommended, **the base curve** is derated. The reduction of the load curves to 80% defines the correction curve where both the maximum contact resistance permissible and the inaccuracy of the temperature measurements are sufficiently borne in consideration. The correction curve represents the **final limit current curve (load curve)** as defined by standard IEC 60512-3. It therefore takes into consideration the difference between the various connectors, as well as errors in the temperature measurements.

All the load curves presented herebelow include the corrections.

Tensione di prova a frequenza:

Sovratensione alla frequenza di 50/60 Hz, applicata per la durata di un minuto per la prova di isolamento del materiale dielettrico. Vedi valori di prova secondo EN 61984 tabella 8.

Tensione di prova: (estratto da tabella 8, di EN 61984)

Tensione ad impulsi kV (1.2/50 µs) Altezza 2000 m	Tensione RMS kV (50/60 Hz)
0.5	0.37
0.8	0.50
1.5	0.84
2.5	1.39
4	2.21
6	3.31
8	4.26
12	6.6

CTI (Comparative Tracking Index)

Valore di conducibilità elettrica dei materiali. E' indispensabile per determinare la distanza di scarica superficiale tra due elementi conduttivi. Il valore CTI è inversamente proporzionale alla distanza di scarica superficiale: più elevato è il valore di CTI, minore è la distanza di scarica superficiale. Il CTI è utilizzato per la classificazione in gruppi di isolamento dei materiali dielettrici.

- I 600 ≤ CTI
- II 400 ≤ CTI < 600
- IIIa 175 ≤ CTI < 400
- IIIb 100 ≤ CTI < 175

Grado di protezione (IEC 60529, EN 60529):

Il grado di protezione indica le caratteristiche di protezione alle polveri, all'acqua e all'introduzione di corpi estranei attraverso gli involucri esterni (custodie) degli apparati elettrici. La scala di classificazione si estende dal valore di IP00 a IP68. I connettori industriali Molex offrono uno standard di protezione IP66 o IP67 o IP68 (vedi pag. 00.67, valori secondo IEC/EN 60529).

Diagrammi di carico:

La portata di corrente ammissibile nei connettori è variabile: essa si riduce al crescere del numero dei poli e della temperatura ambientale in cui il connettore è installato ed è determinata dalle proprietà termiche dei materiali utilizzati per i contatti e per le parti isolanti, incluse quelle del conduttore impiegato.

Essa si ricava dalle curve di carico costruite secondo la norma EN 60512-5 per correnti circolanti in tutti i poli contemporaneamente.

Le curve di corrente limite esprimono dei valori di corrente che determinano il raggiungimento della temperatura limite superiore dei materiali. La scelta del carico permanente applicabile sui contatti deve essere effettuata entro il campo di funzionamento permesso delimitato dalle suddette curve.

*Non essendo consigliabile l'utilizzo di connettori al limite delle loro caratteristiche si procede al declassamento della **curva di base**. La riduzione delle correnti di carico all'80% definisce la curva di correzione, in cui si tiene conto in modo sufficiente, sia delle massime resistenze di contatto ammissibili sia delle imprecisioni nella misura delle temperature.*

*La curva di correzione rappresenta la curva di **corrente limite finale (curva di carico)** come definita nella norma IEC 60512-3. Essa tiene perciò conto delle differenze tra i vari connettori, nonchè di errori nella misura delle temperature.*

Tutte le curve di carico di seguito riportate sono già comprensive di correzione.

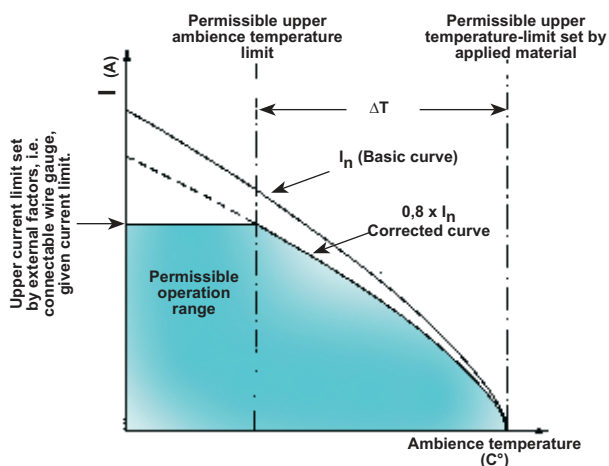
Load diagram (EN 60512-5):

The diagrams of page 00.21 ÷ 00.47 are used to illustrate the maximum current carrying capacity of components. The illustration follows a curve which shows the current in relation to ambient temperature.

Current carrying capacity is limited by the thermal characteristics of contacts and insulating elements which have an upper temperature limit that should not be exceeded.

The load diagrams are therefore valid for through each contact element of the connector evenly, without exceeding the allowed maximum temperature.

Measuring and testing techniques according to EN 60612-5



Maximum load current (A): Value for which the connector reaches the limit temperature of the materials at the environmental temperature, intersected on the load curve.

Limit temperature of the materials: value determined by the characteristics of the materials used. The sum of the environmental temperature and the increase of the temperature ΔT caused by the passage of the current must not exceed the limit temperature of the materials.

Environment temperature limit: The environmental condition must not exceed this value. It may be known and determines the maximum load current, or may be obtained directly from the load curve.

Best curve: Set of current and temperature values obtained from laboratory tests and influenced by the connector's characteristics (number of poles, construction shape, thermal conductivity of the materials, ecc.) and the section of the conductor used.

Load curve (limit current curve): Obtained from the base curve via the safety coefficient.

ΔT (overtemperature): Temperature increase produced by permanent current circulating through all the poles of a connector coupling. Difference between the limit temperature of the materials and the environmental temperature obtained on the limit current curve.

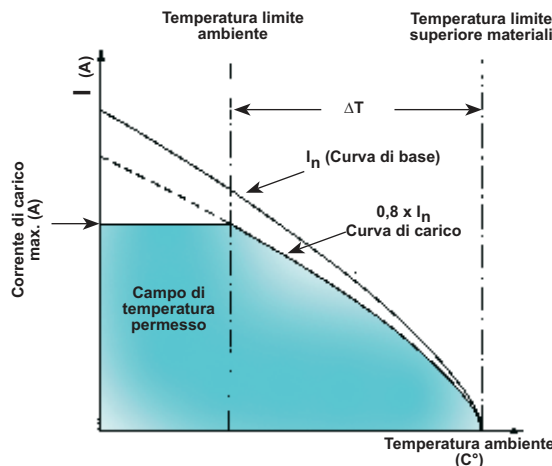
Remark:
The load diagrams of the inserts are available in the pages from 00.21 to 00.47

Diagrammi di carico (EN 60512-5):

I diagrammi di carico delle pagine 00.21 ÷ 00.47 vengono utilizzati per illustrare il valore massimo di portata in corrente dei componenti elettrici. Le curve indicano le correnti massime consentite, in funzione della temperatura ambiente. La portata dei connettori è limitata dalla resistenza termica dei materiali dei contatti e delle parti isolanti, senza che la temperatura massima venga superata.

I diagrammi di carico sono quindi validi per correnti permanenti (non intermittenti) attraverso ciascun elemento di contatto del connettore senza superare la massima temperatura ammessa.

Misure e metodi di prova secondo la Norma EN 60512-5



Corrente di carico massima (A): Valore per il quale, alla temperatura ambiente, intersecata sulla curva di carico, il connettore raggiunge la temperatura limite superiore del materiale.

Temperatura limite superiore dei materiali: Valore determinato dalle caratteristiche dei materiali impiegati. La somma della temperatura ambiente e dell'aumento di temperatura ΔT causato dal passaggio di corrente non deve superare la temperatura limite superiore dei materiali.

Temperatura limite ambiente: Le condizioni d'ambiente non devono superare tale valore. Può essere conosciuto e determina la corrente di carico max., o può essere ricavato direttamente dalla curva di carico.

Curva di base: Insieme di valori di corrente e temperatura ricavati dalle prove di laboratorio ed influenzati dalle caratteristiche del connettore (No. di poli, forma costruttiva, conducibilità termica dei materiali, ecc.) e dalla sezione del conduttore impiegato.

Curva di carico (curva di corrente limite): ricavata dalla curva di base tramite coefficiente di sicurezza.

ΔT (sovratemperatura): Aumento di temperatura prodotta da una corrente permanente circolante in tutti i poli di un accoppiamento di connettori. Differenza tra la temperatura limite superiore dei materiali e la temperatura ambiente rilevata sulla curva di corrente limite.

Nota:
I diagrammi di carico degli inserti sono disponibili nella pagine da 00.21 a 00.47

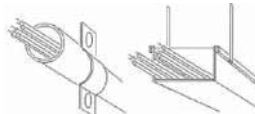
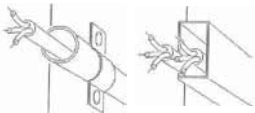
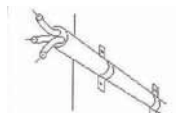
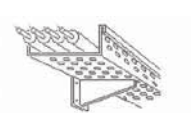
In practice it is not usual to load all terminals simultaneously with the maximum current. In such a case one contact can be loaded with a higher current than the one permitted by the current capacity curve, if less than 20% of the all contacts are loaded.

However in these cases there are no universal rules. The limits have to be determined individually from case to case. It is recommended to proceed in accordance with IEC 60512 part. 3.

Nella realtà applicativa dei connettori, capita comunque raramente di caricare tutti i contatti contemporaneamente con la corrente massima consentita. In questi casi è possibile caricare alcuni contatti con correnti superiori a quelle indicate nei diagrammi di carico, senza però mai superare il 20% del numero totale dei contatti.

Tuttavia non è possibile formulare una regola generale. In caso di applicazioni al limite è opportuno eseguire delle verifiche applicando sul connettore il carico reale alla temperatura ambiente reale, facendo sempre riferimento alla normativa IEC 60512 parte 3.

Current carrying capacity of copper wires - Portata del cavo di rame

Diameter (mm ²) of single wires in a three-phase system Sezione (mm ²) di ogni singolo conduttore in un cavo trifase	0,75	1	1,5	2,5	4	6	10	16	25	35
Type of installation - Tipo di installazione										
 B1 Wires in protective tubes and wires installation conduits B1 Cavi singoli posati in tubi o canaline	8,6	10,3	13,5	18,3	24	31	44	59	77	96
 B2 Cables and wires in protective tubes and wires installation conduits B2 Cavi multipolari posati in tubi o canaline	8,5	10,1	13,1	17,4	23	30	40	54	70	86
 C Cables and wires at walls C Cavi multipolari fissati a muro	9,8	11,7	15,2	21	28	36	50	66	84	104
 E Cables and wires on a cable tray E Cavi multipolari posati a vista	10,4	12,4	16,1	22	30	37	52	70	88	110

Depiction in accordance with EN 60204-1 for PVC-insulated copper wires in an ambient temperature of +40 °C under permanent operating conditions
 For different conditions and temperatures, installation, insulation materials or conductors the relevant corrections have to be carried out

*Definizione secondo EN 60204-1 per cavi isolati in PVC, alla temperatura ambiente di +40 °C con carico applicato permanentemente
 Per utilizzi ad altre temperature ambiente e/o in condizioni differenti o con materiali isolanti diversi, sono necessarie variazioni ai valori sopra indicati*

Transient current carrying capacity:

A transient current in circuits can be generated by switching operations such as the starting of a motor or a short circuit in a faulty installation. This can cause thermal stress to the contact. These short and very high increases cannot be dissipated quickly and therefore a local heating effect to the contact is the result. Contact design is an important feature when transient current are encountered. Molex contacts are generally machined from solid material and are relatively unaffected by short overloads.

Molex produces stamped contacts too with special design with multiple contacts points that guarantee low contact resistance and a low effect by short overload.

For guidance please see the diagram on following page.

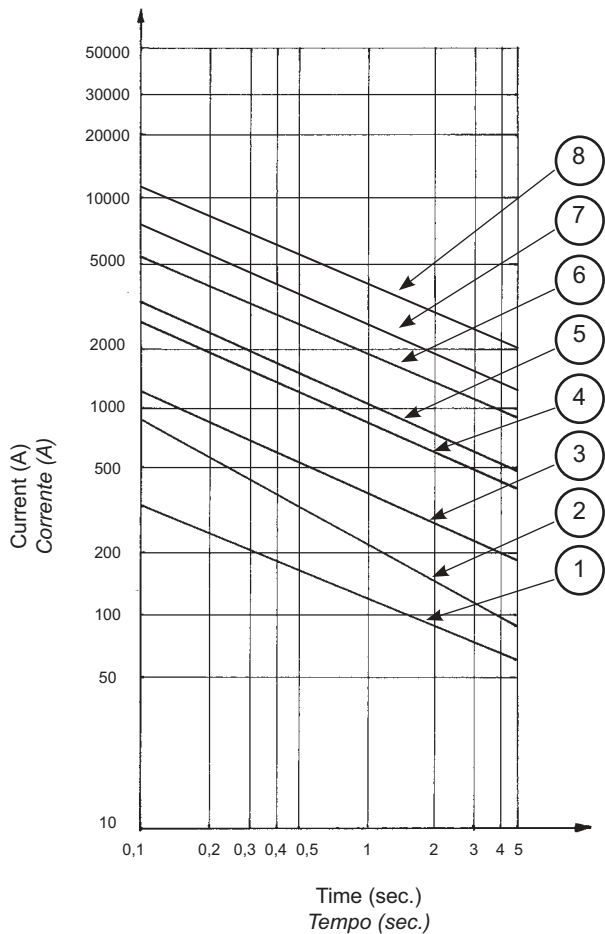
Resistenza ai sovraccarichi e alle correnti di picco:

In un circuito elettrico possono verificarsi correnti di picco dovute ad esempio all'avviamento di motori elettrici o a corto circuiti a seguito di guasti. Eventi di questo tipo, dall'intensità più o meno elevata, sono comunque causa di stress termici per i contatti. Il calore generato risulta difficilmente dissipabile in tempi brevi dal connettore, per cui, nel caso di applicazioni con picchi di corrente frequenti, è necessaria una particolare attenzione nella scelta della configurazione del connettore. I contatti Molex sono generalmente torniti dal pieno quindi relativamente resistenti ai brevi sovraccarichi.

Molex produce anche contatti stampati aventi uno speciale design con punti di contatto multipli che garantiscono una bassa resistenza di contatto ed una bassa sensibilità ai brevi sovraccarichi.

Il grafico seguente offre una guida all'utilizzo dei connettori con correnti di picco.

Short circuit carrying capacity:
Diagramma correnti di picco:

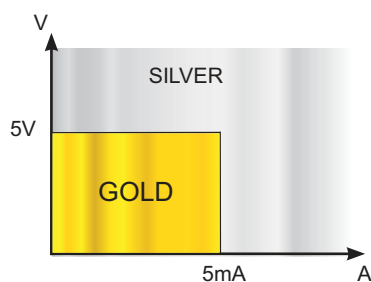


- 1: S-D, S-DD, S-QD 12, S-QD 17, S-Q7 series I_N = 10A
- 2: S-A 3A/4A series I_N = 10A
- 3: S-A (10A,16A) series I_N = 16A
S-E, S-EE, S-EEE, S-ES, S-EP, S-EST
S-EHV, S-ESHV, S-EAV, S-Q 5/0
S-QD 8/0, S-M (16A), S-K8/24
- 4: S-HSB series I_N = 35A
- 5: S-QD 4/2 series I_N = 40A
S-Q2/0, S-K 12/2
S-K 6/36
S-M 40
- 6: S-K 4/8, S-K 4/0 series I_N = 80A
- 7: S-K 6/6, S-M 100/2 series I_N = 100A
- 8: S-M 200/1 series I_N = 300A

Low currents and voltages:

Molex standard contacts have a silver plated surface. This metal has excellent conductive properties. During the contact's lifetime, the silver surface generates a black oxide layer due to its affinity to sulphur (always present in the atmosphere). This layer is conductive smooth and very thin and is partly interrupted when the contacts are mated and unmated, thus guaranteeing very low contact resistances. In the case of very low current or voltage, small changes to the transmitted signal may be encountered.

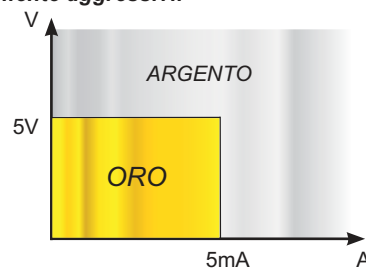
In systems where such a change to the transmitted signal could lead to faulty functions, particularly with voltage and current lower than 5V and 5 mA, and also in extremely aggressive environments, Molex recommend the use of gold plated contacts.



Utilizzo con basse correnti e basse tensioni:

Tutti i contatti standard Molex hanno superficie argentata ottenuta attraverso processo galvanico. Questo metallo offre caratteristiche conduttive eccellenti. Nel corso della vita del contatto, la superficie genera un sottile strato di ossido scuro, tipico dell'argento quando combinato con l'anidride solforosa sempre presente nell'atmosfera. Questo strato è conduttivo, liscio e sottile e viene parzialmente rimosso durante le manovre di inserzione e disinserzione, garantendo così una resistenza di contatto particolarmente ridotta. Nel caso però di utilizzo con tensioni e correnti particolarmente basse, è possibile che si verifichino lievi attenuazioni dei segnali trasmessi.

Al fine di evitare possibili alterazioni dei segnali trasmessi, Molex raccomanda l'utilizzo di contatti dorati in tutte le applicazioni con valori di tensione e corrente inferiori a 5V e a 5 mA, specialmente se installati in ambienti industriali particolarmente aggressivi.

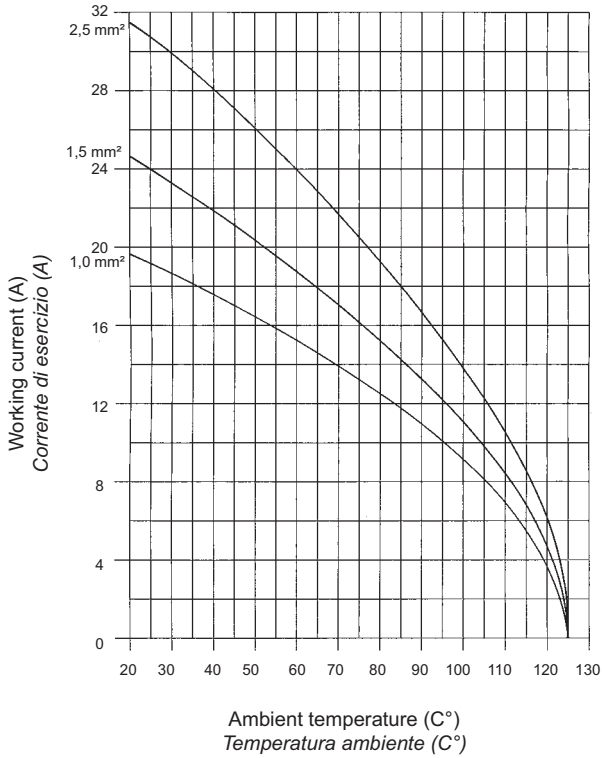


Index <i>Indice</i>	Technical characteristics pages <i>Caratteristiche tecniche pagine</i>	Load diagram pages <i>Diagrammi di carico pagine</i>
Series: S-A 3/4, 3p, 4p	01.01	00.23
Series: S-A, S-AC, 10p, 16p	01.03	00.23
Series: S-D, 7p	01.13	00.24
Series: S-D, 8p	01.15	00.24
Series: S-D, 15p, 25/50p, 40/80p, 64/128p	01.17	00.24 ÷ 00.26
Series: S-DD, 24p, 42p, 72/144p, 108/216p	01.28	00.27
Series: S-E / S-EC, 6p, 10p, 16/32p, 24/48p	02.01	00.28
Series: S-ES, 6p, 10p, 16/32p, 24/48p	02.16	00.31
Series: S-EP, 6p, 10p, 16/32p, 24/48p	02.23	00.32
Series: S-EST, 6p, 10p, 16/32p, 24/48p	02.31	00.28
Series: S-EE, 10p, 18p, 32/64p, 46/92p	02.39	00.29
Series: S-EEE, 40p, 64p	02.47	00.30
Series: S-EAV, 6p, 10p, 16p, 24p	03.03	00.28
Series: S-EHV, 3+2p, 6+2/12+4p, 10+2p/20+4p, 16+2p	04.02	00.33
Series: S-ESHV, 3+2p, 6+2/12+4p, 10+2p/20+4p	04.16	00.34
Series: S-HSB, 6/12p	05.01	00.35
Series: S-K, 8/24p	06.01	00.35
Series: S-K, 12/2p	06.03	00.35
Series: S-K, 6/36p	06.05	00.35
Series: S-K, 4/0p, 4/2p	06.07	00.36
Series: S-K, 4/8p	06.09	00.36
Series: S-K, 6/6p	06.11	00.36
Series: S-Q, 2/0p	07.01	00.37
Series: S-Q, 5/0p	07.04	00.37
Series: S-Q, 7/0p	07.06	00.37
Series: S-Q, 12p	07.08	00.38
Series: S-QD, 8p	07.10	00.38
Series: S-QD, 17p	07.12	00.39
Series: S-QD, 4/2p	07.14	00.39
Series: S-DD/PCB	08.02	00.40
Series: S-E/PCB	08.06	00.41
Series: S-Q7/PCB	08.10	00.39

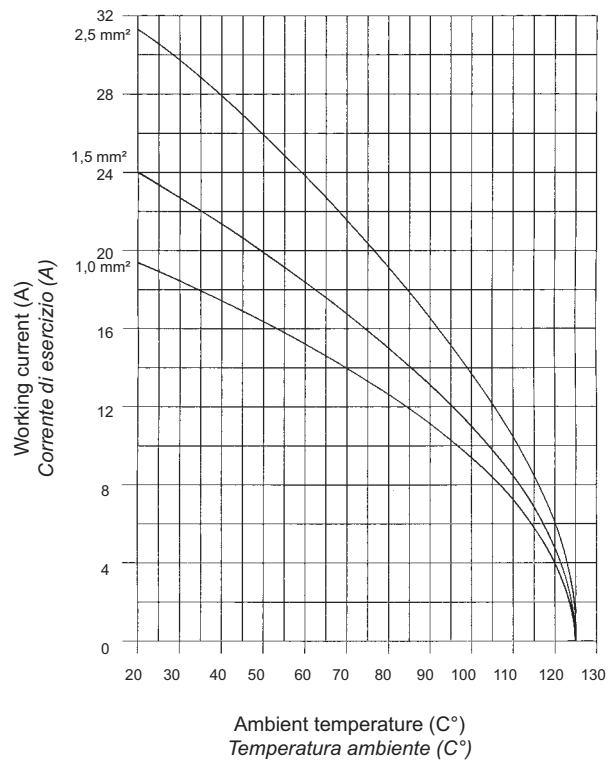
Index <i>Indice</i>	Technical characteristics pages <i>Caratteristiche tecniche pagine</i>	Load diagram pages <i>Diagrammi di carico pagine</i>
Series: S-M200/1, 200A, 1p, crimp terminal	12.11	00.42
Series: S-M100/2, 100A, 2p, crimp terminals	12.13	00.42
Series: S-M70/2, 70A, 2p, crimp terminals	12.15	00.43
Series: S-M40/2A, 40A, 2p, axial terminals	12.17	00.43
Series: S-M40/2C, 40A, 2p, crimp terminals	12.19	00.43
Series: S-M40/3A, 40A, 3p, axial terminals	12.21	00.44
Series: S-M40/3C, 40A, 3p, crimp terminals	12.23	00.44
Series: S-M40/4, 40A, 4p, crimp terminals	12.25	00.44
Series: S-M40/3/4, 3px40A + 4px10A, crimp terminals	12.27	00.44
Series: S-M16/6, 16A, 6p, crimp terminals	12.29	00.45
Series: S-M16/6HV, 16A, 6p, crimp terminals	12.31	00.45
Series: S-M16/8, 16A, 8p, crimp terminals	12.33	00.45
Series: S-M16/20, 16A, 20p, crimp terminals	12.35	00.45
Series: S-M16/5, 16A, 5p, spring terminals	12.37	00.46
Series: S-M16/2HV, 16A, 2900/5000V, 2p, crimp terminals	12.39	00.46
Series: S-M10/12, 10A, 12p, crimp terminals	12.41	00.46
Series: S-M10/17, 10A, 17p, crimp terminals	12.43	00.46
Series: S-MD/25, 4A, 25p, crimp terminals	12.45	00.47
Series: S-MD/9, 5A, 9p, crimp terminals	12.47	00.47

S-A series: 3p, 4p - S-A / S-AC series: 10p, 16/32p

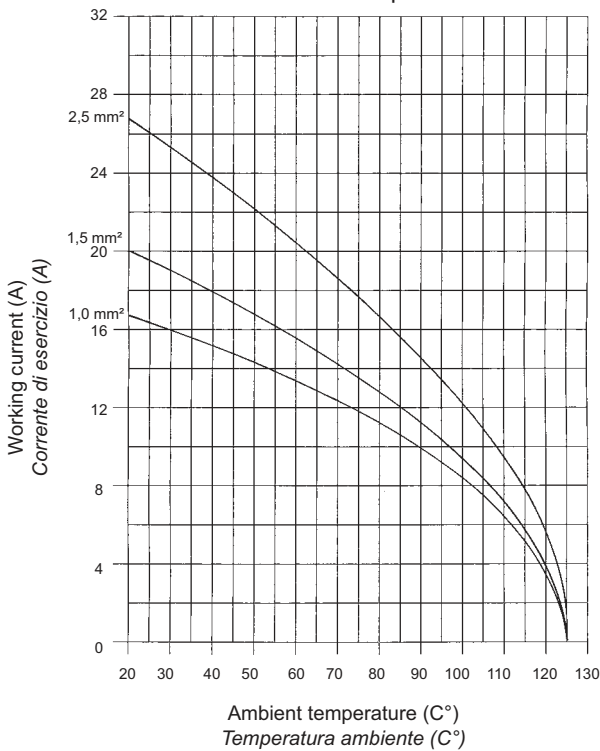
S-A 3/4 series: 3p + ⊕



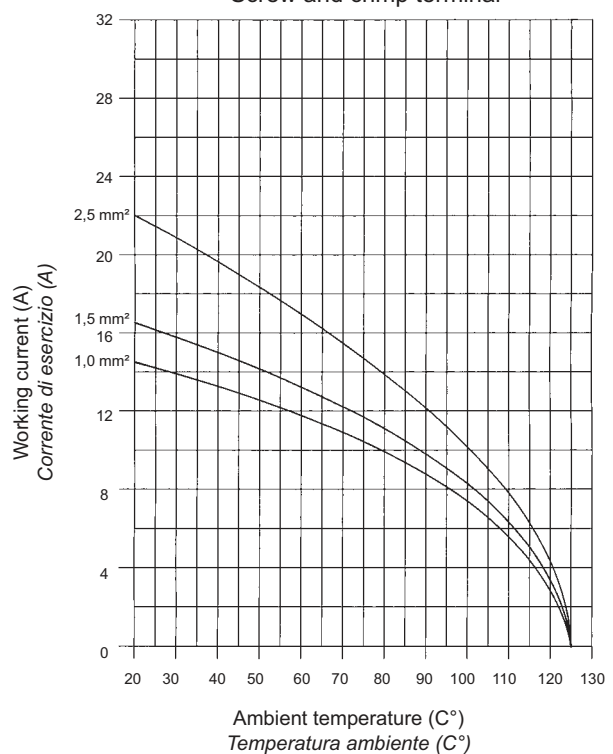
S-A 3/4 series: 4p + ⊕



S-A, S-AC series: 10p + ⊕
 Screw and crimp terminal



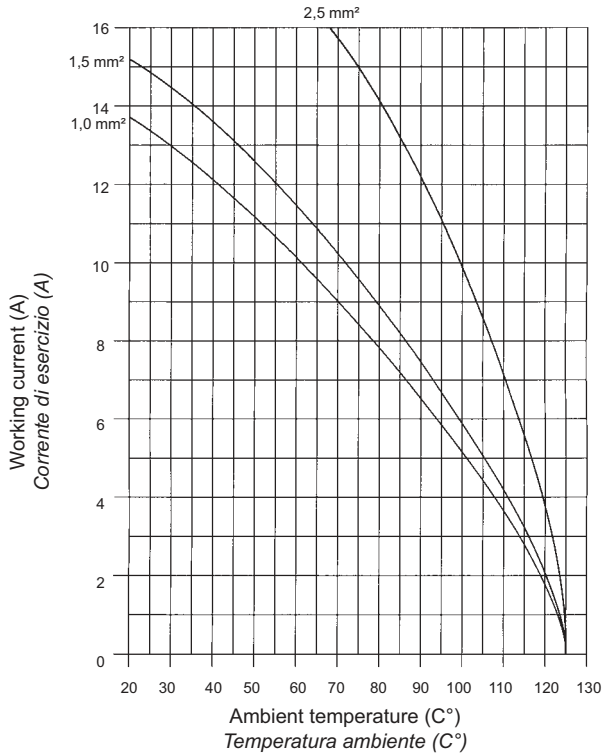
S-A, S-AC series: 16/32p + ⊕
 Screw and crimp terminal



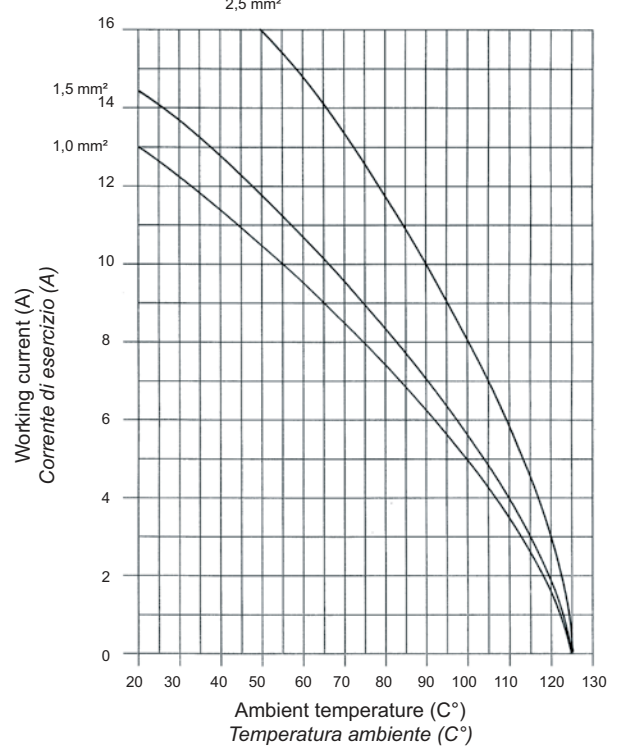
Technical characteristics
 Caratteristiche tecniche : S-A 3/4 pag. 01.01 / S-A, S-AC pag. 01.03

S-D series: 7p, 8p, 15p

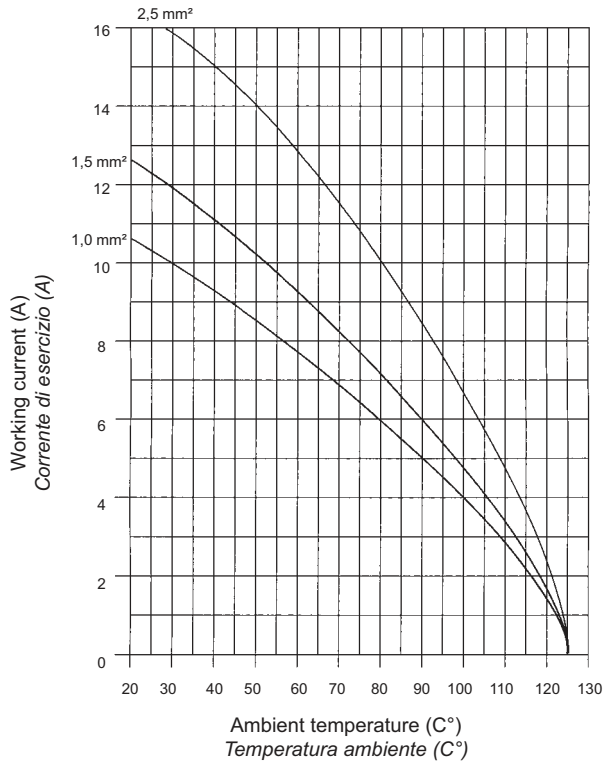
S-D series: 7/8p + Ⓢ
 Turned contacts - *Contatti torniti*



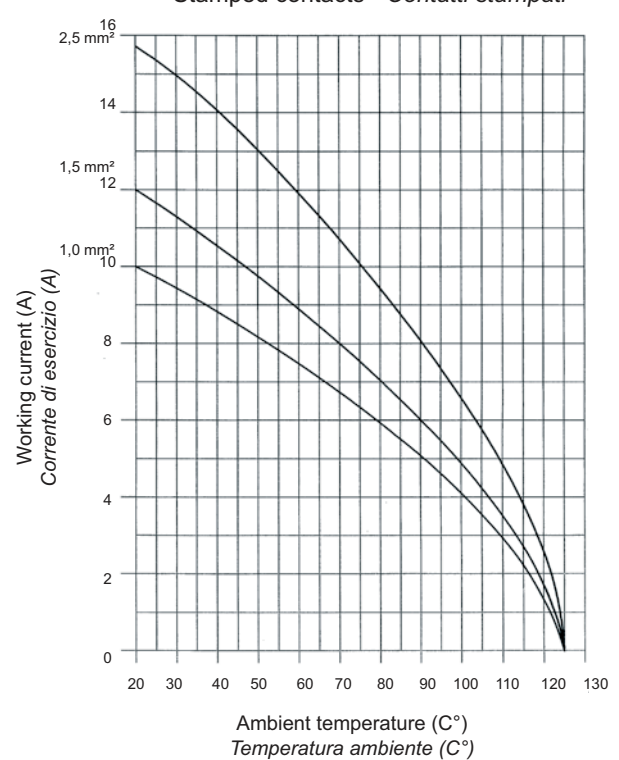
S-D series: 7/8p + Ⓢ
 Stamped contacts - *Contatti stampati*



S-D series: 15p + Ⓢ
 Turned contacts - *Contatti torniti*



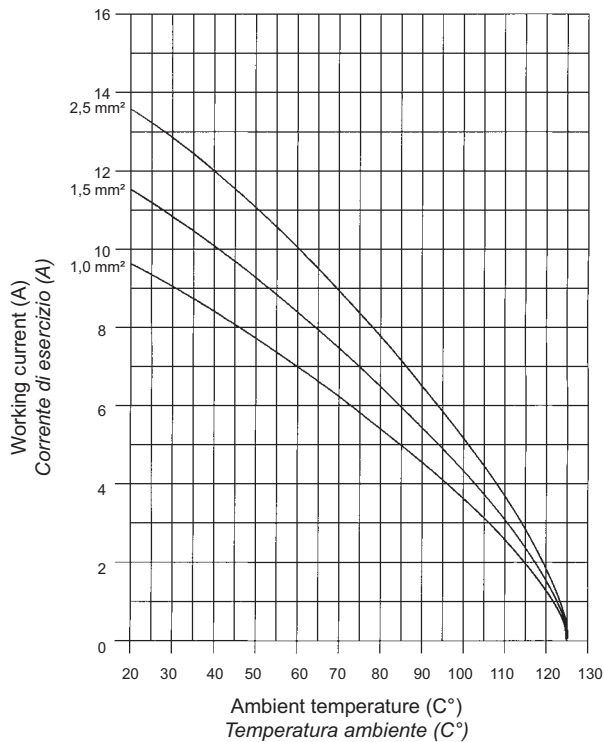
S-D series: 15p + Ⓢ
 Stamped contacts - *Contatti stampati*



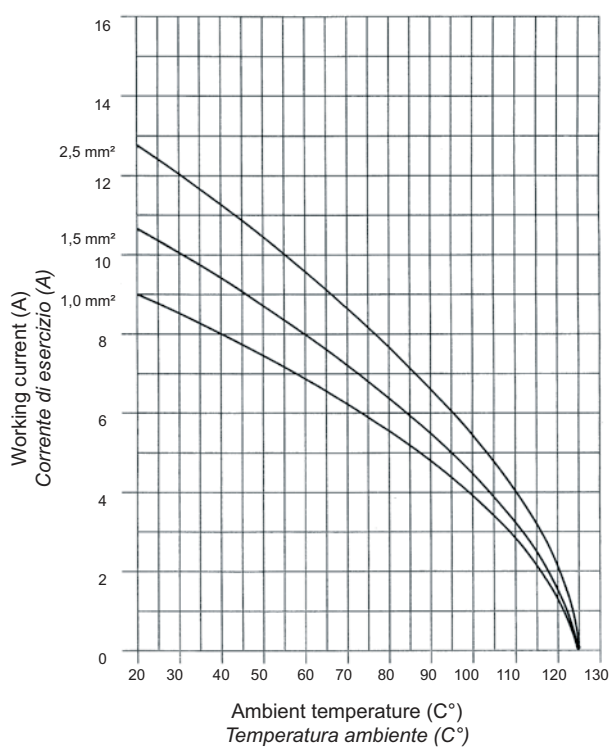
Technical characteristics
 Caratteristiche tecniche : S-D7 pag. 01.13 / S-D8 pag. 01.15 / S-D15 pag. 01.17

S-D series: 25/50p, 40/80p

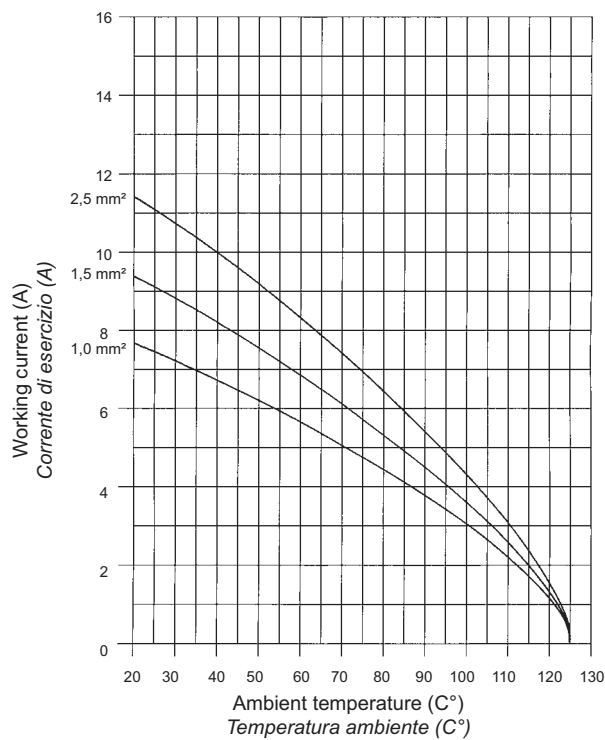
S-D series: 25/50p + ⊕
 Turned contacts - *Contatti torniti*



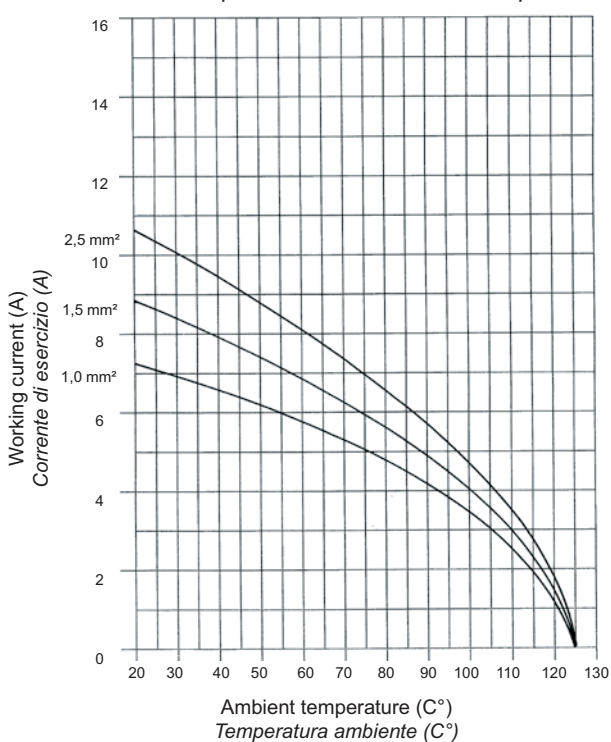
S-D series: 25/50p + ⊕
 Stamped contacts - *Contatti stampati*



S-D series: 40/80p + ⊕
 Turned contacts - *Contatti torniti*



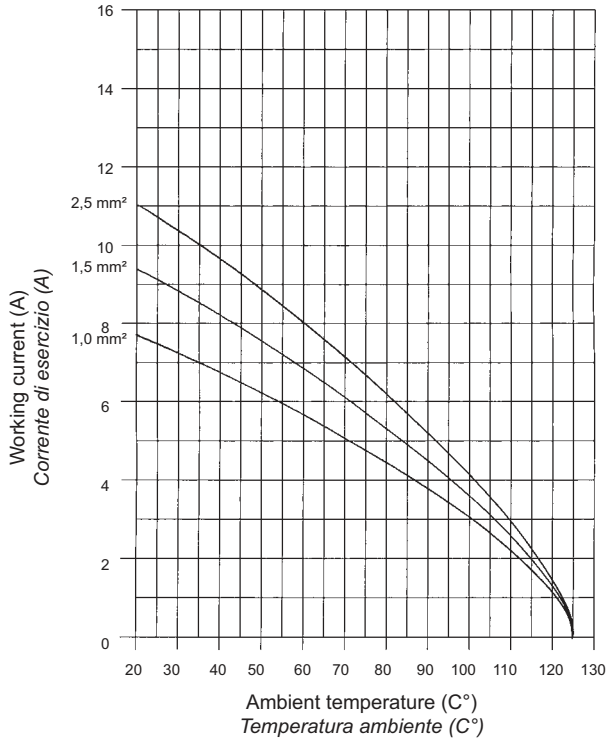
S-D series: 40/80p + ⊕
 Stamped contacts - *Contatti stampati*



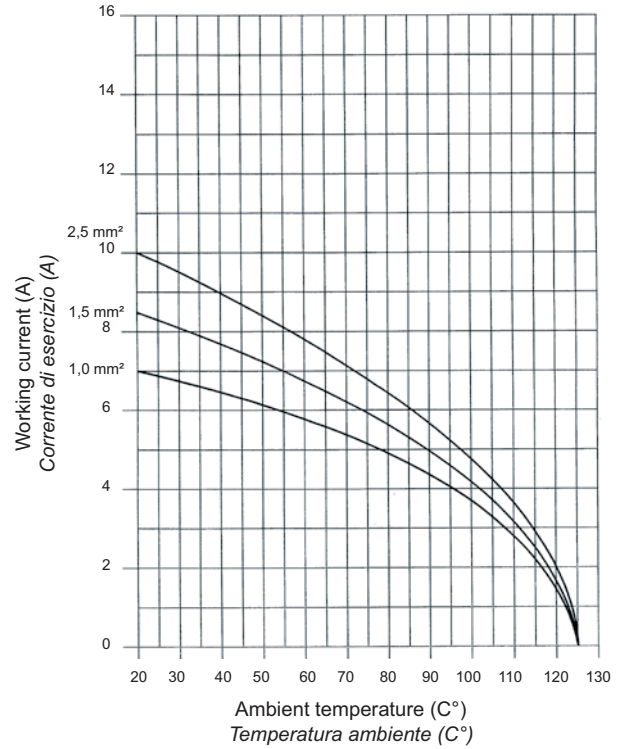
Technical characteristics
 Caratteristiche tecniche : S-D 25/50, S-D 40/80 pag. 01.17

S-D series: 64/128p

S-D series: 64/128p + ⊕
 Turned contacts - *Contatti torniti*



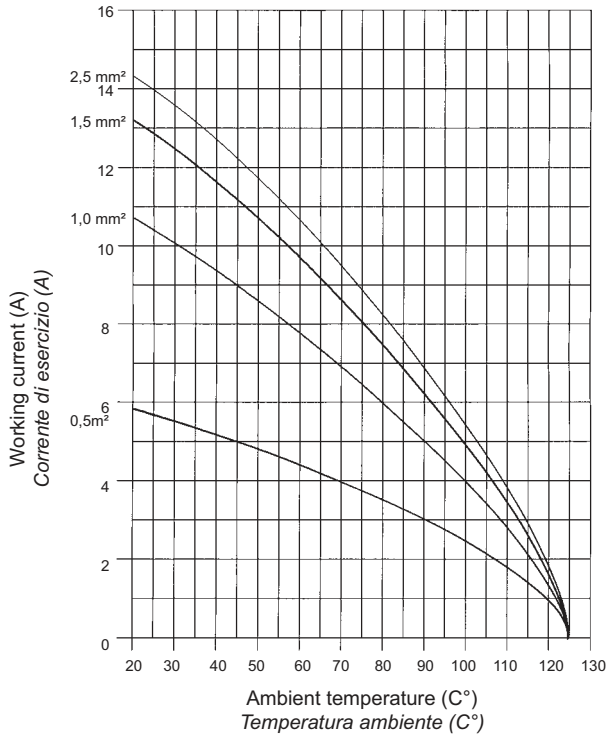
S-D series: 64/128p + ⊕
 Stamped contacts - *Contatti stampati*



S-DD series: 24p, 42p, 72/144p, 108/216p

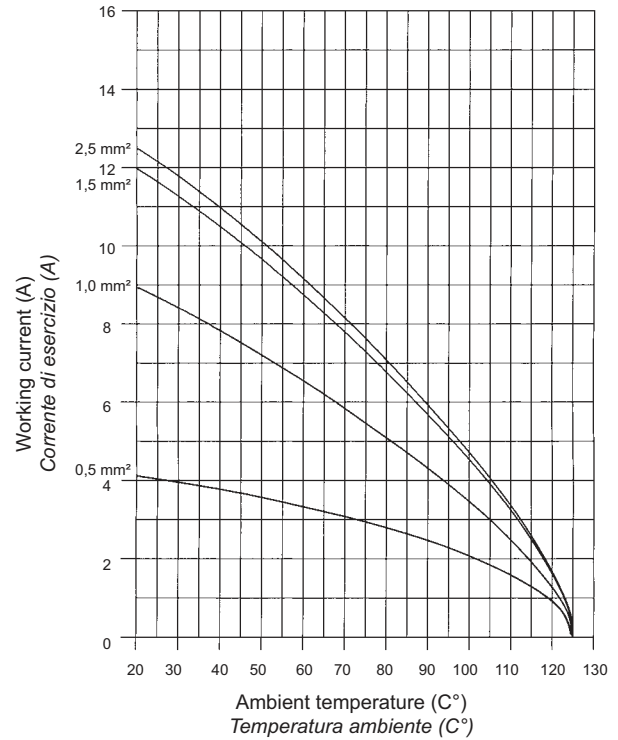
S-DD series: 24p + Ⓢ

Turned contacts - *Contatti torniti*



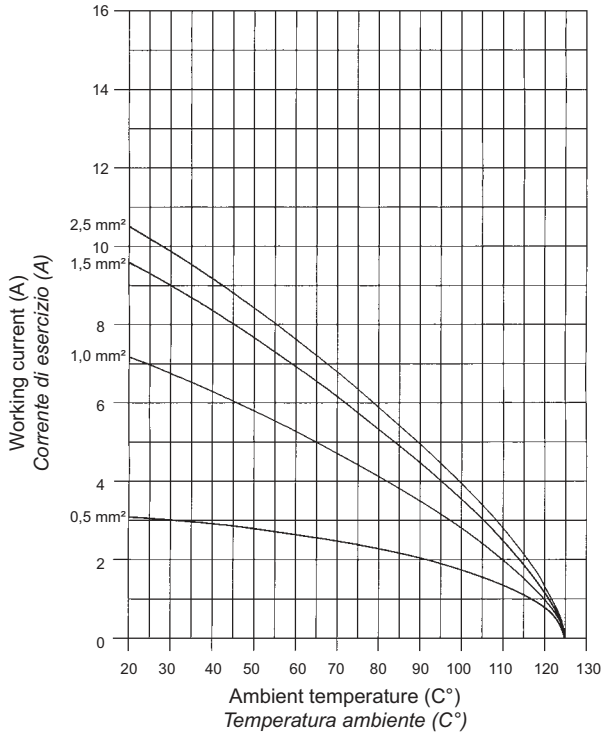
S-DD series: 42p + Ⓢ

Turned contacts - *Contatti torniti*



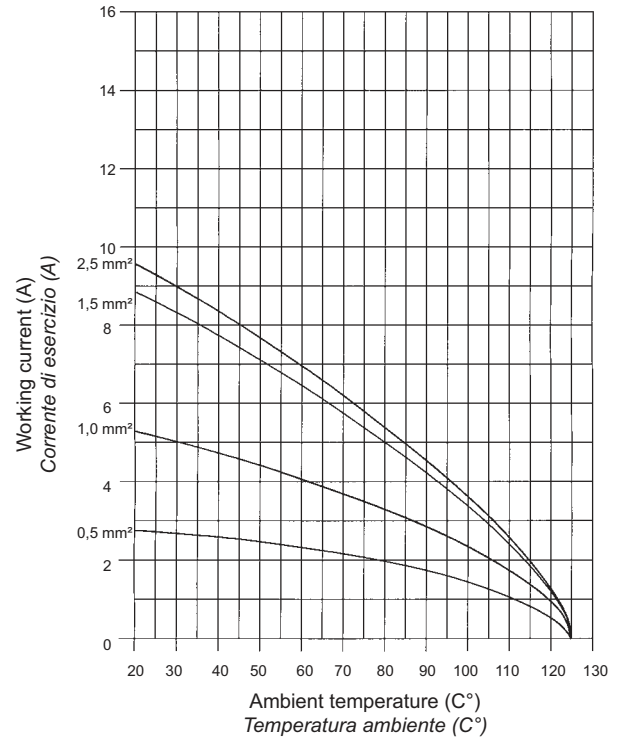
S-DD series: 72/144p + Ⓢ

Turned contacts - *Contatti torniti*



S-DD series: 108/216p + Ⓢ

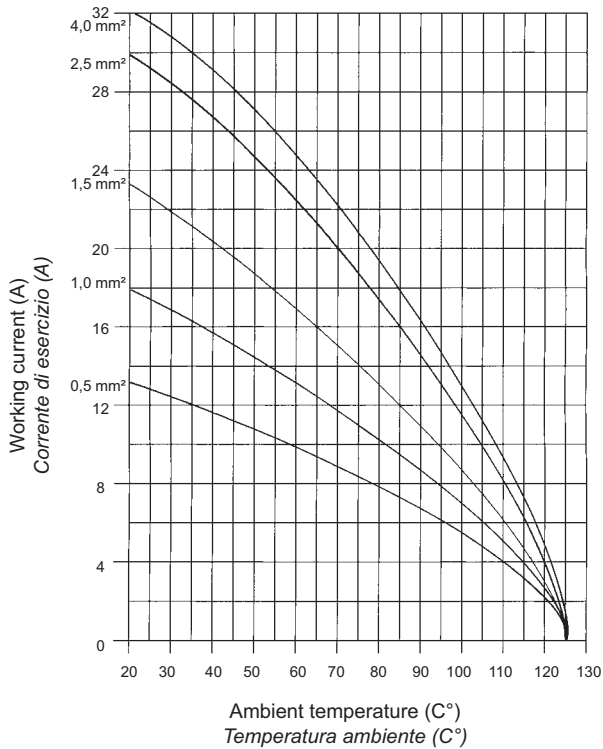
Turned contacts - *Contatti torniti*



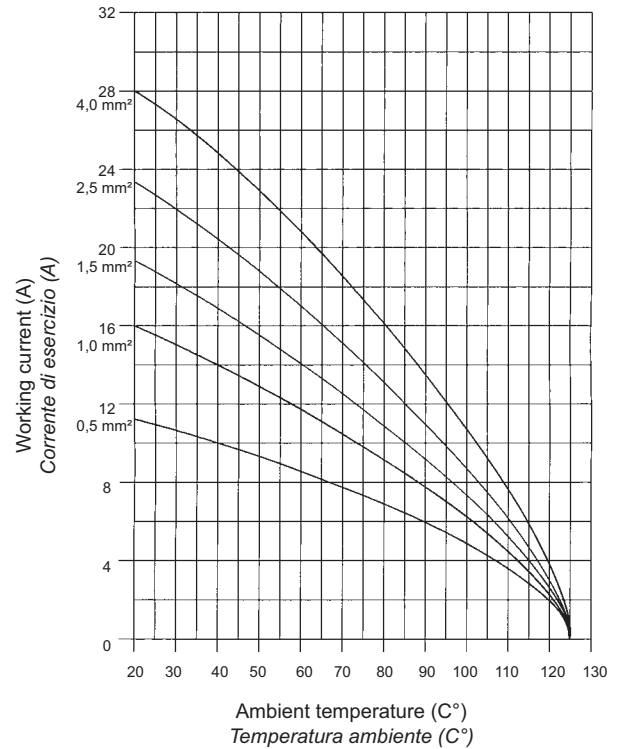
Technical characteristics : S-DD pag. 01.28
 Caratteristiche tecniche

S-E, S-EC, S-EST, S-EAV series: 6p, 10p, 16/32p, 24/48p

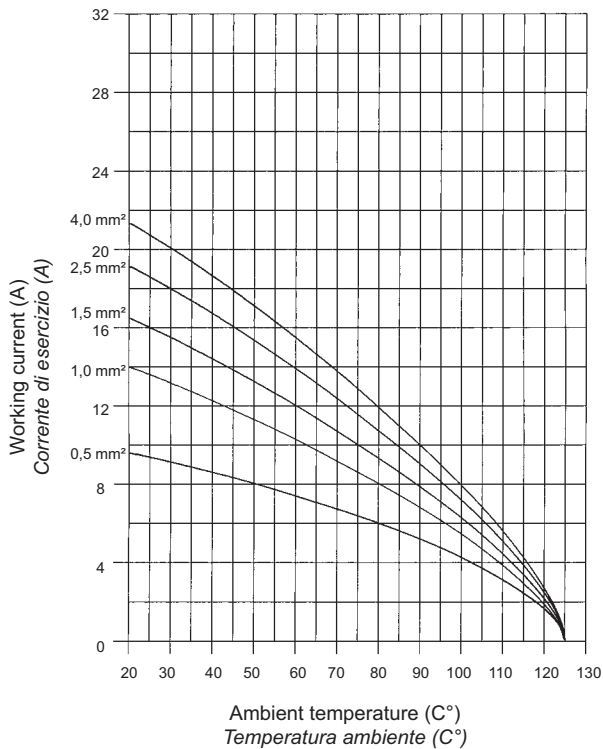
S-E, S-EC, S-EST, S-EAV series: 6p + ⊕



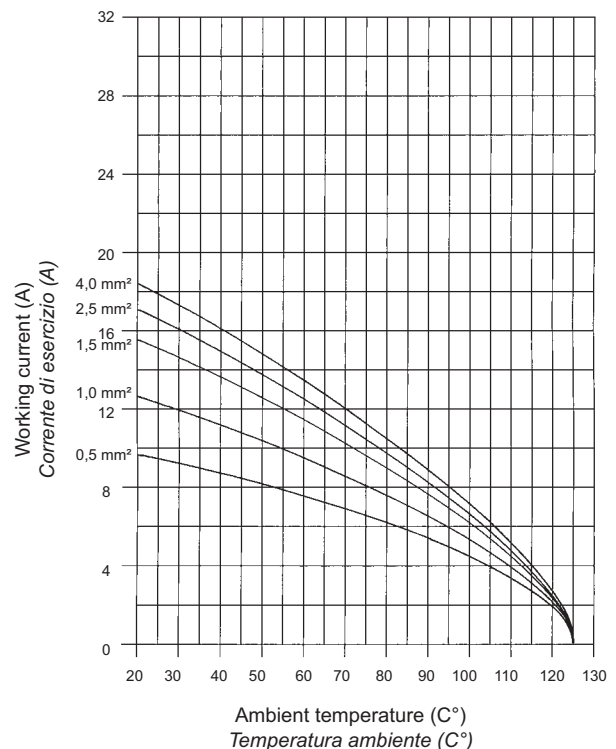
S-E, S-EC, S-EST, S-EAV series: 10p + ⊕



S-E, S-EC, S-EST, S-EAV series: 16/32p + ⊕



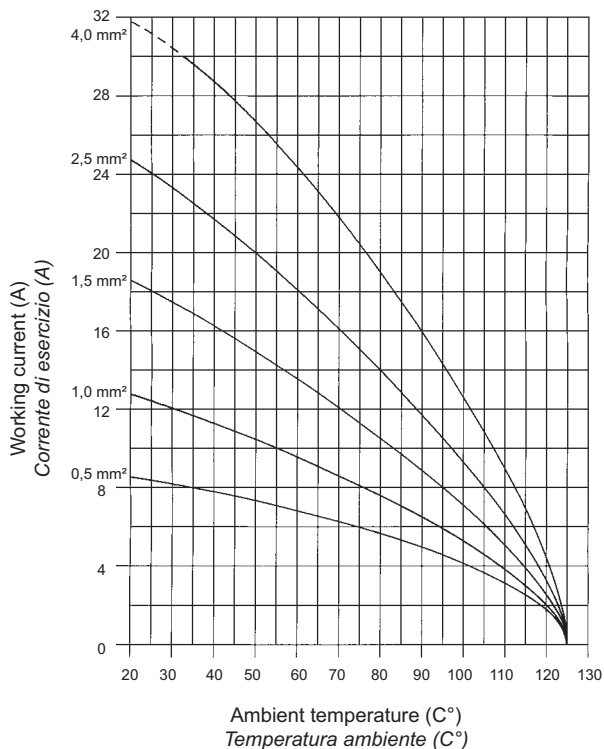
S-E, S-EC, S-EST, S-EAV series: 24/48p + ⊕



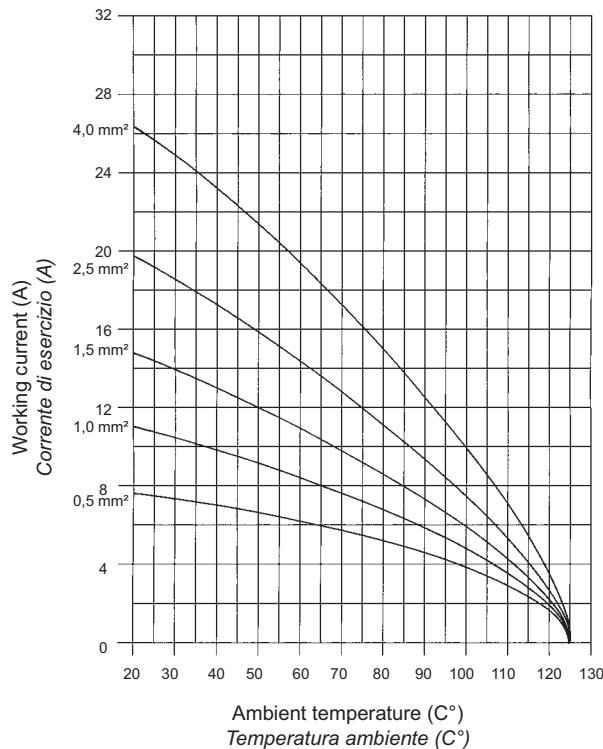
Technical characteristics : S-E/S-EC pag. 02.01, S-EST pag. 02.31, S-EAV pag. 03.03
 Caratteristiche tecniche

S-EE series: 10p, 18p, 32/64p, 46/92p

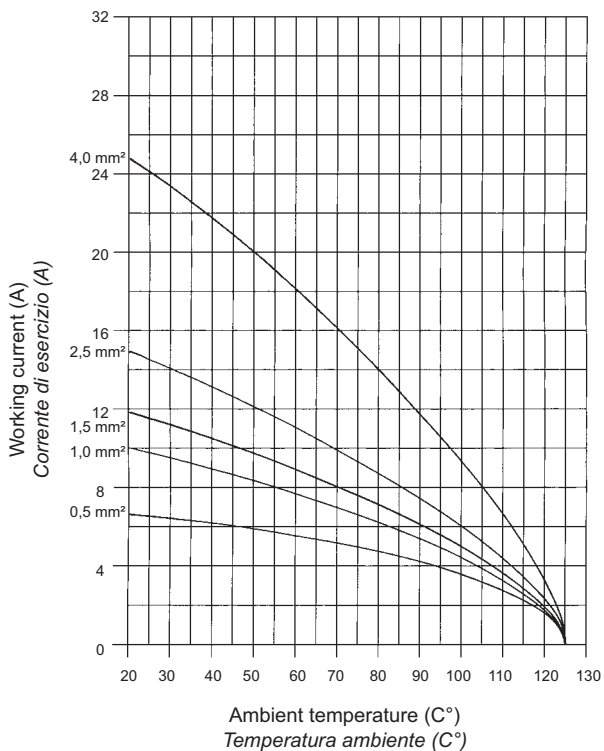
S-EE series: 10p + ⊕



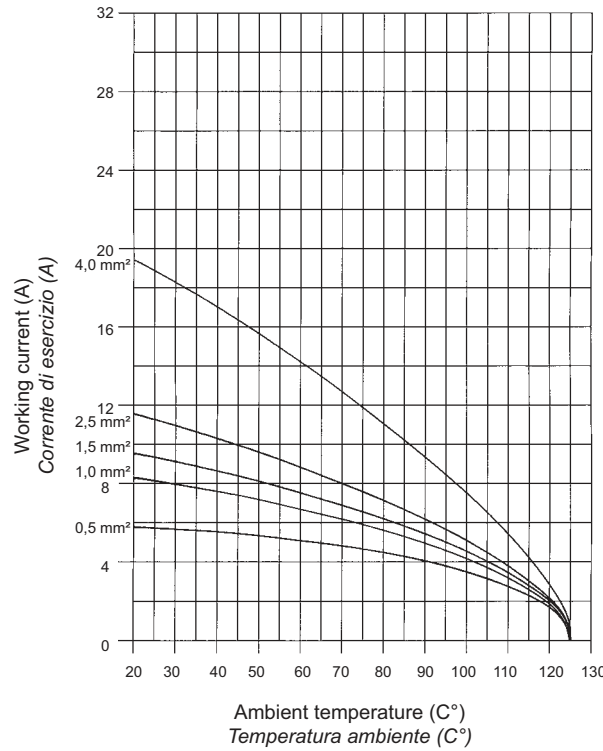
S-EE series: 18p + ⊕



S-EE series: 32/64p + ⊕



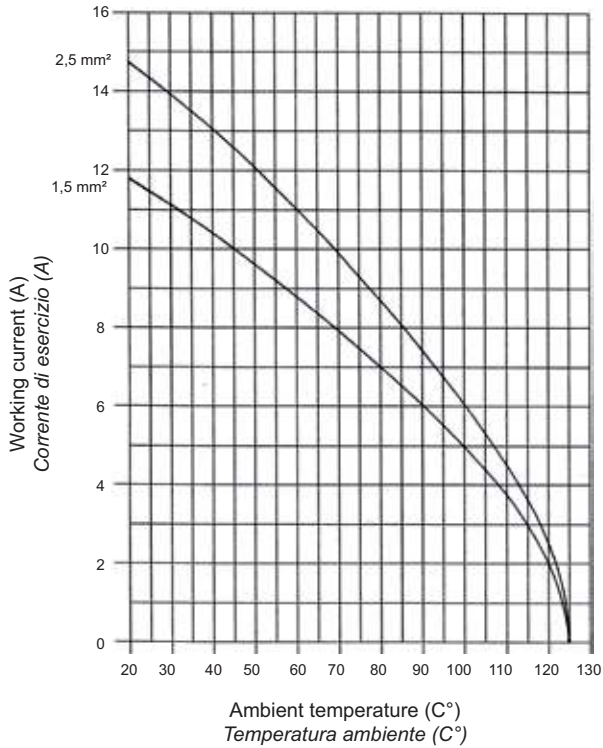
S-EE series: 46/92p + ⊕



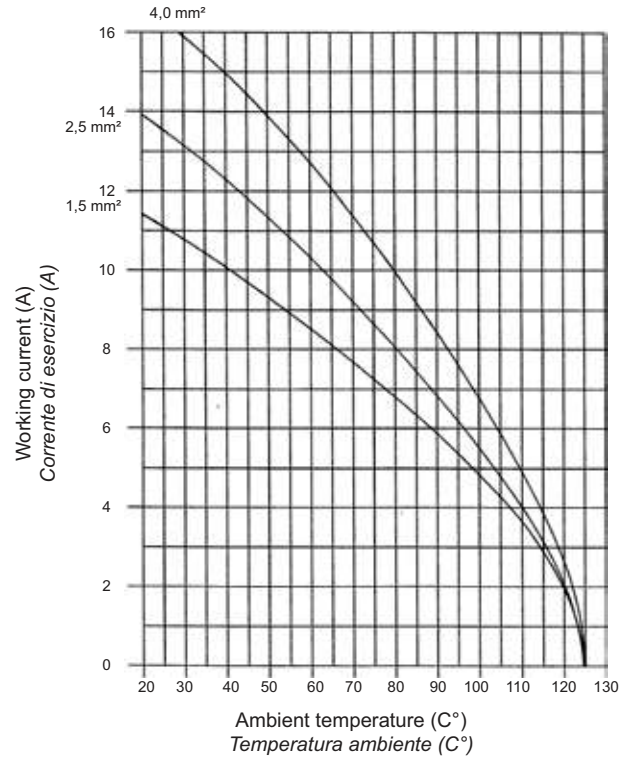
Technical characteristics : S-EE pag. 02.39
 Caratteristiche tecniche

S-EEE series: 40p, 64p

S-EEE series: 40p + ⊕

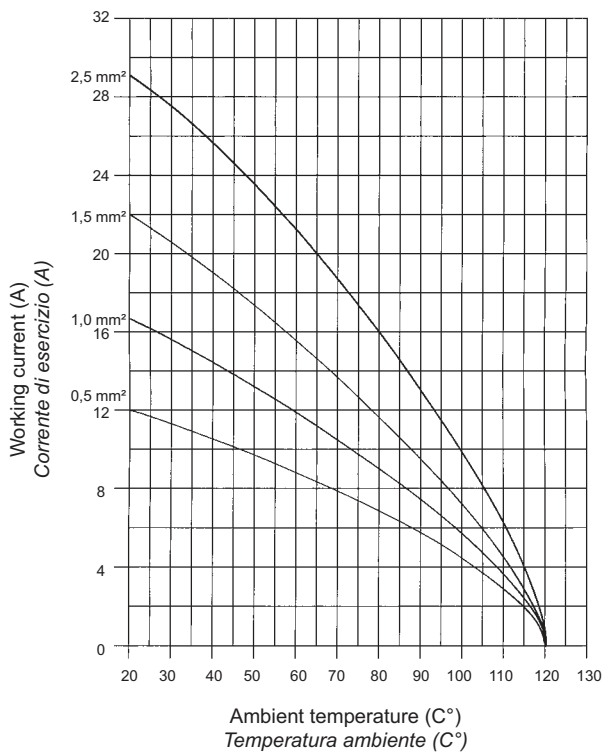


S-EEE series: 64p + ⊕

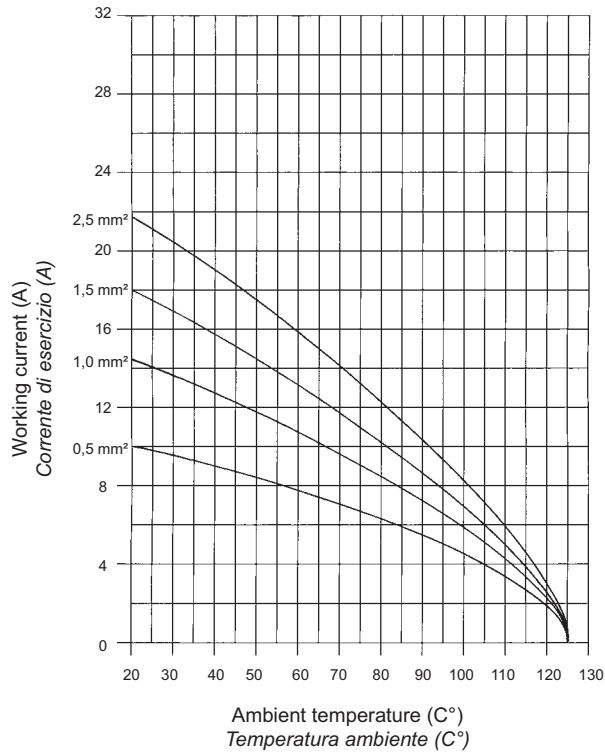


S-ES series: 6p, 10p, 16/32p, 24/48p

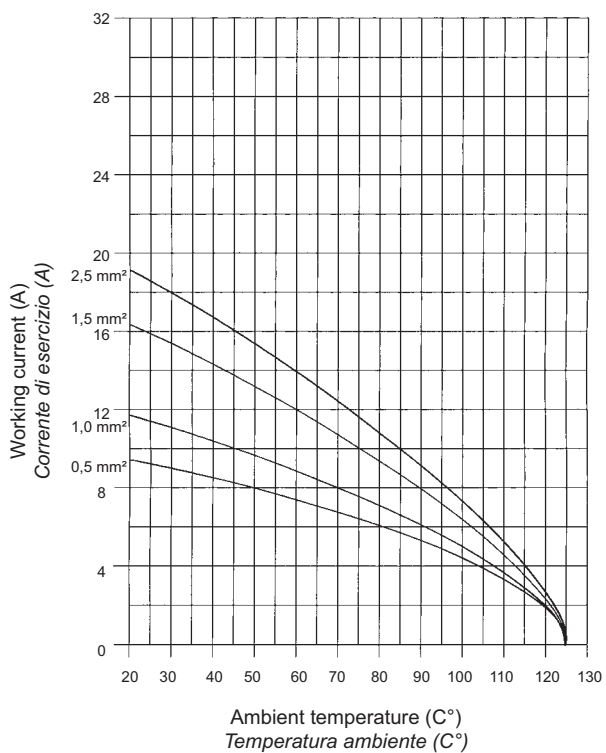
S-ES series: 6p + ⊕



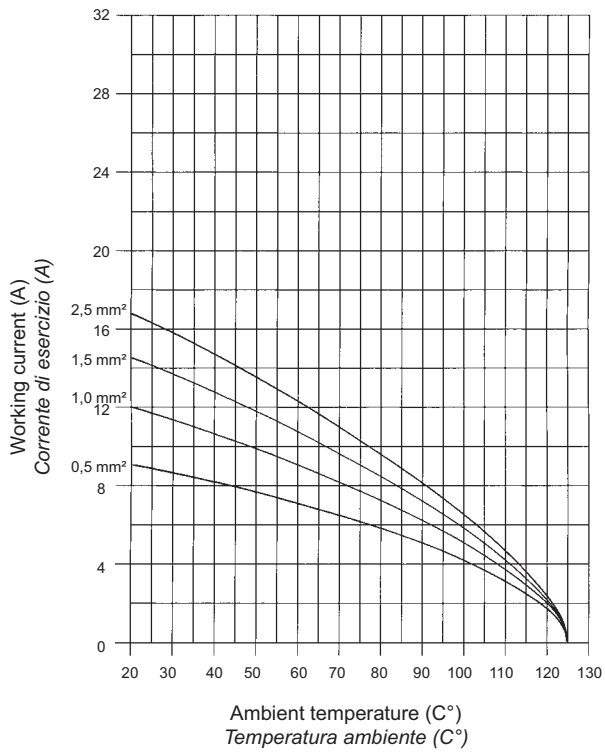
S-ES series: 10p + ⊕



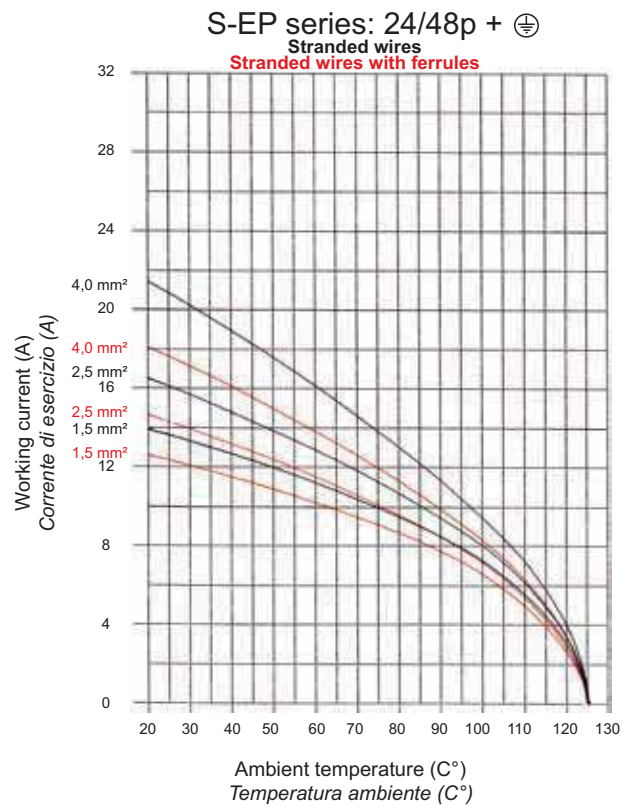
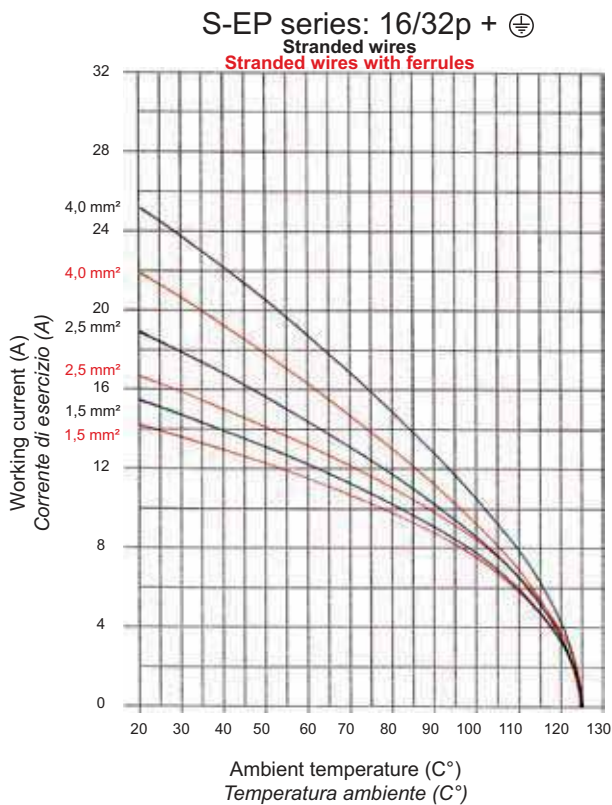
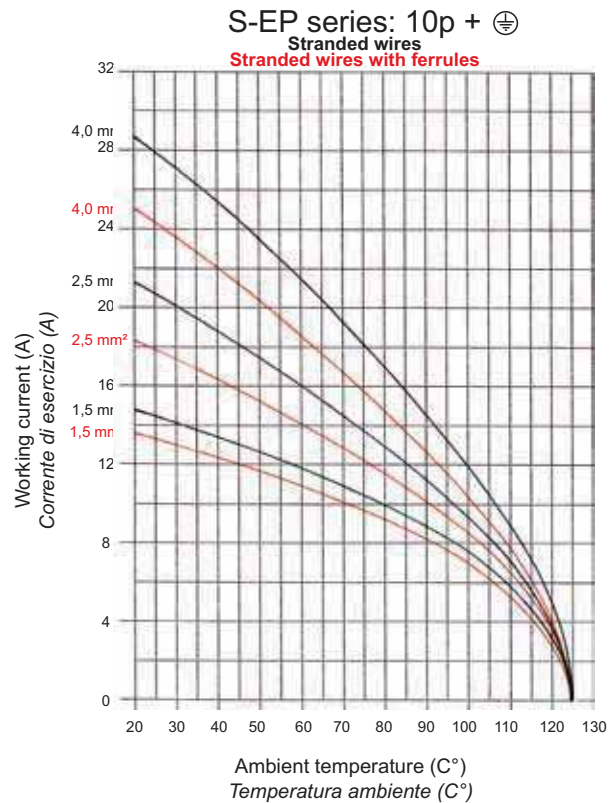
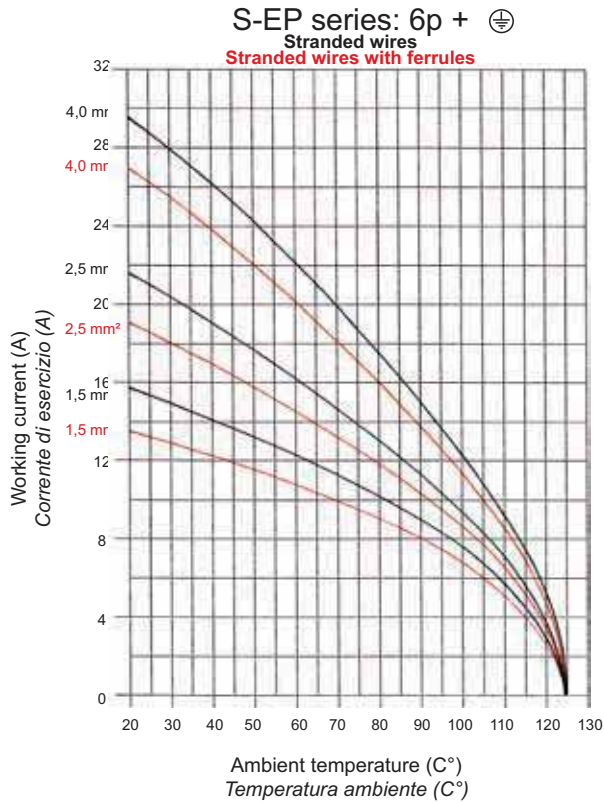
S-ES series: 16/32p + ⊕



S-ES series: 24/48p + ⊕



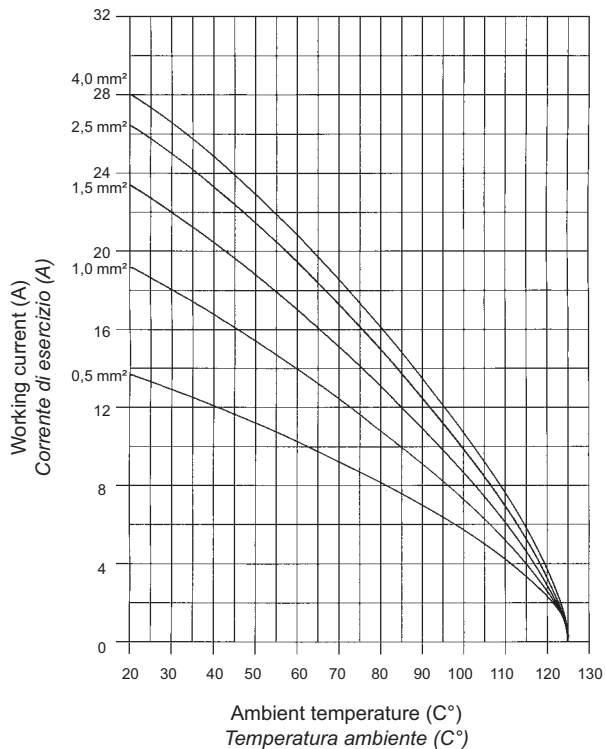
S-EP series: 6p, 10p, 16/32p, 24/48p



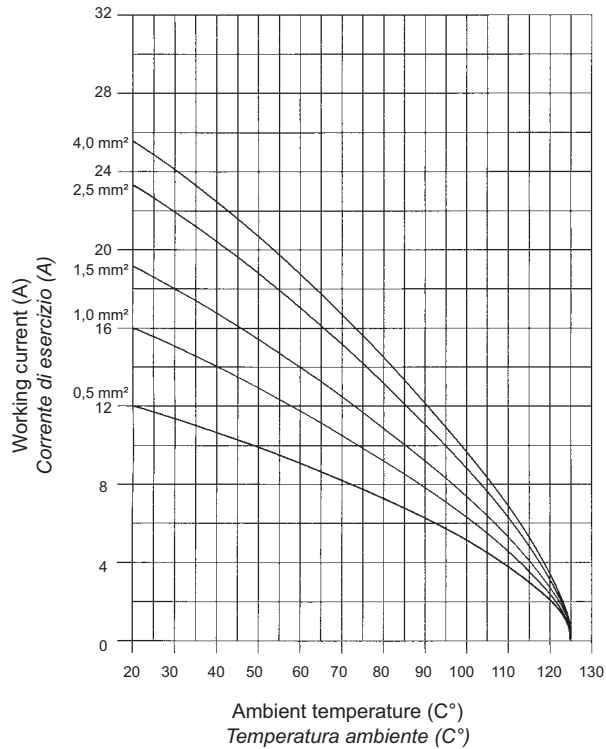
Technical characteristics : S-EP pag. 02.23
 Caratteristiche tecniche

S-EHV series: 3p+2p, 6p+2p/12p+4p, 10p+2p/20p+4p, 16+2p

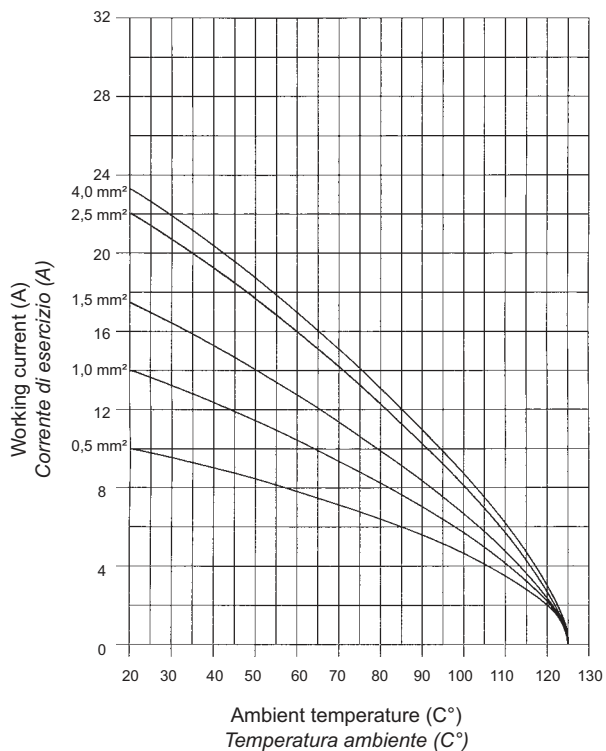
S-EHV series: 3p + 2p + ⊕



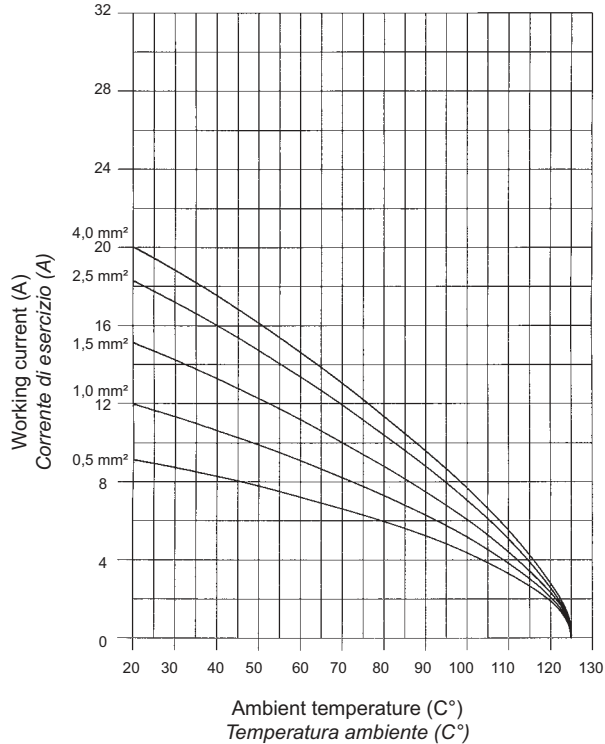
S-EHV series: 6p+2p+ ⊕ / 12p + 4p + ⊕



S-EHV series: 10p+2p+ ⊕ / 20p + 4p ⊕



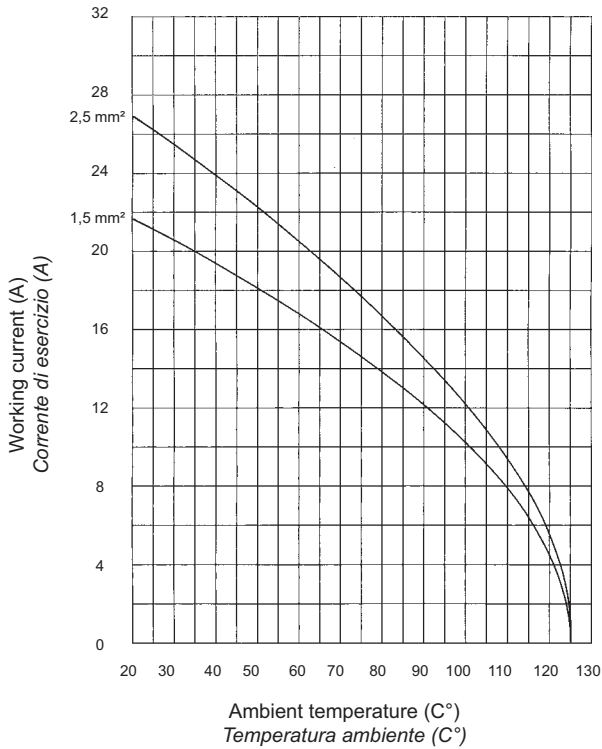
S-EHV series: 16p+2p+ ⊕ / 32p + 4p + ⊕



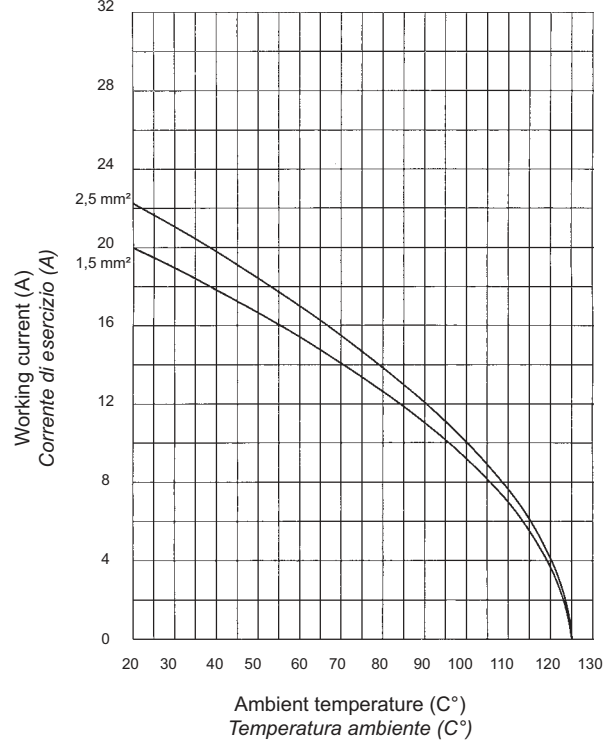
Technical characteristics : S-EHV pag. 04.02
 Caratteristiche tecniche

S-ESHV series: 3p+2p, 6p+2p/12p+4p, 10p+2p/20p+4p

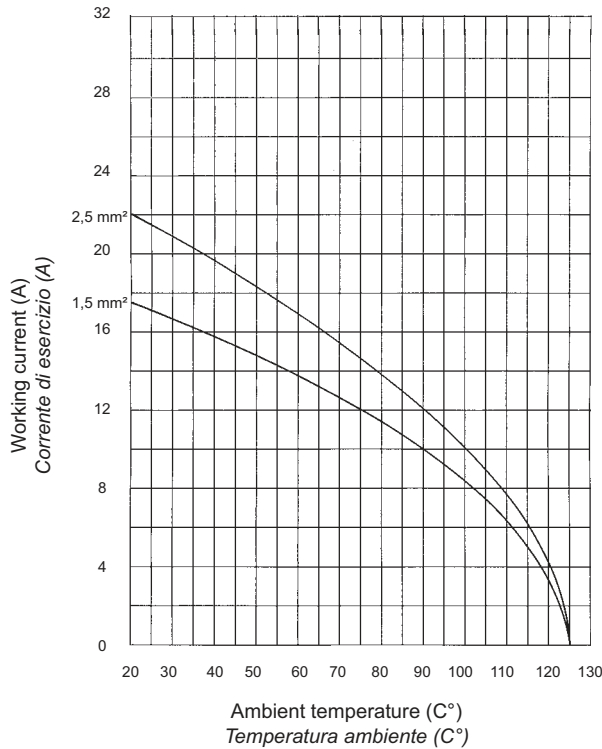
S-ESHV series: 3p + 2p + ⊕



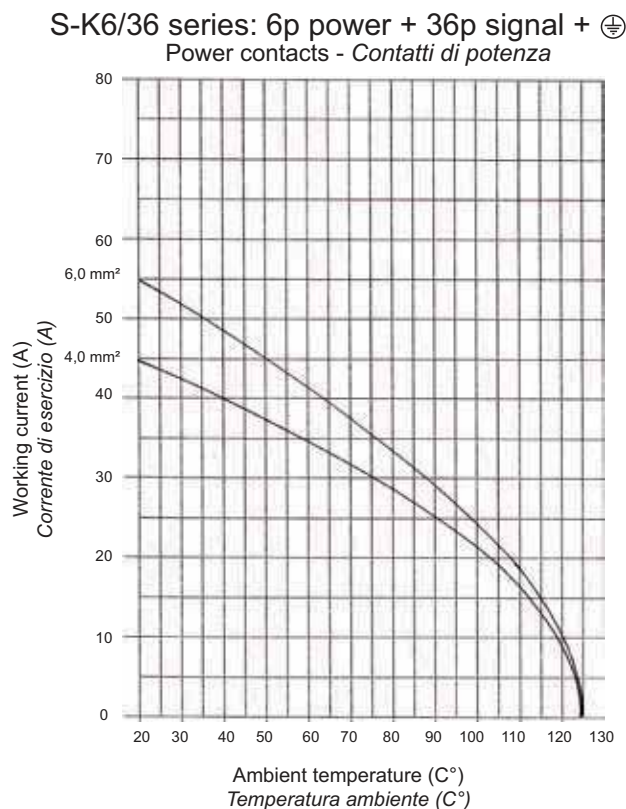
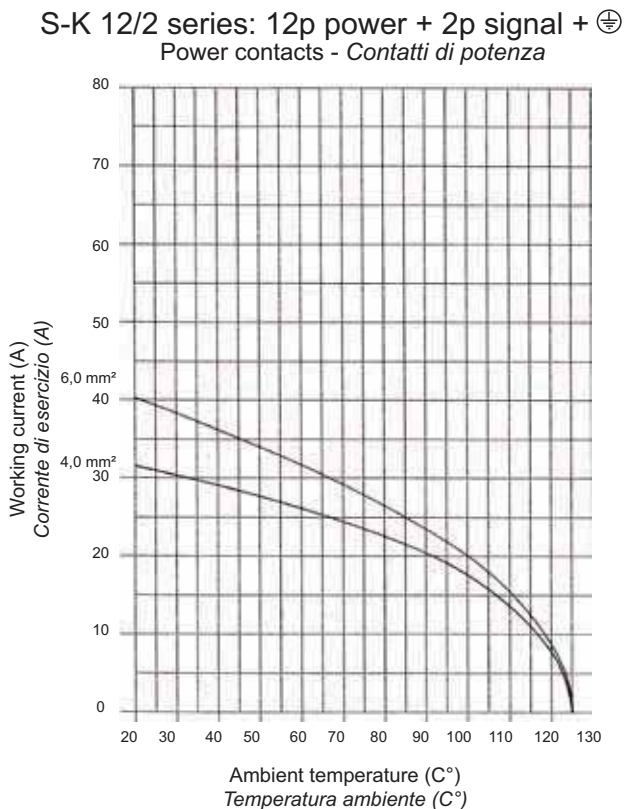
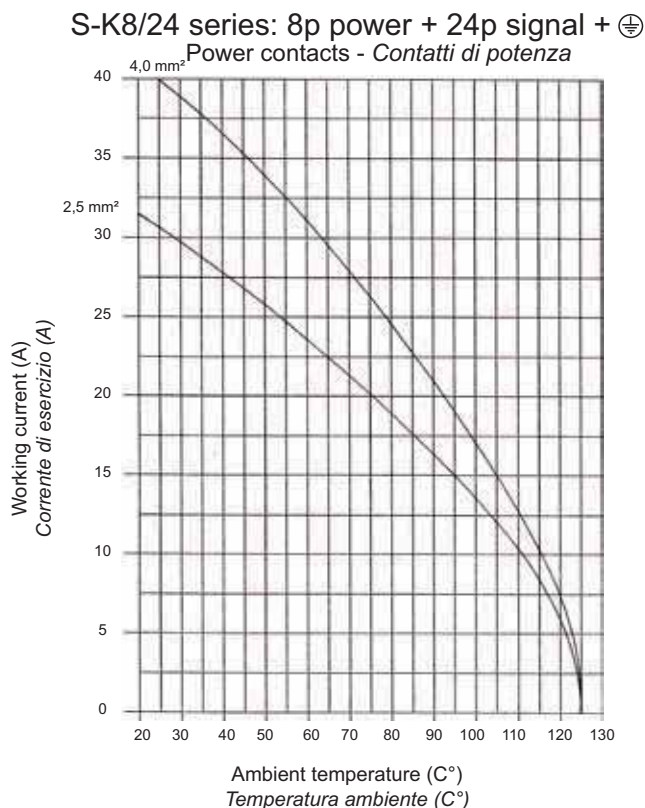
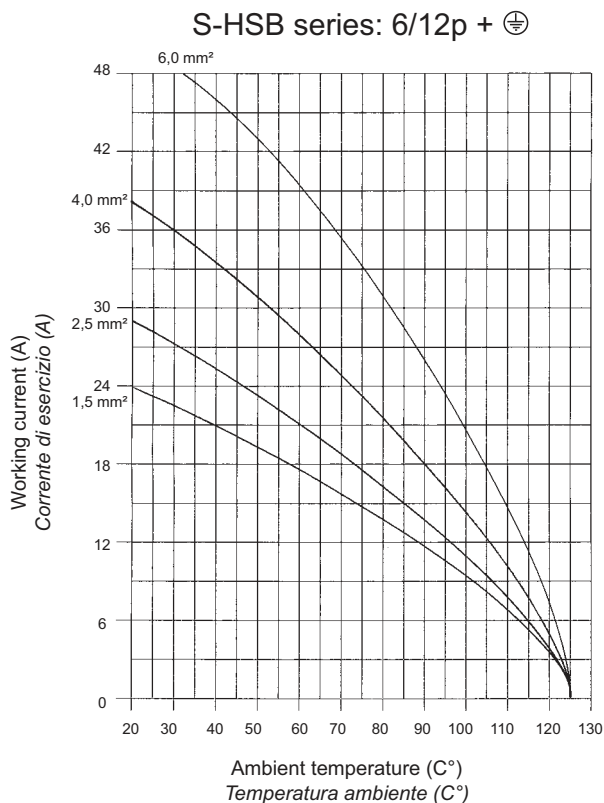
S-ESHV series: 6p+2p+⊕ / 12p + 4p + ⊕



S-ESHV series: 10p+2p+⊕ / 20p + 4p + ⊕



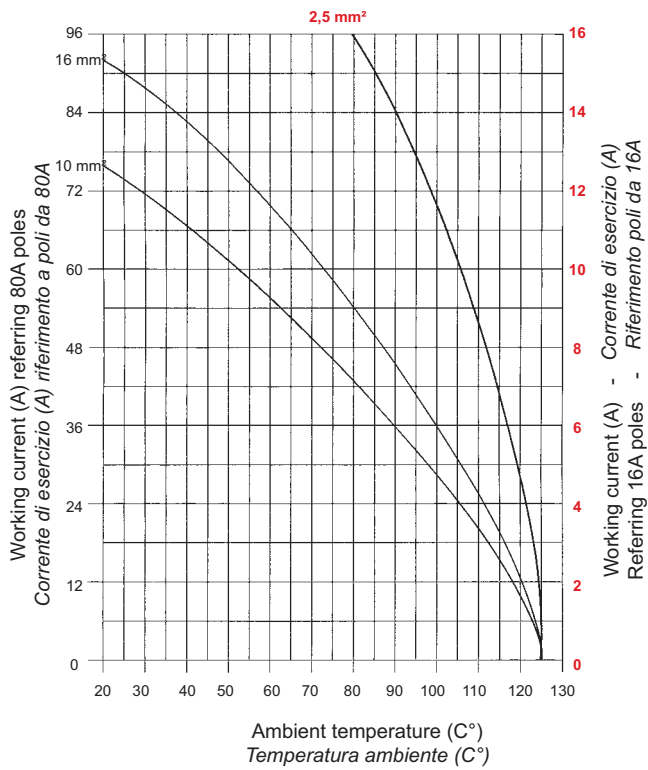
Series: S-HSB 6/12p, S-K 8/24, S-K 12/2, S-K 6/36



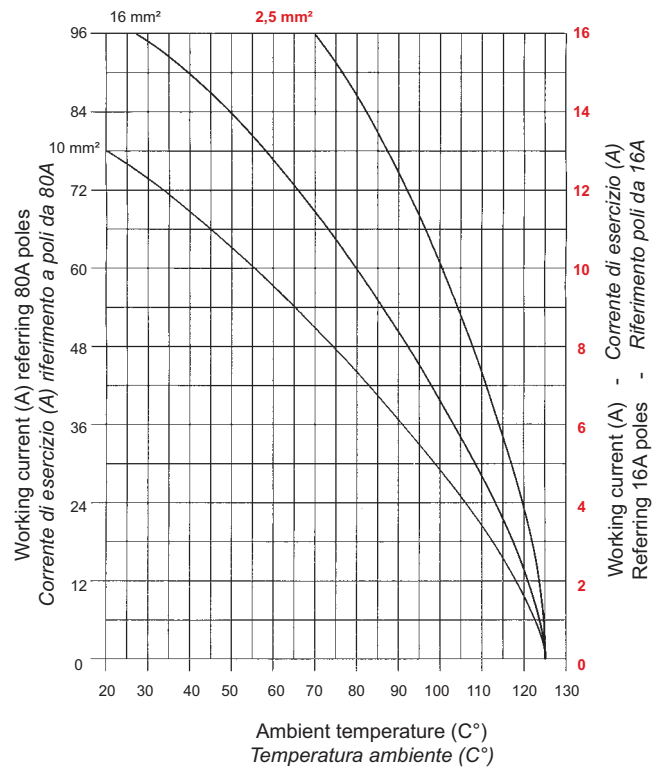
Technical characteristics
 Caratteristiche tecniche : S-HSB pag. 05.01, S-K8/24 pag. 06.01, S-K12/2 pag. 06.03, S-K6/36 pag. 06.05

Series: S-K4/0 - 4/2, S-K4/8, S-K6/6

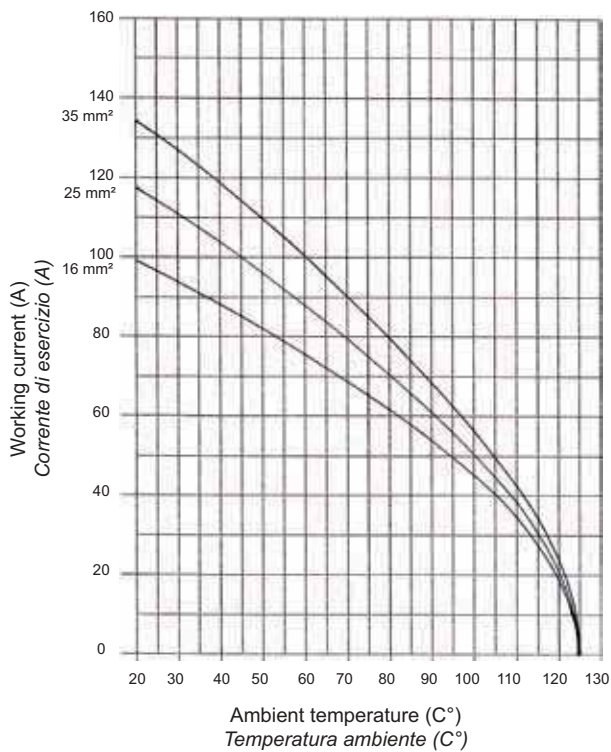
S-K4/0, S-K4/2 series: 4p power + 2p signal + ⊕



S-K4/8 series: 4p power + 8p signal + ⊕



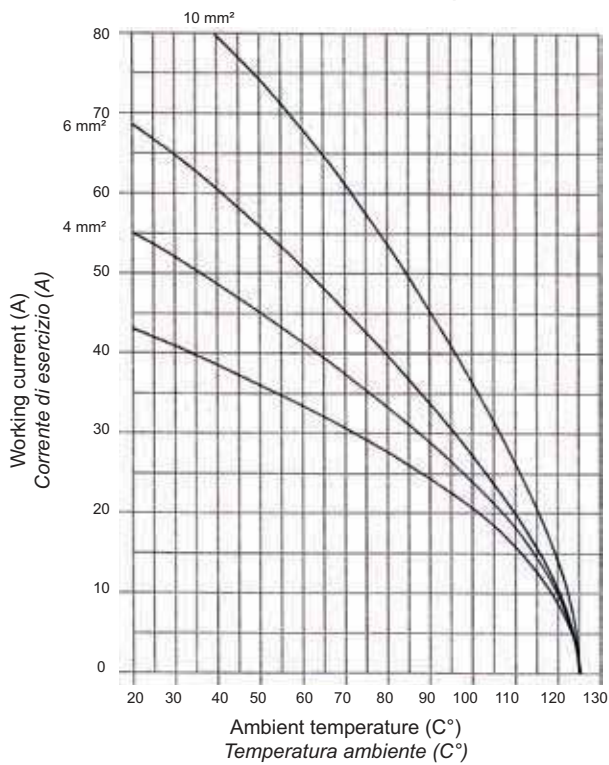
S-K6/6 series: 6p power + 6p signal + ⊕
 Power contacts - Contatti di potenza



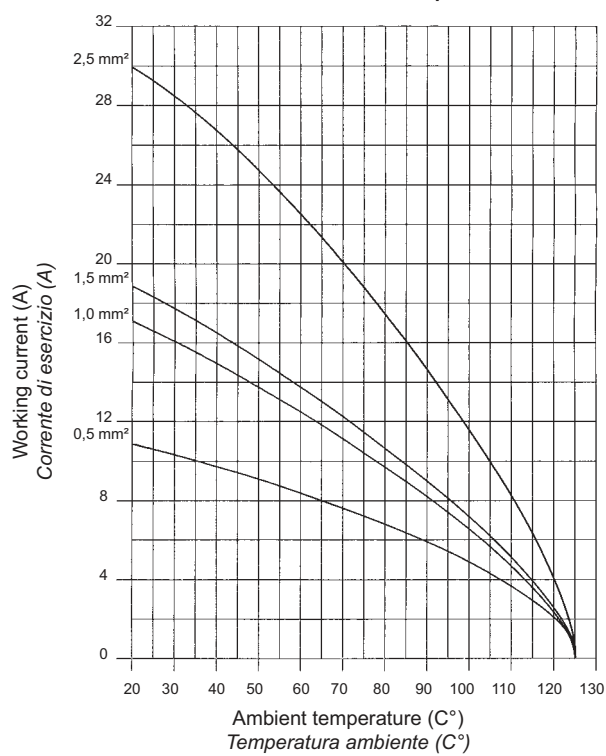
Technical characteristics : S-K4/0, S-K4/2 pag. 06.07, S-K4/8 pag. 06.09, S-K6/6 pag. 06.11
Caratteristiche tecniche

Series: S-Q2/0, S-Q5/0, S-Q7/0

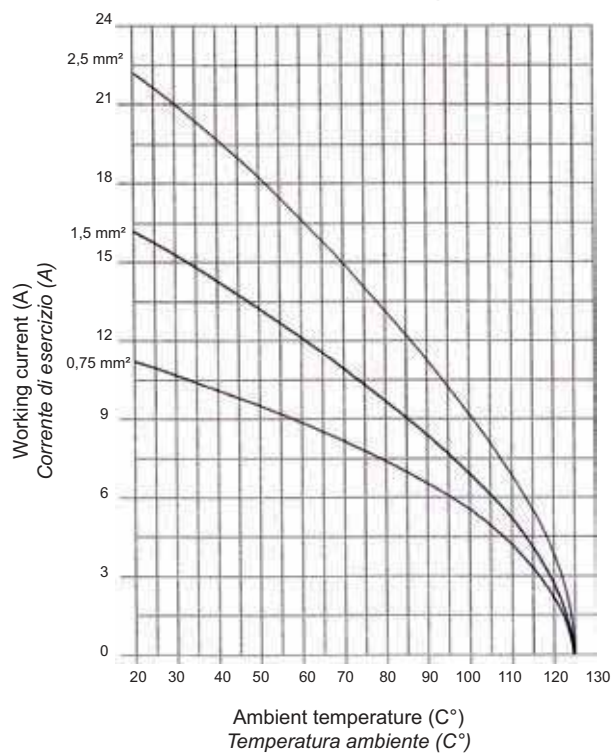
S-Q 2/0 series: 2p + ⊕



S-Q 5/0 series: 5p + ⊕



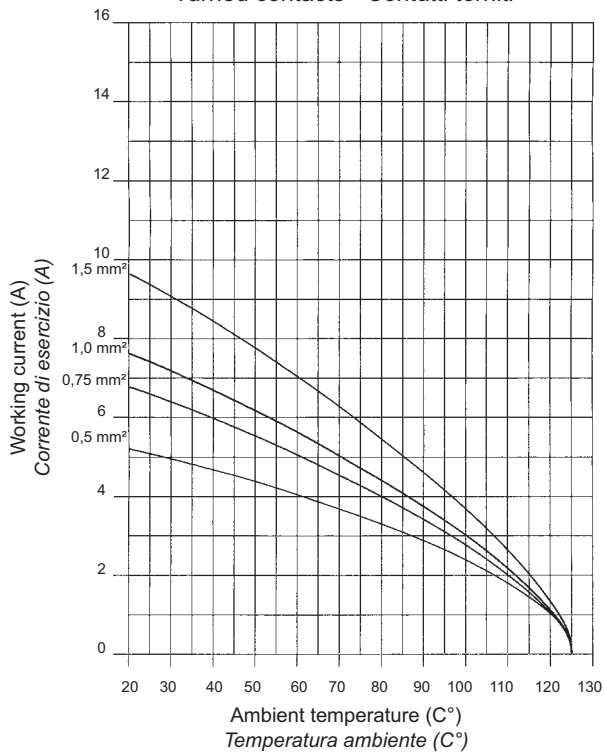
S-Q 7/0 series: 7p + ⊕



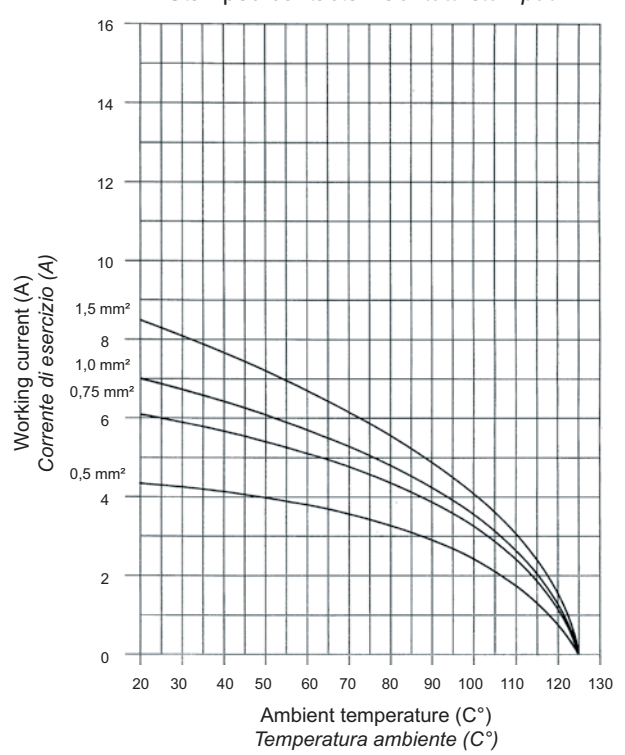
Technical characteristics
Caratteristiche tecniche : S-Q2/0 pag. 07.01, S-Q5/0 pag. 07.04, S-Q7/0 pag. 07.06

Series: S-Q12, S-QD8

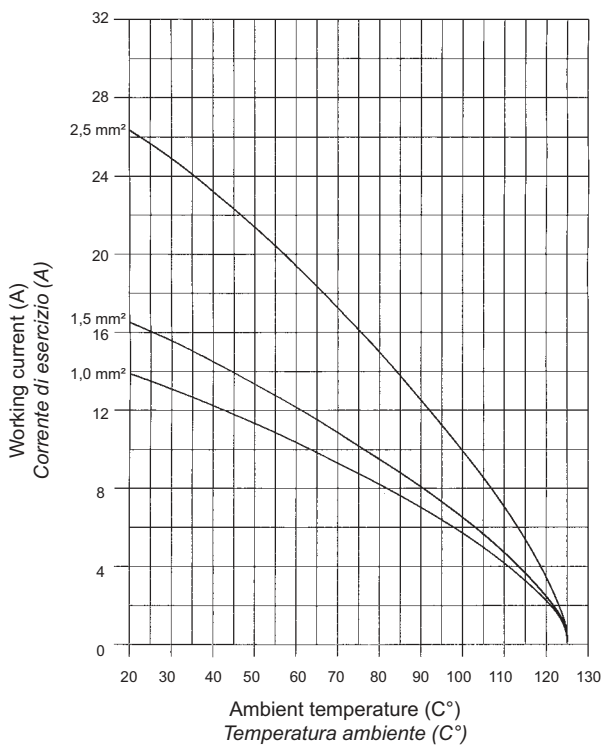
S-Q 12 series: 12p + ⊕
 Turned contacts - *Contatti torniti*



S-Q 12 series: 12p + ⊕
 Stamped contacts - *Contatti stampati*



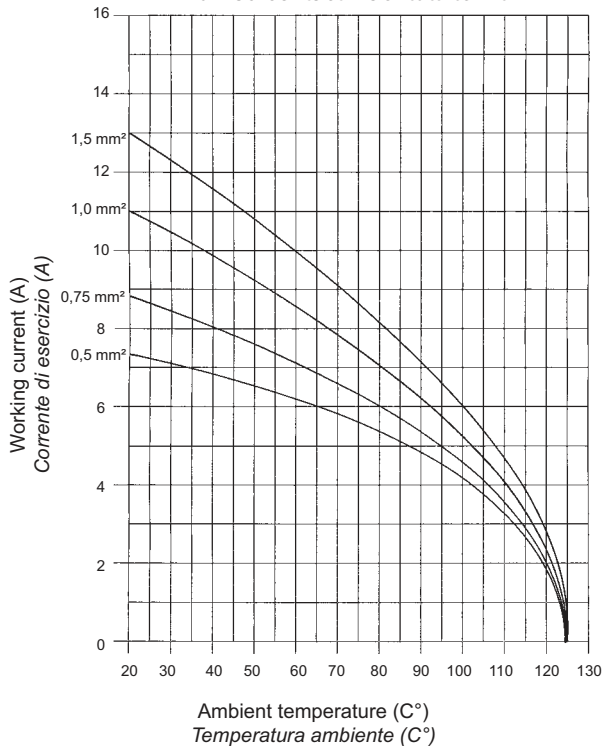
S-QD8 series: 8p + ⊕



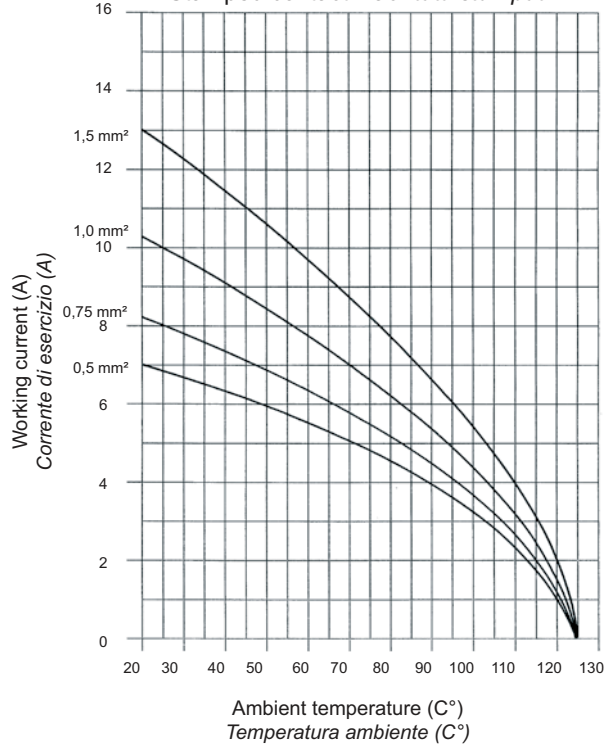
Technical characteristics : S-Q12 pag. 07.08, S-QD8 pag. 07.10
 Caratteristiche tecniche

Series: S-QD17, S-QD4/2, S-QD7/PCB

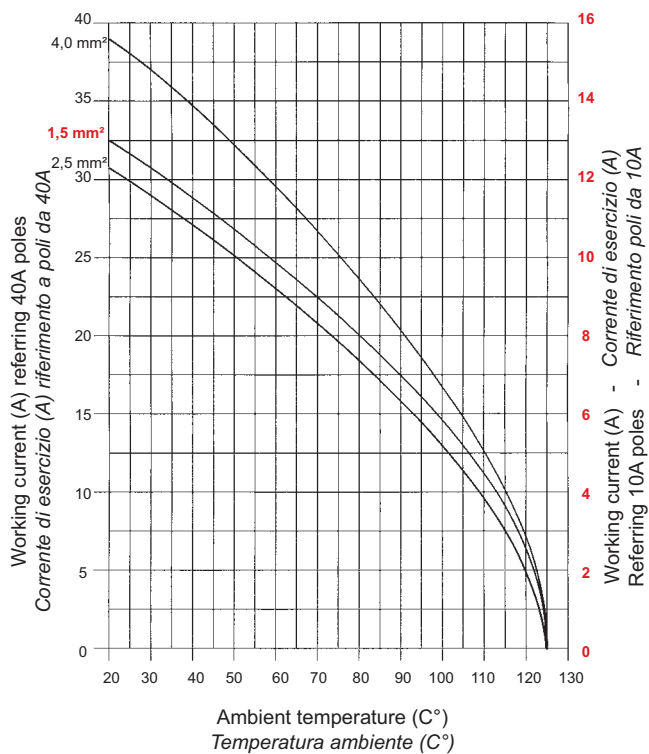
S-QD series: 17p + ⊕
 Turned contact - *Contatti torniti*



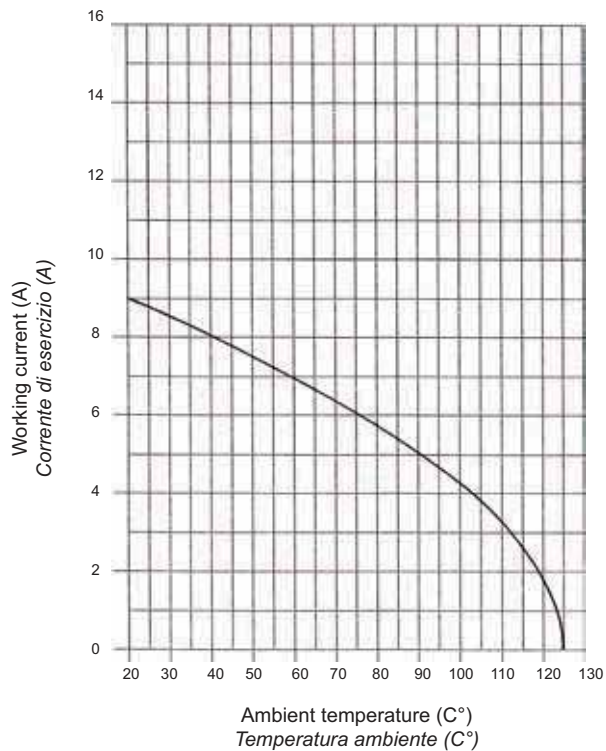
S-QD series: 17p + ⊕
 Stamped contact - *Contatti stampati*



S-QD series: 4p power + 2p signal + ⊕



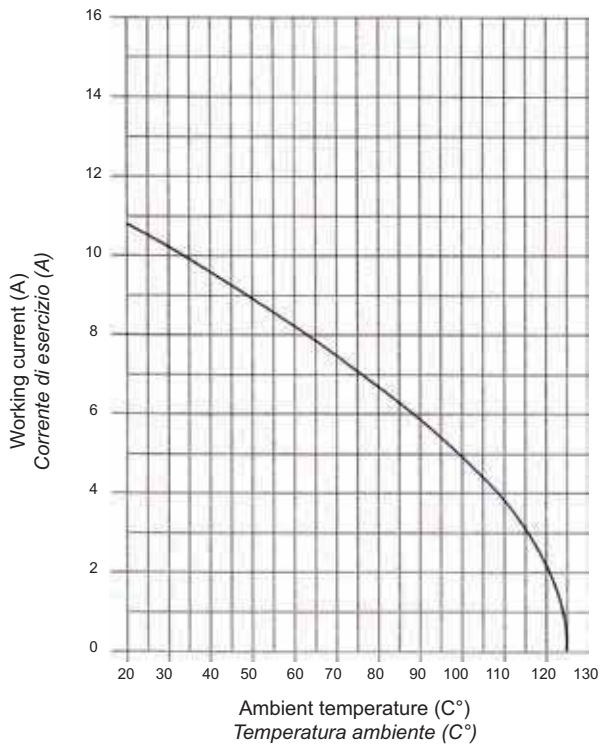
S-Q7/PCB series: 7p + ⊕



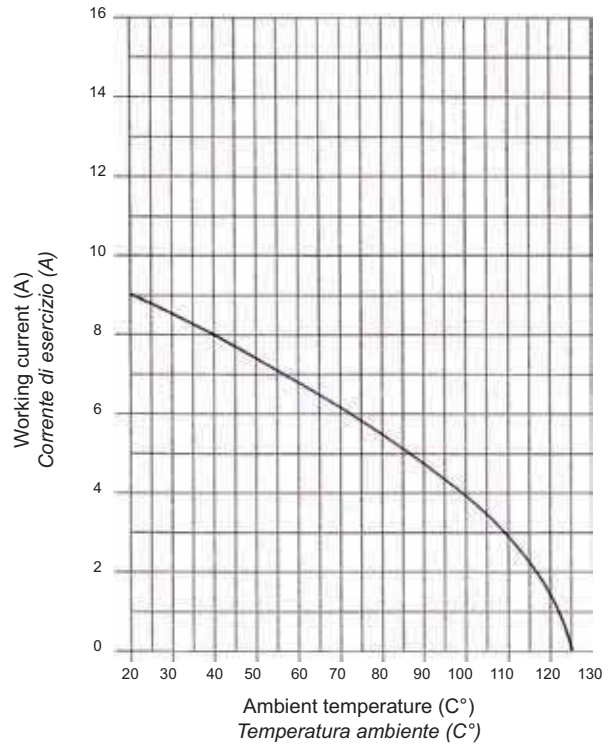
Technical characteristics
Caratteristiche tecniche : S-QD17 pag. 07.12, S-QD4/2 pag. 07.14, S-Q7/PCB pag. 08.10

Series: S-DD/PCB, 24p, 42p, 72p, 108p

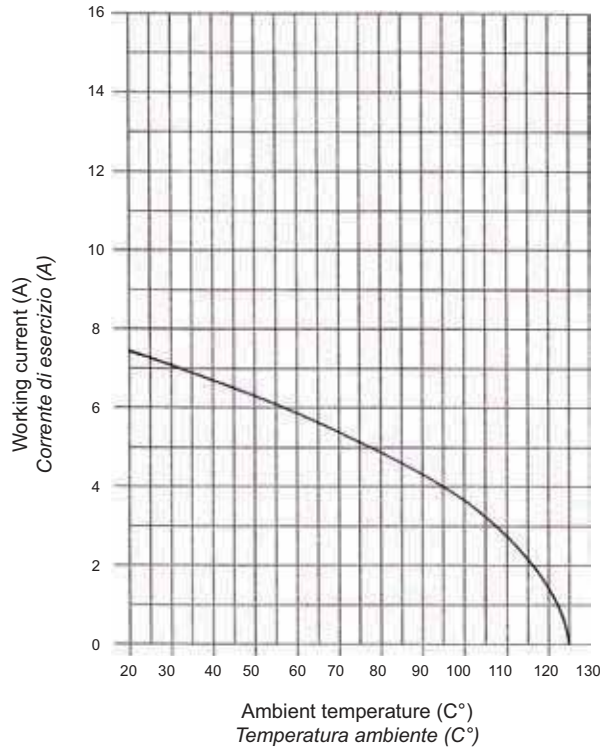
S-DD/PCB series: 24p + ⊕



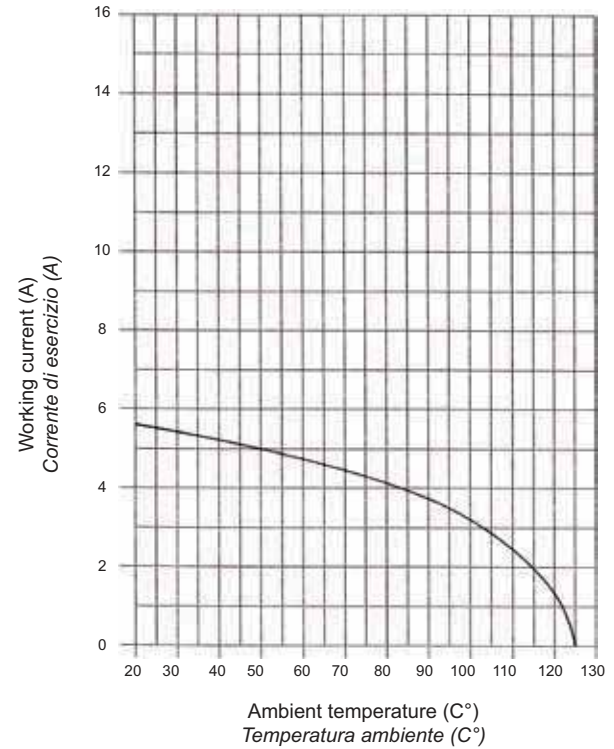
S-DD/PCB series: 42p + ⊕



S-DD/PCB series: 72p + ⊕



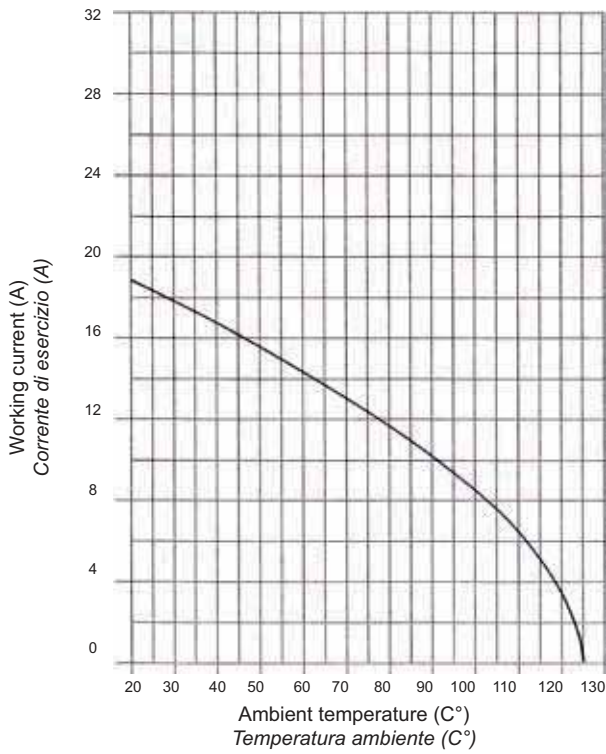
S-DD/PCB series: 108p + ⊕



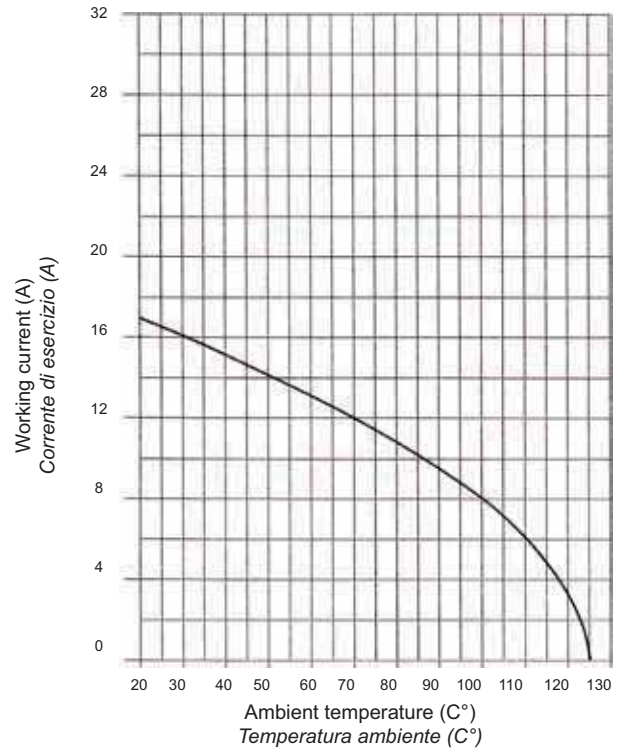
Technical characteristics : S-DD/PCB pag. 08.02
 Caratteristiche tecniche

Series: S-E/PCB, 6p, 10p, 16p, 24p

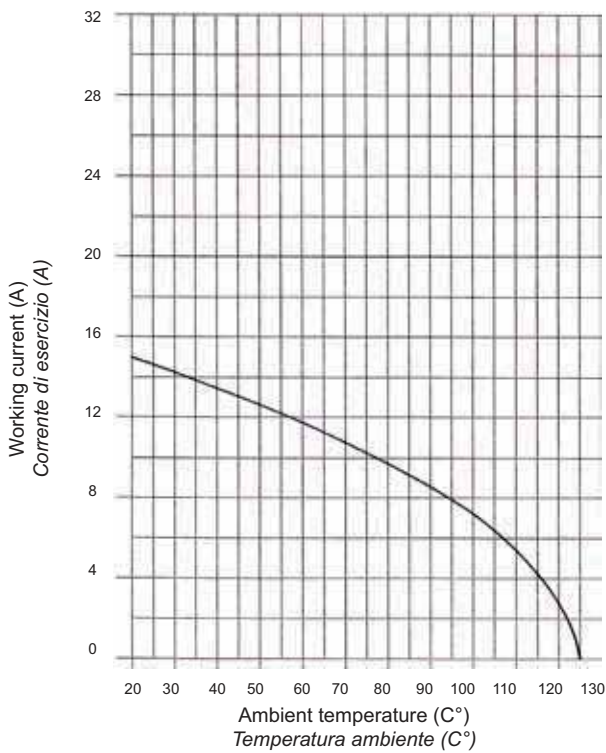
S-E/PCB series: 6p + \oplus



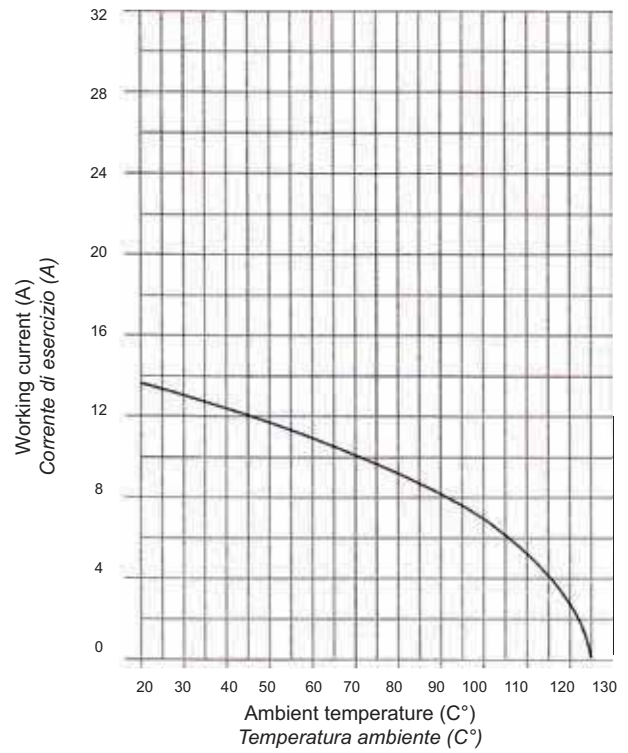
S-E/PCB series: 10p + \oplus



S-E/PCB series: 16p + \oplus



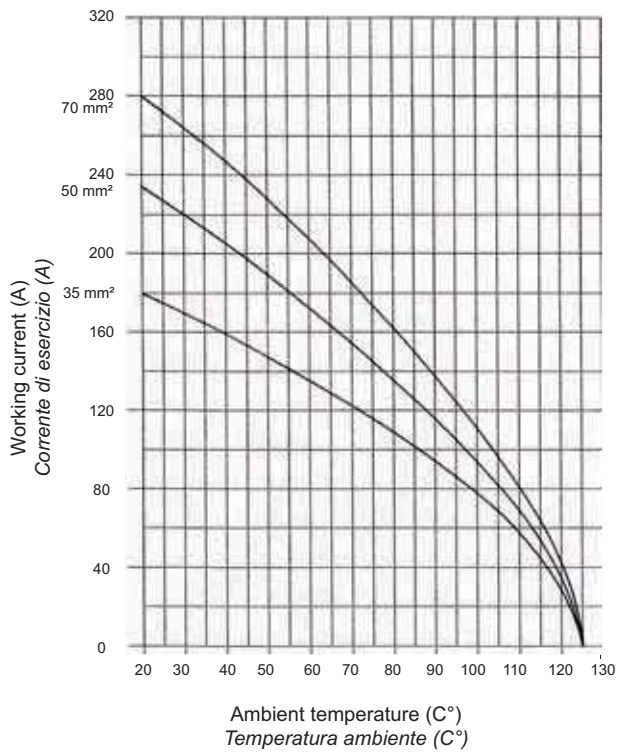
S-E/PCB series: 24p + \oplus



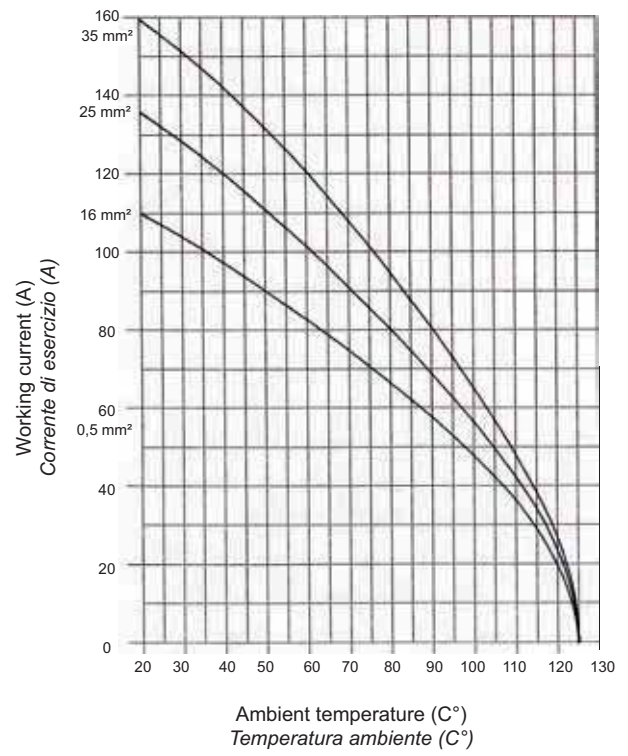
Technical characteristics : SE/PCB pag. 08.06
 Caratteristiche tecniche

Series: S-M200/1, S-M100/2

S-M 200/1 series: 1p

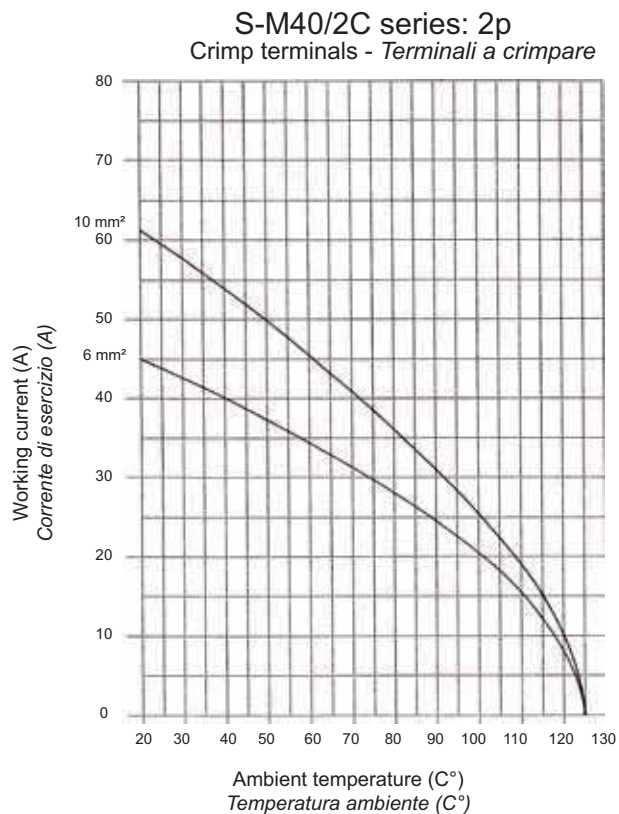
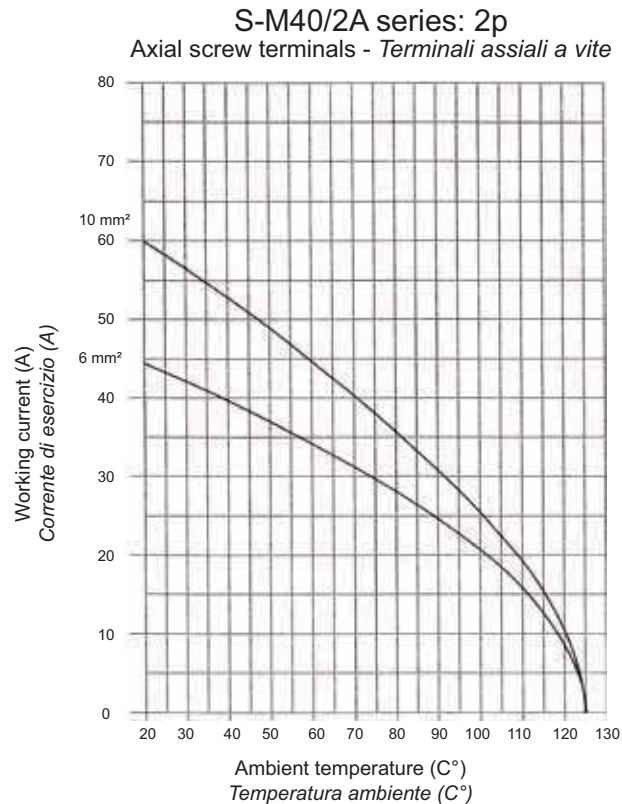
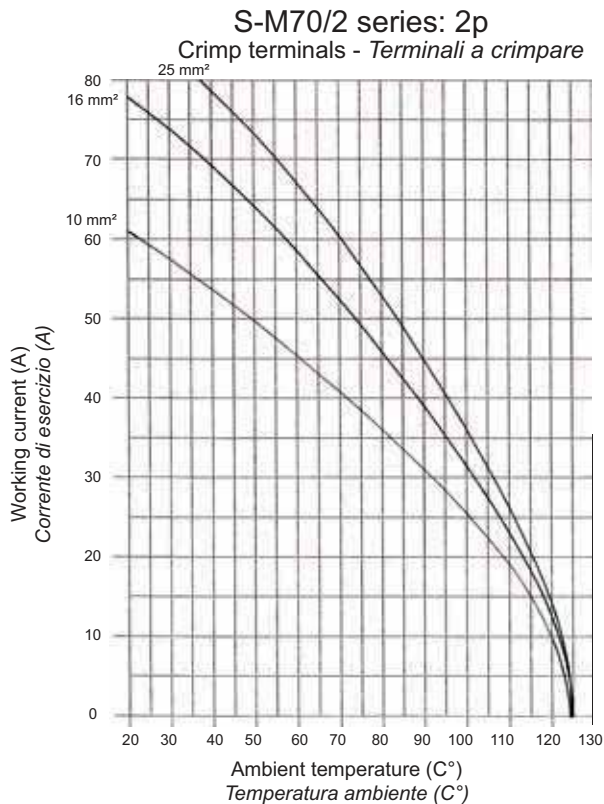


S-M 100/2 series: 2p



Technical characteristics : S-M200/1 pag. 12.11, S-M100/2 pag. 12.13
 Caratteristiche tecniche

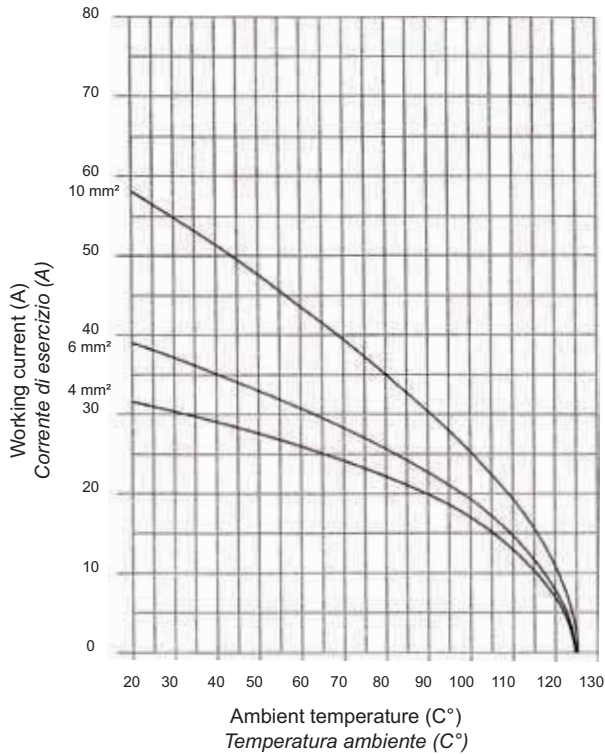
Series: S-M70/2, S-M40/2A, S-M40/2C



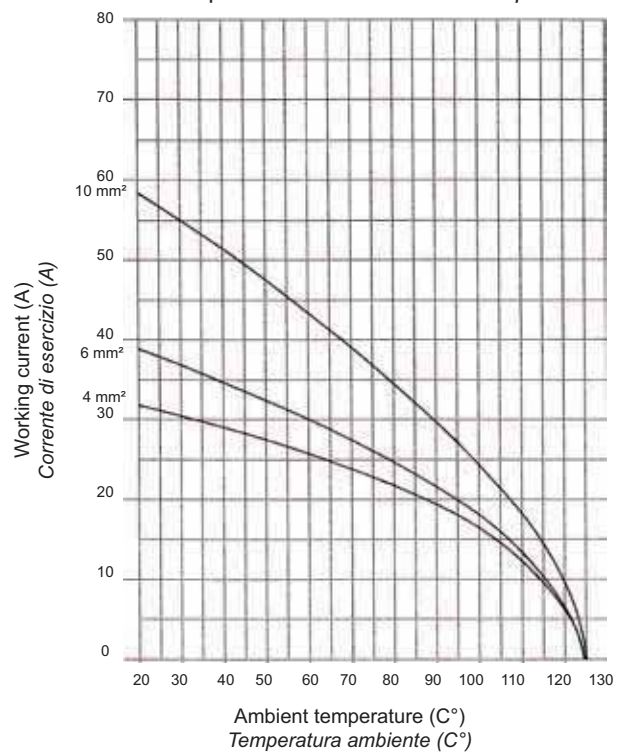
Technical characteristics : S-M70/2 pag. 12.15, S-M40/2A pag.12.17, S-M40/2C pag. 12.19
Caratteristiche tecniche

Series: S-M40/3A, S-M40/3C, S-M40/4C, S-M40/3/4

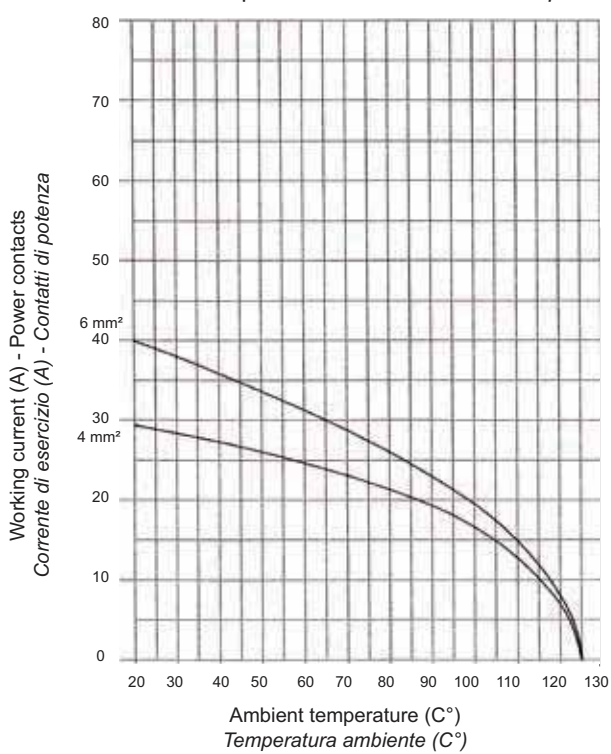
S-M40/3A series: 3p
 Axial screw terminals - Terminali assiali a vite



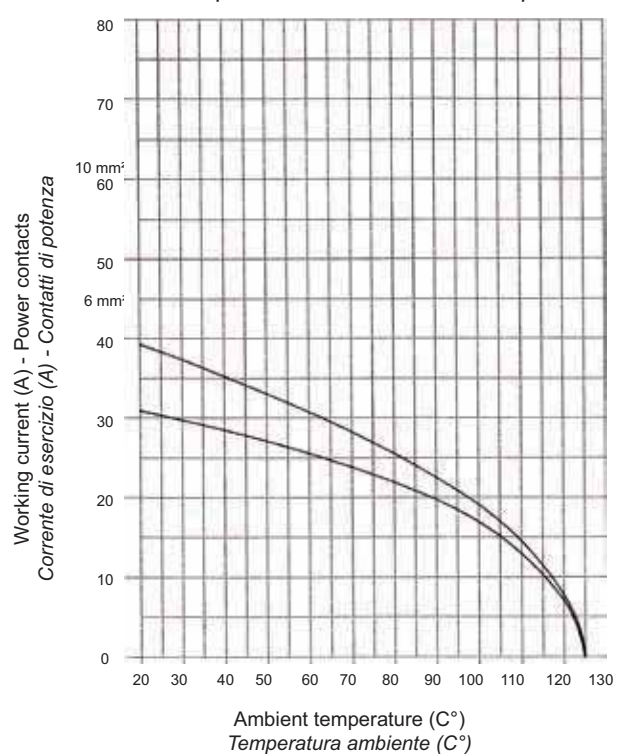
S-M40/3C series: 3p
 Crimp terminals - Terminali a crimpare



S-M40/4 series: 4p
 Crimp terminals - Terminali a crimpare

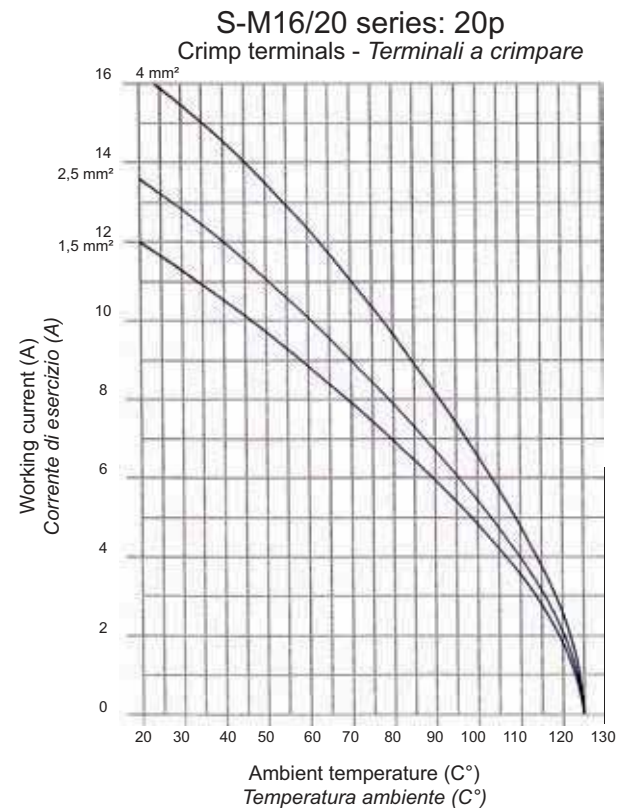
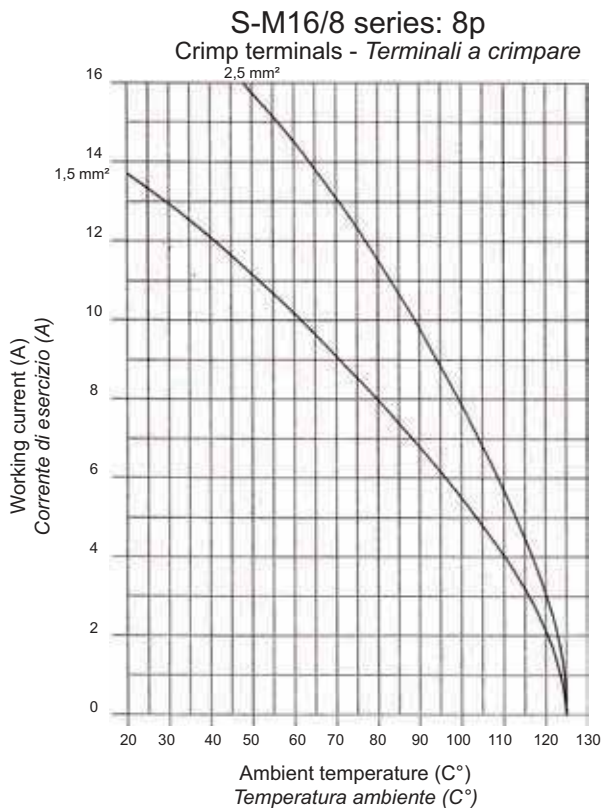
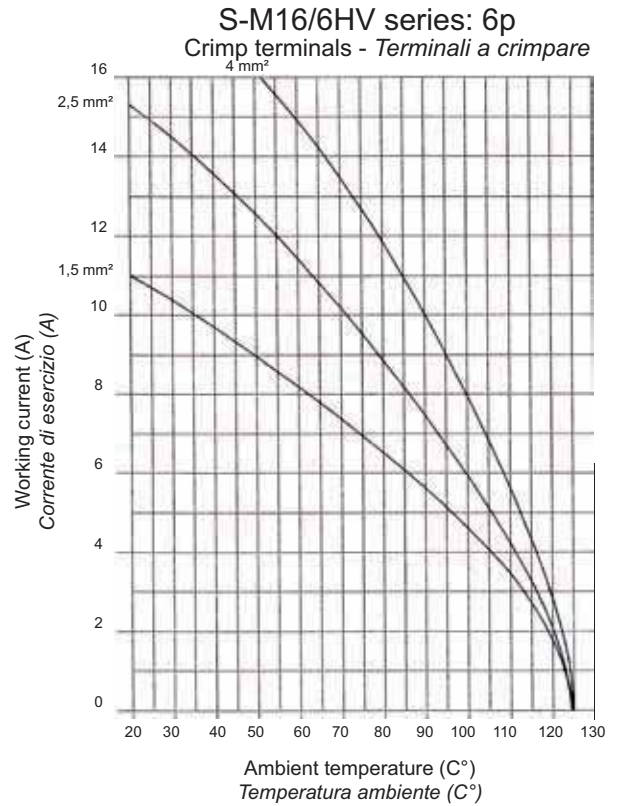
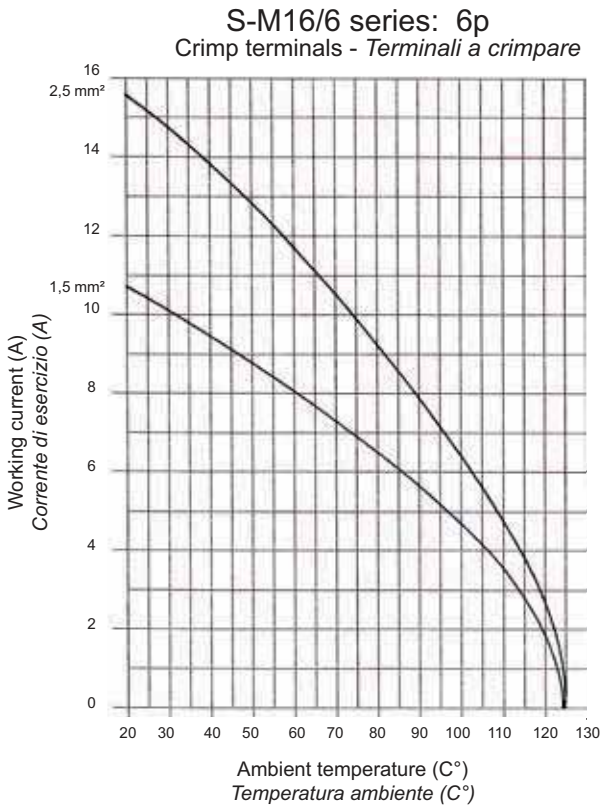


S-M40/3/4 series: 3p power+ 4p signal
 Crimp terminals - Terminali a crimpare



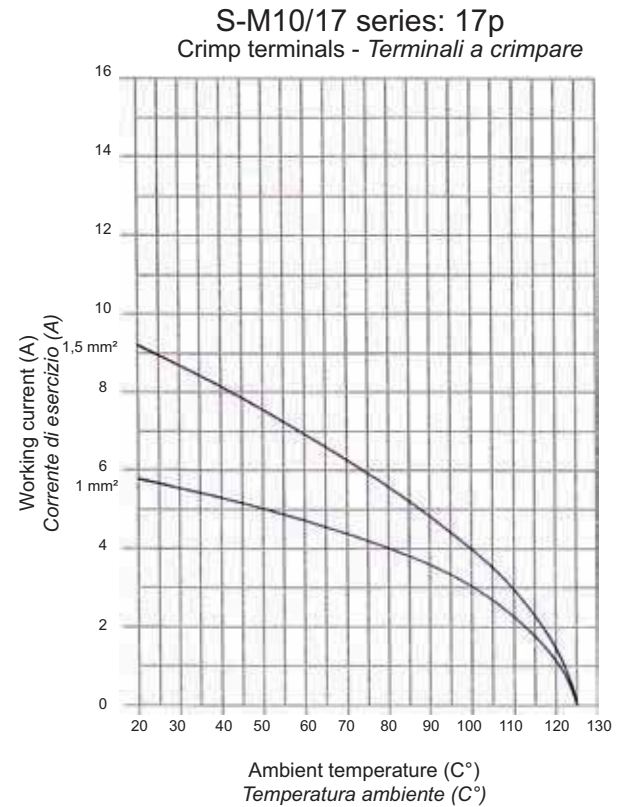
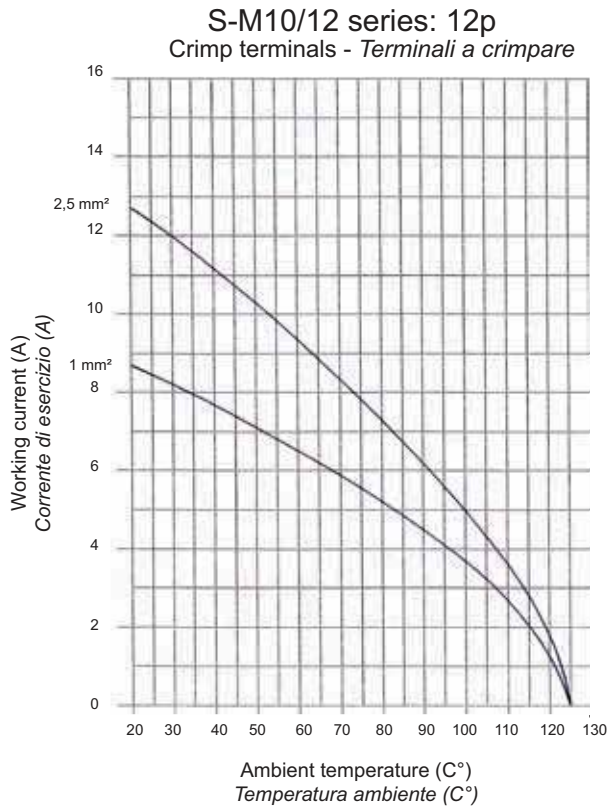
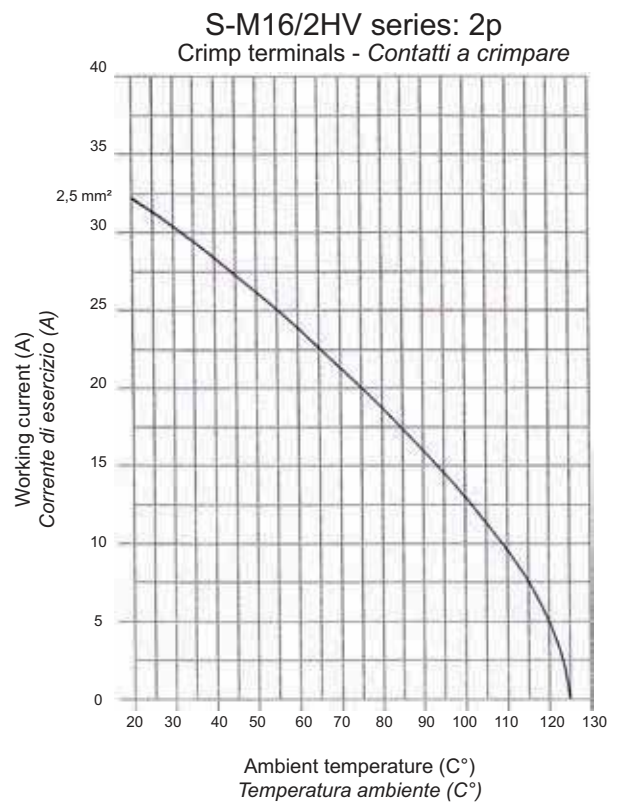
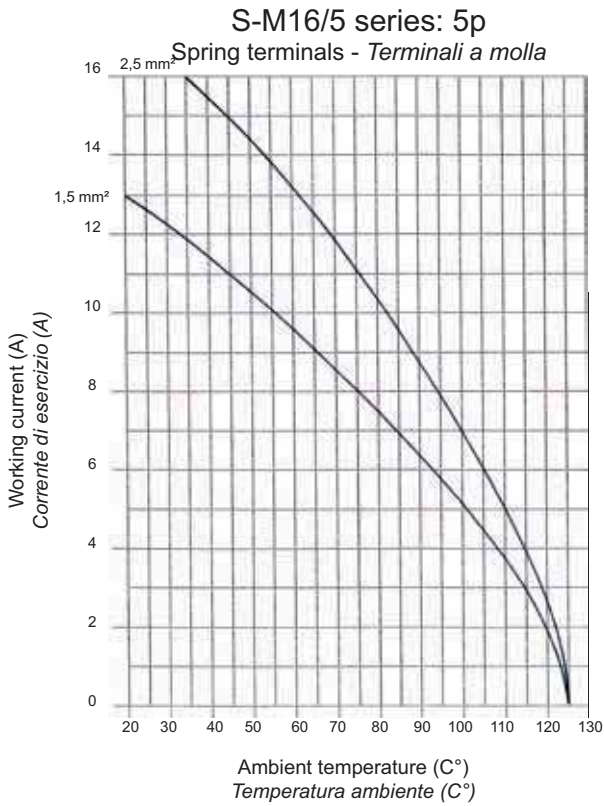
Technical characteristics : S-M40/3A pag. 12.21, S-M40/3C pag. 12.23, S-M40/4 pag.12.25, S-M40/3/4 pag. 12.27
 Caratteristiche tecniche

Series: S-M16/6, S-M16/6HV, S-M16/8, S-M16/20



Technical characteristics : S-M16/6 pag. 12.29, S-M16/6HV pag. 12.31, S-M16/8 pag.12.33, S-M16/20 pag. 12.35
 Caratteristiche tecniche

Series: S-M16/5, S-M16/2HV, S-M10/12, S-M10/17

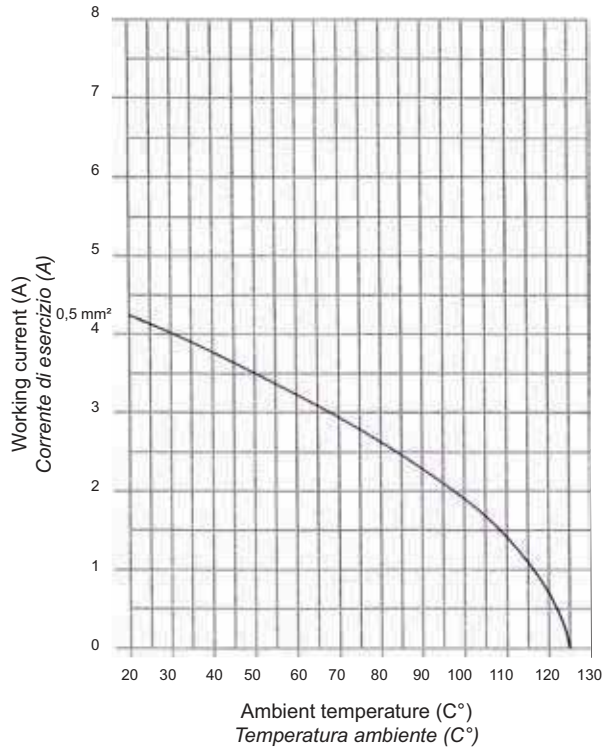


Technical characteristics : S-M16/5 pag. 12.37, S-M16/2HV pag. 12.39, S-M10/12 pag.12.41, S-M10/17 pag. 12.43
 Caratteristiche tecniche

Series: S-MD/9, S-MD/25

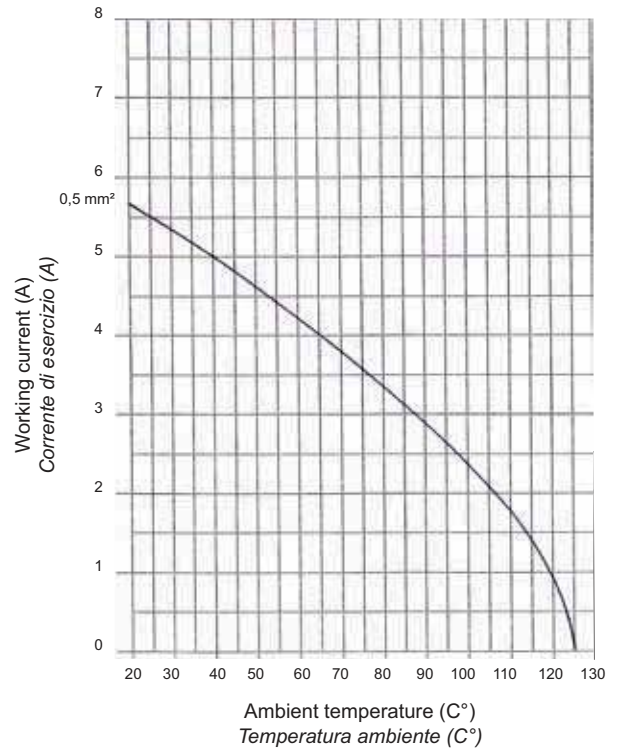
S-MD/25 series: 25p

Turned crimp terminals - *Contatti a crimpare torniti*



S-MD/9 series: 9p

Turned crimp terminals - *Contatti a crimpare torniti*



Gauge AWG Calibro AWG	Section mm ² Sezione mm ²	Diameter mm Diametro mm	Diameter inches Diametro pollici	Remark:
0000(4/0)	107	11,684	0,4600	<p>AWG = American Wire Gauge (or Brown & Sharp wire gauge)</p> <p>The AWG tables are for single, solid and round conductors. The AWG for stranded wire is determined by the total cross-sectional area of the conductor, which determines its current-carrying capacity at frequency ≤ 60 Hz and electrical resistance</p> <p>We often need to associate the square section (mm²) of the copper wires at the nearer AWG gauge.</p> <p>This correspondance is forcibly approximated, because of two main reasons:</p> <ul style="list-style-type: none"> • The wire sections (mm²) available in the electrical European market do not correspond exactly to the listed AWG gauges • Several AWG gauges of the list, that closely correspond to the most popular wire sections (mm²), are not available in the wire market even in the USA. <p>Avvertenza:</p> <p>AWG = American Wire Gauge (o Brown & Sharp wire gauge)</p> <p><i>La tabella dei calibri "gauge" AWG si riferisce ai conduttori singoli, rigidi e rotondi. Gli AWG per i conduttori flessibili sono determinati dalla somma dell'area della sezione ortogonale di ciascun filo che compone il conduttore che determina la stessa portata di corrente alla frequenza ≤60Hz e resistenza elettrica.</i></p> <p><i>Spesso è necessario associare la sezione dei fili o cavi di rame (mm²) al più vicino valore di AWG "gauge" (calibro).</i></p> <p><i>Questa corrispondenza è forzosamente approssimata a causa dei seguenti 2 principali motivi:</i></p> <ul style="list-style-type: none"> • <i>La sezione dei cavi (mm²) disponibili sul mercato elettrico Europeo non corrisponde esattamente ad alcuno degli AWG "gauge" della lista.</i> • <i>Molti AWG "gauge" della stessa lista che più corrispondono alle sezioni dei cavi non sono disponibili nel mercato dei cavi nemmeno negli USA</i>
000(3/0)	85,0	10,400	0,4096	
00(2/0)	67,43	9,266	0,3648	
0(1/0)	53,48	8,251	0,3249	
1	42,41	7,348	0,2893	
2	33,63	6,544	0,2578	
3	26,67	5,827	0,2294	
4	21,15	5,189	0,2043	
5	16,77	4,621	0,1819	
6	13,30	4,115	0,1620	
7	10,55	3,685	0,1443	
8	8,366	3,264	0,1285	
9	6,634	2,906	0,1144	
10	5,261	2,588	0,1019	
11	4,172	2,305	0,09074	
12	3,309	2,053	0,08081	
13	2,624	1,828	0,07196	
14	2,081	1,628	0,06408	
15	1,650	1,450	0,05707	
16	1,309	1,291	0,05082	
17	1,038	1,150	0,04526	
18	0,823	1,024	0,04030	
19	0,6527	0,9116	0,03589	
20	0,5176	0,8118	0,03195	
21	0,4104	0,7229	0,02846	
22	0,3255	0,6438	0,02535	
23	0,2582	0,5733	0,02257	
24	0,2047	0,5106	0,02010	
25	0,1624	0,4547	0,01790	
26	0,1288	0,4049	0,01594	
27	0,1021	0,3606	0,01420	
28	0,0810	0,3211	0,01264	
29	0,0642	0,2859	0,01126	
30	0,0509	0,2546	0,01003	
31	0,0404	0,2268	0,008928	
34	0,0320	0,2019	0,007950	
33	0,0254	0,1798	0,007080	
34	0,0201	0,1601	0,006305	
35	0,0150	0,1426	0,005615	
36	0,0127	0,1270	0,005000	
37	0,0100	0,1131	0,004453	
38	0,0080	0,1007	0,003965	
39	0,0063	0,0897	0,003531	
40	0,0050	0,0799	0,003145	
41	0,0040	0,0711	0,00280	
42	0,0031	0,0632	0,00249	
43	0,0025	0,0564	0,00222	
44	0,0020	0,0500	0,00197	
45	0,0016	0,0447	0,00176	
46	0,0012	0,0399	0,00157	

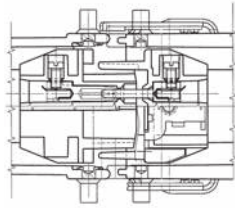
Connection termination

Different types of conductor connection-termination are available for the male/female inserts:

- 1 Screw terminals
- 2 Crimp terminals
- 3 Screw terminals with terminal block
- 4 Spring terminals
- 5 Push-in terminals
- 6 Axial screw terminals

1 - Screw terminals:

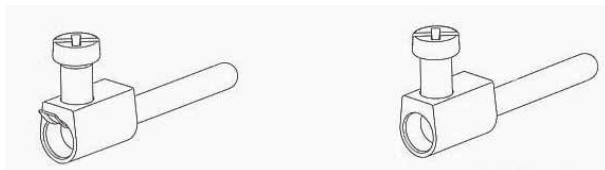
Screw terminals meet VDE 0609 / EN 60999 standards. Dimensions and tightening torques for testing are shown here below.



The relevant regulations state that in the case of:

- Terminals with wire protection:
No special preparation of the conductor is required except for the stripping of the insulation.
- Terminals without wire protection:
The insulation is first stripped and then a bush terminal must be used (see section 55)

Inserts	Max wire gauge		Stripping length (mm)
	(mm ²)	AWG	
S-A series	2,5	14	4,5
S-E, S-EAV, S-EHV series	2,5	14	7
S-HSB series	6,0	10	11,5
S-K series	16	5	14



With wire protection

Without wire protection

The value of tensile strength of conductors in accordance with the dimensions of the screws and the wires are shown in the following table:

Wire gauge (mm ²)	1,5	2,5	4	6	10	16
Size of screw	M3	M3	M3,5	M4	M4	M6
Tensile strength of stranded wire (N)	40	50	60	80	90	100
Maximum torque test Nm	0.5	0.5	0.8	1.2	1.2	1.2

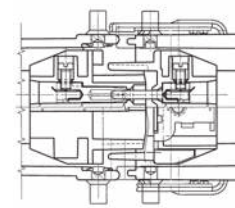
Connessione dei conduttori

Sono disponibili diverse tipologie di connessione dei conduttori agli inserti maschio-femmina:

- 1 Connessioni a vite
- 2 Connessioni a crimpare
- 3 Connessioni a vite con morsettiera
- 4 Connessioni con terminali a molla
- 5 Connessioni Push-in
- 6 Connessioni con terminali assiali a vite

1 - Terminali a vite:

I terminali a vite sono conformi alle norme VDE 0609 / EN 60999. Le dimensioni delle viti e le coppie di serraggio di prova sono indicate qui di seguito.



Le regole stabiliscono che in caso di:

- Terminali con proteggi-filo:
Non è richiesta alcuna preparazione del cavo eccetto la spellatura dell'isolante.
- Terminali senza proteggi-filo:
Al cavo, privato dell'isolante, viene applicato un terminale a tubetto (vedere sezione 55).

Inserti	Massima misura del filo		Misura dell'isolante (mm)
	(mm ²)	AWG	
Serie S-A	2,5	14	4,5
Serie S-E, S-EAV, S-EHV	2,5	14	7
Serie S-HSB	6,0	10	11,5
Serie S-K	16	5	14



Con protezione del filo

Senza protezione del filo

I valori di resistenza a trazione dei conduttori secondo le dimensioni delle viti e dei fili sono indicati dalla tabella seguente:

Sezione del filo (mm ²)	1,5	2,5	4	6	10	16
Grandezza della vite	M3	M3	M3,5	M4	M4	M6
Minima resistenza a trazione del conduttore a trefoli (N)	40	50	60	80	90	100
Coppia massima di prova Nm	0.5	0.5	0.8	1.2	1.2	1.2

1.2 Screw terminals and wires gauges

The screw terminals and the relevant wire gauge are listed in the following table:

Insert series Serie inserti	Wire protection Proteggi-filo		Min. wire gauge Minima sezione filo		Max wire gauge Massima sezione filo		Stripping length Lunghezza spellatura filo
	Yes	No	mm ²	AWG	mm ²	AWG	
S-A 3/4		X	0,5	20	2,5	14	6
S-A10, S-A16	X		0,5	20	4	12	7,0
S-E, S-EST, S-EHV	X		0,5	20	4	12	7,0
S-HSB	X		1,5	16	6	10	10,5
S-K4/2, S-K4/8 signal contacts	X		0,5	20	2,5	14	7,0
S-K4/0, S-K4/2, S-K4/8 power contacts		X	1,5	16	16	5	14
S-EAV	X		0,2	24	2,5	14	12

1.2 Terminali a vite e sezioni dei contatti

I terminali a vite e le sezioni dei conduttori corrispondenti sono elencati nella seguente tabella:

1.3 Screw tightening torque:

Increasing the tightening torque does not necessarily improve the contact resistance. The screw torques are selected according to standard EN 60999-1, to provide excellent mechanical, thermal and electrical behaviour. The conductor or terminal may be damaged if the recommended values are significantly exceeded.

1.3 Coppia di serraggio delle viti

Un incremento della coppia di serraggio non porta ad un significativo miglioramento della resistenza di contatto. I momenti torcenti delle viti sono scelti in accordo alla norma EN 60999-1, in modo tale da produrre il comportamento ottimale dal punto di vista meccanico, termico ed elettrico. Il conduttore o il morsetto, possono risultare danneggiati da un sostanziale superamento dei valori raccomandati.

Size of screw Grandezza della vite	Insert type Tipo di inserto	Tightening torque (Nm) Coppia di serraggio (Nm)	Tightening torque (lb.in) Coppia di serraggio (lb.in)	Recommended size of screw driver Dimensioni raccomandate del cacciavite
M3	Screw terminal S-A 3/4 series Ground terminals S-Q 5/0, S-Q7, S-Q 12	0,25	2,2	0,4x2,5
M3	Screw terminal S-A series 10p - 16p	0,50	4,4	0,5x3
M3	S-E, S-EST, S-EAV, S-EHV series M3x10 fixing screws, all kind	0,50	4,4	Ph 0 - 0,8x4
M4	Ground terminal: S-E, S-EST, S-EAV, S-EHV, S-D, S-DD, S-EE, S-EEE, S-ES, S-EP, S-K8/24 series	1,20	10,6	Ph 2 - 1,0x5,5
M4	Screw terminal S-HSB	1,20	10,6	Ph 1 - 0,8x4
M5	Ground terminal S-HSB, S-K1/2, S-K6/36, S-K4/2, S-K4/8, S-K6/6	2,00	10,6	Ph 2 - 0,8x4,5
M6	Screw terminal S-K4/2, S-K4/8	2,5	22,1	1,0x5,5

2 – Crimp connection:

A perfect crimp connection is gastight, therefore corrosion free and amounts to a cold weld of the parts being connected. For this reason, major features in achieving high quality crimp connections are the design of the contact crimping parts and of course the crimping tool itself. Wires to be connected must be carefully matched with the correct size of crimp contacts. If these basic requirements are met, users will be assured of highly reliable connections with low contact resistance and high resistance to corrosive attack.

The economic and technical advantages are:

- Constant contact resistance as a result of precisely repeated crimp connection quality.
- Corrosion-free connections as a result of cold weld action.
- Pre-preparation of cable forms with crimp contacts fitted.
- Optimization of cable connection costs.

The requirements for crimp connectors are depicted in IEC/EN 60352, part 2

2.1 - Tensile strength of stranded wire:

The main method to judge the quality of a crimp connection is the retention force achieved by the wire conductor in the terminal section of the contact. IEC/EN 60352-2 defines the tensile strength in relation to the cross-section of the conductor.

When fitted using Molex crimping tools (See section 60.00) and properly used, our crimp connectors comply with the required forces indicated in the following table (IEC/EN 60352-2).

Tensile strength of crimped conductors (IEC/EN 60352-2):

Conductor cross section		Tensile strength
(mm ²)	AWG	N
0,05	30	6
0,08	28	11
0,12	26	15
0,14		18
0,22	24	28
0,25		32
0,32	22	40
0,50	20	60
0,75		85
0,82	18	90
1,00		108
1,30	16	135
1,50		150
2,10	14	200
2,50		230
3,30	12	275
4,00		310
5,30	10	355
6,00		360
8,40	8	370
10,00		380

2 - Collegamento a crimpare:

Una perfetta connessione a crimpare deve essere a tenuta di gas: tra i fili di rame ed il contatto crimpato deve esserci una stretta unione onde assicurare la completa protezione del collegamento elettrico contro la corrosione in atmosfere aggressive. A tale scopo è necessario che i cavi siano crimpati su contatti di taglia adeguata in funzione della sezione del conduttore e le operazioni di crimpatura siano sempre eseguite con utensili appositi. Vengono così assicurate connessioni affidabili con bassa resistenza di contatto ed alta resistenza alla corrosione.

I vantaggi tecnici ed economici sono:

- *Valore costante della resistenza di contatto, come risultato della perfetta ripetitività delle operazioni di lavorazione*
- *Collegamento totalmente protetto contro la corrosione in atmosfere aggressive.*
- *Pre-assemblaggio dei cavi*
- *Ottimizzazione dei costi di produzione*

Le indicazioni per la realizzazione e l'utilizzo di connessioni a crimpare sono riportate nelle normative IEC/EN 60352, parte 2.

2.1 - Forze di estrazione per cavi flessibili:

Un altro parametro molto importante da considerare eseguendo una crimpatura, è la forza di estrazione del cavo dal contatto crimpato. La norma IEC/EN 60352-2, definisce la forza di estrazione in funzione della sezione del conduttore.

L'utilizzo corretto di utensili Molex (Vedi sezione 60.00), propriamente regolati, garantisce la conformità delle forze di estrazione indicate nella tabella seguente (IEC/EN 60352-2).

Resistenza a trazione dei conduttori crimpati (IEC/EN 60352-2):

Sezione del conduttore		Resistenza a trazione
(mm ²)	AWG	N
0,05	30	6
0,08	28	11
0,12	26	15
0,14		18
0,22	24	28
0,25		32
0,32	22	40
0,50	20	60
0,75		85
0,82	18	90
1,00		108
1,30	16	135
1,50		150
2,10	14	200
2,50		230
3,30	12	275
4,00		310
5,30	10	355
6,00		360
8,40	8	370
10,00		380

The Standard IEC/EN 60352-2, which is mostly addressed to the users in electronics, limits the characteristics of the crimp connections to the conductors with section up to 10 mm².

For the higher sections up to 70 mm² used for inserts and modular inserts for rated current up to 200A we may refer to the specified values of French Standard NF-F 61030 (1989) that specifies the requirements for interconnections in railways and rolling stock. Particularly for turned crimp contacts.

The tensile strength values are:

Conductor cross section		Tensile strength
(mm ²)	AWG	N
16	-	1650
25	-	2300
35	-	2800
50	-	3300
70	-	3900

2.2 - Remarks:

2.2.1 - Molex also produces stamped contacts for rated current 10A for wires sections 0.14-2.5 mm², to be used with inserts series S-D, S-QD/17, S-M10.

When crimped with the right Molex crimping tools or equivalent, these connectors also meet the tensile strength values requested by the standard IEC/EN 60352-2.

2.2.2 - The Molex turned contacts with rated current of 10A and 16A are also suitable for solid wires for some insert series (pls refer to the Technical characteristics) and in applications in accordance with standards that allow the use of solid wires.

These contacts crimped to solid wires with Molex crimping tool meet the tensile strength values requested by the IEC/EN 60352-2 standard.

La norma IEC/EN 60352-2, indirizzata ad usi nel settore dell'elettronica, limita le proprie prescrizioni a connessioni crimp per conduttori di sezione massima 10 mm². Per sezioni maggiori, sino a 70 mm², si può fare riferimento ai valori specificati nella norma francese NF F 61030 (1989) relativa ai conduttori elettrici per uso a bordo di materiale ferroviario, in particolare per contatti crimp di tipo tornito.

I valori di resistenza a trazione sono:

Sezione del conduttore		Resistenza a trazione
(mm ²)	AWG	N
16	-	1650
25	-	2300
35	-	2800
50	-	3300
70	-	3900

2.2 - Note:

2.2.1 - Molex produce contatti stampati per corrente nominale di 10A e conduttori da 0.14 a 2.5 mm² per applicazioni con inserti serie S-D, S-QD17, S-M.

Questi contatti rispettano i valori di resistenza a trazione richiesti dalla norma IEC/EN 60352-2 quando crimpati con gli attrezzi Molex od altri equivalenti.

2.2.2 - Contatti Molex a crimpare torniti con correnti nominali di 10A e 16A sono adatti all'uso anche con conduttori rigidi per alcune serie di inserti (vedere le caratteristiche tecniche) ed in applicazioni dove le Norme consentono l'uso di cablaggi con fili rigidi.

Tali contatti, crimpati con attrezzi per crimpare Molex, a conduttori rigidi, rispettano i valori di resistenza a trazione della Norma IEC/EN 60352-2.

2.3 - Crimping tools:

Crimping tools (hand operated or automatic) are carefully designed to produce a high pressure to symmetrically connect the crimping part of the contact to the wire, with the minimum increase in size at the connection point. The locator automatically locates the crimp and wire at the correct point in the tool.

The ratchet in the tool has 2 functions:

- It prevents insertion of the crimp into the tool crimping before the jaws are fully open.
- It prevents the tool being opened before the crimping action is completed.

Different crimping sections for turned contacts are available in accordance to the different crimping tool used:



Crimping cross section with Molex tool
Part No. 8500.7925.0



Crimping cross section with 4+4 indent Molex crimping tool
Part No. 8500.7930.0



Crimping cross section with mechanical Molex crimping tool **Part No. 8500.7960.0** and hydraulic Molex crimping tool **Part No. 8500.7990.0**

Please find the above crimping tools and others, provided with technical details, in the section 60 of this catalogue

The crimped connections are then inserted into the insert (without any tool). They remain fixed into position via a flexible blocking device mounted in the insert.

The extraction of the contacts is made by using the right "removal tool" available in the section 60 of this catalogue.

2.3 - Attrezzi per crimpare:

Gli attrezzi per crimpare (Manuali o automatici) sono attentamente progettati con lo scopo di produrre un'alta pressione per l'unione del contatto con il conduttore con minimo incremento della sezione nella zona di crimpatura. Il posizionatore conferisce automaticamente la corretta posizione della zona del contatto da unire con il conduttore.

Il sistema a cricchetto negli attrezzi manuali ha le seguenti 2 funzioni:

- *Impedisce di inserire il contatto nell'attrezzo prima che le matrici siano completamente aperte*
- *Impedisce di interrompere l'operazione di crimpatura ed aprire l'attrezzo prima che l'operazione stessa sia completata*

Differenti sezioni di crimpatura per contatti torniti sono disponibili secondo il tipo di attrezzo utilizzato:



Sezione del conduttore crimpato ottenuta con attrezzo Molex
Codice 8500.7925.0



Sezione del conduttore crimpato ottenuta con attrezzo Molex a crimpare con 4+4 tacche **Codice 8500.7930.0**



Sezione del conduttore crimpato ottenuta con attrezzo Molex a crimpare meccanico **Codice 8500.7960.0** e l'attrezzo idraulico **Codice 8500.7990.0**

Gli attrezzi per crimpare indicati sopra ed altri sono disponibili con i relativi dati tecnici nella sezione 60 di questo catalogo.

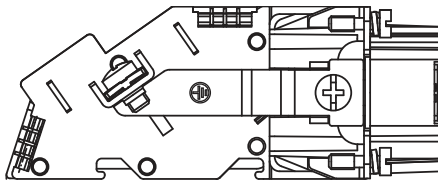
Le connessioni crimpate vengono poi introdotte (senza l'ausilio di utensili) nell'inserto porta contatti. I contatti crimpati vengono quindi trattenuti dagli speciali dispositivi di ritenuta montati nell'isolante stesso. Per una eventuale estrazione delle connessioni crimpate è sufficiente inserire nell'apposita cavità l'utensile estrattore adatto disponibile nella sezione 60 di questo catalogo.

3 - Screw terminals with terminal block:

The connections between wires and contacts are made by screw terminals in accordance with EN 60999-1.

The inserts have:

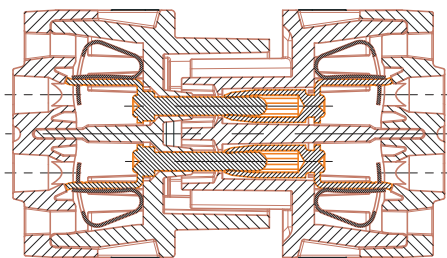
- A 45° terminal block that facilitates the wiring and the identification of the conductors, for fixed installations in electrical panels or on DIN rails according to EN 60715.
- Screw terminal with wire protection that does not require preparation of the conductors.



Male insert with terminal block. Side viewing
Inserti maschio con morsettiere. Vista laterale

4 - Spring terminals:

- This termination system requires very little conductor preparation, normally just the stripping of the insulation wire.
- No special tools are required, only a 2,5x0,4mm screwdriver is used to open the terminal.
- Suitable for all stranded and solid wires with a section from 0,14 to 2,5mm² (AWG26-14).
- Can be used with bush terminals crimped over stranded wires.
- Provide an excellent degree of clamping together with a high resistance to strong vibrations.
- An underload conductivity test may be carried out thanks to the screw driver window.
- Preparation and cabling time are largely reduced.



Remark:

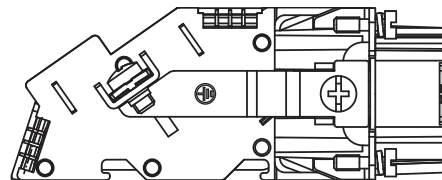
To guarantee the best connection between spring and wires and to avoid damaging on spring we recommend that the screwdriver is introduced into the cavities of the insert in axis with the contacts.

3 - Terminali a vite con morsettiere:

In questa esecuzione il collegamento dei conduttori ai contatti si effettua mediante connessione a vite secondo EN 60999- 1.

Gli inserti dispongono di:

- Una morsettiere a 45° per installazioni fisse su pannelli di quadri elettrici o su guida DIN EN 60715 al loro interno che facilita in tali condizioni le operazioni di cablaggio ed identificazione dei conduttori.
- Connessione a vite con proteggi-filo che non richiede preparazione dei conduttori .



Female insert with terminal block. Side viewing
Inserti maschio con morsettiere. Vista laterale

4 - Terminali a molla:

- Questo sistema di terminazione richiede una ridotta preparazione del conduttore. Normalmente è necessaria la sola spellatura del conduttore.
- Non sono richiesti attrezzi speciali, ma deve essere usato solo un cacciavite 2,5x0,4 mm per aprire il terminale.
- Adatto sia per conduttori flessibili che rigidi con sezione da 0,14 a 2,5mm² (AWG 26-14).
- Utilizzabile anche con terminali a tubetto crimpati sul conduttore.
- Offre un ottimo serraggio ed una grande resistenza in presenza di forti vibrazioni.
- Permette test di conducibilità sotto carico attraverso l'alveolo di inserimento del cacciavite senza la sconnessione del connettore.
- Consente di ridurre i tempi di preparazione e di cablaggio.



Nota:

Per garantire la migliore unione tra molla e conduttore ed evitare danni alla molla raccomandiamo che il cacciavite sia inserito nella cavità dell'inserto in asse con i contatti dell'inserto stesso.

PUSH IN

5 - Push in terminals:

- The push in technology allows to reduce the wiring cost to the minimum.
- In the Push in terminals the stripped solid conductor is simply inserted into the clamping point to the bottom: the connection is completed!
- No tool is required and the result is a reliable, vibration-resistant connection.
- Also flexible conductors with crimped ferrules or ultrasonic-welded conductors can be connected without any problem.
- A stainless steel compression spring guarantees a high contact force between the conductor and the current bar.
- The pull-out force for this system is even higher than necessary for the spring terminal.
- The housing, where spring and conductor are eventually put in, ensures optimum connection performance
- There is also a guide for the screwdriver to detach the conductor.

Wire extractor tool:

0,4x2.5 screwdriver
Part No. 8500.7979.0



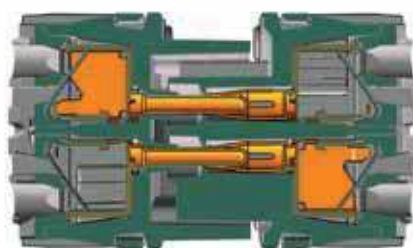
PUSH IN

5 - Terminali Push in:

- La tecnologia Push in consente di ridurre i costi di cablaggio al minimo
- Nei terminali Push in il terminale rigido spellato è semplicemente inserito, spinto (Push), nell'alveolo dell'inserto fino a fine corsa: la connessione è già terminata!
- Nessun attrezzo è necessario ed il risultato è una connessione resistente alle vibrazioni ed affidabile.
- Sono possibili connessioni senza problemi anche con conduttori flessibili crimpati a terminali a tubetto o con trefoli saldati ad ultrasuoni. Una molla in acciaio inox che preme sul conduttore e sulla parte fissa del terminale garantisce un' alta compressione.
- La resistenza all'estrazione del conduttore risulta anche superiore a quella ottenuta con i terminali a molla.
- La molla è inserita in una camera che contiene la parte fissa del terminale ed il conduttore assicurando una perfetta connessione con ottime caratteristiche elettriche.
- La camera contiene e guida il caccavite necessario per disconnettere il conduttore dal terminale.

Utensile estrattore del conduttore:

giravite 0,4x2.5
Codice 8500.7979.0



Wire suitability to Push-in terminals <i>Idoneità dei conduttori ai terminali Push-in</i>		
Type of wire <i>Conduttore tipo</i>	Wire mm ² <i>Filo mm²</i>	Wire gauge <i>Calibro filo</i>
Stranded wires with bush terminal <i>Conduttori flessibili con terminali a tubetto</i>	0.14 ÷ 2.5	26 ÷ 14 AWG
Stranded wires with single wire DIA ≥ 0.2 mm <i>Conduttori flessibili con fili singoli DIA ≥ 0.20 mm</i>	1.5 ÷ 4	16 ÷ 12 AWG
Solid wires <i>Conduttori rigidi (filo singolo)</i>	0.5 ÷ 2.5	20 ÷ 14 AWG

6 - Axial screw terminals:

The contacts with axial screw terminal are to be screwed in axis using a simple tool (hexagonal driver SW2).

The conical end of the contact locks the stranded wires of the conductor against the wall of the conical chamber creating a strong junction between contact and wires.

The axial screw technology is developed for wires according to EN 60228 Class 5 (see table: Wire assembly according to EN 60228). Cable assemblies which do not match EN 60228 have to be tested separately.

Extract from EN 60228

Wire gauge (mm ²) Calibro filo (mm ²)	Stranded wires EN 60228 Class 2	Fine stranded wires EN 60228 Class 5	Super fine stranded wires EN 60228 Class 6			
2.5	7 x 0.67	50 x 0.25	140 x 0.15	320 x 1.10	651 x 0.07	1280 x 0.05
4	7 x 0.85	56 x 0.30	224 x 0.15	512 x 0.10	1040 x 0.07	
6	7 x 1.05	84 x 0.30	192 x 0.20	768 x 0.10	1560 x 0.07	
10	7 x 1.35	80 x 0.40	320 x 0.20	1280 x 0.10	2600 x 0.07	

Remarks:

- The wire gauge mentioned in the catalogue refer to geometric wire gauges of cables.
- Before assembling, the user must ensure that the movable part of the axial contact is screwed fully downward to completely open the contact chamber.
- For safe operation the cables must be fixed at an adequate distance from the terminal to ensure that the contact is protected against radial stress.

Assembly:

- 1) Strip insulation from the wire, with a length in accordance with table below, and insert the wires into the terminal chamber until insulation is totally in touch with contact. Do not twist the strands of the wire.

Stripping length - Lunghezza spellatura				
mm ²	2.5	4	6	10
mm	5	5	8	11

- 2) Hold the wire in position and tighten by a hexagonal driver (SW2) from the mating side with a tightening torque given on table

Tightening torque - Coppia di serraggio				
mm ²	2.5	4	6	10
Nm	1.5	1.5	2	2

- 3) Complete connection
The male contact is shown. The same method is applicable for female contacts.

6 - Connessioni con terminali assiali a vite:

I contatti assiali a vite devono essere avvitati in asse tramite una semplice chiave esagonale (SW2).

Il contatto ha un'estremità conica che blocca i fili flessibili del cavo contro la camera conica della parte fissa del contatto.

Si è così creata una giunzione cavo + contatto particolarmente robusta ed affidabile.

La tecnologia dei contatti assiali a vite è stata sviluppata per conduttori secondo la norma EN 60228 Classe 5 (Vedere la tabella: Assemblaggio dei cavi secondo EN 60228). Assemblaggi non conformi a tale Norma devono essere testati a parte.

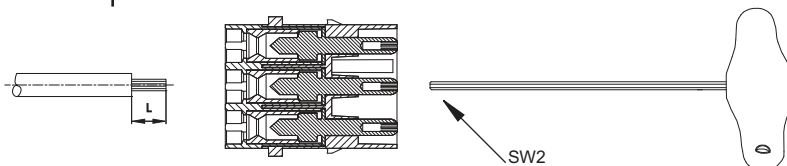
Estratto da EN 60228

Note:

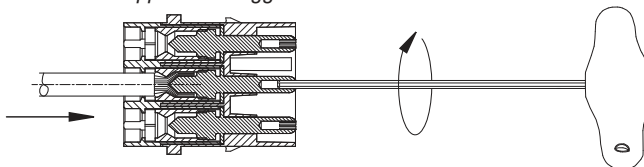
- Le sezioni dei fili indicate in questo catalogo si riferiscono alla sezione geometrica.
- Prima di iniziare l'operazione di assemblaggio l'utilizzatore deve assicurarsi che la parte mobile del contatto sia completamente arretrata (svitata) per lasciare completamente aperta la camera.
- Per garantire la sicurezza si raccomanda di fissare i cavi ad una adeguata distanza dal terminale per assicurare che il contatto sia protetto contro gli sforzi radiali.

Assemblaggio:

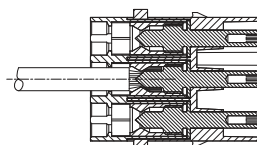
- 1) Spellare l'isolamento del filo per una lunghezza secondo la tabella ed inserire i conduttori nella camera del terminale fino a fine corsa (Isolante del filo a contatto con il terminale). Non attorciliare i singoli conduttori (trefoli)



- 2) Trattene il filo in posizione e stringere, avvitando la parte mobile del contatto tramite una chiave esagonale SW2 fino a raggiungere la corretta coppia di serraggio indicata nella tabella



- 3) Connessione completata per contatto maschio, le operazioni per il contatto femmina sono similari.



Inserts series <i>Serie inserti</i>	No. of poles (1) <i>No. di poli (1)</i>	Auxiliary contacts <i>Contatti ausiliari</i>	EN 61984 (2001-11) Pollution degree 3 <i>Grado di inquinamento 3</i>			EN 61984 (2001-11) Pollution degree 2 <i>Grado di inquinamento 2</i>			UL/CSA	Max rated current (2) <i>Corrente nominale max (2)</i>	Contact resistance <i>Resistenza di contatto</i>
			Rated voltage <i>Tensione nominale</i>	Impulse withstand voltage <i>Tensione nominale di tenuta ad impulso</i>	Pollution degree <i>Grado di inquinamento</i>	Rated voltage <i>Tensione nominale</i>	Impulse withstand voltage <i>Tensione nominale di tenuta ad impulso</i>	Pollution degree <i>Grado di inquinamento</i>			
S-A/3/4	3, 4		250V or 230/400V	4kV	3	230/400V	4kV	2	600V	10A	≤ 1 mΩ
S-A, S-AC	10, 16, (32)		250V	4kV	3	230/400V	4kV	2	600V	16A	≤ 1 mΩ
S-D8	8		50V	0,8kV	3				50V	10A	≤ 3 mΩ
S-D7, S-D	7, 15, 25, 40, (50), 64, (80), (128)		250V	4kV	3	230/400V	4kV	2	600V	10A	≤ 3 mΩ
S-DD	24, 42,72, 108, (144), (216)		250V	4kV	3	230/400V	4kV	2	600V	10A	≤ 3 mΩ
S-E, S-EC	6, 10, 16, 24, (32), (48)		500V	6kV	3	400/690V	6kV	2	600V	16A	≤ 1 mΩ
S-ES	6, 10, 16, 24, (32), (48)		500V	6kV	3	400/690V	6kV	2	600V	16A	≤ 3 mΩ
S-EP	6, 10, 16, 24, (32), (48)		500V	6kV	3	400/690V	6kV	2	600V	16A	≤ 3 mΩ
S-EST	6, 10, 16, 24, (32), (48)		500V	6kV	3	400/690V	6kV	2	600V	16A	≤ 3 mΩ
S-EE	10, 18, 32, 46, (64), (92)		500V	6kV	3	830V	8kV	2	600V	16A	≤ 1 mΩ
S-EEE	40, 64		500V	6kV	3				600V	16A	≤ 1 mΩ
S-EAV	6, 10, 16, 24		500V	6kV	3				600V	16A	≤ 2 mΩ
S-EHV	3, 6, 10, (12), 16, (20), (32)	2,(4)	830V	8kV	3	1000V	8kV	2	600V	16A	≤ 1 mΩ
S-ESHV	3, 6, 10, (12), (20)	2,(4)	830V	8kV	3	1000V	8kV	2	600V	16A	≤ 3 mΩ
S-HSB	6, (12)		830V	6kV	3	1000V	8kV	2	600V	35A	≤ 0,5 mΩ
S-K 8/24	Power contacts 16A x 8 Signal contacts 10A x 24		230/400V	4kV	3	400V	4kV	2	600V	16A	≤ 1 mΩ
			160V	2,5kV	3	250V	4kV	2	300V	10A	≤ 3 mΩ
S-K 12/2	Power contacts 40A x 12 Signal contacts 10A x 2		690V	8kV	3				600V	40A	≤ 0,3 mΩ
			250V	4kV	3				300V	10A	≤ 3 mΩ
S-K 6/36	Power contacts 40A x 6 Signal contacts 10A x 36		690V	8kV	3				600V	40A	≤ 0,3 mΩ
			160V	2,5kV	3	250V	4kV	2	300V	10A	≤ 3 mΩ
S-K 6/6	Power contacts 100A x 6 Signal contacts 16A x 6		690V	8kV	3				600V	100A	≤ 0,3 mΩ
			400V	6kV	3				300V	16A	≤ 1 mΩ
S-K 4/0 S-K 4/2	4 power contact: 40A x 4 2 signal contacts: 10A x 2		830V	8kV	3	1000V	8kV	2	600V	80A	≤ 0,3 mΩ
			400V	6kV	3	400/690V	6kV	2	600V	16A	≤ 1 mΩ
S-K 4/8	4 power contacts, <i>contatti di potenza</i> 8 signal contacts, <i>contatti di segnale</i>		500V	6kV	3	400/690V	6kV	2	600V	80A	≤ 0,3 mΩ
			500V	6kV	3	400/690V	6kV	2	600V	16A	≤ 1 mΩ
S-Q 2/0	2		830V	6kV	3				600V	40A	≤ 1 mΩ
S-Q 5/0	5		230/400V	4kV	3	320/500V	4kV	2	600V	16A	≤ 1 mΩ
S-Q 7/0	7		400V	6kV	3	400/690V	6kV	2	600V	10A	≤ 3 mΩ
S-Q 12	12		400V	6kV	3	400/690V	6kV	2	600V	10A	≤ 3 mΩ
S-QD 8/0	8 with thermoplastic enclosures, <i>con custodie plastiche</i> 8 with metal enclosures, <i>con custodie metalliche</i>		500V	6kV	3	400/690V	6kV	2	600V	16A	≤ 1 mΩ
			230/400V	4kV	3						
S-QD 17	17					250V	4kV	2	600V	10A	≤ 3 mΩ
S-QD 4/2	power contacts: 40A x 4 signal contacts: 10A x 2		400/690V	6kV	3	-	-	-	600V	40A	≤ 0,3 mΩ
			250V	6kV	3				250V	10A	≤ 3 mΩ
S-DD/PCB	24, 42,72, 108		250V	4kV	3				250V	7,5A	
S-E/PCB	6, 10, 16, 24		500V	6kV	3				600V	16A	
S-Q7/PCB	7		250V	4kV	3				250V	7,5A	
S-IEC	8p + 2p		250V							2,1A	
S-CX3A	2		50V	0,8kV	3				50V	10A	≤ 3 mΩ
S-CX/4	4		50V	0,8kV	3				50V	10A	≤ 3 mΩ

Inserts series	No. of poles (1) <i>No. di poli (1)</i>	Auxiliary contacts <i>Contatti ausiliari</i>	EN 61984 (2001-11) Pollution degree 3 <i>Grado di inquinamento 3</i>			EN 61984 (2001-11) Pollution degree 2 <i>Grado di inquinamento 2</i>			UL/CSA	Max rated current (2) <i>Corrente nominale max (2)</i>	Contact resistance <i>Resistenza di contatto</i>
			Rated voltage <i>Tensione nominale</i>	Impulse withstand voltage <i>Tensione nominale di tenuta ad impulso</i>	Pollution degree <i>Grado di inquinamento</i>	Rated voltage <i>Tensione nominale</i>	Impulse withstand voltage <i>Tensione nominale di tenuta ad impulso</i>	Pollution degree <i>Grado di inquinamento</i>			
S-CX/8	8	-	50V	0,8kV	3				50V	5A	≤ 4 mΩ
S-CX/75	1	-	50V	0,8kV	3				50V	10A	≤ 3 mΩ
S-CX/50	1	-	50V	0,8kV	3				50V	16A	≤ 1 mΩ
S-M200/1	1	-	1000V	8kV	3				600V	200A	≤ 0,3 mΩ
S-M100/2	2	-	1000V	8kV	3				600V	100A	≤ 0,3 mΩ
S-M70/2	2	-	1000V	8kV	3				600V	70A	≤ 0,3 mΩ
S-M40/2A	3	-	1000V	8kV	3				600V	40A	≤ 0,3 mΩ
S-M40/2C	2	-	1000V	8kV	3				600V	40A	≤ 0,3 mΩ
S-M40/3A	3	-	690V	8kV	3				600V	40A	≤ 0,3 mΩ
S-M40/3C	3	-	500V	6kV	3				600V	40A	≤ 0,3 mΩ
S-M40/4	4	-	830V	8kV	3				600V	40A	≤ 0,3 mΩ
S-M40/3/4	Power 40A cont.x3 + signal 10A cont.x4	-	830V	8kV	3				600V	40A	≤ 0,3 mΩ
		-	830V	8kV	3				600V	10A	≤ 3 mΩ
S-M16/6	6	-	500V	6kV	3				600V	16A	≤ 1 mΩ
S-M16/6HV	6	-	830V	8kV	3				600V	16A	≤ 1 mΩ
S-M16/8	8	-	400V	6kV	3				600V	16A	≤ 1 mΩ
S-M16/20	20	-	500V	6kV	3				600V	16A	≤ 1 mΩ
S-M16/5	5	-	400V	6kV	3				600V	16A	≤ 3 mΩ
S-M16/2HV	2	-	2900/5000	15kV	3				-	16A	≤ 1 mΩ
S-M10/12	12	-	250V	4kV	3				600V	10A	≤ 3 mΩ
S-M10/17	17	-	160V	2,5kV	3				250V	10A	≤ 3 mΩ
S-MD/25	25	-	50V	0,8kV	3				30V	4A	≤ 4 mΩ
S-MD/9	9	-	50V	0,8kV	3				30V	5A	≤ 4 mΩ
S-MRJ45	8p8C	-	50V	0,8kV	3				30V	1A	

1) The polarities indicated in brackets are obtained using two inserts
 2) See the inserts load diagrams to determine the actual limit working current according to the ambient temperature.

1) Il numero di poli indicato tra parentesi è ottenuto utilizzando 2 inserti.
 2) Consultare le curve di carico degli inserti per determinare l'effettiva corrente di esercizio limite in funzione della temperatura ambiente.

Inserts series <i>Serie inserti</i>	No. of poles (1) <i>No. di poli (1)</i> Main contacts + ⊕ <i>Contatti principali + ⊕</i>	Auxiliary contacts <i>Contatti ausiliari</i>	Insulation resistance <i>Resistenza di isolamento</i>	Temperature limits <i>Limiti di temperatura ambientale</i>		Degree protection <i>Grado di protezione</i>			Conductor connection <i>Connessione dei conduttori</i>				Approvals <i>Approvazioni</i>
				Min. °C	Max. °C	With (4) enclosures <i>Con custodie</i>	Without enclosures <i>Senza custodie</i>	Screw <i>A vite</i>	Spring <i>A molla</i>	Crimp <i>A crimpare</i>	Terminal block <i>Morseletta</i>		
S-A/3/4	3, 4		10 GΩ	-40	+125	IP66/67/68	IP 20	✓				UL, CSA	
S-A, S-AC	10, 16, (32)		10 GΩ	-40	+125	IP66	IP 20	✓		✓		UL, CSA	
S-D8	8		10 GΩ	-40	+125	IP66/67/68	IP 20			✓		UL, CSA	
S-D7, S-D	7, 15, 25, 40, (50), 64, (80), (128)		10 GΩ	-40	+125	IP66/68	IP 20			✓		UL, CSA	
S-DD	24, 42, 72, 108, (144), (216)		10 GΩ	-40	+125	IP66/68	IP 20			✓		UL, CSA	
S-E, S-EC	6, 10, 16, 24, (32), (48)		10 GΩ	-40	+125	IP66/68	IP 20	✓		✓		UL, CSA	
S-ES	6, 10, 16, 24, (32), (48)		10 GΩ	-40	+125	IP66/68	IP 20		✓			UL, CSA	
S-EP	6, 10, 16, 24, (32), (48)		10 GΩ	-40	+125	IP66/68	IP 20		✓			UL, CSA	
S-EST	6, 10, 16, 24, (32), (48)		10 GΩ	-40	+125	IP66/68	IP 20	✓				UL, CSA	
S-EE	10, 18, 32, 46, 64(32x2), 92 (46x2)		10 GΩ	-40	+125	IP66/68	IP 20			✓		UL, CSA	
S-EEE	40, 64		10 GΩ	-40	+125	IP66/68	IP 20			✓		UL	
S-EAV	6, 10, 16, 24	2,(4)	10 GΩ	-40	+125	IP66/68	IP 20				✓	(UL, CSA)	
S-EHV	3, 6, 10, (12), (20), 16 ,(32)		10 GΩ	-40	+125	IP66/68	IP 20	✓		✓		UL, CSA	
S-ESHV	3, 6, 10, (12), (20)		10 GΩ	-40	+125	IP66/68	IP 20		✓			UL, CSA	
S-HSB	6, (12)		10 GΩ	-40	+125	IP66/68	IP 20	✓				UL, CSA	
S-K 8/24	16A cont x 8 + 10A cont x 24		10 GΩ	-40	+125	IP66/68	IP 20			✓		UL	
S-K 12/2	40A cont x 12 + 10A cont x 2		10 GΩ	-40	+125	IP66/68	IP 20			✓		UL	
S-K 6/36	40A cont x 6 + 10A cont x 36		10 GΩ	-40	+125	IP66/68	IP 20			✓		UL	
S-K 4/2	80A cont x 4 + 16A cont x 2		10 GΩ	-40	+125	IP66	IP 20	✓				UL	
S-K 4/8	80A cont x 4 + 16A cont x 8		10 GΩ	-40	+125	IP66	IP 20	✓				UL	
S-K 6/6	100A cont x 6 + 16A cont x 6		10 GΩ	-40	+125	IP66	IP 20			✓		(UL)	
S-Q 2/0	2		10 GΩ	-40	+125	IP66/67/68	IP 20	✓				(UL)	
S-Q 5/0	5		10 GΩ	-40	+125	IP66/67/68	IP 20			✓		UL, CSA	
S-Q 7/0	7		10 GΩ	-40	+125	IP66/67/68	IP 20			✓		UL	
S-Q 12	12		10 GΩ	-40	+125	IP66/67/68	IP 20			✓		UL, CSA	
S-Q 8/0	8		10 GΩ	-40	+125	IP66	IP 20			✓		UL, CSA	
S-QD 17	17		10 GΩ	-40	+125	IP66	IP 20			✓		UL, CSA	
S-QD 4/2	40A cont x 4 + 10A cont x 2		10 GΩ	-40	+125	IP66	IP 20			✓		UL, CSA	
S-DD/PCB	24, 42, 72, 108		10 GΩ	-40	+125	IP66/68	IP 20			PCB			
S-E/PCB	6, 10, 16, 24		10 GΩ	-40	+125	IP66/68	IP 20			PCB			
S-Q7/PCB	7		10 GΩ	-40	+125	IP66/67/68	IP 20			PCB			
S-IEC	4+2pC, 8+2pC, 8p4C, 8p8C		500 MΩ	-40	+85	IP66/67	IP 20			IDC			
S-CX3A	2		10 GΩ	-40	+125	IP66/67	IP 20			✓		UL	
S-CX4	4			-40	+125	IP66/67	IP 20			✓		UL	

Inserts series <i>Serie inserti</i>	No. of poles (1) <i>No. di poli (1)</i> Main contacts + ⊕ <i>Contatti principali + ⊕</i>	Auxiliary contacts <i>Contatti ausiliari</i>	Insulation resistance <i>Resistenza di isolamento</i>	Temperature limits <i>Limiti di temperatura ambientale</i>		Degree protection <i>Grado di protezione</i>			Conductor connection <i>Connessione dei conduttori</i>				Approvals <i>Approvazioni</i>
				Min. °C	Max. °C	With (4) enclosures <i>Con custodie</i>	Without enclosures <i>Senza custodie</i>	Screw <i>A vite</i>	Spring <i>A molla</i>	Crimp <i>A crimpare</i>	Terminal block <i>Morsettiera</i>		
S-CX/8	8			-40	+85	IP66/67	IP20			✓		UL	
S-CX/75	1			-40	+85	IP66/67	IP20			✓		UL	
S-CX/50	1			-40	+85	IP66/67	IP20			✓		UL	
S-M200/1	1		10 GΩ	-40	+125	IP66/68	IP20			✓		(UL)	
S-M100/2	2		10 GΩ	-40	+125	IP66/68	IP20			✓		UL	
S-M70/2	2		10 GΩ	-40	+125	IP66/68	IP20			✓		UL	
S-M40/2A	2		10 GΩ	-40	+125	IP66/68	IP20	✓				(UL)	
S-M40/2C	2		10 GΩ	-40	+125	IP66/68	IP20			✓		(UL)	
S-M40/3A	3		10 GΩ	-40	+125	IP66/68	IP20	✓				(UL)	
S-M40/3C	3		10 GΩ	-40	+125	IP66/68	IP20			✓		UL	
S-M40/4	4		10 GΩ	-40	+125	IP66/68	IP20			✓		UL	
S-M40/3/4	40A cont. x 3 + 10A cont. x 4		10 GΩ	-40	+125	IP66/68	IP20			✓		UL	
S-M16/6	6		10 GΩ	-40	+125	IP66/68	IP20			✓		UL	
S-M16/6HV	6		10 GΩ	-40	+125	IP66/68	IP20			✓		UL	
S-M16/8	8		10 GΩ	-40	+125	IP66/68	IP20			✓		UL	
S-M16/20	20		10 GΩ	-40	+125	IP66/68	IP20			✓		UL	
S-M16/5	5		10 GΩ	-40	+125	IP66/68	IP20		✓			UL	
S-M16/2HV	2		10 GΩ	-40	+125	IP66/68	IP20			✓		-	
S-M10/12	12		10 GΩ	-40	+125	IP66/68	IP20			✓		UL	
S-M10/17	17		10 GΩ	-40	+125	IP66/68	IP20			✓		UL	
S-MD/25	25		10 GΩ	-40	+125	IP66/68	IP20			✓		UL	
S-MD/9	9		10 GΩ	-40	+125	IP66/68	IP20			✓		UL	
S-M/RJ45	8p8C		10 GΩ	-40	+125	IP66/68	IP20			IDC		-	

Remarks:

- 1) The polarities indicated in brackets are obtained using two inserts
- 2) See the inserts load diagrams to determine the actual limit working current according to the ambient temperature.
- 3) The certifications in brackets are pending
- 4) The enclosures STD, HE, STD-HV, HE-HV, EMC series are in accordance with IP66, IP67 protection degree EN 60529 depending on different design. They also meet the Standard ANSI/UL50, ANSI/UL50E, CSA C22.2 No 94-1-2, NEMA 250 and are UL certified Type 2/4x/12. The HP-HE series meet the IP68/IP69 Protection Degree (EN60529) and the type 4/6x/12 in accordance with ANSI/UL50, ANSI/UL50E, NEMA 250 standards

Note:

- 1) Il numero di poli indicato tra parentesi è ottenuto utilizzando 2 inserti.
- 2) Consultare le curve di carico degli inserti per determinare l'effettiva corrente di esercizio limite in funzione della temperatura ambiente.
- 3) Le certificazioni indicate tra parentesi sono in corso di ottenimento
- 4) Le custodie serie STD, HE, STD-HV, HE-HV, EMC hanno un grado di protezione IP66 o IP67 (EN60529) secondo il progetto. Sono anche conformi agli standards: ANSI/UL50, ANSI/UL50E, CSA C22.2 No 94-1-2, NEMA 250 e sono certificate UL Type 4/4x/12. La serie HP-HE soddisfa il grado di protezione IP68/IP69 (EN60529) e il tipo 4/6x/12 secondo le norme ANSI/UL50, ANSI/UL50E, NEMA 250

Technical characteristics	Caratteristiche tecniche
<p>Connectors compliant with DESINA[®] standard</p> <p>DESINA[®] (Distributed and Standardized INstAllation technology) is an innovative installation system studied by the German Manufacturers of Machine Tools Association (VDW), with the cooperation of users (including German automotive manufacturers) and component manufacturers, which has led to the introduction of a specification aimed to standardize electrical, hydraulic and pneumatic components and their interconnection on common platform for CNC controlled machine tools and manufacturing lines. The DESINA[®] specification has been enclosed into ISO TC 184/ SC1 "Industrial automation systems and integration / Physical device control" as an ISO standard.</p> <p>The ISO standards are the following:</p> <p>ISO 23570-1: Industrial automation systems and integration - Distributed installation in industrial applications: Part 1 - Sensors and actuators.</p> <p>ISO 23570-2: Industrial automation system and integration. Distributed installation in industrial applications. Part 2: Hybrid communication bus</p> <p>ISO 23570-3: Industrial automation system and integration. Distributed installation in industrial applications. Part 3: Power distribution bus</p> <p>Normally, production systems are controlled by various field bus available on the market such as PROFIBUS, CAN, INTERBUS, etc. DESINA[®] distributed system and interface and connector standardization, which allow a single distributed control system to be independent from the bus communication protocol selected by the final user, ensure lower installation costs.</p> <p>DESINA[®] connection tipology requires a control bus and a power bus.</p> <p>The hybrid (optical/electrical) control bus provides a serial connection for the device by using a cable consisting of two fibre optics and four power lines. The devices are fitted with 2 hybrid connectors for bus entry and exit. The hybrid connectors include an interface circuit which turns the TX electrical signal to optical signal with TTL levels and the RX signal from optical to electrical signal with TTL levels.</p> <p>The Molex hybrid connectors for control bus are under development.</p> <p>The power bus provides a serial connection for drives, controls and power supplies and, more specifically, is suitable to supply power to motors and to their control units.</p> <p>The standard connector to control motors is the S-QD 8 which, with 8 poles 16A 500V, and the series of crimp contacts, not only provides a power connection, but also connects the motor brake and safety thermistor.</p> <p>Another connector with the same size of the enclosure «32x13» is also available: S-QD 4/2 featuring 4 poles 40A 400/690V and 2, 10A 250V auxiliaries.</p> <p>For the motor side connection, the connector size 10B «57x27» serie S-E 10p 16A 500V 6kV 3, with screw or crimp terminals or S-ES 10p / S-EP 10p with spring or Push in terminals should be used. Molex connectors are manufactured according to DESINA[®] specifications and in compliance with ISO 23570-2 and 23570-3 standards.</p>	<p>Connettori per lo standard DESINA[®]</p> <p>DESINA[®] (abbreviazione di Distributed and Standardised INstAllation technology) è un innovativo sistema di installazione studiato dalla Associazione Tedesca dei Costruttori di Macchine Utensili (VDW) a cui hanno partecipato utilizzatori (tra cui i costruttori di automobili tedeschi) e i fabbricanti di componentistica, che si è concretizzato con una specifica per la standardizzazione dei componenti elettrici, idraulici e pneumatici e della loro interconnessione su macchine a controllo numerico e su linee di produzione. La specifica DESINA[®] è stata accettata dall'ISO TC 184/SC 1 "Industrial automation System and integration / Physical device control"</p> <p>Le norme ISO sono le seguenti:</p> <p>ISO 23570-1: Sistemi per l'automazione industriale ed integrazione. Installazione distribuita nelle applicazioni industriali. Parte 1: Sensori ed attuatori.</p> <p>ISO 23570-2: Sistemi per l'automazione industriale ed integrazione. Installazione distribuita nelle applicazioni industriali. Parte 2: Bus di comunicazione ibrido.</p> <p>ISO 23570-3: Sistemi per l'automazione industriale ed integrazione. Installazione distribuita nelle applicazioni industriali. Parte 3: Bus di comunicazione di potenza.</p> <p>I sistemi di controllo sono normalmente controllati dai vari sistemi di bus di campo disponibili sul mercato quali PROFIBUS, CAN, INTERBUS, ecc.</p> <p>Il sistema di distribuzione DESINA[®] e la standardizzazione delle interfacce e dei connettori, che permette di montare un unico sistema di controllo distribuito indipendente dal protocollo di comunicazione bus scelto dall'utilizzatore finale, consentono di ridurre i costi di installazione.</p> <p>La tipologia di collegamento DESINA[®] prevede un bus di controllo ed un bus di trasporto energia.</p> <p>Il bus di controllo, di tipo ibrido (ottico/elettrico), connette in serie i dispositivi mediante un cavo composto da due fibre ottiche e da quattro linee elettriche. I dispositivi vengono dotati di 2 connettori ibridi per l'entrata e l'uscita del bus.</p> <p>I connettori ibridi incorporano un circuito di interfaccia che trasforma il segnale da trasmettere da elettrico con livelli TTL ad ottico e quello da ricevere da ottico ad elettrico con livelli TTL.</p> <p>Molex sta sviluppando connettori ibridi per il bus di controllo.</p> <p>Il bus di trasporto energia connette, in modo seriale, drivers, controlli ed alimentatori ed è particolarmente indicato per alimentare i motori e le loro unità di controllo.</p> <p>Il connettore standard per il controllo dei motori è il S-QD 8 che con 8 poli 16A 500V, con contatti a crimpare, consente di collegare non solo la potenza ma anche il freno ed il termistore di sicurezza del motore.</p> <p>È disponibile un altro connettore avente la stessa grandezza «32x13» S-QD 4/2 con 4 poli 40A 400/690V e 2 ausiliari 10A 250V.</p> <p>Per la connessione lato motore è previsto l'impiego del connettore grandezza 10B «57x27» S-E 10p, 16A 500V 6kV 3, con morsetti a vite o a crimpare o S-ES 10p con terminali a molla, o S-EP 10p Push in. I connettori Molex sono costruiti secondo le specifiche DESINA[®] ed in accordo con le norme ISO 23570-2 e 23570-3.</p>

Technical features

Caratteristiche tecniche

Connectors for power bus compliant with DESINA® specifications and with ISO 23570-3 standard.

Connettori presa e spina per bus di potenza in accordo con specifiche DESINA® e con norma ISO 23570-3.

The connectors inserts for power bus are the following:

Gli inserti sul bus di potenza sono i seguenti:

S-QD series size «32x13»

Serie S-QD grandezza «32x13»

S-QD 8/0 Female Part No. 7608.5807.0
 S-QD 8/0 Male Part No. 7608.5907.0

Serie S-QD 8/0 Femmina Codice 7608.5807.0
 Serie S-QD 8/0 Maschio Codice 7608.5907.0

S-QD 4/2 Female Part No. 7606.5815.0
 S-QD 4/2 Male Part No. 7606.5915.0

Serie S-QD 4/2 Femmina Codice 7606.5815.0
 Serie S-QD 4/2 Male Codice 7606.5915.0

The technical characteristics of inserts and contacts are in the section 07 of this catalogue.

Inserti e contatti sono descritti dettagliatamente nella sezione 07 di questo catalogo.

The relevant enclosures size «32x13» both in thermoplastic material and in aluminium casting (metal) are displayed in the section 28.

Le relative custodie della grandezza «32x13» sia in materiale plastico che metalliche sono descritte nella sezione 28 di questo catalogo.

Inserts size 10B «57x27» S-E, S-EC, S-ES, S-EP and S-EST series

Inserti grandezza 10B «57x27» serie S-E, S-EC, S-ES, S-EP e S-EST

S-E 10p	Screw	Female	Part No. 7310.6004.0
S-E 10p	Screw	Male	Part No. 7310.6104.0
S-EC 10p	Crimp	Female	Part No. 7310.6062.0
S-EC 10p	Crimp	Male	Part No. 7310.6162.0
S-ES 10p	Spring	Female	Part No. 7310.5852.0
S-ES 10p	Spring	Male	Part No. 7310.5952.0
S-EP 10p	Push-in	Female	Part No. 7310.5862.0
S-EP 10p	Push-in	Male	Part No. 7310.5962.0
S-EST10p	Screw	Female	Part No. 7310.6004.4
S-EST10p	Screw	Male	Part No. 7310.6104.4

S-E 10p	Vite	Femmina	Codice 7310.6004.0
S-E 10p	Vite	Maschio	Codice 7310.6104.0
S-EC 10p	Crimpare	Femmina	Codice 7310.6062.0
S-EC 10p	Crimpare	Maschio	Codice 7310.6162.0
S-ES 10p	Molla	Femmina	Codice 7310.5852.0
S-ES 10p	Molla	Maschio	Codice 7310.5952.0
S-EP 10p	Push-in	Femmina	Codice 7310.5862.0
S-EP 10p	Push-in	Maschio	Codice 7310.5962.0
S-EST 10p	Vite	Femmina	Codice 7310.6004.4
S-EST 10p	Vite	MAschio	Codice 7310.6004.4

The above inserts are displayed in the section 02 of this catalogue.

Questi inserti sono descritti dettagliatamente nella sezione 02 di questo catalogo.

For the relevant enclosures size 10B «57x27», see the enclosure section.

Per le custodie grandezza «57x27» vedere la sezione custodie.



Technical features	Caratteristiche tecniche
<p>EUROMAP: European Committee of machinery Manufacturers for plastic and rubber industry.</p> <p>EUROMAP: Cover the plastic and rubber machinery manufacturing industries in Austria, France, Germany, Italy, Luxemburg, the Netherlands, Spain, Switzerland, Turkey and the United Kingdom. The national associations for all these Countries are member of EUROMAP.</p> <p>EUROMAP: Provide to the Members also: Technical Recommendation highlighting state-of-the-art requirements: EUROMAP Recommendation.</p> <p>The inserts and the relevant enclosures manufactured by Molex meet the following EUROMAP Recommendation:</p>	<p>EUROMAP: Comitato Europeo costruttori macchine per materie plastiche e gomme.</p> <p>EUROMAP: Copre i costruttori di macchine per materie plastiche e gomma in Austria, Francia, Germania, Italia, Lussemburgo, Olanda, Spagna, Svizzera, Turchia e U.K. Le relative associazioni nazionali di questi Paesi sono membri di EUROMAP.</p> <p>EUROMAP: Fornisce fra l'altro: Raccomandazioni tecniche che mettono in rilievo i massimi requisiti tecnologici.</p> <p>Gli inserti e le relative custodie prodotte da Molex soddisfano le seguenti raccomandazioni EUROMAP:</p>

EUROMAP Recommendation No. <i>Raccomandazioni tecniche EUROMAP</i>	Connector type: Series/No poles <i>Tipo di connettore: Serie/Num. poli</i>
EUROMAP 12, vers. 1,3	S-A16 x 2
EUROMAP 13, vers. 1,2	S-A16
EUROMAP 14, part. 1	S-A16
EUROMAP 14, part. 2, vers. 1,2	For 16A (Amp) inserts: S-E16, S-EC16, S-ES16, S-EP16, S-EST16 For 35A (Amp) inserts: S-HSB6
EUROMAP 16, vers. 1,2	Version A: S-D8 Version B: S-A10
EUROMAP 67, 67.1 vers. 1,7 and 71	S-D25
EUROMAP 67, 67.1 vers. 1,7 and 71	Plug type: S-D50 Pin insert: 7125.4112.0 Pin insert "Z": 7125.4112.3 Socket insert: 7125.4012.0 Socket insert "Z": 7125.4012.3

Description	Descrizione
<p>The fire safety reference standards for railway industry are listed below:</p> <p>Italian standards: UNI CEI 11170-1: Trains and trams- Fire safety guidelines for trains, trams and guide vehicles. General principles. UNI CEI 11170-2: Trains and trams- Fire safety guidelines for trains , trams and guide vehicles. Design recommendations. Fire containment measures.Indications, monitoring and evacuation systems. UNI CEI 11170-3: Trains and trams- Fire safety guidelines for trains , trams and guide vehicles. Assessment of effect of fire on materials. Acceptable limits.</p> <p>French standards: NF F 16-101: Matériel roulant ferroviaire-Comportement au feu- Choix des matériaux. NF F16-102: Matériel roulant ferroviaire-Comportement au feu- Choix des équipements électriques. NF X 70-100: Analyse des gaz de pyrolyse et de combustion. NF X 70-702: Determination de l'opacité des fumés en atmospheres non renouvelée.</p> <p>English standard: BS 6853-1999: Fire Testing to railways components: Code of practice for fire precautions in the design and construction of passenger carrying trains.</p> <p>American standards: ASTM E 662: Standard Test Method for Specific Optical Density of Smoke Generated by Solid Materials. ASTM E 162: Standard Test Method for Surface Flammability of Material Using a Radiant Heat Energy Source. NFPA 130:2010: Standard for fixed guideway transit and passenger rail systems.</p> <p>German standards: DIN 5510-2: Fire Test for railway component. Preventive fire protect in railway vehicle parts. Fire behaviour and fireside effects of material and parts.</p> <p>European standards: CEN/TS 45545: Railways applications-Fire protection of railway vehicles- Requirement for fire behaviour of materials and components. CEN = European Committee for standardization TS = Technical Standard</p>	<p><i>Le norme di riferimento in materia di protezione al fuoco in ambito ferroviario sono le seguenti:</i></p> <p><i>Norme Italiane:</i> UNI CEI 11170-1: <i>Veicoli ferrotramviari – Linee guida per la protezione al fuoco dei veicoli ferrotramviari ed a vie guidate. Principi generali</i> UNI CEI 11170-2: <i>Veicoli ferrotramviari – Linee guida per la protezione al fuoco dei veicoli ferrotramviari ed a vie guidate. Accorgimenti progettuali. Misure di contenimento dell'incendio. Sistemi di segnalazione, controllo ed evacuazione.</i> UNI CEI 11170-3: <i>Veicoli ferrotramviari – Linee guida per la protezione al fuoco dei veicoli ferrotramviari ed a vie guidate. Valutazione del comportamento al fuoco dei materiali. Limiti di accettabilità.</i></p> <p><i>Norme Francesi:</i> NF F 16-101: <i>Matériel roulant ferroviaire-Comportement au feu- Choix des matériaux.</i> NF F16-102: <i>Matériel roulant ferroviaire-Comportement au feu- Choix des équipements électriques.</i> NF X 70-100: <i>Analyse des gaz de pyrolyse et de combustion.</i> NF X 70-702: <i>Determination de l'opacité des fumés en atmospheres non renouvelée.</i></p> <p><i>Norme Inglesi:</i> BS 6853-1999: <i>Fire testing to railways components: Code of practice for fire precautions in the design and construction of passenger carrying trains.</i></p> <p><i>Norme Americane:</i> ASTM E 662: <i>Standard Test Method for Specific Optical Density of Smoke Generated by Solid Materials.</i> ASTM E 162: <i>Standard Test Method for Surface Flammability of Material Using a Radiant Heat Energy Source.</i> NFPA 130:2010: <i>Standard for fixed guideway transit and passenger rail systems.</i></p> <p><i>Norme Tedesche:</i> DIN 5510-2: <i>Fire Test for railway component. Preventive fire protect in railway vehicle parts. Fire behaviour and fireside effects of material and parts.</i></p> <p><i>Norme Europee:</i> CEN/TS 45545: <i>"Railways applications-Fire protection of railway vehicles- Requirement for fire behaviour of materials and components." CEN = European Committee for standardization TS = Technical Standard</i></p>

Description	Descrizione
<p>This is still a project of European standard as not yet published as Standard but as Technical Specification (TS) instead: it is voluntary not mandatory.</p> <p>To attest the compliance with the Railway field Directives (interoperability of high-speed and conventional railways) the current national standards in force in the single EU member states are considered as equivalent in terms of safety.</p> <p>Those EU Member States which don't have their own regulations still refer to the TS45545 standard.</p> <p>Molex submitted its connector materials to the following tests, run by independent external Laboratories:</p> <ul style="list-style-type: none"> • Flame spread rate: Reference standard : ISO EN 11925-2 Results: FS< 150mm in 60s • Smokes optical density and calculation of smoke rate: Reference standards: AFNOR NF10-702-1-1995 AFNOR NF10-702-2-1994 AFNOR NF F16-101-1988 Results for Smoke index I.F. = 10.8 • Heat release and/or organic materials pyrolysis and conventional toxicity index. Results: Conventional toxicity index (ITC)= 9.9 Flame rate : F1 (better than F2) • Tests show that thermoplastic materials used on Molex GWconnect connectors are compliant with the requirements of UNI-CEI-11170 part 3 standard. 	<p><i>Progetto di Norma Europea in quanto non ancora pubblicato come Norma ma come Specifica Tecnica (TS): è volontaria non obbligatoria. Per la verifica della conformità alle Direttive nel settore ferroviario (interoperabilità delle reti ad alta velocità e convenzionali) vengono considerate equivalenti ai fini della sicurezza le Norme nazionali vigenti degli stati Membri della Unione Europea. Gli Stati Membri che non hanno Norme proprie fanno riferimento alla TS45545.</i></p> <p><i>Molex ha sottoposto i materiali dei propri connettori alle seguenti prove eseguite presso laboratori esterni indipendenti:</i></p> <ul style="list-style-type: none"> • <i>Indice di Propagazione al fuoco: Norma di Riferimento: ISO EN 11925-2 Risultati ottenuti: FS < 150mm in 60s</i> • <i>Determinazione della densità ottica dei fumi e calcolo dell'indice di fumo: Norme di Riferimento: AFNOR NF10-702-1-1995 AFNOR NF10-702-2-1994 AFNOR NF F16-101-1988 Valori ottenuti Indice di Fumo I.F. = 10.8</i> • <i>Determinazione dei gas effluenti dalla combustione e/o pirolisi di materiali organici e calcolo dell'indice di tossicità convenzionale. Valore ottenuti: Indice di tossicità convenzionale (ITC)= 9.9 Classe di Fumo determinata: F1 (migliore di F2)</i> • <i>Dalle prove risulta che i materiali termoplastici utilizzati nei connettori Molex GWconnect sono conformi ai requisiti della Norma UNI-CEI-11170 parte 3.</i>

Technical characteristics and applications

Caratteristiche tecniche ed applicazioni

The enclosures are designed in conformance with EN61984 and ANSI/UL50, ANSI UL50E and CSA C22.2 No. 94.1-2
 Le custodie sono progettate in conformità alle norme EN61984 e ANSI/UL50, ANSI UL50E e CSA C22.2 No. 94.1-2

-Types available/ Tipi disponibili:

- STD :** For standard applications for inserts up to 250V or 500V
 Per applicazioni standard per inserti fino a 250V o 500V
- STD-HV :** For standard applications for inserts up to 830V
 Per applicazioni standard per inserti fino a 830V
- HE :** For harsh environmental requirements and inserts up to 250V or 500V
 Per ambienti aggressivi ed inserti fino a 250V o 500V
- HE-HV :** For harsh environmental requirements and inserts up to 830V
 Per ambienti aggressivi ed inserti fino a 830V
- EMC :** For applications that require electromagnetic compatibility (EMC), for inserts up to 500V
 Per applicazioni dove è richiesta la compatibilità elettromagnetica (EMC), per inserti fino a 500V
- HP-HE:** For harsh environmental with high performance
 Per ambienti aggressivi e con alte prestazioni

-Locking system with one lever or two levers
 Sistema di chiusura singolo con una leva o due leve

-Locking system with screws or bayonet type screws (HP-HE series)
 Sistema di chiusura con viti o con viti a baionetta (serie HP-HE)

-Metric or Pg thread available for Metric and Pg cable glands IP66, IP67 and IP68
 Sono disponibili filettature Metriche o Pg per pressacavi IP66, IP67 e IP68

-Enclosures with NPT threads are available on request for American market
 Custodie con filettature NPT sono disponibili su richiesta per il mercato americano

-For flat cables
 Per cavi piatti

-Degree of protection according to EN 60529 for coupled hood/housings with cable glands: IP66/IP67/IP68
 Grado di protezione secondo EN 60529 per custodie accoppiate e con pressacavi : IP66/IP67/IP68

-Class of protection in accordance to ANSI / UL50E Type 4,4x,12, NEMA 250 Type 4/4x/12 and type 4X/6p/12 (HP-HE series)
 Classe di protezione secondo ANSI / UL50E Type 4, 4x, 12, NEMA 250 Type 4/4x/12 e tipo 4X/6p/12 (serie HP-HE)

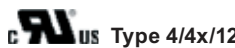
-Water jet with high pressure resistant according ISO20653/DIN40050-9 (IP69)
 Resistente ai getti d'acqua ad alta pressione secondo ISO20653/DIN40050-9 (IP69)

-Limiting temperature: - 40°C ÷ + 125 °C
 Temperatura di impiego: - 40°C ÷ + 125 °C

-SC - standard construction: with small dimensions
 SC - costruzione standard con dimensioni ridotte

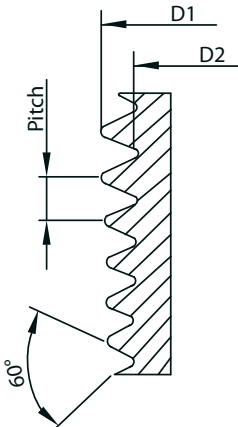
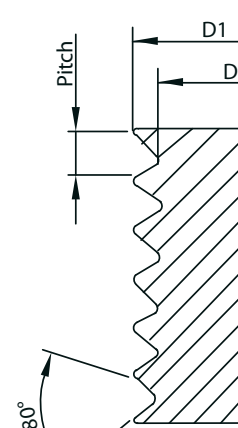
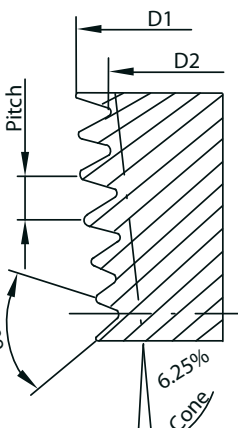
-HC - high construction: bigger size for wider cable diameter
 HC - Costruzione alta per cavi di più grande diametro

-Certifications:
 Certificazioni:



FOR HP-HE series

Material	STD	STD-HV	HE	HE-HV	HP-HE	EMC
Body Corpo	Die cast aluminium alloy - Also in polyamide for STD type Lega di alluminio pressofusa - Anche isolate in poliammide per tipo STD					
Surface Finitura superficiale	Polyester powder coating Verniciatura a polvere poliestere		Polyester powder coating Verniciatura a polvere poliestere		Surface with high conductivity Superficie ad alta conduttività	
Color Colore	Grey RAL 7037 Grigio RAL 7037		Black RAL 9005 Nero RAL 9005		Aluminium finishing Finitura alluminio naturale	
Pegs Perni	Stainless steel Acciaio inox					
Screws Viti	Stainless steel Acciaio inox					
Springs Molle	Stainless steel Acciaio inox					
Levers Leve	Galvanized steel or stainless steel Acciaio protetto galvanicamente o inox		Stainless steel Acciaio inox		Stainless steel Acciaio inox	
Gaskets Guarnizioni	NBR		NBR		Conductive elastomer Elastomero conduttivo	

Drawing of screw Disegno della vite	Technical characteristics Caratteristiche tecniche	Thread Filettatura	Standards Norme	Type Tipo																																																																																
	<table border="1"> <thead> <tr> <th>Pitch Passo</th> <th>D1</th> <th>D2</th> <th>Panel drilling Foratura pannello</th> </tr> </thead> <tbody> <tr><td>1</td><td>6</td><td>5</td><td>6,5</td></tr> <tr><td>1,25</td><td>8</td><td>6,75</td><td>8,5</td></tr> <tr><td>1 o 1,5</td><td>10</td><td>9o8,5</td><td>10,5</td></tr> <tr><td>1,5</td><td>12</td><td>10,5</td><td>12,5</td></tr> <tr><td>1,5</td><td>16</td><td>14,5</td><td>16,5</td></tr> <tr><td>1,5</td><td>20</td><td>18,5</td><td>20,5</td></tr> <tr><td>1,5</td><td>25</td><td>23,5</td><td>25,5</td></tr> <tr><td>1,5</td><td>32</td><td>30,5</td><td>32,5</td></tr> <tr><td>1,5</td><td>40</td><td>38,5</td><td>40,5</td></tr> <tr><td>1,5</td><td>50</td><td>48,5</td><td>50,5</td></tr> <tr><td>1,5</td><td>63</td><td>61,5</td><td>63,5</td></tr> <tr><td>1,5</td><td>75</td><td>73,5</td><td>75,5</td></tr> <tr><td>2</td><td>80</td><td>78</td><td>80,5</td></tr> <tr><td>2</td><td>90</td><td>88</td><td>90,5</td></tr> <tr><td>2</td><td>100</td><td>98</td><td>100,5</td></tr> </tbody> </table>	Pitch Passo	D1	D2	Panel drilling Foratura pannello	1	6	5	6,5	1,25	8	6,75	8,5	1 o 1,5	10	9o8,5	10,5	1,5	12	10,5	12,5	1,5	16	14,5	16,5	1,5	20	18,5	20,5	1,5	25	23,5	25,5	1,5	32	30,5	32,5	1,5	40	38,5	40,5	1,5	50	48,5	50,5	1,5	63	61,5	63,5	1,5	75	73,5	75,5	2	80	78	80,5	2	90	88	90,5	2	100	98	100,5	<table border="1"> <thead> <tr> <th>Thread Filettatura</th> </tr> </thead> <tbody> <tr><td>M 6 x 1</td></tr> <tr><td>M 8 x 1,25</td></tr> <tr><td>M 10 x 1 or 1,5</td></tr> <tr><td>M 12 x 1,5</td></tr> <tr><td>M 16 x 1,5</td></tr> <tr><td>M 20 x 1,5</td></tr> <tr><td>M 25 x 1,5</td></tr> <tr><td>M 32 x 1,5</td></tr> <tr><td>M 40 x 1,5</td></tr> <tr><td>M 50 x 1,5</td></tr> <tr><td>M 63 x 1,5</td></tr> <tr><td>M 75 x 1,5</td></tr> <tr><td>M 80 x 2</td></tr> <tr><td>M 90 x 2</td></tr> <tr><td>M 100 x 2</td></tr> </tbody> </table>	Thread Filettatura	M 6 x 1	M 8 x 1,25	M 10 x 1 or 1,5	M 12 x 1,5	M 16 x 1,5	M 20 x 1,5	M 25 x 1,5	M 32 x 1,5	M 40 x 1,5	M 50 x 1,5	M 63 x 1,5	M 75 x 1,5	M 80 x 2	M 90 x 2	M 100 x 2	<p>ISO Metric thread In accordance with UNI5737 ISO 261</p> <p><i>Filettature metriche ISO secondo UNI5737 ISO 261</i></p>	Metric
Pitch Passo	D1	D2	Panel drilling Foratura pannello																																																																																	
1	6	5	6,5																																																																																	
1,25	8	6,75	8,5																																																																																	
1 o 1,5	10	9o8,5	10,5																																																																																	
1,5	12	10,5	12,5																																																																																	
1,5	16	14,5	16,5																																																																																	
1,5	20	18,5	20,5																																																																																	
1,5	25	23,5	25,5																																																																																	
1,5	32	30,5	32,5																																																																																	
1,5	40	38,5	40,5																																																																																	
1,5	50	48,5	50,5																																																																																	
1,5	63	61,5	63,5																																																																																	
1,5	75	73,5	75,5																																																																																	
2	80	78	80,5																																																																																	
2	90	88	90,5																																																																																	
2	100	98	100,5																																																																																	
Thread Filettatura																																																																																				
M 6 x 1																																																																																				
M 8 x 1,25																																																																																				
M 10 x 1 or 1,5																																																																																				
M 12 x 1,5																																																																																				
M 16 x 1,5																																																																																				
M 20 x 1,5																																																																																				
M 25 x 1,5																																																																																				
M 32 x 1,5																																																																																				
M 40 x 1,5																																																																																				
M 50 x 1,5																																																																																				
M 63 x 1,5																																																																																				
M 75 x 1,5																																																																																				
M 80 x 2																																																																																				
M 90 x 2																																																																																				
M 100 x 2																																																																																				
	<table border="1"> <thead> <tr> <th>Pitch Passo</th> <th>D1</th> <th>D2</th> <th>Panel drilling Foratura pannello</th> </tr> </thead> <tbody> <tr><td>1,27</td><td>12,5</td><td>11,28</td><td>12,7</td></tr> <tr><td>1,41</td><td>15,2</td><td>13,86</td><td>15,4</td></tr> <tr><td>1,41</td><td>18,6</td><td>17,26</td><td>18,8</td></tr> <tr><td>1,41</td><td>20,4</td><td>19,06</td><td>20,7</td></tr> <tr><td>1,41</td><td>22,5</td><td>21,16</td><td>22,8</td></tr> <tr><td>1,587</td><td>28,3</td><td>26,78</td><td>28,6</td></tr> <tr><td>1,587</td><td>37</td><td>35,48</td><td>37,4</td></tr> <tr><td>1,587</td><td>47</td><td>45,48</td><td>47,5</td></tr> <tr><td>1,587</td><td>54</td><td>52,48</td><td>54,5</td></tr> <tr><td>1,587</td><td>59,3</td><td>57,78</td><td>59,8</td></tr> </tbody> </table>	Pitch Passo	D1	D2	Panel drilling Foratura pannello	1,27	12,5	11,28	12,7	1,41	15,2	13,86	15,4	1,41	18,6	17,26	18,8	1,41	20,4	19,06	20,7	1,41	22,5	21,16	22,8	1,587	28,3	26,78	28,6	1,587	37	35,48	37,4	1,587	47	45,48	47,5	1,587	54	52,48	54,5	1,587	59,3	57,78	59,8	<table border="1"> <thead> <tr> <th>Thread Filettatura</th> </tr> </thead> <tbody> <tr><td>Pg 7</td></tr> <tr><td>Pg 9</td></tr> <tr><td>Pg 11</td></tr> <tr><td>Pg 13,5</td></tr> <tr><td>Pg 16</td></tr> <tr><td>Pg 21</td></tr> <tr><td>Pg 29</td></tr> <tr><td>Pg 36</td></tr> <tr><td>Pg 42</td></tr> <tr><td>Pg 48</td></tr> </tbody> </table>	Thread Filettatura	Pg 7	Pg 9	Pg 11	Pg 13,5	Pg 16	Pg 21	Pg 29	Pg 36	Pg 42	Pg 48	<p>Panzergewinde In accordance with DIN 40430</p> <p><i>Secondo DIN 40430</i></p>	Pg																									
Pitch Passo	D1	D2	Panel drilling Foratura pannello																																																																																	
1,27	12,5	11,28	12,7																																																																																	
1,41	15,2	13,86	15,4																																																																																	
1,41	18,6	17,26	18,8																																																																																	
1,41	20,4	19,06	20,7																																																																																	
1,41	22,5	21,16	22,8																																																																																	
1,587	28,3	26,78	28,6																																																																																	
1,587	37	35,48	37,4																																																																																	
1,587	47	45,48	47,5																																																																																	
1,587	54	52,48	54,5																																																																																	
1,587	59,3	57,78	59,8																																																																																	
Thread Filettatura																																																																																				
Pg 7																																																																																				
Pg 9																																																																																				
Pg 11																																																																																				
Pg 13,5																																																																																				
Pg 16																																																																																				
Pg 21																																																																																				
Pg 29																																																																																				
Pg 36																																																																																				
Pg 42																																																																																				
Pg 48																																																																																				
	<table border="1"> <thead> <tr> <th>Pitch Passo</th> <th>External Esterno</th> <th>Threads per inch No. filetti per pollice</th> </tr> </thead> <tbody> <tr><td>1,411</td><td>13,616</td><td>18</td></tr> <tr><td>1,411</td><td>17,055</td><td>18</td></tr> <tr><td>1,814</td><td>21,223</td><td>14</td></tr> <tr><td>1,814</td><td>26,568</td><td>14</td></tr> <tr><td>2,208</td><td>33,227</td><td>11,5</td></tr> <tr><td>2,208</td><td>41,984</td><td>11,5</td></tr> <tr><td>2,208</td><td>48,0 53</td><td>11,5</td></tr> <tr><td>2,208</td><td>60,091</td><td>11,5</td></tr> <tr><td>3,175</td><td>72,699</td><td>8</td></tr> <tr><td>3,175</td><td>88,608</td><td>8</td></tr> <tr><td>3,175</td><td>100,013</td><td>8</td></tr> </tbody> </table>	Pitch Passo	External Esterno	Threads per inch No. filetti per pollice	1,411	13,616	18	1,411	17,055	18	1,814	21,223	14	1,814	26,568	14	2,208	33,227	11,5	2,208	41,984	11,5	2,208	48,0 53	11,5	2,208	60,091	11,5	3,175	72,699	8	3,175	88,608	8	3,175	100,013	8	<table border="1"> <thead> <tr> <th>Thread Filettatura</th> </tr> </thead> <tbody> <tr><td>1/4"</td></tr> <tr><td>3/8"</td></tr> <tr><td>1/2"</td></tr> <tr><td>3/4"</td></tr> <tr><td>1"</td></tr> <tr><td>1 1/4"</td></tr> <tr><td>1 1/2"</td></tr> <tr><td>2"</td></tr> <tr><td>2 1/2"</td></tr> <tr><td>3"</td></tr> <tr><td>3 1/2"</td></tr> </tbody> </table>	Thread Filettatura	1/4"	3/8"	1/2"	3/4"	1"	1 1/4"	1 1/2"	2"	2 1/2"	3"	3 1/2"	<p>American Standard Taper Pipe Thread In accordance with / Secondo USAS B2-1</p> <p>PG/NPT and metric/NPT adapters are available in the section 50 of this catalogue</p> <p><i>Adattatori da PG a NPT e da metrico a NPT sono disponibili nella sezione 50 di questo catalogo</i></p>	NPT																																
Pitch Passo	External Esterno	Threads per inch No. filetti per pollice																																																																																		
1,411	13,616	18																																																																																		
1,411	17,055	18																																																																																		
1,814	21,223	14																																																																																		
1,814	26,568	14																																																																																		
2,208	33,227	11,5																																																																																		
2,208	41,984	11,5																																																																																		
2,208	48,0 53	11,5																																																																																		
2,208	60,091	11,5																																																																																		
3,175	72,699	8																																																																																		
3,175	88,608	8																																																																																		
3,175	100,013	8																																																																																		
Thread Filettatura																																																																																				
1/4"																																																																																				
3/8"																																																																																				
1/2"																																																																																				
3/4"																																																																																				
1"																																																																																				
1 1/4"																																																																																				
1 1/2"																																																																																				
2"																																																																																				
2 1/2"																																																																																				
3"																																																																																				
3 1/2"																																																																																				

The connector housing, seal and locking mechanism protect the contact area from external influences such as mechanical shock, foreign objects, humidity, dust, water and other fluids such as cleansing and cooling agents, oil, etc.
The degree of protection offered by the hood/housing is explained in the IEC 60529, EN 60529, standards that categorize the enclosures according to the level of protection offered against objects and water ingress.

*Le custodie dei connettori, le guarnizioni ed il sistema di chiusura proteggono le connessioni da fattori esterni come urti, intrusioni di oggetti, umidità, polvere, acqua ed altri fluidi come detergenti, liquidi refrigeranti, olii, ecc.
Il grado di protezione offerto dalle custodie è spiegato nelle specifiche IEC 60529, EN 60529 che classificano le custodie secondo il livello di protezione offerto contro corpi estranei e l'ingresso di acqua ed altri liquidi.*

Code letters
(International protection)

IP

First Index Figure
(Foreign objects protection)

6

Second Index Figure
(Water protection) «

5

Index figure <i>Indice delle figure</i>	Degree of protection <i>Grado di protezione</i>	Index figure <i>Indice delle figure</i>	Degree of protection <i>Grado di protezione</i>
0	Non-protected <i>Non protetto</i>	0	Non-protected <i>Non protetto</i>
1	Protected against access to hazardous parts with the back of the hand. Protected against solid foreign objects of 50mm Ø and greater. <i>Protetto contro l'accesso a parti pericolose col dorso della mano. Protetto contro corpi solidi estranei di diametro ≥ 50mm</i>	1	Protected against vertically falling water drops. <i>Protetto contro la caduta verticale di gocce d'acqua</i>
2	Protected against access to hazardous parts with a finger. Protected against solid foreign objects of 12,5mm Ø and greater. <i>Protetto contro l'accesso a parti pericolose con un dito. Protetto contro corpi solidi estranei di diametro ≥ 12,5mm</i>	2	Protected against vertically falling water drops when enclosure tilted up to 15°. <i>Protetto contro la caduta verticale di gocce d'acqua con una inclinazione dell'involucro fino a 15°</i>
3	Protected against access to hazardous parts with a tool. Protected against solid foreign objects of 2,5mm Ø and greater. <i>Protetto contro l'accesso a parti pericolose con un attrezzo (es. cacciavite). Protetto contro corpi solidi estranei di diametro ≥ 2,5mm</i>	3	Protected against spraying water . <i>Protetto contro la pioggia.</i>
4	Protected against access to hazardous parts with a wire. Protected against solid foreign objects of 1,0mm Ø and greater. <i>Protetto contro l'accesso a parti pericolose con un filo. Protetto contro corpi solidi estranei di diametro ≥ 1,0mm</i>	4	Protected against splashing water . <i>Protetto contro gli spruzzi d'acqua.</i>
5	Protected against access to hazardous parts with a wire. Dust-protected <i>Protetto contro l'accesso a parti pericolose con un filo. Protetto contro la polvere.</i>	5	Protected against water jets. <i>Protetto contro i getti d'acqua.</i>
6	Protected against access to hazardous parts with a wire. Dust-tight <i>Protetto contro l'accesso a parti pericolose con un filo. Totalmente protetto contro la polvere</i>	6	Protected against powerfull water jets. <i>Protetto contro getti d'acqua potenti.</i>
		7	Protected against the effects of temporary immersion in water. <i>Protetto contro gli effetti dell'immersione temporanea in acqua.</i>
		8	Protected against the effects of continuous immersion in water. <i>Protetto contro gli effetti dell'immersione continua in acqua.</i>
		9	Protected against high pressure and temperature water jet <i>Protetto contro getti d'acqua ad alta pressione ed alta temperatura</i>

Description according to EN 60529 - Definizioni secondo EN 60529

Extract from EN 60529 para 4-2

Elements of the IP Code and their meanings

A brief description of the IP Code elements is given in the following chart. Full details are specified in the clauses indicated in the last column.

Estratto della Norma EN 60529 par. 4-2

Elementi della struttura del codice IP e loro significati

Nel seguente schema è riportata una breve descrizione degli elementi del Codice IP. Maggiori dettagli sono specificati negli articoli richiamati nell'ultima colonna.

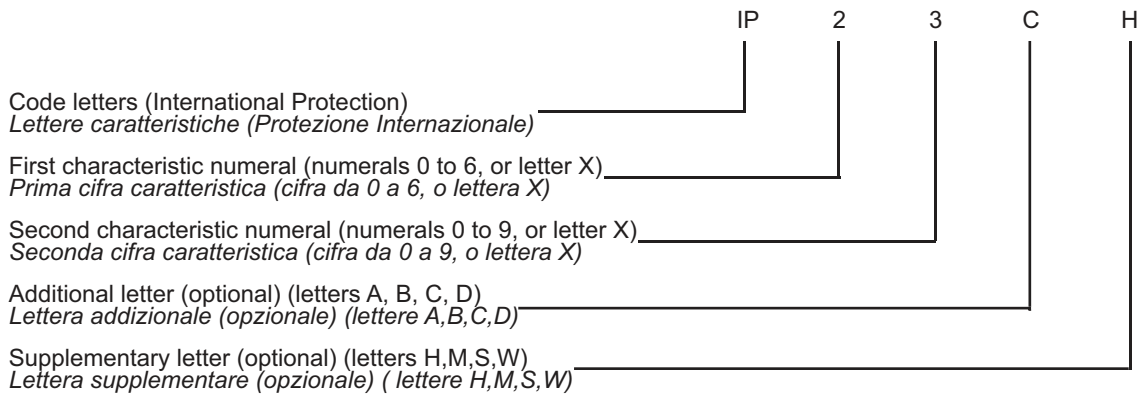
Code letters <i>Lettere caratteristiche</i>	IP	Meaning for the protection of equipment <i>Significato per la protezione dell'apparecchiatura</i>	Meaning for the protection of persons <i>Significato per la protezione delle persone</i>
First characteristic numeral <i>Prima cifra caratteristica</i>	0 1 2 3 4 5 6	Against ingress of solid foreign objects <i>Contro l'ingresso di corpi solidi estranei</i> Non protected - <i>Non protetto</i> ≥ 50 mm diameter - <i>≥ 50 mm diametro</i> ≥ 12,5 mm diameter - <i>≥ 12,5 mm diametro</i> ≥ 2,5 mm diameter - <i>≥ 2,5 mm diametro</i> ≥ 1,0 mm diameter - <i>≥ 1,0 mm diametro</i> Dust protected - <i>Protetto contro la polvere</i> Dust tight - <i>Totalmente protetto contro la polvere</i>	Against access to hazardous parts with: <i>Contro l'accesso a parti pericolose con:</i> Non protected - <i>Non protetto</i> Back of hand - <i>Dorso mano</i> Finger - <i>Dito</i> Tool - <i>Attrezzo</i> Wire - <i>Filo</i> Wire - <i>Filo</i> Wire - <i>Filo</i>
Second characteristic numeral <i>Seconda cifra caratteristica</i>	0 1 2 3 4 5 6 7 8 9	Against ingress of water harmful effects <i>Contro la penetrazione di acqua con effetti dannosi</i> Non protected - <i>Non protetto</i> Vertically dripping - <i>Caduta verticale</i> Dripping (15° tilted) - <i>Caduta di gocce d'acqua (inclinazione 15°)</i> Spraying - <i>Pioggia</i> Splashing - <i>Spruzzi d'acqua</i> Jetting - <i>Getti d'acqua</i> Powerful jetting - <i>Getti potenti</i> Temporary immersion - <i>Immersione temporanea</i> Continuous immersion - <i>Immersione continua</i> High pressure and high temperature water jets - <i>Getti d'acqua ad alta pressione e temperatura</i>	
Additional letter (optional) <i>Lettera addizionale (opzionale)</i>	A B C D		Against access to hazardous parts with: <i>Contro l'accesso a parti pericolose con:</i> Back of hand - <i>Dorso mano</i> Finger - <i>Dito</i> Tool - <i>Attrezzo</i> Wire - <i>Filo</i>
Supplementary letter (optional) <i>Lettera supplementare (opzionale)</i>	H M S W	Supplementary information specific to: <i>Informazioni supplementari relative a:</i> High-voltage apparatus - <i>Apparecchiature ad alta tensione</i> Motion during water test - <i>Prova con acqua con apparecchiatura in moto</i> Stationary during water test - <i>Prova con acqua con apparecchiature non in moto</i> Weather conditions - <i>Condizioni atmosferiche</i>	

Extract from EN 60529 para 4-1

Estratto della Norma EN 60529 par. 4-1

Arrangement of the IP Code

Struttura del codice IP



Where a characteristic numeral is not required to be specified, it shall be replaced by the letter "X" ("XX" if both numerals are omitted). Additional letters and/or supplementary letters may be omitted without replacement. Where more than one supplementary letter is used, the alphabetic sequece shall apply. If an enclosure provides different degree of protection for different intended mounting arrangements, the relevant degree of protection shall be indicated by the manufacturer in the instructions related to the respective mounting arrangements.

Quando non sia richiesta una cifra caratteristica, quest'ultima deve essere sostituita dalla lettera "X" ("XX" se sono omesse entrambe le cifre). Le lettere addizionali e/o supplementari possono essere omesse senza essere sostituite. Nel caso di più lettere supplementari, si deve applicare l'ordine alfabetico. Se un involucro fornisce diversi gradi di protezione per differenti sistemi di montaggio, il costruttore deve indicare nelle istruzioni i gradi di protezione corrispondenti ai differenti sistemi di montaggio.

Extract from EN 60529 para 4-1

Estratto della Norma EN 60529 par. 4-1

Arrangement of the IP Code

Struttura del codice IP

Enclosure passes test for:		Designation and marking	Range of application
Water jets. Second characteristic numeral <i>Getti d'acqua: secondo numero caratteristico</i>	Temporary/continuous immersion. Second characteristic numeral <i>Temporanea/continua immersione: secondo numero caratteristico</i>	<i>Designazione e marcatura</i>	<i>Campo d'applicazione</i>
5	7	IPX5/IPX7	Versatile
5	8	IPX5/IPX8	Versatile
6	7	IPX6/IPX7	Versatile
6	8	IPX6/IPX8	Versatile
9	7	IPX7/IPX9	Versatile
9	8	IPX8/IPX9	Versatile
5 and 9	7	IPX5/IPX7/IPX9	Versatile
5 and 9	8	IPX5/IPX8/IPX9	Versatile
6 and 9	7	IPX6/IPX7/IPX9	Versatile
6 and 9	8	IPX6/IPX8/IPX9	Versatile
-	7	IPX7	Restricted/ <i>Semplice</i>
-	8	IPX8	Restricted/ <i>Semplice</i>
9	-	IPX9	Restricted/ <i>Semplice</i>
5 and 9	-	IPX5/IPX9	Versatile
6 and 9	-	IPX6/IPX9	Versatile

Enclosures for "restricted" application indicated in the last column are considered suitable only for the conditions to which they were tested.

Gli involucri indicati per applicazioni semplici (restricted) di cui all'ultima colonna sono ritenuti idonei solamente per le condizioni a cui sono stati sottoposti a prova.

The connector housing, seal and locking mechanism protect the contact area from external influences such as mechanical shock, foreign objects, humidity, dust, water and other fluids such as cleansing and cooling agents, oil, etc.
The standard NEMA 250-1991 (National (USA) Electrical Manufacturers Association) also classify the enclosures in accordance with the class of protection offered against the ingress of objects and liquid and against the corrosion in indoor or outdoor applications.

Le custodie dei connettori, le guarnizioni ed il sistema di chiusura proteggono le connessioni da fattori esterni come urti, intrusione di oggetti, umidità, polvere, acqua ed altri fluidi come detergenti, liquidi refrigeranti, olii, ecc.
La normativa NEMA 250-1991 (National (USA) Electrical Manufacturers Association) classifica le custodie secondo la classe (Type) di protezione offerta contro l'ingresso di oggetti, liquidi e contro la corrosione, in applicazioni interne ed esterne.

Type	Description	Type	Descrizione
Type 1	Enclosures constructed for indoor use to provide a degree of protection to personnel against incidental contact with the enclosed equipment and to provide a degree of protection against falling dirt.	Type 1	Custodie costruite per uso interno che forniscono un grado di protezione al personale contro i contatti accidentali con le apparecchiature contenute all'interno e un grado di protezione contro lo sporco in caduta.
Type 2	Enclosures constructed for indoor use to provide a degree of protection to personnel against incidental contact with the enclosed equipment, to provide a degree of protection against falling dirt, and to provide a degree of protection against dripping and light splashing of non-corrosive liquids.	Type 2	Custodie costruite per uso interno che forniscono un grado di protezione al personale contro i contatti accidentali con le apparecchiature contenute all'interno e un grado di protezione contro lo sporco in caduta ed un grado di protezione contro gocciolature e spruzzi leggeri di liquidi non corrosivi.
Type 3	Enclosures constructed for either indoor or outdoor use to provide a degree of protection to personnel against incidental contact with the enclosed equipment; to provide a degree of protection against falling dirt, rain, sleet, snow, and windblown dust; and that will be undamaged by the external formation of ice on the enclosures.	Type 3	Custodie costruite sia per usi interni che esterni che forniscono un grado di protezione al personale contro i contatti accidentali con le apparecchiature contenute all'interno e un grado di protezione contro lo sporco in caduta, pioggia, grandine, neve e polvere portata dal vento e che non vengono danneggiate dalla formazione di ghiaccio esterno sulla custodia stessa.
Type 3R	Enclosures constructed for either indoor or outdoor use to provide a degree of protection to personnel against incidental contact with the enclosed equipment; to provide a degree of protection against falling dirt, rain, sleet, snow, and that will be undamaged by the external formation of ice on the enclosures.	Type 3R	Custodie costruite sia per usi interni che esterni che forniscono un grado di protezione al personale contro i contatti accidentali con le apparecchiature contenute all'interno e un grado di protezione contro lo sporco in caduta, pioggia, grandine, neve e che non vengono danneggiate dalla formazione di ghiaccio esterno sulla custodia stessa.
Type 3S	Enclosures constructed for either indoor or outdoor use to provide a degree of protection to personnel against incidental contact with the enclosed equipment; to provide a degree of protection against falling dirt, rain, sleet, snow, and windblown dust; and in which the external mechanism(s) remain operable when ice laden.	Type 3S	Custodie costruite sia per usi interni che esterni che forniscono un grado di protezione al personale contro i contatti accidentali con le apparecchiature contenute all'interno e un grado di protezione contro lo sporco in caduta, pioggia, grandine, neve e polvere portata dal vento e nelle quali i meccanismi esterni rimangono operativi malgrado la formazione di ghiaccio.
Type 4	Enclosures constructed for either indoor or outdoor use to provide a degree of protection to personnel against incidental contact with the enclosed equipment; to provide a degree of protection against falling dirt, rain, sleet, snow, windblown dust, splashing water and hose-directed water; and that will be undamaged by the external formation of ice on the enclosures.	Type 4	Custodie costruite sia per usi interni che esterni che forniscono un grado di protezione al personale contro i contatti accidentali con le apparecchiature contenute all'interno e un grado di protezione contro lo sporco in caduta, pioggia, grandine, neve e polvere portata dal vento, spruzzi e getti d'acqua e che non vengono danneggiate dalla formazione di ghiaccio esterno sulla custodia stessa.
Type 4X	Enclosures constructed for either indoor or outdoor use to provide a degree of protection to personnel against incidental contact with the enclosed equipment; to provide a degree of protection against falling dirt, rain, sleet, snow, windblown dust, splashing water and hose-directed water; and corrosion; and that will be undamaged by the external formation of ice on the enclosures.	Type 4X	Custodie costruite sia per usi interni che esterni che forniscono un grado di protezione al personale contro i contatti accidentali con le apparecchiature contenute all'interno e un grado di protezione contro lo sporco in caduta, pioggia, grandine, neve e polvere portata dal vento, spruzzi e getti d'acqua e contro la corrosione e che non vengono danneggiate dalla formazione di ghiaccio esterno sulla custodia stessa.
Type 5	Enclosures constructed for indoor use to provide a degree of protection to personnel against incidental contact with the enclosed equipment; to provide a degree of protection against falling dirt; against settling airborne dust, lint, fibers, and flyings; and to provide a degree of protection against dripping and light splashing of non-corrosive liquids.	Type 5	Custodie costruite per uso interno che forniscono un grado di protezione al personale contro i contatti accidentali con le apparecchiature contenute all'interno e un grado di protezione contro lo sporco in caduta, il deposito di polvere, di filamenti e fibre nell'aria ed insetti ed un grado di protezione contro gocciolature e spruzzi leggeri di liquidi non corrosivi.
Type 6	Enclosures constructed for either indoor or outdoor use to provide a degree of protection to personnel against incidental contact with the enclosed equipment; to provide a degree of protection against falling dirt, rain, sleet, snow, hose-directed water, and the entry of water during occasional temporary submersion at a limited depth, and that will be undamaged by the external formation of ice on the enclosure.	Type 6	Custodie costruite sia per usi interni che esterni che forniscono un grado di protezione al personale contro i contatti accidentali con le apparecchiature contenute all'interno e un grado di protezione contro lo sporco in caduta, pioggia, grandine, neve, getti d'acqua e l'entrata di acqua in caso di immersione temporanea ed ad una limitata profondità e che non vengono danneggiate dalla formazione di ghiaccio esterno sulla custodia stessa.
Type 6p	Enclosures constructed for either indoor or outdoor use to provide a degree of protection to personnel against incidental contact with the enclosed equipment; to provide a degree of protection against falling dirt, rain, sleet, snow, hose-directed water, corrosion, and the entry of water during prolonged submersion at a limited depth, and that will be undamaged by the external formation of ice on the enclosure.	Type 6p	Custodie costruite sia per usi interni che esterni che forniscono un grado di protezione al personale contro i contatti accidentali con le apparecchiature contenute all'interno e un grado di protezione contro lo sporco in caduta, pioggia, grandine, neve, getti d'acqua corrosione, e l'entrata di acqua in caso di immersione prolungata ed ad una limitata profondità e che non vengono danneggiate dalla formazione di ghiaccio esterno sulla custodia stessa.
Type 12	Enclosures constructed (without knockouts) for indoor use to provide a degree of protection to personnel against incidental contact with the enclosed equipment; to provide a degree of protection against falling dirt, circulating dust, lint, fibers, and flyings; against dripping and light splashing of non-corrosive liquids; and against light splashing and consequent seepage of oil and non-corrosive coolants.	Type 12	Custodie costruite per uso interno (senza preforature) che forniscono un grado di protezione al personale contro i contatti accidentali con le apparecchiature contenute all'interno e un grado di protezione contro lo sporco in caduta, la circolazione di polvere, di filamenti e fibre nell'aria ed insetti; contro gocciolature e spruzzi leggeri di liquidi non corrosivi; contro spruzzi leggeri e conseguente infiltrazione di olio e di liquidi refrigeranti non corrosivi.
Type 12K	Enclosures constructed (with knockouts) for indoor use to provide a degree of protection to personnel against incidental contact with the enclosed equipment; to provide a degree of protection against falling dirt, circulating dust, lint, fibers, and flyings; against dripping and light splashing of non-corrosive liquids; and against light splashing and consequent seepage of oil and non-corrosive coolants.	Type 12K	Custodie costruite per uso interno (con preforature) che forniscono un grado di protezione al personale contro i contatti accidentali con le apparecchiature contenute all'interno e un grado di protezione contro lo sporco in caduta, la circolazione di polvere, di filamenti e fibre nell'aria ed insetti; contro gocciolature e spruzzi leggeri di liquidi non corrosivi; contro spruzzi leggeri e conseguente infiltrazione di olio e di liquidi refrigeranti non corrosivi.
Type 13	Enclosures constructed for indoor use to provide a degree of protection to personnel against incidental contact with the enclosed equipment; to provide a degree of protection against falling dirt; against circulating dust, lint, fibers, and flyings; and against the spraying, splashing, and seepage of water, oil, and non-corrosive coolants.	Type 13	Custodie costruite per uso interno che forniscono un grado di protezione al personale contro i contatti accidentali con le apparecchiature contenute all'interno e un grado di protezione contro lo sporco in caduta, la circolazione di polvere, di filamenti e fibre ed insetti; contro vapori e spruzzi e conseguente infiltrazione di acqua, olio e di liquidi refrigeranti non corrosivi.

Type description of NEMA250 updated in accordance with ANSI/UL 50 E
The Molex/GWconnect enclosures meet the requirements of NEMA Type 4,4X and 12. Moreover they are tested and certified in accordance with ANSI/UL 50, 50E and CSA C22.2 No.94-1-2 standards for the class Type 4,4X and 12 that is with the marks:



The enclosures HP-HE series meet the requirements of NEMA Type 4,6p/12



Descrizione dei tipi NEMA250 aggiornati secondo ANSI/UL 50 E
Le custodie Molex/GWconnect rispondono ai requisiti indicati per le classi NEMA Type 4,4X e 12. Inoltre sono state testate e certificate secondo la norma ANSI/UL 50, 50E e CSA C 22.2 No. 94.1.2 per la classe Type 4,4X e 12 ovvero con i marchi:

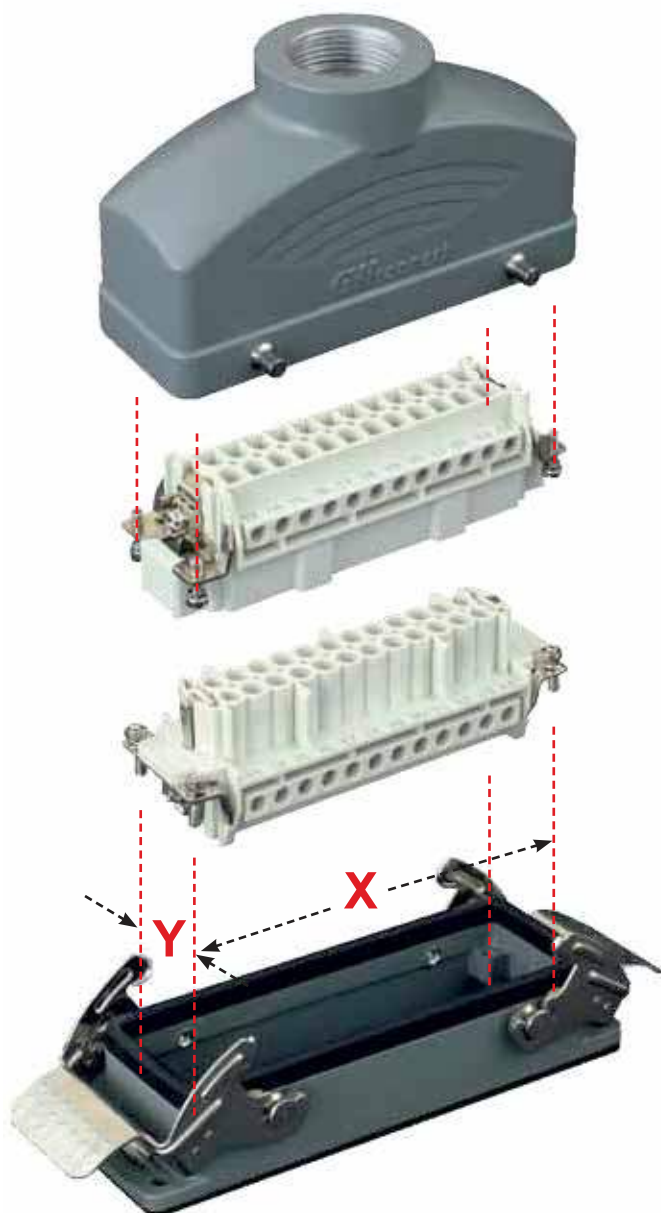


Le custodie della serie HP-HE rispondono ai requisiti per le classi NEMA Type 4,6p/12



UL US Type 4/4x/12

SP US Type 4/4x/12



Technical characteristics of enclosures see section 18.xx

Caratteristiche tecniche delle custodie vedere sezione 18.xx

Size and identification of the enclosures:

There are a large number of connector inserts and their relative enclosures so the selection of a correct combination may be complex.

To facilitate this operation as well as the normal item/part No., a further identification parameter has been introduced: the "size" value.

The "size" value refers to the screw fixing centre distances which constitute a unique element since they are common to both the inserts and enclosures. This is as indicated in the illustration on the left and the table below.

The following table shows all the sizes of the enclosures and the dimensions of the housings where the inserts will be assembled.

Grandezza ed identificazione delle custodie:

Gli inserti e le relative custodie sono numerosi e pertanto la relativa ricerca del perfetto accoppiamento dell'uno sull'altra può risultare complessa.

Per facilitare l'operazione suddetta oltre al normale codice identificativo dell'articolo, è stata introdotta la definizione di "Grandezza".

Quest'ultima, come indicato nell'immagine a lato e nella tabella qui di seguito, è riferita agli interassi di fissaggio, i quali, essendo comuni sia agli inserti che alle custodie, costituiscono un elemento inequivocabile per la selezione.

La tabella riporta tutte le "Grandezze" delle custodie e le dimensioni delle sedi di fissaggio degli inserti.

Type <i>Typo</i>	Enclosure «Size» identification «Grandezze» delle custodie identificazione	Housing space for inserts with screw fixing centre distance x-y <i>Sede per inserti con interasse fissaggio x-y</i>
3A	«21 x 21»	(21 x 21 mm) *
10A	«49x16»	49,5 x 16 mm
16A	«66x16»	66 x 16 mm
32A	«66 x 40»	66 x 16 mm (2 inserts)
6B	«44 x 27»	44 x 27 mm
10B	«57 x 27»	57 x 27 mm
16B	«77 x 27»	77,5 x 27 mm
24B	«104 x 27»	104 x 27 mm
32B	«77 x 62»	77,5 x 27 mm (2 inserts)
48B	«104 x 62»	104 x 27 mm (2 inserts)
QD	«32 x 13»	32,2 x 13,4 mm
1M	«34.2 x 14.6»	(34,2 x 14,6 mm) *

* The screw fixing centre distance cannot be given because they only have one screw: «21 x 21» indicates the size of the sectioned insert.

* Dimensioni relative all'ingombro degli inserti in sezione non potendo identificare un interasse di fissaggio perché forniti di unica vite.

The housing bulkhead mounting need 2 or 4 screws for the assembly on the panel (not supplied with the enclosures).
The maximum torque shall be limited by the gasket installed in between the enclosure and the panel.

*Le custodie da incasso necessitano di 2 o 4 viti per l'assemblaggio sul pannello (Viti non fornite con le custodie).
La massima coppia di serraggio di tali viti è limitata dalla guarnizione installata tra la custodia ed il pannello stesso*

Housing <i>Custodie</i>	No. of screws <i>Num. viti</i>	Size of screws <i>Dimensione viti</i>	Recommended tightening torque <i>Coppie di serraggio raccomandate</i>	Remarks <i>Note</i>
3A «21x21»	2	M3	0.8 - 1.0 Nm	Gasket <i>Guarnizione</i>
«32x13» Bulkhead straight <i>Da incasso dritta</i>	2	M3	0.8 - 1.0 Nm	Gasket <i>Guarnizione</i>
«32x13» Bulkhead 90° <i>Da incasso 90°</i>	2	M4	0.8 - 1.0 Nm	Gasket <i>Guarnizione</i>
10A «49x16», 16A «66x16» 1M «34.2x14.6»	4	M3	0.8 - 1.0 Nm	Gasket <i>Guarnizione</i>
32A «66x40»	4	M4	0.8 - 1.0 Nm	Gasket <i>Guarnizione</i>
6B «44x27» 10B «57x27» 16B «77x27» 24B «104x27»	4 4 4 4	M4 M4 M4 M4	0.8 - 1.0 Nm 0.8 - 1.0 Nm 0.8 - 1.0 Nm 0.8 - 1.0 Nm	Gasket <i>Guarnizione</i>
32B «77x62»	4	M5	1.5 - 2.0 Nm	Gasket <i>Guarnizione</i>
48B «104x62»	4	M6	1.5 - 2.0 Nm	Gasket <i>Guarnizione</i>
3A «21x21» HP-HE and HP-EMC series	2	M4	1.0 Nm	O-ring
HP-HE series size 6B «44x27» 10B «57x27» 16B «77x27» 24B «104x27»	4 4 4 4	M6 M6 M6 M6	3.0 Nm 3.0 Nm 3.0 Nm 3.0 Nm	O-ring O-ring O-ring O-ring

To offer the IP protection the surface condition of mounting panel should meet the following characteristics:

- Waviness ≤ 0.2 mm on 200 mm distance
- Roughness Ra ≤ 16 μ m

Per garantire il grado di protezione IP la superficie del pannello deve soddisfare le caratteristiche seguenti:

- *Planarità $\leq 0,2$ mm su 200 mm di distanza*
- *Rugosità Ra ≤ 16 μ m.*

**Standard version STD series:
Versione standard - serie STD:**



Description:

The STD series was developed for application in electric and electronic machinery, control units, electric panels, control equipment, industrial environments and wherever a sectional and reliable connection is required for power and signal circuits.

Characteristics of materials used:

STD Series -Insuladed

- Self extinguishing thermoplastic material in grey RAL 9002 or black RAL 9005.
- Gaskets in anti-ageing, oil resistant, grease resistant and fuel resistant vinyl nitrile elastomer.
- Monoblock locking device in self extinguishing thermoplastic material for insulating enclosures.

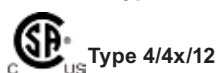
Descrizione:

Serie studiata per l'equipaggiamento elettrico ed elettronico di macchinari, unità di controllo, quadri elettrici, apparecchiature di comando, in ambienti industriali e in genere ovunque sia richiesta una connessione sezionabile e affidabile per circuiti di potenza e di segnale.

Caratteristiche dei materiali impiegati:

STD -Serie isolata:

- Materiale termoplastico autoestinguente colore grigio RAL 9002 o nero RAL 9005.
- Guarnizioni in elastomero vinil-nitrile antinvecchiamento, resistenti agli olii, ai grassi, ai carburanti.
- Dispositivo di chiusura monoblocco in materiale termoplastico autoestinguente.



**Standard version STD series:
Versione standard - serie STD:**



Description:

The STD series was developed for application in electric and electronic machinery, control units, electric panels, control equipment, industrial environments and wherever a sectional and reliable connection is required for power and signal circuits.

Characteristics of materials used:

STD-Metal:

- Die cast aluminium alloy
- Polyester powder coating grey RAL 7037
- Gaskets in anti-ageing, oil resistant, grease resistant and fuel resistant vinyl nitrile elastomer.
- Locking device with spring and pegs in stainless steel.
- Monoblock lever in galvanised or stainless steel.

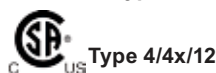
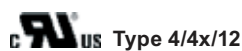
Descrizione:

Serie studiata per l'equipaggiamento elettrico ed elettronico di macchinari, unità di controllo, quadri elettrici, apparecchiature di comando, in ambienti industriali e in genere ovunque sia richiesta una connessione sezionabile e affidabile per circuiti di potenza e di segnale.

Caratteristiche dei materiali impiegati:

STD - Metallica:

- Lega di alluminio pressofusa
- Verniciatura a forno con polvere poliestere, grigio RAL 7037
- Guarnizioni in elastomero vinil-nitrile antinvecchiamento, resistenti agli olii, ai grassi, ai carburanti.
- Dispositivo di chiusura, con molle e perni in acciaio inox.
- Leve monoblocco in acciaio protetto galvanicamente o inox.



**Insulated 830V version STD-HV series:
Versione isolata 830V, serie STD-HV:**



Description:

Application as per standard version. The enclosures do not have tabs and allow the insertion of inserts with a rated voltage up to 830V. The enclosures contain supplementary insulating strips.

Characteristics of materials used:

STD-HV Series

- Die cast aluminium alloy.
- Polyester powder coating grey RAL 7037
- Gaskets in anti-ageing, oil resistant, grease resistant and fuel resistant vinyl nitrile elastomer.
- Locking device with spring and pegs in stainless steel
- Monoblock lever in galvanised or stainless steel.
- Supplementary insulation inside enclosures.

Descrizione:

Per applicazioni come per la versione standard. Le custodie sono sprovviste di nasello e consentono l'inserimento degli inserti con tensione nominale fino a 830V. Montano inoltre all'interno strisce isolanti supplementari

Caratteristiche dei materiali impiegati:

Serie STD-HV

- In lega di alluminio pressofusa.
- Verniciatura a forno con polvere poliestere grigio RAL 7037
- Guarnizioni in elastomero vinil-nitrile antinvecchiamento, resistenti agli olii, ai grassi, ai carburanti.
- Dispositivo di chiusura, con molle e perni in acciaio inox.
- Leve monoblocco in acciaio protetto galvanicamente o inox.
- Applicazione di isolamento supplementare interno alle custodie.



Technical characteristics of enclosures see section 18.xx - Caratteristiche tecniche delle custodie vedere sezione 18.xx

**Version for harsh environmental conditions
HE and HE-HV series:
Versione per ambienti aggressivi:
Serie HE e HE-HV:**



Description:

This series has been developed for industrial applications exposed to particularly aggressive external agents (e.g. salt atmospheres or ambients). The enclosures of HE-HV series do not have any internal tabs and allow the insertion of the inserts with a rated voltage up to 830V. HE and HE-HV are easily recognizable by the black color of the enclosures.

Characteristics of materials used:

- Die cast aluminium alloy.
- Chromate treated die cast
- Polyester powder coated.
- Gaskets in anti-ageing, oil resistant, grease resistant and fuel resistant vinyl nitrile elastomer.
- Monoblock locking device in stainless steel: levers, springs and pegs.
- Supplementary insulation inside enclosures (HE-HV).

Descrizione:

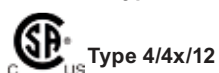
Serie appositamente realizzata per applicazioni industriali ove siano presenti agenti esterni particolarmente aggressivi (es. atmosfere o ambienti salini, ecc.).

Le custodie della serie HE-HV sono sprovviste di nasello e consentono l'inserimento degli inserti con tensione nominale fino a 830V.

La versione è facilmente identificabile dalla colorazione nera delle custodie.

Caratteristiche dei materiali impiegati:

- Lega di alluminio pressofusa.
- Trattamento di cromatazione della pressofusione.
- Verniciatura a forno con polvere poliestere.
- Guarnizioni in elastomero vinil-nitrile antinvecchiamento, resistenti agli olii, ai grassi, ai carburanti.
- Dispositivo di chiusura, con leve monoblocco molle e perni in acciaio inox.
- Isolamento supplementare interno alle custodie (HE-HV).



**EMC and HP-EMC series:
Serie EMC e HP-EMC:**



Description:

This series has been developed for industrial applications that require electromagnetic compatibility (EMC, Electromagnetic Compatibility), in accordance with the European standards that regulate the emission and immunity of the equipments. Directive EMC 2004/108/CE

Characteristics of materials used:

- Die cast aluminium alloy with high surface conductivity
- Special gaskets in highly conductive material
- Locking device with spring and pegs in stainless steel
- Monoblock lever in stainless steel.
- EMC serie: aluminium natural color
- HP-EMC serie: black cromated color

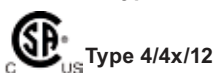
Descrizione:

Serie appositamente realizzata per applicazioni industriali ove sia richiesta la compatibilità elettromagnetica (EMC, Electromagnetic Compatibility) secondo le norme Europee che regolano le emissioni e le immunità degli apparecchi.

Direttiva EMC 2004/108/CE

Caratteristiche dei materiali impiegati:

- Lega di alluminio pressofusa ad elevata conduttività superficiale
- Guarnizioni speciali in materiale altamente conduttivo
- Dispositivo di chiusura, con molle, leve e perni in acciaio inox.
- Leve monoblocco in acciaio inox.
- Serie EMC: colore naturale dell'alluminio
- Serie HP-EMC: cromata colore nero



**HP-HE Series:
Serie HP-HE:**



Description:

This series has been developed for electrical external interconnection in vehicles, railways and for any other applications where particularly harsh environmental resistance, mechanical resistance and IP68 protection degree are required.

Enclosures of HP-HE series are bigger than the other series that receive the same inserts.

They are suitable for inserts with high rated voltage, especially used in railway applications.

The series accept all the inserts with size 3A«21x21» and B size that is 6B «44x27», 10B «57x27», 16B «77x27» and 24B «104x27».

Characteristics of material used:

- Die cast aluminium alloy corrosion resistant
- Zinc alloy for 3A«21x21» enclosures
- Cromated treated die cast
- Polyester powder coated
- Gaskets in anti-ageing, oil resistant, grease resistant and fuel resistant vinyl nitrile elastomer.
- Screws for locking or toggle locking (bayonet type), in stainless steel material.

Descrizione:

Serie utilizzata in connessioni elettriche esterne nei veicoli, nel settore ferroviario, ed in ogni altra applicazione dove sono richieste particolari resistenze agli ambienti aggressivi, alle sollecitazioni meccaniche e grado di protezione IP68.

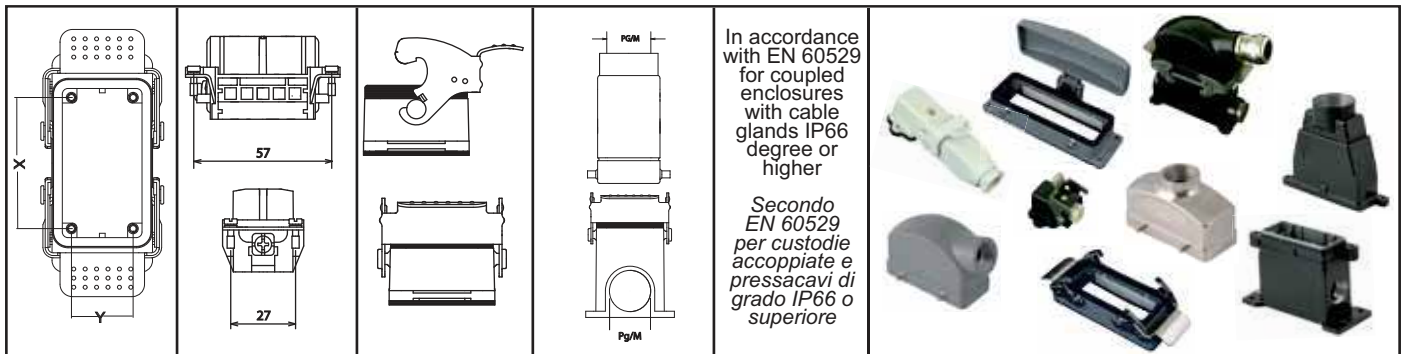
Le custodie della serie HP-HE hanno dimensioni più grandi rispetto le altre serie che accettano inserti della medesima grandezza. Esse sono adatte per inserti con tensioni di lavoro molto alte, in applicazioni principalmente in campo ferroviario. La serie accetta tutti gli inserti di grandezza 3A«21x21», 6B «44x27», 10B «57x27», 16B «77x27» e 24B «104x27».

Caratteristiche dei materiali impiegati:

- Lega di alluminio pressofusa resistente alla corrosione
- Lega di zinco per le custodie grandezza 3A«21x21»
- Guarnizioni in elastomero vinil-nitrile antinvecchiamento, resistenti agli olii, ai grassi, ai carburanti.
- Dispositivo di chiusura tramite viti o tramite speciali viti per il bloccaggio a baionetta, in acciaio inox



Technical characteristics of enclosures see section 18.xx - Caratteristiche tecniche delle custodie vedere sezione 18.xx



In accordance with EN 60529 for coupled enclosures with cable glands IP66 degree or higher

Secondo EN 60529 per custodie accoppiate e pressacavi di grado IP66 o superiore

Enclosures size identification		For inserts with screw fixing centre distance <i>Per inserti con interasse di fissaggio mm</i>	Locking system (levers) <i>Dispositivo di chiusura (leve)</i>	Pg/metric cable clamp, glands size <i>Grandezza del pressacavo</i>	Enclosure degree protection <i>Grado di protezione</i>	Enclosures versions - <i>Versione delle custodie</i>				
Type <i>Tipo</i>	Size <i>Grandezza</i>					Standard - STD series <i>Standard - Serie STD</i>	Insulated 830V STD-HV <i>Isolata per 830V STD-HV</i>	For harsh Environments HE series <i>Per ambienti aggressivi serie HE</i>	EMC version EMC series <i>Versione EMC Serie EMC</i>	HP-HE serie HP-EMC serie <i>Serie HP-HE Serie HP-EMC</i>
3A	21 x 21	21 x 21 (size of inserts) <i>(Grandezza degli inserti)</i>	Single <i>Singolo</i>	Pg 11 M 20	IP66	√	○	●	●	√
10A	49 x 16	49,5 x 16	Single <i>Singolo</i>	Pg 13,5 + 21 M 20 + 25	IP66	√	○	●	●	○
16A	66 x 16	66 x 16	Single <i>Singolo</i>	Pg 13,5 + 21 M 20 + 25	IP66	√	○	●	●	○
1M	34.2x14.6	34.2 x 14.6		M25						
32A	66 x 40	66 x 40	Double <i>Doppio</i>	Pg 21 + 29 M 25 + 40	IP66	√	○	●	●	○
6B	44 x 27	44 x 27	Single <i>Singolo</i>	Pg 13,5 + 29 M 20 + 32	IP66	√	○	●	●	√
10B	57 x 27	57 x 27	Single or double <i>Singolo o doppio</i>	Pg 13,5 + 29 M 20 + 40	IP66	√	√	●	●	√
16B	77 x 27	77,5 x 27	Single or double <i>Singolo o doppio</i>	Pg 21 + 29 M 25 + 40	IP66	√	√	●	●	√
24B	104 x 27	104 x 27	Single or double <i>Singolo o doppio</i>	Pg 21 + 36 M 25 + 63	IP66	√	√	●	●	√
32B	77 x 62	77,5 x 27 (x2)	Single or double <i>Singolo o doppio</i>	Pg 29 + 42 M 32 + 50	IP66	√ ⁽¹⁾	√ ⁽¹⁾	●	○	○
48B	104 x 62	104 x 27 (x2)	Single <i>Singolo</i>	Pg 29 + 42 M 32 + 50	IP66	√ ⁽¹⁾	√ ⁽¹⁾	●	○	○
QD	32 x 13	32,2 x 13,4	Single <i>Singolo</i>	Plastic type for cable <i>Tipo plastico per cavi</i> Dia 8-18mm Metal type <i>Tipo metallico</i> M20-M25-PG13.5/21	IP66	√	○	√	●	○

√ : Normal production - *Produzione normale*
 ● : On request - *Su richiesta*
 ○ : Not available - *Non disponibile*

1) The enclosures with this size can be used with inserts with rated voltage up to 830V.
 1) *Le custodie standard di questa grandezza possono essere utilizzate con inserti con tensione nominale fino a 830V*

This Declaration of Conformity is in accordance with EN ISO/IEC 17050-1

We,

MOLEX Heavy Duty Connector Group S.r.l.
Via Fiume Lambro, 1
20097 San Donato (Milano) – Italy

declare under our own responsibility that the products series of

MULTIPOLAR INDUSTRIAL CONNECTOR (MIC)

are in conformity with the following standards:

EN61984 – Connectors safety requirements and tests

EN175301-801 – High density rectangular connectors, round removable crimp contacts (where applicable).

This Declaration of Conformity refers to the GWconnect Connectors inserts series:

S-A	S-K12/2	S-IEC	S-M16/6HV
S-D	S-K6/36	S-CX/3A	S-M16/8
S-DD	S-K6/12	S-CX/4	S-M16/20
S-E	S-K4/2	S-CX8	S-M16/5
S-EC	S-K4/8	S-CX/75	S-M16/2HV
S-EE	S-Q2/0	S-CX/50	S-M10/12
S-EEE	S-Q5/0	S-M	S-M10/17
S-EST	S-Q7/0	S-M200/1	S-MD/25
S-ES	S-Q12	S-M100/2	S-MD/9
S-EP	S-QD8	S-M70/2	S-MCX/2
S-EAV	S-QD17	S-M40/2	S-MRJ45
S-EHV	S-QD4/2	S-M40/3	S-M/PN
S-ESHV	S-DD/PCB	S-M40/4	S-CRIMP CONT.
S-HSB	S-E/PCB	S-M40/3/4	Accessories for inserts
S-K8/24	S-Q7/PCB	S-M16/6	

And GWconnect (hood/housing) series, all sizes:

STD	HE	EMC	HP-EMC
STD-HV	HE-HV	HP-HE	

Therefore they comply with the basic safety requirements of the Low Voltage Directive (LVD) 2006/95/EC.

Our Quality System is certified and monitored by:

Intertek in conformity with the standard EN ISO 9001:2008 - Certification No. 0815093



Intertek

Last two digits of the year where the “CE” marking was affixed: 04

Place : San Donato (Milano)
Date : October 20, 2014
Signature : Michael Burger, Ph.D.
Director Global Engineering IPG
Global Integrated Products Division

Questa Dichiarazione di Conformità è in accordo alle EN ISO/IEC 17050-1

MOLEX Heavy Duty Connector Group S.R.L.
Via Fiume Lambro, 1
20097 San Donato (Milano) – Italy

dichiara sotto la propria responsabilità che i prodotti della serie

CONNETTORI MULTIPOLARI INDUSTRIALI (MIC)

sono conformi alle seguenti norme:

EN61984 – Connettori prescrizioni di sicurezza e prove

EN175301-801 – Connettori rettangolari ad alta densità con contatti rotondi disinseribili a crimpare.

La Dichiarazione di Conformità riguarda gli inserti GWconnect delle seguenti serie:

S-A	S-K12/2	S-IEC	S-M16/6HV
S-D	S-K6/36	S-CX/3A	S-M16/8
S-DD	S-K6/12	S-CX/4	S-M16/20
S-E	S-K4/2	S-CX8	S-M16/5
S-EC	S-K4/8	S-CX/75	S-M16/2HV
S-EE	S-Q2/0	S-CX/50	S-M10/12
S-EEE	S-Q5/0	S-M	S-M10/17
S-EST	S-Q7/0	S-M200/1	S-MD/25
S-ES	S-Q12	S-M100/2	S-MD/9
S-EP	S-QD8	S-M70/2	S-MCX/2
S-EAV	S-QD17	S-M40/2	S-MRJ45
S-EHV	S-QD4/2	S-M40/3	S-M/PN
S-ESHV	S-DD/PCB	S-M40/4	S-CRIMP CONT.
S-HSB	S-E/PCB	S-M40/3/4	Accessori per inserti
S-K8/24	S-Q7/PCB	S-M16/6	

E le custodie GWconnect serie:

STD	HE	EMC	HP- EMC
STD-HV	HE-HV	HP-HE	

Per quanto dichiarato i prodotti indicati sono conformi ai requisiti della Direttiva Europea 2006/95/EC (Direttiva Bassa Tensione) LVD.

Il nostro Sistema di Gestione per la Qualità è monitorato da:
Intertek in conformità alla Norma EN ISO 9001:2008 – Certificato nr. 0815093



Luogo : San Donato (Milano)

Data : Ottobre 20, 2014

Firma : Michael Burger, Ph.D.
Director Global Engineering IPG
Global Integrated Products Division

molex[®] Declaration of Conformity No 159MIC**GWconnect**

This Declaration of Conformity is in accordance with EN ISO/IEC 17050-1

We,

MOLEX Heavy Duty Connector Group S.r.l.
Via Fiume Lambro, 1
20097 San Donato (Milano) – Italy

declare under our own responsibility that the products series of

POLYAMIDE AND METAL CABLE GLANDS, AND BLANKING PLUGS

are in conformity with the following standards:

EN50282 – Metric cable glands for electrical installation (where applicable).

This Declaration of Conformity refers to the GWconnect cable glands series:

IP66 Polyamide cable glands
IP66 Metal cable glands
IP65 Metal cable glands
IP68 Polyamide cable glands
IP68 Metal cable glands
IP66 Polyamide blanking plugs
IP66 Metal blanking plugs

Therefore they comply with the basic safety requirements of the Low Voltage Directive (LVD) 2006/95/EC.

Our Quality System is certified and monitored by:
Intertek in conformity with the standard EN ISO 9001:2008 - Certification No. 0815093



Last two digits of the year where the “CE” marking was affixed: 04

Place : San Donato (Milano)

Date : October 20, 2014

Signature : Michael Burger, Ph.D.
Director Global Engineering IPG
Global Integrated Products Division

A handwritten signature in blue ink that reads 'Michael Burger' with a checkmark at the end.

molex Dichiarazione di Conformità Nr.160MIC **GWconnect**

Questa Dichiarazione di Conformità è in accordo alle EN ISO/IEC 17050-1

MOLEX Heavy Duty Connector Group S.r.l.
Via Fiume Lambro, 1
20097 San Donato (Milano) – Italy

dichiara sotto la propria responsabilità che i prodotti della serie

PRESSACAVI E TAPPI IN POLIAMMIDE E METALLICI

sono conformi alle seguenti norme:

EN50282 – Pressacavi metrici per installazioni elettriche (dove applicabile).

La Dichiarazione di Conformità riguarda i pressacavi e tappi GWconnect delle seguenti serie:

Pressacavi IP66 in Poliammide
Pressacavi IP66 Metallici
Pressacavi IP65 Metallici
Pressacavi IP68 in Poliammide
Pressacavi IP68 Metallici
Tappi IP66 in Poliammide
Tappi IP66 Metallici

Per quanto dichiarato i prodotti indicati sono conformi ai requisiti della Direttiva Europea 2006/95/EC (Direttiva Bassa Tensione) LVD.

Il nostro Sistema di Gestione per la Qualità è monitorato da:

Intertek in conformità alla Norma EN ISO 9001:2008 – Certificato Nr. 0815093



Luogo : San Donato (Milano)

Data : Ottobre 20, 2014

Firma : Michael Burger, Ph.D.
Director Global Engineering IPG
Global Integrated Products Division

A handwritten signature in blue ink that reads 'Michael Burger'.

**Molex Heavy Duty Connector Group S.r.l.
Via Fiume Lambro, 1
20097 - San Donato Milanese
(Milano) Italy**

Herewith declares that products with **GWconnect** brand

- **Metal and plastic enclosures for Multipole Industrial Connectors (Heavy Duty Connectors).
Series STD, STD-HV, HE, HE-HV, EMC, HP-HE, HP-EMC, all sizes.**

Are designed and manufactured in conformity with NEMA 250 - 1991 Standard and meet the requirements of NEMA Type 4,4x,12, that is:

Type 4: Enclosures constructed for either indoor or outdoor use to provide a degree of protection to personnel against incidental contact with the enclosed equipment; to provide a degree of protection against falling dirt, rain, sleet, snow, windblown dust, splashing water and hose-directed water; and that will be undamaged by the external formation of ice on the enclosures.

Type 4x: Enclosures constructed for either indoor or outdoor use to provide a degree of protection to personnel against incidental contact with the enclosed equipment; to provide a degree of protection against falling dirt, rain, sleet, snow, windblown dust, splashing water and hose-directed water; and corrosion; and that will be undamaged by the external formation of ice on the enclosures.

Type 12: Enclosures constructed (without knockouts) for indoor use to provide a degree of protection to personnel against incidental contact with the enclosed equipment; to provide a degree of protection against falling dirt, circulating dust, lint, fibers, and flyings; against dripping and light splashing of non-corrosive liquids; and against light splashing and consequent seepage of oil and non-corrosive coolants.

NEMA: National (USA) Electrical Manufacturers Association.

Moreover the series STD, STD-HV, HE and HE-HV have been tested and certified in accordance with ANSI/UL 50, 50E and CSA C22.2 No.94-1-2 standards for the class Type 4,4X and 12 that is with mark:



Remark:
Type descriptions of NEMA 250 and ANSI/UL50E are equivalent

And that the standards and/or technical specifications here below indicated have been applied:

- UL 1977:** Component connectors for use in data, signal, control and power applications
- CSA: C22.2 No.182.3:** Special use attachment, plugs, receptacles and connectors
- ANSI/UL 50:** Enclosures for electrical equipment, non environmental consideration
- ANSI/UL 50 E:** Enclosures for electrical equipment, environmental consideration
- CSA C22.2 No.94-1-2:** Special purpose enclosures.
- NMX-J235/1-2:** ANCE: Association of Standardization and Certification (USA)
Special purpose enclosure

Other technical details are included in the datasheet of the product.



Place: San Donato Milanese
Date: October. 20, 2014
Signature: Michael Burger, Ph.D.
Director Global Engineering IPG
Global Integrated Products Division

Molex Heavy Duty Connector Group S.r.l.
Via Fiume Lambro,1
20097 - San Donato Milanese
(Milano) Italia

Dichiara di seguito che i prodotti con il marchio GWconnect

- Custodie metalliche e in materiale plastico per Connettori Multipolari per usi Industriali.
Serie STD, STD-HV, HE, HE-HV, EMC, HP-HE, HP-EMC tutte le grandezze

Sono progettate e costruite in conformità a quanto previsto dalla Norma NEMA 250 - 1991 e rispondono ai requisiti indicati nei NEMA Type 4,4x,12 e precisamente:

Type 4: Custodie costruite sia per usi interni che esterni che forniscono un grado di protezione al personale contro i contatti accidentali con le apparecchiature contenute all'interno e un grado di protezione contro lo sporco in caduta, pioggia, grandine, neve e polvere portata dal vento, spruzzi e getti d'acqua e che non vengono danneggiate dalla formazione di ghiaccio esterno sulla custodia stessa.

Type 4x: Custodie costruite sia per usi interni che esterni che forniscono un grado di protezione al personale contro i contatti accidentali con le apparecchiature contenute all'interno e un grado di protezione contro lo sporco in caduta, pioggia, grandine, neve e polvere portata dal vento, spruzzi e getti d'acqua e contro la corrosione e che non vengono danneggiate dalla formazione di ghiaccio esterno sulla custodia stessa.

Type 12: Custodie costruite per uso interno (senza preforature) che forniscono un grado di protezione al personale contro i contatti accidentali con le apparecchiature contenute all'interno e un grado di protezione contro lo sporco in caduta, la circolazione di polvere, di filamenti e fibre nell'aria ed insetti; contro gocciolature e spruzzi leggeri di liquidi non corrosivi; contro spruzzi leggeri e conseguente infiltrazione di olio e di liquidi refrigeranti non corrosivi.

NEMA: National (USA) Electrical Manufacturers Association.

Inoltre le serie STD, STD-HV, HE e HE-HV sono state testate e certificate secondo la norma ANSI/UL 50, 50E e CSA C 22.2 No. 94.1.2 per la classe Type 4,4X e 12 ovvero con il marchio.

Nota:



Le descrizioni dei Type secondo NEMA 250 e ANSI/UL sono equivalenti

E che sono state applicate tutte le norme e/o specifiche tecniche indicate qui di seguito:

UL1977:	Connettori per dati, segnalazione, controllo e potenza
CSA C22.2 No.182.3:	Connettori, spine e prese per usi particolari
ANSI/UL 50:	Custodie per apparecchiature elettriche. Verifiche non ambientali
ANSI/UL 50 E:	Custodie per apparecchiature elettriche. Verifiche ambientali.
CSA C22.2 No.94-1-2:	Custodie per impieghi speciali.
NMX-J235/1-2:	ANCE: Associazione per la standardizzazione e la certificazione (USA): Custodie per impieghi speciali speciali

Altri dettagli tecnici sono inclusi nella documentazione del prodotto.

Luogo: San Donato Milanese

Data:

Firma: Michael Burger, Ph.D.
 Director Global Engineering IPG
 Global Integrated Products Division

Certificato di Registrazione



Il presente certifica che il Sistema di Gestione per la Qualità di
MOLEX Heavy Duty Connector Group S.r.l.

con sede in: **Via Fiume Lambro, 1 - 20097 San Donato Milanese (MI)/Italia**

è stato verificato e riconosciuto da Intertek conforme ai requisiti della norma

UNI EN ISO 9001:2008

Il Sistema di Gestione per la Qualità è applicabile a

Progettazione e fabbricazione di connettori multipolari per applicazioni industriali, cassette di distribuzione, pressacavi ed accessori per il cablaggio.

Design and manufacture of multipolar connectors for industrial use, distribution boxes, cable glands, and wiring accessories.

IAF 19

risferirsi al Manuale della Qualità per i processi affidati in outsourcing.


La validità del presente certificato è subordinata a sorveglianza periodica annuale. Audit di ricertificazione entro il 16 giugno 2015.

Certificato No.	0815093-01
Data di Prima Emissione	10 agosto 2009
Data di Emissione Corrente: (*)	19 settembre 2014
Data di Scadenza:	31 luglio 2015



(*) Aggiornamento anagrafica e campo d'applicazione



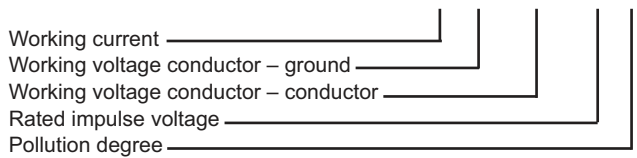


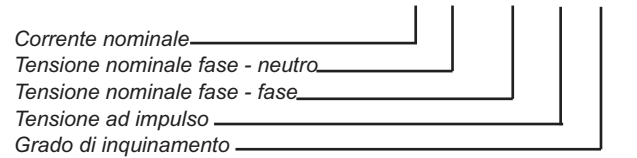

 Giacomo Marchitelli, Technical Manager
 Intertek Italia S.p.A.
 Via Aldo Moro, 47 20060 Gessate (MI)



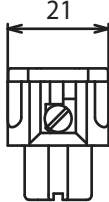

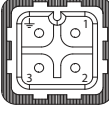
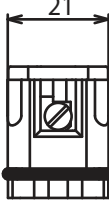


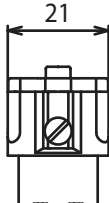


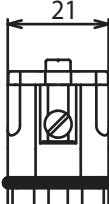

 Colin Moldovan
 Global Business Leader
 Business Assurance



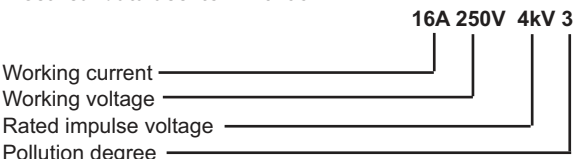
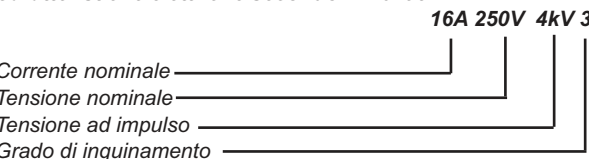
Nel rilascio del presente certificato, Intertek non si assume alcuna responsabilità nei confronti di terzi se non nei confronti del Cliente e solo in conformità con il convenuto Accordo di Certificazione. La validità del presente certificato è subordinata al mantenimento della conformità ai requisiti Intertek per i Sistemi di Gestione. Informazioni puntuali e aggiornate circa la validità ed eventuali variazioni intervenute nello stato della certificazione di cui al presente certificato possono essere verificate via e-mail al seguente indirizzo: certificates.validation@intertek.com, consultando il sito internet www.intertek.com o contattando il n° telefonico 02 36766250.



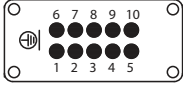
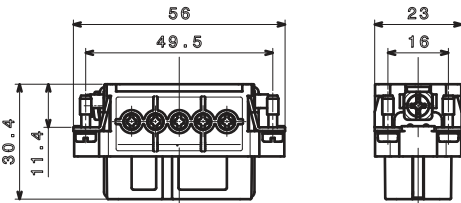
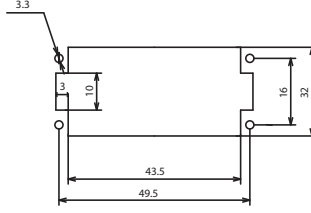


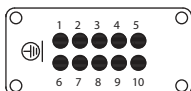
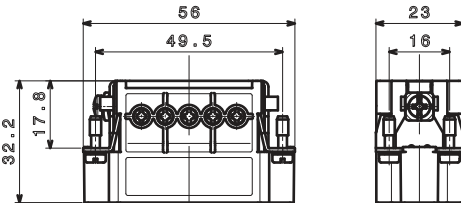
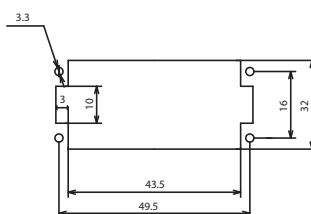
Il Certificato è di proprietà di Intertek Italia S.p.A. alla quale deve essere restituito su richiesta.



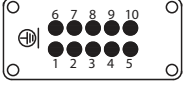
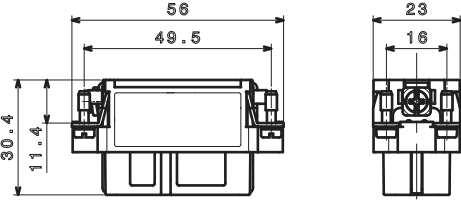
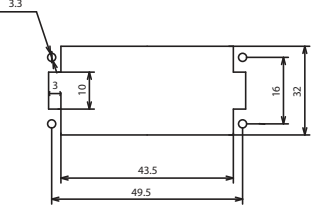


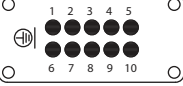
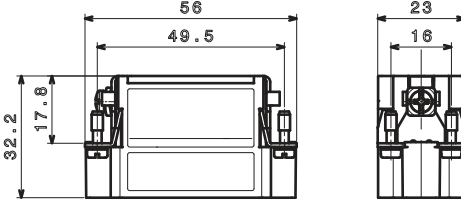
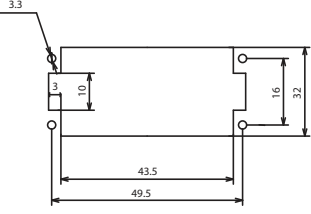




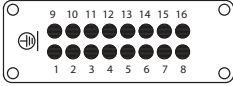
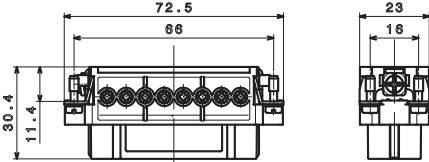
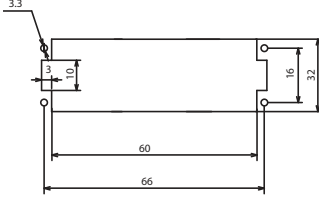


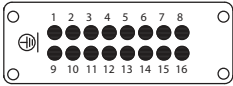
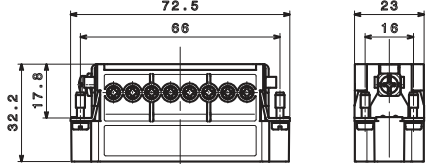
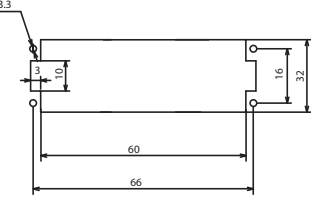
Technical characteristics	Caratteristiche tecniche
<p>Specifications: EN 61984, EN 60664-1 UL 1997 CSA, C22.2 No 182.3</p> <p>Approvals:  (UL, CSA)</p> <p>Number of contacts 3, 4 + </p> <p>Electrical data acc. to EN 61984</p> <p style="text-align: right;">10A 230V/400V 4kV 3</p>  <p>Or 10A 250 V 4 kV 3</p> <p>Current carrying capacity: Please refer to "Electrical engineering data" page 00.23 Over 22A depending on ambient temperature</p> <p>Working voltage acc. to UL/CSA 600V Insulation resistance $\geq 10^{10} \Omega$ Material Polycarbonate Limiting temperatures -40 °C ... +125 °C Flammability UL 94 V-0 - GWT 960° Mechanical working life ≥ 500 cycles</p> <p>Contacts: Material Copper alloy Surface: Hard-silver plated ard-gold plated</p> <p>Contact resistance $\leq 1 \text{ m} \Omega$ Wire size - mm² 0.5÷2.5 - AWG 20 - 14</p> <p>Tightening test torque 0,25 Nm Stripping length 6 mm</p> <p>For solid or stranded wires</p> <p>Recommended enclosures: See section 17</p> <p>Hood/Housings thermoplastic: Material Polyamide glass filled Locking element Polyamide glass filled Flammability UL94 V0 - GWT 960° Hoods/Housings seal NBR Limiting temperatures -40 °C ... +125 °C Degree of protection acc. to EN 60529 for coupled connector IP66/IP67 Thread Metric EN 50262 Pg DIN 40430</p> <p>Hoods/Housings metal: Type STD,HE,EMC,HP-HE,HP-EMC Material Die cast aluminium Surface Powder coated Locking element With metal lever or screws Hoods/Housings seal NBR Limiting temperatures -40 °C ... +125 °C Degree of protection acc. to EN 60529 for coupled connectors IP66/IP67 or IP68 (HP-HE) Thread Metric EN 50262 Pg DIN 40430</p> <p>Accessories, cable glands and tools: see sections 50,55 and 60</p> <p style="color: red; text-align: center;">According to EN61984 connectors should not be coupled and decoupled under electrical load.</p>	<p>Norme di riferimento: EN 61984, EN 60664-1 UL 1977 CSA, C22.2 No 182.3</p> <p>Approvazioni:  (UL, CSA)</p> <p>Numero dei contatti 3, 4 + </p> <p>Caratteristiche elettriche secondo EN 61984</p> <p style="text-align: right;">10A 230V/400V 4kV 3</p>  <p>Oppure 10A 250 V 4 kV 3</p> <p>Portata di corrente: Vedere pag. 00.23 "caratteristiche elettriche" Fino a 22A dipende dalla temperatura ambiente.</p> <p>Tensione nominale secondo UL/CSA 600V Resistenza di isolamento $\geq 10^{10} \Omega$ Materiale Polycarbonate Limiti di temperature -40 °C ... +125 °C Autoestinguenza UL 94 V-0 - GWT 960° Vita meccanica ≥ 500 cicli</p> <p>Contatti: Materiale Lega di rame Finitura: Argentati Dorati</p> <p>Resistenza di contatto $\leq 1 \text{ m} \Omega$ Dimensioni del filo - mm² 0.5÷2.5 - AWG 20 - 14</p> <p>Coppia di serraggio 0,25 Nm Lunghezza di spellatura 6 mm</p> <p>Per fili rigidi o flessibili</p> <p>Custodie suggerite: Vedere sezione 17</p> <p>Custodie in termoplastico: Materiale Poliammide+vetro Sistema di chiusura Poliammide+vetro Autoestinguenza UL 94 V0 - GWT 960° Guarnizioni NBR Limiti di temperature 40 °C ... +125 °C Grado di protezione secondo EN 60529 connettori accoppiati IP66/IP67 Filettature Metrica EN 50262 Pg DIN 40430</p> <p>Custodie metalliche: Tipo STD,HE,EMC,HP-HE,HP-EMC Materiale Fusione di alluminio Superficie Verniciatura a polvere Sistema di chiusura Con leva metallica o viti Guarnizione NBR Limiti di temperature -40 °C ... +125 °C Grado di protezione secondo EN 60529 connettori accoppiati IP66/IP67 o IP68 (HP-HE) Filettature Metrica EN 50262 Pg DIN 40430</p> <p>Accessori, pressacavi e attrezzi: vedi sezioni 50,55 e 60</p> <p style="color: red; text-align: center;">Secondo la norma EN61984 i connettori non devono essere connessi e sconnessi sotto carico</p>

Screw terminal inserts <i>Inserti con terminali a vite</i>	Hood/housing <i>Custodie</i>	Size 3A, 3 P + ⊕	UL/CSA : 600 V	Part No. <i>Codice</i>
<p>Female inserts Screw terminal Without wire protection For wire 0.5-2.5 mm² (20-14 AWG)</p> <p>Inserti femmina Terminale a vite Senza proteggi-filo Per filo sezione 0.5-2.5 mm² (20-14 AWG)</p>	<p>Size 21 x 21</p> <p>Grandezza 21 x 21</p>	   <p>UL US SF US CE RoHS</p>	<p>Grey <i>Grigio</i></p> <p>Black <i>Nero</i></p> <p>Grey <i>Grigio</i></p>	<p>7203.6001.0</p> <p>7203.6001.1</p> <p>Gold contact on request <i>Contatti dorati su richiesta</i></p> <p>7203.6001.4</p>
<p>Male inserts Screw terminal Without wire protection for wire 0.5-2.5 mm² (20-14 AWG) - By using 3A HP-HE and 3A HP-EMC hood/housing the gasket on the male insert has to be removed</p> <p>Inserti maschio Terminale a vite Senza proteggi-filo Per filo sezione 0.5-2.5 mm² (20-14 AWG) - Usando custodie 3A serie HP-HE e HP-EMC la guarnizione dell'inserto maschio deve essere rimossa</p>	<p>Size 21 x 21</p> <p>Grandezza 21 x 21</p>	   <p>UL US SF US CE RoHS</p>	<p>Grey <i>Grigio</i></p> <p>Black <i>Nero</i></p> <p>Grey <i>Grigio</i></p>	<p>7203.6101.0</p> <p>7203.6101.1</p> <p>Gold contact on request <i>Contatti dorati su richiesta</i></p> <p>7203.6101.4</p>
<p>Screw terminal inserts <i>Inserti con terminali a vite</i></p>	<p>Hood/housing <i>Custodie</i></p>	<p>Size 3A, 4p + ⊕</p>	<p>UL/CSA : 600 V</p>	<p>Part No. <i>Codice</i></p>
<p>Female inserts Screw terminal Without wire protection For wire 0.5-2.5 mm² (20-14 AWG)</p> <p>Inserti femmina Terminale a vite Senza proteggi-filo Per filo sezione 0.5-2.5 mm² (20-14 AWG)</p>	<p>Size 21 x 21</p> <p>Grandezza 21 x 21</p>	   <p>UL US SF US CE RoHS</p>	<p>Grey <i>Grigio</i></p> <p>Black <i>Nero</i></p> <p>Grey <i>Grigio</i></p>	<p>7204.6002.0</p> <p>7204.6002.1</p> <p>Gold contact on request <i>Contatti dorati su richiesta</i></p> <p>7204.6002.4</p>
<p>Male inserts Screw terminal Without wire protection for wire 0.5-2.5 mm² (20-14 AWG) - By using 3A HP-HE and 3A HP-EMC hood/housing the gasket on the male insert has to be removed</p> <p>Inserti maschio Terminale a vite Senza proteggi-filo Per filo sezione 0.5-2.5 mm² (20-14 AWG) - Usando custodie 3A serie HP-HE e HP-EMC la guarnizione dell'inserto maschio deve essere rimossa</p>	<p>Size 21 x 21</p> <p>Grandezza 21 x 21</p>	   <p>UL US SF US CE RoHS</p>	<p>Grey <i>Grigio</i></p> <p>Black <i>Nero</i></p> <p>Grey <i>Grigio</i></p>	<p>7204.6102.0</p> <p>7204.6102.1</p> <p>Gold contact on request <i>Contatti dorati su richiesta</i></p> <p>7204.6102.4</p>

Technical characteristics	Caratteristiche tecniche
<p>Specifications: EN 61984, EN 60664-1 UL 1977 CSA C22.2 No. 182.3 EUROMAP Recommendation</p>	<p>Norme di riferimento: EN 61984, EN 60664-1 UL 1977 CSA C22.2 num. 182.3 EUROMAP raccomandazioni</p>
<p>Approvals:</p> 	<p>Approvazioni:</p> 
<p>Number of contacts 10,16,32 (2x16) + ⊕</p>	<p>Numero dei contatti 10,16,32 (2x16) + ⊕</p>
<p>Electrical data acc. to EN 61984</p> 	<p>Caratteristiche elettriche secondo EN 61984</p> 
<p>Pollution degree 2 also 16 A 230/400V 4kV 2</p>	<p>Con grado di inquinamento 2 16 A 250/400V 4kV 2</p>
<p>Current carrying capacity: Please refer to "Electrical engineering data" page 00.23 Over 22A depending on ambient temperature</p>	<p>Portata di corrente: Vedere pag. 00.23 "caratteristiche elettriche" Fino a 22A dipende dalla temperatura ambiente.</p>
<p>Working voltage acc. to UL/CSA 600V Insulation resistance $\geq 10_{10} \Omega$ Material Polycarbonate Limiting temperatures - 40 °C ... + 125 °C Flammability acc. to UL 94 V 0 - GWT 960° Mechanical working life ≥ 500 cycles</p>	<p>Tensione nominale secondo UL/CSA 600V Resistenza di isolamento $\geq 10_{10} \Omega$ Materiale Policarbonato Limiti di temperature - 40 °C ... + 125 °C Autoestinguenza UL 94 V 0 - GWT 960° Vita meccanica ≥ 500 cicli</p>
<p>Contacts:</p>	<p>Contatti:</p>
<p>Material copper alloy Surface Silver plated Gold plated Contact resistance $\leq 1 m \Omega$ Crimp terminal, turned see page 01.10 - mm² 0.14÷4.0 - AWG 26 - 12 - Stripping length 7.5 mm Screw terminal - mm² 0,5 ÷ 4.0 mm² - AWG 20 ÷ 12 - Tightening torque 0.5 Nm - Stripping length 7.0 mm</p>	<p>Materiale Lega di rame Finitura: Argentati Dorati Resistenza di contatto $\leq 1 m \Omega$ Terminali a crimpare, torniti Ved. pag. 01.10 - mm² 0.14÷4.0 - AWG 26 - 12 - Lunghezza spellatura 7.5 mm Terminali a vite - mm² 0.5 ÷ 4.0 mm² - AWG 20 ÷ 12 - Coppia di serraggio 0.5 Nm - Lunghezza di spellatura 7.0 mm</p>
<p>For solid or stranded wires</p>	<p>Per fili rigidi o flessibili</p>
<p>Recommended enclosures: See section: 20</p>	<p>Custodie suggerite: Vedere sezione: 20</p>
<p>Type STD, HE, EMC</p>	<p>Tipo STD, HE, EMC</p>
<p>Material Die cast aluminium Surface Powder coated Locking elements With metal monoblock lever Hoods/Housings seal NBR Limiting temperatures -40 °C ... + 125 °C Degree of protection acc. to EN 60529 for coupled connectors IP66 Thread Metric - EN 50262 Pg - DIN 40430</p>	<p>Materiale Fusione di alluminio Superficie Verniciatura a polvere Dispositivo di chiusura Con leva metallica monoblocco Guarnizione NBR Limiti di temperature -40 °C ... + 125 °C Grado di protezione secondo EN 60529 connettori accoppiati IP66 Filettature Metrica - EN 50262 Pg - DIN 40430</p>
<p>According to EN61984 connectors should not be coupled and decoupled under electrical load.</p>	<p>Secondo la norma EN61984 i connettori non devono essere connessi e sconnessi sotto carico</p>

Screw terminal inserts <i>Inserti con terminali a vite</i>	Size 10A, 10p + ⊕	UL/CSA : 600 V	Type <i>Tipo</i>	Part No. <i>Codice</i>
<p>Female inserts <i>Inserti femmina</i></p>  <p>In accordance with Euromap Recommendation No.16 Secondo raccomandazioni Euromap No.16</p>  <p>Silver plated contacts with cross/slot screws <i>Contatti argentati con viti con impronta combi taglio/croce</i></p>	<p>Contact arrangement View from termination side <i>Disposizione contatti</i> <i>Vista lato terminazioni</i></p>    <p>Panel cut out for inserts For use without hood/housing <i>Foratura di alloggiamento inserti</i> <i>Per uso senza custodie</i></p>	<p>Screw terminals with wire protection Section: 0.5-2.5 mm² (20-14 AWG)</p> <p><i>Terminali a vite con proteggi-filo</i> <i>Per sezioni:</i> <i>0,5-2,5 mm²</i> <i>(20-14 AWG)</i></p>	<p>7210.4401.0</p>	
<p>Male inserts <i>Inserti maschio</i></p>  <p>In accordance with Euromap Recommendation No. 16 Secondo raccomandazioni Euromap No.16</p>  <p>Silver plated contacts with cross/slot screws <i>Contatti argentati con viti con impronta combi taglio/croce</i></p>	<p>Contact arrangement View from termination side <i>Disposizione contatti</i> <i>Vista lato terminazioni</i></p>    <p>Panel cut out for inserts For use without hood/housing <i>Foratura di alloggiamento inserti</i> <i>Per uso senza custodie</i></p>	<p>Screw terminals with wire protection Section: 0.5-2.5 mm² (20-14 AWG)</p> <p><i>Terminali a vite con proteggi-filo</i> <i>Per sezioni:</i> <i>0,5-2,5 mm²</i> <i>(20-14 AWG)</i></p>	<p>7210.4411.0</p>	
<p>Hood/housing size 10A «49x16» <i>Custodie grandezza 10A «49x16»</i></p>	<p>Dimensions in mm Part No. bold letters refer to standard availability. Normal letters refer to items on special request. <i>Dimensioni in mm I codici in grassetto indicano i prodotti di normale disponibilità. Il carattere normale indica i prodotti speciali su richiesta.</i></p>		<p>Accessories, cable glands and tools see sections 50, 55 e 60 <i>Accessori, pressacavi ed attrezzi vedere sezioni 50, 55 e 60</i></p>	



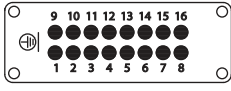
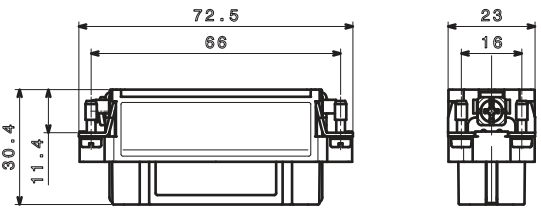
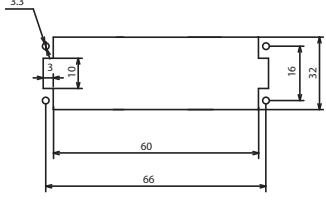


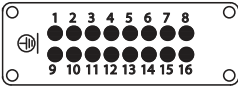
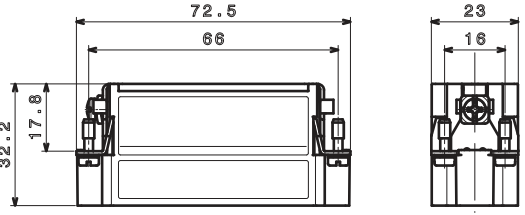
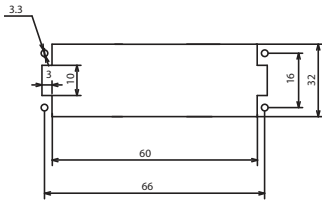
Inserts for crimp contacts <i>Inserti per contatti a crimpare</i>	Size 10A, 10p + ⚡ UL/CSA : 600 V	Part No. Codice
<p> Contact carrier for female contacts <i>Inserto porta contatti per contatti femmina</i> </p>  <p> In accordance with Euromap Recommendation No. 16 Secondo raccomandazioni Euromap No.16 </p>  <p> Female crimp contacts 16A, 10 pcs type S Please order contacts separately, page 01.10 </p> <p> <i>Contatti femmina a crimpare 16A, 10 pz. tipo S</i> <i>Contatti da ordinare separatamente, pag. 01.10</i> </p>	<p> Contact arrangement View from termination side <i>Disposizione contatti</i> Vista lato terminazioni </p>    <p> Panel cut out for inserts For use without hood/housing <i>Foratura di alloggiamento inserti</i> Per uso senza custodie </p>	<p>7210.4451.0</p>
<p> Contact carrier for male contacts <i>Inserto porta contatti per contatti maschio</i> </p>  <p> In accordance with Euromap Recommendation No. 16 Secondo raccomandazioni Euromap No.16 </p>  <p> Male crimp contacts 16A, 10 pcs type S Please order contacts separately, page 01.10 </p> <p> <i>Contatti maschio a crimpare 16A, 10 pz tipo S</i> <i>Contatti da ordinare separatamente, pag. 01.10</i> </p>	<p> Contact arrangement View from termination side <i>Disposizione contatti</i> Vista lato terminazioni </p>    <p> Panel cut out for inserts For use without hood/housing <i>Foratura di alloggiamento inserti</i> Per uso senza custodie </p>	<p>7210.4461.0</p>
<p> Hood/housing size 10A «49x16» Custodie grandezza 10A «49x16» </p>	<p> Dimensions in mm. Part No. bold letters refer to standard availability. Normal letters refer to items on special request. Dimensioni in mm. I codici in grassetto indicano i prodotti di normale disponibilità. Il carattere normale indica i prodotti speciali su richiesta. </p>	<p> Accessories, cable glands and tools see sections 50, 55 e 60 Accessori, pressacavi ed attrezzi vedere sezioni 50, 55 e 60 </p>


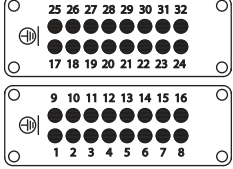
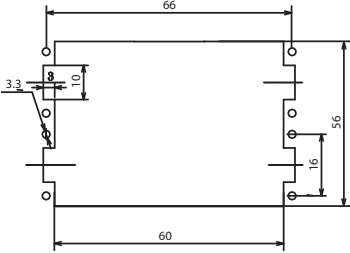

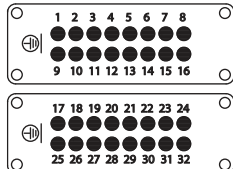
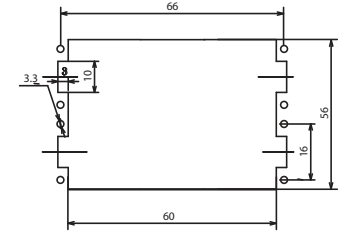
Screw terminal inserts <i>Inserti con terminali a vite</i>	Size 16A, 16p + ⚡	UL/CSA : 600 V	Type <i>Tipo</i>	Part No. <i>Codice</i>
<p>Female inserts <i>Inserti femmina</i></p>  <p>In accordance with Euromap Recommendation No. 12,13 and 14 <i>Secondo raccomandazioni Euromap No.12, 13 e 14</i></p>  <p>Silver plated contacts with cross/slot screws <i>Contatti argentati con viti con impronta combi taglio/croce</i></p>	<p>Contact arrangement View from termination side <i>Disposizione contatti</i> <i>Vista lato terminazioni</i></p>    <p>Panel cut out for inserts For use without hood/housing <i>Foratura di alloggiamento inserti</i> <i>Per uso senza custodie</i></p>	<p>Screw terminals with wire protection Section: 0.5-2.5 mm² (20-14 AWG)</p> <p><i>Terminali a vite con proteggi-filo</i> <i>Per sezioni: 0,5-2,5 mm² (20-14 AWG)</i></p>	<p>7216.4402.0</p>	
		<p>Screw terminals without wire protection 0.5-4 mm² (20-12 AWG) For bush terminals <i>Terminali a vite senza proteggi-filo</i> <i>Per sezioni 0,5-4 mm² (20-12 AWG)</i> <i>Per terminali a tubetto</i></p>	<p>7216.4402.1</p>	
<p>Male inserts <i>Inserti maschio</i></p>  <p>In accordance with Euromap Recommendation No. 12,13 and 14 <i>Secondo raccomandazioni Euromap No.12, 13 e 14</i></p>  <p>Silver plated contacts with cross/slot screws <i>Contatti argentati con viti con impronta combi taglio/croce</i></p>	<p>Contact arrangement View from termination side <i>Disposizione contatti</i> <i>Vista lato terminazioni</i></p>    <p>Panel cut out for inserts For use without hood/housing <i>Foratura di alloggiamento inserti</i> <i>Per uso senza custodie</i></p>	<p>Screw terminals with wire protection Section: 0.5-2.5 mm² (20-14 AWG)</p> <p><i>Terminali a vite con proteggi-filo</i> <i>Per sezioni: 0,5-2,5 mm² (20-14 AWG)</i></p>	<p>7216.4412.0</p>	
		<p>Screw terminals without wire protection 0.5-4 mm² (20-12 AWG) For bush terminals <i>Terminali a vite senza proteggi-filo</i> <i>Per sezioni 0,5-4 mm² (20-12 AWG)</i> <i>Per terminali a tubetto</i></p>	<p>7216.4412.1</p>	



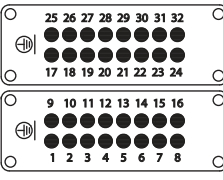
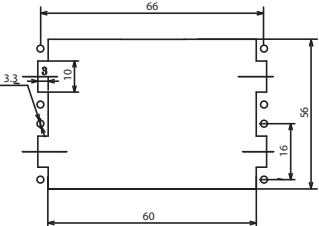


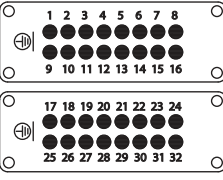
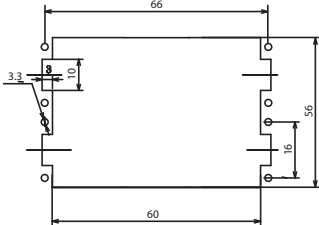
Hood/housing size 16A «66x16»
Custodie grandezza 16A «66x16»



Dimensions in mm Part No. bold letters refer to standard availability.
Normal letters refer to items on special request.
Dimensioni in mm I codici in grassetto indicano i prodotti di normale disponibilità. Il carattere normale indica i prodotti speciali su richiesta.

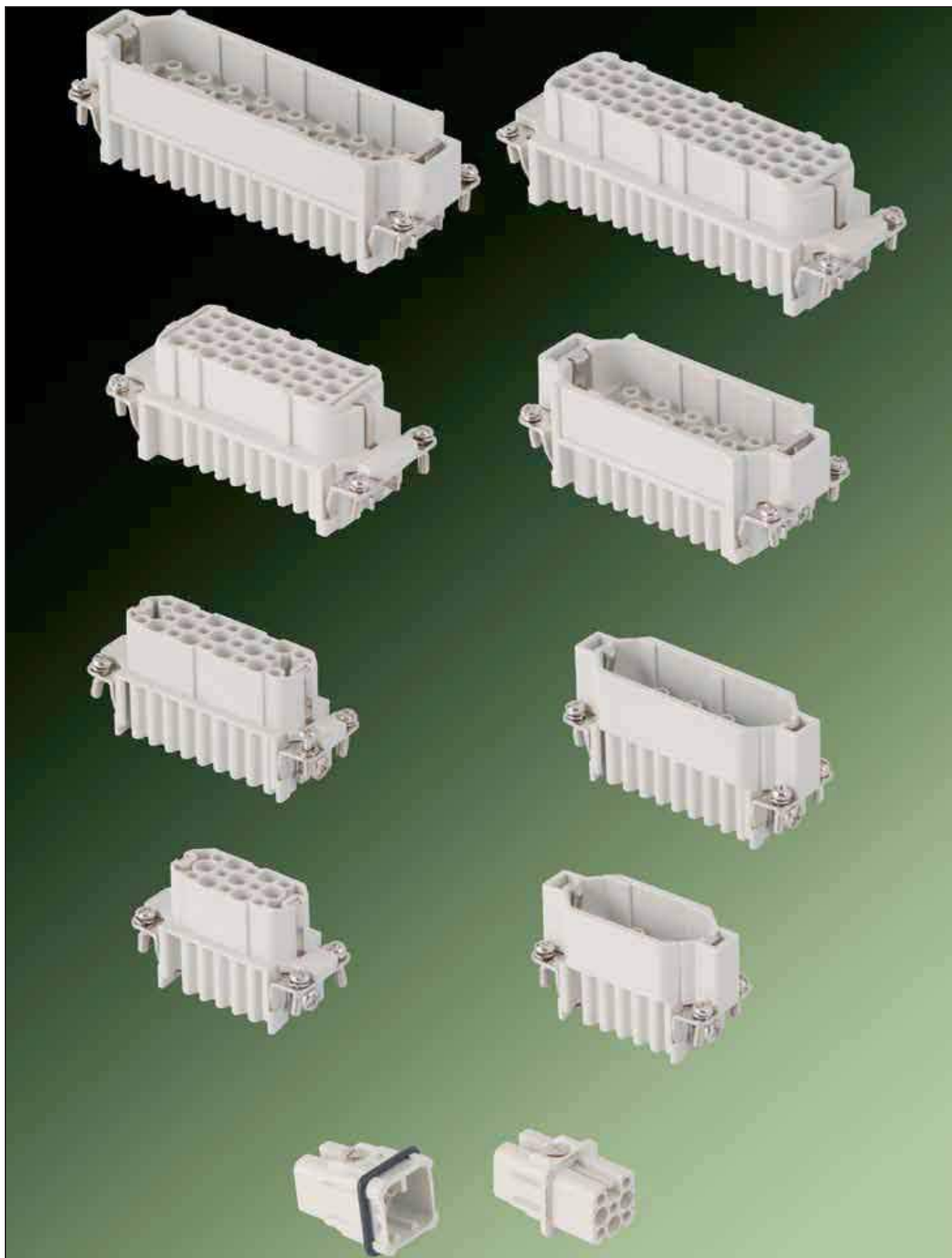
Accessories, cable glands and tools see sections 50, 55 e 60
Accessori, pressacavi ed attrezzi vedere sezioni 50, 55 e 60

Inserts for crimp contacts Inserti per contatti a crimpare	Size 16A, 16p + ⊕ UL/CSA : 600 V	Part No. Codice
<p> Contact carrier for female contacts Inserto porta contatti per contatti femmina </p>  <p> In accordance with Euromap Recommendation No. 12,13 and 14 Secondo raccomandazioni Euromap No.12, 13 e 14 </p>  <p> Female crimp contacts 16A, 16 pcs type S Please order contacts separately, page 01.10 </p> <p> Contatti femmina a crimpare 16A, 16 pz tipo S Contatti da ordinare separatamente, pag. 01.10 </p>	<p> Contact arrangement View from termination side Disposizione contatti Vista lato terminazioni </p>    <p> Panel cut out for inserts For use without hood/housing Foratura di alloggiamento inserti Per uso senza custodie </p>	<p>7216.4452.0</p>
<p> Contact carrier for male contacts Inserto porta contatti per contatti maschio </p>  <p> In accordance with Euromap Recommendation No. 12,13 and 14 Secondo raccomandazioni Euromap No.12, 13 e 14 </p>  <p> Male crimp contact 16A, 16 pcs S type Please order contacts separately, page 01.10 </p> <p> Contatti maschio a crimpare 16A, 16 pz tipo S Contatti da ordinare separatamente, pag. 01.10 </p>	<p> Contact arrangement View from termination side Disposizione contatti Vista lato terminazioni </p>    <p> Panel cut out for inserts For use without hood/housing Foratura di alloggiamento inserti Per uso senza custodie </p>	<p>7216.4462.0</p>
<p> Hood/housing size 16A «66x16» Custodie grandezza 16A «66x16» </p>	<p> Dimensions in mm. Part No. bold letters refer to standard availability. Normal letters refer to items on special request. Dimensioni in mm. I codici in grassetto indicano i prodotti di normale disponibilità. Il carattere normale indica i prodotti speciali su richiesta. </p>	<p> Accessories, cable glands and tools see sections 50, 55 e 60 Accessori, pressacavi ed attrezzi vedere sezioni 50, 55 e 60 </p>

Screw terminal inserts <i>Inserti con terminali a vite</i>	Size 32A, 32 (16x2) P + ⚡ UL/CSA : 600 V	Numbering <i>Numerazione</i>	Type <i>Tipo</i>	Part No. <i>Codice</i>
<p>Female inserts <i>Inserti femmina</i></p>  <p>UL CSA CE RoHS</p> <p>With female 1-16 and male 17-32 inserts in accordance with EUROMAP 12 Recommendation <i>Con inserti femmina 1-16 e maschio 17-32 secondo raccomandazioni EUROMAP 12</i></p> <p>Silver plated contacts with cross/slot screws <i>Contatti argentati con viti con impronta combi taglio/croce</i></p>	<p>Inserts dimensions see page 01.06 <i>Dimensioni degli inserti vedere pag.01.06</i></p>  <p>Contact arrangement View from termination side Disposizione contatti <i>Vista lato terminazioni</i></p>  <p>Panel cut out for inserts For use without hood/housing Foratura di alloggiamento inserti <i>Per uso senza custodie</i></p>	<p>1-16</p> <p>17-32</p>	<p>Screw terminals with wire protection Section: 2 0.5-2.5 mm (20-14 AWG)</p> <p><i>Terminali a vite con proteggi-filo</i> Per sezioni: 2 0.5-2.5 mm (20-14 AWG)</p>	<p>7216.4402.0</p> <p>7216.4403.0</p>
<p>Male inserts <i>Inserti maschio</i></p>  <p>UL CSA CE RoHS</p> <p>With male 1-16 and female 17-32 inserts in accordance with EUROMAP 12 Recommendation <i>Con inserti femmina 1-16 e maschio 17-32 secondo raccomandazioni EUROMAP 12</i></p> <p>Silver plated contacts with cross/slot screws <i>Contatti argentati con viti con impronta combi taglio/croce</i></p>	<p>Inserts dimensions see page 01.06 <i>Dimensioni degli inserti vedere pag.01.06</i></p>  <p>Contact arrangement View from termination side Disposizione contatti <i>Vista lato terminazioni</i></p>  <p>Panel cut out for inserts For use without hood/housing Foratura di alloggiamento inserti <i>Per uso senza custodie</i></p>	<p>1-16</p> <p>17-32</p>	<p>Screw terminals with wire protection Section: 2 0.5-2.5 mm (20-14 AWG)</p> <p><i>Terminali a vite con proteggi-filo</i> Per sezioni: 2 0.5-2.5 mm (20-14 AWG)</p>	<p>7216.4412.0</p> <p>7216.4413.0</p>
<p>Hood/housing size 32A «66x40» <i>Custodie grandezza 32A «66x40»</i></p>	<p>Dimensions in mm Part No. bold letters refer to standard availability. Normal letters refer to items on special request. Dimensioni in mm I codici in grassetto indicano i prodotti di normale disponibilità. Il carattere normale indica i prodotti speciali su richiesta.</p>		<p>Accessories, cable glands and tools see sections 50, 55 e 60 <i>Accessori, pressacavi ed attrezzi vedere sezioni 50, 55 e 60</i></p>	

Inserts for crimp contacts Inserti per contatti a crimpare	Size 32A, 32 (16x2) P + ⊕ UL/CSA : 600 V	Type Tipo	Part No. Codice
<p> Contact carriers for female contacts Inserti porta contatti per contatti femmina </p>  <p>  </p> <p> With female 1-16 and male 17-32 inserts in accordance with EUROMAP 12 Recommendation Con inserti femmina 1-16 e maschio 17-32 secondo raccomandazioni EUROMAP 12 Female crimp contacts 16A, 32 pcs type S Please order contacts separately, page 01.10 </p> <p> Contatti femmina a crimpare 16A, 32 pz tipo S Contatti da ordinare separatamente, pag. 01.10 </p>	<p> Inserts dimensions see page 01.07 Dimensioni degli inserti vedere pag.01.07 </p>  <p> Contact arrangement View from termination side Disposizione contatti Vista lato terminazioni </p>  <p> Panel cut out for inserts For use without hood/housing Foratura di alloggiamento inserti Per uso senza custodie </p>	<p>1-16</p> <p>17-32</p>	<p>7216.4452.0</p> <p>7216.4453.0</p>
<p> Contact carriers for male contacts Inserti porta contatti per contatti maschio </p>  <p>  </p> <p> With male 1-16 and female 17-32 inserts in accordance with EUROMAP 12 Recommendation Con inserti femmina 1-16 e maschio 17-32 secondo raccomandazioni EUROMAP 12 Male crimp contacts 16A, 32 pcs S type Please order contacts separately, page 01.10 </p> <p> Contatti maschio a crimpare 16A, 32 pz. tipo S Contatti da ordinare separatamente, pag. 01.10 </p>	<p> Inserts dimensions see page 01.07 Dimensioni degli inserti vedere pag.01.07 </p>  <p> Contact arrangement View from termination side Disposizione contatti Vista lato terminazioni </p>  <p> Panel cut out for inserts For use without hood/housing Foratura di alloggiamento inserti Per uso senza custodie </p>	<p>1-16</p> <p>17-32</p>	<p>7216.4462.0</p> <p>7216.4463.0</p>
<p> Hood/housing size 32A «66x40» Custodie grandezza 32A «66x40» </p>	<p> Dimensions in mm Part No. bold letters refer to standard availability. Normal letters refer to items on special request. Dimensioni in mm I codici in grassetto indicano i prodotti di normale disponibilità. Il carattere normale indica i prodotti speciali su richiesta. </p>	<p> Accessories, cable glands and tools see sections 50, 55 e 60 Accessori, pressacavi ed attrezzi vedere sezioni 50, 55 e 60 </p>	

Female crimp contacts, turned Contatti femmina a crimpare, torniti	No. of grooves Num. gole	Wire mm ² Filo mm ²	Wire gauge Calibro filo	Part No.- Codice		
				Silver plated Argentati	Gold plated Dorati	
 <p> - Material: Copper alloy Materiale: Lega di rame - Surface: Hard silver or hard gold Finitura: Argentati o dorati - Stripping length: 7,5 mm Lunghezza di spellatura: 7,5 mm - Identification: By grooves Identificazione: Tramite gole </p>	0	0.14 - 0.37	26-22 AWG	7300.6240.0	7300.6240.1	
	0	0.5	20 AWG	7300.6241.0	7300.6241.1	
	1	0.75	18 AWG	7300.6239.0	7300.6239.1	
	1	1.0	18 AWG	7300.6242.0	7300.6242.1	
	2	1.5	16 AWG	7300.6243.0	7300.6243.1	
	3	2.5	14 AWG	7300.6244.0	7300.6244.1	
	1 Wide	3.0	12 AWG	7300.6238.0	7300.6238.1	
	0	4.0	12 AWG	7300.6245.0	7300.6245.1	
	For the best performance and the lowest contact resistance, Molex recommends the use of manual tools, die sets and machines illustrated in the section 60 of this catalogue Per le migliori caratteristiche e la minima resistenza di contatto, si raccomanda l'utilizzo delle pinze manuali, gli applicatori e le macchine illustrate nella sezione 60 di questo catalogo					
	Male crimp contacts, turned Contatti maschio a crimpare, torniti	No. of grooves Num. gole	Wire mm ² Filo mm ²	Wire gauge Calibro filo	Part No.- Codice	
 <p> - Material: Copper alloy Materiale: Lega di rame - Surface: Hard silver or hard gold Finitura: Argentati o dorati - Stripping length: 7,5 mm Lunghezza di spellatura: 7,5 mm - Identification: By grooves Identificazione: Tramite gole </p>	0	0.14 - 0.37	26-22 AWG	7300.6237.0	7300.6237.1	
	0	0.5	20 AWG	7300.6246.0	7300.6246.1	
	1	0.75	18 AWG	7300.6236.0	7300.6236.1	
	1	1.0	18 AWG	7300.6247.0	7300.6247.1	
	2	1.5	16 AWG	7300.6248.0	7300.6248.1	
	3	2.5	14 AWG	7300.6249.0	7300.6249.1	
	1 Wide	3.0	12 AWG	7300.6235.0	7300.6235.1	
	0	4.0	12 AWG	7300.6250.0	7300.6250.1	
	For the best performance and the lowest contact resistance, Molex recommends the use of manual tools, die sets and machines illustrated in the section 60 of this catalogue Per le migliori caratteristiche e la minima resistenza di contatto, si raccomanda l'utilizzo delle pinze manuali, gli applicatori e le macchine illustrate nella sezione 60 di questo catalogo					
	For inserts: Per inserti: S-AC, S-EC, S-EE, S-EEE, S-EHV,S-Q, S-QD, S-M	Dimensions in mm Part No. bold letters refer to standard availability. Normal letters refer to items on special request. Dimensioni in mm I codici in grassetto indicano i prodotti di normale disponibilità. Il carattere normale indica i prodotti speciali su richiesta.			Crimping tools: see section 60 Attrezzi per crimpare: vedere sezione 60	



Application with higher voltage

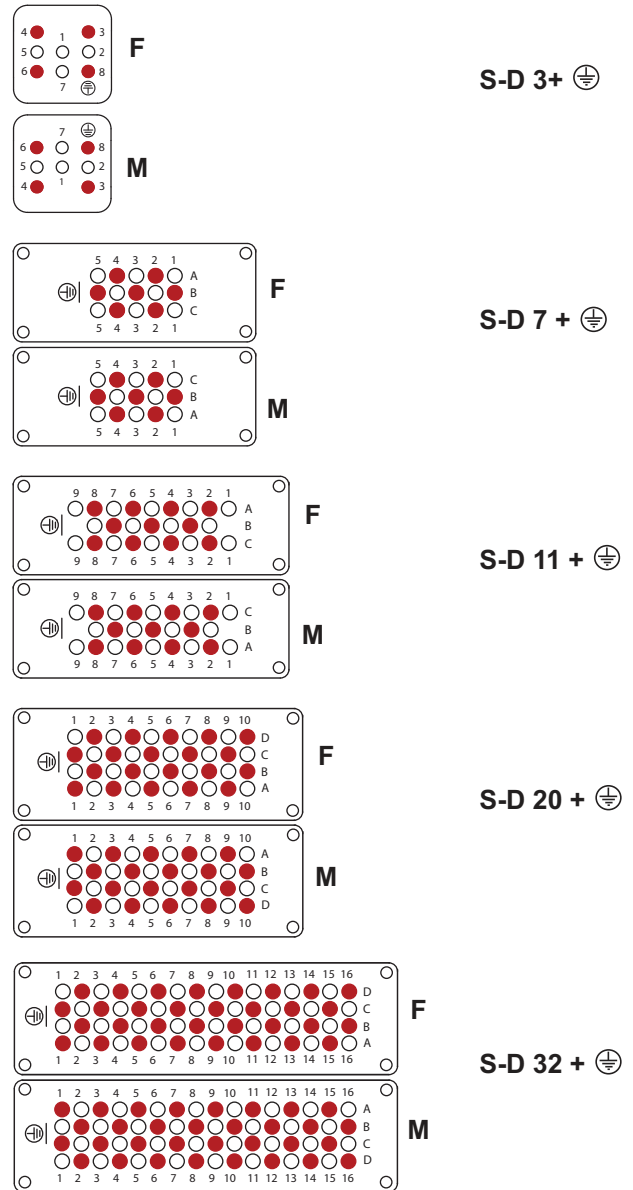
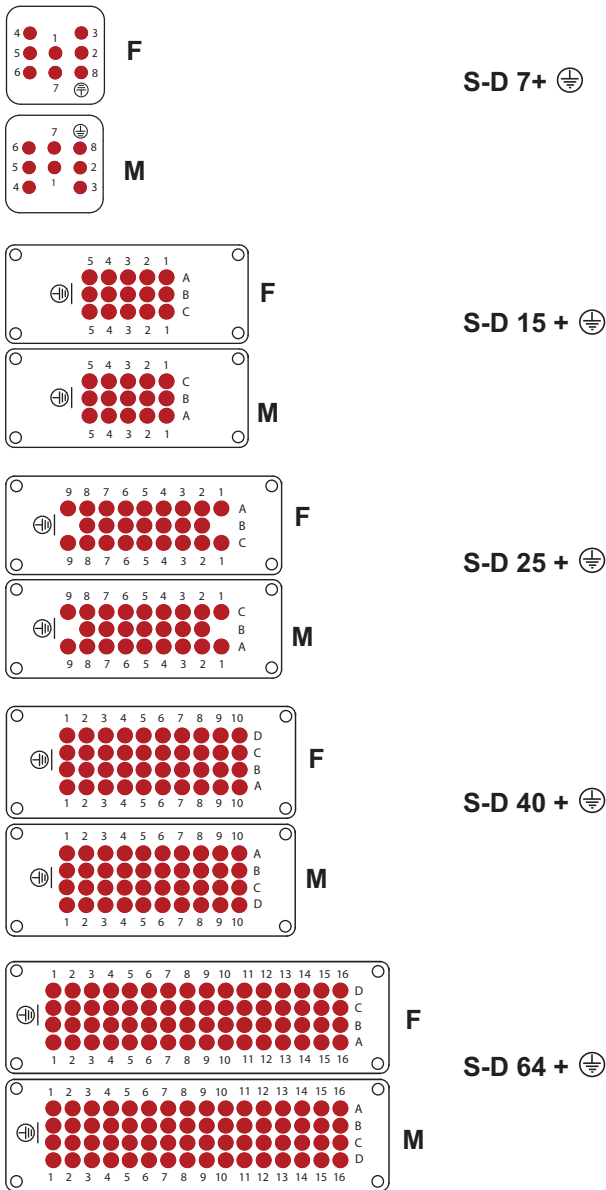
If all the contacts are used, the S-D series connectors may be used with voltages of up to 250V, pollution degree 3, in accordance with the standard EN 61984.
If the number of contacts is reduced and the contacts accordingly assigned, these connectors may be used with higher voltage. This is possible because the decrease in the number of contacts leads to an increase in the surface distance in the air. When the contacts are arranged as shown below, the inserts may be used for voltages of up to 500V, pollution degree 3, in accordance with standard EN 61984.

Applicazioni con tensioni maggiori

Se vengono inseriti tutti i contatti, i connettori della serie S-D possono essere utilizzati con tensioni fino a 250V, grado di inquinamento 3, in conformità con la norma EN 61984.
Se il numero dei contatti viene ridotto e gli stessi opportunamente disposti, possono essere utilizzati con tensioni maggiori. Questo risulta possibile perché il decremento del numero dei contatti produce un incremento della distanza fra essi. Quando i contatti sono disposti come mostrato qui sotto, gli inserti possono essere usati per tensioni fino a 500V, grado di inquinamento 3, in conformità con la norma EN 61984.





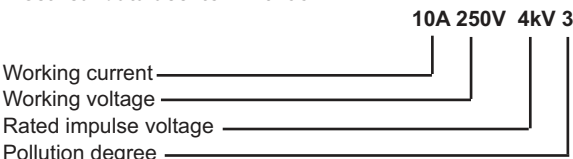
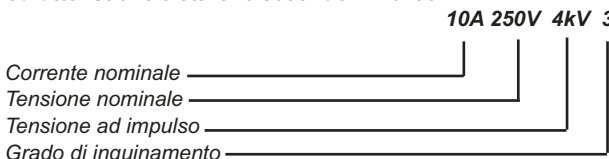
For applications up to 250V pollution degree 3
Per usi fino a 250V grado di inquinamento 3





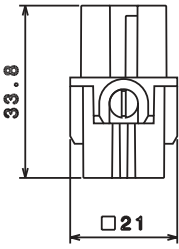





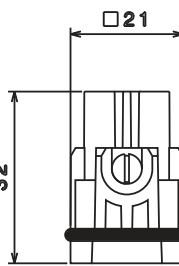
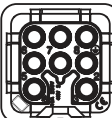
For applications up to 500V pollution degree 3
Per usi fino a 500V grado di inquinamento 3


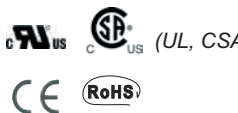


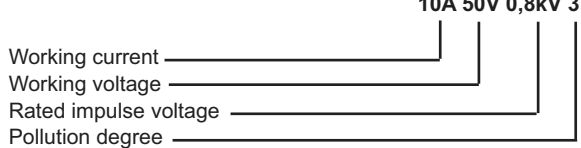
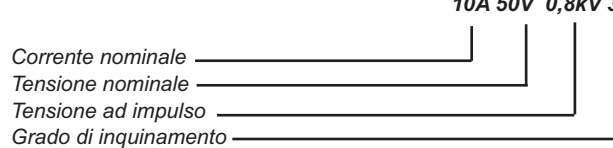




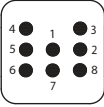

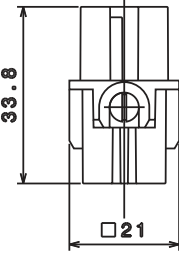



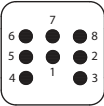

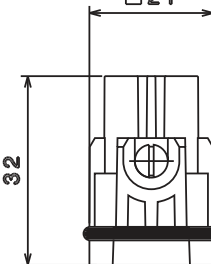
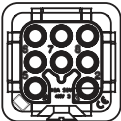
● Operating contacts / *Contatto operativo*
○ Without contact / *Senza contatto*
View from terminations side / *Vista lato terminazioni*







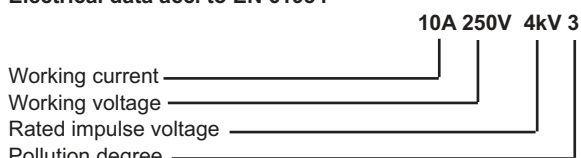
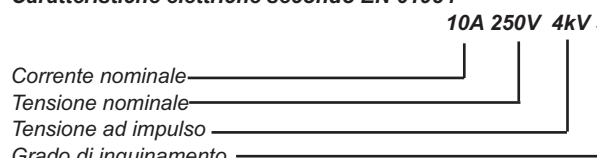
● Operating contacts / *Contatto operativo*
○ Without contact / *Senza contatto*
View from terminations side / *Vista lato terminazioni*



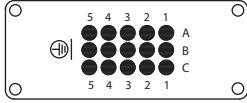
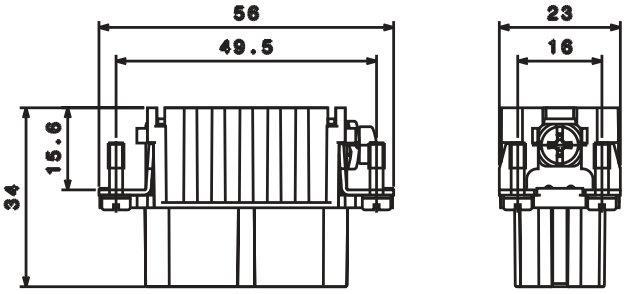
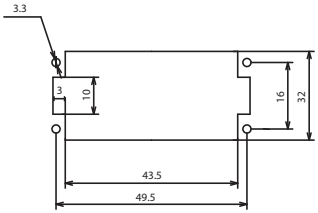


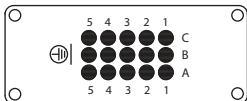
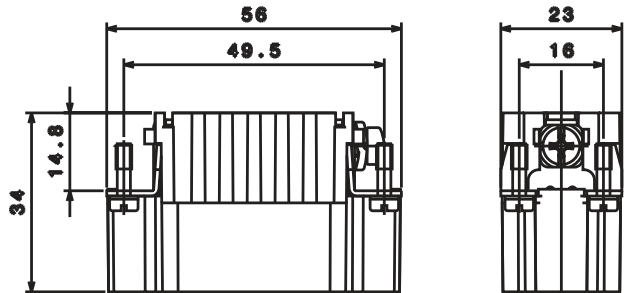
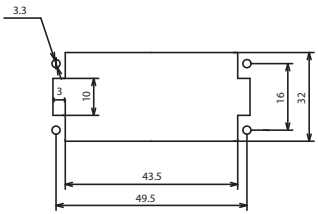
Technical characteristics	Caratteristiche tecniche
<p>Specifications: EN 61984, EN 60664-1 UL 1977 CSA C22.2 No. 182.3</p>	<p>Norme di riferimento: EN 61984, EN 60664-1 UL 1977 CSA C22.2 No. 182.3</p>
<p>Approvals:  (UL, CSA)</p>	<p>Approvazioni:  (UL, CSA)</p>
<p>Number of contacts 7 + </p>	<p>Numero dei contatti 7 + </p>
<p>Electrical data acc. to EN 61984</p>  <p>Pollution degree 2 also 10 A 230/400V 4kV 2</p>	<p>Caratteristiche elettriche secondo EN 61984</p>  <p>Con grado di inquinamento 2 10A 250/400V 4kV 2</p>
<p>Current carrying capacity: Please refer to "Electrical engineering data" page 00.24</p> <p>Working voltage acc. to UL/CSA 600V Insulation resistance $\geq 10^{10} \Omega$ Material Polycarbonate Limiting temperatures - 40 °C ... + 125 °C Flammability acc. to UL94 V-0 GWT 960° Mechanical working life ≥ 500 cycles</p>	<p>Portata di corrente: Vedere pag. 00.24 "Caratteristiche elettriche"</p> <p>Tensione nominale secondo UL/CSA 600V Resistenza di isolamento $\geq 10^{10} \Omega$ Materiale Policarbonato Limiti di temperatura - 40 °C ... + 125 °C Autoestinguenza UL94 V-0 GWT 960° Vita meccanica ≥ 500 cicli</p>
<p>Contacts: Turned or stamped See page 01.25/01.26</p> <p>Material : Copper alloy Surface: Silver plated Gold plated</p> <p>Contact resistance $\leq 3 m \Omega$ Crimp terminal - mm² 0.5+2.5 - AWG 20 - 14</p>	<p>Contatti: Torniti o stampati Ved. pag. 01.25/01.26</p> <p>Materiale: Lega di rame Finitura: Argentati Dorati</p> <p>Resistenza di contatto: $\leq 3 m \Omega$ Terminali a crimpare - mm² 0.5+2.5 - AWG 20 - 14</p>
<p>For solid or stranded wires</p>	<p>Per fili rigidi o flessibili</p>
<p>Recommended enclosures: See section 17</p>	<p>Custodie suggerite: Vedere sezioni 17</p>
<p>Hood/Housings insulated type:</p> <p>Material Polyamide glass filled Locking element Polyamide glass filled Flammability UL94 V0 - GWT 960° Hoods/Housings seal NBR Limiting temperatures -40 °C ... + 125 °C Degree of protection acc. to EN 60 529 for coupled connectors IP66/IP67 Thread Metric EN 50262 Pg DIN 40430</p>	<p>Custodie tipo isolato:</p> <p>Materiale Poliammide+vetro Sistema di chiusura Poliammide+vetro Autoestinguenza UL 94 V0 - GWT 960° Guarnizioni NBR Limiti di temperatura 40 °C ... + 125 °C Grado di protezione secondo EN 60529 connettori accoppiati IP66/IP67 Filettature Metrica EN 50262 Pg DIN 40430</p>
<p>Hood/Housings metal: Not recommended</p>	<p>Custodie in metallo: Non raccomandate</p>
<p>According to EN61984 connectors should not be coupled and decoupled under electrical load.</p>	<p>Secondo la norma EN61984 i connettori non devono essere connessi e sconnessi sotto carico</p>



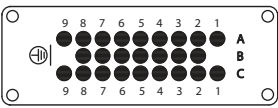
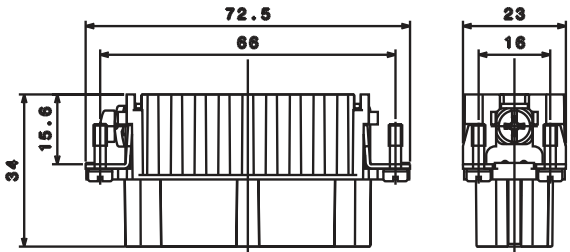
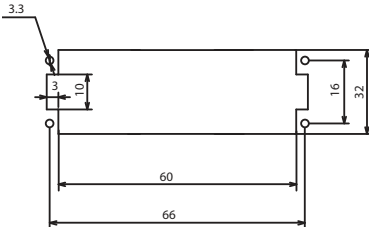


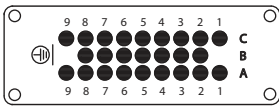
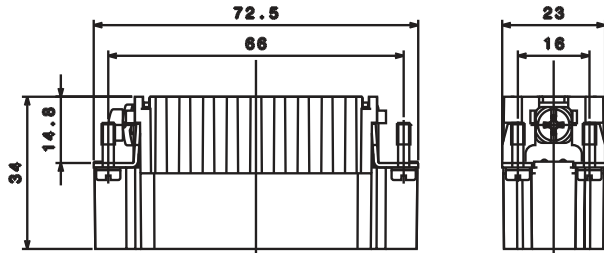
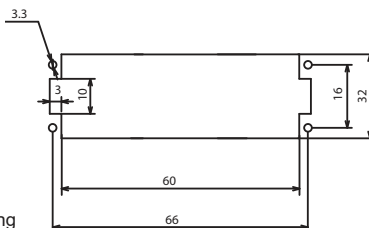
Inserts for crimp contacts Inserti per contatti a crimpare	Size 3A, 7 P + ⊕ UL/CSA : 600 V	Color Colore	Part No. Codice
<p> Contact carriers for female contacts turned or stamped Inserti porta contatti per contatti femmina torniti o stampati </p>  <p>  </p> <p> Female crimp contacts 10A, 8 pcs Please order separately, page 01.25, 01.26 </p> <p> Contatti femmina a crimpare 10A, 8 pz Da ordinare separatamente, pag. 01.25, 01.26 </p>	<p> Contact arrangement View from termination side Disposizione contatti Vista lato terminazioni </p>    	<p>Grey Grigio</p> <p>Black Nero</p>	<p>7107.4001.0</p> <p>7107.4001.1</p>
<p> Contact carriers for male contacts turned or stamped Inserti porta contatti per contatti maschio torniti o stampati </p>  <p>  </p> <p> Male crimp contacts 10A, 8 pcs Please order separately, page 01.25, 01.26 - By using 3A HP-HE and 3A HP-EMC hood/ housing the gasket on the male insert has to be removed. </p> <p> Contatti maschio a crimpare 10A, 8 pz Da ordinare separatamente, pag. 01.25, 01.26 - Usando custodie 3A serie HP-HE e HP-EMC la guarnizione dell'inserto maschio deve essere rimossa </p>	<p> Contact arrangement View from termination side Disposizione contatti Vista lato terminazioni </p>    	<p>Grey Grigio</p> <p>Black Nero</p>	<p>7107.4101.0</p> <p>7107.4101.1</p>
<p> Hood/housing size 3A «21x21» Custodie grandezza 3A «21x21» </p>	<p> Dimensions in mm Part No. bold letters refer to standard availability. Normal letters refer to items on special request. Dimensioni in mm I codici in grassetto indicano i prodotti di normale disponibilità. Il carattere normale indica i prodotti speciali su richiesta. </p>	<p> Accessories, cable glands and tools see sections 50, 55 e 60 Accessori, pressacavi ed attrezzi vedere sezioni 50, 55 e 60 </p>	



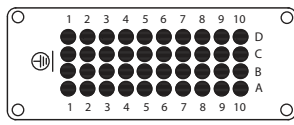
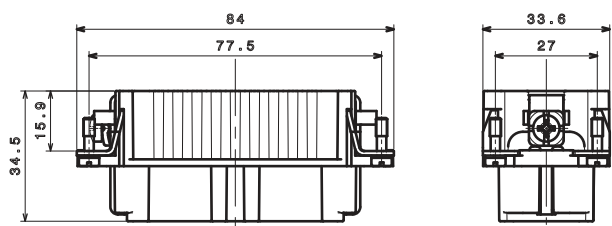
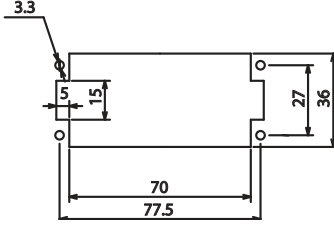


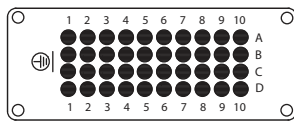
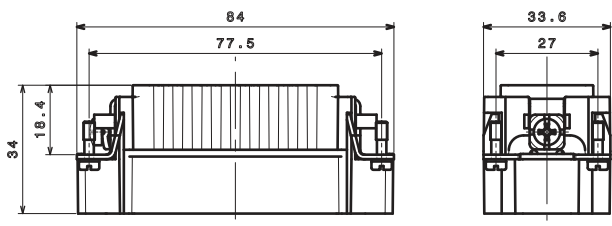
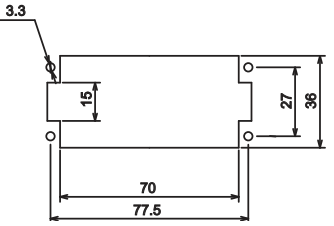
Technical characteristics	Caratteristiche tecniche
<p>Specifications: EN 61984, EN 60664-1 UL 1977 CSA C22.2 No. 182.3</p>	<p>Norme di riferimento: EN 61984, EN 60664-1 UL 1977 CSA C22.2 No. 182.3</p>
<p>Approvals:  (UL, CSA)</p>	<p>Approvazioni:  (UL, CSA)</p>
<p>Number of contacts 8 without </p>	<p>Numero dei contatti 8 senza </p>
<p>Electrical data acc. to EN 61984</p> <p style="text-align: right;">10A 50V 0,8kV 3</p> 	<p>Caratteristiche elettriche secondo EN 61984</p> <p style="text-align: right;">10A 50V 0,8kV 3</p> 
<p>Current carrying capacity: Please refer to "Electrical engineering data" page 00.24.</p> <p>Working voltage acc. to UL/CSA 50V Insulation resistance $\geq 10^{10} \Omega$ Material Polycarbonate Limiting temperatures - 40 °C ... + 125 °C Flammability acc. to UL94 V0 - GWT 960° Mechanical working life ≥ 500 cycles</p>	<p>Portata di corrente: Vedere pag. 00.24 "Caratteristiche elettriche"</p> <p>Tensione nominale secondo UL/CSA 50V Resistenza di isolamento $\geq 10^{10} \Omega$ Materiale Policarbonato Limiti di temperatura - 40 °C ... + 125 °C Autoestinguenza UL 94 V0 - GWT 960° Vita meccanica ≥ 500 cicli</p>
<p>Contacts: Turned or stamped see page 01.25/01.26</p> <p>Material copper alloy Surface Silver plated Gold plated</p> <p>Contact resistance $\leq 3 \text{ m} \Omega$ Crimp terminal - mm² 0.14÷2.5 - AWG 26 - 14</p>	<p>Contatti: Torniti o stampati ved. pag. 01.25/01.26</p> <p>Materiale Lega di rame Finitura: Argentati Dorati</p> <p>Resistenza di contatto $\leq 3 \text{ m} \Omega$ Terminali a crimpare - mm² 0.14÷2.5 - AWG 26 - 14</p>
<p>For solid or stranded wires</p>	<p>Per fili rigidi o flessibili</p>
<p>Recommended enclosures: Please see section 17</p>	<p>Custodie suggerite: Vedere sezione 17</p>
<p>Hood/Housings insulated type:</p> <p>Material Polyamide glass filled Locking element Polyamide glass filled Flammability UL94 V0 - GWT 960° Hoods/Housings seal NBR Limiting temperatures -40 °C ... + 125 °C Degree of protection acc. to EN 60 529 for coupled connector IP66/IP67 Thread Metric EN 50262 Pg DIN 40430</p>	<p>Custodie tipo isolato:</p> <p>Materiale Poliammide+vetro Sistema di chiusura Poliammide+vetro Autoestinguenza UL 94 V0 - GWT 960° Guarnizioni NBR Limiti di temperatura -40 °C ... + 125 °C Grado di protezione secondo EN 60529 connettori accoppiati IP66/IP67 Filettature Metrica EN 50262 Pg DIN 40430</p>
<p>Hoods/Housings metal:</p> <p>Type STD,HE,EMC,HP-HE,HP-EMC</p> <p>Material Die cast aluminium Surface Powder coated Locking element With metal lever or screw Hoods/Housings seal NBR Limiting temperatures -40 °C ... + 125 °C Degree of protection acc. to EN 60529 for coupled connectors IP66/IP67 or IP68 (HP-HE) Thread Metric EN 50262 Pg DIN 40430</p>	<p>Custodie metalliche:</p> <p>Tipo STD,HE,EMC,HP-HE,HP-EMC</p> <p>Materiale Fusione di alluminio Superficie Verniciatura a polvere Sistema di chiusura Con leva metallica o viti Guarnizione NBR Limiti di temperatura -40 °C ... + 125 °C Grado di protezione secondo EN 60529 connettori accoppiati IP66/IP67 o IP68 (HP-HE) Filettature Metrica EN 50262 Pg DIN 40430</p>
<p>According to EN61984 connectors should not be coupled and decoupled under electrical load.</p>	<p>Secondo la norma EN61984 i connettori non devono essere connessi e sconnessi sotto carico</p>



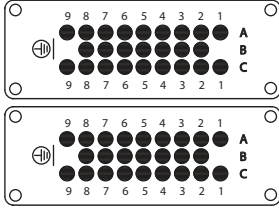
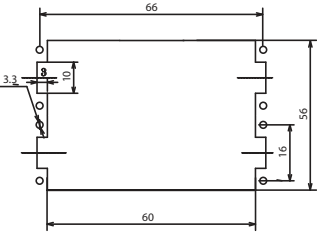


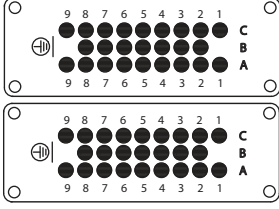
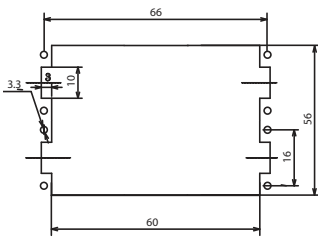
Inserts for crimp contacts Inserti per contatti a crimpare	Size 3A, 8p	UL/CSA : 50 V	Part No. Codice
<p> Contact carrier for female contacts turned or stamped Inserto porta contatti per contatti femmina torniti o stampati </p>  <p> In accordance with Euromap Recommendation No. 16 Secondo raccomandazioni Euromap No.16 </p>  <p> Female crimp contacts 10A, 8 pcs. Please order separately, page 01.25, 01.26 </p> <p> Contatti femmina a crimpare 10A, 8 pz Da ordinare separatamente, pag. 01.25, 01.26 </p>	<p> Contact arrangement View from termination side Disposizione contatti Vista lato terminazioni </p>    		<p>7108.4002.0</p>
<p> Contact carrier for male contacts turned or stamped Inserto porta contatti per contatti maschio torniti o stampati </p>  <p> In accordance with Euromap Recommendation No. 16 Secondo raccomandazioni Euromap No.16 </p>  <p> Male crimp contacts 10A, 8 pcs Please order separately, page 01.25, 01.26 - By using 3A HP-HE and 3A HP-EMC hood/ housing the gasket on the male insert has to be removed. </p> <p> Contatti maschio a crimpare 10A, 8 pz Da ordinare separatamente, pag. 01.25, 01.26 - Usando custodie 3A serie HP-HE e HP-EMC la guarnizione dell'inserto maschio deve essere rimossa </p>	<p> Contact arrangement View from termination side Disposizione contatti Vista lato terminazioni </p>    		<p>7108.4102.0</p>
<p> Hood/housing size 3A «21x21» Custodie grandezza 3A «21x21» </p>	<p> Dimensions in mm Part No. bold letters refer to standard availability. Normal letters refer to items on special request. Dimensioni in mm I codici in grassetto indicano i prodotti di normale disponibilità. Il carattere normale indica i prodotti speciali su richiesta. </p>	<p> Accessories, cable glands and tools see sections 50, 55 e 60 Accessori, pressacavi ed attrezzi vedere sezioni 50, 55 e 60 </p>	



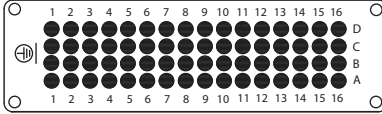
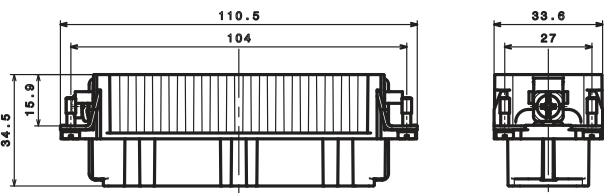
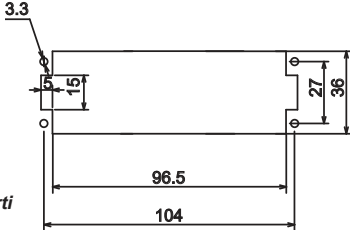


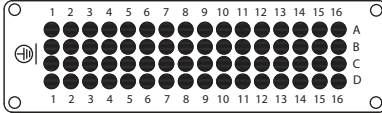
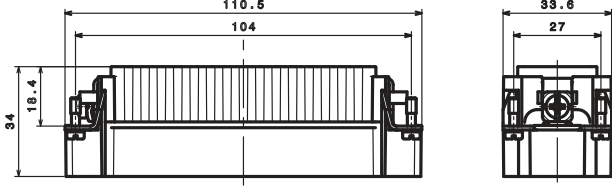
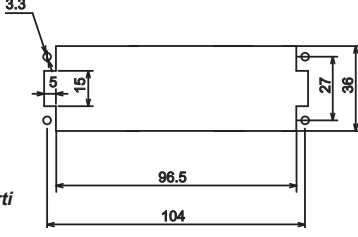
Technical characteristics	Caratteristiche tecniche
<p>Specifications: EN 61984, EN 60664-1 EN 175301 - 801 UL 1977 CSA C22.2 No. 182.3</p>	<p>Norme di riferimento: EN 61984, EN 60664-1 EN 175301 - 801 UL 1977 CSA C22.2 num. 182.3</p>
<p>Approvals:  (UL, CSA)</p>	<p>Approvazioni:  (UL, CSA)</p>
<p>Number of contacts  15,25,40,50(25x2), 64, 80(40x2), 128(64x2) + </p>	<p>Numero dei contatti  15,25,40,50(25x2), 64, 80(40x2), 128(64x2) + </p>
<p>Electrical data acc. to EN 61984</p> 	<p>Caratteristiche elettriche secondo EN 61984</p> 
<p>Pollution degree 2 also 10A 230/400V 4kV 2</p>	<p>Con grado di inquinamento 2 10A 250/400V 4kV 2</p>
<p>Current carrying capacity: Please refer to "Electrical engineering data" pages 00.24, 00.25, 00.26.</p>	<p>Portata di corrente: Vedere pagine 00.24, 00.25, 00.26 "Caratteristiche elettriche"</p>
<p>Working voltage acc. to UL/CSA 600V Insulation resistance $\geq 10^{10} \Omega$ Material Polycarbonate Limiting temperatures - 40 °C ... + 125 °C Flammability acc. to V-0 Mechanical working life ≥ 500 cycles</p>	<p>Tensione nominale secondo UL/CSA 600V Resistenza di isolamento $\geq 10^{10} \Omega$ Materiale Policarbonato Limiti di temperature - 40 °C ... + 125 °C Autoestinguenza V-0 Vita meccanica ≥ 500 cicli</p>
<p>Contacts: Turned or stamped see page 01.25/01.26</p>	<p>Contatti: Torniti o stampati ved. pag. 01.25/01.26</p>
<p>Material copper alloy Surface Silver plated Gold plated Contact resistance $\leq 3 \text{ m} \Omega$ Crimp terminal - mm² 0.14÷2,5 - AWG 26 - 14</p>	<p>Materiale Lega di rame Finitura: Argentati Dorati Resistenza di contatto $\leq 3 \text{ m} \Omega$ Terminali a crimpare - mm² 0.14÷2,5 - AWG 26 - 14</p>
<p>For solid or stranded wires</p>	<p>Per fili rigidi o flessibili</p>
<p>Recommended enclosures: Section: 20,21,22,23,24,25,26,27,30</p>	<p>Custodie suggerite: Sezioni: 20,21,22,23,24,25,26,27,30</p>
<p>Type STD, HE, EMC, HP-HE</p>	<p>Tipo STD, HE, EMC, HP-HE</p>
<p>Material Die cast aluminium Surface Powder coated Locking element With metal lever or screws Hoods/Housings seal NBR Limiting temperatures -40 °C ... + 125 °C Degree of protection acc. to EN 60529 for coupled connectors IP66 or IP68 (HP-HE) Thread Metric - EN 50262 Pg - DIN 40430</p>	<p>Materiale Fusione di alluminio Superficie Verniciatura a polvere Sistema di chiusura Con leva metallica o viti Guarnizione NBR Limiti di temperature -40 °C ... + 125 °C Grado di protezione secondo EN 60529 connettori accoppiati IP66 o IP68 (HP-HE) Filettature Metrica - EN 50262 Pg - DIN 40430</p>
<p>According to EN61984 connectors should not be coupled and decoupled under electrical load.</p>	<p>Secondo la norma EN61984 i connettori non devono essere connessi e sconnessi sotto carico</p>



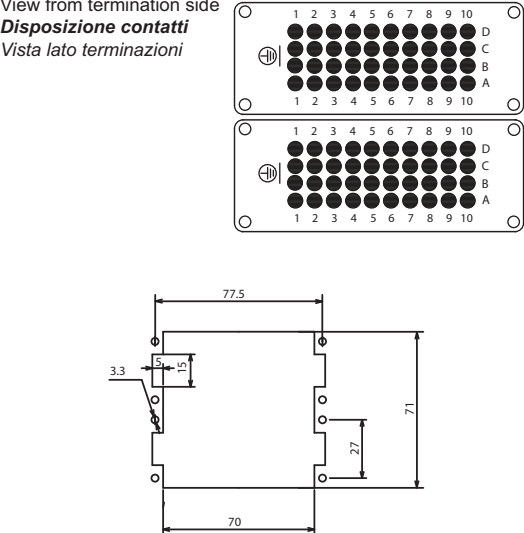


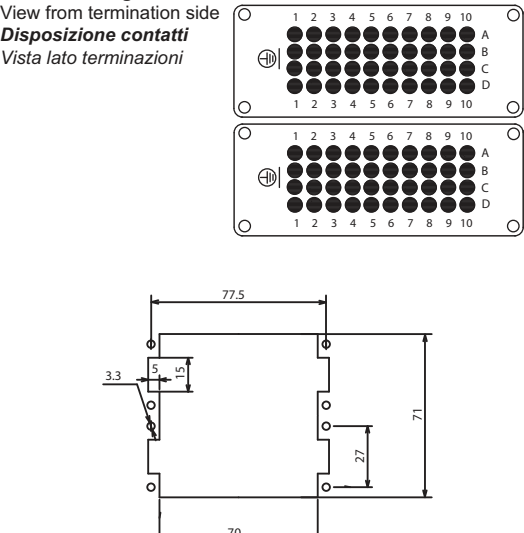
Inserts for crimp contacts Inserti per contatti a crimpare	Size 10A, 15 P + ⊕ UL/CSA : 600 V	Part No. Codice
<p> Contact carrier for female contacts turned or stamped Inserto porta contatti per contatti femmina torniti o stampati </p>  <p>  </p> <p> Female crimp contacts 10A, 15 pcs Please order separately, page 01.25, 01.26 </p> <p> Contatti femmina a crimpare 10A, 15 pz Da ordinare separatamente, pag. 01.25, 01.26 </p>	<p> Contact arrangement View from termination side Disposizione contatti Vista lato terminazioni </p>    <p> Panel cut out for inserts For use without hood/housing Foratura di alloggiamento inserti Per uso senza custodie </p>	<p>7115.4006.0</p>
<p> Contact carrier for male contacts turned or stamped Inserto porta contatti per contatti maschio torniti o stampati </p>  <p>  </p> <p> Male crimp contacts 10A, 15 pcs Please order separately, page 01.25, 01.26 </p> <p> Contatti maschio a crimpare 10A, 15 pz Da ordinare separatamente, pag. 01.25, 01.26 </p>	<p> Contact arrangement View from termination side Disposizione contatti Vista lato terminazioni </p>    <p> Panel cut out for inserts For use without hood/housing Foratura di alloggiamento inserti Per uso senza custodie </p>	<p>7115.4106.0</p>
<p> Hood/housing size 10A «49x16» Custodie grandezza 10A «49x16» </p>	<p> Dimensions in mm Part No. bold letters refer to standard availability. Normal letters refer to items on special request. Dimensioni in mm I codici in grassetto indicano i prodotti di normale disponibilità. Il carattere normale indica i prodotti speciali su richiesta. </p>	<p> Accessories, cable glands and tools see sections 50, 55 e 60 Accessori, pressacavi ed attrezzi vedere sezioni 50, 55 e 60 </p>



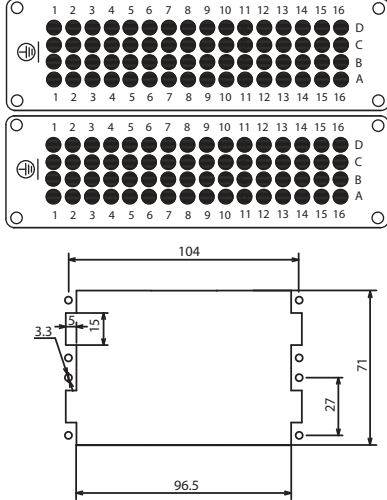


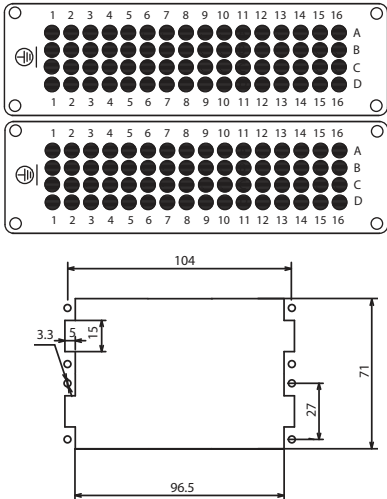
Inserts for crimp contacts <i>Inserti per contatti a crimpare</i>	Size 16A, 25 P + ⊕ UL/CSA : 600 V	Part No. Codice
<p> Contact carrier for female contacts turned or stamped <i>Inserto porta contatti per contatti femmina torniti o stampati</i> </p>  <p> In accordance with Euromap Recommendation No. 67, 67.1 and 71 Secondo raccomandazioni Euromap No. 67, 67.1 e 71 </p>  <p> Female crimp contacts 10A, 25 pcs Please order separately, page 01.25, 01.26 </p> <p> <i>Contatti femmina a crimpare 10A, 25 pz Da ordinare separatamente, pag. 01.25, 01.26</i> </p>	<p> Contact arrangement View from termination side <i>Disposizione contatti Vista lato terminazioni</i> </p>    <p> Panel cut out for inserts For use without hood/housing <i>Foratura di alloggiamento inserti Per uso senza custodie</i> </p>	<p>7125.4012.0</p> <p>7125.4012.3 With "Z" mark Con marchio "Z"</p>
<p> Contact carrier for male contacts turned or stamped <i>Inserto porta contatti per contatti maschio torniti o stampati</i> </p>  <p> In accordance with Euromap Recommendation No. 67, 67.1 and 71 Secondo raccomandazioni Euromap No. 67, 67.1 e 71 </p>  <p> Male crimp contacts 10A, 25 pcs Please order separately, page 01.25, 01.26 </p> <p> <i>Contatti maschio a crimpare 10A, 25 pz Da ordinare separatamente, pag. 01.25, 01.26</i> </p>	<p> Contact arrangement View from termination side <i>Disposizione contatti Vista lato terminazioni</i> </p>    <p> Panel cut out for inserts For use without hood/housing <i>Foratura di alloggiamento inserti Per uso senza custodie</i> </p>	<p>7125.4112.0</p> <p>7125.4112.3 With "Z" mark Con marchio "Z"</p>
<p> Hood/housing size 16A «66x16» Custodie grandezza 16A «66x16» </p>	<p> Dimensions in mm Part No. bold letters refer to standard availability. Normal letters refer to items on special request. Dimensioni in mm I codici in grassetto indicano i prodotti di normale disponibilità. Il carattere normale indica i prodotti speciali su richiesta. </p>	<p> Accessories, cable glands and tools see sections 50, 55 e 60 Accessori, pressacavi ed attrezzi vedere sezioni 50, 55 e 60 </p>


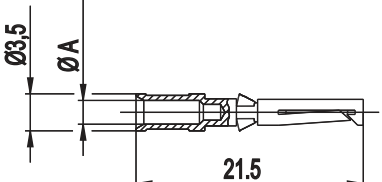

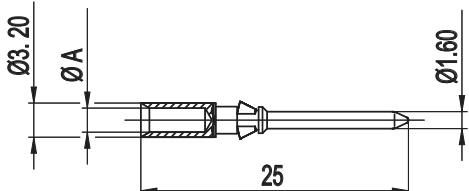
Inserts for crimp contacts Inserti per contatti a crimpare	Size 16B, 40 P + Ⓢ UL/CSA : 600 V	Part No. Codice
<p> Contact carrier for female contacts turned or stamped Inserto porta contatti per contatti femmina torniti o stampati </p>  <p>  </p> <p> Female crimp contacts 10A, 40 pcs Please order separately, page 01.25, 01.26 </p> <p> Contatti femmina a crimpare 10A, 40 pz Da ordinare separatamente, pag. 01.25, 01.26 </p>	<p> Contact arrangement View from termination side Disposizione contatti Vista lato terminazioni </p>    <p> Panel cut out for inserts For use without hood/housing Foratura di alloggiamento inserti Per uso senza custodie </p>	<p>7140.4018.0</p>
<p> Contact carrier for male contacts turned or stamped Inserto porta contatti per contatti maschio torniti o stampati </p>  <p>  </p> <p> Male crimp contacts 10A, 40 pcs Please order separately, page 01.25, 01.26 </p> <p> Contatti maschio a crimpare 10A, 40 pz Da ordinare separatamente, pag. 01.25, 01.26 </p>	<p> Contact arrangement View from termination side Disposizione contatti Vista lato terminazioni </p>    <p> Panel cut out for inserts For use without hood/housing Foratura di alloggiamento inserti Per uso senza custodie </p>	<p>7140.4118.0</p>
<p> Hood/housing size 16B «77x27» Custodie grandezza 16B «77x27» </p>	<p> Dimensions in mm Part No. bold letters refer to standard availability. Normal letters refer to items on special request. Dimensioni in mm I codici in grassetto indicano i prodotti di normale disponibilità. Il carattere normale indica i prodotti speciali su richiesta. </p>	<p> Accessories, cable glands and tools see sections 50, 55 e 60 Accessori, pressacavi ed attrezzi vedere sezioni 50, 55 e 60 </p>

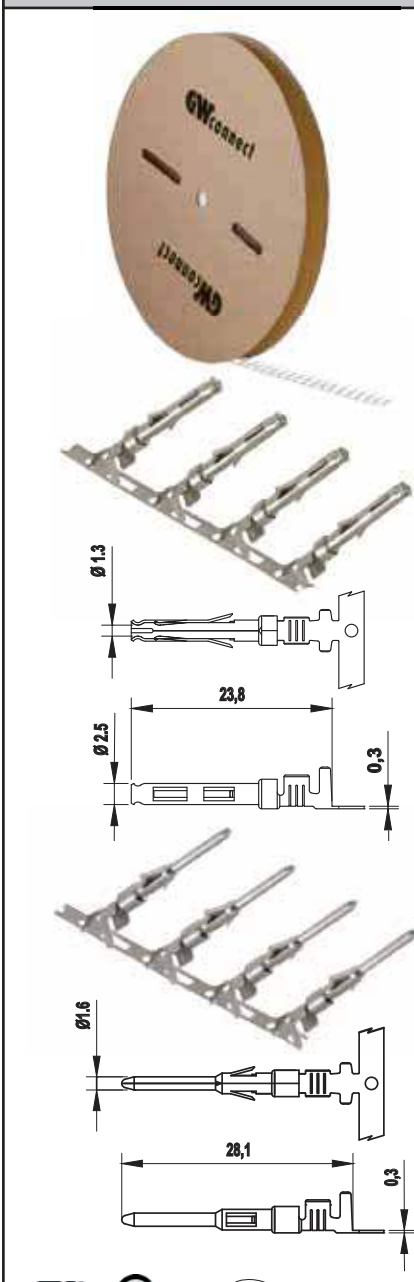
Inserts for crimp contacts Inserti per contatti a crimpare	Size 32A, 50 (25x2) P + ⊕ UL/CSA : 600 V	Quantity Quantità	Part No. Codice
<p>Contact carriers for female contacts turned or stamped Inserti porta contatti per contatti femmina torniti o stampati</p>  <p>In accordance with Euromap Recommendation No. 67, 67.1 and 71 Secondo raccomandazioni Euromap No. 67, 67.1 e 71</p>  <p>Female crimp contacts 10A, 50 pcs Please order separately, page 01.25, 01.26</p> <p>Contatti femmina a crimpare 10A, 50 pz Da ordinare separatamente, pag. 01.25, 01.26</p>	<p>Inserts dimensions see page 01.19 Dimensioni degli inserti vedere pag. 01.19</p> <p>Contact arrangement View from termination side Disposizione contatti Vista lato terminazioni</p>   <p>Panel cut out for inserts For use without hood/housing Foratura di alloggiamento inserti Per uso senza custodie</p>	<p>x 2</p>	<p>7125.4012.0 or 7125.4012.0 7125.4012.3</p> <p>With "Z" mark Con marchio "Z" In accordance with EUROMAP 67, 67.1 and 71 Recommendations</p> <p>Remark: 2 inserts are required per hood/housing</p> <p>Attenzione: sono necessari 2 inserti per custodia</p>
<p>Contact carriers for male contacts turned or stamped Inserti porta contatti per contatti maschio torniti o stampati</p>  <p>In accordance with Euromap Recommendation No. 67, 67.1 and 71 Secondo raccomandazioni Euromap No. 67, 67.1 e 71</p>  <p>Male crimp contacts 10A, 50 pcs Please order separately, page 01.25, 01.26</p> <p>Contatti maschio a crimpare 10A, 50 pz Da ordinare separatamente, pag. 01.25, 01.26</p>	<p>Inserts dimensions see page 01.19 Dimensioni degli inserti vedere pag. 01.19</p> <p>Contact arrangement View from termination side Disposizione contatti Vista lato terminazioni</p>   <p>Panel cut out for inserts For use without hood/housing Foratura di alloggiamento inserti Per uso senza custodie</p>	<p>x 2</p>	<p>7125.4112.0 or 7125.4112.0 7125.4112.3</p> <p>With "Z" mark Con marchio "Z" In accordance with EUROMAP 67, 67.1 and 71 Recommendations</p> <p>Remark: 2 inserts are required per hood/housing</p> <p>Attenzione: sono necessari 2 inserti per custodia</p>
<p>Hood/housing size 32A «66x40» Custodie grandezza 32A «66x40»</p>	<p>Dimensions in mm Part No. bold letters refer to standard availability. Normal letters refer to items on special request. Dimensioni in mm I codici in grassetto indicano i prodotti di normale disponibilità. Il carattere normale indica i prodotti speciali su richiesta.</p>		<p>Accessories, cable glands and tools see sections 16, 50 e 60 Accessori, pressacavi ed attrezzi vedere sezioni 16, 50 e 60</p>

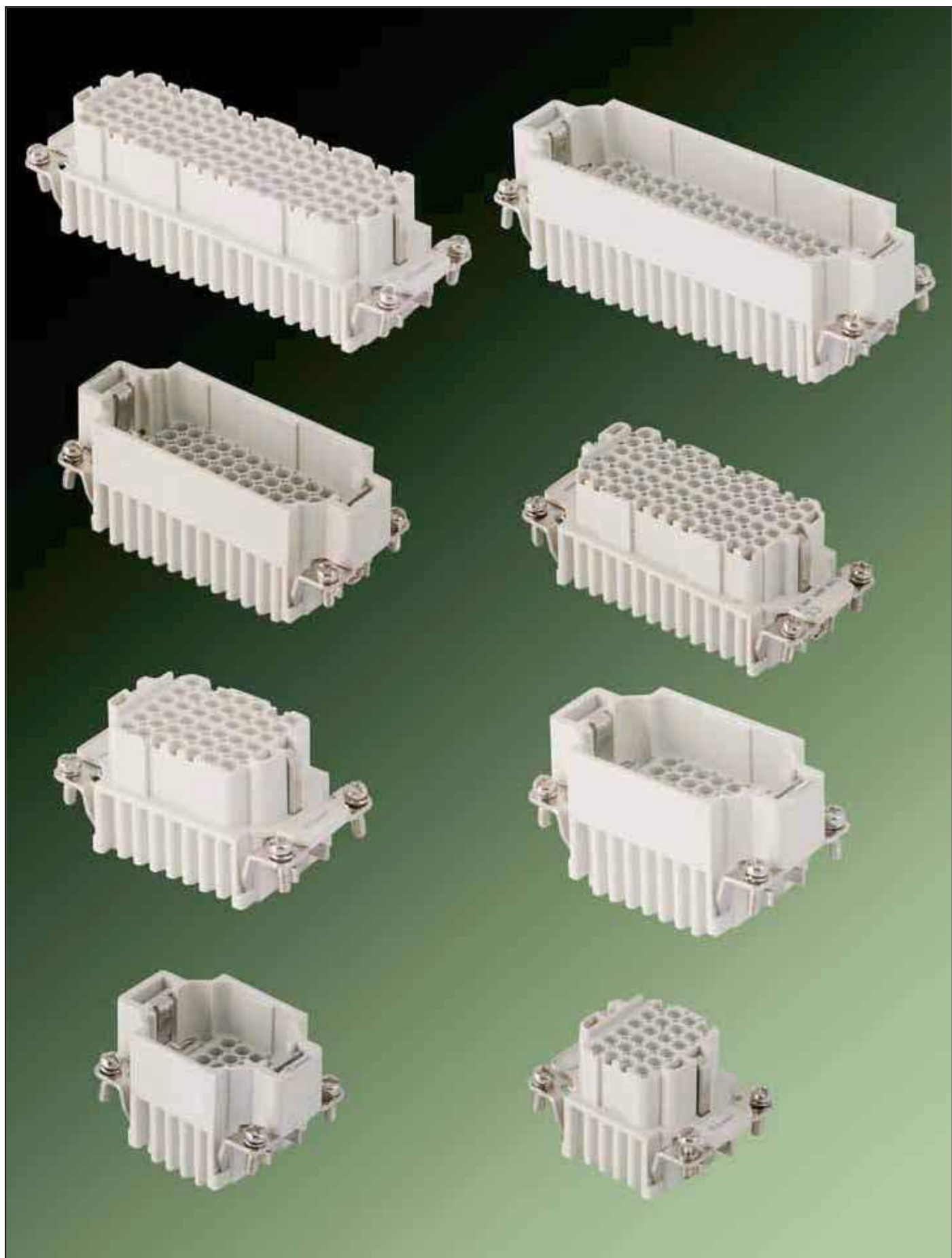
Inserts for crimp contacts Inserti per contatti a crimpare	Size 24B, 64p + ⊕ UL/CSA : 600 V	Part No. Codice
<p> Contact carrier for female contacts turned or stamped Inserto porta contatti per contatti femmina torniti o stampati </p>  <p>  </p> <p> Female crimp contacts 10A, 64 pcs Please order separately, page 01.25, 01.26 </p> <p> Contatti femmina a crimpare 10A, 64 pz Da ordinare separatamente, pag. 01.25, 01.26 </p>	<p> Contact arrangement View from termination side Disposizione contatti Vista lato terminazioni </p>    <p> Panel cut out for inserts For use without hood/housing Foratura di alloggiamento inserti Per uso senza custodie </p>	<p>7164.4024.0</p>
<p> Contact carrier for male contacts turned or stamped Inserto porta contatti per contatti maschio torniti o stampati </p>  <p>  </p> <p> Male crimp contacts 10A, 64 pcs Please order separately, page 01.25, 01.26 </p> <p> Contatti maschio a crimpare 10A, 64 pz Da ordinare separatamente, pag. 01.25, 01.26 </p>	<p> Contact arrangement View from termination side Disposizione contatti Vista lato terminazioni </p>    <p> Panel cut out for inserts For use without hood/housing Foratura di alloggiamento inserti Per uso senza custodie </p>	<p>7164.4124.0</p>
<p> Hood/housing size 24B «104x27» Custodie grandezza 24B «104x27» </p>	<p> Dimensions in mm Part No. bold letters refer to standard availability. Normal letters refer to items on special request. Dimensioni in mm I codici in grassetto indicano i prodotti di normale disponibilità. Il carattere normale indica i prodotti speciali su richiesta. </p>	<p> Accessories, cable glands and tools see sections 50, 55 e 60 Accessori, pressacavi ed attrezzi vedere sezioni 50, 55 e 60 </p>



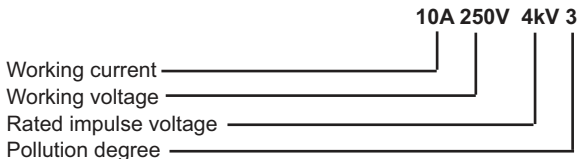
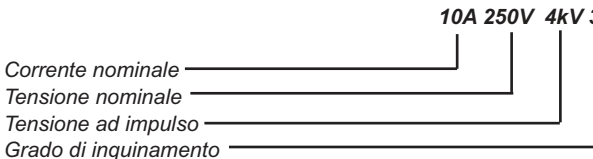
Inserts for crimp contacts Inserti per contatti a crimpare	Size 32B, 80 (40x2) P + ⊕ UL/CSA : 600 V	Quantity Quantità	Part No. Codice
<p> Contact carriers for female contacts turned or stamped Inserti porta contatti per contatti femmina torniti o stampati </p>  <p>  </p> <p> Female crimp contacts 10A, 80 pcs Please order separately, page 01.25, 01.26 </p> <p> Contatti femmina a crimpare 10A, 80 pz Da ordinare separatamente, pag. 01.25, 01.26 </p>	<p> Inserts dimensions see page 01.20 Dimensioni degli inserti vedere pag. 01.20 </p> <p> Contact arrangement View from termination side Disposizione contatti Vista lato terminazioni </p>  <p> Panel cut out for inserts For use without hood/housing Foratura di alloggiamento inserti Per uso senza custodie </p>	<p>x 2</p>	<p>7140.4018.0</p> <p> Remark: 2 inserts are required per hood/ housing </p> <p> Attenzione: sono necessari 2 inserti per custodia </p>
<p> Contact carriers for male contacts turned or stamped Inserti porta contatti per contatti maschio torniti o stampati </p>  <p>  </p> <p> Male crimp contacts 10A, 80 pcs Please order separately, page 01.25, 01.26 </p> <p> Contatti maschio a crimpare 10A, 80 pz Da ordinare separatamente, pag. 01.25, 01.26 </p>	<p> Inserts dimensions see page 01.20 Dimensioni degli inserti vedere pag. 01.20 </p> <p> Contact arrangement View from termination side Disposizione contatti Vista lato terminazioni </p>  <p> Panel cut out for inserts For use without hood/housing Foratura di alloggiamento inserti Per uso senza custodie </p>	<p>x 2</p>	<p>7140.4118.0</p> <p> Remark: 2 inserts are required per hood/ housing </p> <p> Attenzione: sono necessari 2 inserti per custodia </p>
<p> Hood/housing size 32B «77x62» Custodie grandezza 32B «77x62» </p>	<p> Dimensions in mm Part No. bold letters refer to standard availability. Normal letters refer to items on special request. Dimensioni in mm I codici in grassetto indicano i prodotti di normale disponibilità. Il carattere normale indica i prodotti speciali su richiesta. </p>	<p> Accessories, cable glands and tools see sections 50, 55 e 60 Accessori, pressacavi ed attrezzi vedere sezioni 50, 55 e 60 </p>	

Inserts for crimp contacts Inserti per contatti a crimpare	Size 48B, 128 (64x2) P + ⊕ UL/CSA : 600 V	Quantity Quantità	Part No. Codice
<p>Contact carriers for female contacts turned or stamped Inserti porta contatti per contatti femmina torniti o stampati</p>  <p></p> <p>Female crimp contacts 10A, 128 pcs Please order separately, page 01.25, 01.26</p> <p>Contatti femmina a crimpare 10A, 128 pz Da ordinare separatamente, pag. 01.25, 01.26</p>	<p>Inserts dimensions see page 01.22 Dimensioni degli inserti vedere pag. 01.22</p> <p>Contact arrangement View from termination side Disposizione contatti Vista lato terminazioni</p>  <p>Panel cut out for inserts For use without hood/housing Foratura di alloggiamento inserti Per uso senza custodie</p>	<p>x 2</p>	<p>7164.4024.0</p> <p>Remark: 2 inserts are required per hood/ housing</p> <p>Attenzione: sono necessari 2 inserti per custodia</p>
<p>Contact carriers for male contacts turned or stamped Inserti porta contatti per contatti maschio torniti o stampati</p>  <p></p> <p>Male crimp contacts 10A, 128 pcs Please order separately, page 01.25, 01.26</p> <p>Contatti maschio a crimpare 10A, 128 pz Da ordinare separatamente, pag. 01.25, 01.26</p>	<p>Inserts dimensions see page 01.22 Dimensioni degli inserti vedere pag. 01.22</p> <p>Contact arrangement View from termination side Disposizione contatti Vista lato terminazioni</p>  <p>Panel cut out for inserts For use without hood/housing Foratura di alloggiamento inserti Per uso senza custodie</p>	<p>x 2</p>	<p>7164.4124.0</p> <p>Remark: 2 inserts are required per hood/ housing</p> <p>Attenzione: sono necessari 2 inserti per custodia</p>
<p>Hood/housing size 48B «104x62» Custodie grandezza 48B «104x62»</p>	<p>Dimensions in mm Part No. bold letters refer to standard availability. Normal letters refer to items on special request. Dimensioni in mm I codici in grassetto indicano i prodotti di normale disponibilità. Il carattere normale indica i prodotti speciali su richiesta.</p>	<p>Accessories, cable glands and tools see sections 50, 55 e 60 Accessori, pressacavi ed attrezzi vedere sezioni 50, 55 e 60</p>	

Female crimp contacts, turned Contatti femmina a crimpare, torniti	Stripping length Spellatura filo	Ø A	Wire mm ² Filo mm ²	Wire gauge Calibro filo	Part No.- Codice	
					Silver plated Argentati	Gold plated Dorati
  - Material: Copper alloy Materiale: Lega di rame - Surface: Silver or gold plated Finitura: Argentati o dorati	mm					
	8	0,90	0.14 - 0.37	26-22 AWG	7100.4201.0	7100.4201.1
	8	1,10	0.5	20 AWG	7100.4202.0	7100.4202.1
	8	1,30	0.75	18 AWG	7100.4203.0	7100.4203.1
	8	1,45	1.0	18 AWG	7100.4204.0	7100.4204.1
	8	1,75	1.5	16 AWG	7100.4205.0	7100.4205.1
	6	2,25	2.5	14 AWG	7100.4206.0	7100.4206.1
For the best performance and the lowest contact resistance, Molex recommends the use of manual tools, die sets and machines illustrated in the section 60 of this catalogue Per le migliori caratteristiche e la minima resistenza di contatto, si raccomanda l'utilizzo delle pinze manuali, gli applicatori e le macchine illustrate nella sezione 60 di questo catalogo						
Male crimp contacts, turned Contatti maschio a crimpare torniti	Stripping length Spellatura filo	Ø A	Wire mm ² Filo mm ²	Wire gauge Calibro filo	Part No.- Codice	
  - Material: Copper alloy Materiale: Lega di rame - Surface: Silver or gold plated Finitura: Argentati o dorati	mm					
	8	0,90	0.14 - 0.37	26-22 AWG	7100.4211.0	7100.4211.1
	8	1,10	0.5	20 AWG	7100.4212.0	7100.4212.1
	8	1,30	0.75	18 AWG	7100.4213.0	7100.4213.1
	8	1,45	1.0	18 AWG	7100.4214.0	7100.4214.1
	8	1,75	1.5	16 AWG	7100.4215.0	7100.4215.1
	6	2,25	2.5	14 AWG	7100.4216.0	7100.4216.1
For the best performance and the lowest contact resistance, Molex recommends the use of manual tools, die sets and machines illustrated in the section 60 of this catalogue Per le migliori caratteristiche e la minima resistenza di contatto, si raccomanda l'utilizzo delle pinze manuali, gli applicatori e le macchine illustrate nella sezione 60 di questo catalogo						
For inserts: Per inserti: S-D, S-DD, S-Q, S-QD, S-M	Dimensions in mm Part No. bold letters refer to standard availability. Normal letters refer to items on special request. Dimensioni in mm I codici in grassetto indicano i prodotti di normale disponibilità. Il carattere normale indica i prodotti speciali su richiesta.				Crimping tools: see section 60 Attrezzi per crimpare: vedere sezione 60	

Stamped crimp contacts Contatti a crimpare, stampati	Packing Imballo	Type Tipo	Wire mm ² Filo mm ²	Wire gauge Calibro filo	Female Part No.- Codice cont. femmina			
					Silver plated Argentati	Tin plated Stagnati	Gold plated Dorati	
 <p> Type: - A: Single contact - B: On reel dia 200 mm - C: On reel dia 500 mm - A: Contatto singolo - B: In bobina dia 200 mm - C: In bobina dia 500 mm - Material: Phosphor bronze - Surface: Silver, gold or tin plated - Stripping length 3,2 mm - Materiale: Bronzo fosforoso - Finitura: Argentati, dorati o stagnati - Lung. spellatura 3,2 mm </p>	100	A female	0.14 - 0.75	26-18 AWG	7100.4031.0	7100.4031.2	7100.4031.1	
	400	B female	0.14 - 0.75	26-18 AWG	7100.4032.0	7100.4032.2	7100.4032.1	
	2000	C female	0.14 - 0.75	26-18 AWG	7100.4033.0	7100.4033.2	7100.4033.1	
	100	A female	0.75 - 2.5	18-14 AWG	7100.4037.0	7100.4037.2	7100.4037.1	
	400	B female	0.75 - 2.5	18-14 AWG	7100.4038.0	7100.4038.2	7100.4038.1	
	2000	C female	0.75 - 2.5	18-14 AWG	7100.4039.0	7100.4039.2	7100.4039.1	
	- For the best performance and the lowest contact resistance, Molex recommends the use of manual tools, die sets, and machines illustrated in the section 60 of this catalogue - For stranded wires only - Low insertion force - Per le migliori caratteristiche e la minima resistenza di contatto, si raccomanda l'utilizzo delle pinze manuali, gli applicatori e le macchine illustrate nella sezione 60 di questo catalogo - Solo per fili flessibili - Bassa forza di inserzione							
	Packing Imballo	Type Tipo	Wire mm ² Filo mm ²	Wire gauge Calibro filo	Male Part No.- Codice cont. maschio			
					Silver plated Argentati	Tin plated Stagnati	Gold plated Dorati	
	100	A male	0.14 - 0.75	26-18 AWG	7100.4071.0	7100.4071.2	7100.4071.1	
	400	B male	0.14 - 0.75	26-18 AWG	7100.4072.0	7100.4072.2	7100.4072.1	
	2000	C male	0.14 - 0.75	26-18 AWG	7100.4073.0	7100.4073.2	7100.4073.1	
100	A male	0.75 - 2.5	18-14 AWG	7100.4077.0	7100.4077.2	7100.4077.1		
400	B male	0.75 - 2.5	18-14 AWG	7100.4078.0	7100.4078.2	7100.4078.1		
2000	C male	0.75 - 2.5	18-14 AWG	7100.4079.0	7100.4079.2	7100.4079.1		
- For the best performance and the lowest contact resistance, Molex recommends the use of manual tools, die sets, and machines illustrated in the section 60 of this catalogue - For stranded wires only - Low insertion force - Per le migliori caratteristiche e la minima resistenza di contatto, si raccomanda l'utilizzo delle pinze manuali, gli applicatori e le macchine illustrate nella sezione 60 di questo catalogo - Solo per fili flessibili - Bassa forza di inserzione								
For inserts: Per inserti: S-D, S-K, S-Q, S-QD, S-M		Dimensions in mm Part No. bold letters refer to standard availability. Normal letters refer to items on special request. Dimensioni in mm I codici in grassetto indicano i prodotti di normale disponibilità. Il carattere normale indica i prodotti speciali su richiesta.				Crimping tools: see section 60 Attrezzi per crimpare: vedere sezione 60		



Technical characteristics	Caratteristiche tecniche
<p>Specifications: EN 61984, EN 60664-1 UL 1977 CSA C22.2 No. 182.3</p>	<p>Norme di riferimento: EN 61984, EN 60664-1 UL 1977 CSA C22.2 num. 182.3</p>
<p>Approvals:</p> 	<p>Approvazioni:</p> 
<p>Number of contacts 24,42,72,108,144(72x2), 216(108x2) + ⊕</p>	<p>Numero dei contatti 24,42,72,108,144(72x2), 216(108x2) + ⊕</p>
<p>Electrical data acc. to EN 61984</p> 	<p>Caratteristiche elettriche secondo EN 61984</p> 
<p>Pollution degree 2 also 10A 230/400V 4kV 2</p>	<p>Con grado di inquinamento 2 10A 250/400V 4kV 2</p>
<p>Current carrying capacity: Please refer to "Electrical engineering data" page 00.27</p>	<p>Portata di corrente: Vedere pag. 00.27 "Caratteristiche elettriche"</p>
<p>Working voltage acc. to UL/CSA 600V Insulation resistance $\geq 10^{10} \Omega$ Material Polycarbonate Limiting temperatures -40 °C ... +125 °C Flammability acc. to UL94 V0 - GWT 960° Mechanical working life ≥ 500 cycles</p>	<p>Tensione nominale sec. UL/CSA 600V Resistenza di isolamento $\geq 10^{10} \Omega$ Materiale Polycarbonato Limiti di temperatura -40 °C ... +125 °C Autoestinguenza UL94 V0 - GWT 960° Vita meccanica ≥ 500 cicli</p>
<p>Contacts: Turned see page 01.36</p>	<p>Contatti: Torniti ved. pag. 01.36</p>
<p>Material copper alloy Surface Silver plated Gold plated Contact resistance $\leq 3 m \Omega$ Crimp terminal - mm² 0.14+2,5 - AWG 26 - 14</p>	<p>Materiale Lega di rame Finitura: Argentati Dorati Resistenza di contatto $\leq 3 m \Omega$ Terminali a crimpare - mm² 0.14+2,5 - AWG 26 - 14</p>
<p>For solid or stranded wires</p>	<p>Per fili rigidi o flessibili</p>
<p>Recommended enclosures: Section: 21,22,23,25,26,27,30</p>	<p>Custodie suggerite: Sezioni: 21,22,23,25,26,27,30</p>
<p>Type STD, HE, EMC, HP-HE</p> <p>Material Die cast aluminium Surface Powder coated Locking element With metal lever or screws Hoods/Housings seal NBR Limiting temperatures -40 °C ... +125 °C Degree of protection acc. to EN 60529 for coupled connectors IP66 or IP68 (HP-HE) Thread Metric - EN 50262 Pg - DIN 40430</p>	<p>Tipo STD, HE, EMC, HP-HE</p> <p>Materiale Fusione di alluminio Superficie Verniciatura a polvere Sistema di chiusura Con leva metallica o viti Guarnizione NBR Limiti di temperatura -40 °C ... +125 °C Grado di protezione secondo EN 60529 connettori accoppiati IP66 o IP68 (HP-HE) Filettature Metrica - EN 50262 Pg - DIN 40430</p>
<p>According to EN61984 connectors should not be coupled and decoupled under electrical load.</p>	<p>Secondo la norma EN61984 i connettori non devono essere connessi e sconnessi sotto carico</p>

Application with higher voltage

Applicazioni con tensioni maggiori

If all the contacts are used, the S-DD series connectors may be used with voltages of up to 250V, pollution degree 3, in accordance with the standard EN 61984.
 If the number of contacts is reduced and the contacts accordingly assigned, these connectors may be used with higher voltage. This is possible because the decrease in the number of contacts leads to an increase in the surface distance in the air. When the contacts are arranged as shown below, the inserts may be used for voltages up to 500V, pollution degree 3, in accordance with standard EN 61984.

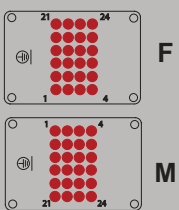
Se vengono inseriti tutti i contatti, i connettori della serie S-DD possono essere utilizzati con tensioni fino a 250V, grado di inquinamento 3, in conformità con la norma EN 61984.
 Se il numero dei contatti viene ridotto e gli stessi opportunamente disposti, possono essere utilizzati con tensioni maggiori. Questo risulta possibile perché il decremento del numero dei contatti produce un incremento della distanza fra essi. Quando i contatti sono disposti come mostrato qui sotto, gli inserti possono essere usati per tensioni fino a 500V, grado di inquinamento 3, in conformità con la norma EN 61984.


For use up to 250V Pollution degree 3
 Per usi fino a 250V Grado di inquinamento 3

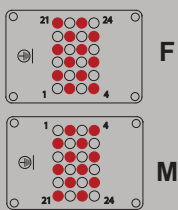
For use up to 400V Pollution degree 3
 Per usi fino a 400V Grado di inquinamento 3

For use up to 500V Pollution degree 3
 Per usi fino a 500V Grado di inquinamento 3

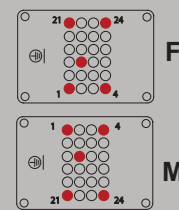
S-DD 24+ 




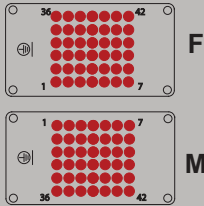
S-DD 12+ 




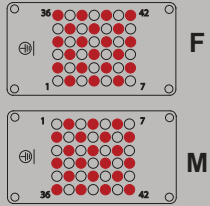
S-DD 5+ 



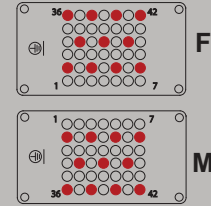
S-DD 42+ 




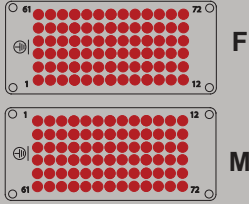
S-DD 21+ 




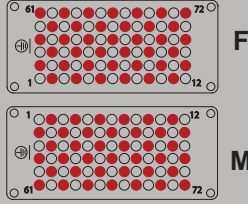
S-DD 11+ 




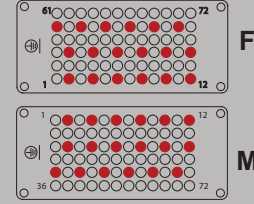
S-DD 72+ 



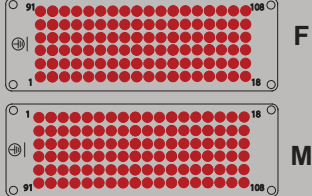
S-DD 34+ 




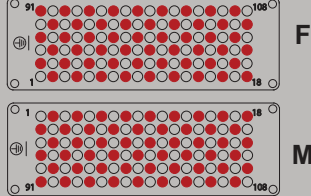
S-DD 17+ 



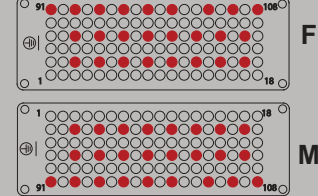
S-DD 108+ 







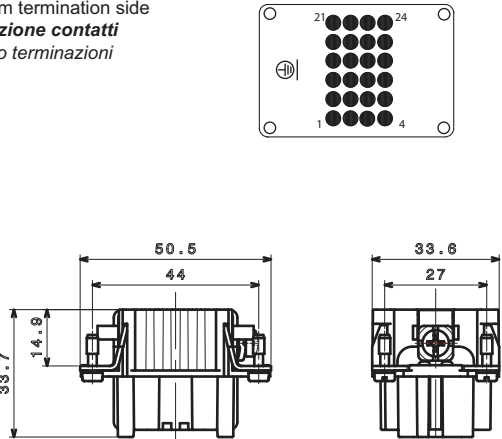
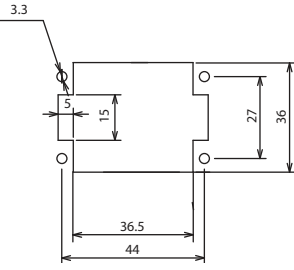


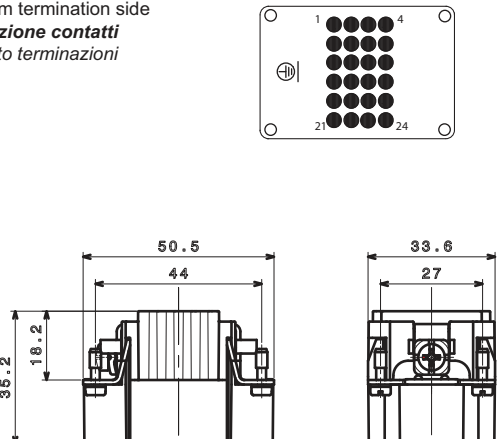
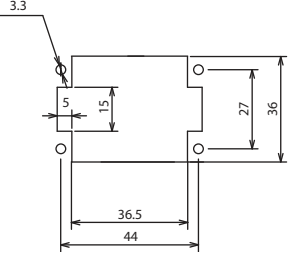
S-DD 52+ 



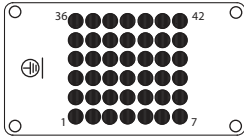
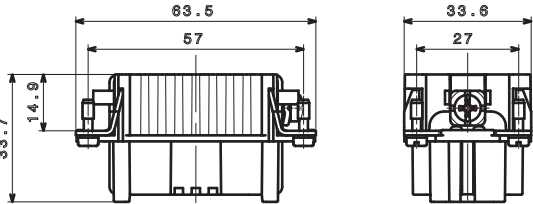
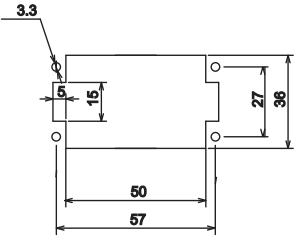


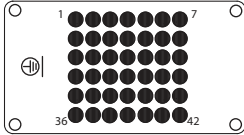
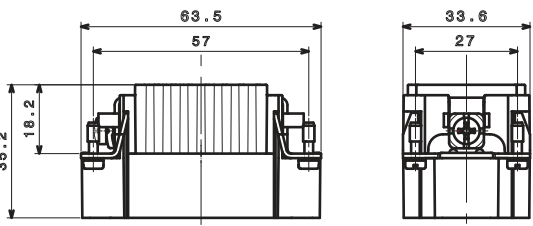
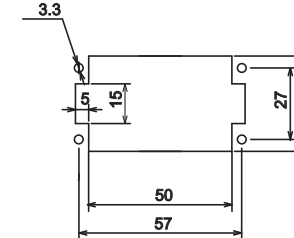




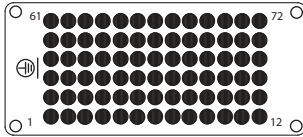
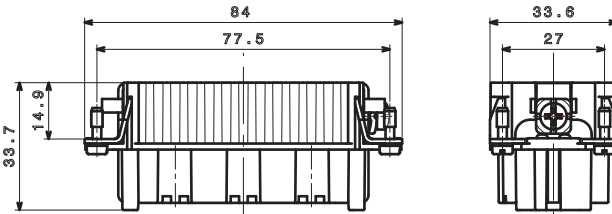
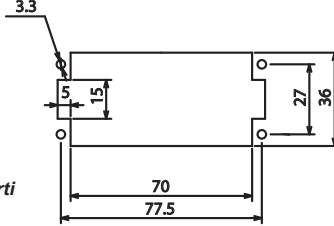


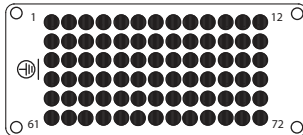
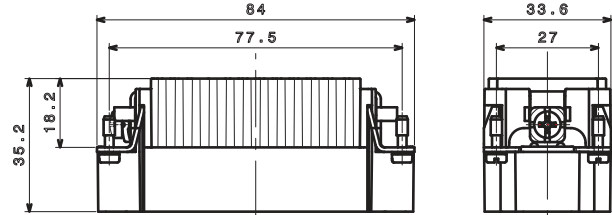
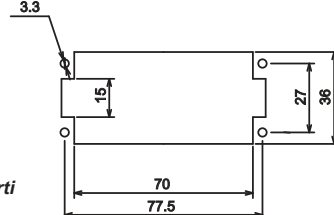
S-DD 26+ 



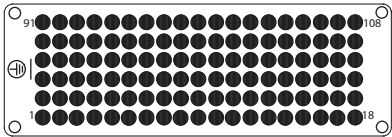
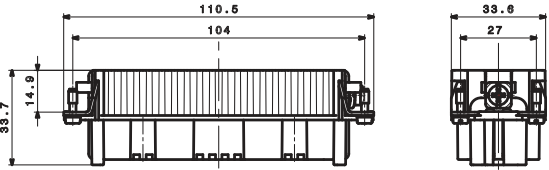
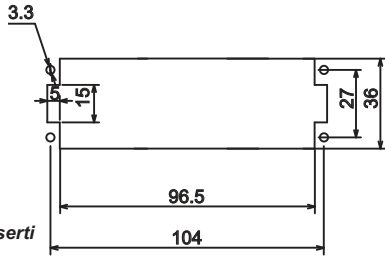
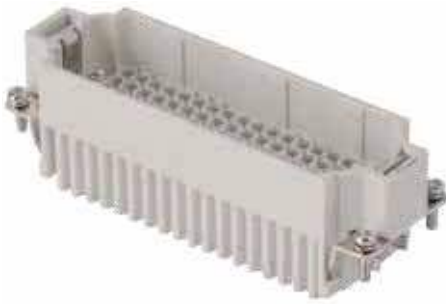

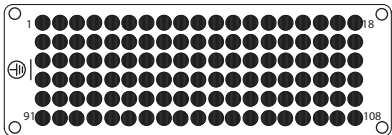
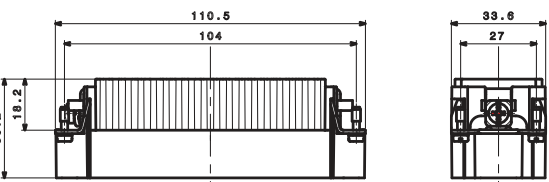
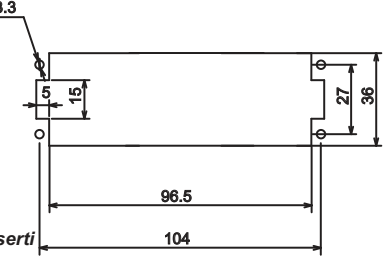




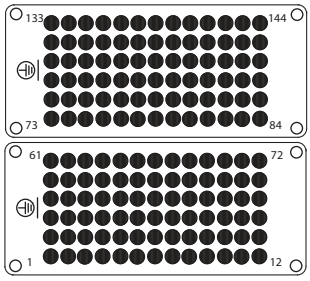
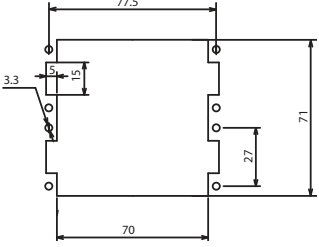


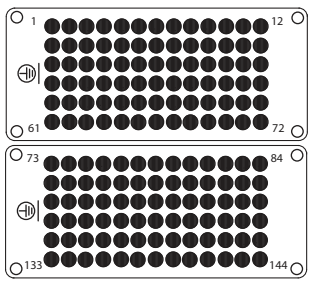
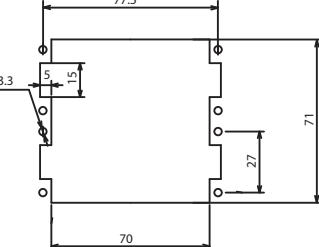
-  Operating contacts / Contatto operativo
 -  Without contact / Senza contatto
- View from terminations side / Vista lato terminazioni



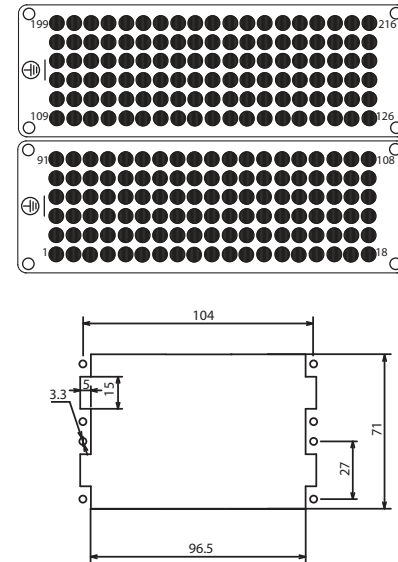


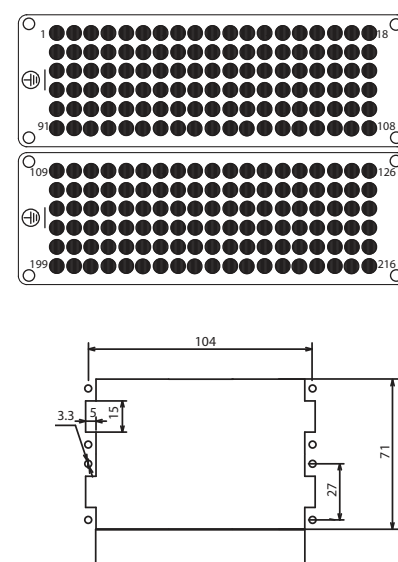
Inserts for crimp contacts Inserti per contatti a crimpare	Size 6B, 24p + Ⓢ UL/CSA : 600 V	Part No. Codice
<p> Contact carrier for female contacts turned Inserto porta contatti per contatti femmina torniti </p>  <p>  </p> <p> Female crimp contacts 10A, 24 pcs Please order separately, page 01.36 </p> <p> Contatti femmina a crimpare 10A, 24 pz Da ordinare separatamente, pag. 01.36 </p>	<p> Contact arrangement View from termination side Disposizione contatti Vista lato terminazioni </p>  <p> Panel cut out for inserts For use without hood/housing Foratura di alloggiamento inserti Per uso senza custodie </p> 	<p>7124.4040.0</p>
<p> Contact carrier for male contacts turned Inserto porta contatti per contatti maschio torniti </p>  <p>  </p> <p> Male crimp contacts 10A, 24 pcs Please order separately, page 01.36 </p> <p> Contatti maschio a crimpare 10A, 24 pz Da ordinare separatamente, pag. 01.36 </p>	<p> Contact arrangement View from termination side Disposizione contatti Vista lato terminazioni </p>  <p> Panel cut out for inserts For use without hood/housing Foratura di alloggiamento inserti Per uso senza custodie </p> 	<p>7124.4140.0</p>
<p> Hood/housing size 6B «44x27» Custodie grandezza 6B «44x27» </p>	<p> Dimensions in mm Part No. bold letters refer to standard availability. Normal letters refer to items on special request. Dimensioni in mm I codici in grassetto indicano i prodotti di normale disponibilità. Il carattere normale indica i prodotti speciali su richiesta. </p>	<p> Accessories, cable glands and tools see sections 50, 55 e 60 Accessori, pressacavi ed attrezzi vedere sezioni 50, 55 e 60 </p>


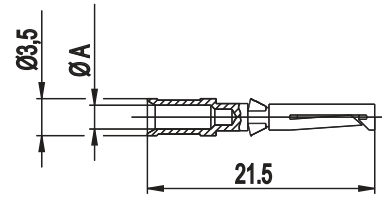

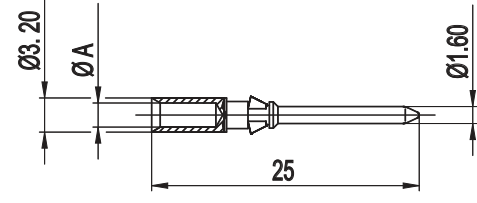
Inserts for crimp contacts Inserti per contatti a crimpare	Size 10B, 42p + ⊕ UL/CSA : 600 V	Part No. Codice
<p> Contact carrier for female contacts turned Inserto porta contatti per contatti femmina torniti </p>  <p>  Female crimp contacts 10A, 42 pcs Please order separately, page 01.36 Contatti femmina a crimpare 10A, 42 pz Da ordinare separatamente, pag. 01.36 </p>	<p> Contact arrangement View from termination side Disposizione contatti Vista lato terminazioni </p>    <p> Panel cut out for inserts For use without hood/housing Foratura di alloggiamento inserti Per uso senza custodie </p>	<p>7142.4046.0</p>
<p> Contact carrier for male contacts turned Inserto porta contatti per contatti maschio torniti </p>  <p>  Male crimp contacts 10A, 42 pcs Please order separately, page 01.36 Contatti maschio a crimpare 10A, 42 pz Da ordinare separatamente, pag. 01.36 </p>	<p> Contact arrangement View from termination side Disposizione contatti Vista lato terminazioni </p>    <p> Panel cut out for inserts For use without hood/housing Foratura di alloggiamento inserti Per uso senza custodie </p>	<p>7142.4146.0</p>
<p> Hood/housing size 10B «57x27» Custodie grandezza 10B «57x27» </p>	<p> Dimensions in mm Part No. bold letters refer to standard availability. Normal letters refer to items on special request. Dimensioni in mm I codici in grassetto indicano i prodotti di normale disponibilità. Il carattere normale indica i prodotti speciali su richiesta. </p>	<p> Accessories, cable glands and tools see sections 50, 55 e 60 Accessori, pressacavi ed attrezzi vedere sezioni 50, 55 e 60 </p>

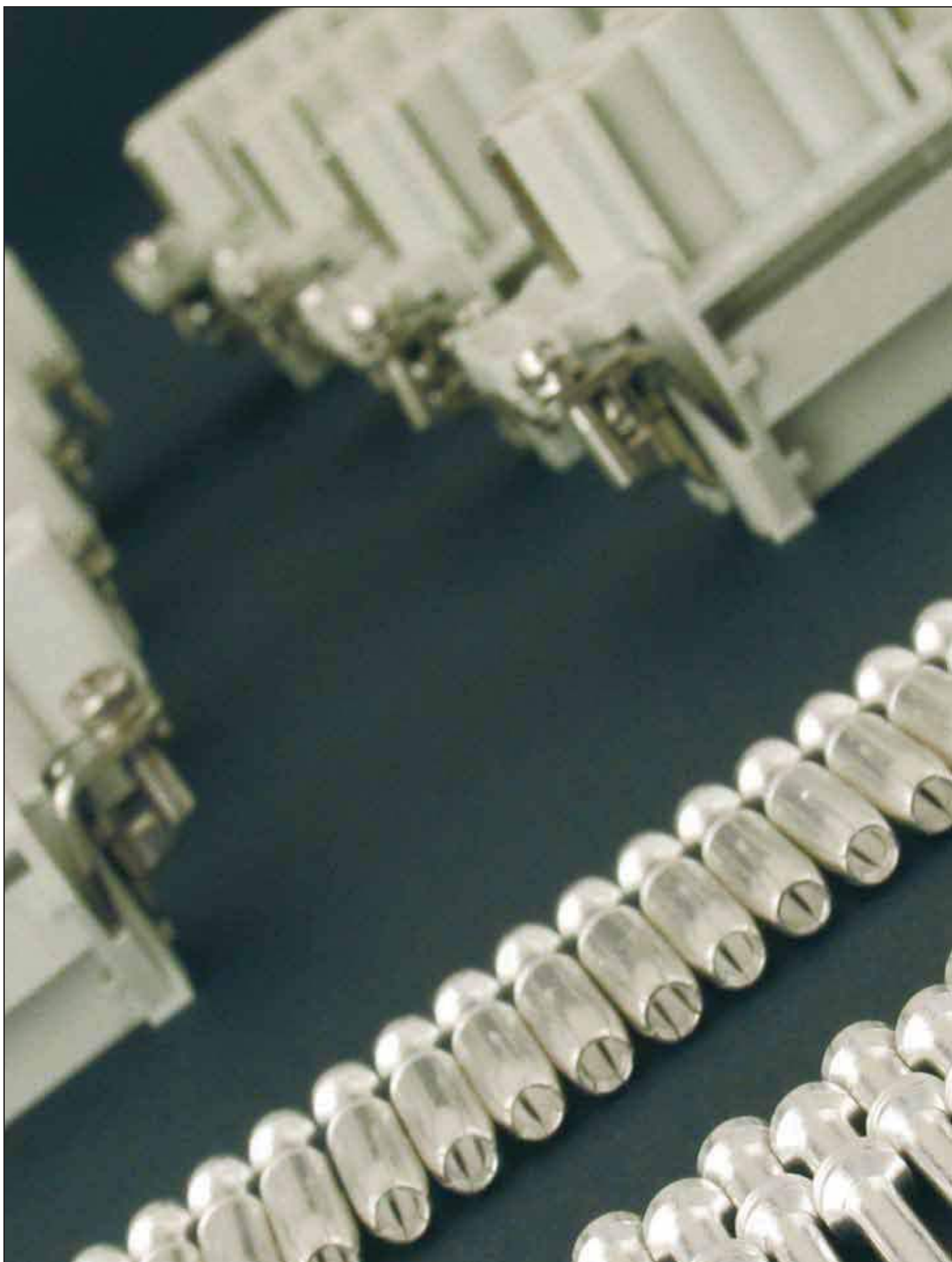
Inserts for crimp contacts Inserti per contatti a crimpare	Size 16B, 72p + ⚡ UL/CSA : 600 V	Part No. Codice
<p> Contact carrier for female contacts turned Inserto porta contatti per contatti femmina torniti </p>  <p>  </p> <p> Female crimp contacts 10A, 72 pcs Please order separately, page 01.36 </p> <p> Contatti femmina a crimpare 10A, 72 pz Da ordinare separatamente, pag. 01.36 </p>	<p> Contact arrangement View from termination side Disposizione contatti Vista lato terminazioni </p>    <p> Panel cut out for inserts For use without hood/housing Foratura di alloggiamento inserti Per uso senza custodie </p>	<p>7172.4052.0</p>
<p> Contact carrier for male contacts turned Inserto porta contatti per contatti maschio torniti </p>  <p>  </p> <p> Male crimp contacts 10A, 72 pcs Please order separately, page 01.36 </p> <p> Contatti maschio a crimpare 10A, 72 pz Da ordinare separatamente, pag. 01.36 </p>	<p> Contact arrangement View from termination side Disposizione contatti Vista lato terminazioni </p>    <p> Panel cut out for inserts For use without hood/housing Foratura di alloggiamento inserti Per uso senza custodie </p>	<p>7172.4152.0</p>
<p> Hood/housing size 16B «77x27» Custodie grandezza 16B «77x27» </p>	<p> Dimensions in mm Part No. bold letters refer to standard availability. Normal letters refer to items on special request. Dimensioni in mm I codici in grassetto indicano i prodotti di normale disponibilità. Il carattere normale indica i prodotti speciali su richiesta. </p>	<p> Accessories, cable glands and tools see sections 50, 55 e 60 Accessori, pressacavi ed attrezzi vedere sezioni 50, 55 e 60 </p>

Inserts for crimp contacts Inserti per contatti a crimpare	Size 24B, 108p + Ⓢ UL/CSA : 600 V	Part No. Codice
<p> Contact carrier for female contacts turned Inserto porta contatti per contatti femmina torniti </p>  <p>  </p> <p> Female crimp contacts 10A, 108 pcs Please order separately, page 01.36 </p> <p> Contatti femmina a crimpare 10A, 108 pz Da ordinare separatamente, pag. 01.36 </p>	<p> Contact arrangement View from termination side Disposizione contatti Vista lato terminazioni </p>    <p> Panel cut out for inserts For use without hood/housing Foratura di alloggiamento inserti Per uso senza custodie </p>	<p>7108.4058.0</p>
<p> Contact carrier for male contacts turned Inserto porta contatti per contatti maschio torniti </p>  <p>  </p> <p> Male crimp contacts 10A, 108 pcs Please order separately, page 01.36 </p> <p> Contatti maschio a crimpare 10A, 108 pz Da ordinare separatamente, pag. 01.36 </p>	<p> Contact arrangement View from termination side Disposizione contatti Vista lato terminazioni </p>    <p> Panel cut out for inserts For use without hood/housing Foratura di alloggiamento inserti Per uso senza custodie </p>	<p>7108.4158.0</p>
<p> Hood/housing size 24B «104x27» Custodie grandezza 24B «104x27» </p>	<p> Dimensions in mm Part No. bold letters refer to standard availability. Normal letters refer to items on special request. Dimensioni in mm I codici in grassetto indicano i prodotti di normale disponibilità. Il carattere normale indica i prodotti speciali su richiesta. </p>	<p> Accessories, cable glands and tools see sections 50, 55 e 60 Accessori, pressacavi ed attrezzi vedere sezioni 50, 55 e 60 </p>


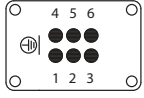
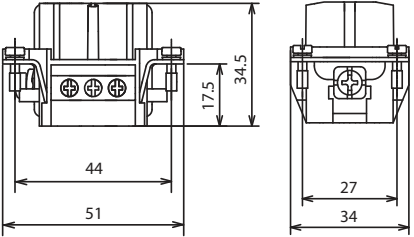
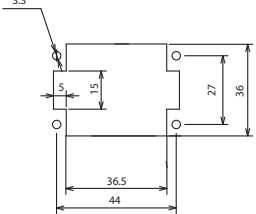

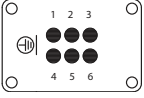
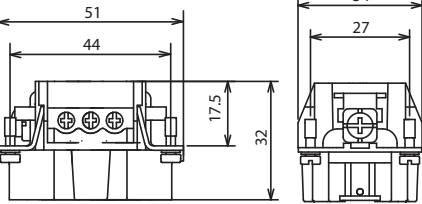
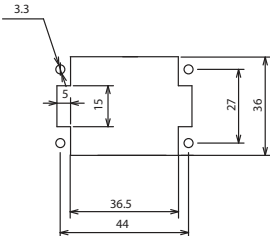
Inserts for crimp contacts Inserti per contatti a crimpare	Size 32B, 144 (72x2) P + Ⓢ UL/CSA : 600 V	Quantity Quantità	Part No. Codice
<p> Contact carriers for female contacts turned Inserti porta contatti per contatti femmina torniti </p>  <p>  </p> <p> Female crimp contacts 10A, 144 pcs Please order separately, page 01.36 </p> <p> Contatti femmina a crimpare 10A, 144 pz Da ordinare separatamente, pag. 01.36 </p>	<p> Contact arrangement View from termination side Disposizione contatti Vista lato terminazioni </p>   <p> Panel cut out for inserts For use without hood/housing Foratura di alloggiamento inserti Per uso senza custodie </p>	<p>x 1</p> <p>x 1</p>	<p>7172.4052.0</p> <p> Numbering Numerazione 1-72 </p> <p>7172.4053.0</p> <p> Numbering Numerazione 73-144 </p> <p> Remark: 2 inserts are required per hood/housing Attenzione: sono necessari 2 inserti per custodia </p>
<p> Contact carriers for male contacts turned Inserti porta contatti per contatti maschio torniti </p>  <p>  </p> <p> Male crimp contacts 10A, 144 pcs Please order separately, page 01.36 </p> <p> Contatti maschio a crimpare 10A, 144 pz Da ordinare separatamente, pag. 01.36 </p>	<p> Contact arrangement View from termination side Disposizione contatti Vista lato terminazioni </p>   <p> Panel cut out for inserts For use without hood/housing Foratura di alloggiamento inserti Per uso senza custodie </p>	<p>x 1</p> <p>x 1</p>	<p>7172.4152.0</p> <p> Numbering Numerazione 1-72 </p> <p>7172.4153.0</p> <p> Numbering Numerazione 73-144 </p> <p> Remark: 2 inserts are required per hood/housing Attenzione: sono necessari 2 inserti per custodia </p>
<p> Hood/housing size 32B «77x62» Custodie grandezza 32B «77x62» </p>	<p> Dimensions in mm Part No. bold letters refer to standard availability. Normal letters refer to items on special request. Dimensioni in mm I codici in grassetto indicano i prodotti di normale disponibilità. Il carattere normale indica i prodotti speciali su richiesta. </p>	<p> Accessories, cable glands and tools see sections 50, 55 e 60 Accessori, pressacavi ed attrezzi vedere sezioni 50, 55 e 60 </p>	



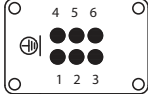
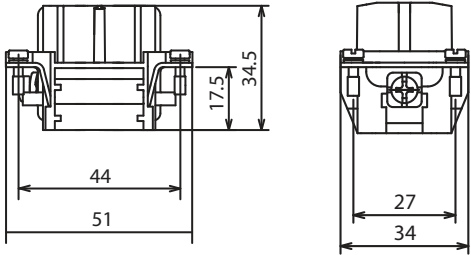
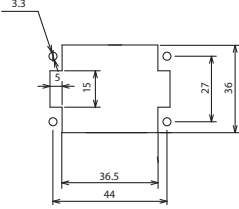


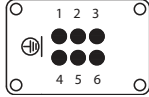
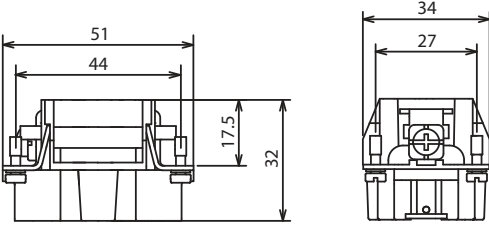
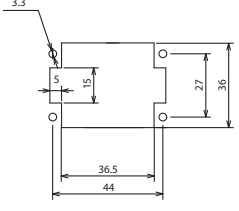
Inserts for crimp contacts Inserti per contatti a crimpare	Size 48B, 216 (108x2) P + ⊕ UL/CSA : 600 V	Quantity Quantità	Part No. Codice
<p> Contact carriers for female contacts turned Inserti porta contatti per contatti femmina torniti </p>  <p>  </p> <p> Female crimp contacts 10A, 216 pcs Please order separately, page 01.36 </p> <p> Contatti femmina a crimpare 10A, 216 pz Da ordinare separatamente, pag. 01.36 </p>	<p> Contact arrangement View from termination side Disposizione contatti Vista lato terminazioni </p>  <p> Panel cut out for inserts For use without hood/housing Foratura di alloggiamento inserti Per uso senza custodie </p>	<p>x 1</p> <p>x 1</p>	<p>7108.4058.0</p> <p> Numbering Numerazione 1-108 </p> <p>7108.4059.0</p> <p> Numbering Numerazione 109-216 </p> <p> Remark: 2 inserts are required per hood/housing Attenzione: sono necessari 2 inserti per custodia </p>
<p> Contact carriers for male contacts turned Inserti porta contatti per contatti maschio torniti </p>  <p>  </p> <p> Male crimp contacts 10A, 216 pcs Please order separately, page 01.36 </p> <p> Contatti maschio a crimpare 10A, 216 pz Da ordinare separatamente, pag. 01.36 </p>	<p> Contact arrangement View from termination side Disposizione contatti Vista lato terminazioni </p>  <p> Panel cut out for inserts For use without hood/housing Foratura di alloggiamento inserti Per uso senza custodie </p>	<p>x 1</p> <p>x 1</p>	<p>7108.4158.0</p> <p> Numbering Numerazione 1-108 </p> <p>7108.4159.0</p> <p> Numbering Numerazione 109-216 </p> <p> Remark: 2 inserts are required per hood/housing Attenzione: sono necessari 2 inserti per custodia </p>
<p> Hood/housing size 48B «104x62» Custodie grandezza 48B «104x62» </p>	<p> Dimensions in mm Part No. bold letters refer to standard availability. Normal letters refer to items on special request. Dimensioni in mm I codici in grassetto indicano i prodotti di normale disponibilità. Il carattere normale indica i prodotti speciali su richiesta. </p>	<p> Accessories, cable glands and tools see sections 50, 55 e 60 Accessori, pressacavi ed attrezzi vedere sezioni 50, 55 e 60 </p>	




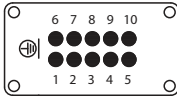
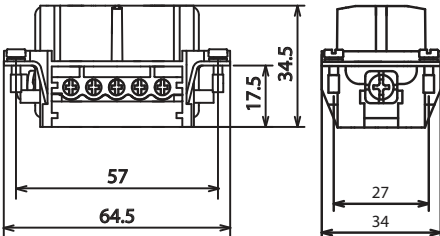
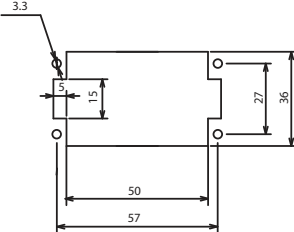



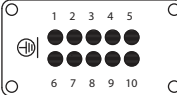
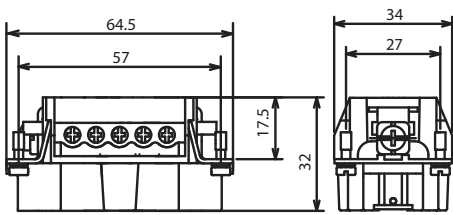
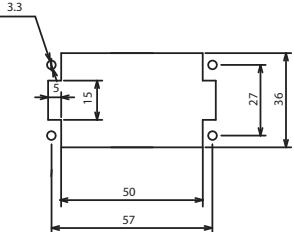
Female crimp contacts, machined Contatti femmina a crimpare, torniti	Stripping length Spellatura filo	Ø A	Wire mm ² Filo mm ²	Wire gauge Calibro filo	Part No.- Codice	
					Silver plated Argentati	Gold plated Dorati
  - Material: Copper alloy Materiale: Lega di rame - Surface: Silver or gold plated Finitura: Argentati o dorati	mm					
	8	0,90	0.14 - 0.37	26-22 AWG	7100.4201.0	7100.4201.1
	8	1,10	0.5	20 AWG	7100.4202.0	7100.4202.1
	8	1,30	0.75	18 AWG	7100.4203.0	7100.4203.1
	8	1,45	1.0	18 AWG	7100.4204.0	7100.4204.1
	8	1,75	1.5	16 AWG	7100.4205.0	7100.4205.1
	6	2,25	2.5	14 AWG	7100.4206.0	7100.4206.1
For the best performance and the lowest contact resistance, Molex recommends the use of manual tools, die sets and machines illustrated in the section 60 of this catalogue Per le migliori caratteristiche e la minima resistenza di contatto, si raccomanda l'utilizzo delle pinze manuali, gli applicatori e le macchine illustrate nella sezione 60 di questo catalogo						
Male crimp contacts, machined Contatti maschio a crimpare torniti	Stripping length Spellatura filo	Ø A	Wire mm ² Filo mm ²	Wire gauge Calibro filo	Part No.- Codice	
  - Material: Copper alloy Materiale: Lega di rame - Surface: Silver or gold plated Finitura: Argentati o dorati	mm					
	8	0,90	0.14 - 0.37	26-22 AWG	7100.4211.0	7100.4211.1
	8	1,10	0.5	20 AWG	7100.4212.0	7100.4212.1
	8	1,30	0.75	18 AWG	7100.4213.0	7100.4213.1
	8	1,45	1.0	18 AWG	7100.4214.0	7100.4214.1
	8	1,75	1.5	16 AWG	7100.4215.0	7100.4215.1
	6	2,25	2.5	14 AWG	7100.4216.0	7100.4216.1
For the best performance and the lowest contact resistance, Molex recommends the use of manual tools, die sets and machines illustrated in the section 60 of this catalogue Per le migliori caratteristiche e la minima resistenza di contatto, si raccomanda l'utilizzo delle pinze manuali, gli applicatori e le macchine illustrate nella sezione 60 di questo catalogo						
For inserts: Per inserti: S-D, S-DD, S-Q, S-QD, S-M	Dimensions in mm Part No. bold letters refer to standard availability. Normal letters refer to items on special request. Dimensioni in mm I codici in grassetto indicano i prodotti di normale disponibilità. Il carattere normale indica i prodotti speciali su richiesta.			Crimping tools: see section 60 Attrezzi per crimpare: vedere sezione 60		



Technical characteristics	Caratteristiche tecniche																				
<p>Specifications: EN 61984, EN 60664-1 UL 1977 CSA C22.2 No 182.3</p> <p>Approvals: (UL, CSA)</p> <p>Number of contacts 6,10,16,24,32 (16x2), 48 (24x2) + ⊕</p> <p>Electrical data acc. to EN 61984</p> <table border="1" data-bbox="124 616 718 772"> <tr> <td></td> <td style="text-align: right;">16A 500V 6kV 3</td> </tr> <tr> <td>Working current</td> <td>_____</td> </tr> <tr> <td>Working voltage</td> <td>_____</td> </tr> <tr> <td>Rated impulse voltage</td> <td>_____</td> </tr> <tr> <td>Pollution degree</td> <td>_____</td> </tr> </table> <p>Pollution degree 2 also 16A 400/690V 6kV 2</p> <p>Current carrying capacity: Please refer to "Electrical engineering data" page 00.28 Over 24A with 6p inserts</p> <p>Working voltage acc. to UL/CSA 600V Insulation resistance $\geq 10^{10} \Omega$ Material Polycarbonate Limiting temperatures -40 °C ... +125 °C Flammability acc. to UL 94 V0 - GWT 960° Mechanical working life ≥ 700 cycles</p> <p>Material Copper alloy Surface Silver plated Gold plated Contact resistance $\leq 1 \text{ m} \Omega$</p> <p>Crimp terminal (turned) See page 02.14 - mm² 0.14+4.0 - AWG 26 - 12 - Stripping length 7.5 mm</p> <p>Screw terminal - mm² 0,5+4,0 - AWG 20 ÷ 12 - Tightening torque 0.5 Nm - Stripping length 7.0 mm</p> <p>For solid or stranded wires</p> <p>Recommended enclosures: Section: 21,22,23,25,26,27,30</p> <p>Type STD, HE, EMC, HP-HE</p> <p>Material Die cast aluminium Surface Powder coated Locking element With metal lever or screws Hoods/Housings seal NBR Limiting temperatures -40 °C ... +125 °C Degree of protection acc. to EN 60529 for coupled connectors IP66 or IP68 (HP-HE) Thread Metric - EN 50262 Pg - DIN 40430</p>		16A 500V 6kV 3	Working current	_____	Working voltage	_____	Rated impulse voltage	_____	Pollution degree	_____	<p>Norme di riferimento: EN 61984, EN 60664-1 UL 1977 CSA C22.2 No 182.3</p> <p>Approvazioni: (UL, CSA)</p> <p>Numero dei contatti 6,10,16, 24,32 (16x2), 48 (24x2) + ⊕</p> <p>Caratteristiche elettriche secondo EN 61984</p> <table border="1" data-bbox="829 616 1428 772"> <tr> <td></td> <td style="text-align: right;">16A 500V 6kV 3</td> </tr> <tr> <td>Corrente nominale</td> <td>_____</td> </tr> <tr> <td>Tensione nominale</td> <td>_____</td> </tr> <tr> <td>Tensione ad impulso</td> <td>_____</td> </tr> <tr> <td>Grado di inquinamento</td> <td>_____</td> </tr> </table> <p>Con grado di inquinamento 2 16A 400/690V 6kV 2</p> <p>Portata di corrente: Vedere pag. 00.28 "Caratteristiche elettriche" Oltre 24A con inserti 6p</p> <p>Tensione nominale secondo UL/CSA 600V Resistenza di isolamento $\geq 10^{10} \Omega$ Materiale Polycarbonate Limiti di temperature -40 °C ... +125 °C Autoestinguenza UL 94 V0 - GWT 960° Vita meccanica ≥ 700 cicli</p> <p>Materiale Lega di rame Finitura: Argentati Dorati Resistenza di contatto $\leq 1 \text{ m} \Omega$</p> <p>Terminali a crimpare (torniti) Vedi pag. 02.14 - mm² 0.14+4.0 - AWG 26 - 12 - Lunghezza spellatura 7.5 mm</p> <p>Terminali a vite - mm² 0.5+4,0 mm² - AWG 20 ÷ 12 - Coppia di serraggio 0.5 Nm - Lunghezza di spellatura 7.0 mm</p> <p>Per fili rigidi o flessibili</p> <p>Custodie suggerite: Sezioni: 21,22,23,25,26,27,30</p> <p>Tipo STD, HE, EMC, HP-HE</p> <p>Materiale Fusione di alluminio Superficie Verniciatura a polvere Sistema di chiusura Con leva metallica o viti Guarnizione NBR Limiti di temperature -40 °C ... +125 °C Grado di protezione secondo EN 60529 connettori accoppiati IP66 o IP68 (HP-HE) Filettature Metrica - EN 50262 Pg - DIN 40430</p>		16A 500V 6kV 3	Corrente nominale	_____	Tensione nominale	_____	Tensione ad impulso	_____	Grado di inquinamento	_____
	16A 500V 6kV 3																				
Working current	_____																				
Working voltage	_____																				
Rated impulse voltage	_____																				
Pollution degree	_____																				
	16A 500V 6kV 3																				
Corrente nominale	_____																				
Tensione nominale	_____																				
Tensione ad impulso	_____																				
Grado di inquinamento	_____																				
<p>According to EN61984 connectors should not be coupled and decoupled under electrical load.</p>	<p>Secondo la norma EN61984 i connettori non devono essere connessi e sconnessi sotto carico</p>																				

Screw terminal inserts <i>Inserti con terminali a vite</i>	Size 6B, 6p + ⚡ UL/CSA : 600 V	Type <i>Tipo</i>	Part No. <i>Codice</i>
<p>Female inserts <i>Inserti femmina</i></p>  <p>UL CSA CE RoHS</p> <p>Silver plated contacts with cross/slot screws <i>Contatti argentati con viti con impronta combi taglio/croce</i></p>	<p>Contact arrangement View from termination side <i>Disposizione contatti</i> <i>Vista lato terminazioni</i></p>    <p>Panel cut out for inserts For use without hood/housing <i>Foratura di alloggiamento inserti</i> <i>Per uso senza custodie</i></p>	<p>Screw terminals with wire protection Section: 0.5-2,5 mm² (20-14 AWG)</p> <p><i>Terminali a vite con proteggi-filo</i> <i>Per sezioni:</i> <i>0,5-2,5 mm²</i> <i>(20-14 AWG)</i></p>	<p>7306.6003.0</p>
		<p>Screw terminals without wire protection 0.5- 4 mm² (20-12 AWG)</p> <p><i>Terminali a vite senza proteggi-filo</i> <i>Per sezioni</i> <i>0,5- 4 mm²</i> <i>(20-12 AWG)</i></p>	<p>7306.6003.1</p>
<p>Male inserts <i>Inserti maschio</i></p>  <p>UL CSA CE RoHS</p> <p>Silver plated contacts with cross/slot screws <i>Contatti argentati con viti con impronta combi taglio/croce</i></p>	<p>Contact arrangement View from termination side <i>Disposizione contatti</i> <i>Vista lato terminazioni</i></p>    <p>Panel cut out for inserts For use without hood/housing <i>Foratura di alloggiamento inserti</i> <i>Per uso senza custodie</i></p>	<p>Screw terminals with wire protection Section: 0.5-2,5 mm² (20-14 AWG)</p> <p><i>Terminali a vite con proteggi-filo</i> <i>Per sezioni:</i> <i>0,5-2,5 mm²</i> <i>(20-14 AWG)</i></p>	<p>7306.6103.0</p>
		<p>Screw terminals without wire protection 0.5-4 mm² (20-12 AWG)</p> <p><i>Terminali a vite senza proteggi-filo</i> <i>Per sezioni</i> <i>0,5-4 mm²</i> <i>(20-12 AWG)</i></p>	<p>7306.6103.1</p>
<p>Hood/housing size 6B «44x27» <i>Custodie grandezza 6B «44x27»</i></p>	<p>Dimensions in mm Part No. bold letters refer to standard availability. Normal letters refer to items on special request. <i>Dimensioni in mm I codici in grassetto indicano i prodotti di normale disponibilità. Il carattere normale indica i prodotti speciali su richiesta.</i></p>	<p>Accessories, cable glands and tools see sections 50, 55 e 60 <i>Accessori, pressacavi ed attrezzi vedere sezioni 50, 55 e 60</i></p>	




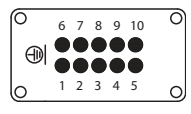
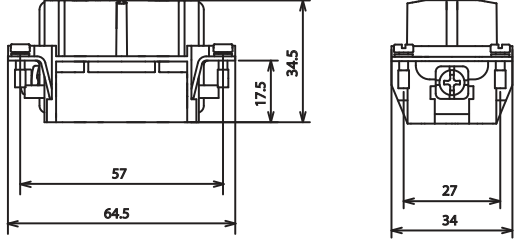
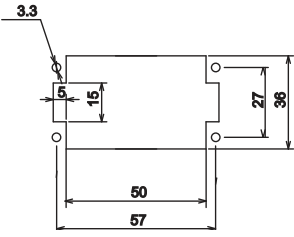



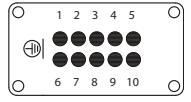
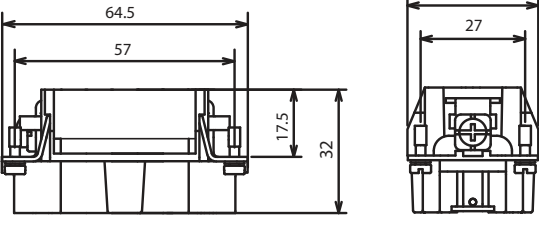
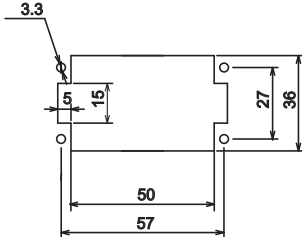
Inserts for crimp contacts <i>Inserti per contatti a crimpare</i>	Size 6B, 6p + ⊕ UL/CSA : 600V	Part No. Codice
<p> Contact carrier for female contacts <i>Inserto porta contatti per contatti femmina</i> </p>  <p>  Female crimp contacts 16A, 6 pcs Please order contacts separately, page 02.14 <i>Contatti femmina a crimpare 16A, 6 pz</i> <i>Contatti da ordinare separatamente, pag. 02.14</i> </p>	<p> Contact arrangement View from termination side <i>Disposizione contatti</i> <i>Vista lato terminazioni</i> </p>   <p>  </p> <p> Panel cut out for inserts For use without hood/housing <i>Foratura di alloggiamento inserti</i> Per uso senza custodia </p>	<p>7306.6061.0</p>
<p> Contact carrier for male contacts <i>Inserto porta contatti per contatti maschio</i> </p>  <p>  Male crimp contacts 16A, 6 pcs Please order contacts separately, page 02.14 <i>Contatti maschio a crimpare 16A, 6 pz</i> <i>Contatti da ordinare separatamente, pag. 02.14</i> </p>	<p> Contact arrangement View from termination side <i>Disposizione contatti</i> <i>Vista lato terminazioni</i> </p>   <p>  </p> <p> Panel cut out for inserts For use without hood/housing <i>Foratura di alloggiamento inserti</i> Per uso senza custodia </p>	<p>7306.6161.0</p>
<p> Hood/housing size 6B «44x27» <i>Custodie grandezza 6B «44x27»</i> </p>	<p> Dimensions in mm Part No. bold letters refer to standard availability. Normal letters refer to items on special request. <i>Dimensioni in mm I codici in grassetto indicano i prodotti di normale disponibilità. Il carattere normale indica i prodotti speciali su richiesta.</i> </p>	<p> Accessories, cable glands and tools see sections 50, 55 e 60 <i>Accessori, pressacavi ed attrezzi vedere sezioni 50, 55 e 60</i> </p>



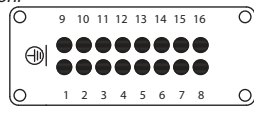
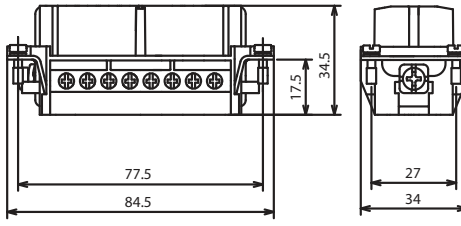
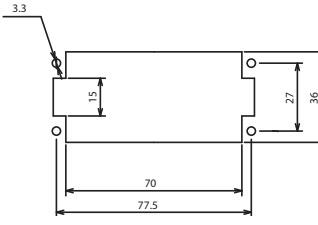


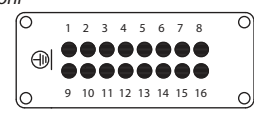
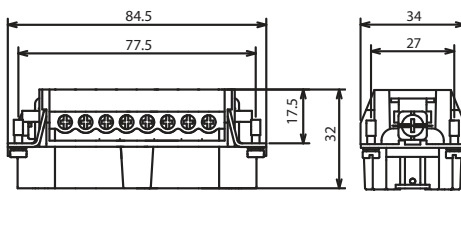
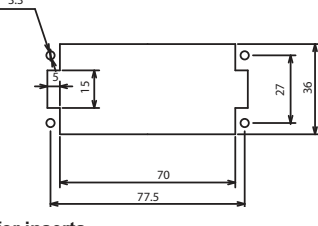
Screw terminal inserts Inserti con terminali a vite	Size 10B, 10p + ⊕ UL/CSA : 600 V	Type Tipo	Part No. Codice
<p>Female inserts Inserti femmina</p>   <p>In accordance with: DESINA specifications Secondo: ISO 23270-3 standard</p>  <p>Silver plated contacts with cross/slot screws Contatti argentati con viti con impronta combi taglio/croce</p>	<p>Contact arrangement View from termination side Disposizione contatti Vista lato terminazioni</p>  	<p>Screw terminals with wire protection Section: 0.5-2,5 mm² (20-14 AWG)</p> <p><i>Terminali a vite con proteggi-filo</i> Per sezioni: 0,5-2,5 mm² (20-14 AWG)</p>	<p>7310.6004.0</p>
	 <p>Panel cut out for inserts For use without hood/housing Foratura di alloggiamento inserti Per uso senza custodie</p>	<p>Screw terminals without wire protection Section: 0.5-4 mm² (20-12 AWG)</p> <p><i>Terminali a vite senza proteggi-filo</i> Per sezioni: 0,5-4 mm² (20-12 AWG)</p>	<p>7310.6004.1</p>
<p>Male inserts Inserti maschio</p>   <p>In accordance with: DESINA specifications Secondo: ISO 23270-3 standard</p>  <p>Silver plated contacts with cross/slot screws Contatti argentati con viti con impronta combi taglio/croce</p>	<p>Contact arrangement View from termination side Disposizione contatti Vista lato terminazioni</p>  	<p>Screw terminals with wire protection Section: 0.5-2,5 mm² (20-14 AWG)</p> <p><i>Terminali a vite con proteggi-filo</i> Per sezioni: 0,5-2,5 mm² (20-14 AWG)</p>	<p>7310.6104.0</p>
	 <p>Panel cut out for inserts For use without hood/housing Foratura di alloggiamento inserti Per uso senza custodie</p>	<p>Screw terminals without wire protection Section: 0.5-4 mm² (20-12 AWG)</p> <p><i>Terminali a vite senza proteggi-filo</i> Per sezioni: 0,5-4 mm² (20-12 AWG)</p>	<p>7310.6104.1</p>

Hood/housing size 10B «57x27»
Custodie grandezza 10B «57x27»

Dimensions in mm Part No. bold letters refer to standard availability.
Normal letters refer to items on special request.
Dimensioni in mm I codici in grassetto indicano i prodotti di normale disponibilità. Il carattere normale indica i prodotti speciali su richiesta.

Accessories, cable glands and tools see sections 50, 55 e 60
Accessori, pressacavi ed attrezzi vedere sezioni 50, 55 e 60



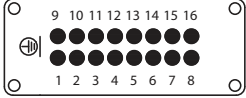
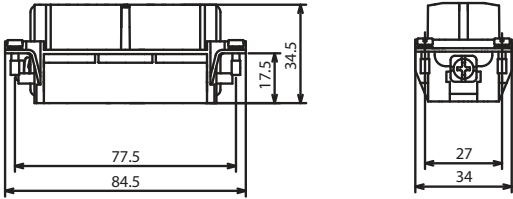
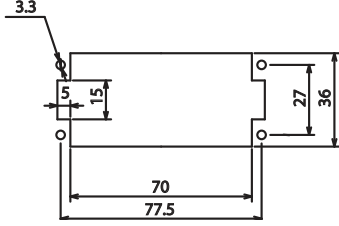


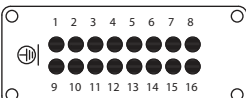
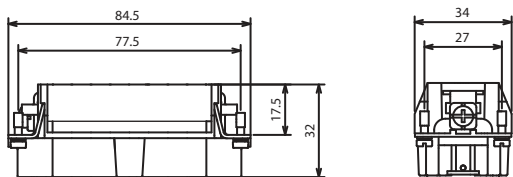
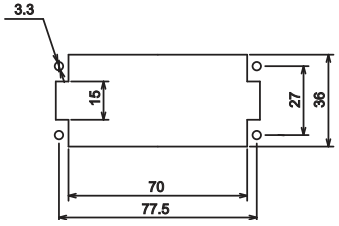
Inserts for crimp contacts Inserti per contatti a crimpare	Size 10B, 10p + \oplus	UL/CSA : 600 V	Part No. Codice
<p> Contact carrier for female contacts Inserto porta contatti per contatti femmina </p>   <p> In accordance with: DESINA specifications Secondo: ISO 23270-3 standard </p>  <p> Female crimp contacts 16A, 10 pcs Please order contacts separately, page 02.14 </p> <p> Contatti femmina a crimpare 16A, 10 pz Contatti da ordinare separatamente, pag. 02.14 </p>	<p> Contact arrangement View from termination side Disposizione contatti Vista lato terminazioni </p>    <p> Panel cut out for inserts For use without hood/housing Foratura di alloggiamento inserti Per uso senza custodia </p>		<p>7310.6062.0</p>
<p> Contact carrier for male contacts Inserto porta contatti per contatti maschio </p>   <p> In accordance with: DESINA specifications Secondo: ISO 23270-3 standard </p>  <p> Male crimp contacts 16A, 10 pcs Please order contacts separately, page 02.14 </p> <p> Contatti maschio a crimpare 16A, 10 pz Contatti da ordinare separatamente, pag. 02.14 </p>	<p> Contact arrangement View from termination side Disposizione contatti Vista lato terminazioni </p>    <p> Panel cut out for inserts For use without hood/housing Foratura di alloggiamento inserti Per uso senza custodia </p>		<p>7310.6162.0</p>
<p> Hood/housing size 10B «57x27» Custodie grandezza 10B «57x27» </p>	<p> Dimensions in mm Part No. bold letters refer to standard availability. Normal letters refer to items on special request. Dimensioni in mm I codici in grassetto indicano i prodotti di normale disponibilità. Il carattere normale indica i prodotti speciali su richiesta. </p>		<p> Accessories, cable glands and tools see sections 50, 55 e 60 Accessori, pressacavi ed attrezzi vedere sezioni 50, 55 e 60 </p>


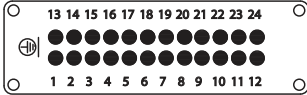
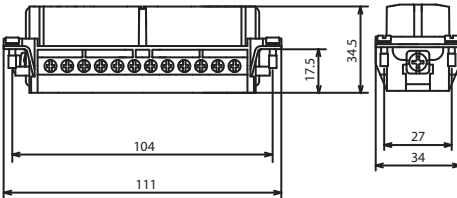
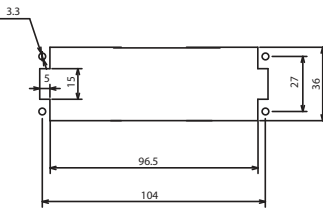

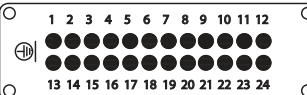
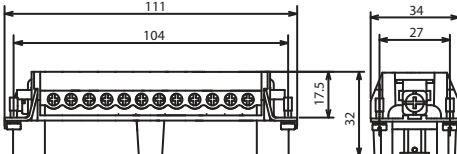
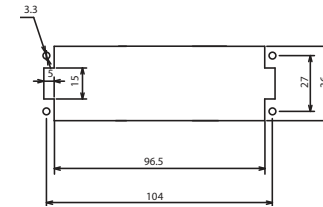
Screw terminal inserts Inserti con terminali a vite	Size 16B, 16p + ⊕ UL/CSA : 600 V	Type Tipo	Part No. Codice
<p>Female inserts Inserti femmina</p>  <p>In accordance with Euromap Recommendation No. 14-2 Secondo raccomandazioni Euromap No.14-2</p>  <p>Silver plated contacts with cross/slot screws Contatti argentati con viti con impronta combi taglio/croce</p>	<p>Contact arrangement View from termination side <i>Disposizione contatti</i> Vista lato terminazioni</p>    <p>Panel cut out for inserts For use without hood/housing <i>Foratura di alloggiamento inserti</i> Per uso senza custodie</p>	<p>Screw terminals with wire protection Section: 0.5-2,5 mm² (20-14 AWG)</p> <p><i>Terminali a vite con proteggi-filo</i> Per sezioni: 0,5-2,5 mm² (20-14 AWG)</p>	<p>7316.6005.0</p>
		<p>without wire protection Section: 0.5-4 mm² (20-12 AWG)</p> <p><i>Terminali a vite senza proteggi-filo</i> Per sezioni: 0,5-4 mm² (20-12 AWG)</p>	<p>7316.6005.1</p>
<p>Male inserts Inserti maschio</p>  <p>In accordance with Euromap Recommendation No. 14-2 Secondo raccomandazioni Euromap No.14-2</p>  <p>Silver plated contacts with cross/slot screws Contatti argentati con viti con impronta combi taglio/croce</p>	<p>Contact arrangement View from termination side <i>Disposizione contatti</i> Vista lato terminazioni</p>    <p>Panel cut out for inserts For use without hood/housing <i>Foratura di alloggiamento inserti</i> Per uso senza custodie</p>	<p>Screw terminals with wire protection Section: 0.5-2,5 mm² (20-14 AWG)</p> <p><i>Terminali a vite con proteggi-filo</i> Per sezioni: 0,5-2,5 mm² (20-14 AWG)</p>	<p>7316.6105.0</p>
		<p>without wire protection Section: 0.5-4 mm² (20-12 AWG)</p> <p><i>Terminali a vite senza proteggi-filo</i> Per sezioni: 0,5-4 mm² (20-12 AWG)</p>	<p>7316.6105.1</p>



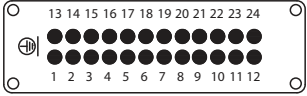
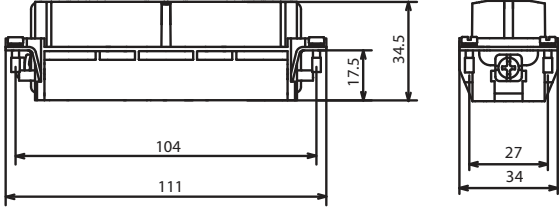
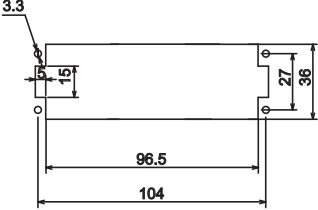


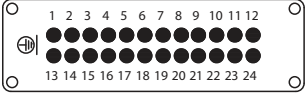
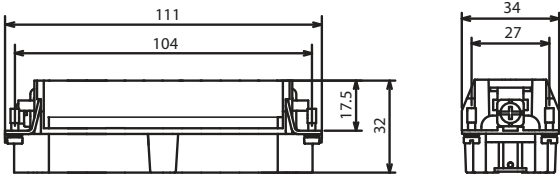
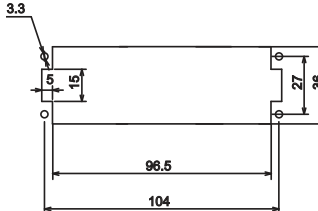
Hood/housing size 16B «77x27»
Custodie grandezza 16B «77x27»


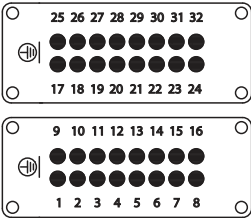
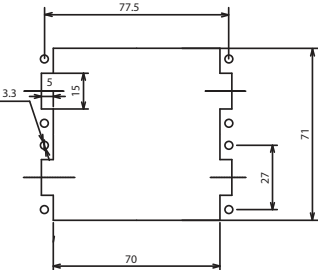

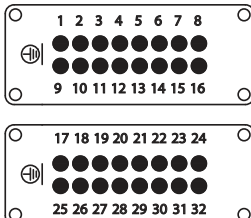
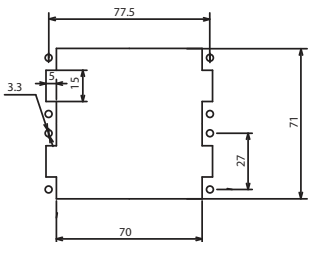
Dimensions in mm Part No. bold letters refer to standard availability.
Normal letters refer to items on special request.
Dimensioni in mm I codici in grassetto indicano i prodotti di normale disponibilità. Il carattere normale indica i prodotti speciali su richiesta.



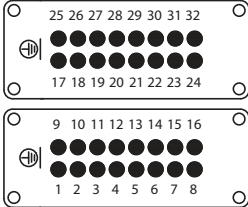
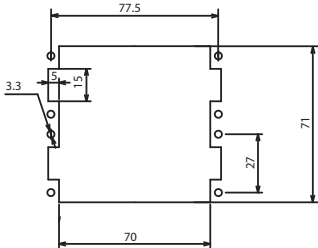


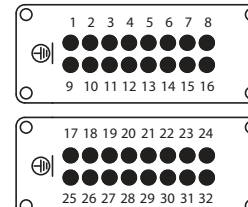
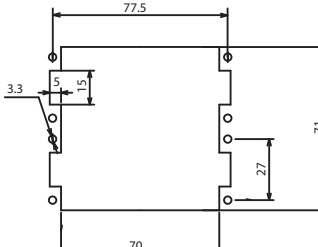
Accessories, cable glands and tools see sections 50, 55 e 60
Accessori, pressacavi ed attrezzi vedere sezioni 50, 55 e 60


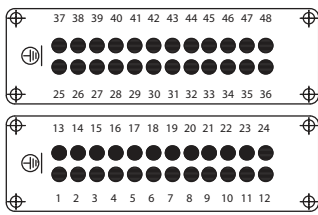
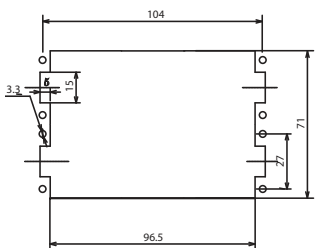

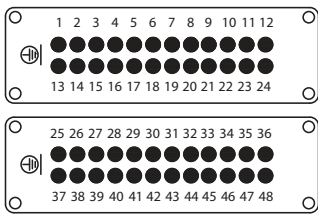
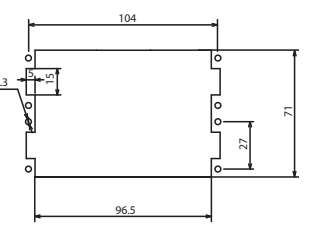
Inserts for crimp contacts Inserti per contatti a crimpare	Size 16B, 16p + ⚡	UL/CSA : 600 V	Part No. Codice
<p> Contact carrier for female contacts Inserto porta contatti per contatti femmina </p>  <p> In accordance with Euromap Recommendation No. 14-2 Secondo raccomandazioni Euromap No.14-2 </p>  <p> Female crimp contacts 16A, 16 pcs Please order contacts separately, page 02.14 </p> <p> Contatti femmina a crimpare 16A, 16 pz Contatti da ordinare separatamente, pag. 02.14 </p>	<p> Contact arrangement View from termination side Disposizione contatti Vista lato terminazioni </p>    <p> Panel cut out for inserts For use without hood/housing Foratura di alloggiamento inserti Per uso senza custodia </p>		<p style="text-align: center;">7316.6063.0</p>
<p> Contact carrier for male contacts Inserto porta contatti per contatti maschio </p>  <p> In accordance with Euromap Recommendation No. 14-2 Secondo raccomandazioni Euromap No.14-2 </p>  <p> Male crimp contacts 16A, 16 pcs Please order contacts separately, page 02.14 </p> <p> Contatti maschio a crimpare 16A, 16 pz Contatti da ordinare separatamente, pag. 02.14 </p>	<p> Contact arrangement View from termination side Disposizione contatti Vista lato terminazioni </p>    <p> Panel cut out for inserts For use without hood/housing Foratura di alloggiamento inserti Per uso senza custodia </p>		<p style="text-align: center;">7316.6163.0</p>
<p> Hood/housing size 16B «77x27» Custodie grandezza 16B «77x27» </p>	<p> Dimensions in mm Part No. bold letters refer to standard availability. Normal letters refer to items on special request. Dimensioni in mm I codici in grassetto indicano i prodotti di normale disponibilità. Il carattere normale indica i prodotti speciali su richiesta. </p>	<p> Accessories, cable glands and tools see sections 50, 55 e 60 Accessori, pressacavi ed attrezzi vedere sezioni 50, 55 e 60 </p>	



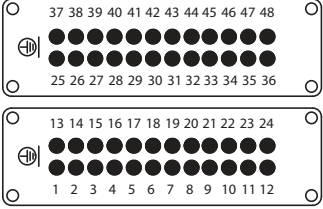
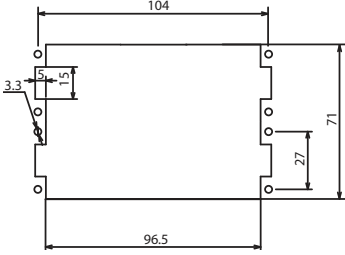


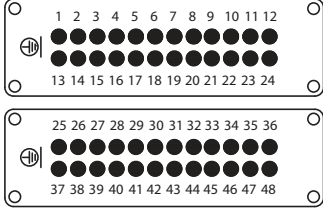
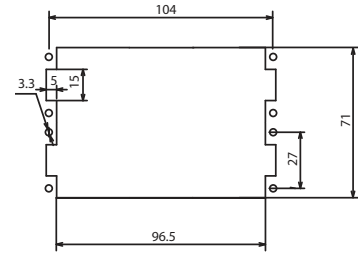
Screw terminal inserts Inserti con terminali a vite	Size 24B, 24p + ⊕ UL/CSA : 600 V	Type Tipo	Part No. Codice
<p>Female inserts Inserti femmina</p>  <p>UL US CSA CE RoHS</p> <p>Silver plated contacts with cross/slot screws Contatti argentati con viti con impronta combi taglio/croce</p>	<p>Contact arrangement View from termination side Disposizione contatti Vista lato terminazioni</p>    <p>Panel cut out for inserts For use without hood/housing Foratura di alloggiamento inserti Per uso senza custodie</p>	<p>Screw terminals with wire protection Section: 0.5-2,5 mm² (20-14 AWG)</p> <p><i>Terminali a vite con proteggi-filo</i> Per sezioni: 0,5-2,5 mm² (20-14 AWG)</p>	<p>7324.6007.0</p>
<p>Male inserts Inserti maschio</p>  <p>UL US CSA CE RoHS</p> <p>Silver plated contacts with cross/slot screws Contatti argentati con viti con impronta combi taglio/croce</p>	<p>Contact arrangement View from termination side Disposizione contatti Vista lato terminazioni</p>    <p>Panel cut out for inserts For use without hood/housing Foratura di alloggiamento inserti Per uso senza custodie</p>	<p>Screw terminals with wire protection Section: 0.5-2,5 mm² (20-14 AWG)</p> <p><i>Terminali a vite con proteggi-filo</i> Per sezioni: 0,5-2,5 mm² (20-14 AWG)</p>	<p>7324.6107.0</p>
<p>Hood/housing size 24B «104x27» Custodie grandezza 24B «104x27»</p>	<p>Dimensions in mm Part No. bold letters refer to standard availability. Normal letters refer to items on special request. Dimensioni in mm I codici in grassetto indicano i prodotti di normale disponibilità. Il carattere normale indica i prodotti speciali su richiesta.</p>	<p>Accessories, cable glands and tools see sections 50, 55 e 60 Accessori, pressacavi ed attrezzi vedere sezioni 50, 55 e 60</p>	


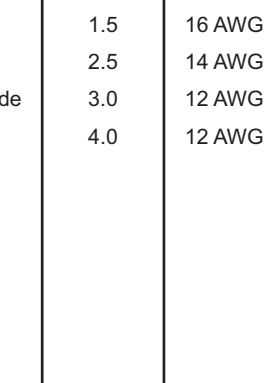
Inserts for crimp contacts <i>Inserti per contatti a crimpare</i>	Size 24B, 24p + ⊕ UL/CSA : 600 V	Part No. Codice
<p> Contact carrier for female contacts <i>Inserto porta contatti per contatti femmina</i> </p>  <p>  Female crimp contacts 16A, 24 pcs Please order contacts separately, page 02.14 <i>Contatti femmina a crimpare 16A, 24 pz</i> <i>Contatti da ordinare separatamente, pag. 02.14</i> </p>	<p> Contact arrangement View from termination side <i>Disposizione contatti</i> <i>Vista lato terminazioni</i> </p>    <p> Panel cut out for inserts For use without hood/housing <i>Foratura di alloggiamento inserti</i> <i>Per uso senza custodia</i> </p>	<p style="text-align: center;">7324.6065.0</p>
<p> Contact carrier for male contacts <i>Inserto porta contatti per contatti maschio</i> </p>  <p>  Male crimp contacts 16A, 24 pcs Please order contacts separately, page 02.14 <i>Contatti maschio a crimpare 16A, 24 pz</i> <i>Contatti da ordinare separatamente, pag. 02.14</i> </p>	<p> Contact arrangement View from termination side <i>Disposizione contatti</i> <i>Vista lato terminazioni</i> </p>    <p> Panel cut out for inserts For use without hood/housing <i>Foratura di alloggiamento inserti</i> <i>Per uso senza custodia</i> </p>	<p style="text-align: center;">7324.6165.0</p>
<p> Hood/housing size 24B «104x27» <i>Custodie grandezza 24B «104x27»</i> </p>	<p> Dimensions in mm Part No. bold letters refer to standard availability. Normal letters refer to items on special request. <i>Dimensioni in mm I codici in grassetto indicano i prodotti di normale</i> <i>disponibilità. Il carattere normale indica i prodotti speciali su richiesta.</i> </p>	<p> Accessories, cable glands and tools see sections 50, 55 e 60 <i>Accessori, pressacavi ed attrezzi</i> <i>vedere sezioni 50, 55 e 60</i> </p>

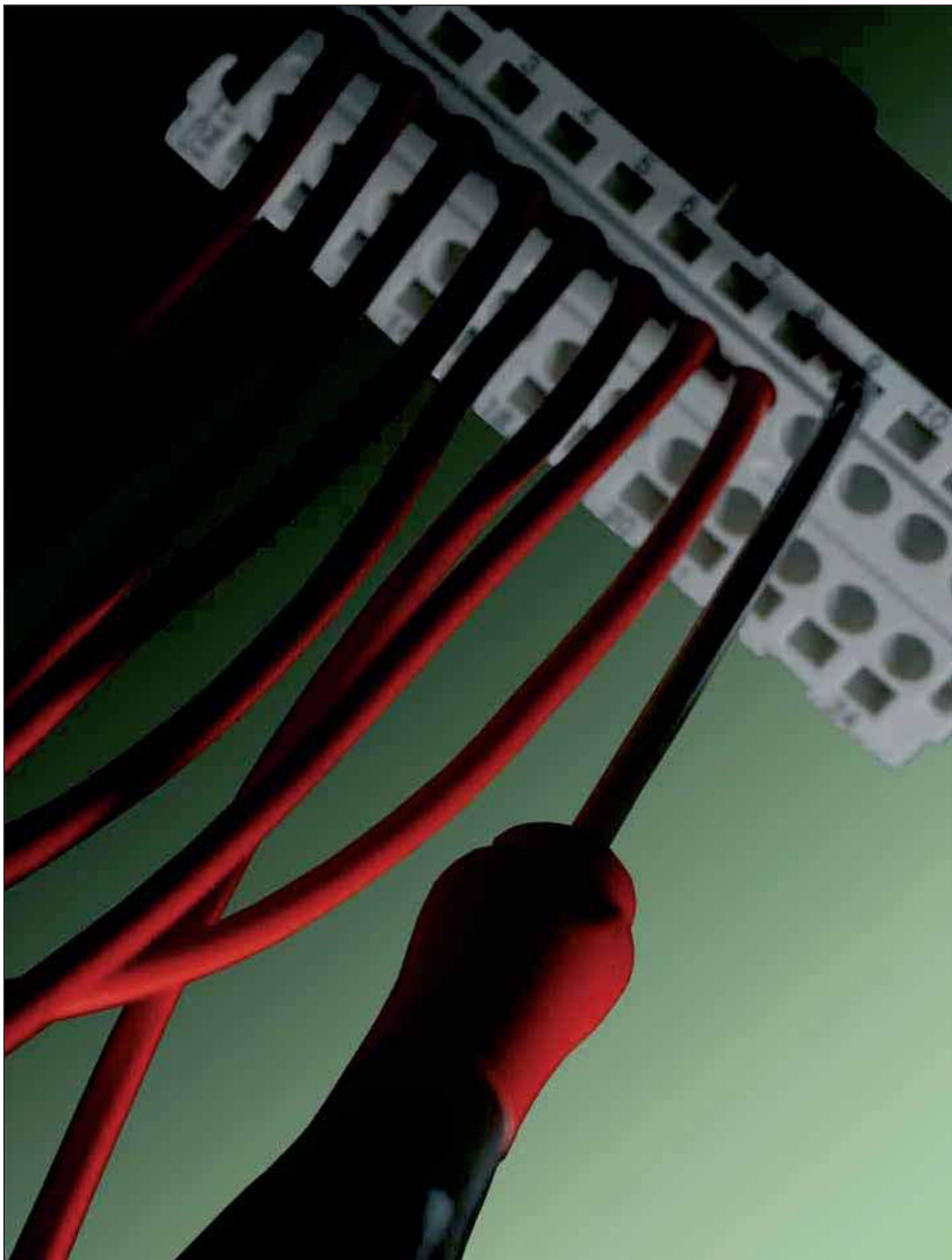
Screw terminal inserts Inserti con terminali a vite	Size 32B, 32p + ⊕ UL/CSA : 600 V	Numbering Numerazione	Type Tipo	Part No. Codice		
<p>Female inserts Inserti femmina</p>  <p>UL CSA CE RoHS</p> <p>Silver plated contacts with cross/slot screws Contatti argentati con viti con impronta combi taglio/croce</p>	<p>Inserts dimensions see page 02.06 Dimensioni degli inserti vedere pag. 02.06</p>  <p>Contact arrangement View from termination side Disposizione contatti Vista lato terminazioni</p>  <p>Panel cut out for inserts For use without hood/housing Foratura di alloggiamento inserti Per uso senza custodie</p>	<p>1-16</p> <p>17-32</p>	<p>Screw terminals with wire protection Section: 0.5-2,5 mm² (20-14 AWG)</p> <p>Terminali a vite con proteggi-filo Per sezioni: 0,5-2,5 mm² (20-14 AWG)</p>	<p>7316.6005.0</p> <p>7316.6006.0</p>		
		<p>1-16</p> <p>17-32</p>	<p>without wire protection Section: 0.5-4 mm² (20-12 AWG)</p> <p>Terminali a vite senza proteggi-filo Per sezioni: 0,5-4 mm² (20-12 AWG)</p>	<p>7316.6005.1</p> <p>7316.6006.1</p>		
		<p>Male inserts Inserti maschio</p>  <p>UL CSA CE RoHS</p> <p>Silver plated contacts with cross/slot screws Contatti argentati con viti con impronta combi taglio/croce</p>	<p>Inserts dimensions see page 02.06 Dimensioni degli inserti vedere pag. 02.06</p>  <p>Contact arrangement View from termination side Disposizione contatti Vista lato terminazioni</p>  <p>Panel cut out for inserts For use without hood/housing Foratura di alloggiamento inserti Per uso senza custodie</p>	<p>1-16</p> <p>17-32</p>	<p>Screw terminals with wire protection Section: 0.5-2,5 mm² (20-14 AWG)</p> <p>Terminali a vite con proteggi-filo Per sezioni: 0,5-2,5 mm² (20-14 AWG)</p>	<p>7316.6105.0</p> <p>7316.6106.0</p>
				<p>1-16</p> <p>17-32</p>	<p>without wire protection Section: 0.5-4 mm² (20-12 AWG)</p> <p>Terminali a vite senza proteggi-filo Per sezioni: 0,5-4 mm² (20-12 AWG)</p>	<p>7316.6105.1</p> <p>7316.6106.1</p>
<p>Hood/housing size 32B «77x62» Custodie grandezza 32B «77x62»</p> <p>Dimensions in mm Part No. bold letters refer to standard availability. Normal letters refer to items on special request. Dimensioni in mm I codici in grassetto indicano i prodotti di normale disponibilità. Il carattere normale indica i prodotti speciali su richiesta.</p>			<p>Accessories, cable glands and tools see sections 50, 55 e 60 Accessori, pressacavi ed attrezzi vedere sezioni 50, 55 e 60</p>			





Inserts for crimp contacts Inserti per contatti a crimpare	Size 32B, 32p + Ⓢ UL/CSA : 600 V	Numbering Numerazione	Part No. Codice
<p> Contact carriers for female contacts Inserti porta contatti per contatti femmina </p>  <p>  </p> <p> Female crimp contacts 16A, 32 pcs Please order contacts separately, page 02.14 </p> <p> Contatti femmina a crimpare 16A, 32 pz Contatti da ordinare separatamente, pag. 02.14 </p>	<p> Inserts dimensions see page 02.07 Dimensioni degli inserti vedere pag. 02.07 </p>  <p> Contact arrangement View from termination side Disposizione contatti Vista lato terminazioni </p>  <p> Panel cut out for inserts For use without hood/housing Foratura di alloggiamento inserti Per uso senza custodia </p>	<p>1-16</p> <p>17-32</p>	<p>7316.6063.0</p> <p>7316.6064.0</p>
<p> Contact carriers for male contacts Inserti porta contatti per contatti maschio </p>  <p>  </p> <p> Male crimp contacts 16A, 32 pcs Please order contacts separately, page 02.14 </p> <p> Contatti maschio a crimpare 16A, 32 pz Contatti da ordinare separatamente, pag. 02.14 </p>	<p> Inserts dimensions see page 02.07 Dimensioni degli inserti vedere pag. 02.07 </p>  <p> Contact arrangement View from termination side Disposizione contatti Vista lato terminazioni </p>  <p> Panel cut out for inserts For use without hood/housing Foratura di alloggiamento inserti Per uso senza custodia </p>	<p>1-16</p> <p>17-32</p>	<p>7316.6163.0</p> <p>7316.6164.0</p>
<p> Hood/housing size 32B «77x62» Custodie grandezza 32B «77x62» </p>	<p> Dimensions in mm Part No. bold letters refer to standard availability. Normal letters refer to items on special request. Dimensioni in mm I codici in grassetto indicano i prodotti di normale disponibilità. Il carattere normale indica i prodotti speciali su richiesta. </p>	<p> Accessories, cable glands and tools see sections 50, 55 e 60 Accessori, pressacavi ed attrezzi vedere sezioni 50, 55 e 60 </p>	


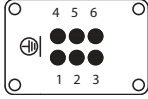
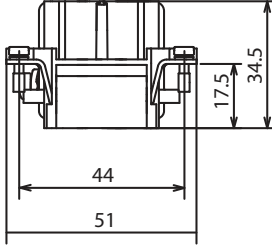
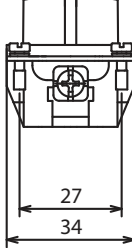
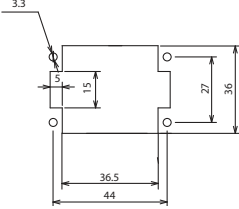

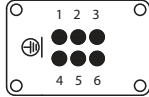
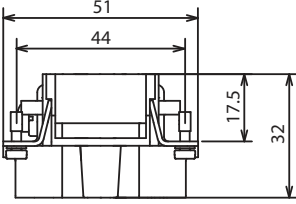
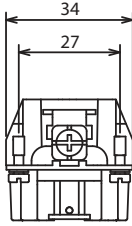
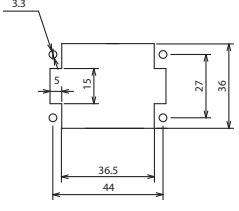
Screw terminal inserts Inserti con terminali a vite	Size 48B 48p + ⚡ UL/CSA : 600 V	Numbering Numerazione	Type Tipo	Part No. Codice
<p>Female inserts Inserti femmina</p>  <p>UL CSA CE RoHS</p> <p>Silver plated contacts with cross/slot screws Contatti argentati con viti con impronta combi taglio/croce</p>	<p>Inserts dimensions see page 02.08 Dimensioni degli inserti vedere pag. 02.08</p>  <p>Contact arrangement View from termination side Disposizione contatti Vista lato terminazioni</p>  <p>Panel cut out for inserts For use without hood/housing Foratura di alloggiamento inserti Per uso senza custodie</p>	<p>1-24</p> <p>25-48</p>	<p>Screw terminals with wire protection Section: 0.5-2,5 mm² (20-14 AWG)</p> <p>Terminali a vite con proteggi-filo Per sezioni: 0,5-2,5 mm² (20-14 AWG)</p>	<p>7324.6007.0</p> <p>7324.6008.0</p>
<p>Male inserts Inserti maschio</p>  <p>UL CSA CE RoHS</p> <p>Silver plated contacts with cross/slot screws Contatti argentati con viti con impronta combi taglio/croce</p>	<p>Inserts dimensions see page 02.08 Dimensioni degli inserti vedere pag. 02.08</p>  <p>Contact arrangement View from termination side Disposizione contatti Vista lato terminazioni</p>  <p>Panel cut out for inserts For use without hood/housing Foratura di alloggiamento inserti Per uso senza custodie</p>	<p>1-24</p> <p>25-48</p>	<p>Screw terminals with wire protection Section: 0.5-2,5 mm² (20-14 AWG)</p> <p>Terminali a vite con proteggi-filo Per sezioni: 0,5-2,5 mm² (20-14 AWG)</p>	<p>7324.6107.0</p> <p>7324.6108.0</p>
<p>Hood/housing size 48B «104x62» Custodie grandezza 48B «104x62»</p>	<p>Dimensions in mm Part No. bold letters refer to standard availability. Normal letters refer to items on special request. Dimensioni in mm I codici in grassetto indicano i prodotti di normale disponibilità. Il carattere normale indica i prodotti speciali su richiesta.</p>	<p>Accessories, cable glands and tools see sections 50, 55 e 60 Accessori, pressacavi ed attrezzi vedere sezioni 50, 55 e 60</p>		




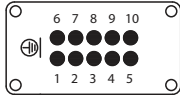
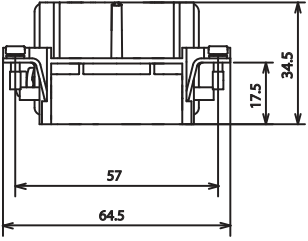
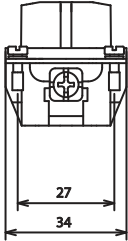
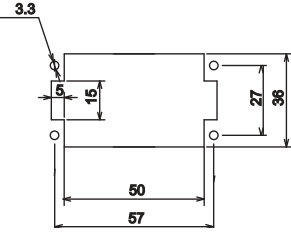



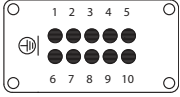
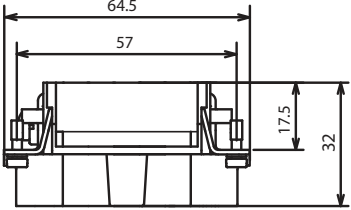
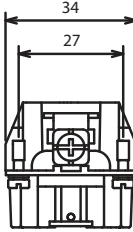
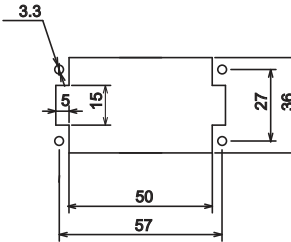
Inserts for crimp contacts Inserti per contatti a crimpare	Size 48B, 48p + ⊕ UL/CSA : 600 V	Numbering Numerazione	Part No. Codice
<p> Contact carriers for female contacts Inserti porta contatti per contatti femmina </p>  <p>  </p> <p> Female crimp contacts 16A, 48 pcs Please order contacts separately, page 02.14 </p> <p> Contatti femmina a crimpare 16A, 48 pz Contatti da ordinare separatamente, pag. 02.14 </p>	<p> Inserts dimensions see page 02.09 Dimensioni degli inserti vedere pag. 02.09 </p>  <p> Contact arrangement View from termination side Disposizione contatti Vista lato terminazioni </p>  <p> Panel cut out for inserts For use without hood/housing Foratura di alloggiamento inserti Per uso senza custodia </p>	<p>1-24</p> <p>25-48</p>	<p>7324.6065.0</p> <p>7324.6066.0</p>
<p> Contact carriers for male contacts Inserti porta contatti per contatti maschio </p>  <p>  </p> <p> Male crimp contacts 16A, 48 pcs Please order contacts separately, page 02.14 </p> <p> Contatti maschio a crimpare 16A, 48 pz Contatti da ordinare separatamente, pag. 02.14 </p>	<p> Inserts dimensions see page 02.09 Dimensioni degli inserti vedere pag. 02.09 </p>  <p> Contact arrangement View from termination side Disposizione contatti Vista lato terminazioni </p>  <p> Panel cut out for inserts For use without hood/housing Foratura di alloggiamento inserti Per uso senza custodia </p>	<p>1-24</p> <p>25-48</p>	<p>7324.6165.0</p> <p>7324.6166.0</p>
<p> Hood/housing size 48B «104x62» Custodie grandezza 48B «104x62» </p>	<p> Dimensions in mm Part No. bold letters refer to standard availability. Normal letters refer to items on special request. Dimensioni in mm I codici in grassetto indicano i prodotti di normale disponibilità. Il carattere normale indica i prodotti speciali su richiesta. </p>	<p> Accessories, cable glands and tools see sections 50, 55 e 60 Accessori, pressacavi ed attrezzi vedere sezioni 50, 55 e 60 </p>	



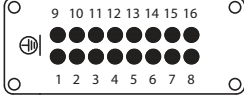
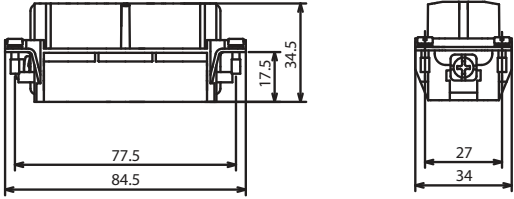
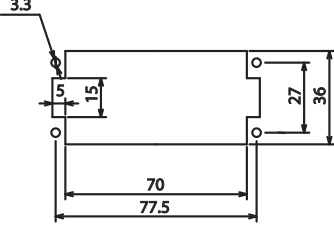


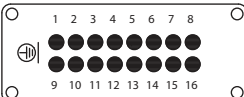
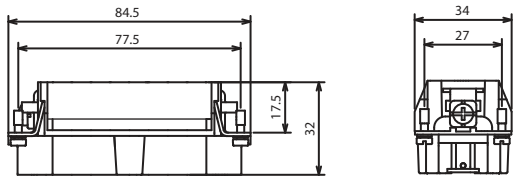
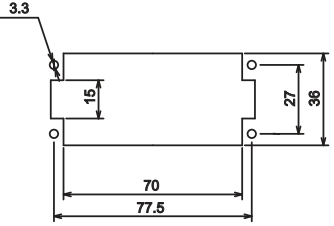
Female crimp contacts, turned Contatti femmina a crimpare torniti	No. of grooves Num. gole	Wire mm ² Filo mm ²	Wire gauge Calibro filo	Part No.- Codice		
				Silver plated Argentati	Gold plated Dorati	
 <p> <ul style="list-style-type: none"> - Material: Copper alloy - Materiale: Lega di rame - Surface: Hard silver or hard gold - Finitura: Argentati o dorati - Stripping length: 7,5 mm - Lunghezza di spellatura: 7,5 mm - Identification: By Grooves - Identificazione: Tramite gole </p>	0	0.14 - 0.37	26-22 AWG	7300.6240.0	7300.6240.1	
	0	0.5	20 AWG	7300.6241.0	7300.6241.1	
	1	0.75	18 AWG	7300.6239.0	7300.6239.1	
	1	1.0	18 AWG	7300.6242.0	7300.6242.1	
	2	1.5	16 AWG	7300.6243.0	7300.6243.1	
	3	2.5	14 AWG	7300.6244.0	7300.6244.1	
	1 Wide	3.0	12 AWG	7300.6238.0	7300.6238.1	
	0	4.0	12 AWG	7300.6245.0	7300.6245.1	
	<p>For the best performance and the lowest contact resistance, Molex recommends the use of manual tools, die sets and machines illustrated in the section 60 of this catalogue</p> <p><i>Per le migliori caratteristiche e la minima resistenza di contatto, si raccomanda l'utilizzo delle pinze manuali, gli applicatori e le macchine illustrate nella sezione 60 di questo catalogo</i></p>					
	Male crimp contacts, turned Contatti maschio a crimpare torniti	No. of grooves Num. gole	Wire mm ² Filo mm ²	Wire gauge Calibro filo	Part No.- Codice	
 <p> <ul style="list-style-type: none"> - Material: Copper alloy - Materiale: Lega di rame - Surface: Hard silver or hard gold - Finitura: Argentati o dorati - Stripping length: 7,5 mm - Lunghezza di spellatura: 7,5 mm - Identification: By grooves - Identificazione: Tramite gole </p>	0	0.14 - 0.37	26-22 AWG	7300.6237.0	7300.6237.1	
	0	0.5	20 AWG	7300.6246.0	7300.6246.1	
	1	0.75	18 AWG	7300.6236.0	7300.6236.1	
	1	1.0	18 AWG	7300.6247.0	7300.6247.1	
	2	1.5	16 AWG	7300.6248.0	7300.6248.1	
	3	2.5	14 AWG	7300.6249.0	7300.6249.1	
	1 Wide	3.0	12 AWG	7300.6235.0	7300.6235.1	
	0	4.0	12 AWG	7300.6250.0	7300.6250.1	
	<p>For the best performance and the lowest contact resistance, Molex recommends the use of manual tools, die sets and machines illustrated in the section 60 of this catalogue</p> <p><i>Per le migliori caratteristiche e la minima resistenza di contatto, si raccomanda l'utilizzo delle pinze manuali, gli applicatori e le macchine illustrate nella sezione 60 di questo catalogo</i></p>					
	For inserts - Per inserti: S-AC, S-EC, S-EE, S-EEE, S-K, S-EHV, S-Q, S-QD, S-M	Dimensions in mm Part No. bold letters refer to standard availability. Normal letters refer to items on special request. Dimensioni in mm I codici in grassetto indicano i prodotti di normale disponibilità. Il carattere normale indica i prodotti speciali su richiesta.			Crimping tools: see section 60 Attrezzi per crimpare: vedere sezione 60	


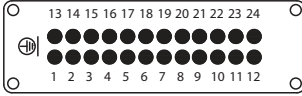
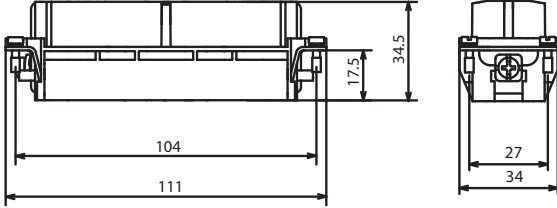
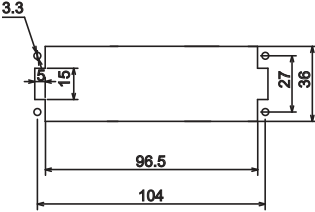

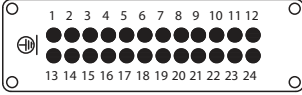
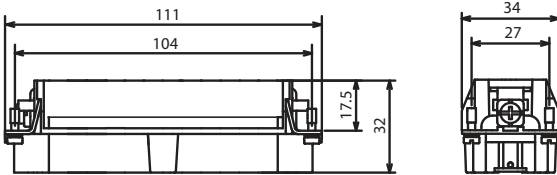
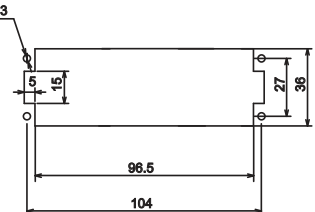



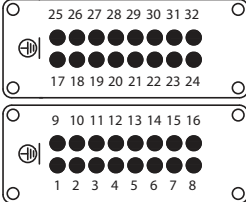
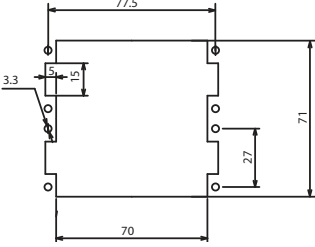

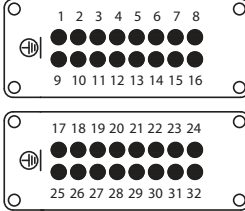
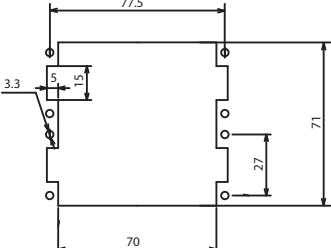
Technical characteristics	Caratteristiche tecniche																				
<p>Specifications: EN 61984, EN 60664-1 UL 1977 CSA C22.2 No 182.3</p> <p>Approvals:  (UL, CSA)</p> <p>Number of contacts 6,10,16, 24,32 (16x2), 48 (24x2) + \oplus</p> <p>Electrical data acc. to EN 61984</p> <table border="1" data-bbox="135 638 718 795"> <tr> <td></td> <td>16A 500V 6kV 3</td> </tr> <tr> <td>Working current</td> <td>_____</td> </tr> <tr> <td>Working voltage</td> <td>_____</td> </tr> <tr> <td>Rated impulse voltage</td> <td>_____</td> </tr> <tr> <td>Pollution degree</td> <td>_____</td> </tr> </table> <p>Pollution degree 2 also 16A 400/690V 6kV 2</p> <p>Current carrying capacity: Please refer to "Electrical engineering data" page 00.31</p> <p>Working voltage acc. to UL/CSA 600V Insulation resistance $\geq 10^{10} \Omega$ Material Polycarbonate Limiting temperatures - 40 °C ... + 125 °C Flammability acc. to UL 94 V0 - GWT 960° Mechanical working life ≥ 500 cycles</p> <p>Contacts:</p> <p>Material Copper alloy Surface Silver plated Gold plated Contact resistance $\leq 3 \text{ m} \Omega$</p> <p>Spring terminal - Wire mm² 0,14+2.5 mm² - AWG 26 ÷ 14 - Stripping length 9 ÷ 11 mm</p> <p>For solid or stranded wires</p> <p>Recommended enclosures: Section:21,22,23,25,26,27,30</p> <p>Type STD, HE, EMC, HP-HE</p> <p>Material Die cast aluminium Surface Powder coated Locking elements With metal lever or screw Hoods/Housings seal NBR Limiting temperatures -40 °C ... + 125 °C Degree of protection acc. to EN 60529 for coupled connectors IP66 or IP68 (HP-HE) Thread Metric - EN 50262 Pg - DIN 40430</p> <p>Wire insertion tool: 0,4x2,5 screwdriver Part. No. 8500.7979.0</p>		16A 500V 6kV 3	Working current	_____	Working voltage	_____	Rated impulse voltage	_____	Pollution degree	_____	<p>Norme di riferimento: EN 61984, EN 60664-1 UL 1977 CSA C22.2 No 182.3</p> <p>Approvazioni:  (UL, CSA)</p> <p>Numero dei contatti 6,10,16, 24,32 (16x2), 48 (24x2) + \oplus</p> <p>Caratteristiche elettriche secondo EN 61984</p> <table border="1" data-bbox="837 638 1428 795"> <tr> <td></td> <td>16A 500V 6kV 3</td> </tr> <tr> <td>Corrente nominale</td> <td>_____</td> </tr> <tr> <td>Tensione nominale</td> <td>_____</td> </tr> <tr> <td>Tensione ad impulso</td> <td>_____</td> </tr> <tr> <td>Grado di inquinamento</td> <td>_____</td> </tr> </table> <p>Con grado di inquinamento 2 16A 400/690V 6kV 2</p> <p>Portata di corrente: Vedere pag. 00.31 "Caratteristiche elettriche"</p> <p>Tensione nominale secondo UL/CSA 600V Resistenza di isolamento $\geq 10^{10} \Omega$ Materiale Polycarbonate Limiti di temperature - 40 °C ... + 125 °C Autoestinguenza UL 94 V0 - GWT 960° Vita meccanica ≥ 500 cicli</p> <p>Contatti:</p> <p>Materiale Lega di rame Finitura: Argentati Dorati Resistenza di contatto $\leq 3 \text{ m} \Omega$</p> <p>Terminali a molla - Filo mm² 0.14+2.5 mm² - AWG 26 ÷ 14 - Lunghezza di spellatura 9 ÷ 11 mm</p> <p>Per fili rigidi o flessibili</p> <p>Custodie suggerite: Sezioni: 21,22,23,25,26,27,30</p> <p>Tipo STD, HE, EMC, HP-HE</p> <p>Materiale Fusione di alluminio Superficie Verniciatura a polvere Dispositivo di chiusura Con leva metallica o viti Guarnizione NBR Limiti di temperature -40 °C ... + 125 °C Grado di protezione secondo EN 60529 connettori accoppiati IP66 o IP68 (HP-HE) Filettature Metrica - EN 50262 Pg - DIN 40430</p> <p>Utensile inseritore del conduttore: Cacciavite 0,4x2,5 Cod. 8500.7979.0</p>		16A 500V 6kV 3	Corrente nominale	_____	Tensione nominale	_____	Tensione ad impulso	_____	Grado di inquinamento	_____
	16A 500V 6kV 3																				
Working current	_____																				
Working voltage	_____																				
Rated impulse voltage	_____																				
Pollution degree	_____																				
	16A 500V 6kV 3																				
Corrente nominale	_____																				
Tensione nominale	_____																				
Tensione ad impulso	_____																				
Grado di inquinamento	_____																				
<p></p> <p>According to EN61984 connectors should not be coupled and decoupled under electrical load.</p>	<p></p> <p>Secondo la norma EN61984 i connettori non devono essere connessi e sconnessi sotto carico</p>																				


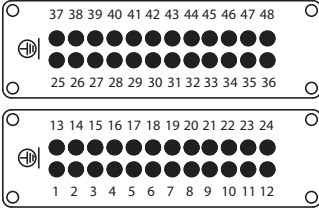
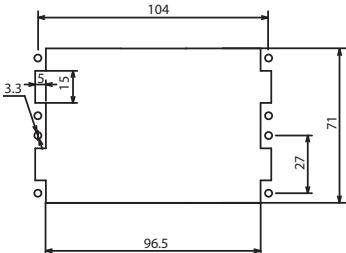

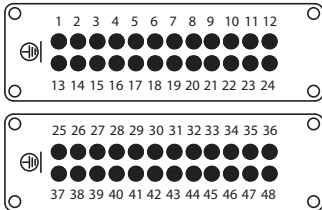
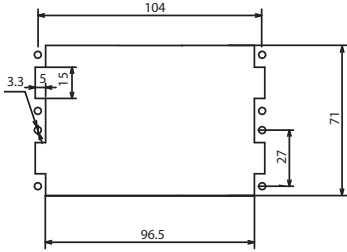
Spring terminal inserts Inserti con terminali a molla	Size 6B, 6p + ⊕ UL/CSA : 600V	Part No. Codice
<p>Female insert Inserto femmina</p>  <p>UL CSA CE (RoHS)</p> <p>For solid or stranded wires Per fili rigidi o flessibili</p>	<p>Contact arrangement View from termination side <i>Disposizione contatti</i> <i>Vista lato terminazioni</i></p>     <p>Panel cut out for inserts For use without hood/housing <i>Foratura di alloggiamento inserti</i> <i>Per uso senza custodia</i></p>	<p>7306.5851.0</p>
<p>Male insert Inserto maschio</p>  <p>UL CSA CE (RoHS)</p> <p>For solid or stranded wires Per fili rigidi o flessibili</p>	<p>Contact arrangement View from termination side <i>Disposizione contatti</i> <i>Vista lato terminazioni</i></p>     <p>Panel cut out for inserts For use without hood/housing <i>Foratura di alloggiamento inserti</i> <i>Per uso senza custodia</i></p>	<p>7306.5951.0</p>
<p>Hood/housing size 6B «44x27» Custodie grandezza 6B «44x27»</p>	<p>Dimensions in mm Part No. bold letters refer to standard availability. Normal letters refer to items on special request. <i>Dimensioni in mm I codici in grassetto indicano i prodotti di normale disponibilità. Il carattere normale indica i prodotti speciali su richiesta.</i></p>	<p>Accessories, cable glands and tools see sections 50, 55 e 60 <i>Accessori, pressacavi ed attrezzi vedere sezioni 50, 55 e 60</i></p>

Spring terminal inserts <i>Inserti con terminali a molla</i>	Size 10B, 10p + Ⓢ UL/CSA : 600V	Part No. Codice
<p>Female insert <i>Inserto femmina</i></p>  <p> In accordance with: DESINA specifications Secondo: ISO 23270-3 standard</p> <p> For solid or stranded wires Per fili rigidi o flessibili</p>	<p>Contact arrangement View from termination side <i>Disposizione contatti</i> <i>Vista lato terminazioni</i></p>     <p>Panel cut out for inserts For use without hood/housing <i>Foratura di alloggiamento inserti</i> <i>Per uso senza custodia</i></p>	<p>7310.5852.0</p>
<p>Male insert <i>Inserto maschio</i></p>  <p> In accordance with: DESINA specifications Secondo: ISO 23270-3 standard</p> <p> For solid or stranded wires Per fili rigidi o flessibili</p>	<p>Contact arrangement View from termination side <i>Disposizione contatti</i> <i>Vista lato terminazioni</i></p>     <p>Panel cut out for inserts For use without hood/housing <i>Foratura di alloggiamento inserti</i> <i>Per uso senza custodia</i></p>	<p>7310.5952.0</p>
<p>Hood/housing size 10B «57x27» <i>Custodie grandezza 10B «57x27»</i></p>	<p>Dimensions in mm Part No. bold letters refer to standard availability. Normal letters refer to items on special request. <i>Dimensioni in mm I codici in grassetto indicano i prodotti di normale disponibilità. Il carattere normale indica i prodotti speciali su richiesta.</i></p>	<p>Accessories, cable glands and tools see sections 50, 55 e 60 <i>Accessori, pressacavi ed attrezzi vedere sezioni 50, 55 e 60</i></p>

Spring terminal inserts <i>Inserti con terminali a molla</i>	Size 16B, 16p + ⚡ UL/CSA : 600V	Part No. Codice
<p>Female insert <i>Inserto femmina</i></p>  <p>In accordance with Euromap Recommendation No. 14-2 Secondo raccomandazioni Euromap No.14-2</p>  <p>For solid or stranded wires <i>Per fili rigidi o flessibili</i></p>	<p>Contact arrangement View from termination side <i>Disposizione contatti</i> <i>Vista lato terminazioni</i></p>    <p>Panel cut out for inserts For use without hood/housing <i>Foratura di alloggiamento inserti</i> <i>Per uso senza custodia</i></p>	<p>7316.5853.0</p>
<p>Male insert <i>Inserto maschio</i></p>  <p>In accordance with Euromap Recommendation No. 14-2 Secondo raccomandazioni Euromap No.14-2</p>  <p>For solid or stranded wires <i>Per fili rigidi o flessibili</i></p>	<p>Contact arrangement View from termination side <i>Disposizione contatti</i> <i>Vista lato terminazioni</i></p>    <p>Panel cut out for inserts For use without hood/housing <i>Foratura di alloggiamento inserti</i> <i>Per uso senza custodia</i></p>	<p>7316.5953.0</p>
<p>Hood/housing size 16B «77x27» <i>Custodie grandezza 16B «77x27»</i></p>	<p>Dimensions in mm Part No. bold letters refer to standard availability. Normal letters refer to items on special request. <i>Dimensioni in mm I codici in grassetto indicano i prodotti di normale disponibilità. Il carattere normale indica i prodotti speciali su richiesta.</i></p>	<p>Accessories, cable glands and tools see sections 50, 55 e 60 <i>Accessori, pressacavi ed attrezzi vedere sezioni 50, 55 e 60</i></p>

Spring terminal inserts <i>Inserti con terminali a molla</i>		Size 24B, 24p + ⊕	UL/CSA : 600 V	Part No. <i>Codice</i>
<p>Female insert <i>Inserto femmina</i></p>  <p>UL SP CE RoHS</p> <p>For solid or stranded wires <i>Per fili rigidi o flessibili</i></p>	<p>Contact arrangement View from termination side <i>Disposizione contatti</i> <i>Vista lato terminazioni</i></p>   <p>Panel cut out for inserts For use without hood/housing <i>Foratura di alloggiamento inserti</i> <i>Per uso senza custodia</i></p> 	<p>7324.5855.0</p>		
<p>Male insert <i>Inserto maschio</i></p>  <p>UL SP CE RoHS</p> <p>For solid or stranded wires <i>Per fili rigidi o flessibili</i></p>	<p>Contact arrangement View from termination side <i>Disposizione contatti</i> <i>Vista lato terminazioni</i></p>   <p>Panel cut out for inserts For use without hood/housing <i>Foratura di alloggiamento inserti</i> <i>Per uso senza custodia</i></p> 	<p>7324.5955.0</p>		
<p>Hood/housing size 24B «104x27» <i>Custodie grandezza 24B «104x27»</i></p>	<p>Dimensions in mm Part No. bold letters refer to standard availability. Normal letters refer to items on special request. <i>Dimensioni in mm I codici in grassetto indicano i prodotti di normale disponibilità. Il carattere normale indica i prodotti speciali su richiesta.</i></p>	<p>Accessories, cable glands and tools see sections 50, 55 e 60 <i>Accessori, pressacavi ed attrezzi vedere sezioni 50, 55 e 60</i></p>		

Spring terminal inserts Inserti con terminali a molla	Size 32B, 32p + ⊕ UL/CSA : 600 V	Numbering Numerazione	Part No. Codice
<p>Female inserts Inserti femmina</p>  <p>UL CSA CE RoHS</p> <p>For solid or stranded wires Per fili rigidi o flessibili</p>	<p>Inserts dimensions see page 02.28 Dimensioni degli inserti vedere pag. 02.28</p>  <p>Contact arrangement View from termination side Disposizione contatti Vista lato terminazioni</p>  <p>Panel cut out for inserts For use without hood/housing Foratura di alloggiamento inserti Per uso senza custodia</p>	<p>1-16</p> <p>17-32</p>	<p>7316.5853.0</p> <p>7316.5854.0</p>
<p>Male inserts Inserti maschio</p>  <p>UL CSA CE RoHS</p> <p>For solid or stranded wires Per fili rigidi o flessibili</p>	<p>Inserts dimensions see page 02.28 Dimensioni degli inserti vedere pag. 02.28</p>  <p>Contact arrangement View from termination side Disposizione contatti Vista lato terminazioni</p>  <p>Panel cut out for inserts For use without hood/housing Foratura di alloggiamento inserti Per uso senza custodia</p>	<p>1-16</p> <p>17-32</p>	<p>7316.5953.0</p> <p>7316.5954.0</p>
<p>Hood/housing size 32B «77x62» Custodie grandezza 32B «77x62»</p>	<p>Dimensions in mm Part No. bold letters refer to standard availability. Normal letters refer to items on special request. Dimensioni in mm I codici in grassetto indicano i prodotti di normale disponibilità. Il carattere normale indica i prodotti speciali su richiesta.</p>	<p>Accessories, cable glands and tools see sections 50, 55 e 60 Accessori, pressacavi ed attrezzi vedere sezioni 50, 55 e 60</p>	



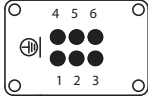
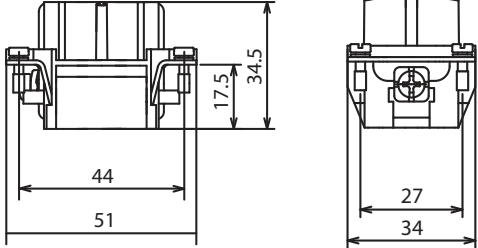
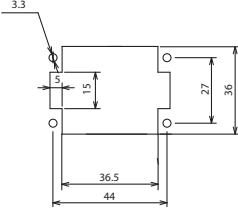


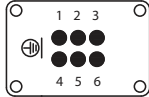
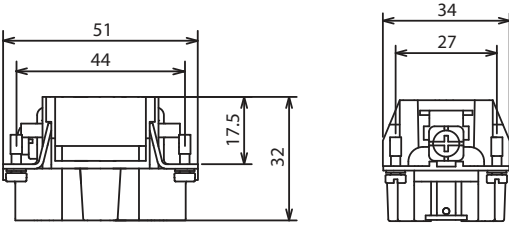
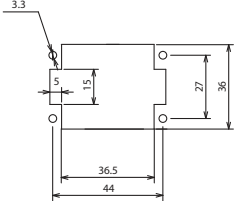
Spring terminal inserts <i>Inserti con terminali a molla</i>	Size 48B, 48p + ⊕ UL/CSA : 600 V	Numbering <i>Numerazione</i>	Part No. <i>Codice</i>
<p>Female inserts <i>Inserti femmina</i></p>  <p>UL CSA CE RoHS</p> <p>For solid or stranded wires <i>Per fili rigidi o flessibili</i></p>	<p>Inserts dimensions see page 02.29 <i>Dimensioni degli inserti vedere pag. 02.29</i></p>  <p>Contact arrangement View from termination side <i>Disposizione contatti</i> <i>Vista lato terminazioni</i></p>  <p>Panel cut out for inserts For use without hood/housing <i>Foratura di alloggiamento inserti</i> <i>Per uso senza custodia</i></p>	<p>1-24</p> <p>25-48</p>	<p>7324.5855.0</p> <p>7324.5856.0</p>
<p>Male inserts <i>Inserti maschio</i></p>  <p>UL CSA CE RoHS</p> <p>For solid or stranded wires <i>Per fili rigidi o flessibili</i></p>	<p>Inserts dimensions see page 02.29 <i>Dimensioni degli inserti vedere pag. 02.29</i></p>  <p>Contact arrangement View from termination side <i>Disposizione contatti</i> <i>Vista lato terminazioni</i></p>  <p>Panel cut out for inserts For use without hood/housing <i>Foratura di alloggiamento inserti</i> <i>Per uso senza custodia</i></p>	<p>1-24</p> <p>25-48</p>	<p>7324.5955.0</p> <p>7324.5956.0</p>
<p>Hood/housing size 48B «104x62» <i>Custodie grandezza 48B «104x62»</i></p>	<p>Dimensions in mm Part No. bold letters refer to standard availability. Normal letters refer to items on special request. <i>Dimensioni in mm I codici in grassetto indicano i prodotti di normale disponibilità. Il carattere normale indica i prodotti speciali su richiesta.</i></p>	<p>Accessories, cable glands and tools see sections 50, 55 e 60 <i>Accessori, pressacavi ed attrezzi vedere sezioni 50, 55 e 60</i></p>	





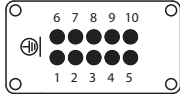
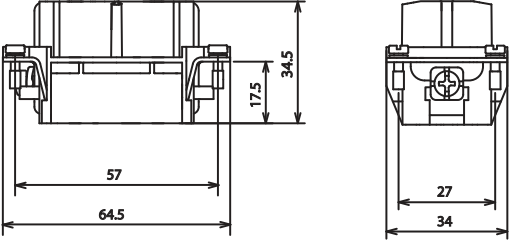
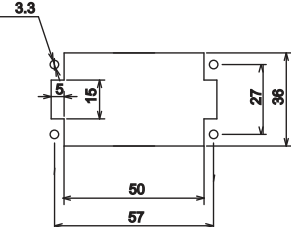




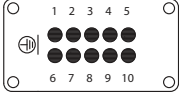
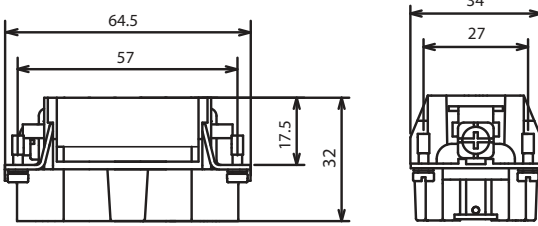
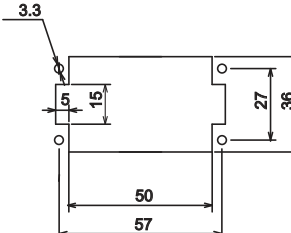
Technical characteristics	Caratteristiche tecniche
---------------------------	--------------------------




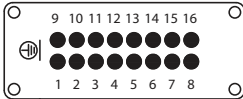
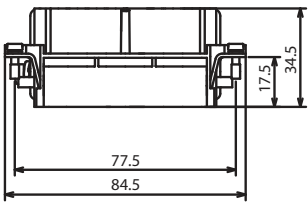
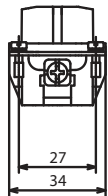
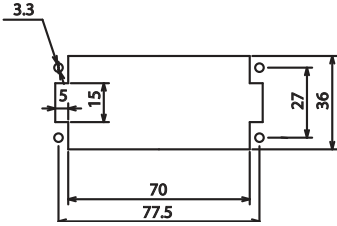



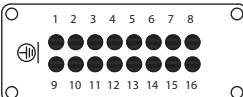
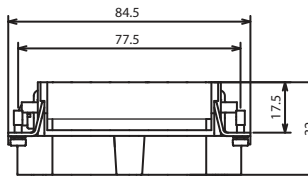
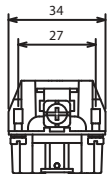
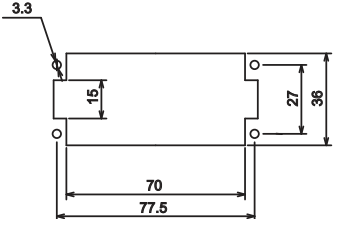
<p>Specifications: EN 61984, EN 60664-1 UL 1977 CSA C22.2 No. 182.3</p> <p>Approvals: (UL, CSA) see page 00.55</p> <p>PUSH IN technology</p> <p>Number of contacts 6,10,16, 24,32 (16x2), 48 (24x2) + </p> <p>Electrical data acc. to EN 61984</p> <table style="width:100%; border-collapse: collapse;"> <tr> <td style="width:50%;"></td> <td style="width:50%; text-align: right;">16A 500V 6kV 3</td> </tr> <tr> <td>Working current</td> <td style="border-top: 1px solid black; border-right: 1px solid black;"></td> </tr> <tr> <td>Working voltage</td> <td style="border-top: 1px solid black; border-right: 1px solid black;"></td> </tr> <tr> <td>Rated impulse voltage</td> <td style="border-top: 1px solid black; border-right: 1px solid black;"></td> </tr> <tr> <td>Pollution degree</td> <td style="border-top: 1px solid black; border-right: 1px solid black;"></td> </tr> </table> <p>Pollution degree 2 also 16A 400/690V 6kV 2</p> <p>Current carrying capacity: Please refer to "Electrical engineering data" page 00.32.</p> <p>Working voltage acc. to UL/CSA 600V Insulation resistance $\geq 10^{10} \Omega$ Material Polycarbonate Limiting temperatures - 40 °C ... + 125 °C Flammability acc. to UL 94 V0 - GWT 960° Mechanical working life ≥ 500 cycles</p> <p>Contacts:</p> <p>Material Copper alloy Surface Silver plated Contact resistance $\leq 3 \text{ m} \Omega$ Wire stripping length 9 + 11 mm</p>		16A 500V 6kV 3	Working current		Working voltage		Rated impulse voltage		Pollution degree		<p>Norme di riferimento: EN 61984, EN 60664-1 UL 1977 CSA C22.2 No. 182.3</p> <p>Approvazioni: (UL, CSA) vedere pag. 00.55</p> <p>PUSH IN technology</p> <p>Numero dei contatti 6,10,16, 24,32 (16x2), 48 (24x2) + </p> <p>Caratteristiche elettriche secondo EN 61984</p> <table style="width:100%; border-collapse: collapse;"> <tr> <td style="width:50%;"></td> <td style="width:50%; text-align: right;">16A 500V 6kV 3</td> </tr> <tr> <td>Corrente nominale</td> <td style="border-top: 1px solid black; border-right: 1px solid black;"></td> </tr> <tr> <td>Tensione nominale</td> <td style="border-top: 1px solid black; border-right: 1px solid black;"></td> </tr> <tr> <td>Tensione ad impulso</td> <td style="border-top: 1px solid black; border-right: 1px solid black;"></td> </tr> <tr> <td>Grado di inquinamento</td> <td style="border-top: 1px solid black; border-right: 1px solid black;"></td> </tr> </table> <p>Con grado di inquinamento 2 16A 400/690V 6kV 2</p> <p>Portata di corrente: Vedere pag. 00.32 "Caratteristiche elettriche"</p> <p>Tensione nominale secondo UL/CSA 600V Resistenza di isolamento $\geq 10^{10} \Omega$ Materiale Polycarbonato Limiti di temperatura - 40 °C ... + 125 °C Autoestinguenza UL 94 V0 - GWT 960° Vita meccanica ≥ 500 cicli</p> <p>Contatti:</p> <p>Materiale Lega di rame Finitura: Argentati Resistenza di contatto $\leq 3 \text{ m} \Omega$ Lunghezza di spellatura conduttore 9 + 11 mm</p>		16A 500V 6kV 3	Corrente nominale		Tensione nominale		Tensione ad impulso		Grado di inquinamento	
	16A 500V 6kV 3																				
Working current																					
Working voltage																					
Rated impulse voltage																					
Pollution degree																					
	16A 500V 6kV 3																				
Corrente nominale																					
Tensione nominale																					
Tensione ad impulso																					
Grado di inquinamento																					


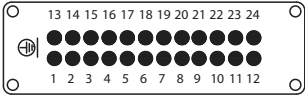
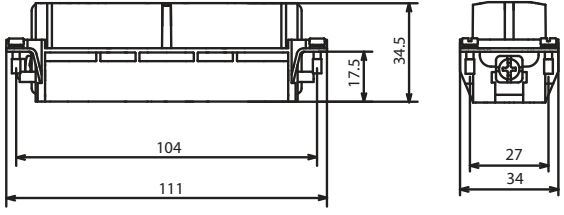
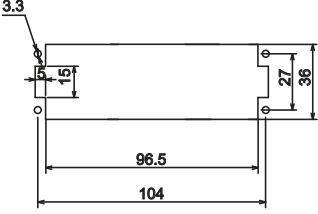

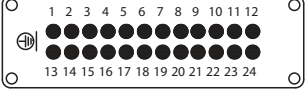
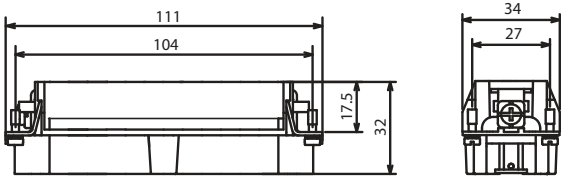
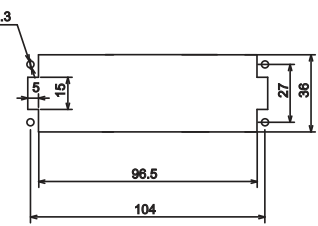
Wire suitability to Push-in terminals Idoneità dei conduttori ai terminali Push-in		
Type of wire Conduttore tipo	Wire mm ² Filo mm ²	Wire gauge Calibro filo
Stranded wires with bush terminal Conduttori flessibili con terminali a tubetto	0.14 + 2.5	26 + 14 AWG
Stranded wires with single wire DIA $\geq 0.20 \text{ mm}$ Conduttori flessibili con fili singoli DIA $\geq 0.20 \text{ mm}$	1.5 + 4	16 + 12 AWG
Solid wires Conduttori rigidi (filo singolo)	0.5 + 2.5	20 + 14 AWG



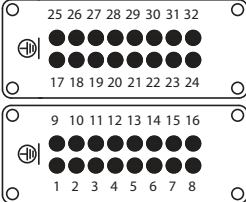
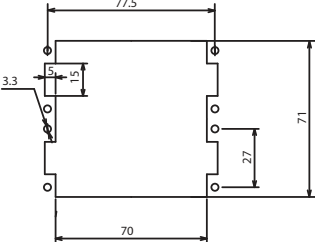


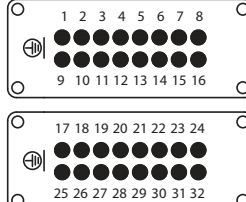
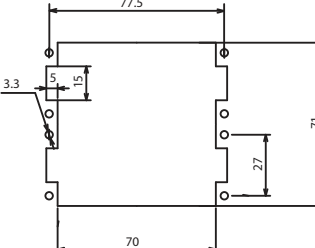
<p>Recommended enclosures: Section: 21,22,23,25,26,27,30</p> <p>Type STD, HE, EMC, HP-HE</p> <p>Material Die cast aluminium Surface Powder coated Locking elements With metal lever or screws Hoods/Housings seal NBR Limiting temperatures -40 °C ... + 125 °C Degree of protection acc. to EN 60529 for coupled connectors IP66 or IP68 (HP-HE) Thread Metric - EN 50262 Pg - DIN 40430</p> <p>Wire extractor tool: 0,4x2.5 screwdriver Part. No. 8500.7979.0</p> <p style="color: red; text-align: center;">According to EN61984 connectors should not be coupled and decoupled under electrical load.</p>	<p>Custodie suggerite: Sezioni: 21,22,23,25,26,27,30</p> <p>Tipo STD, HE, EMC, HP-HE</p> <p>Materiale Fusione di alluminio Superficie Verniciatura a polvere Dispositivo di chiusura Con leva metallica o viti Guarnizione NBR Limiti di temperatura -40 °C ... + 125 °C Grado di protezione secondo EN 60529 connettori accoppiati IP66 o IP68 (HP-HE) Filettature Metrica - EN 50262 Pg - DIN 40430</p> <p>Utensile estrattore del conduttore: cacciavite 0,4x2.5 Cod. 8500.7979.0</p> <p style="color: red; text-align: center;">Secondo la norma EN61984 i connettori non devono essere connessi e sconnessi sotto carico</p>
--	--



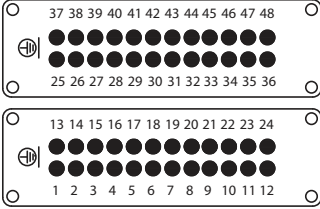
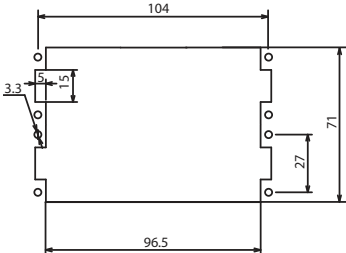


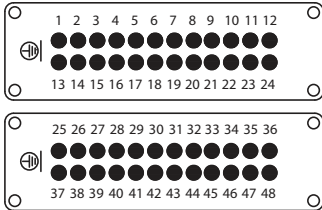
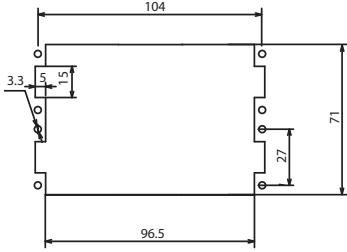
Inserts with Push in terminals Inserti con terminali Push in	Size 6B, 6p + \oplus UL/CSA : 600V	Part No. Codice
<p>Female insert Inserto femmina</p>  <p>PUSH IN</p>  <p>For solid or stranded wires Per fili rigidi o flessibili</p>	<p>Contact arrangement View from termination side Disposizione contatti Vista lato terminazioni</p>    <p>Panel cut out for inserts For use without hood/housing Foratura di alloggiamento inserti Per uso senza custodia</p>	<p>7306.5861.0</p>
<p>Male insert Inserto maschio</p>  <p>PUSH IN</p>  <p>For solid or stranded wires Per fili rigidi o flessibili</p>	<p>Contact arrangement View from termination side Disposizione contatti Vista lato terminazioni</p>    <p>Panel cut out for inserts For use without hood/housing Foratura di alloggiamento inserti Per uso senza custodia</p>	<p>7306.5961.0</p>
<p>Hood/housing size 6B «44x27» Custodie grandezza 6B «44x27»</p>	<p>Dimensions in mm Part No. bold letters refer to standard availability. Normal letters refer to items on special request. Dimensioni in mm I codici in grassetto indicano i prodotti di normale disponibilità. Il carattere normale indica i prodotti speciali su richiesta.</p>	<p>Accessories, cable glands and tools see sections 50, 55 e 60 Accessori, pressacavi ed attrezzi vedere sezioni 50, 55 e 60</p>

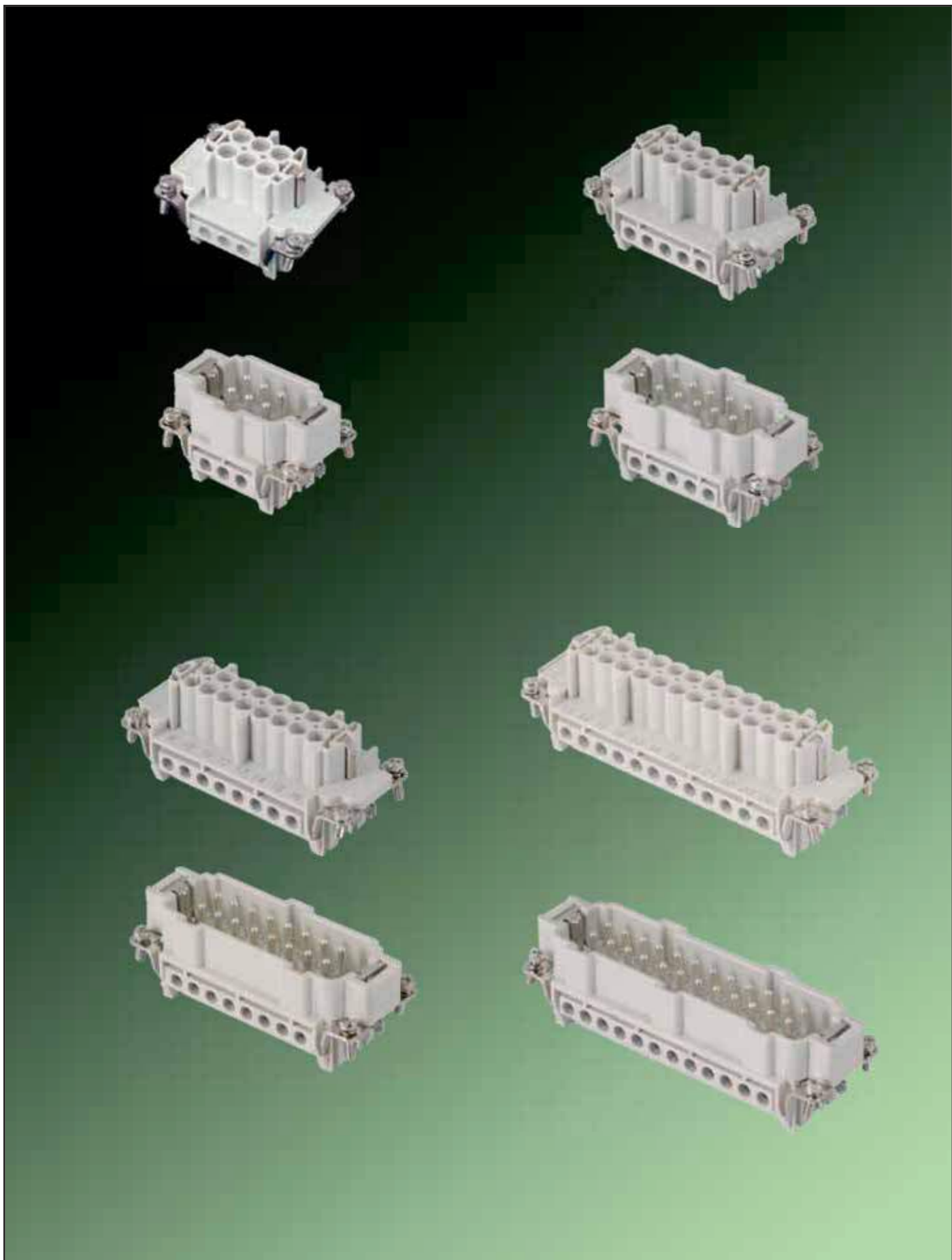
Inserts with Push in terminals Inserti con terminali Push in	Size 10B, 10p + \oplus	UL/CSA : 600V	Part No. Codice
<p>Female insert Inserto femmina</p>    <p>In accordance with: DESINA specifications Secondo: ISO 23270-3 standard</p>  <p>For solid or stranded wires Per fili rigidi o flessibili</p>	<p>Contact arrangement View from termination side Disposizione contatti Vista lato terminazioni</p>    <p>Panel cut out for inserts For use without hood/housing Foratura di alloggiamento inserti Per uso senza custodia</p>		<p>7310.5862.0</p>
<p>Male insert Inserto maschio</p>    <p>In accordance with: DESINA specifications Secondo: ISO 23270-3 standard</p>  <p>For solid or stranded wires Per fili rigidi o flessibili</p>	<p>Contact arrangement View from termination side Disposizione contatti Vista lato terminazioni</p>    <p>Panel cut out for inserts For use without hood/housing Foratura di alloggiamento inserti Per uso senza custodia</p>		<p>7310.5962.0</p>
<p>Hood/housing size 10B «57x27» Custodie grandezza 10B «57x27»</p>	<p>Dimensions in mm Part No. bold letters refer to standard availability. Normal letters refer to items on special request. Dimensioni in mm I codici in grassetto indicano i prodotti di normale disponibilità. Il carattere normale indica i prodotti speciali su richiesta.</p>	<p>Accessories, cable glands and tools see sections 50, 55 e 60 Accessori, pressacavi ed attrezzi vedere sezioni 50, 55 e 60</p>	



Inserts with Push in terminals Inserti con terminali Push in	Size 16B, 16p + Ⓢ	UL/CSA : 600V	Part No. Codice
<p>Female insert Inserto femmina</p>   <p>In accordance with Euromap Recommendation No. 14-2 Secondo raccomandazioni Euromap No.14-2</p>  <p>For solid or stranded wires Per fili rigidi o flessibili</p>	<p>Contact arrangement View from termination side Disposizione contatti Vista lato terminazioni</p>     <p>Panel cut out for inserts For use without hood/housing Foratura di alloggiamento inserti Per uso senza custodia</p>		<p>7316.5863.0</p>
<p>Male insert Inserto maschio</p>   <p>In accordance with Euromap Recommendation No. 14-2 Secondo raccomandazioni Euromap No.14-2</p>  <p>For solid or stranded wires Per fili rigidi o flessibili</p>	<p>Contact arrangement View from termination side Disposizione contatti Vista lato terminazioni</p>     <p>Panel cut out for inserts For use without hood/housing Foratura di alloggiamento inserti Per uso senza custodia</p>		<p>7316.5963.0</p>
<p>Hood/housing size 16B «77x27» Custodie grandezza 16B «77x27»</p>	<p>Dimensions in mm Part No. bold letters refer to standard availability. Normal letters refer to items on special request. Dimensioni in mm I codici in grassetto indicano i prodotti di normale disponibilità. Il carattere normale indica i prodotti speciali su richiesta.</p>	<p>Accessories, cable glands and tools see sections 50, 55 e 60 Accessori, pressacavi ed attrezzi vedere sezioni 50, 55 e 60</p>	


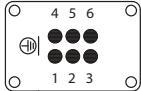
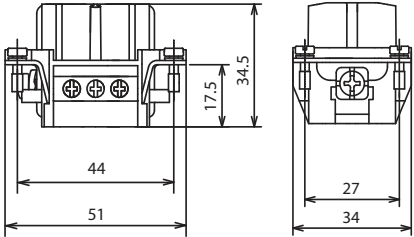
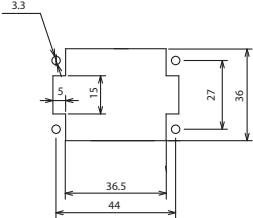

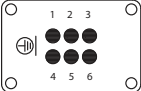
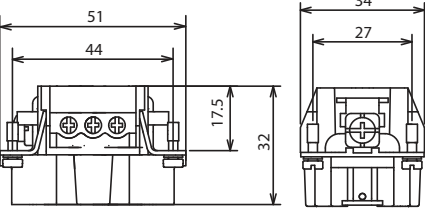
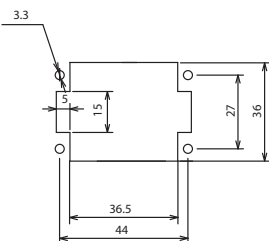
Inserts with Push in terminals Inserti con terminali Push in	Size 24B, 24p + Ⓢ UL/CSA : 600 V	Part No. Codice
<p>Female insert Inserto femmina</p>  <p>PUSH IN</p> <p>UL US CE RoHS</p> <p>For solid or stranded wires Per fili rigidi o flessibili</p>	<p>Contact arrangement View from termination side Disposizione contatti Vista lato terminazioni</p>    <p>Panel cut out for inserts For use without hood/housing Foratura di alloggiamento inserti Per uso senza custodia</p>	<p>7324.5865.0</p>
<p>Male insert Inserto maschio</p>  <p>PUSH IN</p> <p>UL US CE RoHS</p> <p>For solid or stranded wires Per fili rigidi o flessibili</p>	<p>Contact arrangement View from termination side Disposizione contatti Vista lato terminazioni</p>    <p>Panel cut out for inserts For use without hood/housing Foratura di alloggiamento inserti Per uso senza custodia</p>	<p>7324.5965.0</p>
<p>Hood/housing size 24B «104x27» Custodie grandezza 24B «104x27»</p>	<p>Dimensions in mm Part No. bold letters refer to standard availability. Normal letters refer to items on special request. Dimensioni in mm I codici in grassetto indicano i prodotti di normale disponibilità. Il carattere normale indica i prodotti speciali su richiesta.</p>	<p>Accessories, cable glands and tools see sections 50, 55 e 60 Accessori, pressacavi ed attrezzi vedere sezioni 50, 55 e 60</p>




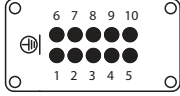
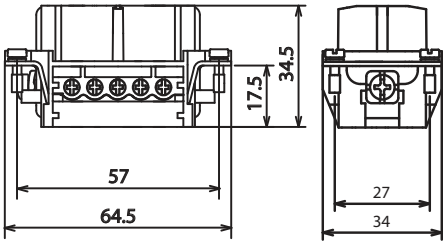
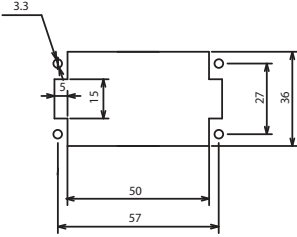



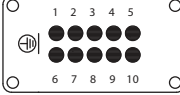
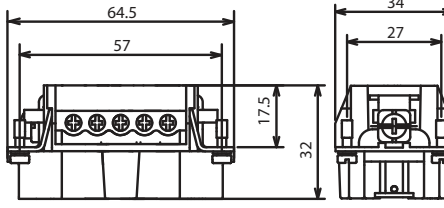
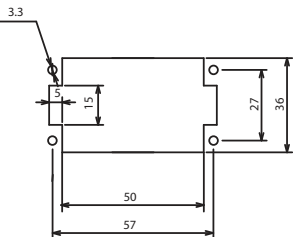
Inserts with Push in terminals Inserti con terminali Push in	Size 32B, 32p + Ⓢ UL/CSA : 600 V	Numbering Numerazione	Part No. Codice
<p>Female inserts Inserti femmina</p>  <p>PUSH IN</p>  <p>For solid or stranded wires Per fili rigidi o flessibili</p>	<p>Inserts dimensions see page 02.28 Dimensioni degli inserti vedere pag. 02.28</p>  <p>Contact arrangement View from termination side Disposizione contatti Vista lato terminazioni</p>  <p>Panel cut out for inserts For use without hood/housing Foratura di alloggiamento inserti Per uso senza custodia</p>	<p>1-16</p> <p>17-32</p>	<p>7316.5863.0</p> <p>7316.5864.0</p>
<p>Male inserts Inserti maschio</p>  <p>PUSH IN</p>  <p>For solid or stranded wires Per fili rigidi o flessibili</p>	<p>Inserts dimensions see page 02.28 Dimensioni degli inserti vedere pag. 02.28</p>  <p>Contact arrangement View from termination side Disposizione contatti Vista lato terminazioni</p>  <p>Panel cut out for inserts For use without hood/housing Foratura di alloggiamento inserti Per uso senza custodia</p>	<p>1-16</p> <p>17-32</p>	<p>7316.5963.0</p> <p>7316.5964.0</p>
<p>Hood/housing size 32B «77x62» Custodie grandezza 32B «77x62»</p>	<p>Dimensions in mm Part No. bold letters refer to standard availability. Normal letters refer to items on special request. Dimensioni in mm I codici in grassetto indicano i prodotti di normale disponibilità. Il carattere normale indica i prodotti speciali su richiesta.</p>		<p>Accessories, cable glands and tools see sections 50, 55 e 60 Accessori, pressacavi ed attrezzi vedere sezioni 50, 55 e 60</p>

Inserts with Push in terminal Inserti con terminali Push in	Size 48B, 48p + ⊕ UL/CSA : 600 V	Numbering Numerazione	Part No. Codice
<p>Female inserts Inserti femmina</p>   <p>UL US CE RoHS</p> <p>For solid or stranded wires Per fili rigidi o flessibili</p>	<p>Inserts dimensions see page 02.29 Dimensioni degli inserti vedere pag. 02.29</p>  <p>Contact arrangement View from termination side Disposizione contatti Vista lato terminazioni</p>  <p>Panel cut out for inserts For use without hood/housing Foratura di alloggiamento inserti Per uso senza custodia</p>	<p>1-24</p> <p>25-48</p>	<p>7324.5865.0</p> <p>7324.5866.0</p>
<p>Male inserts Inserti maschio</p>   <p>UL US CE RoHS</p> <p>For solid or stranded wires Per fili rigidi o flessibili</p>	<p>Inserts dimensions see page 02.29 Dimensioni degli inserti vedere pag. 02.29</p>  <p>Contact arrangement View from termination side Disposizione contatti Vista lato terminazioni</p>  <p>Panel cut out for inserts For use without hood/housing Foratura di alloggiamento inserti Per uso senza custodia</p>	<p>1-24</p> <p>25-48</p>	<p>7324.5965.0</p> <p>7324.5966.0</p>
<p>Hood/housing size 48B «104x62» Custodie grandezza 48B «104x62»</p>	<p>Dimensions in mm Part No. bold letters refer to standard availability. Normal letters refer to items on special request. Dimensioni in mm I codici in grassetto indicano i prodotti di normale disponibilità. Il carattere normale indica i prodotti speciali su richiesta.</p>		<p>Accessories, cable glands and tools see sections 50, 55 e 60 Accessori, pressacavi ed attrezzi vedere sezioni 50, 55 e 60</p>



Technical characteristics	Caratteristiche tecniche																																																																		
<p>Specifications: EN 61984, EN 60664-1 UL 1977 CSA C22.2 No. 182.3</p> <p>Approvals:  (UL, CSA)</p> <p>Number of contacts 6,10,16, 24,32 (16x2), 48 (24x2) + ⊕</p> <p>Electrical data acc. to EN 61984</p> <table border="1" data-bbox="135 616 718 772"> <tr> <td></td> <td>16A</td> <td>500V</td> <td>6kV</td> <td>3</td> </tr> <tr> <td>Working current</td> <td colspan="4">_____</td> </tr> <tr> <td>Working voltage</td> <td colspan="4">_____</td> </tr> <tr> <td>Rated impulse voltage</td> <td colspan="4">_____</td> </tr> <tr> <td>Pollution degree</td> <td colspan="4">_____</td> </tr> </table> <p>Pollution degree 2 also 16A 400/690V 6kV 2</p> <p>Current carrying capacity: Please refer to "Electrical engineering data" page 00.28</p> <p>Working voltage acc. to UL/CSA 600V Insulation resistance $\geq 10^{10} \Omega$ Material PBT Limiting temperatures - 40 °C ... + 125 °C Flammability acc. to UL 94 V0 - GWT 960° Mechanical working life ≥ 500 cycles</p> <p>Material Copper alloy Surface Silver plated Contact resistance $\leq 1 \text{ m} \Omega$</p> <p>Screw terminal (Toured)</p> <table border="1" data-bbox="287 1220 654 1332"> <tr> <td>- mm²</td> <td>0,5+4,0</td> </tr> <tr> <td>- AWG</td> <td>20 ÷ 12</td> </tr> <tr> <td>- Tightening torque</td> <td>0.5 Nm</td> </tr> <tr> <td>- Stripping length</td> <td>7.0 mm</td> </tr> </table> <p>For solid or stranded wires</p> <p>Recommended enclosures: Section: 21,22,23,25,26,27,30</p> <p>Type STD, HE, EMC, HP-HE</p> <p>Material Die cast aluminium Surface Powder coated Locking element With metal lever or screws Hoods/Housings seal NBR Limiting temperatures -40 °C ... + 125 °C Degree of protection acc. to EN 60529 for coupled connectors IP66 or IP68 (HP-HE) Thread Metric - EN 50262 Pg - DIN 40430</p>		16A	500V	6kV	3	Working current	_____				Working voltage	_____				Rated impulse voltage	_____				Pollution degree	_____				- mm ²	0,5+4,0	- AWG	20 ÷ 12	- Tightening torque	0.5 Nm	- Stripping length	7.0 mm	<p>Norme di riferimento: EN 61984, EN 60664-1 UL 1977 CSA C22.2 No. 182.3</p> <p>Approvazioni:  (UL, CSA)</p> <p>Numero dei contatti 6,10,16, 24, 32 (16x2), 48 (24x2) + ⊕</p> <p>Caratteristiche elettriche secondo EN 61984</p> <table border="1" data-bbox="837 616 1420 772"> <tr> <td></td> <td>16A</td> <td>500V</td> <td>6kV</td> <td>3</td> </tr> <tr> <td>Corrente nominale</td> <td colspan="4">_____</td> </tr> <tr> <td>Tensione nominale</td> <td colspan="4">_____</td> </tr> <tr> <td>Tensione ad impulso</td> <td colspan="4">_____</td> </tr> <tr> <td>Grado di inquinamento</td> <td colspan="4">_____</td> </tr> </table> <p>Con grado di inquinamento 2 16A 400/690V 6kV 2</p> <p>Portata di corrente: Vedere pag. 00.28 "Caratteristiche elettriche"</p> <p>Tensione nominale secondo UL/CSA 600V Resistenza di isolamento $\geq 10^{10} \Omega$ Materiale PBT Limiti di temperature - 40 °C ... + 125 °C Autoestinguenza UL 94 V0 - GWT 960° Vita meccanica ≥ 500 cicli</p> <p>Material <i>Lega di rame</i> Finitura: <i>Argentati</i> Resistenza di contatto $\leq 1 \text{ m} \Omega$</p> <p>Terminali a vite (torniti)</p> <table border="1" data-bbox="989 1220 1404 1332"> <tr> <td>- mm²</td> <td>0.5+4,0 mm²</td> </tr> <tr> <td>- AWG</td> <td>20 ÷ 12</td> </tr> <tr> <td>- Coppia di serraggio</td> <td>0.5 Nm</td> </tr> <tr> <td>- Lunghezza di spellatura</td> <td>7.0 mm</td> </tr> </table> <p>Per fili rigidi o flessibili</p> <p>Custodie suggerite: Sezioni: 21,22,23,25,26,27,30</p> <p>Type STD, HE, EMC, HP-HE</p> <p>Material <i>Fusione di alluminio</i> Superficie <i>Verniciatura a polvere</i> Sistema di chiusura <i>Con leva metallica o viti</i> Guarnizione <i>NBR</i> Limiti di temperature <i>-40 °C ... + 125 °C</i> Grado di protezione secondo EN 60529 connettori accoppiati <i>IP66 o IP68 (HP-HE)</i> Filettature <i>Metrica - EN 50262</i> <i>Pg - DIN 40430</i></p>		16A	500V	6kV	3	Corrente nominale	_____				Tensione nominale	_____				Tensione ad impulso	_____				Grado di inquinamento	_____				- mm ²	0.5+4,0 mm ²	- AWG	20 ÷ 12	- Coppia di serraggio	0.5 Nm	- Lunghezza di spellatura	7.0 mm
	16A	500V	6kV	3																																																															
Working current	_____																																																																		
Working voltage	_____																																																																		
Rated impulse voltage	_____																																																																		
Pollution degree	_____																																																																		
- mm ²	0,5+4,0																																																																		
- AWG	20 ÷ 12																																																																		
- Tightening torque	0.5 Nm																																																																		
- Stripping length	7.0 mm																																																																		
	16A	500V	6kV	3																																																															
Corrente nominale	_____																																																																		
Tensione nominale	_____																																																																		
Tensione ad impulso	_____																																																																		
Grado di inquinamento	_____																																																																		
- mm ²	0.5+4,0 mm ²																																																																		
- AWG	20 ÷ 12																																																																		
- Coppia di serraggio	0.5 Nm																																																																		
- Lunghezza di spellatura	7.0 mm																																																																		
<p>According to EN61984 connectors should not be coupled and decoupled under electrical load.</p>	<p>Secondo la norma EN61984 i connettori non devono essere connessi e sconnessi sotto carico</p>																																																																		



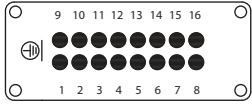
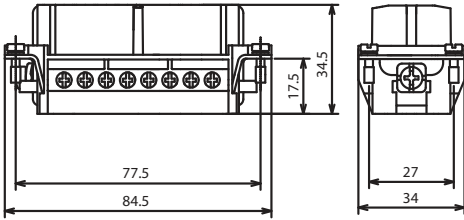
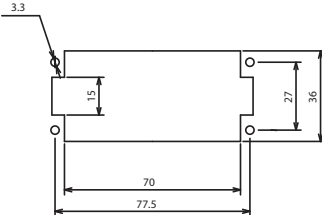


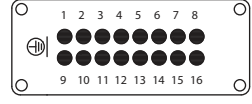
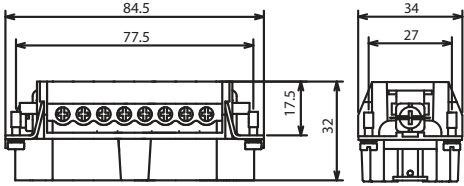
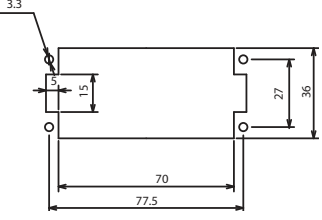
Screw terminal inserts Inserti con terminali a vite	Size 6B, 6p + ⊕ UL/CSA : 600 V	Type Tipo	Part No. Codice
<p>Female inserts Inserti femmina</p>  <p>UL CSA CE RoHS</p> <p>Silver plated contacts with cross/slot screws Contatti argentati con viti con impronta combi taglio/croce</p>	<p>Contact arrangement View from termination side Disposizione contatti Vista lato terminazioni</p>    <p>Panel cut out for inserts For use without hood/housing Foratura di alloggiamento inserti Per uso senza custodie</p>	<p>Screw terminals with wire protection Section: 0.5-2,5 mm² (20-14 AWG)</p> <p><i>Terminali a vite con proteggi-filo</i> Per sezioni: 0,5-2,5 mm² (20-14 AWG)</p>	<p>7306.6003.4</p>
<p>Male inserts Inserti maschio</p>  <p>UL CSA CE RoHS</p> <p>Silver plated contacts with cross/slot screws Contatti argentati con viti con impronta combi taglio/croce</p>	<p>Contact arrangement View from termination side Disposizione contatti Vista lato terminazioni</p>    <p>Panel cut out for inserts For use without hood/housing Foratura di alloggiamento inserti Per uso senza custodie</p>	<p>Screw terminals with wire protection Section: 0.5-2,5 mm² (20-14 AWG)</p> <p><i>Terminali a vite con proteggi-filo</i> Per sezioni: 0,5-2,5 mm² (20-14 AWG)</p>	<p>7306.6103.4</p>
<p>Hood/housing size 6B «44x27» Custodie grandezza 6B «44x27»</p>	<p>Dimensions in mm Part No. bold letters refer to standard availability. Normal letters refer to items on special request. Dimensioni in mm I codici in grassetto indicano i prodotti di normale disponibilità. Il carattere normale indica i prodotti speciali su richiesta.</p>	<p>Accessories, cable glands and tools see sections 50, 55 e 60 Accessori, pressacavi ed attrezzi vedere sezioni 50, 55 e 60</p>	


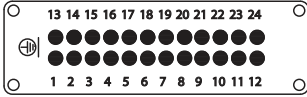
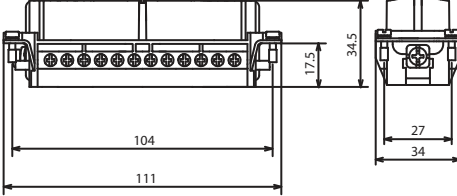
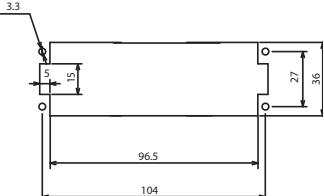

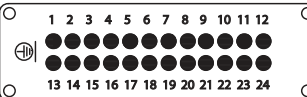
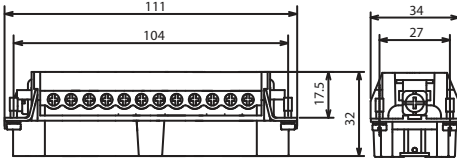
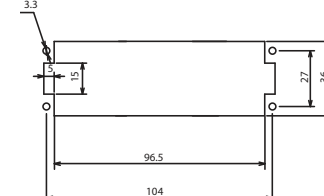
Screw terminal inserts Inserti con terminali a vite	Size 10B, 10p + ⊕ UL/CSA : 600 V	Type Tipo	Part No. Codice
<p>Female inserts Inserti femmina</p>   <p>In accordance with: DESINA specifications Secondo: ISO 23270-3 standard</p>  <p>Silver plated contacts with cross/slot screws Contatti argentati con viti con impronta combi taglio/croce</p>	<p>Contact arrangement View from termination side <i>Disposizione contatti</i> Vista lato terminazioni</p>  	<p>Screw terminals with wire protection Section: 0.5-2,5 mm² (20-14 AWG)</p> <p><i>Terminali a vite con proteggi-filo</i> Per sezioni: 0,5-2,5 mm² (20-14 AWG)</p>	<p>7310.6004.4</p>
	 <p>Panel cut out for inserts For use without hood/housing <i>Foratura di alloggiamento inserti</i> Per uso senza custodie</p>	<p>Screw terminals without wire protection Section: 0.5-4 mm² (20-12 AWG)</p> <p><i>Terminali a vite senza proteggi-filo</i> Per sezioni: 0,5-4 mm² (20-12 AWG)</p>	<p>7310.6004.6</p>
<p>Male inserts Inserti maschio</p>   <p>In accordance with: DESINA specifications Secondo: ISO 23270-3 standard</p>  <p>Silver plated contacts with cross/slot screws Contatti argentati con viti con impronta combi taglio/croce</p>	<p>Contact arrangement View from termination side <i>Disposizione contatti</i> Vista lato terminazioni</p>  	<p>Screw terminals with wire protection Section: 0.5-2,5 mm² (20-14 AWG)</p> <p><i>Terminali a vite con proteggi-filo</i> Per sezioni: 0,5-2,5 mm² (20-14 AWG)</p>	<p>7310.6104.4</p>
	 <p>Panel cut out for inserts For use without hood/housing <i>Foratura di alloggiamento inserti</i> Per uso senza custodie</p>	<p>Screw terminals without wire protection Section: 0.5-4 mm² (20-12 AWG)</p> <p><i>Terminali a vite senza proteggi-filo</i> Per sezioni: 0,5-4 mm² (20-12 AWG)</p>	<p>7310.6104.6</p>


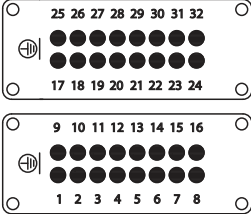
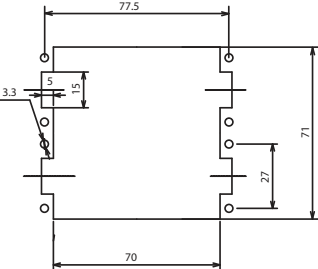

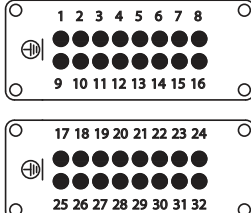
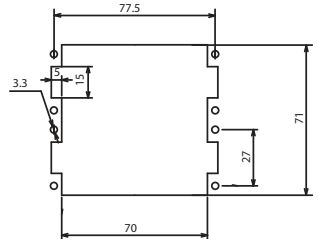
Hood/housing size 10B «57x27»
Custodie grandezza 10B «57x27»


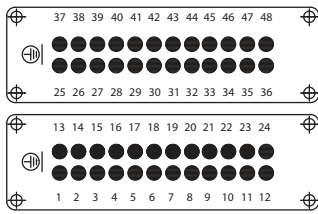
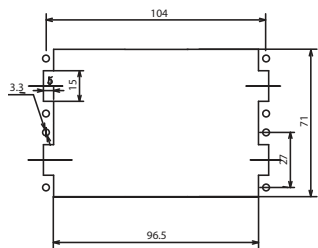

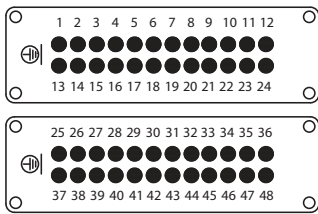
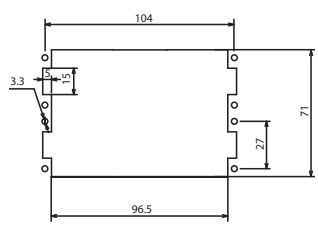
Dimensions in mm Part No. bold letters refer to standard availability.
Normal letters refer to items on special request.
Dimensioni in mm I codici in grassetto indicano i prodotti di normale disponibilità. Il carattere normale indica i prodotti speciali su richiesta.

Accessories, cable glands and tools see sections 50, 55 e 60
Accessori, pressacavi ed attrezzi vedere sezioni 50, 55 e 60







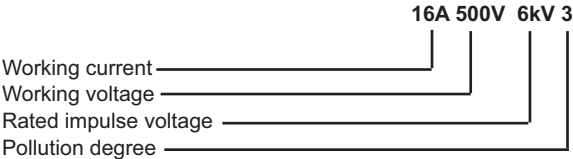
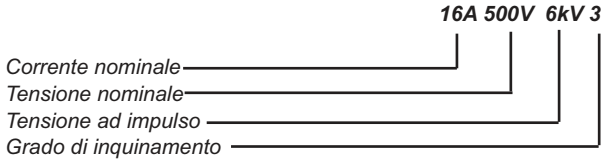
Screw terminal inserts <i>Inserti con terminali a vite</i>	Size 16B, 16p + Ⓢ UL/CSA : 600 V	Type <i>Tipo</i>	Part No. <i>Codice</i>
<p>Female inserts <i>Inserti femmina</i></p>  <p>In accordance with Euromap Recommendation No. 14-2 <i>Secondo raccomandazioni Euromap No.14-2</i></p>  <p>Silver plated contacts with cross/slot screws <i>Contatti argentati con viti con impronta combi taglio/croce</i></p>	<p>Contact arrangement View from termination side <i>Disposizione contatti</i> <i>Vista lato terminazioni</i></p>    <p>Panel cut out for inserts For use without hood/housing <i>Foratura di alloggiamento inserti</i> <i>Per uso senza custodie</i></p>	<p>Screw terminals with wire protection Section: 0.5-2,5 mm² (20-14 AWG)</p> <p><i>Terminali a vite con proteggi-filo</i> <i>Per sezioni:</i> <i>0,5-2,5 mm²</i> <i>(20-14 AWG)</i></p>	<p>7316.6005.4</p>
<p>Male inserts <i>Inserti maschio</i></p>  <p>In accordance with Euromap Recommendation No. 14-2 <i>Secondo raccomandazioni Euromap No.14-2</i></p>  <p>Silver plated contacts with cross/slot screws <i>Contatti argentati con viti con impronta combi taglio/croce</i></p>	<p>Contact arrangement View from termination side <i>Disposizione contatti</i> <i>Vista lato terminazioni</i></p>    <p>Panel cut out for inserts For use without hood/housing <i>Foratura di alloggiamento inserti</i> <i>Per uso senza custodie</i></p>	<p>Screw terminals with wire protection Section: 0.5-2,5 mm² (20-14 AWG)</p> <p><i>Terminali a vite con proteggi-filo</i> <i>Per sezioni:</i> <i>0,5-2,5 mm²</i> <i>(20-14 AWG)</i></p>	<p>7316.6105.4</p>
<p>Hood/housing size 16B «77x27» <i>Custodie grandezza 16B «77x27»</i></p>	<p>Dimensions in mm Part No. bold letters refer to standard availability. Normal letters refer to items on special request. <i>Dimensioni in mm I codici in grassetto indicano i prodotti di normale disponibilità. Il carattere normale indica i prodotti speciali su richiesta.</i></p>	<p>Accessories, cable glands and tools see sections 50, 55 e 60 <i>Accessori, pressacavi ed attrezzi vedere sezioni 50, 55 e 60</i></p>	

Screw terminal inserts <i>Inserti con terminali a vite</i>	Size 24B, 24p + Ⓧ UL/CSA : 600 V	Type <i>Tip</i>	Part No. <i>Codice</i>
<p>Female inserts <i>Inserti femmina</i></p>  <p>UL CSA CE RoHS</p> <p>Silver plated contacts with cross/slot screws <i>Contatti argentati con viti con impronta combi taglio/croce</i></p>	<p>Contact arrangement View from termination side <i>Disposizione contatti</i> <i>Vista lato terminazioni</i></p>    <p>Panel cut out for inserts For use without hood/housing <i>Foratura di alloggiamento inserti</i> <i>Per uso senza custodie</i></p>	<p>Screw terminals with wire protection Section: 0.5-2,5 mm² (20-14 AWG)</p> <p><i>Terminali a vite con proteggi-filo</i> Per sezioni: 0,5-2,5 mm² (20-14 AWG)</p>	<p>7324.6007.4</p>
<p>Male inserts <i>Inserti maschio</i></p>  <p>UL CSA CE RoHS</p> <p>Silver plated contacts with cross/slot screws <i>Contatti argentati con viti con impronta combi taglio/croce</i></p>	<p>Contact arrangement View from termination side <i>Disposizione contatti</i> <i>Vista lato terminazioni</i></p>    <p>Panel cut out for inserts For use without hood/housing <i>Foratura di alloggiamento inserti</i> <i>Per uso senza custodie</i></p>	<p>Screw terminals with wire protection Section: 0.5-2,5 mm² (20-14 AWG)</p> <p><i>Terminali a vite con proteggi-filo</i> Per sezioni: 0,5-2,5 mm² (20-14 AWG)</p>	<p>7324.6107.4</p>
<p>Hood/housing size 24B «104x27» <i>Custodie grandezza 24B «104x27»</i></p>	<p>Dimensions in mm Part No. bold letters refer to standard availability. Normal letters refer to items on special request. <i>Dimensioni in mm I codici in grassetto indicano i prodotti di normale disponibilità. Il carattere normale indica i prodotti speciali su richiesta.</i></p>	<p>Accessories, cable glands and tools see sections 50, 55 e 60 <i>Accessori, pressacavi ed attrezzi vedere sezioni 50, 55 e 60</i></p>	

Screw terminal inserts Inserti con terminali a vite	Size 32B, 32p + ⊕ UL/CSA : 600 V	Numbering Numerazione	Type Tipo	Part No. Codice		
<p>Female inserts Inserti femmina</p>  <p>UL CSA CE RoHS</p> <p>Silver plated contacts with cross/slot screws Contatti argentati con viti con impronta combi taglio/croce</p>	<p>Inserts dimensions see page 02.06 Dimensioni degli inserti vedere pag. 02.06</p>  <p>Contact arrangement View from termination side Disposizione contatti Vista lato terminazioni</p>  <p>Panel cut out for inserts For use without hood/housing Foratura di alloggiamento inserti Per uso senza custodie</p>	<p>1-16</p> <p>17-32</p>	<p>Screw terminals with wire protection Section: 0.5-2,5 mm² (20-14 AWG)</p> <p>Terminali a vite con proteggi-filo Per sezioni: 0,5-2,5 mm² (20-14 AWG)</p>	<p>7316.6005.4</p> <p>7316.6006.4</p>		
		<p>1-16</p> <p>17-32</p>	<p>without wire protection Section: 0.5-4 mm² (20-12 AWG)</p> <p>Terminali a vite senza proteggi-filo Per sezioni: 0,5-4 mm² (20-12 AWG)</p>	<p>7316.6005.6</p> <p>7316.6006.6</p>		
		<p>Male inserts Inserti maschio</p>  <p>UL CSA CE RoHS</p> <p>Silver plated contacts with cross/slot screws Contatti argentati con viti con impronta combi taglio/croce</p>	<p>Inserts dimensions see page 02.06 Dimensioni degli inserti vedere pag. 02.06</p>  <p>Contact arrangement View from termination side Disposizione contatti Vista lato terminazioni</p>  <p>Panel cut out for inserts For use without hood/housing Foratura di alloggiamento inserti Per uso senza custodie</p>	<p>1-16</p> <p>17-32</p>	<p>Screw terminals with wire protection Section: 0.5-2,5 mm² (20-14 AWG)</p> <p>Terminali a vite con proteggi-filo Per sezioni: 0,5-2,5 mm² (20-14 AWG)</p>	<p>7316.6105.4</p> <p>7316.6106.4</p>
				<p>1-16</p> <p>17-32</p>	<p>without wire protection Section: 0.5-4 mm² (20-12 AWG)</p> <p>Terminali a vite senza proteggi-filo Per sezioni: 0,5-4 mm² (20-12 AWG)</p>	<p>7316.6105.6</p> <p>7316.6106.6</p>
<p>Hood/housing size 32B «77x62» Custodie grandezza 32B «77x62»</p> <p>Dimensions in mm Part No. bold letters refer to standard availability. Normal letters refer to items on special request. Dimensioni in mm I codici in grassetto indicano i prodotti di normale disponibilità. Il carattere normale indica i prodotti speciali su richiesta.</p>				<p>Accessories, cable glands and tools see sections 50, 55 e 60 Accessori, pressacavi ed attrezzi vedere sezioni 50, 55 e 60</p>		

Screw terminal inserts <i>Inserti con terminali a vite</i>	Size 48B 48p + Ⓢ UL/CSA : 600 V	Numbering <i>Numerazione</i>	Type <i>Tipo</i>	Part No. <i>Codice</i>
<p>Female inserts <i>Inserti femmina</i></p>  <p>UL CSA CE RoHS</p> <p>Silver plated contacts with cross/slot screws <i>Contatti argentati con viti con impronta combi taglio/croce</i></p>	<p>Inserts dimensions see page 02.08 <i>Dimensioni degli inserti vedere pag. 02.08</i></p>  <p>Contact arrangement View from termination side <i>Disposizione contatti</i> Vista lato terminazioni</p>  <p>Panel cut out for inserts For use without hood/housing <i>Foratura di alloggiamento inserti</i> Per uso senza custodie</p>	<p>1-24</p> <p>25-48</p>	<p>Screw terminals with wire protection Section: 0.5-2,5 mm² (20-14 AWG)</p> <p><i>Terminali a vite con proteggi-filo</i> Per sezioni: 0,5-2,5 mm² (20-14 AWG)</p>	<p>7324.6007.4</p> <p>7324.6008.4</p>
<p>Male inserts <i>Inserti maschio</i></p>  <p>UL CSA CE RoHS</p> <p>Silver plated contacts with cross/slot screws <i>Contatti argentati con viti con impronta combi taglio/croce</i></p>	<p>Inserts dimensions see page 02.08 <i>Dimensioni degli inserti vedere pag. 02.08</i></p>  <p>Contact arrangement View from termination side <i>Disposizione contatti</i> Vista lato terminazioni</p>  <p>Panel cut out for inserts For use without hood/housing <i>Foratura di alloggiamento inserti</i> Per uso senza custodie</p>	<p>1-24</p> <p>25-48</p>	<p>Screw terminals with wire protection Section: 0.5-2,5 mm² (20-14 AWG)</p> <p><i>Terminali a vite con proteggi-filo</i> Per sezioni: 0,5-2,5 mm² (20-14 AWG)</p>	<p>7324.6107.4</p> <p>7324.6108.4</p>
<p>Hood/housing size 48B «104x62» <i>Custodie grandezza 48B «104x62»</i></p>	<p>Dimensions in mm Part No. bold letters refer to standard availability. Normal letters refer to items on special request. <i>Dimensioni in mm I codici in grassetto indicano i prodotti di normale disponibilità. Il carattere normale indica i prodotti speciali su richiesta.</i></p>		<p>Accessories, cable glands and tools see sections 50, 55 e 60 <i>Accessori, pressacavi ed attrezzi vedere sezioni 50, 55 e 60</i></p>	



Technical characteristics		Caratteristiche tecniche	
Specifications:	EN 61984, EN 60664-1 UL 1977 CSA C22.2 No. 182.3	Norme di riferimento:	EN 61984, EN 60664-1 UL 1977 CSA C22.2 No. 182.3
Approvals:	 (UL) 	Approvazioni:	 (UL) 
Number of contacts	10,18,32, 46, 64 (32x2) 92 (46x2) + 	Numero dei contatti	10,18,32, 46, 64 (32x2) 92 (46x2) + 
Electrical data acc. to EN 61984	 <p>16A 500V 6kV 3</p>	Caratteristiche elettriche secondo EN 61984	 <p>16A 500V 6kV 3</p>
Pollution degree 2 also	16A 830V 8kV 2	Con grado di inquinamento 2	16A 830V 8kV 2
Current carrying capacity:	Please refer to "Electrical engineering data" page 00.29	Portata di corrente:	Vedere pag. 00.29 "Caratteristiche elettriche"
Working voltage acc. to UL/CSA	600V	Tensione nominale secondo UL/CSA	600V
Insulation resistance	≥ 10 ¹⁰ Ω	Resistenza di isolamento	≥ 10 ¹⁰ Ω
Material	Polycarbonate	Materiale	Policarbonato
Limiting temperatures	- 40 °C ... + 125 °C	Limiti di temperature	- 40 °C ... + 125 °C
Flammability acc. to	UL 94 V0	Autoestinguenza	UL 94 V0
Mechanical working life	≥ 500 cycles	Vita meccanica	≥ 500 cicli
Contacts:		Contatti:	
Material	Copper alloy	Materiale	Lega di rame
Surface	Silver plated Gold plated	Finitura:	Argentati Dorati
Contact resistance	≤ 1 m Ω	Resistenza di contatto	≤ 1 m Ω
Crimp terminal, turned	see page 02.50	Terminali a crimpare, torniti	ved. pag. 02.50
- mm ²	0.14÷4.0	- mm ²	0.14÷4.0
- AWG	26 - 12	- AWG	26 - 12
For solid or stranded wires		Per fili rigidi o flessibili	
Recommended enclosures:	Section:21,22,23, 25,26,27,30	Custodie suggerite:	Sezioni: 21,22,23,25,26,27,30
Type:	STD, HE, EMC, HP-HE	Tipo	STD, HE, EMC, HP-HE
Material	Die cast aluminium	Materiale	Fusione di alluminio
Surface	Powder coated	Superficie	Verniciatura a polvere
Locking elements	With metal lever or screw	Dispositivo di chiusura	Con leva metallica o viti
Hoods/Housings seal	NBR	Guarnizione	NBR
Limiting temperatures	-40 °C ... + 125 °C	Limiti di temperature	-40 °C ... + 125 °C
Degree of protection acc. to		Grado di protezione secondo	
EN 60529 for coupled connectors	IP66 or IP68 (HP-HE)	EN 60529 connettori accoppiati	IP66 o IP68 (HP-HE)
Thread	Metric - EN 50262 Pg - DIN 40430	Filettature	Metrica - EN 50262 Pg - DIN 40430
According to EN61984 connectors should not be coupled and decoupled under electrical load.		Secondo la norma EN61984 i connettori non devono essere connessi e sconnessi sotto carico	

Application with higher voltage

Applicazioni con tensioni maggiori

If all the contacts are used, the S-EE series connectors may be used with voltages of up to 500V, pollution degree 3, in accordance with the standard EN 61984.
If the number of contacts is reduced and the contacts accordingly assigned, these connectors may be used with higher voltage. This is possible because the decrease in the number of contacts leads to an increase in the surface distance in the air. When the contacts are arranged as shown below, the inserts may be used for voltages up to 1000V, pollution degree 3, in accordance with standard EN 61984.

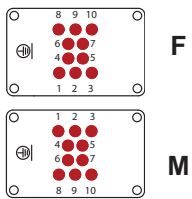
Se vengono inseriti tutti i contatti, i connettori della serie S-EE possono essere utilizzati con tensioni fino a 500V, grado di inquinamento 3, in conformità con la norma EN 61984.
Se il numero dei contatti viene ridotto e gli stessi opportunamente disposti, possono essere utilizzati con tensioni maggiori. Questo risulta possibile perché il decremento del numero dei contatti produce un incremento della distanza fra essi. Quando i contatti sono disposti come mostrato qui sotto, gli inserti possono essere usati per tensioni fino a 1000V, grado di inquinamento 3, in conformità con la norma EN 61984.

For use up to 500V Pollution degree 3
Per usi fino a 500V Grado di inquinamento 3

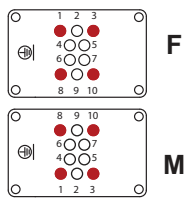
For use up to 690V Pollution degree 3
Per usi fino a 690V Grado di inquinamento 3

For use up to 1000V Pollution degree 3
Per usi fino a 1000V Grado di inquinamento 3

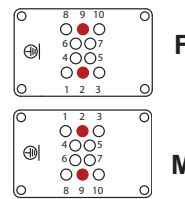
S-EE 10 +



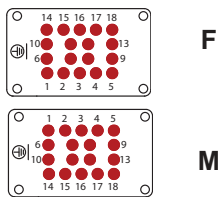
S-EE 4 +



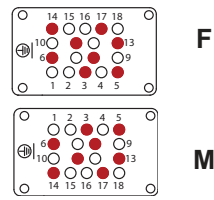
S-EE 2 +



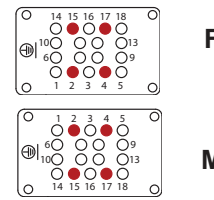
S-EE 18 +



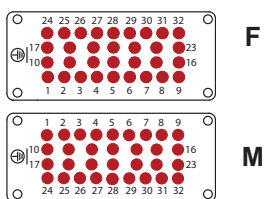
S-EE 8 +



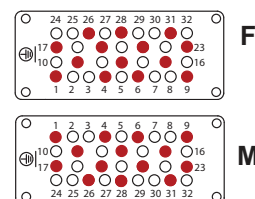
S-EE 4 +



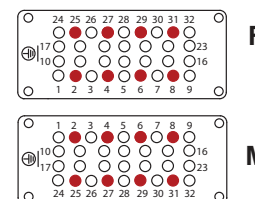
S-EE 32 +



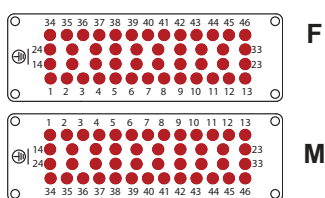
S-EE 14 +



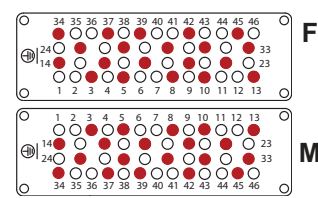
S-EE 8 +



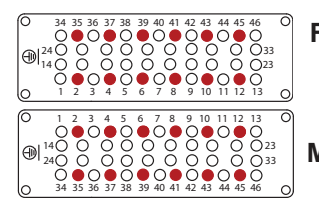
S-EE 46 +



S-EE 20 +







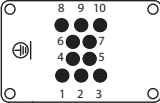
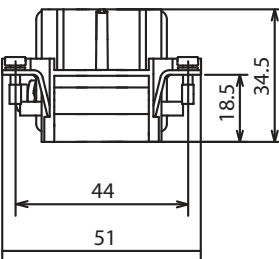
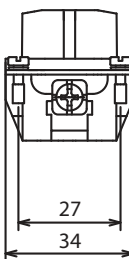
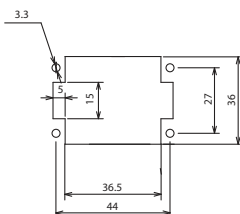




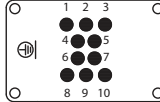
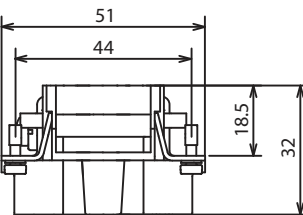
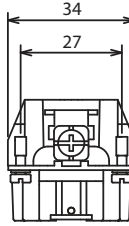
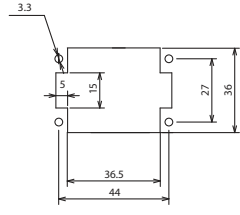
S-EE 12 +





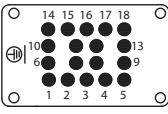
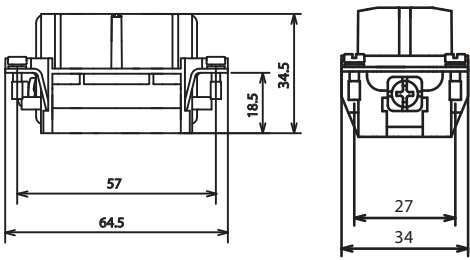
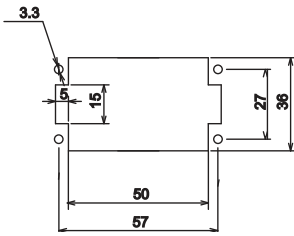




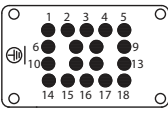
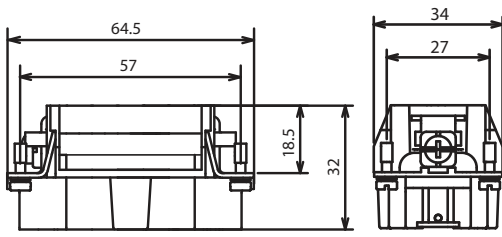
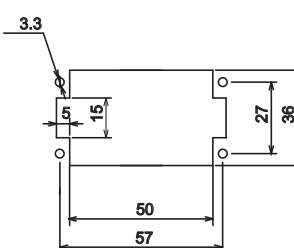




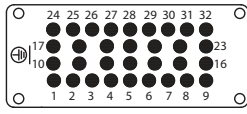
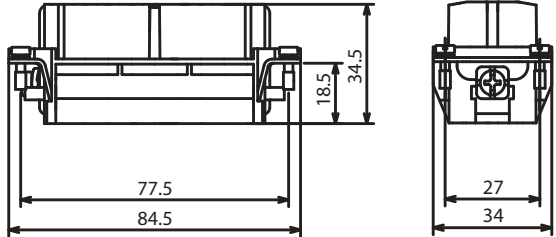
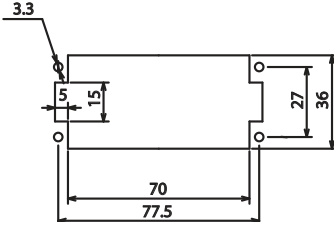


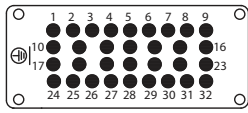
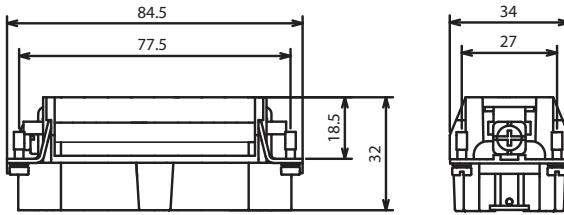
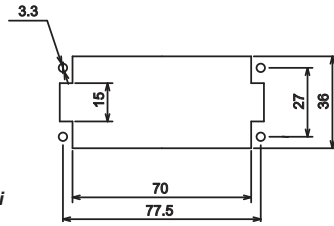
Operating contacts / Contatto operativo





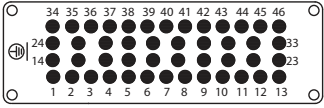
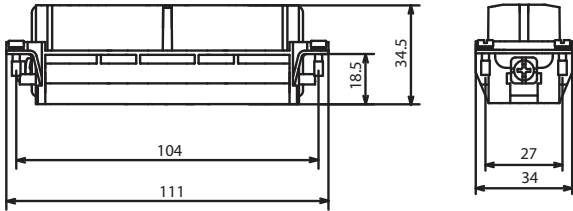
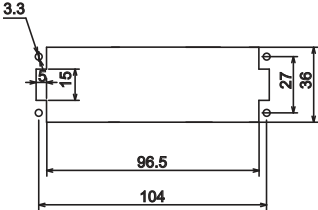




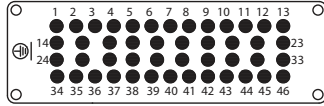
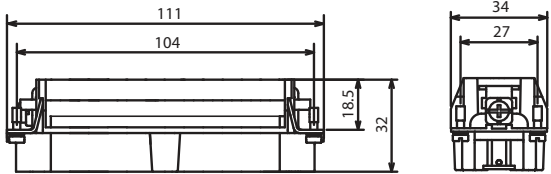
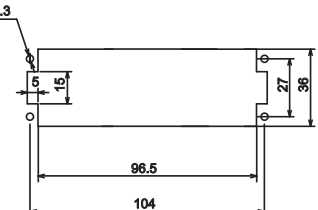
Without contact / Senza contatto





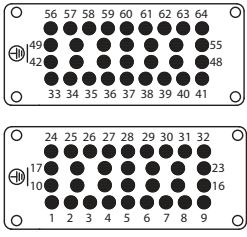
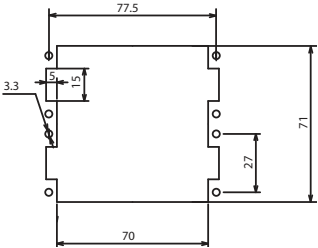




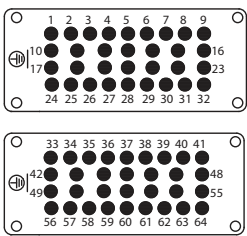
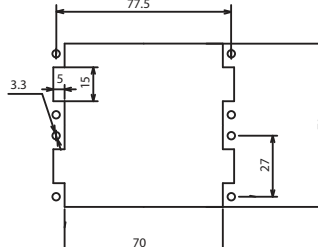
View from terminations side / Vista lato terminazioni





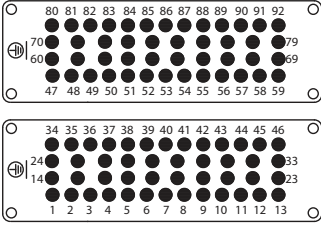
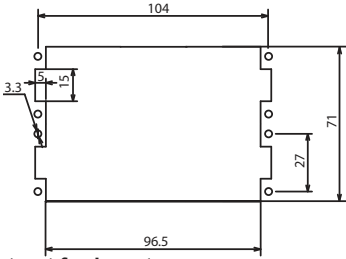




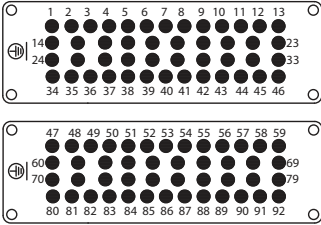
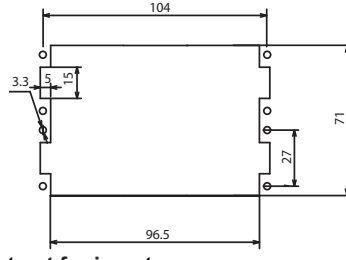
Inserts for crimp contacts Inserti per contatti a crimpare	Size 6B, 10p + ⚡	UL/CSA : 600 V	Part No. Codice
<p> Contact carrier for female contacts Inserto porta contatti per contatti femmina </p>  <p>    </p> <p> Female crimp contacts 16A, 10 pcs Please order contacts separately, page 02.50 </p> <p> Contatti femmina a crimpare 16A, 10 pz Contatti da ordinare separatamente, pag. 02.50 </p>	<p> Contact arrangement View from termination side Disposizione contatti Vista lato terminazioni </p>    <p> Panel cut out for inserts For use without hood/housing Foratura di alloggiamento inserti Per uso senza custodia </p> 		<p>7310.6090.0</p>
<p> Contact carrier for male contacts Inserto porta contatti per contatti maschio </p>  <p>    </p> <p> Male crimp contacts 16A, 10 pcs Please order contacts separately, page 02.50 </p> <p> Contatti maschio a crimpare 16A, 10 pz Contatti da ordinare separatamente, pag. 02.50 </p>	<p> Contact arrangement View from termination side Disposizione contatti Vista lato terminazioni </p>    <p> Panel cut out for inserts For use without hood/housing Foratura di alloggiamento inserti Per uso senza custodia </p> 		<p>7310.6190.0</p>
<p> Hood/housing size 6B «44x27» Custodie grandezza 6B «44x27» </p>	<p> Dimensions in mm Part No. bold letters refer to standard availability. Normal letters refer to items on special request. Dimensioni in mm I codici in grassetto indicano i prodotti di normale disponibilità. Il carattere normale indica i prodotti speciali su richiesta. </p>		<p> Accessories, cable glands and tools see sections 50, 55 e 60 Accessori, pressacavi ed attrezzi vedere sezioni 50, 55 e 60 </p>

Inserts for crimp contacts Inserti per contatti a crimpare	Size 10B, 18p + \oplus UL/CSA : 600 V	Part No. Codice
<p> Contact carrier for female contacts Inserto porta contatti per contatti femmina </p>  <p>    </p> <p> Female crimp contacts 16A, 18 pcs Please order contacts separately, page 02.50 Contatti femmina a crimpare 16A, 18 pz Contatti da ordinare separatamente, pag. 02.50 </p>	<p> Contact arrangement View from termination side Disposizione contatti Vista lato terminazioni </p>    <p> Panel cut out for inserts For use without hood/housing Foratura di alloggiamento inserti Per uso senza custodia </p>	<p>7318.6091.0</p>
<p> Contact carrier for male contacts Inserto porta contatti per contatti maschio </p>  <p>    </p> <p> Male crimp contacts 16A, 18 pcs Please order contacts separately, page 02.50 Contatti maschio a crimpare 16A, 18 pz Contatti da ordinare separatamente, pag. 02.50 </p>	<p> Contact arrangement View from termination side Disposizione contatti Vista lato terminazioni </p>    <p> Panel cut out for inserts For use without hood/housing Foratura di alloggiamento inserti Per uso senza custodia </p>	<p>7318.6191.0</p>
<p> Hood/housing size 10B «57x27» Custodie grandezza 10B «57x27» </p>	<p> Dimensions in mm Part No. bold letters refer to standard availability. Normal letters refer to items on special request. Dimensioni in mm I codici in grassetto indicano i prodotti di normale disponibilità. Il carattere normale indica i prodotti speciali su richiesta. </p>	<p> Accessories, cable glands and tools see sections 50, 55 e 60 Accessori, pressacavi ed attrezzi vedere sezioni 50, 55 e 60 </p>


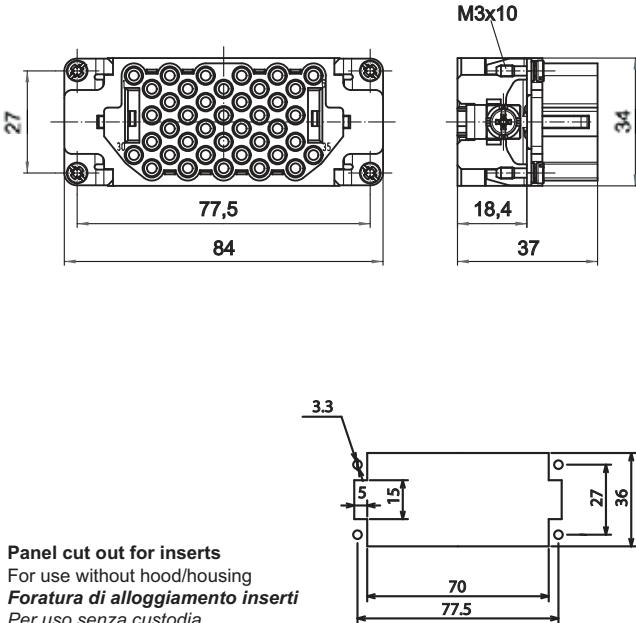

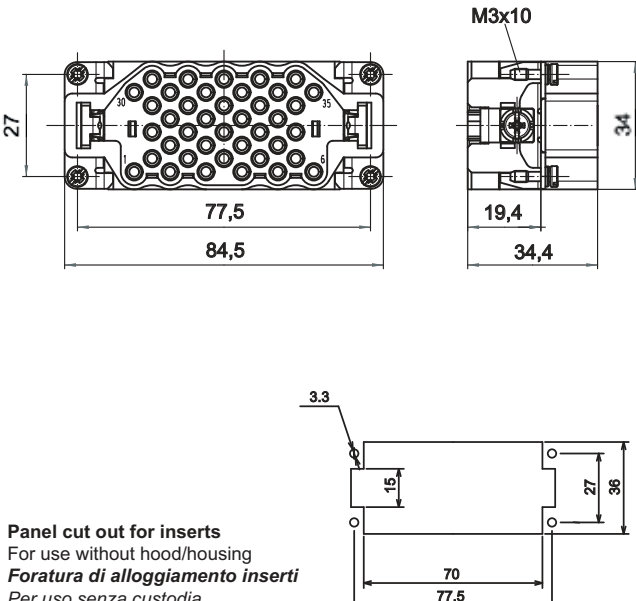
Inserts for crimp contacts <i>Inserti per contatti a crimpare</i>	Size 16B, 32p + ⚡ UL/CSA : 600 V	Part No. Codice
<p> Contact carrier for female contacts <i>Inserto porta contatti per contatti femmina</i> </p>  <p>  </p> <p> Female crimp contacts 16A, 32 pcs Please order contacts separately, page 02.50 </p> <p> <i>Contatti femmina a crimpare 16A, 32 pz</i> <i>Contatti da ordinare separatamente, pag. 02.50</i> </p>	<p> Contact arrangement View from termination side <i>Disposizione contatti</i> <i>Vista lato terminazioni</i> </p>    <p> Panel cut out for inserts For use without hood/housing <i>Foratura di alloggiamento inserti</i> <i>Per uso senza custodia</i> </p>	<p>7332.6092.0</p>
<p> Contact carriers for male contact <i>Inserto porta contatti per contatti maschio</i> </p>  <p>  </p> <p> Male crimp contacts 16A, 32 pcs Please order contacts separately, page 02.50 </p> <p> <i>Contatti maschio a crimpare 16A, 32 pz</i> <i>Contatti da ordinare separatamente, pag. 02.50</i> </p>	<p> Contact arrangement View from termination side <i>Disposizione contatti</i> <i>Vista lato terminazioni</i> </p>    <p> Panel cut out for inserts For use without hood/housing <i>Foratura di alloggiamento inserti</i> <i>Per uso senza custodia</i> </p>	<p>7332.6192.0</p>
<p> Hood/housing size 16B «77x27» <i>Custodie grandezza 16B «77x27»</i> </p>	<p> Dimensions in mm Part No. bold letters refer to standard availability. Normal letters refer to items on special request. <i>Dimensioni in mm I codici in grassetto indicano i prodotti di normale disponibilità. Il carattere normale indica i prodotti speciali su richiesta.</i> </p>	<p> Accessories, cable glands and tools see sections 50, 55 e 60 <i>Accessori, pressacavi ed attrezzi vedere sezioni 50, 55 e 60</i> </p>


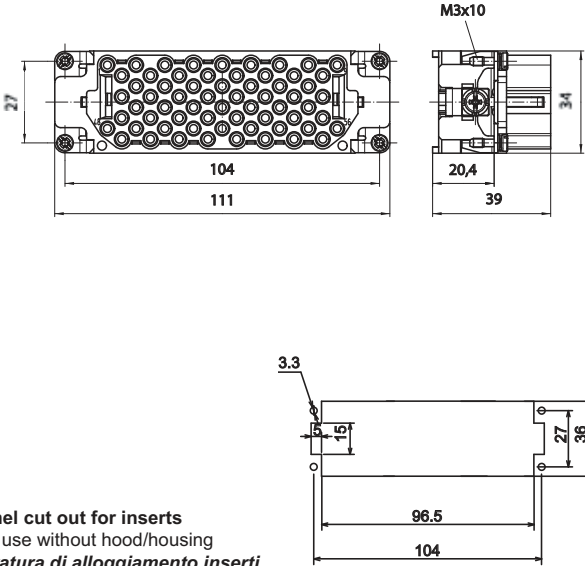

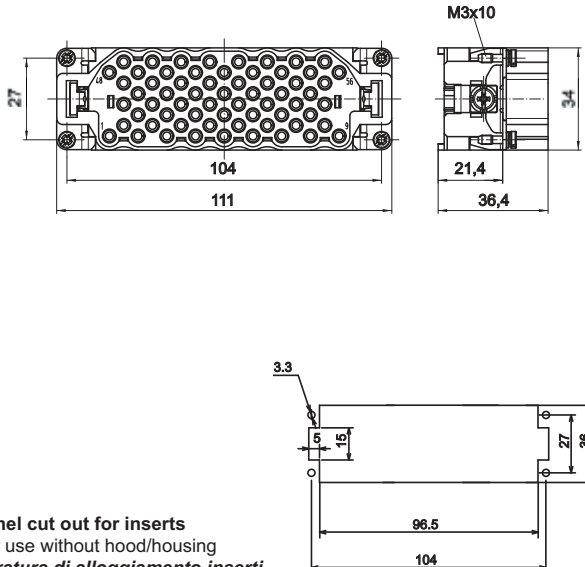
Inserts for crimp contacts Inserti per contatti a crimpare	Size 24B, 46p + Ⓢ UL/CSA : 600 V	Part No. Codice
<p> Contact carrier for female contacts <i>Inserto porta contatti per contatti femmina</i> </p>  <p>    </p> <p> Female crimp contacts 16A, 46 pcs Please order contacts separately, page 02.50 </p> <p> <i>Contatti femmina a crimpare 16A, 46 pz</i> <i>Contatti da ordinare separatamente, pag. 02.50</i> </p>	<p> Contact arrangement View from termination side <i>Disposizione contatti</i> Vista lato terminazioni </p>   <p> Panel cut out for inserts For use without hood/housing <i>Foratura di alloggiamento inserti</i> Per uso senza custodia </p> 	<p style="text-align: center;">7346.6094.0</p>
<p> Contact carriers for male contact <i>Inserto porta contatti per contatti maschio</i> </p>  <p>    </p> <p> Male crimp contacts 16A, 46 pcs Please order contacts separately, page 02.50 </p> <p> <i>Contatti maschio a crimpare 16A, 46 pz</i> <i>Contatti da ordinare separatamente, pag. 02.50</i> </p>	<p> Contact arrangement View from termination side <i>Disposizione contatti</i> Vista lato terminazioni </p>   <p> Panel cut out for inserts For use without hood/housing <i>Foratura di alloggiamento inserti</i> Per uso senza custodia </p> 	<p style="text-align: center;">7346.6194.0</p>
<p> Hood/housing size 24B «104x27» Custodie grandezza 24B «104x27» </p>	<p> Dimensions in mm Part No. bold letters refer to standard availability. Normal letters refer to items on special request. Dimensioni in mm I codici in grassetto indicano i prodotti di normale disponibilità. Il carattere normale indica i prodotti speciali su richiesta. </p>	<p> Accessories, cable glands and tools see sections 50, 55 e 60 Accessori, pressacavi ed attrezzi vedere sezioni 50, 55 e 60 </p>


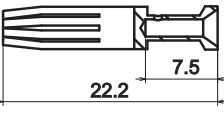

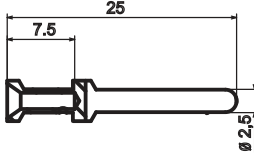
Inserts for crimp contacts Inserti per contatti a crimpare	Size 32B, 64p + Ⓢ UL/CSA : 600 V	Numbering Numerazione	Part No. Codice
<p> Contact carriers for female contacts Inserti porta contatti per contatti femmina </p>  <p>    </p> <p> Female crimp contacts 16A, 64 pcs Please order contacts separately, page 02.50 </p> <p> Contatti femmina a crimpare 16A, 64 pz Contatti da ordinare separatamente, pag. 02.50 </p>	<p> Inserts dimensions see page 02.18 Dimensioni degli inserti vedere pag. 02.18 </p>  <p> Contact arrangement View from termination side Disposizione contatti Vista lato terminazioni </p>  <p> Panel cut out for inserts For use without hood/housing Foratura di alloggiamento inserti Per uso senza custodie </p>	<p>1-32</p> <p>33-64</p>	<p>7332.6092.0</p> <p>7332.6093.0</p>
<p> Contact carriers for male contacts Inserti porta contatti per contatti maschio </p>  <p>    </p> <p> Male crimp contacts 16A, 64 pcs Please order contacts separately, page 02.50 </p> <p> Contatti maschio a crimpare 16A, 64 pz. Contatti da ordinare separatamente, pag. 02.50 </p>	<p> Inserts dimensions see page 02.18 Dimensioni degli inserti vedere pag. 02. </p>  <p> Contact arrangement View from termination side Disposizione contatti Vista lato terminazioni </p>  <p> Panel cut out for inserts For use without hood/housing Foratura di alloggiamento inserti Per uso senza custodie </p>	<p>1-32</p> <p>33-64</p>	<p>7332.6192.0</p> <p>7332.6193.0</p>
<p> Hood/housing size 32B «77x62» Custodie grandezza 32B «77x62» </p>	<p> Dimensions in mm Part No. bold letters refer to standard availability. Normal letters refer to items on special request. Dimensioni in mm I codici in grassetto indicano i prodotti di normale disponibilità. Il carattere normale indica i prodotti speciali su richiesta. </p>		<p> Accessories, cable glands and tools see sections 50, 55 e 60 Accessori, pressacavi ed attrezzi vedere sezioni 50, 55 e 60 </p>

Inserts for crimp contacts Inserti per contatti a crimpare	Size 48B, 92p + Ⓢ UL/CSA : 600 V	Numbering Numerazione	Part No. Codice
<p> Contact carriers for female contacts Inserti porta contatti per contatti femmina </p>  <p>    </p> <p> Female crimp contacts 16A, 92 pcs Please order contacts separately, page 02.50 </p> <p> Contatti femmina a crimpare 16A, 92 pz Contatti da ordinare separatamente, pag. 02.50 </p>	<p> Inserts dimensions see page 02.19 Dimensioni degli inserti vedere pag. 02.19 </p>  <p> Contact arrangement View from termination side Disposizione contatti Vista lato terminazioni </p>  <p> Panel cut out for inserts For use without hood/housing Foratura di alloggiamento inserti Per uso senza custodie </p>	<p>1-46</p> <p>47-92</p>	<p>7346.6094.0</p> <p>7346.6095.0</p>
<p> Contact carriers for male contacts Inserti porta contatti per contatti maschio </p>  <p>    </p> <p> Male crimp contacts 16A, 92 pcs Please order contacts separately, page 02.50 </p> <p> Contatti maschio a crimpare 16A, 92 pz Contatti da ordinare separatamente, pag. 02.50 </p>	<p> Inserts dimensions see page 02.19 Dimensioni degli inserti vedere pag. 02.19 </p>  <p> Contact arrangement View from termination side Disposizione contatti Vista lato terminazioni </p>  <p> Panel cut out for inserts For use without hood/housing Foratura di alloggiamento inserti Per uso senza custodie </p>	<p>1-46</p> <p>47-92</p>	<p>7346.6194.0</p> <p>7346.6195.0</p>
<p> Hood/housing size 48B «104x62» Custodie grandezza 48B «104x62» </p>	<p> Dimensions in mm Part No. bold letters refer to standard availability. Normal letters refer to items on special request. Dimensioni in mm I codici in grassetto indicano i prodotti di normale disponibilità. Il carattere normale indica i prodotti speciali su richiesta. </p>	<p> Accessories, cable glands and tools see sections 50, 55 e 60 Accessori, pressacavi ed attrezzi vedere sezioni 50, 55 e 60 </p>	

Technical characteristics	Caratteristiche tecniche
Specifications: EN 61984, EN 60664-1 UL 1977 CSA C22.2 No. 182.3	Norme di riferimento: EN 61984, EN 60664-1 UL 1977 CSA C22.2 No. 182.3
Approvals: (UL) 	Approvazioni: (UL)
Number of contacts 40, 64 +	Numero dei contatti 40, 64 +
Electrical data acc. to EN 61984 <div style="text-align: right; margin-bottom: 5px;">16A 500V 6kV 3</div>	Caratteristiche elettriche secondo EN 61984 <div style="text-align: right; margin-bottom: 5px;">16A 500V 6kV 3</div>
Current carrying capacity: Please refer to "Electrical engineering data" page 00.30	Portata di corrente: Vedere pagina 00.30 "Caratteristiche elettriche"
Working voltage acc. to UL/CSA 600V Insulation resistance $\geq 10^{10} \Omega$ Material Polycarbonate Limiting temperatures - 40 °C ... + 125 °C Flammability acc. to UL 94 V0 Mechanical working life ≥ 500 cycles	Tensione nominale secondo UL/CSA 600V Resistenza di isolamento $\geq 10^{10} \Omega$ Materiale Policarbonato Limiti di temperatura - 40 °C ... + 125 °C Autoestinguenza UL 94 V0 Vita meccanica ≥ 500 cicli
Contacts: Material Copper alloy Surface Silver plated Gold plated Contact resistance $\leq 1 \text{ m} \Omega$ Crimp terminal, turned see page 02.50 - mm ² 0.14÷4.0 - AWG 26 - 12	Contatti: Materiale Lega di rame Finitura: Argentati Dorati Resistenza di contatto $\leq 1 \text{ m} \Omega$ Terminali a crimpare, torniti ved. pag. 02.50 - mm ² 0.14÷4.0 - AWG 26 - 12
For solid or stranded wires	Per fili rigidi o flessibili
Recommended enclosures: Section:21,22,23, 25,26,27,30	Custodie suggerite: Sezioni: 21,22,23,25,26,27,30
Type: STD, HE, EMC, HP-HE	Tipo STD, HE, EMC, HP-HE
Material Die cast aluminium Surface Powder coated Locking elements With metal lever or screws Hoods/Housings seal NBR Limiting temperatures -40 °C ... + 125 °C Degree of protection acc. to EN 60529 for coupled connectors IP66 or IP68 (HP-HE) Thread Metric - EN 50262 Pg - DIN 40430	Materiale Fusione di alluminio Superficie Verniciatura a polvere Dispositivo di chiusura Con leva metallica o viti Guarnizione NBR Limiti di temperatura -40 °C ... + 125 °C Grado di protezione secondo EN 60529 connettori accoppiati IP66 o IP68 (HP-HE) Filettature Metrica - EN 50262 Pg - DIN 40430
<p style="text-align: center; color: red;">According to EN61984 connectors should not be coupled and decoupled under electrical load.</p>	<p style="text-align: center; color: red;">Secondo la norma EN61984 i connettori non devono essere connessi e sconnessi sotto carico</p>

Inserts for crimp contacts Inserti per contatti a crimpare	Size 16B, 40 P 16A + ⚡	UL/CSA : 600 V	Part No. Codice
<p>Contact carrier for female contacts Inserto porta contatti per contatti femmina</p>  <p>UL CE RoHS</p> <p>Female crimp contacts 16A, 40 pcs Please order separately, page 02.50 Contatti femmina a crimpare, 40 pz Contatti da ordinare separatamente pag. 02.50</p>	 <p>Panel cut out for inserts For use without hood/housing Foratura di alloggiamento inserti Per uso senza custodia</p>		<p>7340.6096.0</p>
<p>Contact carrier for male contacts Inserto porta contatti per contatti maschio</p>  <p>UL CE RoHS</p> <p>Male crimp contacts 16A, 40 pcs Please order separately, page 02.50 Contatti maschio a crimpare, 40 pz Contatti da ordinare separatamente pag. 02.50</p>	 <p>Panel cut out for inserts For use without hood/housing Foratura di alloggiamento inserti Per uso senza custodia</p>		<p>7340.6196.0</p>
<p>Hood/housing size 16B «77x27» Custodie grandezza 16B «77x27»</p>	<p>Dimensions in mm Part No. bold letters refer to standard availability. Normal letters refer to items on special request. Dimensioni in mm I codici in grassetto indicano i prodotti di normale disponibilità. Il carattere normale indica i prodotti speciali su richiesta.</p>	<p>Accessories, cable glands and tools see sections 50, 55 e 60 Accessori, pressacavi ed attrezzi vedere sezioni 50, 55 e 60</p>	

Inserts for crimp contacts Inserti per contatti a crimpare	Size 24B, 64p + ⊕	UL/CSA : 600 V	Part No. Codice
<p>Contact carrier for female contacts Inserto porta contatti per contatti femmina</p>  <p>RU CE RoHS</p> <p>Female crimp contacts 16A, 64 pcs Please order separately, page 02.50 Contatti femmina a crimpare, 64 pz Contatti da ordinare separatamente pag. 02.50</p>	 <p>Panel cut out for inserts For use without hood/housing Foratura di alloggiamento inserti Per uso senza custodia</p>		<p>7364.6097.0</p>
<p>Contact carrier for male contacts Inserto porta contatti per contatti maschio</p>  <p>RU CE RoHS</p> <p>Male crimp contacts 16A, 64 pcs Please order separately, page 02.50 Contatti maschio a crimpare, 64 pz Contatti da ordinare separatamente pag. 02.50</p>	 <p>Panel cut out for inserts For use without hood/housing Foratura di alloggiamento inserti Per uso senza custodia</p>		<p>7364.6197.0</p>
<p>Hood/housing size 24B «104x27» Custodie grandezza 24B «104x27»</p>	<p>Dimensions in mm Part No. bold letters refer to standard availability. Normal letters refer to items on special request. Dimensioni in mm I codici in grassetto indicano i prodotti di normale disponibilità. Il carattere normale indica i prodotti speciali su richiesta.</p>	<p>Accessories, cable glands and tools see sections 50, 55 e 60 Accessori, pressacavi ed attrezzi vedere sezioni 50, 55 e 60</p>	

Female crimp contacts, turned Contatti femmina a crimpare torniti	No. of grooves Num. gole	Wire mm ² Filo mm ²	Wire gauge Calibro filo	Part No.- Codice		
				Silver plated Argentati	Gold plated Dorati	
  <p> <ul style="list-style-type: none"> - Material: Copper alloy - <i>Materiale:</i> Lega di rame - Surface: Silver or gold plated - <i>Finitura:</i> Argentati o dorati - Stripping length: 7,5 mm - <i>Lunghezza di spellatura:</i> 7,5 mm - Identification: By grooves - <i>Identificazione:</i> Tramite gole </p>	0	0.14 - 0.37	26-22 AWG	7300.6240.0	7300.6240.1	
	0	0.5	20 AWG	7300.6241.0	7300.6241.1	
	1	0.75	18 AWG	7300.6239.0	7300.6239.1	
	1	1.0	18 AWG	7300.6242.0	7300.6242.1	
	2	1.5	16 AWG	7300.6243.0	7300.6243.1	
	3	2.5	14 AWG	7300.6244.0	7300.6244.1	
	1 Wide	3.0	12 AWG	7300.6238.0	7300.6238.1	
	0	4.0	12 AWG	7300.6245.0	7300.6245.1	
	<p>For the best performance and the lowest contact resistance, Molex recommends the use of manual tools, die sets and machines illustrated in the section 60 of this catalogue</p> <p><i>Per le migliori caratteristiche e la minima resistenza di contatto, si raccomanda l'utilizzo delle pinze manuali, gli applicatori e le macchine illustrate nella sezione 60 di questo catalogo</i></p>					
	Male crimp contacts, turned Contatti maschio a crimpare torniti	No. of grooves Num. gole	Wire mm ² Filo mm ²	Wire gauge Calibro filo	Part No.- Codice	
				Silver plated Argentati	Gold plated Dorati	
  <p> <ul style="list-style-type: none"> - Material: Copper alloy - <i>Materiale:</i> Lega di rame - Surface: Silver or gold plated - <i>Finitura:</i> Argentati o dorati - Stripping length: 7,5 mm - <i>Lunghezza di spellatura:</i> 7,5 mm - Identification: By grooves - <i>Identificazione:</i> Tramite gole </p>	0	0.14 - 0.37	26-22 AWG	7300.6237.0	7300.6237.1	
	0	0.5	20 AWG	7300.6246.0	7300.6246.1	
	1	0.75	18 AWG	7300.6236.0	7300.6236.1	
	1	1.0	18 AWG	7300.6247.0	7300.6247.1	
	2	1.5	16 AWG	7300.6248.0	7300.6248.1	
	3	2.5	14 AWG	7300.6249.0	7300.6249.1	
	1 Wide	3.0	12 AWG	7300.6235.0	7300.6235.1	
	0	4.0	12 AWG	7300.6250.0	7300.6250.1	
	<p>For the best performance and the lowest contact resistance, Molex recommends the use of manual tools, die sets and machines illustrated in the section 60 of this catalogue</p> <p><i>Per le migliori caratteristiche e la minima resistenza di contatto, si raccomanda l'utilizzo delle pinze manuali, gli applicatori e le macchine illustrate nella sezione 60 di questo catalogo</i></p>					
	<p>For inserts - Per inserti: S-A, S-E, S-EE, S-EEE, S-K, S-EHV, S-Q, S-QD, S-M</p>	<p>Dimensions in mm Part No. bold letters refer to standard availability. Normal letters refer to items on special request. Dimensioni in mm I codici in grassetto indicano i prodotti di normale disponibilità. Il carattere normale indica i prodotti speciali su richiesta.</p>			<p>Crimping tools: see section 60 <i>Attrezzi per crimpare: vedere sezione 60</i></p>	

Features and applications - Caratteristiche ed applicazioni

The S-EAV multipole connectors (with incorporated terminal block) are recommended for greater cost-saving and safety and are for machines, command and control panels use.

For control panel mounting, bulkhead housings must be used.

This makes possible to maintain the IP66 degree of protection (in accordance with EN 60529) for coupled housing-mounted connectors.

The S-EAV inserts are supplied in male or female versions and are mounted from the front of the enclosure (see Figure 1 for all the polarities of the inserts) or from the rear of the enclosure (Figure 2 for 16 and 24 pole inserts only).

The inserts can be mounted inside the control panels on DIN EN rails (Figure 5) using suitable accessories providing the added advantage of easy sectioning.

The special structure of the S-EAV inserts have all the conductor connections on the same side allowing easier wiring and an unobstructed view of the work area.

The terminal block also has slots for housing the wire identification markers of each contact. Wire markers from different manufacturers may be used.

The S-EAV is available in left and right versions for mounting on the left (Figure 3) or on the right (Figure 4) of the control panel walls.

This characteristic is determined by the position of the contact "1" and the ground terminal in the upper part of the insert terminal block for both left and right mounting.

The installation of inserts on DIN rails (Figure 5) inside the control panels is usually made to facilitate the wiring into sectionable parts.

In this case the degree of protection for coupled connectors is IP 20.

This type of mounting requires supports to be provided to the inserts suitable for mounting on DIN EN 60715 rails.

In addition, female and male coupling screws are recommended for fixing the inserts to the enclosures (Figure 5) in order to guarantee a stable and safe coupling between the S-EAV inserts installed on the DIN rails and corresponding S-E inserts.

Si consiglia l'impiego dei connettori multipolari della serie S-EAV (con morsettiera incorporata) per un maggior risparmio e sicurezza nella realizzazione di connessioni a bordo macchina e in quadri elettrici per il comando ed il controllo.

Nel montaggio sul quadro è necessario impiegare custodie da incasso: ciò consente di mantenere il grado di protezione IP66 (secondo EN 60529) per connettori montati in custodia ed accoppiati.

Gli inserti serie S-EAV vengono forniti in versione maschio o femmina e possono essere montati con inserimento frontale (Fig.1, per tutte le polarità dei frutti) o inserimento dal retro della custodia (Fig.2, solo per i frutti 16 e 24 poli).

Con gli appositi accessori i frutti possono essere montati su guide DIN EN (fig.5) all'interno di quadri ed in alternativa alle morsettiere tradizionali con il conseguente vantaggio di un facile sezionamento.

La particolare struttura degli inserti S-EAV, avendo tutti i punti di connessione conduttori disposti su uno stesso lato, permette un facile cablaggio ed una visione completa della zona di lavoro.

Inoltre la morsettiera dispone di alloggiamenti per collocare marcapoli di identificazione di ciascun contatto. E' possibile utilizzare marcapoli di diverse case produttrici.

La serie S-EAV è realizzata in versioni rispettivamente "sinistra" e "destra" per consentire installazioni con montaggio a sinistra (Fig.3) o a destra (Fig.4) delle pareti dei quadri.

Questa caratterizzazione è determinata dalla scelta di posizionare il contatto "1" ed il morsetto di terra nella parte superiore della morsettiera dei frutti nei casi di montaggio sia destro che sinistro.

L'installazione dei frutti su guide DIN (Fig.5) all'interno dei quadri di comando viene normalmente realizzata per facilitare il cablaggio in parti sezionabili.

In questo caso il grado di protezione per connettori accoppiati è IP20.

Per realizzare questo tipo di montaggio occorre corredare i frutti di appositi supporti adatti al montaggio su guide DIN EN 60715.

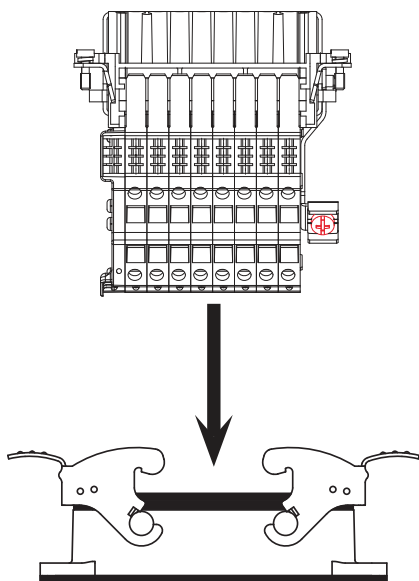
Inoltre per garantire un accoppiamento stabile e sicuro tra gli inserti S-E, ecc., è raccomandabile l'impiego delle speciali viti di accoppiamento da sostituire alle normali viti di fissaggio alle custodie (Fig.5).

Figure 1 (front mounting)

The insert is inserted into the bulkhead housing without wired conductors or with pre-wired conductors that are not connected to the opposite end.

Figura 1 (montaggio da fronte custodia)

L'inserto viene inserito nella custodia da incasso senza conduttori cablati o con conduttori già cablati e liberi alla estremità opposta



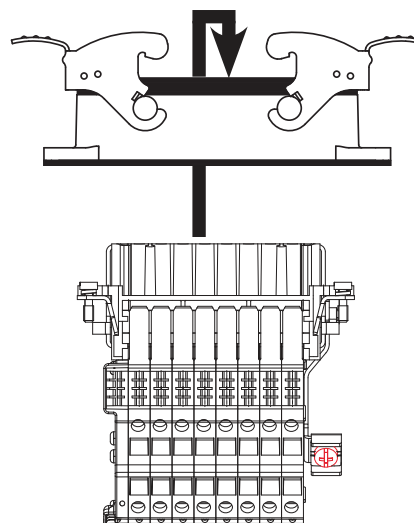
Mounting for inserts of: 06, 10, 16 and 24 poles.
Montaggio previsto per inserti : 06,10,16 e 24 poli.

Figure 2 (rear mounting)

The insert is inserted into the bulkhead housing with pre-wired conductors connected to the opposite end.

Figura 2 (montaggio da retro custodia)

L'inserto viene inserito nella custodia da incasso con conduttori già cablati e connessi alla estremità opposta.



Mounting for inserts of 16 and 24 poles
Montaggio previsto per inserti 16 e 24 poli

Figure 3 (left mounting)
 Figura 3 (montaggio sinistro)

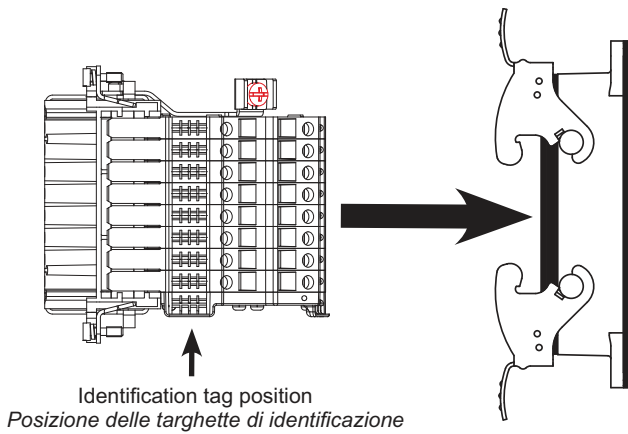


Figure 4 (right mounting)
 Figura 4 (montaggio destro)

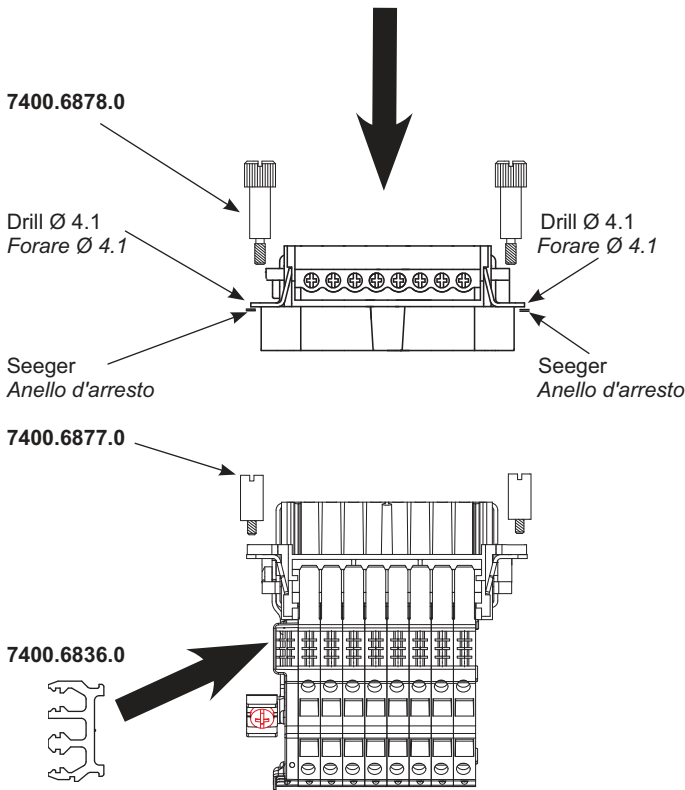
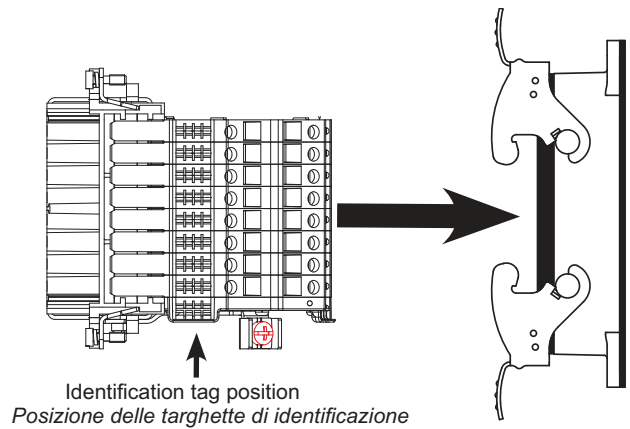
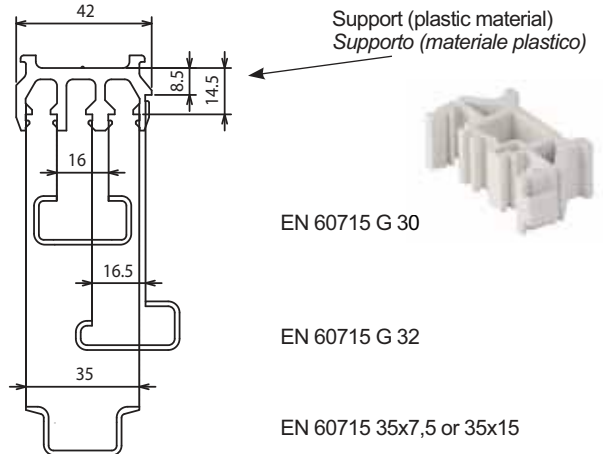


Figure 5 (mounting on DIN rails)
 Figura 5 (montaggio su guida DIN)

Part No.: **7400.6836.0**
Support for DIN rail
Supporto per guida DIN
 Possibility of coupling on DIN rails (for a greater stability of the inserts of 16 and 24 poles we recommend to use two supports)
 Possibilità di accoppiamento a guide DIN EN 60715 (Per una maggiore stabilità degli inserti 16 poli e 24 poli si raccomanda l'utilizzo di due supporti)



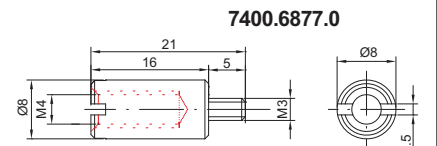
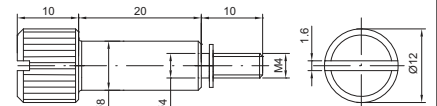
Coupling screws for inserts without enclosures

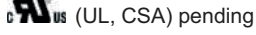





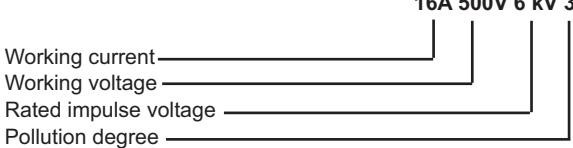
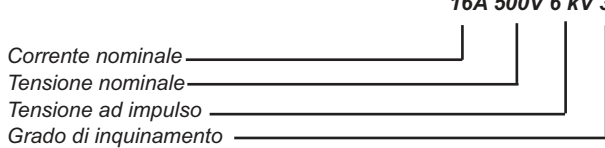
The use of **7400.6877.0** (female) and **7400.6878.0** (male) coupling screws is recommended to guarantee the stable and safe coupling between inserts without enclosures.


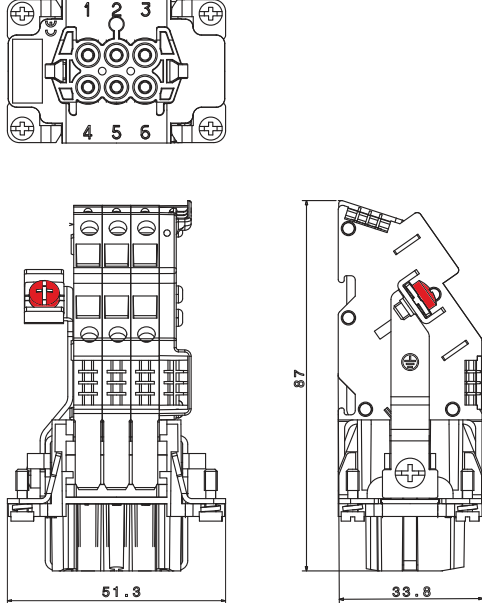

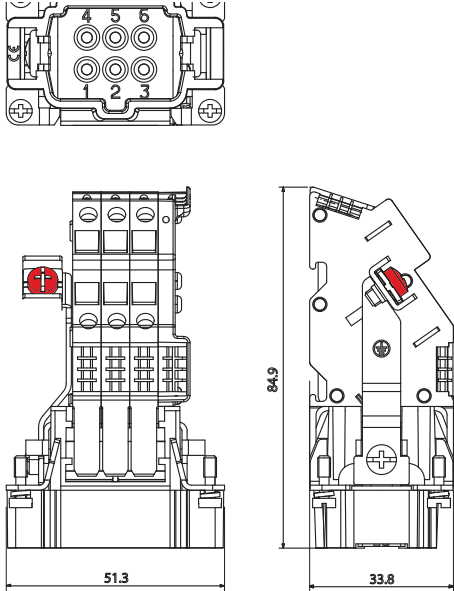
Impiego di viti di accoppiamento per inserti senza custodie


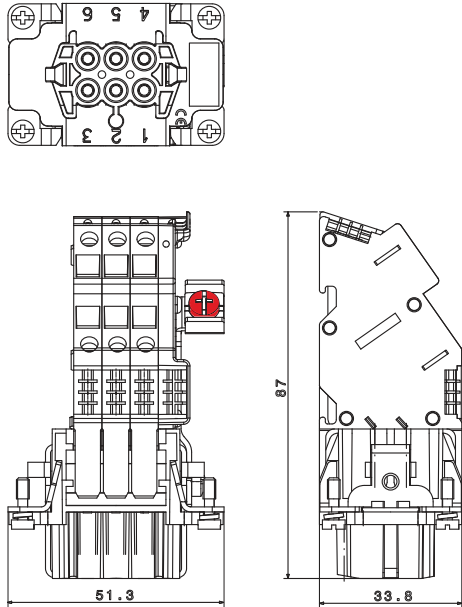

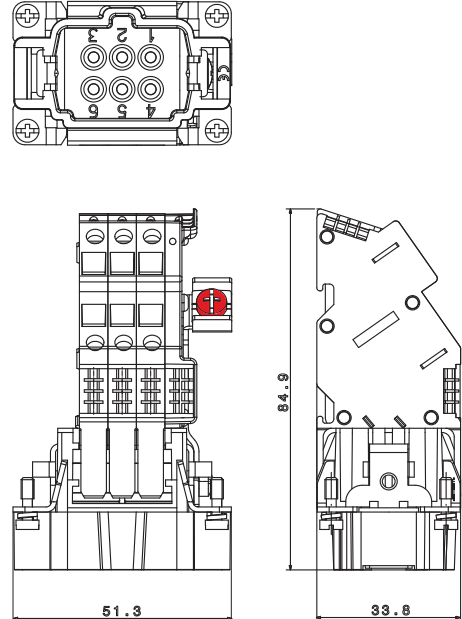
Per garantire un accoppiamento stabile e sicuro fra gli inserti senza custodie è raccomandabile l'impiego delle viti di accoppiamento **7400.6877.0** (femmina) e **7400.6878.0** (maschio) da sostituire alle normali viti di fissaggio alle custodie.


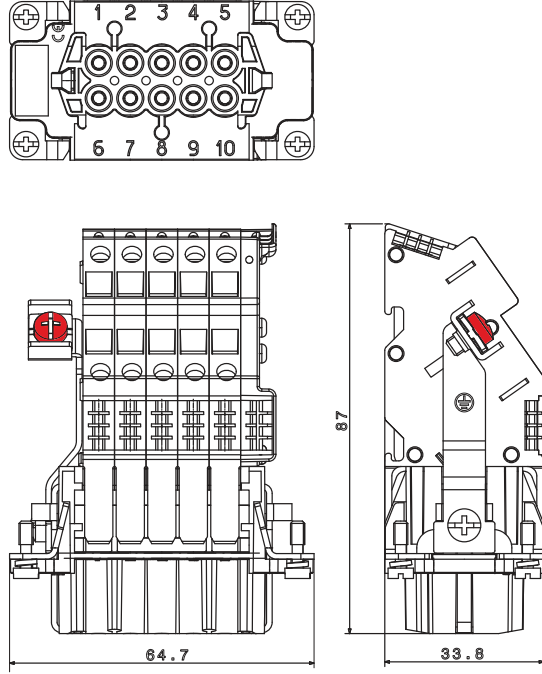

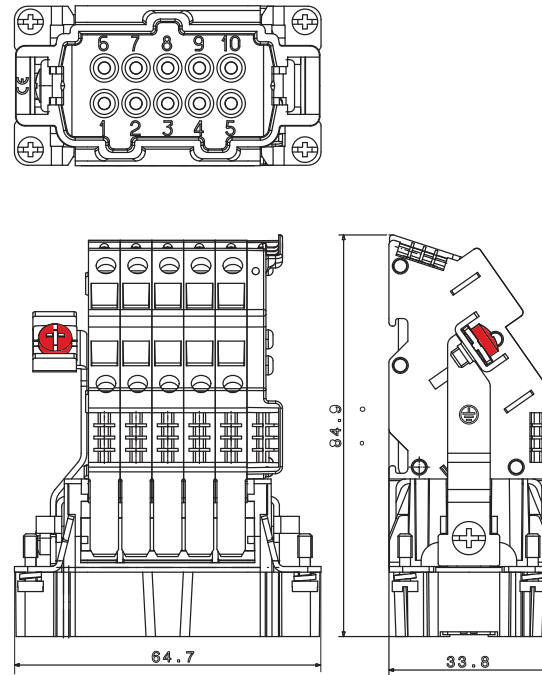
- Inserts coupling screws
- Viti di accoppiamento


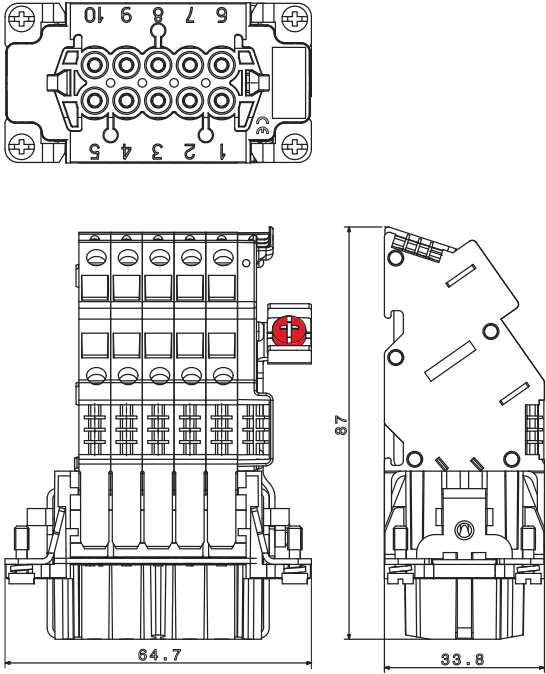

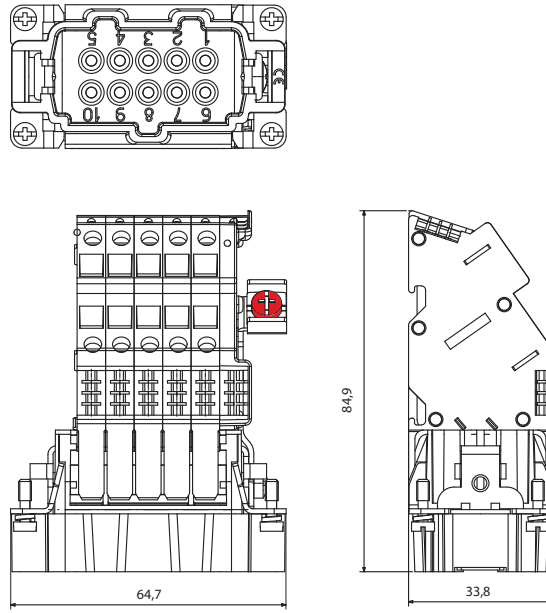



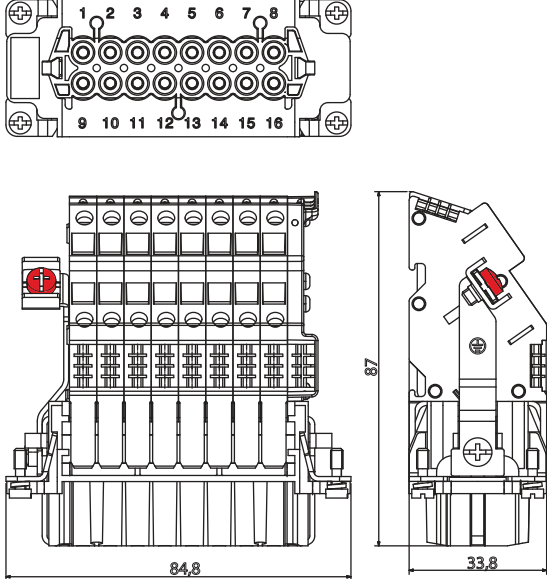

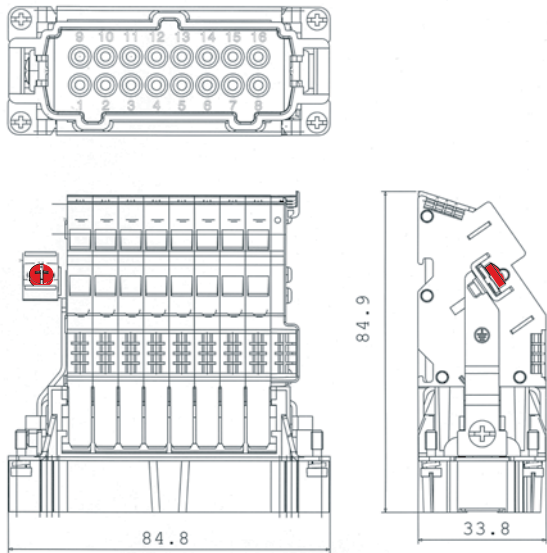
Technical characteristics	Caratteristiche tecniche
<p>Specifications: EN 61984, EN 60664-1 UL 1977 CSA C22.2 No. 182.3</p>	<p>Norme di riferimento: EN 61984, EN 60664-1 UL 1977 CSA C22.2 No. 182.3</p>
<p>Approvals:  (UL, CSA) pending</p> <p></p>	<p>Approvazioni:  (UL, CSA) in approvazione</p> <p></p>
<p>Number of contacts 6,10,16, 24 + </p>	<p>Numero dei contatti 6,10,16, 24+ </p>
<p>Electrical data acc. to EN 61984</p> <p style="text-align: right;">16A 500V 6 kV 3</p> 	<p>Caratteristiche elettriche secondo EN 61984</p> <p style="text-align: right;">16A 500V 6 kV 3</p> 
<p>Pollution degree 2 also 16A 400/690V 6kV 2</p>	<p>Con grado di inquinamento 2 16A 400/690V 6kV 2</p>
<p>Current carrying capacity: Please refer to "Electrical engineering data" page 00.28</p>	<p>Portata di corrente: Vedere pag. 00.28 "Caratteristiche elettriche"</p>
<p>Working voltage acc. to UL/CSA 600V Insulation resistance $\geq 10^{10} \Omega$ Material Polycarbonate Limiting temperatures - 40 °C ... + 125 °C Flammability acc. to UL 94 V0 - GWT 960° Mechanical working life ≥ 500 cycles</p>	<p>Tensione nominale secondo UL/CSA 600V Resistenza di isolamento $\geq 10^{10} \Omega$ Materiale Polycarbonato Limiti di temperatura - 40 °C ... + 125 °C Autoestinguenza UL 94 V0 - GWT 960° Vita meccanica ≥ 500 cicli</p>
<p>Contacts:</p> <p>Material copper alloy Surface Silver plated Contact resistance $\leq 4 \text{ m} \Omega$ Screw terminal - mm² 0.2-2,5 - AWG 24 – 14 - Tightening torque 0.5 Nm - Stripping length 12 mm</p>	<p>Contatti:</p> <p>Materiale Lega di rame Finitura zona di contatto Argentati Resistenza di contatto $\leq 4 \text{ m} \Omega$ Terminali a vite - mm² 0.2-2,5 - AWG 24 – 14 - Coppia di serraggio 0.5 Nm - Lunghezza spellatura 12 mm</p>
<p>Identification tags: See section 55</p>	<p>Targhette di identificazione: Vedere section 55</p>
<p>For solid or stranded wires</p>	<p>Per fili rigidi o flessibili</p>
<p>Recommended enclosures: See section 21,22,23, 25,26,27,30</p>	<p>Custodie suggerite: Vedere sezioni 21,22,23, 25,26,27,30</p>
<p>Type: STD, HE, EMC, HP-HE Bulkhead housings</p>	<p>Tipo: STD, HE, EMC, HP-HE Custodie da incasso</p>
<p>Material Die cast aluminium Surface Powder coated Locking elements With metal lever or screws Hoods/Housings seal NBR Limiting temperatures -40 °C ... + 125 °C Degree of protection acc. to EN 60529 for coupled connectors IP66 or IP68 (HP-HE) Thread Metric - EN 50262 Pg - DIN 40430</p>	<p>Materiale Fusione di alluminio Superficie Verniciatura a polvere Dispositivo di chiusura Con leva metallica o viti Guarnizione NBR Limiti di temperatura -40 °C ... + 125 °C Grado di protezione secondo EN 60529 connettori accoppiati IP66 o IP68 (HP-HE) Filettature Metrica - EN 50262 Pg - DIN 40430</p>
<p>Accessories: See page 55.09</p>	<p>Accessori: Vedere pag. 55.09</p>
<p>According to EN61984 connectors should not be coupled and decoupled under electrical load.</p>	<p>Secondo la norma EN61984 i connettori non devono essere connessi e sconnessi sotto carico</p>

Female and male inserts with screw terminal block Inserti maschio e femmina con terminali a vite e morsetti		UL/CSA : 600V	Part No. Codice
<p>CE RoHS</p>  <p>Female inserts: Contact for wire section 0.2-2.5 mm² (24-14AWG) Silver plated contacts</p> <p>Inserti femmina : Contatti per fili di sezione 0.2-2.5 mm² (24-14AWG) Contatti argentati</p>	<p>Left ground terminal Terminale di terra sinistro</p> 	<p>7406.6011.0</p>	
<p>CE RoHS</p>  <p>Male inserts: Contact for wire section 0.2-2.5 mm² (24-14AWG) Silver plated contacts</p> <p>Inserti maschio : Contatti per fili di sezione 0.2-2.5 mm² (24-14AWG) Contatti argentati</p>	<p>Left ground terminal Terminale di terra sinistro</p> 	<p>7406.6111.0</p>	
<p>Hood/housing size 6B «44x27» Custodie grandezza 6B «44x27»</p>	<p>Dimensions in mm. Part No. bold letters refer to standard availability. Normal letters refer to items on special request. Dimensioni in mm. I codici in grassetto indicano i prodotti di normale disponibilità. Il carattere normale indica i prodotti speciali su richiesta.</p>	<p>Accessories, cable glands and tools see sections 50, 55 e 60 Accessori, pressacavi ed attrezzi vedere sezioni 50, 55 e 60</p>	

Female and male inserts with screw terminal block Inserti maschio e femmina con terminali a vite e morsetti		UL/CSA : 600V	Part No. Codice
<p>CE RoHS</p>  <p>Female inserts: Contact for wire section 0.2-2.5 mm² (24-14AWG) Silver plated contacts</p> <p>Inserti femmina : Contatti per fili di sezione 0.2-2.5 mm² (24-14AWG) Contatti argentati</p>	<p>Right ground terminal Terminale di terra destro</p> 	<p>7406.6012.0</p>	
<p>CE RoHS</p>  <p>Male inserts: Contact for wire section 0.2-2.5 mm² (24-14AWG) Silver plated contacts</p> <p>Inserti maschio : Contatti per fili di sezione 0.2-2.5 mm² (24-14AWG) Contatti argentati</p>	<p>Right ground terminal Terminale di terra destro</p> 	<p>7406.6112.0</p>	
<p>Hood/housing size 6B «44x27» Custodie grandezza 6B «44x27»</p>	<p>Dimensions in mm. Part No. bold letters refer to standard availability. Normal letters refer to items on special request. Dimensioni in mm. I codici in grassetto indicano i prodotti di normale disponibilità. Il carattere normale indica i prodotti speciali su richiesta.</p>	<p>Accessories, cable glands and tools see sections 50, 55 e 60 Accessori, pressacavi ed attrezzi vedere sezioni 50, 55 e 60</p>	


Female and male inserts with screw terminal block <i>Inserti maschio e femmina con terminali a vite e morsetti</i>		UL/CSA : 600V	Part No. Codice
<p>CE (RoHS)</p>  <p>Female inserts: Contact for wire section 0.2-2.5 mm² (24-14AWG) Silver plated contacts</p> <p>Inserti femmina : Contatti per fili di sezione 0.2-2.5 mm² (24-14AWG) Contatti argentati</p>	<p>Left ground terminal <i>Terminale di terra sinistro</i></p> 	<p>7410.6013.0</p>	
<p>CE (RoHS)</p>  <p>Male inserts: Contact for wire section 0.2-2.5 mm² (24-14AWG) Silver plated contacts</p> <p>Inserti maschio : Contatti per fili di sezione 0.2-2.5 mm² (24-14AWG) Contatti argentati</p>	<p>Left ground terminal <i>Terminale di terra sinistro</i></p> 	<p>7410.6113.0</p>	
<p>Hood/housing size 10B «57x27» <i>Custodie grandezza 10B «57x27»</i></p>	<p>Dimensions in mm. Part No. bold letters refer to standard availability. Normal letters refer to items on special request. <i>Dimensioni in mm. I codici in grassetto indicano i prodotti di normale disponibilità. Il carattere normale indica i prodotti speciali su richiesta.</i></p>	<p>Accessories, cable glands and tools see sections 50, 55 e 60 <i>Accessori, pressacavi ed attrezzi vedere sezioni 50, 55 e 60</i></p>	

Female and male inserts with screw terminal block <i>Inserti maschio e femmina con terminali a vite e morsetti</i>		UL/CSA : 600V	Part No. Codice
<p>CE RoHS</p>  <p>Female inserts:</p> <p>Contact for wire section 0.2-2.5 mm² (24-14AWG) Silver plated contacts</p> <p>Inserti femmina :</p> <p>Contatti per fili di sezione 0.2-2.5 mm² (24-14AWG) Contatti argentati</p>	<p>Right ground terminal <i>Terminale di terra destro</i></p> 	<p>7410.6014.0</p>	
<p>CE RoHS</p>  <p>Male inserts:</p> <p>Contact for wire section 0.2-2.5 mm² (24-14AWG) Silver plated contacts</p> <p>Inserti maschio :</p> <p>Contatti per fili di sezione 0.2-2.5 mm² (24-14AWG) Contatti argentati</p>	<p>Right ground terminal <i>Terminale di terra destro</i></p> 	<p>7410.6114.0</p>	
<p>Hood/housing size 10B «57x27» <i>Custodie grandezza 10B «57x27»</i></p>	<p>Dimensions in mm. Part No. bold letters refer to standard availability. Normal letters refer to items on special request. <i>Dimensioni in mm. I codici in grassetto indicano i prodotti di normale disponibilità. Il carattere normale indica i prodotti speciali su richiesta.</i></p>	<p>Accessories, cable glands and tools see sections 50, 55 e 60 <i>Accessori, pressacavi ed attrezzi vedere sezioni 50, 55 e 60</i></p>	

Female and male inserts with screw terminal block Inserti maschio e femmina con terminali a vite e morsetti		UL/CSA : 600V	Part No. Codice
<p>CE (RoHS)</p>  <p>Female inserts: Contact for wire section 0.2-2.5 mm² (24-14AWG) Silver plated contacts</p> <p>Inserti femmina : Contatti per fili di sezione 0.2-2.5 mm² (24-14AWG) Contatti argentati</p>	<p>Left ground terminal Terminale di terra sinistro</p> 	<p>7416.6015.0</p>	
<p>CE (RoHS)</p>  <p>Male inserts: Contact for wire section 0.2-2.5 mm² (24-14AWG) Silver plated contacts</p> <p>Inserti maschio : Contatti per fili di sezione 0.2-2.5 mm² (24-14AWG) Contatti argentati</p>	<p>Left ground terminal Terminale di terra sinistro</p> 	<p>7416.6115.0</p>	
<p>Hood/housing size 16B «77x27» Custodie grandezza 16B «77x27»</p>	<p>Dimensions in mm. Part No. bold letters refer to standard availability. Normal letters refer to items on special request. Dimensioni in mm. I codici in grassetto indicano i prodotti di normale disponibilità. Il carattere normale indica i prodotti speciali su richiesta.</p>	<p>Accessories, cable glands and tools see sections 50, 55 e 60 Accessori, pressacavi ed attrezzi vedere sezioni 50, 55 e 60</p>	

Female and male inserts with screw terminal block
Inserti maschio e femmina con terminali a vite e morsetti UL/CSA : 600V **Part No. Codice**

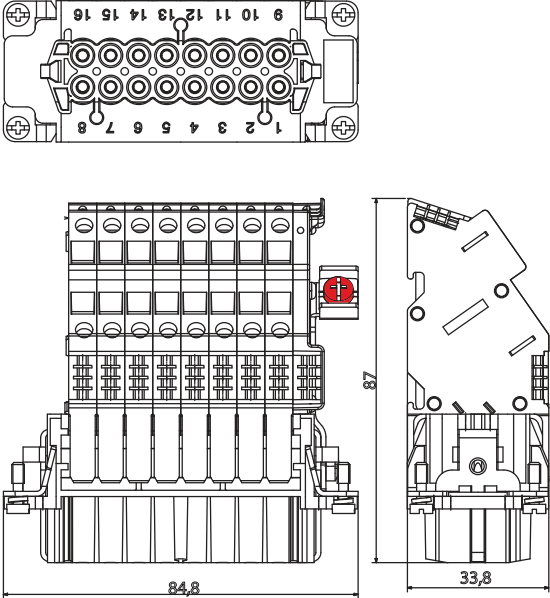
CE **RoHS**



Female inserts:
 Contact for wire section
 0.2-2.5 mm² (24-14AWG)
 Silver plated contacts

Inserti femmina :
 Contatti per fili di sezione
 0.2-2.5 mm² (24-14AWG)
 Contatti argentati

Right ground terminal
Terminale di terra destro



7416.6016 .0

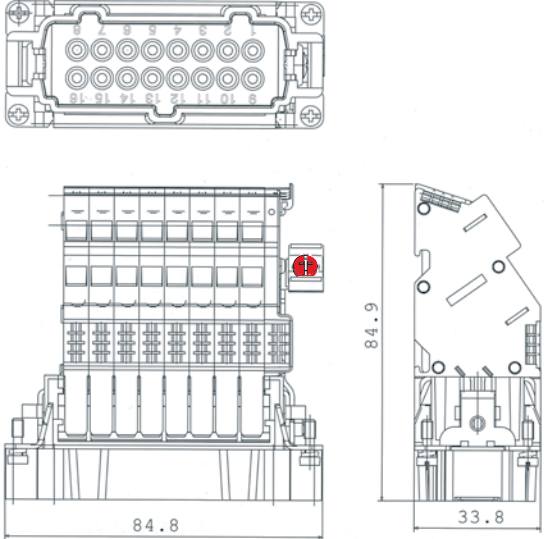
CE **RoHS**



Male inserts:
 Contact for wire section
 0.2-2.5 mm² (24-14AWG)
 Silver plated contacts

Inserti maschio :
 Contatti per fili di sezione
 0.2-2.5 mm² (24-14AWG)
 Contatti argentati

Right ground terminal
Terminale di terra destro


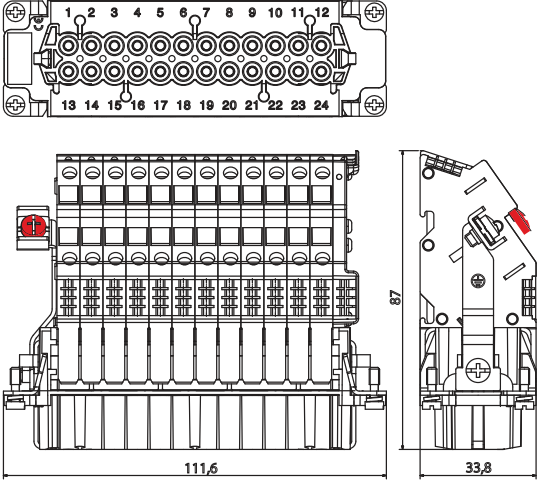

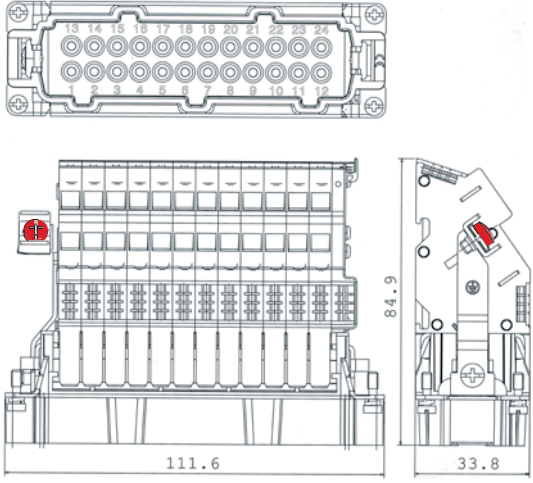



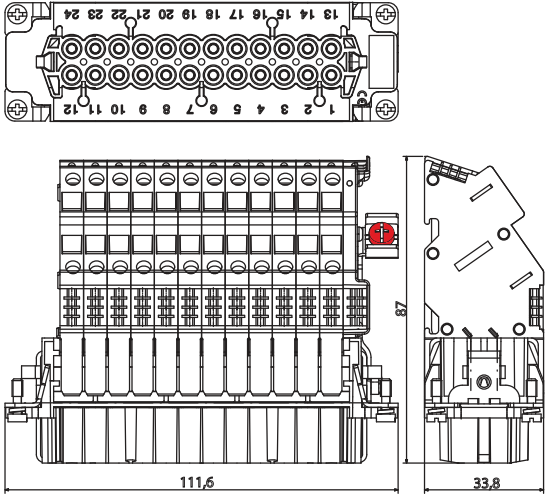

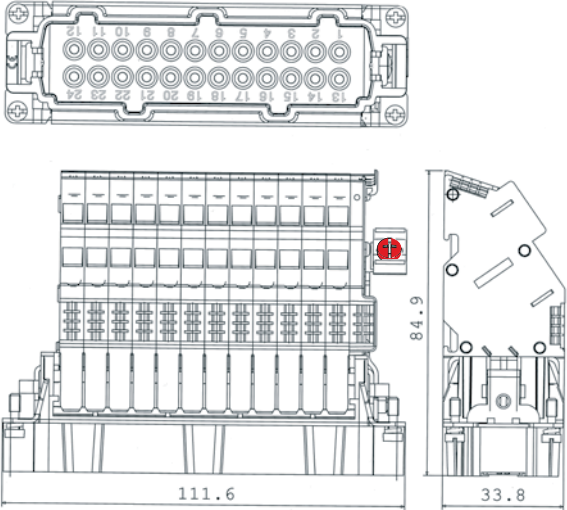
7416.6116 .0

Hood/housing size 16B «77x27»
Custodie grandezza 16B «77x27»

Dimensions in mm. Part No. bold letters refer to standard availability.
Normal letters refer to items on special request.
Dimensioni in mm. I codici in grassetto indicano i prodotti di normale disponibilità. Il carattere normale indica i prodotti speciali su richiesta.

Accessories, cable glands and tools see sections 50, 55 e 60
Accessori, pressacavi ed attrezzi vedere sezioni 50, 55 e 60

Female and male inserts with screw terminal block <i>Inserti maschio e femmina con terminali a vite e morsetti</i>		UL/CSA : 600V	Part No. Codice
<p>CE RoHS</p>  <p>Female inserts:</p> <p>Contact for wire section 0.2-2.5 mm² (24-14AWG) Silver plated contacts</p> <p>Inserti femmina :</p> <p>Contatti per fili di sezione 0.2-2.5 mm² (24-14AWG) Contatti argentati</p>	<p>Left ground terminal <i>Terminale di terra sinistro</i></p> 	<p>7424.6017.0</p>	
<p>CE RoHS</p>  <p>Male inserts:</p> <p>Contact for wire section 0.2-2.5 mm² (24-14AWG) Silver plated contacts</p> <p>Inserti maschio :</p> <p>Contatti per fili di sezione 0.2-2.5 mm² (24-14AWG) Contatti argentati</p>	<p>Left ground terminal <i>Terminale di terra sinistro</i></p> 	<p>7424.6117.0</p>	
<p>Hood/housing size 24B «104x27» <i>Custodie grandezza 24B «104x27»</i></p>	<p>Dimensions in mm. Part No. bold letters refer to standard availability. Normal letters refer to items on special request. <i>Dimensioni in mm. I codici in grassetto indicano i prodotti di normale disponibilità. Il carattere normale indica i prodotti speciali su richiesta.</i></p>	<p>Accessories, cable glands and tools see sections 50, 55 e 60 <i>Accessori, pressacavi ed attrezzi vedere sezioni 50, 55 e 60</i></p>	

Female and male inserts with screw terminal block <i>Inserti maschio e femmina con terminali a vite e morsetti</i>		UL/CSA : 600V	Part No. Codice
<p>CE (RoHS)</p>  <p>Female inserts: Contact for wire section 0.2-2.5 mm² (24-14AWG) Silver plated contacts</p> <p>Inserti femmina : Contatti per fili di sezione 0.2-2.5 mm² (24-14AWG) Contatti argentati</p>	<p>Right ground terminal <i>Terminale di terra destro</i></p> 	<p>7424.6018.0</p>	
<p>CE (RoHS)</p>  <p>Male inserts: Contact for wire section 0.2-2.5 mm² (24-14AWG) Silver plated contacts</p> <p>Inserti maschio : Contatti per fili di sezione 0.2-2.5 mm² (24-14AWG) Contatti argentati</p>	<p>Right ground terminal <i>Terminale di terra destro</i></p> 	<p>7424.6118.0</p>	
<p>Hood/housing size 24B «104x27» <i>Custodie grandezza 24B «104x27»</i></p>	<p>Dimensions in mm. Part No. bold letters refer to standard availability. Normal letters refer to items on special request. <i>Dimensioni in mm. I codici in grassetto indicano i prodotti di normale disponibilità. Il carattere normale indica i prodotti speciali su richiesta.</i></p>	<p>Accessories, cable glands and tools see sections 50, 55 e 60 <i>Accessori, pressacavi ed attrezzi vedere sezioni 50, 55 e 60</i></p>	

Difference between connectors for standard applications up to 500V and connectors for high voltage up to 830V
Differenze tra connettori per applicazioni standard fino a 500V e connettori per alte tensioni fino a 830V

Metal enclosures STD, HE series:
 Hood/housing for applications up to 500V and 1000V (depend on the insert type), for connectors inserts S-D, S-DD, S-E, S-EC, S-EE, S-EEE, S-ES, S-EP, S-ESHV, S-EAV, S-HSB, S-K, S-M series.

Custodie metalliche serie STD e HE:
 per applicazioni fino a 500V e fino a 1000V (dipende dal tipo dell'inserto) per inserti serie S-D, S-DD, S-E, S-EC, S-EE, S-EEE, S-ES, S-EP, S-ESAV, S-EAV, S-HSB, S-K, S-M.

Coding bar
 Barra di codifica



Metal enclosures STD-HV and HE-HV series:

Special hood/housing for connector inserts S-EHV and S-HSB series for applications up to 830V. The inserts S-EHV crimp type can be also assembled with standard enclosures.

Custodie metalliche serie STD-HV e HE-HV:







Speciali custodie per inserti serie S-EHV e S-HSB per applicazioni fino a 830V. Gli inserti S-EHV con contatti a crimpare possono essere assemblati anche con custodie standard.


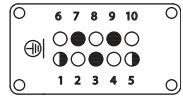
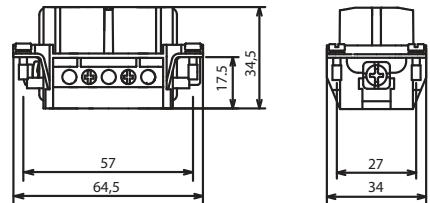
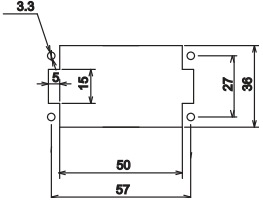

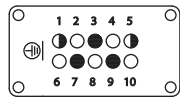
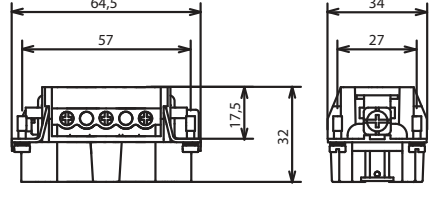
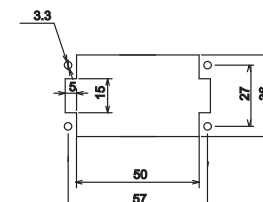
Milled coding bar
 Barra di codifica fresata


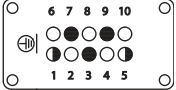
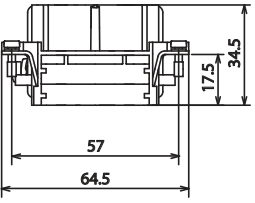
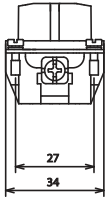
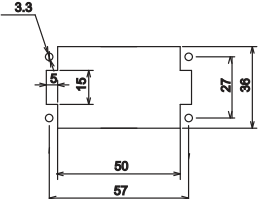

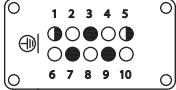
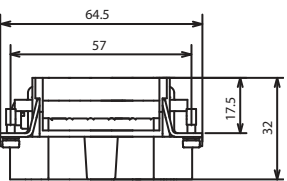
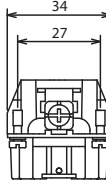
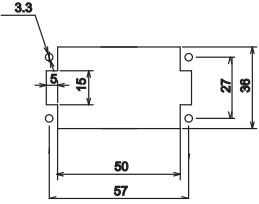
Supplementary insulation strips
 Strisce isolanti supplementari


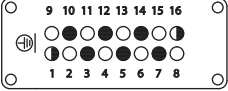
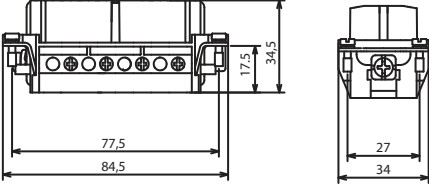
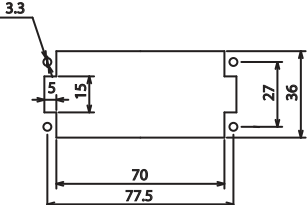

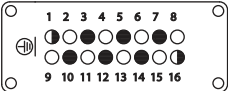
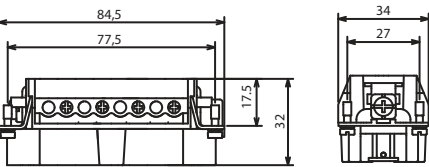
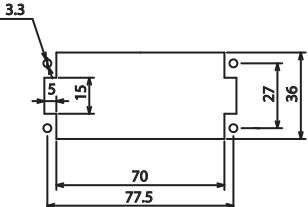
Stopper
 Fermo



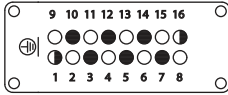
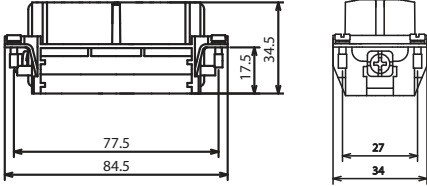
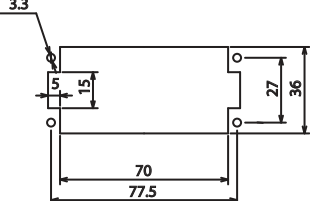


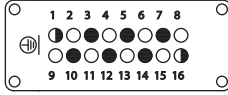
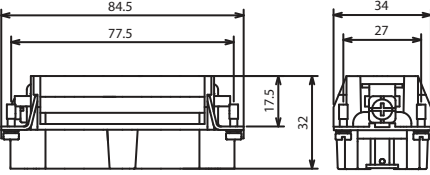
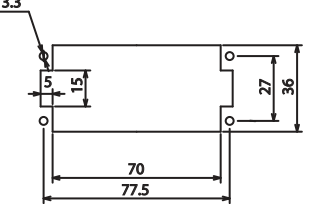



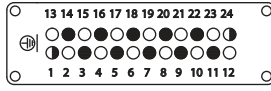
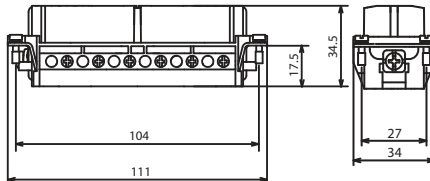
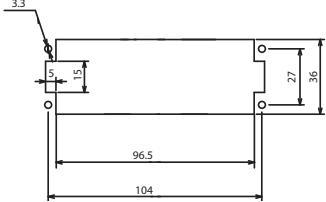

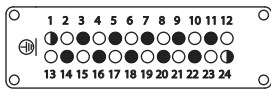
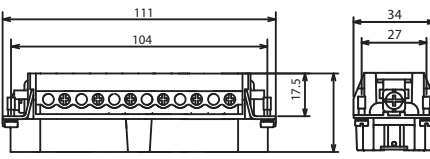
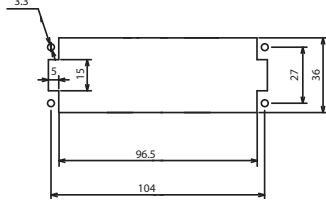
Technical characteristics	Caratteristiche tecniche
<p>Specifications: EN 61984, EN 60664-1 UL 1977 CSA C22.2 No. 182.3</p> <p>Approvals:  (UL, CSA)</p> <p>Number of contacts 3,6,10,12(2x6), 20(2x10) +  + 2 or 4 additional contacts for safe high voltage connections</p> <p>Electrical data acc. to EN 61984</p> <p>Working current _____ 16A 830V 8kV 3 Working voltage _____ Rated impulse voltage _____ Pollution degree _____</p> <p>Pollution degree 2 also 16A 1000 V 8kV 2 Relay contacts 16A 500 V 6kV 3</p> <p>Number of contacts 16,32 (2x16) + </p> <p>Working current _____ 16A 830V 6kV 3 Working voltage _____ Rated impulse voltage _____ Pollution degree _____</p> <p>Current carrying capacity: Please refer to "Electrical engineering data" page 00.33</p> <p>Working voltage acc. to UL/CSA 600V Relay contacts 250V Insulation resistance $\geq 10^{10} \Omega$ Material Polycarbonate Limiting temperatures - 40 °C ... + 125 °C Flammability acc. to UL 94 V0 - GWT 960° Mechanical working life ≥ 500 cycles</p> <p>Contacts: Material Copper alloy Surface Silver plated Gold plated</p> <p>Contact resistance $\leq 1 \text{ m} \Omega$ Crimp terminal, turned see page 04.15 - mm² 0.14 - 4.0 - AWG 26 - 12</p> <p>Screw terminal - mm² 0.5+4,0 - AWG 20 + 12 - Tightening torque 0.5 Nm - Stripping length 7.0 mm</p> <p>For solid or stranded wires</p> <p>Recommended enclosures: Section 21, 22,23,25,26,30</p> <p>Type: STD-HV, HE-HV, HP-HE</p> <p>Material Die cast aluminium Surface Powder coated Locking element With metal lever or screws Hoods/Housings seal NBR Limiting temperatures -40 °C ... + 125 °C Degree of protection acc. to EN 60529 for coupled connectors IP66 or IP68 (HP-HE) Thread: Metric - EN 50262 Pg - DIN 40430</p> <p>According to EN61984 connectors should not be coupled and decoupled under electrical load.</p>	<p>Norme di riferimento: EN 61984, EN 60664-1 UL 1977 CSA C22.2 No. 182.3</p> <p>Approvazioni:  (UL, CSA)</p> <p>Numero dei contatti 3,6,10,12(2x6), 20(2x10) +  + 2/4 contatti ausiliari per sicurezza delle connessioni ad alto voltaggio</p> <p>Caratteristiche elettriche secondo EN 61984</p> <p>Corrente nominale _____ 16A 830V 8kV 3 Tensione nominale _____ Tensione ad impulso _____ Grado di inquinamento _____</p> <p>Con grado di inquinamento 2 16A 1000 V 8kV 2 Contatti ausiliari 16A 500 V 6kV 3</p> <p>Numero dei contatti 16,32 (2x16) + </p> <p>Corrente nominale _____ 16A 830V 6kV 3 Tensione nominale _____ Tensione ad impulso _____ Grado di inquinamento _____</p> <p>Portata di corrente: Vedere pag. 00.33 "Caratteristiche elettriche"</p> <p>Tensione nominale secondo UL/CSA 600V Contatti ausiliari 250V Resistenza di isolamento $\geq 10^{10} \Omega$ Materiale Polycarbonato Limiti di temperature - 40 °C ... + 125 °C Autoestinguenza UL 94 V0 - GWT 960° Vita meccanica ≥ 500 cicli</p> <p>Contatti: Materiale Lega di rame Finitura: Argentati dorati</p> <p>Resistenza di contatto $\leq 1 \text{ m} \Omega$ Terminali a crimpare, torniti ved. pag. 04.15 - mm² 0.14+4.0 - AWG 26 - 12</p> <p>Terminali a vite - mm² 0,5+4,0 - AWG 20 + 12 - Coppia di serraggio 0.5 Nm - Lunghezza spellatura 7,0 mm</p> <p>Per fili rigidi o flessibili</p> <p>Custodie suggerite: Sezioni 21,22,23,25,26,30</p> <p>Tipo: STD-HV, HE-HV, HP-HE</p> <p>Materiale Fusione di alluminio Superficie Verniciatura a polvere Dispositivo di chiusura Con leva metallica o viti Guarnizione NBR Limiti di temperature -40 °C ... + 125 °C Grado di protezione secondo EN 60529 connettori accoppiati IP66 o IP68 (HP-HE) Filettature: Metrica - EN 50262 Pg - DIN 40430</p> <p>Secondo la norma EN61984 i connettori non devono essere connessi e sconnessi sotto carico</p>


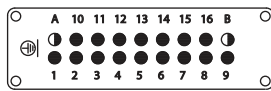
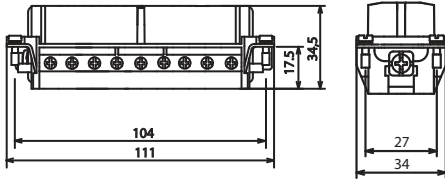
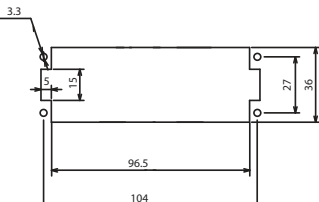

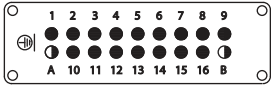
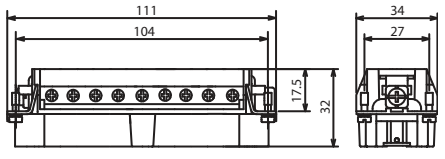
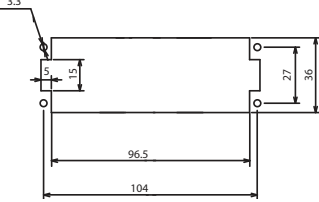
Screw terminal inserts <i>Inserti con terminali a vite</i>	Additional contacts for safe high voltage connections <i>Contatti ausiliari per la sicurezza delle connessioni</i>	Type <i>Tipo</i>	Part No. <i>Codice</i>
<p>Female inserts <i>Inserti femmina</i> 3p + ⊕ + 2 p</p>  <p>UL CS CE RoHS</p> <p>Silver plated contacts with cross/slot screws <i>Contatti argentati con viti con impronta combi taglio/croce</i></p>	<p>Contact arrangement View from termination side <i>Disposizione contatti</i> <i>Vista lato terminazioni</i></p> <ul style="list-style-type: none"> ● Operating contact <i>Contatto operativo</i> ◐ Relay contact <i>Contatto ausiliario</i> ○ Without contact <i>Senza contatto</i>    <p>Panel cut out for inserts For use without hood/housing <i>Foratura di alloggiamento inserti</i> <i>Per uso senza custodie</i></p>	<p>Screw terminals with wire protection Section: 0,5-2,5 mm² (20-14 AWG)</p> <p><i>Terminali a vite con proteggi-filo</i> Per sezioni: 0,5-2,5 mm² (20-14 AWG)</p> <hr/> <p>Screw terminal without wire protection Section: 0,5-4 mm² (20-12 AWG)</p> <p><i>Terminali a vite senza proteggi-filo</i> Per sezioni: 0,5-4 mm² (20-12 AWG)</p>	<p>7503.6031.0</p> <hr/> <p>7503.6031.1</p>
<p>Male inserts <i>Inserti maschio</i> 3p + ⊕ + 2 p</p>  <p>UL CS CE RoHS</p> <p>Silver plated contacts with cross/slot screws <i>Contatti argentati con viti con impronta combi taglio/croce</i></p>	<p>Contact arrangement View from termination side <i>Disposizione contatti</i> <i>Vista lato terminazioni</i></p> <ul style="list-style-type: none"> ● Operating contact <i>Contatto operativo</i> ◐ Relay contact <i>Contatto ausiliario</i> ○ Without contact <i>Senza contatto</i>    <p>Panel cut out for inserts For use without hood/housing <i>Foratura di alloggiamento inserti</i> <i>Per uso senza custodie</i></p>	<p>Screw terminals with wire protection Section: 0,5-2,5 mm² (20-14 AWG)</p> <p><i>Terminali a vite con proteggi-filo</i> Per sezioni: 0,5-2,5 mm² (20-14 AWG)</p> <hr/> <p>Screw terminal without wire protection Section: 0,5-4 mm² (20-12 AWG)</p> <p><i>Terminali a vite senza proteggi-filo</i> Per sezioni: 0,5-4 mm² (20-12 AWG)</p>	<p>7503.6131.0</p> <hr/> <p>7503.6131.1</p>
<p>Hood/housing size 10B «57x27» <i>Custodie grandezza 10B «57x27»</i></p>	<p>Dimensions in mm Part No. bold letters refer to standard availability. Normal letters refer to items on special request. <i>Dimensioni in mm I codici in grassetto indicano i prodotti di normale disponibilità. Il carattere normale indica i prodotti speciali su richiesta.</i></p>	<p>Accessories, cable glands and tools see sections 50, 55 e 60 <i>Accessori, pressacavi ed attrezzi vedere sezioni 50, 55 e 60</i></p>	


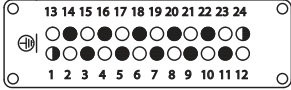
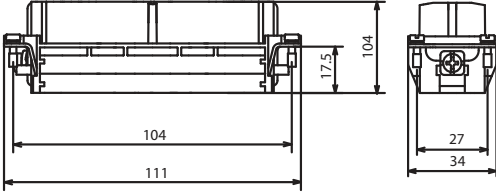
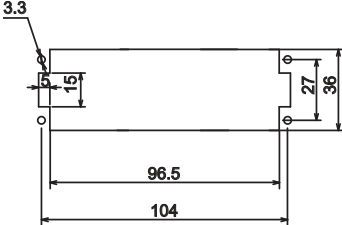

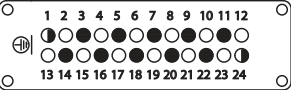
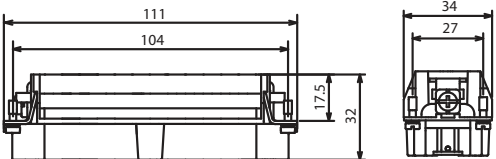
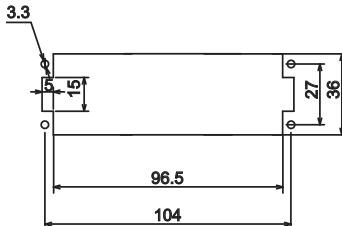
Inserts for crimp contacts <i>Inserti per contatti a crimpare</i>	Additional contacts for safe high voltage connections <i>Contatti ausiliari per la sicurezza delle connessioni</i>	Part No. Codice
<p>Contact carriers for female contacts <i>Inserti porta contatti per contatti femmina</i> 3p + ⊕ + 2 p</p>  <p>UL US CS US CE (RoHS)</p> <p>Female contacts 16A, 5 pcs Please order contacts separately, page 04.15 <i>Contatti femmina 16A, 5 pz</i> <i>Contatti da ordinare separatamente, pag 04.15</i></p>	<p>Contact arrangement View from termination side Disposizione contatti <i>Vista lato terminazioni</i></p>     <p>Panel cut out for inserts For use without hood/housing Foratura di alloggiamento inserti <i>Per uso senza custodie</i></p> <p>● Operating contact <i>Contatto operativo</i> ● Relay contact <i>Contatto ausiliario</i> ○ Without contact <i>Senza contatto</i></p>	<p>7503.6071.0</p>
<p>Contact carriers for male contacts <i>Inserti porta contatti per contatti maschio</i> 3p + ⊕ + 2 p</p>  <p>UL US CS US CE (RoHS)</p> <p>Male contacts 16A, 3 pcs S type + 2 pcs R type Please order contacts separately, page 04.15 <i>Contatti maschio 16A, 3 pz tipo S + 2 tipo R</i> <i>Contatti da ordinare separatamente, pag 04.15</i></p>	<p>Contact arrangement View from termination side Disposizione contatti <i>Vista lato terminazioni</i></p>     <p>Panel cut out for inserts For use without hood/housing Foratura di alloggiamento inserti <i>Per uso senza custodie</i></p> <p>● Operating contact <i>Contatto operativo</i> ● Relay contact <i>Contatto ausiliario</i> ○ Without contact <i>Senza contatto</i></p>	<p>7503.6171.0</p>
<p>Hood/housing size 10B «57x27» <i>Custodie grandezza 10B «57x27»</i></p>	<p>Crimp inserts can be also used with standard enclosures STD series <i>Gli inserti a crimpare possono essere usati con custodie standard serie STD</i></p>	<p>Accessories, cable glands and tools see sections 50, 55 e 60 <i>Accessori, pressacavi ed attrezzi vedere sezioni 50, 55 e 60</i></p>



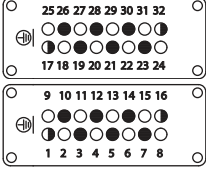
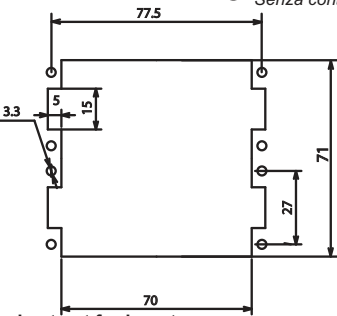


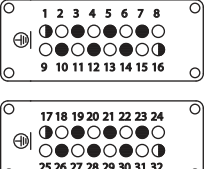
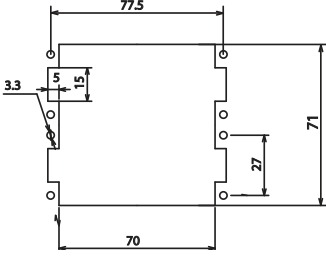
Screw terminal inserts <i>Inserti con terminali a vite</i>	Additional contacts for safe high voltage connections <i>Contatti ausiliari per la sicurezza delle connessioni</i>	Type <i>Tipo</i>	Part No. <i>Codice</i>
<p>Female inserts <i>Inserti femmina</i> 6p + ⊕ + 2 p</p>  <p>UL SP CE RoHS</p> <p>Silver plated contacts with cross/slot screws <i>Contatti argentati con viti con impronta combi taglio/croce</i></p>	<p>Contact arrangement View from termination side <i>Disposizione contatti</i> Vista lato terminazioni</p> <ul style="list-style-type: none"> ● Operating contact <i>Contatto operativo</i> ◐ Relay contact <i>Contatto ausiliario</i> ○ Without contact <i>Senza contatto</i>    <p>Panel cut out for inserts For use without hood/housing <i>Foratura di alloggiamento inserti</i> Per uso senza custodie</p>	<p>Screw terminals with wire protection Section: 0,5-2,5 mm² (20-14 AWG)</p> <p><i>Terminali a vite con proteggi-filo</i> Per sezioni: 0,5-2,5 mm² (20-14 AWG)</p>	<p>7506.6032.0</p>
<p>Male inserts <i>Inserti maschio</i> 6p + ⊕ + 2 p</p>  <p>UL SP CE RoHS</p> <p>Silver plated contacts with cross/slot screws <i>Contatti argentati con viti con impronta combi taglio/croce</i></p>	<p>Contact arrangement View from termination side <i>Disposizione contatti</i> Vista lato terminazioni</p> <ul style="list-style-type: none"> ● Operating contact <i>Contatto operativo</i> ◐ Relay contact <i>Contatto ausiliario</i> ○ Without contact <i>Senza contatto</i>    <p>Panel cut out for inserts For use without hood/housing <i>Foratura di alloggiamento inserti</i> Per uso senza custodie</p>	<p>Screw terminals with wire protection Section: 0,5-2,5 mm² (20-14 AWG)</p> <p><i>Terminali a vite con proteggi-filo</i> Per sezioni: 0,5-2,5 mm² (20-14 AWG)</p>	<p>7506.6132.0</p>
<p>Hood/housing size 16B «77x27» <i>Custodie grandezza 16B «77x27»</i></p>	<p>Dimensions in mm Part No. bold letters refer to standard availability. Normal letters refer to items on special request. <i>Dimensioni in mm I codici in grassetto indicano i prodotti di normale disponibilità. Il carattere normale indica i prodotti speciali su richiesta.</i></p>	<p>Accessories, cable glands and tools see sections 50, 55 e 60 <i>Accessori, pressacavi ed attrezzi vedere sezioni 50, 55 e 60</i></p>	



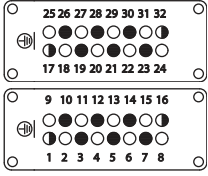
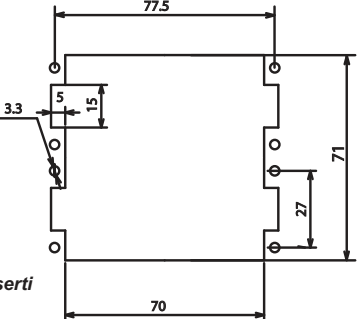


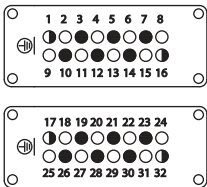
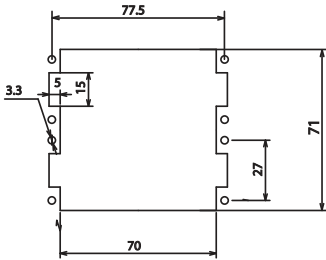
Inserts for crimp contacts <i>Inserti per contatti a crimpare</i>	Additional contacts for safe high voltage connections <i>Contatti ausiliari per la sicurezza delle connessioni</i>	Part No. Codice
<p>Contact carriers for female contacts <i>Inserti porta contatti per contatti femmina</i> 6p + ⊕ + 2 p</p>  <p>Female contacts 16A, 8 pcs Please order contacts separately, page 04.15 <i>Contatti femmina 16A, 8 pz</i> <i>Contatti da ordinare separatamente, pag 04.15</i></p> 	<p>Contact arrangement View from termination side Disposizione contatti <i>Vista lato terminazioni</i></p>    <p>Panel cut out for inserts For use without hood/housing <i>Foratura di alloggiamento inserti</i> <i>Per uso senza custodie</i></p>	<p>7506.6072.0</p>
<p>Contact carriers for male contacts <i>Inserti porta contatti per contatti maschio</i> 6p + ⊕ + 2 p</p>  <p>Male contacts 16A, 6 pcs S type + 2 pcs R type Please order contacts separately, page 04.15 <i>Contatti maschio 16A, 6 pz tipo S + 2 tipo R</i> <i>Contatti da ordinare separatamente, pag 04.15</i></p> 	<p>Contact arrangement View from termination side Disposizione contatti <i>Vista lato terminazioni</i></p>    <p>Panel cut out for inserts For use without hood/housing <i>Foratura di alloggiamento inserti</i> <i>Per uso senza custodie</i></p>	<p>7506.6172.0</p>
<p>Hood/housing size 16B «77x27» <i>Custodie grandezza 16B «77x27»</i></p>	<p>Crimp inserts can be also used with standard enclosures STD series <i>Gli inserti a crimpare possono essere usati con custodie standard serie STD</i></p>	<p>Accessories, cable glands and tools see sections 50, 55 e 60 <i>Accessori, pressacavi ed attrezzi vedere sezioni 50, 55 e 60</i></p>


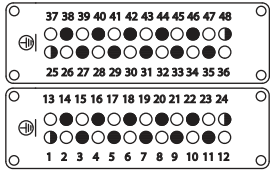
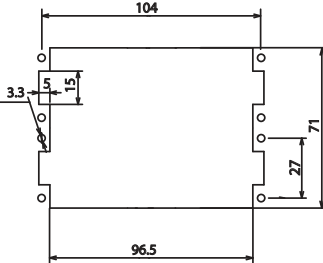

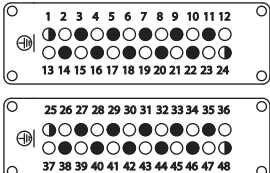
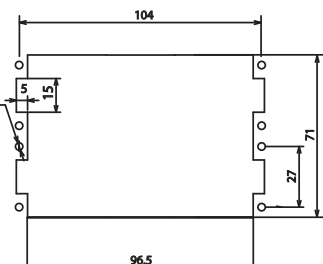
Screw terminal inserts <i>Inserti con terminali a vite</i>	Additional contacts for safe high voltage connections <i>Contatti ausiliari per la sicurezza delle connessioni</i>	Type <i>Tipo</i>	Part No. <i>Codice</i>
<p>Female inserts <i>Inserti femmina</i> 10p + ⊕ + 2 p</p>  <p>UL SP CE RoHS</p> <p>Silver plated contacts with cross/slot screws <i>Contatti argentati con viti con impronta combi taglio/croce</i></p>	<p>Contact arrangement View from termination side <i>Disposizione contatti</i> Vista lato terminazioni</p> <p>● Operating contact <i>Contatto operativo</i> ◐ Relay contact <i>Contatto ausiliario</i> ○ Without contact <i>Senza contatto</i></p>    <p>Panel cut out for inserts For use without hood/housing <i>Foratura di alloggiamento inserti</i> Per uso senza custodie</p>	<p>Screw terminals with wire protection Section: 0.5-2,5 mm² (20-14 AWG)</p> <p><i>Terminali a vite con proteggi-filo</i> Per sezioni: 0,5-2,5 mm² (20-14 AWG)</p> <hr/> <p>Screw terminal without wire protection Section: 0.5-4 mm² (20-12 AWG)</p> <p><i>Terminali a vite senza proteggi-filo</i> Per sezioni: 0,5-4 mm² (20-12 AWG)</p>	<p>7510.6033.0</p> <hr/> <p>7510.6033.1</p>
<p>Male inserts <i>Inserti maschio</i> 10p + ⊕ + 2 p</p>  <p>UL SP CE RoHS</p> <p>Silver plated contacts with cross/slot screws <i>Contatti argentati con viti con impronta combi taglio/croce</i></p>	<p>Contact arrangement View from termination side <i>Disposizione contatti</i> Vista lato terminazioni</p> <p>● Operating contact <i>Contatto operativo</i> ◐ Relay contact <i>Contatto ausiliario</i> ○ Without contact <i>Senza contatto</i></p>    <p>Panel cut out for inserts For use without hood/housing <i>Foratura di alloggiamento inserti</i> Per uso senza custodie</p>	<p>Screw terminals with wire protection Section: 0.5-2,5 mm² (20-14 AWG)</p> <p><i>Terminali a vite con proteggi-filo</i> Per sezioni: 0,5-2,5 mm² (20-14 AWG)</p> <hr/> <p>Screw terminal without wire protection Section: 0.5-4 mm² (20-12 AWG)</p> <p><i>Terminali a vite senza proteggi-filo</i> Per sezioni: 0,5-4 mm² (20-12 AWG)</p>	<p>7510.6133.0</p> <hr/> <p>7510.6133.1</p>
<p>Hood/housing size 24B «104x27» <i>Custodie grandezza 24B «104x27»</i></p>	<p>Dimensions in mm Part No. bold letters refer to standard availability. Normal letters refer to items on special request. <i>Dimensioni in mm I codici in grassetto indicano i prodotti di normale disponibilità. Il carattere normale indica i prodotti speciali su richiesta.</i></p>	<p>Accessories, cable glands and tools see sections 50, 55 e 60 <i>Accessori, pressacavi ed attrezzi vedere sezioni 50, 55 e 60</i></p>	



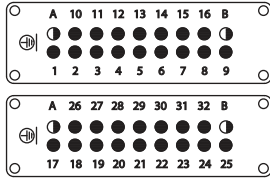
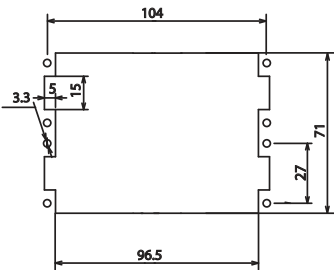


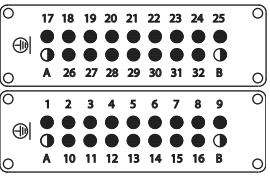
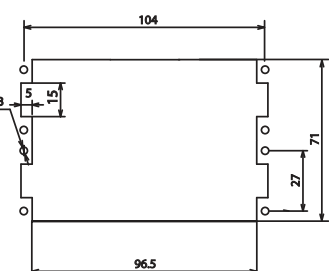
Screw terminal inserts <i>Inserti con terminali a vite</i>	Additional contacts for safe high voltage connections <i>Contatti ausiliari per la sicurezza delle connessioni</i>	Type <i>Tipo</i>	Part No. <i>Codice</i>
<p>Female inserts <i>Inserti femmina</i> 16p + ⊕ + 2 p</p>  <p>UL SP CE RoHS</p> <p>Silver plated contacts with cross/slot screws <i>Contatti argentati con viti con impronta combi taglio/croce</i></p>	<p>Contact arrangement View from termination side <i>Disposizione contatti</i> Vista lato terminazioni</p> <ul style="list-style-type: none"> ● Operating contact <i>Contatto operativo</i> ◐ Relay contact <i>Contatto ausiliario</i> ○ Without contact <i>Senza contatto</i>    <p>Panel cut out for inserts For use without hood/housing <i>Foratura di alloggiamento inserti</i> Per uso senza custodie</p>	<p>Screw terminals with wire protection Section: 0.5-2,5 mm² (20-14 AWG)</p> <p><i>Terminali a vite con proteggi-filo</i> Per sezioni: 0,5-2,5 mm² (20-14 AWG)</p> <hr/> <p>Screw terminal without wire protection Section: 0.5-4 mm² (20-12 AWG)</p> <p><i>Terminali a vite senza proteggi-filo</i> Per sezioni: 0,5-4 mm² (20-12 AWG)</p>	<p>7516.6034.0</p> <hr/> <p>7516.6034.1</p>
<p>Male inserts <i>Inserti maschio</i> 16p + ⊕ + 2 p</p>  <p>UL SP CE RoHS</p> <p>Silver plated contacts with cross/slot screws <i>Contatti argentati con viti con impronta combi taglio/croce</i></p>	<p>Contact arrangement View from termination side <i>Disposizione contatti</i> Vista lato terminazioni</p> <ul style="list-style-type: none"> ● Operating contact <i>Contatto operativo</i> ◐ Relay contact <i>Contatto ausiliario</i> ○ Without contact <i>Senza contatto</i>    <p>Panel cut out for inserts For use without hood/housing <i>Foratura di alloggiamento inserti</i> Per uso senza custodie</p>	<p>Screw terminals with wire protection Section: 0.5-2,5 mm² (20-14 AWG)</p> <p><i>Terminali a vite con proteggi-filo</i> Per sezioni: 0,5-2,5 mm² (20-14 AWG)</p> <hr/> <p>Screw terminal without wire protection Section: 0.5-4 mm² (20-12 AWG)</p> <p><i>Terminali a vite senza proteggi-filo</i> Per sezioni: 0,5-4 mm² (20-12 AWG)</p>	<p>7516.6134.0</p> <hr/> <p>7516.6134.1</p>
<p>Hood/housing size 24B «104x27» <i>Custodie grandezza 24B «104x27»</i></p>	<p>Dimensions in mm Part No. bold letters refer to standard availability. Normal letters refer to items on special request. <i>Dimensioni in mm I codici in grassetto indicano i prodotti di normale disponibilità. Il carattere normale indica i prodotti speciali su richiesta.</i></p>	<p>Accessories, cable glands and tools see sections 50, 55 e 60 <i>Accessori, pressacavi ed attrezzi vedere sezioni 50, 55 e 60</i></p>	



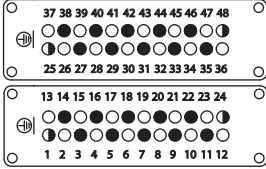
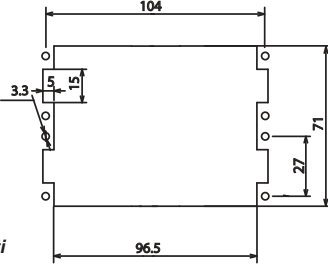


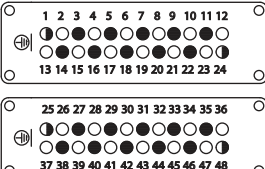
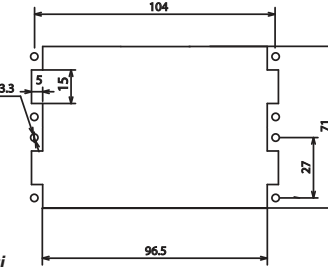
Inserts for crimp contacts <i>Inserti per contatti a crimpare</i>	Additional contacts for safe high voltage connections <i>Contatti ausiliari per la sicurezza delle connessioni</i>	Part No. Codice
<p>Contact carriers for female contacts <i>Inserti porta contatti per contatti femmina</i> 10p + ⊕ + 2 p</p>  <p>UL SP CE RoHS</p> <p>Female contacts 16A, 12 pcs Please order contacts separately, page 04.15 <i>Contatti femmina 16A, 12 pz</i> <i>Contatti da ordinare separatamente, pag.04.15</i></p>	<p>Contact arrangement View from termination side Disposizione contatti <i>Vista lato terminazioni</i></p> <ul style="list-style-type: none"> ● Operating contact <i>Contatto operativo</i> ◐ Relay contact <i>Contatto ausiliario</i> ○ Without contact <i>Senza contatto</i>    <p>Panel cut out for inserts For use without hood/housing <i>Foratura di alloggiamento inserti</i> <i>Per uso senza custodia</i></p>	<p>7510.6073.0</p>
<p>Contact carriers for male contacts <i>Inserti porta contatti per contatti maschio</i> 10p + ⊕ + 2 p</p>  <p>UL SP CE RoHS</p> <p>Male contacts 16A, 10 pcs S type + 2 pcs R type Please order contacts separately, page 04.15 <i>Contatti maschio 16A, 10 pz tipo S + 2 tipo R</i> <i>Contatti da ordinare separatamente, pag.04.15</i></p>	<p>Contact arrangement View from termination side Disposizione contatti <i>Vista lato terminazioni</i></p> <ul style="list-style-type: none"> ● Operating contact <i>Contatto operativo</i> ◐ Relay contact <i>Contatto ausiliario</i> ○ Without contact <i>Senza contatto</i>    <p>Panel cut out for inserts For use without hood/housing <i>Foratura di alloggiamento inserti</i> <i>Per uso senza custodia</i></p>	<p>7510.6173.0</p>
<p>Hood/housing size 24B «104x27» <i>Custodie grandezza 24B «104x27»</i></p>	<p>Crimp inserts can be also used with standard enclosures STD series <i>Gli inserti a crimpare possono essere usati con custodie standard serie STD</i></p>	<p>Accessories, cable glands and tools see sections 50, 55 e 60 <i>Accessori, pressacavi ed attrezzi vedere sezioni 50, 55 e 60</i></p>


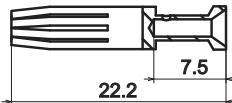

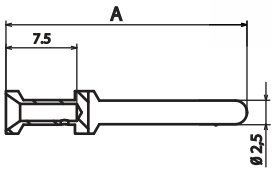
Screw terminal inserts <i>Inserti con terminali a vite</i>	Additional contacts for safe high voltage connections <i>Contatti ausiliari per la sicurezza delle connessioni</i>	Numbering <i>Numerazione</i>	Type <i>Tipo</i>	Part No. <i>Codice</i>
<p>Female inserts <i>Inserti femmina</i> 12(6x2)p + ⊕ + 4 p</p>   <p>Silver plated contacts with cross/slot screws <i>Contatti argentati con viti con impronta combi taglio/croce</i></p>	<p>Inserts dimensions see page 04.05 <i>Dimensioni degli inserti vedere pag. 04.05</i></p>  <p>Contact arrangement View from termination side <i>Disposizione contatti</i> Vista lato terminazioni</p> <ul style="list-style-type: none"> ● Operating contact <i>Contatto operativo</i> ◐ Relay contact <i>Contatto ausiliario</i> ○ Without contact <i>Senza contatto</i>  <p>Panel cut out for inserts For use without hood/housing <i>Foratura di alloggiamento inserti</i> Per uso senza custodie</p>	<p>1-16</p> <p>17-32</p> <p>1-16</p> <p>17-32</p>	<p>Screw terminals with wire protection Section: 0.5-2,5 mm² (20-14 AWG)</p> <p><i>Terminali a vite con proteggi-filo</i> Per sezioni: 0,5-2,5 mm² (20-14 AWG)</p> <p>Screw terminal without wire protection Section: 0.5-4 mm² (20-12 AWG)</p> <p><i>Terminali a vite senza proteggi-filo</i> Per sezioni: 0,5-4 mm² (20-12 AWG)</p>	<p>7506.6032.0</p> <p>7506.6052.0</p> <p>Remark: 2 inserts are required per hood/housing <i>Attenzione: sono necessari 2 inserti ogni custodia</i></p> <p>7506.6032.1</p> <p>7506.6052.1</p>
<p>Male inserts <i>Inserti maschio</i> 12(6x2)p + ⊕ + 4 p</p>   <p>Silver plated contacts with cross/slot screws <i>Contatti argentati con viti con impronta combi taglio/croce</i></p>	<p>Inserts dimensions see page 04.05 <i>Dimensioni degli inserti vedere pag. 04.05</i></p>  <p>Contact arrangement View from termination side <i>Disposizione contatti</i> Vista lato terminazioni</p> <ul style="list-style-type: none"> ● Operating contact <i>Contatto operativo</i> ◐ Relay contact <i>Contatto ausiliario</i> ○ Without contact <i>Senza contatto</i>  <p>Panel cut out for inserts For use without hood/housing <i>Foratura di alloggiamento inserti</i> Per uso senza custodie</p>	<p>1-16</p> <p>17-32</p> <p>1-16</p> <p>17-32</p>	<p>Screw terminals with wire protection Section: 0.5-2,5 mm² (20-14 AWG)</p> <p><i>Terminali a vite con proteggi-filo</i> Per sezioni: 0,5-2,5 mm² (20-14 AWG)</p> <p>Screw terminal without wire protection Section: 0.5-4 mm² (20-12 AWG)</p> <p><i>Terminali a vite senza proteggi-filo</i> Per sezioni: 0,5-4 mm² (20-12 AWG)</p>	<p>7506.6132.0</p> <p>7506.6152.0</p> <p>Remark: 2 inserts are required per hood/housing <i>Attenzione: sono necessari 2 inserti ogni custodia</i></p> <p>7506.6132.1</p> <p>7506.6152.1</p>
<p>Hood/housing size 32B «77x62» <i>Custodie grandezza 32B «77x62»</i></p> <p>Dimensions in mm Part No. bold letters refer to standard availability. <i>Normal letters refer to items on special request.</i> Dimensioni in mm I codici in grassetto indicano i prodotti di normale disponibilità. Il carattere normale indica i prodotti speciali su richiesta.</p>		<p>Accessories, cable glands and tools see sections 50, 55 e 60 <i>Accessori, pressacavi ed attrezzi vedere sezioni 50, 55 e 60</i></p>		







Inserts for crimp contacts <i>Inserti per contatti a crimpare</i>	Additional contacts for safe high voltage connections <i>Contatti ausiliari per la sicurezza delle connessioni</i>	Part No. Codice
<p> Contact carriers for female contacts <i>Inserti porta contatti per contatti femmina</i> 12p + ⊕ + 4 p </p>  <p>  Female contacts 16A, 16 pcs Please order contacts separately, page 04.15 <i>Contatti femmina 16A, 16 pz</i> <i>Contatti da ordinare separatamente, pag.04.15</i> </p>	<p> Inserts dimensions see page 04.06 <i>Dimensioni degli inserti vedere pag. 04.06</i> </p>  <p> Contact arrangement View from termination side <i>Disposizione contatti</i> <i>Vista lato terminazioni</i> </p> <ul style="list-style-type: none"> ● Operating contact <i>Contatto operativo</i> ◐ Relay contact <i>Contatto ausiliario</i> ○ Without contact <i>Senza contatto</i>  <p> Panel cut out for inserts For use without hood/housing <i>Foratura di alloggiamento inserti</i> <i>Per uso senza custodia</i> </p>	<p> 7506.6072.0 (numbering 1-16) <i>(numerazione 1-16)</i> </p> <p> 7506.6082.0 (numbering 17-32) <i>(numerazione 17-32)</i> </p> <p> Remark: 2 inserts are required per hood/housing Attenzione: sono necessari 2 inserti ogni custodia </p>
<p> Contact carriers for male contacts <i>Inserti porta contatti per contatti maschio</i> 12p + ⊕ + 4 p </p>  <p>  Male contacts 16A, 12 pcs S type + 4 pcs R type Please order contacts separately, page 04.15 <i>Contatti maschio 16A, 12 pz tipo S + 4 tipo R</i> <i>Contatti da ordinare separatamente, pag. 04.15</i> </p>	<p> Inserts dimensions see page 04.06 <i>Dimensioni degli inserti vedere pag. 04.06</i> </p>  <p> Contact arrangement View from termination side <i>Disposizione contatti</i> <i>Vista lato terminazioni</i> </p> <ul style="list-style-type: none"> ● Operating contact <i>Contatto operativo</i> ◐ Relay contact <i>Contatto ausiliario</i> ○ Without contact <i>Senza contatto</i>  <p> Panel cut out for inserts For use without hood/housing <i>Foratura di alloggiamento inserti</i> <i>Per uso senza custodia</i> </p>	<p> 7506.6172.0 (numbering 1-16) <i>(numerazione 1-16)</i> </p> <p> 7506.6182.0 (numbering 17-32) <i>(numerazione 17-32)</i> </p>
<p> Hood/housing size 32B «77x62» <i>Custodie grandezza 32B «77x62»</i> </p>	<p> Crimp inserts can be also used with standard enclosures STD series <i>Gli inserti a crimpare possono essere usati con custodie standard serie STD</i> </p>	<p> Accessories, cable glands and tools see sections 50, 55 e 60 <i>Accessori, pressacavi ed attrezzi vedere sezioni 50, 55 e 60</i> </p>


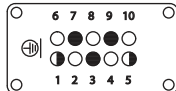
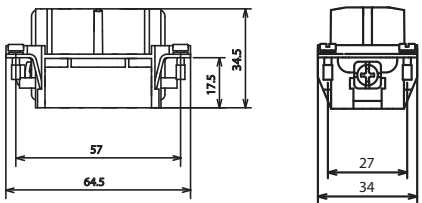
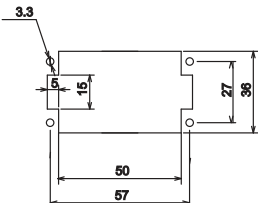

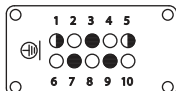
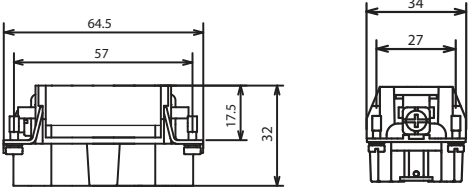
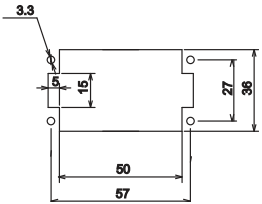
Screw terminal inserts <i>Inserti con terminali a vite</i>	Additional contacts for safe high voltage connections <i>Contatti ausiliari per la sicurezza delle connessioni</i>	Numbering <i>Numerazione</i>	Type <i>Tipo</i>	Part No. <i>Codice</i>
<p>Female inserts <i>Inserti femmina</i> 20(10x2)p + ⊕ + 4 p</p>  <p>UL CS CE (RoHS)</p> <p>Silver plated contacts with cross/slot screws <i>Contatti argentati con viti con impronta combi taglio/croce</i></p>	<p>Inserts dimensions see page 04.07 <i>Dimensioni degli inserti vedere pag. 04.07</i></p>  <p>Contact arrangement ● Operating contact <i>Contatto operativo</i> View from termination side ● Relay contact <i>Contatto ausiliario</i> Disposizione contatti ○ Without contact <i>Vista lato terminazioni Senza contatto</i></p>  <p>Panel cut out for inserts For use without hood/housing <i>Foratura di alloggiamento inserti</i> Per uso senza custodia</p>	<p>1-24</p> <p>25-48</p>	<p>Screw terminals with wire protection Section: 0.5-2,5 mm² (20-14 AWG)</p> <p><i>Terminali a vite con proteggi-filo</i> Per sezioni: 0,5-2,5 mm² (20-14 AWG)</p> <p>Screw terminal without wire protection Section: 0.5-4 mm² (20-12 AWG)</p> <p><i>Terminali a vite senza proteggi-filo</i> Per sezioni: 0,5-4 mm² (20-12 AWG)</p>	<p>7510.6033.0</p> <p>7510.6053.0</p> <p>Remark: 2 inserts are required per hood/housing Attenzione: sono necessari 2 inserti ogni custodia</p> <p>7510.6033.1</p> <p>7510.6053.1</p>
<p>Male inserts <i>Inserti maschio</i> 20(10x2)p + ⊕ + 4 p</p>  <p>UL CS CE (RoHS)</p> <p>Silver plated contacts with cross/slot screws <i>Contatti argentati con viti con impronta combi taglio/croce</i></p>	<p>Inserts dimensions see page 04.07 <i>Dimensioni degli inserti vedere pag. 04.07</i></p>  <p>Contact arrangement ● Operating contact <i>Contatto operativo</i> View from termination side ● Relay contact <i>Contatto ausiliario</i> Disposizione contatti ○ Without contact <i>Vista lato terminazioni Senza contatto</i></p>  <p>Panel cut out for inserts For use without hood/housing <i>Foratura di alloggiamento inserti</i> Per uso senza custodia</p>	<p>1-24</p> <p>25-48</p>	<p>Screw terminals with wire protection Section: 0.5-2,5 mm² (20-14 AWG)</p> <p><i>Terminali a vite con proteggi-filo</i> Per sezioni: 0,5-2,5 mm² (20-14 AWG)</p> <p>Screw terminal without wire protection Section: 0.5-4 mm² (20-12 AWG)</p> <p><i>Terminali a vite senza proteggi-filo</i> Per sezioni: 0,5-4 mm² (20-12 AWG)</p>	<p>7510.6133.0</p> <p>7510.6153.0</p> <p>Remark: 2 inserts are required per hood/housing Attenzione: sono necessari 2 inserti ogni custodia</p> <p>7510.6133.1</p> <p>7510.6153.1</p>
<p>Hood/housing size 48B «104x62» <i>Custodie grandezza 48B «104x62»</i></p>	<p>Dimensions in mm Part No. bold letters refer to standard availability. Normal letters refer to items on special request. <i>Dimensioni in mm I codici in grassetto indicano i prodotti di normale disponibilità. Il carattere normale indica i prodotti speciali su richiesta.</i></p>		<p>Accessories, cable glands and tools see sections 50, 55 e 60 <i>Accessori, pressacavi ed attrezzi vedere sezioni 50, 55 e 60</i></p>	


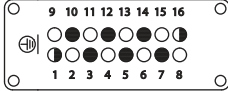
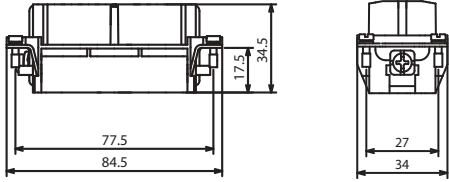
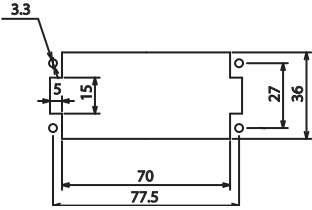

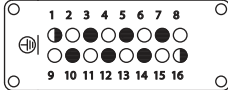
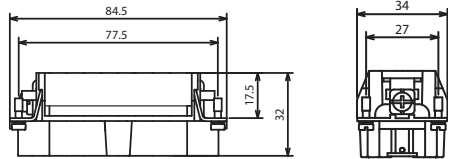
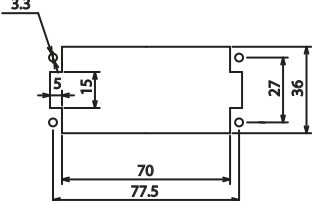
Screw terminal inserts <i>Inserti con terminali a vite</i>	Additional contacts for safe high voltage connections <i>Contatti ausiliari per la sicurezza delle connessioni</i>	Numbering <i>Numerazione</i>	Type <i>Tipo</i>	Part No. <i>Codice</i>
<p>Female inserts <i>Inserti femmina</i> 32(16x2)p + ⊕ + 4 p</p>   <p>Silver plated contacts with cross/slot screws <i>Contatti argentati con viti con impronta combi taglio/croce</i></p>	<p>Inserts dimensions see page 04.08 <i>Dimensioni degli inserti vedere pag. 04.08</i></p>  <p>Contact arrangement View from termination side <i>Disposizione contatti</i> <i>Vista lato terminazioni</i></p> <ul style="list-style-type: none"> ● Operating contact <i>Contatto operativo</i> ○ Relay contact <i>Contatto ausiliario</i> ○ Without contact <i>Senza contatto</i>  <p>Panel cut out for inserts For use without hood/housing <i>Foratura di alloggiamento inserti</i> <i>Per uso senza custodia</i></p>	<p>1-16</p> <p>17-32</p>	<p>Screw terminals with wire protection Section: 0.5-2,5 mm² (20-14 AWG)</p> <p><i>Terminali a vite con proteggi-filo</i> Per sezioni: 0,5-2,5 mm² (20-14 AWG)</p> <p>Screw terminal without wire protection Section: 0.5-4 mm² (20-12 AWG)</p> <p><i>Terminali a vite senza proteggi-filo</i> Per sezioni: 0,5-4 mm² (20-12 AWG)</p>	<p>7516.6034.0</p> <p>7516.6035.0</p> <p>Remark: 2 inserts are required per hood/housing <i>Attenzione: sono necessari 2 inserti ogni custodia</i></p> <p>7516.6034.1</p> <p>7516.6035.1</p>
<p>Male inserts <i>Inserti maschio</i> 32(16x2)p + ⊕ + 4 p</p>   <p>Silver plated contacts with cross/slot screws <i>Contatti argentati con viti con impronta combi taglio/croce</i></p>	<p>Inserts dimensions see page 04.08 <i>Dimensioni degli inserti vedere pag. 04.08</i></p>  <p>Contact arrangement View from termination side <i>Disposizione contatti</i> <i>Vista lato terminazioni</i></p> <ul style="list-style-type: none"> ● Operating contact <i>Contatto operativo</i> ○ Relay contact <i>Contatto ausiliario</i> ○ Without contact <i>Senza contatto</i>  <p>Panel cut out for inserts For use without hood/housing <i>Foratura di alloggiamento inserti</i> <i>Per uso senza custodia</i></p>	<p>1-16</p> <p>17-32</p>	<p>Screw terminals with wire protection Section: 0.5-2,5 mm² (20-14 AWG)</p> <p><i>Terminali a vite con proteggi-filo</i> Per sezioni: 0,5-2,5 mm² (20-14 AWG)</p> <p>Screw terminal without wire protection Section: 0.5-4 mm² (20-12 AWG)</p> <p><i>Terminali a vite senza proteggi-filo</i> Per sezioni: 0,5-4 mm² (20-12 AWG)</p>	<p>7516.6134.0</p> <p>7516.6135.0</p> <p>Remark: 2 inserts are required per hood/housing <i>Attenzione: sono necessari 2 inserti ogni custodia</i></p> <p>7516.6134.1</p> <p>7516.6135.1</p>
<p>Hood/housing size 48B «104x62» <i>Custodie grandezza 48B «104x62»</i></p>	<p>Dimensions in mm Part No. bold letters refer to standard availability. Normal letters refer to items on special request. <i>Dimensioni in mm I codici in grassetto indicano i prodotti di normale disponibilità. Il carattere normale indica i prodotti speciali su richiesta.</i></p>		<p>Accessories, cable glands and tools see sections 50, 55 e 60 <i>Accessori, pressacavi ed attrezzi vedere sezioni 50, 55 e 60</i></p>	


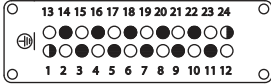
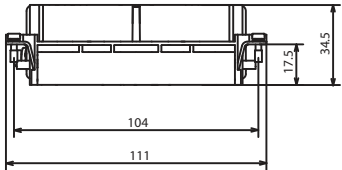
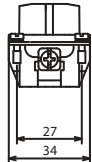
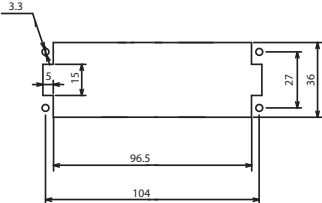

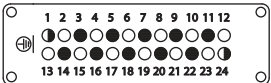
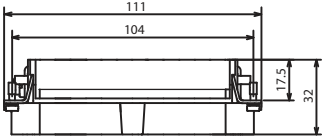
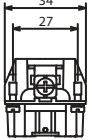
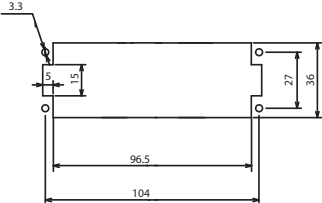
Inserts for crimp contacts <i>Inserti per contatti a crimpare</i>	Additional contacts for safe high voltage connections <i>Contatti ausiliari per la sicurezza delle connessioni</i>	Part No. Codice
<p> Contact carriers for female contacts Inserti porta contatti per contatti femmina 20 (10x2) p + ⊕ + 4 p </p>  <p>  </p> <p> Female contacts 16A, 24 pcs Please order contacts separately, page 04.15 Contatti femmina 16A, 24 pz Contatti da ordinare separatamente, pag. 04.15 </p>	<p> Insert dimensions see page 04,09 Dimensioni degli inserti vedi pag. 04,09 </p>  <p> Contact arrangement View from termination side Disposizione contatti Vista lato terminazioni </p> <ul style="list-style-type: none"> ● Operating contact Contatto operativo ◐ Relay contact Contatto ausiliario ○ Without contact Senza contatto  <p> Panel cut out for inserts For use without hood/housing Foratura di alloggiamento inserti Per uso senza custodie </p>	<p> 7510.6073.0 (numbering 1-24) (numerazione 1-24) </p> <p> 7510.6083.0 (numbering 25-48) (numerazione 25-48) </p> <p> Remark: 2 inserts are required per hood/housing Attenzione: sono necessari 2 inserti ogni custodia </p>
<p> Contact carriers for male contacts Inserti porta contatti per contatti maschio 20 (10x2) p + ⊕ + 4 p </p>  <p>  </p> <p> Male contacts 16A, 20 pcs S type + 4 pcs R type Please order contacts separately, page 04.15 Contatti maschio 16A, 20 pz tipo S + 4 tipo R Contatti da ordinare separatamente, pag. 04.15 </p>	<p> Insert dimensions see page 04,09 Dimensioni degli inserti vedi pag. 04,09 </p>  <p> Contact arrangement View from termination side Disposizione contatti Vista lato terminazioni </p> <ul style="list-style-type: none"> ● Operating contact Contatto operativo ◐ Relay contact Contatto ausiliario ○ Without contact Senza contatto  <p> Panel cut out for inserts For use without hood/housing Foratura di alloggiamento inserti Per uso senza custodie </p>	<p> 7510.6173.0 (numbering 1-24) (numerazione 1-24) </p> <p> 7510.6183.0 (numbering 25-48) (numerazione 25-48) </p>
<p> Hood/housing size 48B «104x62» Custodie grandezza 48B «104x62» </p>	<p> Crimp inserts can be also used with standard enclosures STD series Gli inserti a crimpare possono essere usati con custodie standard serie STD </p>	<p> Accessories, cable glands and tools see sections 50, 55 e 60 Accessori, pressacavi ed attrezzi vedere sezioni 50, 55 e 60 </p>


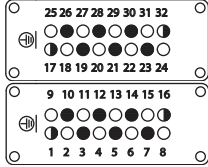
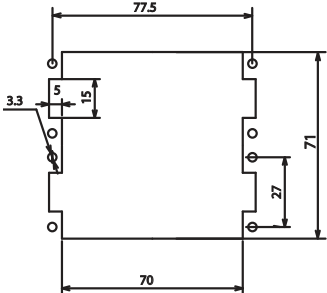

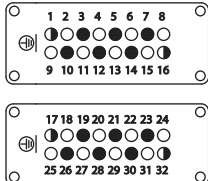
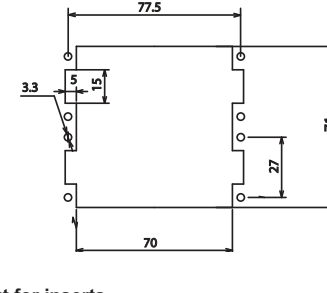
Female crimp contacts, turned Contatti femmina a crimpare torniti		No. of grooves Num. gole	Wire mm ² Filo mm ²	Wire gauge Calibro filo	Part No.- Codice								
					Silver plated Argentati	Gold plated Dorati							
  <p> - Material: Copper alloy Materiale: Lega di rame - Surface: Silver or gold plated Finitura: Argentati o dorati - Stripping length: 7,5 mm Lunghezza di spellatura: 7,5 mm - Identification: By grooves Identificazione: Tramite gole </p>		0	0.14 - 0.37	26-22 AWG	7300.6240.0	7300.6240.1							
		0	0.5	20 AWG	7300.6241.0	7300.6241.1							
		1	0.75	18 AWG	7300.6239.0	7300.6239.1							
		1	1.0	18 AWG	7300.6242.0	7300.6242.1							
		2	1.5	16 AWG	7300.6243.0	7300.6243.1							
		3	2.5	14 AWG	7300.6244.0	7300.6244.1							
		1 Wide	3.0	12 AWG	7300.6238.0	7300.6238.1							
		0	4.0	12 AWG	7300.6245.0	7300.6245.1							
				For the best performance and the lowest contact resistance, Molex recommends the use of manual tools, die sets and machines illustrated in the section 60 of this catalogue Per le migliori caratteristiche e la minima resistenza di contatto, si raccomanda l'utilizzo delle pinze manuali, gli applicatori e le macchine illustrate nella sezione 60 di questo catalogo									
		Male crimp contacts, turned Contatti maschio a crimpare torniti		Type Tipo	No. of grooves Num. gole	Wire mm ² Filo mm ²	Wire gauge Calibro filo	Part No.- Codice					
  <table border="1" data-bbox="470 1444 678 1590"> <thead> <tr> <th>Type Tipo</th> <th>A</th> </tr> </thead> <tbody> <tr> <td>S</td> <td>25</td> </tr> <tr> <td>R</td> <td>22,8</td> </tr> </tbody> </table> <p> - Material: Copper alloy Materiale: Lega di rame - Surface: Silver or gold plated Finitura: Argentati o dorati - Stripping length: 7,5 mm Lunghezza di spellatura: 7,5 mm - Identification: By grooves Identificazione: Tramite gole - Type: S Standard Tipo: R Relay contact for advanced opening For insert S-EHV only R Contatti per apertura circuito anticipata Solo per inserti serie S-EHV </p>		Type Tipo	A	S	25	R	22,8	S	0	0.14 - 0.37	26-22 AWG	7300.6237.0	7300.6237.1
		Type Tipo	A										
		S	25										
		R	22,8										
		S	0	0.5	20 AWG	7300.6246.0	7300.6246.1						
		S	1	0.75	18 AWG	7300.6236.0	7300.6236.1						
		S	1	1.0	18 AWG	7300.6247.0	7300.6247.1						
		S	2	1.5	16 AWG	7300.6248.0	7300.6248.1						
		S	3	2.5	14 AWG	7300.6249.0	7300.6249.1						
		S	1 Wide	3.0	12 AWG	7300.6235.0	7300.6235.1						
		S	0	4.0	12 AWG	7300.6250.0	7300.6250.1						
		R	0	0.5	20 AWG	7300.6255.0							
		R	1	0.75 -1.0	18 AWG	7300.6256.0							
		R	2	1.5	16 AWG	7300.6257.0							
		R	3	2.5	14 AWG	7300.6258.0							
		For the best performance and the lowest contact resistance, Molex recommends the use of manual tools, die sets and machines illustrated in the section 60 of this catalogue Per le migliori caratteristiche e la minima resistenza di contatto, si raccomanda l'utilizzo delle pinze manuali, gli applicatori e le macchine illustrate nella sezione 60 di questo catalogo											
For inserts - Per inserti: S-A, S-E, S-EE, S-EEE, S-EHV, S-Q, S-QD, S-M		Dimensions in mm Part No. bold letters refer to standard availability. Normal letters refer to items on special request. Dimensioni in mm I codici in grassetto indicano i prodotti di normale disponibilità. Il carattere normale indica i prodotti speciali su richiesta.			Crimping tools: see section 60 Attrezzi per crimpare: vedere sezione 60								


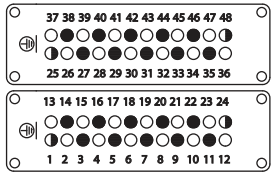
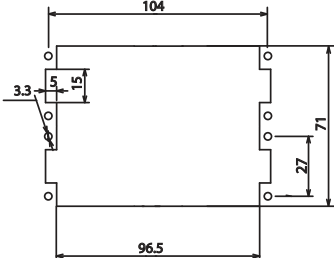

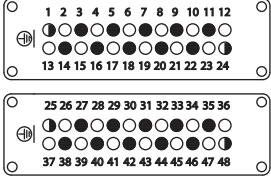
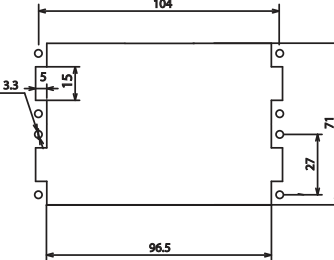
Technical characteristics	Caratteristiche tecniche																												
<p>Specifications: EN 61984, EN 60664-1 UL 1977 CSA C22.2 No. 182.3</p> <p>Approvals:  UL, CSA)</p> <p>Number of contacts 3,6,10,12(2x6), 20(2x10) + </p> <p>+ 2 or 4 additional contacts for safe high voltage connections</p> <p>Electrical data acc. to EN 61984</p> <table border="0" data-bbox="135 649 774 840"> <tr> <td></td> <td style="text-align: right;">16A 830V 8kV 3</td> </tr> <tr> <td>Working current</td> <td>_____</td> </tr> <tr> <td>Working voltage</td> <td>_____</td> </tr> <tr> <td>Rated impulse voltage</td> <td>_____</td> </tr> <tr> <td>Pollution degree</td> <td>_____</td> </tr> <tr> <td>Pollution degree 2 also</td> <td style="text-align: right;">16A 1000 V 8kV 2</td> </tr> <tr> <td>Relay contacts</td> <td style="text-align: right;">16A 500 V 6kV 3</td> </tr> </table> <p>Current carrying capacity: Please refer to "Electrical engineering data" page 00.34</p> <p>Working voltage acc. to UL/CSA 600V Relay contacts 250V Insulation resistance $\geq 10^{10} \Omega$ Material Polycarbonate Limiting temperatures - 40 °C ... + 125 °C Flammability acc. to UL 94 V0 - GWT 960° Mechanical working life ≥ 500 cycles</p> <p>Contacts: Material Copper alloy Surface Silver plated Gold plated</p> <p>Contact resistance $\leq 3 \text{ m} \Omega$ Spring terminal - mm² 0.14 - 2.5 - AWG 26 - 14 - Stripping length 9 - 11 mm</p> <p>For solid or stranded wires</p> <p>Recommended enclosures: See section 21, 22,23, 25,26,27,30</p> <p>Type: STD, HE, EMC, HP-HE</p> <p>Material Die cast aluminium Surface Powder coated Locking element With metal lever or screws Hoods/Housings seal NBR Limiting temperatures -40 °C ... + 125 °C Degree of protection acc. to EN 60529 for coupled connectors IP66 or IP68 (HP-HE)</p> <p>Thread: Metric - EN 50262 Pg - DIN 40430</p> <p>Wire extractor tool: 0,4x2.5 screwdriver Part. No. 8500.7979.0</p>		16A 830V 8kV 3	Working current	_____	Working voltage	_____	Rated impulse voltage	_____	Pollution degree	_____	Pollution degree 2 also	16A 1000 V 8kV 2	Relay contacts	16A 500 V 6kV 3	<p>Norme di riferimento: EN 61984, EN 60664-1 UL 1977 CSA C22.2 No. 182.3</p> <p>Approvazioni:  (UL, CSA)</p> <p>Numero dei contatti 3,6,10,12(2x6), 20(2x10) + </p> <p>+ 2/4 contatti ausiliari per sicurezza delle connessioni ad alto voltaggio</p> <p>Caratteristiche elettriche secondo EN 61984</p> <table border="0" data-bbox="837 649 1476 840"> <tr> <td></td> <td style="text-align: right;">16A 830V 8kV 3</td> </tr> <tr> <td>Corrente nominale</td> <td>_____</td> </tr> <tr> <td>Tensione nominale</td> <td>_____</td> </tr> <tr> <td>Tensione ad impulso</td> <td>_____</td> </tr> <tr> <td>Grado di inquinamento</td> <td>_____</td> </tr> <tr> <td>Con grado di inquinamento 2</td> <td style="text-align: right;">16A 1000 V 8kV 2</td> </tr> <tr> <td>Contatti ausiliari</td> <td style="text-align: right;">16A 500 V 6kV 3</td> </tr> </table> <p>Portata di corrente: Vedere pag. 00.34 "Caratteristiche elettriche"</p> <p>Tensione nominale secondo UL/CSA 600V Contatti ausiliari 250V Resistenza di isolamento $\geq 10^{10} \Omega$ Materiale Polycarbonate Limiti di temperature - 40 °C ... + 125 °C Autoestinguenza UL 94 V0 - GWT 960° Vita meccanica ≥ 500 cicli</p> <p>Contatti: Materiale Lega di rame Finitura: Argentati Dorati</p> <p>Resistenza di contatto $\leq 3 \text{ m} \Omega$ Terminali a molla - mm² 0.14+2.5 - AWG 26 - 14 - Lunghezza spellatura 9 - 11 mm</p> <p>Per fili rigidi o flessibili</p> <p>Custodie suggerite: Vedere sezioni 21,22,23, 25,26,27,30</p> <p>Tipo: STD, HE, EMC, HP-HE</p> <p>Materiale Fusione di alluminio Superficie Verniciatura a polvere Dispositivo di chiusura Con leva metallica o viti Guarnizione NBR Limiti di temperature -40 °C ... + 125 °C Grado di protezione secondo EN 60529 connettori accoppiati IP66 o IP68 (HP-HE)</p> <p>Filettature: Metrica - EN 50262 Pg - DIN 40430</p> <p>Utensile estrattore del conduttore: cacciavite 0,4x2.5 Cod. 8500.7979.0</p>		16A 830V 8kV 3	Corrente nominale	_____	Tensione nominale	_____	Tensione ad impulso	_____	Grado di inquinamento	_____	Con grado di inquinamento 2	16A 1000 V 8kV 2	Contatti ausiliari	16A 500 V 6kV 3
	16A 830V 8kV 3																												
Working current	_____																												
Working voltage	_____																												
Rated impulse voltage	_____																												
Pollution degree	_____																												
Pollution degree 2 also	16A 1000 V 8kV 2																												
Relay contacts	16A 500 V 6kV 3																												
	16A 830V 8kV 3																												
Corrente nominale	_____																												
Tensione nominale	_____																												
Tensione ad impulso	_____																												
Grado di inquinamento	_____																												
Con grado di inquinamento 2	16A 1000 V 8kV 2																												
Contatti ausiliari	16A 500 V 6kV 3																												
<p></p> <p>According to EN61984 connectors should not be coupled and decoupled under electrical load.</p>	<p></p> <p>Secondo la norma EN61984 i connettori non devono essere connessi e sconnessi sotto carico</p>																												



Spring terminal inserts <i>Inserti con terminali a molla</i>	Additional contacts for safe high voltage connections <i>Contatti ausiliari per la sicurezza delle connessioni</i>	Part No. <i>Codice</i>
<p>Female insert <i>Inserto femmina</i> 3p + ⊕ + 2 p</p>  <p>UL SP CE RoHS</p> <p>For solid or stranded wires <i>Per fili rigidi o flessibili</i></p>	<p>Contact arrangement View from termination side <i>Disposizione contatti</i> <i>Vista lato terminazioni</i></p> <ul style="list-style-type: none"> ● Operating contact <i>Contatto operativo</i> ◐ Relay contact <i>Contatto ausiliario</i> ○ Without contact <i>Senza contatto</i>    <p>Panel cut out for inserts For use without hood/housing <i>Foratura di alloggiamento inserti</i> <i>Per uso senza custodie</i></p>	<p>7503.5831.0</p>
<p>Male insert <i>Inserto maschio</i> 3p + ⊕ + 2 p</p>  <p>UL SP CE RoHS</p> <p>For solid or stranded wires <i>Per fili rigidi o flessibili</i></p>	<p>Contact arrangement View from termination side <i>Disposizione contatti</i> <i>Vista lato terminazioni</i></p> <ul style="list-style-type: none"> ● Operating contact <i>Contatto operativo</i> ◐ Relay contact <i>Contatto ausiliario</i> ○ Without contact <i>Senza contatto</i>    <p>Panel cut out for inserts For use without hood/housing <i>Foratura di alloggiamento inserti</i> <i>Per uso senza custodie</i></p>	<p>7503.5931.0</p>
<p>Hood/housing size 10B «57x27» <i>Custodie grandezza 10B «57x27»</i></p>	<p>Dimensions in mm Part No. bold letters refer to standard availability. Normal letters refer to items on special request. <i>Dimensioni in mm I codici in grassetto indicano i prodotti di normale disponibilità. Il carattere normale indica i prodotti speciali su richiesta.</i></p>	<p>Accessories, cable glands and tools see sections 50, 55 e 60 <i>Accessori, pressacavi ed attrezzi vedere sezioni 50, 55 e 60</i></p>



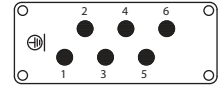
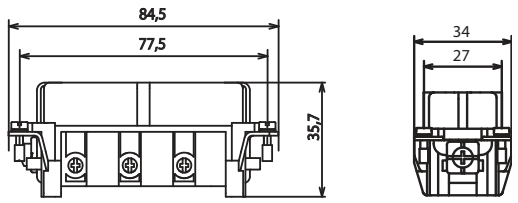
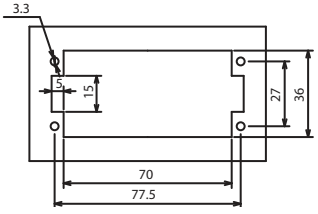


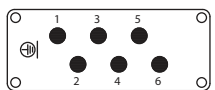
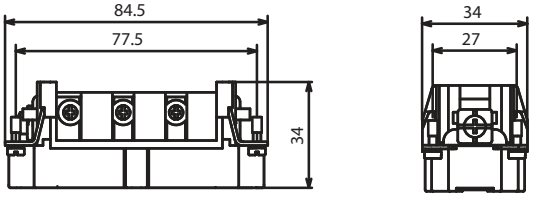
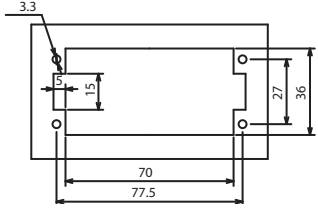
Spring terminal inserts <i>Inserti con terminali a molla</i>	Additional contacts for safe high voltage connections <i>Contatti ausiliari per la sicurezza delle connessioni</i>	Part No. <i>Codice</i>
<p>Female insert <i>Inserto femmina</i> 6p + ⊕ + 2 p</p>  <p>UL US CS US CE (RoHS)</p> <p>For solid or stranded wires <i>Per fili rigidi o flessibili</i></p>	<p>Contact arrangement View from termination side <i>Disposizione contatti</i> <i>Vista lato terminazioni</i></p> <ul style="list-style-type: none"> ● Operating contact <i>Contatto operativo</i> ◐ Relay contact <i>Contatto ausiliario</i> ○ Without contact <i>Senza contatto</i>    <p>Panel cut out for inserts For use without hood/housing <i>Foratura di alloggiamento inserti</i> <i>Per uso senza custodie</i></p>	<p>7506.5832.0</p>
<p>Male insert <i>Inserto maschio</i> 6p + ⊕ + 2 p</p>  <p>UL US CS US CE (RoHS)</p> <p>For solid or stranded wires <i>Per fili rigidi o flessibili</i></p>	<p>Contact arrangement View from termination side <i>Disposizione contatti</i> <i>Vista lato terminazioni</i></p> <ul style="list-style-type: none"> ● Operating contact <i>Contatto operativo</i> ◐ Relay contact <i>Contatto ausiliario</i> ○ Without contact <i>Senza contatto</i>    <p>Panel cut out for inserts For use without hood/housing <i>Foratura di alloggiamento inserti</i> <i>Per uso senza custodie</i></p>	<p>7506.5932.0</p>
<p>Hood/housing size 16B «77x27» <i>Custodie grandezza 16B «77x27»</i></p>	<p>Dimensions in mm Part No. bold letters refer to standard availability. Normal letters refer to items on special request. <i>Dimensioni in mm I codici in grassetto indicano i prodotti di normale disponibilità. Il carattere normale indica i prodotti speciali su richiesta.</i></p>	<p>Accessories, cable glands and tools see sections 50, 55 e 60 <i>Accessori, pressacavi ed attrezzi vedere sezioni 50, 55 e 60</i></p>



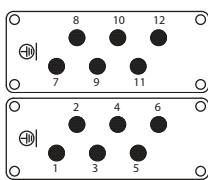
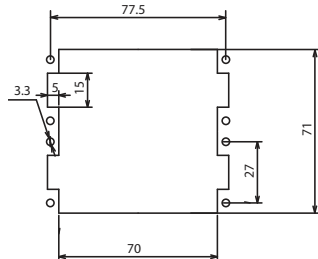


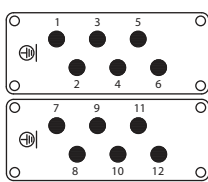
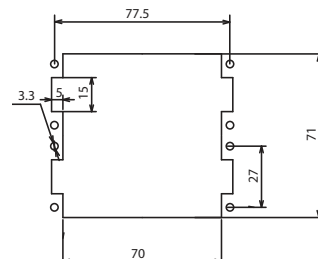
Spring terminal inserts <i>Inserti con terminali a molla</i>	Additional contacts for safe high voltage connections <i>Contatti ausiliari per la sicurezza delle connessioni</i>	Part No. <i>Codice</i>
<p>Female insert <i>Inserto femmina</i> 10p + \oplus + 2 p</p>  <p>UL SP CE RoHS</p> <p>For solid or stranded wires <i>Per fili rigidi o flessibili</i></p>	<p>Contact arrangement View from termination side <i>Disposizione contatti</i> <i>Vista lato terminazioni</i></p> <ul style="list-style-type: none"> ● Operating contact <i>Contatto operativo</i> ◐ Relay contact <i>Contatto ausiliario</i> ○ Without contact <i>Senza contatto</i>     <p>Panel cut out for inserts For use without hood/housing <i>Foratura di alloggiamento inserti</i> <i>Per uso senza custodie</i></p>	<p>7510.5833.0</p>
<p>Male insert <i>Inserto maschio</i> 10p + \oplus + 2 p</p>  <p>UL SP CE RoHS</p> <p>For solid or stranded wires <i>Per fili rigidi o flessibili</i></p>	<p>Contact arrangement View from termination side <i>Disposizione contatti</i> <i>Vista lato terminazioni</i></p> <ul style="list-style-type: none"> ● Operating contact <i>Contatto operativo</i> ◐ Relay contact <i>Contatto ausiliario</i> ○ Without contact <i>Senza contatto</i>     <p>Panel cut out for inserts For use without hood/housing <i>Foratura di alloggiamento inserti</i> <i>Per uso senza custodie</i></p>	<p>7510.5933.0</p>
<p>Hood/housing size 24B «104x27» <i>Custodie grandezza 24B «104x27»</i></p>	<p>Dimensions in mm Part No. bold letters refer to standard availability. Normal letters refer to items on special request. <i>Dimensioni in mm I codici in grassetto indicano i prodotti di normale disponibilità. Il carattere normale indica i prodotti speciali su richiesta.</i></p>	<p>Accessories, cable glands and tools see sections 50, 55 e 60 <i>Accessori, pressacavi ed attrezzi vedere sezioni 50, 55 e 60</i></p>




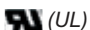


Spring terminal inserts <i>Inserti con terminali a molla</i>	Additional contacts for safe high voltage connections <i>Contatti ausillari per la sicurezza delle connessioni</i>	Numbering <i>Numerazione</i>	Part No. <i>Codice</i>
<p>Female inserts <i>Inserti femmina</i> 12(6x2)p + ⊕ + 4 p</p>  <p>UL CSA CE RoHS</p> <p>For solid or stranded wires <i>Per fili rigidi o flessibili</i></p>	<p>Inserts dimensions see page 04.18 <i>Dimensioni degli inserti vedere pag. 04.18</i></p>  <p>Contact arrangement View from termination side <i>Disposizione contatti</i> Vista lato terminazioni</p> <ul style="list-style-type: none"> ● Operating contact <i>Contatto operativo</i> ◐ Relay contact <i>Contatto ausillario</i> ○ Without contact <i>Senza contatto</i>  <p>Panel cut out for inserts For use without hood/housing <i>Foratura di alloggiamento inserti</i> Per uso senza custodie</p>	<p>1-16</p> <p>17-32</p>	<p>7506.5832.0</p> <p>7506.5834.0</p> <p>Remark: 2 inserts are required per hood/housing <i>Attenzione:</i> sono necessari 2 inserti ogni custodia</p>
<p>Male inserts <i>Inserti maschio</i> 12(6x2)p + ⊕ + 4 p</p>  <p>UL CSA CE RoHS</p> <p>For solid or stranded wires <i>Per fili rigidi o flessibili</i></p>	<p>Inserts dimensions see page 04.18 <i>Dimensioni degli inserti vedere pag. 04.18</i></p>  <p>Contact arrangement View from termination side <i>Disposizione contatti</i> Vista lato terminazioni</p> <ul style="list-style-type: none"> ● Operating contact <i>Contatto operativo</i> ◐ Relay contact <i>Contatto ausillario</i> ○ Without contact <i>Senza contatto</i>  <p>Panel cut out for inserts For use without hood/housing <i>Foratura di alloggiamento inserti</i> Per uso senza custodie</p>	<p>1-16</p> <p>17-32</p>	<p>7506.5932.0</p> <p>7506.5934.0</p> <p>Remark: 2 inserts are required per hood/housing <i>Attenzione:</i> sono necessari 2 inserti ogni custodia</p>
<p>Hood/housing size 32B «77x62» <i>Custodie grandezza 32B «77x62»</i></p>	<p>Dimensions in mm Part No. bold letters refer to standard availability. Normal letters refer to items on special request. <i>Dimensioni in mm I codici in grassetto indicano i prodotti di normale disponibilità. Il carattere normale indica i prodotti speciali su richiesta.</i></p>	<p>Accessories, cable glands and tools see sections 50, 55 e 60 <i>Accessori, pressacavi ed attrezzi vedere sezioni 50, 55 e 60</i></p>	


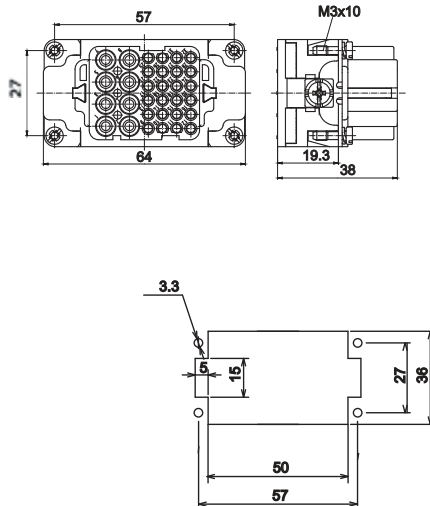

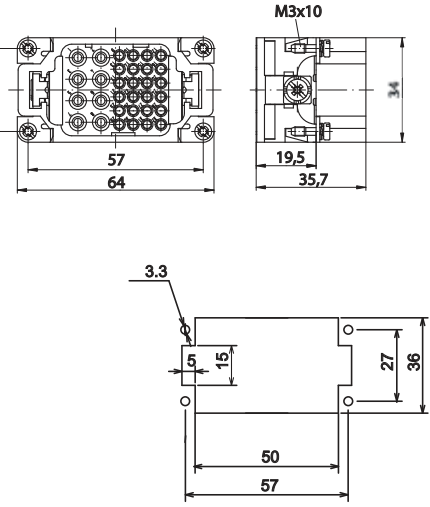
Spring terminal inserts <i>Inserti con terminali a molla</i>	Additional contacts for safe high voltage connections <i>Contatti ausiliari per la sicurezza delle connessioni</i>	Numbering <i>Numerazione</i>	Part No. <i>Codice</i>
<p>Female inserts <i>Inserti femmina</i> 20(10x2)p + ⊕ + 4 p</p>  <p>UL SP CE RoHS</p> <p>For solid or stranded wires <i>Per fili rigidi o flessibili</i></p>	<p>Inserts dimensions see page 04.19 <i>Dimensioni degli inserti vedere pag. 04.19</i></p>  <p>Contact arrangement View from termination side <i>Disposizione contatti</i> <i>Vista lato terminazioni</i></p> <ul style="list-style-type: none"> ● Operating contact <i>Contatto operativo</i> ◐ Relay contact <i>Contatto ausiliario</i> ○ Without contact <i>Senza contatto</i>  <p>Panel cut out for inserts For use without hood/housing <i>Foratura di alloggiamento inserti</i> <i>Per uso senza custodia</i></p>	<p>1-24</p> <p>25-48</p>	<p>7510.5833.0</p> <p>7510.5835.0</p> <p>Remark: 2 inserts are required per hood/housing <i>Attenzione: sono necessari 2 inserti ogni custodia</i></p>
<p>Male inserts <i>Inserti maschio</i> 20(10x2)p + ⊕ + 4 p</p>  <p>UL SP CE RoHS</p> <p>For solid or stranded wires <i>Per fili rigidi o flessibili</i></p>	<p>Inserts dimensions see page 04.19 <i>Dimensioni degli inserti vedere pag. 04.19</i></p>  <p>Contact arrangement View from termination side <i>Disposizione contatti</i> <i>Vista lato terminazioni</i></p> <ul style="list-style-type: none"> ● Operating contact <i>Contatto operativo</i> ◐ Relay contact <i>Contatto ausiliario</i> ○ Without contact <i>Senza contatto</i>  <p>Panel cut out for inserts For use without hood/housing <i>Foratura di alloggiamento inserti</i> <i>Per uso senza custodia</i></p>	<p>1-24</p> <p>25-48</p>	<p>7510.5933.0</p> <p>7510.5935.0</p> <p>Remark: 2 inserts are required per hood/housing <i>Attenzione: sono necessari 2 inserti ogni custodia</i></p>
<p>Hood/housing size 48B «104x62» <i>Custodie grandezza 48B «104x62»</i></p>	<p>Dimensions in mm Part No. bold letters refer to standard availability. Normal letters refer to items on special request. <i>Dimensioni in mm I codici in grassetto indicano i prodotti di normale disponibilità. Il carattere normale indica i prodotti speciali su richiesta.</i></p>	<p>Accessories, cable glands and tools see sections 50, 55 e 60 <i>Accessori, pressacavi ed attrezzi vedere sezioni 50, 55 e 60</i></p>	

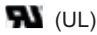

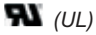

Technical characteristics	Caratteristiche tecniche																																																																																
<p>Specifications: EN 61984, EN 60664-1 UL 1977 CSA C22.2 No. 182.3</p> <p>Approvals:  (UL, CSA)</p> <p>Number of contacts 6, 12 (2x6) + ⊕</p> <p>Electrical data acc. to EN 61984</p> <table border="1" data-bbox="143 604 718 784"> <tr> <td></td> <td style="text-align: right;">35A 830V 6kV 3</td> </tr> <tr> <td>Working current</td> <td>_____</td> </tr> <tr> <td>Working voltage</td> <td>_____</td> </tr> <tr> <td>Rated impulse voltage</td> <td>_____</td> </tr> <tr> <td>Pollution degree</td> <td>_____</td> </tr> </table> <p>Pollution degree 2 also 35A 1000V 6kV 2</p> <p>Current carrying capacity: Please refer to "Electrical engineering data" page 00.35</p> <p>Working voltage acc. to UL/CSA 600V Insulation resistance $\geq 10^{10} \Omega$ Material Polycarbonate Limiting temperatures - 40 °C ... + 125 °C Flammability UL 94 V0 - GWT 960° Mechanical working life ≥ 500 cycles</p> <p>Contacts:</p> <table border="1" data-bbox="143 1142 734 1388"> <tr> <td>Material</td> <td>Copper alloy</td> </tr> <tr> <td>Surface</td> <td>Silver plated</td> </tr> <tr> <td>Contact resistance</td> <td>$\leq 0.5 m \Omega$</td> </tr> <tr> <td>Screw terminal</td> <td></td> </tr> <tr> <td>- mm²</td> <td>1.5 ÷ 6</td> </tr> <tr> <td>- AWG</td> <td>16 ÷ 10</td> </tr> <tr> <td>- Tightening torque</td> <td>1.2 Nm</td> </tr> <tr> <td>- Stripping length</td> <td>10,5 mm</td> </tr> <tr> <td>- Screws</td> <td>stainless steel on request</td> </tr> </table> <p>For solid or stranded wires</p> <p>Recommended enclosures:</p> <p>Type: STD, HE, EMC or STD-HV, HE-HV, HP-HE</p> <ul style="list-style-type: none"> - For STD, HE, EMC hoods/housings size 16B «77x27» and 32B «77x62» for applications up to 500V. - STD-HV, HE-HV, HP-HE hoods/housings size 16B «77x27» and 32B «77x62» for applications up to 830V are recommended <table border="1" data-bbox="143 1724 734 1915"> <tr> <td>Material</td> <td>Die cast aluminium</td> </tr> <tr> <td>Surface</td> <td>Powder coated</td> </tr> <tr> <td>Locking element</td> <td>With metal lever or screws</td> </tr> <tr> <td>Hoods/Housings seal</td> <td>NBR</td> </tr> <tr> <td>Temperature range</td> <td>-40 °C ... + 125 °C</td> </tr> <tr> <td>Degree of protection acc. to EN 60 529 for coupled connectors</td> <td>IP66 or IP68 (HP-HE)</td> </tr> </table> <p>Thread: Metric EN 50262 Pg DIN 40430</p> <p style="color: red;">According to EN61984 connectors should not be coupled and decoupled under electrical load.</p>		35A 830V 6kV 3	Working current	_____	Working voltage	_____	Rated impulse voltage	_____	Pollution degree	_____	Material	Copper alloy	Surface	Silver plated	Contact resistance	$\leq 0.5 m \Omega$	Screw terminal		- mm ²	1.5 ÷ 6	- AWG	16 ÷ 10	- Tightening torque	1.2 Nm	- Stripping length	10,5 mm	- Screws	stainless steel on request	Material	Die cast aluminium	Surface	Powder coated	Locking element	With metal lever or screws	Hoods/Housings seal	NBR	Temperature range	-40 °C ... + 125 °C	Degree of protection acc. to EN 60 529 for coupled connectors	IP66 or IP68 (HP-HE)	<p>Norme di riferimento: EN 61984, EN 60664-1 UL 1977 CSA C22.2 No. 182.3</p> <p>Approvazioni:  (UL, CSA)</p> <p>Numero dei contatti 6, 12 (2x6) + ⊕</p> <p>Caratteristiche elettriche secondo EN 61984</p> <table border="1" data-bbox="845 604 1420 784"> <tr> <td></td> <td style="text-align: right;">35A 830V 6kV 3</td> </tr> <tr> <td>Corrente nominale</td> <td>_____</td> </tr> <tr> <td>Tensione nominale</td> <td>_____</td> </tr> <tr> <td>Tensione ad impulso</td> <td>_____</td> </tr> <tr> <td>Grado di inquinamento</td> <td>_____</td> </tr> </table> <p>Oppure 35A 1000V 6kV 2</p> <p>Portata di corrente: Vedere pag. 00.35 "Caratteristiche elettriche"</p> <p>Tensione nominale secondo UL/CSA 600V Resistenza di isolamento $\geq 10^{10} \Omega$ Materiale Polycarbonate Limiti di temperature - 40 °C ... + 125 °C Autoestinguenza UL 94 V0 - GWT 960° Vita meccanica ≥ 500 cicli</p> <p>Contatti:</p> <table border="1" data-bbox="845 1142 1436 1388"> <tr> <td>Materiale</td> <td>Lega di rame</td> </tr> <tr> <td>Finitura:</td> <td>Argentati</td> </tr> <tr> <td>Resistenza di contatto</td> <td>$\leq 0.5 m \Omega$</td> </tr> <tr> <td>Terminali a vite</td> <td></td> </tr> <tr> <td>- mm²</td> <td>1.5 ÷ 6</td> </tr> <tr> <td>- AWG</td> <td>16 ÷ 10</td> </tr> <tr> <td>- Coppia di serraggio</td> <td>1.2 Nm</td> </tr> <tr> <td>- Lunghezza spellatura</td> <td>10,5 mm</td> </tr> <tr> <td>- Viti</td> <td>In acciaio inox su richiesta</td> </tr> </table> <p>Per fili rigidi o flessibili</p> <p>Custodie suggerite:</p> <p>Tipo: STD, HE, EMC o STD-HV, HE-HV, HP-HE</p> <ul style="list-style-type: none"> - Custodie STD, HE, EMC grandezza 16B «77x27» e 32B «77x62» per applicazioni fino a 500V. - Sono raccomandate custodie STD-HV, HE-HV, HP-HE grandezza 16B «77x27» e 32B «77x62» per applicazioni fino a 830V <table border="1" data-bbox="845 1724 1436 1915"> <tr> <td>Materiale</td> <td>Fusione di alluminio</td> </tr> <tr> <td>Superficie</td> <td>Verniciatura a polvere</td> </tr> <tr> <td>Sistema di chiusura</td> <td>Con leva metallica o viti</td> </tr> <tr> <td>Guarnizione</td> <td>NBR</td> </tr> <tr> <td>Limiti di temperature</td> <td>-40 °C ... + 125 °C</td> </tr> <tr> <td>Grado di protezione secondo EN 60529 connettori accoppiati</td> <td>IP66 o IP68 (HP-HE)</td> </tr> </table> <p>Filettature: Metrica EN 50262 Pg DIN 40430</p> <p style="color: red;">Secondo la norma EN61984 i connettori non devono essere connessi e sconnessi sotto carico</p>		35A 830V 6kV 3	Corrente nominale	_____	Tensione nominale	_____	Tensione ad impulso	_____	Grado di inquinamento	_____	Materiale	Lega di rame	Finitura:	Argentati	Resistenza di contatto	$\leq 0.5 m \Omega$	Terminali a vite		- mm ²	1.5 ÷ 6	- AWG	16 ÷ 10	- Coppia di serraggio	1.2 Nm	- Lunghezza spellatura	10,5 mm	- Viti	In acciaio inox su richiesta	Materiale	Fusione di alluminio	Superficie	Verniciatura a polvere	Sistema di chiusura	Con leva metallica o viti	Guarnizione	NBR	Limiti di temperature	-40 °C ... + 125 °C	Grado di protezione secondo EN 60529 connettori accoppiati	IP66 o IP68 (HP-HE)
	35A 830V 6kV 3																																																																																
Working current	_____																																																																																
Working voltage	_____																																																																																
Rated impulse voltage	_____																																																																																
Pollution degree	_____																																																																																
Material	Copper alloy																																																																																
Surface	Silver plated																																																																																
Contact resistance	$\leq 0.5 m \Omega$																																																																																
Screw terminal																																																																																	
- mm ²	1.5 ÷ 6																																																																																
- AWG	16 ÷ 10																																																																																
- Tightening torque	1.2 Nm																																																																																
- Stripping length	10,5 mm																																																																																
- Screws	stainless steel on request																																																																																
Material	Die cast aluminium																																																																																
Surface	Powder coated																																																																																
Locking element	With metal lever or screws																																																																																
Hoods/Housings seal	NBR																																																																																
Temperature range	-40 °C ... + 125 °C																																																																																
Degree of protection acc. to EN 60 529 for coupled connectors	IP66 or IP68 (HP-HE)																																																																																
	35A 830V 6kV 3																																																																																
Corrente nominale	_____																																																																																
Tensione nominale	_____																																																																																
Tensione ad impulso	_____																																																																																
Grado di inquinamento	_____																																																																																
Materiale	Lega di rame																																																																																
Finitura:	Argentati																																																																																
Resistenza di contatto	$\leq 0.5 m \Omega$																																																																																
Terminali a vite																																																																																	
- mm ²	1.5 ÷ 6																																																																																
- AWG	16 ÷ 10																																																																																
- Coppia di serraggio	1.2 Nm																																																																																
- Lunghezza spellatura	10,5 mm																																																																																
- Viti	In acciaio inox su richiesta																																																																																
Materiale	Fusione di alluminio																																																																																
Superficie	Verniciatura a polvere																																																																																
Sistema di chiusura	Con leva metallica o viti																																																																																
Guarnizione	NBR																																																																																
Limiti di temperature	-40 °C ... + 125 °C																																																																																
Grado di protezione secondo EN 60529 connettori accoppiati	IP66 o IP68 (HP-HE)																																																																																


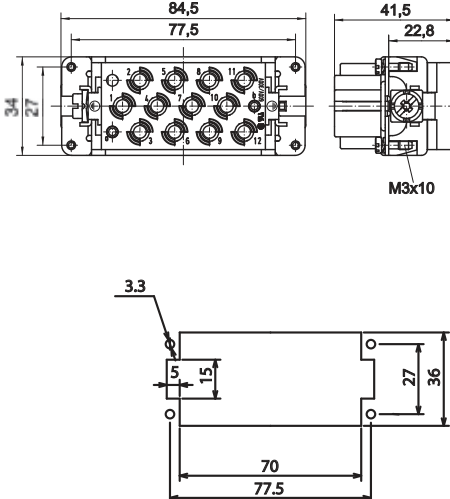

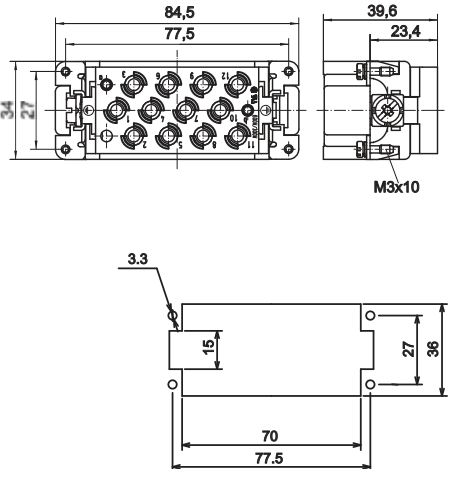
Screw terminal female inserts Inserti femmina con terminali a vite		Size 16B, 6p + ⚡	UL/CSA : 600 V	Part No. Codice
 <p>  </p> <ul style="list-style-type: none"> - For STD hoods/housings size 16B «77x27» for applications up to 500V. - STD-HV and HE-HV hoods/housings size 16B «77x27» for applications up to 830V are recommended. - Custodie STD grandezza 16B «77x27» per applicazioni fino a 500V. - Sono raccomandate custodie STD-HV e HE-HV grandezza 16B «77x27» per applicazioni fino a 830V <p>With wire protection Wire size 0.5-6 mm² (20-10 AWG)</p> <p>Con proteggi-filo Filo di sezione 0.5-6 mm² (20-10 AWG)</p>	<p>Contact arrangement View from termination side Disposizione contatti Vista lato terminazioni</p>    <p>Panel cut out for inserts For use without hood/housings Foratura di alloggiamento inserti Per uso senza custodie</p>	<p>7306.6041.0</p> <p>In accordance with Euromap Recommendation No. 14-2 Secondo Raccomandazioni Euromap No.14-2</p>		
 <p>  </p> <ul style="list-style-type: none"> - For STD hoods/housings size 16B «77x27» for applications up to 500V. - STD-HV and HE-HV hoods/housings size 16B «77x27» for applications up to 830V are recommended. - Custodie STD grandezza 16B «77x27» per applicazioni fino a 500V. - Sono raccomandate custodie STD-HV e HE-HV grandezza 16B «77x27» per applicazioni fino a 830V <p>With wire protection Wire size 0.5-6 mm² (20-10 AWG)</p> <p>Con proteggi-filo Filo di sezione 0.5-6 mm² (20-10 AWG)</p>	<p>Contact arrangement View from termination side Disposizione contatti Vista lato terminazioni</p>    <p>Panel cut out for inserts For use without hood/housings Foratura di alloggiamento inserti Per uso senza custodie</p>	<p>7306.6141.0</p> <p>In accordance with Euromap Recommendation No. 14-2 Secondo Raccomandazioni Euromap No.14-2</p>		
<p>Hood/housing size 16B «77x27» Custodie grandezza 16B «77x27»</p>	<p>Dimensions in mm Part No. bold letters refer to standard availability. Normal letters refer to items on special request. Dimensioni in mm I codici in grassetto indicano i prodotti di normale disponibilità. Il carattere normale indica i prodotti speciali su richiesta.</p>	<p>Accessories, cable glands and tools see sections 50, 55 e 60 Accessori, pressacavi ed attrezzi vedere sezioni 50, 55 e 60</p>		

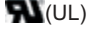





Screw terminal female inserts Inserti femmina con terminali a vite		Size 32B, 12p + ⚡	UL/CSA : 600 V	Part No. Codice
<p></p>  <p>- For STD hoods/housings size 32B «77x62» for applications up to 500V and 830V.</p> <p>- Custodie STD grandezza 32B «77x62» per applicazioni fino a 500V e 830V.</p> <p>With wire protection Wire size 0.5-6 mm² (20-10 AWG)</p> <p>Con proteggi-filo Filo di sezione 0.5-6 mm² (20-10 AWG)</p>	<p>Insert dimensions see page 05.02 imensioni degli inserti vedi pag. 05.02</p> <p>Contact arrangement View from termination side Disposizione contatti Vista lato terminazioni</p>  <p>Panel cut out for inserts For use without hood/housings Foratura di alloggiamento inserti Per uso senza custodie</p> 			<p>7306.6041.0 (numbering 1-6) (numerazione 1-6)</p> <p>7306.6042.0 (numbering 7-12) (numerazione 7-12)</p>
Screw terminal male inserts Inserti maschio con terminali a vite		Size 32B, 12p + ⚡	UL/CSA : 600 V	Part No. Codice
<p></p>  <p>- For STD hoods/housings size 32B «77x62» for applications up to 500V and 830V.</p> <p>- Custodie STD grandezza 32B «77x62» per applicazioni fino a 500V e 830V.</p> <p>With wire protection Wire size 0.5-6 mm² (20-10 AWG)</p> <p>Con proteggi-filo Filo di sezione 0.5-6 mm² (20-10 AWG)</p>	<p>Insert dimensions see page 05.02 Dimensioni degli inserti vedi pag. 05.02</p> <p>Contact arrangement View from termination side Disposizione contatti Vista lato terminazioni</p>  <p>Panel cut out for inserts For use without hood/housings Foratura di alloggiamento inserti Per uso senza custodie</p> 			<p>7306.6141.0 (numbering 1-6) (numerazione 1-6)</p> <p>7306.6142.0 (numbering 7-12) (numerazione 7-12)</p>
<p>Hood/housing size 32B «77x62» Custodie grandezza 32B «77x62»</p>	<p>Dimensions in mm Part No. bold letters refer to standard availability. Normal letters refer to items on special request. Dimensioni in mm I codici in grassetto indicano i prodotti di normale disponibilità. Il carattere normale indica i prodotti speciali su richiesta.</p>	<p>Accessories, cable glands and tools see sections 50, 55 e 60 Accessori, pressacavi ed attrezzi vedere sezioni 50, 55 e 60</p>		


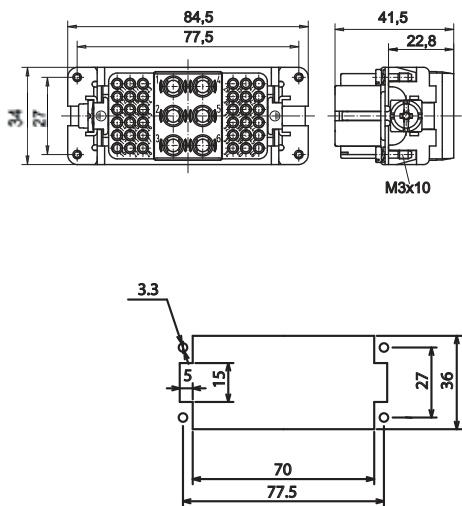

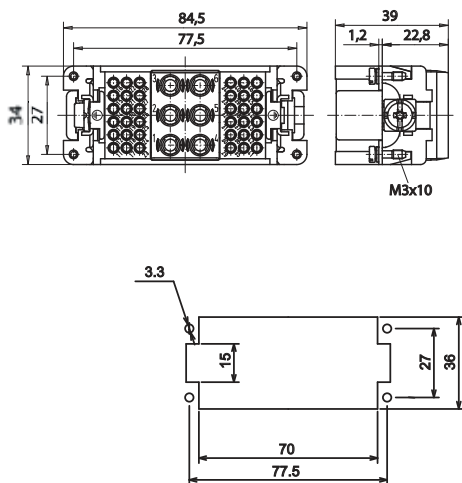
Technical characteristics	Caratteristiche tecniche
Specifications: EN 61984, EN 60664-1 UL 1977 CSA C22.2 No. 182.3	Norme di riferimento: EN 61984, EN 60664-1 UL 1977 CSA C22.2 No. 182.3
Approvals:  (UL)  	Approvazioni:  (UL)  
Number of contacts 8 + 24 + Ⓢ	Numero dei contatti 8 + 24 + Ⓢ
Electrical data acc. to EN 61984	Caratteristiche elettriche secondo EN 61984
Power area: 16A 230/400V 4kV 3 Working current _____ Working voltage conductor-ground _____ Working voltage conductor-conductor _____ Rated impulse voltage _____ Pollution degree _____	Area di potenza: 16A 230/400V 4kV 3 Corrente nominale _____ Tensione nominale fase - neutro _____ Tensione nominale fase - fase _____ Tensione ad impulso _____ Grado di inquinamento _____
Pollution degree 2 also 16A 400V 4kV 2	Con grado di inquinamento 2 16A 400V 4kV 2
Signal area: 10A 160V 2,5kV 3 Working current _____ Working voltage _____ Rated impulse voltage _____ Pollution degree _____	Area di segnale 10A 160V 2,5kV 3 Corrente nominale _____ Tensione nominale _____ Tensione ad impulso _____ Grado di inquinamento _____
Pollution degree 2 also 10A 250V 4kV 2	Con grado di inquinamento 2 10A 250V 4kV 2
Current carrying capacity: Please refer to "Electrical engineering data" page 00.35	Portata di corrente: Vedere pag. 00.35 "Caratteristiche elettriche"
Working voltage acc. to UL/CSA 600V/300V Insulation resistance $\geq 10^{10} \Omega$ Material Polycarbonate Limiting temperatures - 40 °C ... + 125 °C Flammability acc. to UL 94 V0 Mechanical working life ≥ 500 cycles	Tensione nominale sec. UL/CSA 600V/300V Resistenza di isolamento $\geq 10^{10} \Omega$ Materiale Policarbonato Limiti di temperature - 40 °C ... + 125 °C Autoestinguenza UL 94 V0 Vita meccanica ≥ 500 cicli
Contacts: Power / Signal Material Copper alloy Surface Silver plated Contact resistance mΩ $\leq 1,0 / \leq 3,0$ Crimp terminal, turned - mm ² 0,14-4 / 0,5-2.5 - AWG 26 - 12 / 26 + 14	Contatti: Potenza / Segnale Materiale Lega di rame Finitura: Argentati Resistenza di contatto mΩ $\leq 1,0 / \leq 3,0$ Terminali a crimpare, torniti - mm ² 0,14-4 / 0,5-2.5 - AWG 26 - 12 / 26 + 14
For solid or stranded wires	Per fili rigidi o flessibili
Recommended enclosures: Section 21,22,23,25,26,27,30	Custodie suggerite: Sezioni 21,22,23,25,26,27,30
Type: STD, HE, EMC, HP-HE Material Die cast aluminium Surface Powder coated Locking element With metal lever or screws Hoods/Housings seal NBR Limiting temperatures -40 °C ... + 125 °C Degree of protection acc. to EN 60529 for coupled connector IP66 or IP68 (HP-HE)	Tipo: STD, HE, EMC, HP-HE Materiale Fusione di alluminio Superficie Verniciatura a polvere Sistema di chiusura Con leva metallica o viti Guarnizione NBR Limiti di temperature -40 °C ... + 125 °C Grado di protezione secondo EN 60529 connettori accoppiati IP66 o IP68 (HP-HE)
Thread: Metric EN 50262 Pg DIN 40430	Filettature: Metrica EN 50262 Pg DIN 40430
<p style="color: red;">According to EN61984 connectors should not be coupled and decoupled under electrical load.</p>	<p style="color: red;">Secondo la norma EN61984 i connettori non devono essere connessi e sconnessi sotto carico</p>



Inserts for crimp contacts Inserti per contatti a crimpare	Size 10B, 8p + 24p + Ⓢ UL/CSA : 600/300 V	No. Poles Num. Poli	Part No. Codice
<p>Contact carrier for female contacts Inserto porta contatti per contatti femmina</p>  <p>UL CE RoHS</p> <p>Female contacts 16A, 8 pcs, page 07.21 Female contacts 10A, 24 pcs, page 07.19 Please order contacts separately Contatti femmina 16A, 8 pz pag. 07.21 Contatti femmina 10A, 24 pz. pag. 07.19 Contatti da ordinare separatamente</p>	 <p>Panel cut out for inserts For use without hood/housing Foratura di alloggiamento inserti Per uso senza custodia</p>	<p>8 x 16A 24 x 10A</p>	<p>7332.6036.0</p>
<p>Contact carrier for male contacts Inserto porta contatti per contatti maschio</p>  <p>UL CE RoHS</p> <p>Male contacts 16A, 8 pcs, page 07.21 Male contacts 10A, 24 pcs, page 07.19 Please order contacts separately Contatti maschio 16A, 8 pz pag. 07.21 Contatti maschio 10A, 24 pz. pag. 07.19 Contatti da ordinare separatamente</p>	 <p>Panel cut out for inserts For use without hood/housing Foratura di alloggiamento inserti Per uso senza custodia</p>	<p>8 x 16A 24 x 10A</p>	<p>7332.6136.0</p>
<p>Hood/housing size 10B «57x27» Custodie grandezza 10B «57x27»</p>	<p>Dimensions in mm. Part No. bold letters refer to standard availability. Normal letters refer to items on special request. Dimensioni in mm. I codici in grassetto indicano i prodotti di normale disponibilità. Il carattere normale indica i prodotti speciali su richiesta.</p>		<p>Accessories, cable glands and tools see sections 50, 55 e 60 Accessori, pressacavi ed attrezzi vedere sezioni 50, 55 e 60</p>


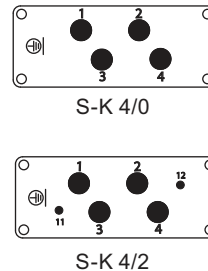
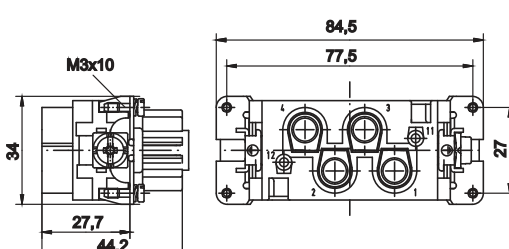
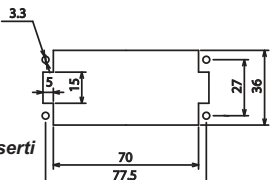

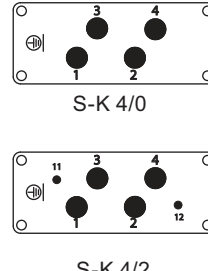
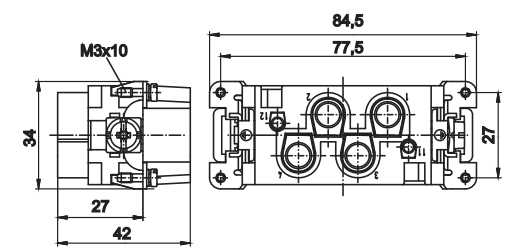
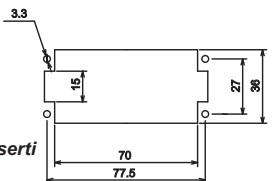
Technical characteristics	Caratteristiche tecniche
<p>Specifications: EN 61984, EN 60664-1 UL 1977 CSA C22.2 No. 182.3</p> <p>Approvals:  (UL)  (RoHS)</p> <p>Number of contacts 12 + 2 + Ⓢ</p> <p>Electrical data acc. to EN 61984</p> <p>Power area: 40A 690V 8kV 3</p> <p>Working current _____ Working voltage _____ Rated impulse voltage _____ Pollution degree _____</p> <p>Signal area: 10A 250V 4kV 3</p> <p>Working current _____ Working voltage _____ Rated impulse voltage _____ Pollution degree _____</p> <p>Current carrying capacity: Please refer to "Electrical engineering data" page 00.35</p> <p>Working voltage acc. to UL/CSA 600V / 300V Insulation resistance $\geq 10^{10} \Omega$ Material Polycarbonate Limiting temperatures - 40 °C ... + 125 °C Flammability acc. to UL 94 V0 Mechanical working life ≥ 500 cycles</p> <p>Contacts: Power / Signal</p> <p>Material Copper alloy Surface Silver or gold plated Contact resistance mΩ $\leq 0,3 / \leq 3,0$ Crimp terminal turned - mm² 1.5-6 / 0.14-2.5 - AWG 16 - 10 / 26 ÷ 14</p> <p>For stranded wires</p> <p>Recommended enclosures: Section 21,22,23,25,26,27,30</p> <p>Type: STD, HE, EMC, HP-HE</p> <p>Material Die cast aluminium Surface Powder coated Locking element With metal lever or screws Hoods/Housings seal NBR Limiting temperatures -40 °C ... + 125 °C Degree of protection acc. to EN 60529 for coupled connector IP66 or IP68 (HP-HE)</p> <p>Thread: Metric EN 50262 Pg DIN 40430</p>	<p>Norme di riferimento: EN 61984, EN 60664-1 UL 1977 CSA C22.2 No. 182.3</p> <p>Approvazioni:  (UL)  (RoHS)</p> <p>Numero dei contatti 12 + 2 + Ⓢ</p> <p>Caratteristiche elettriche secondo EN 61984</p> <p>Area di potenza: 40A 690V 8kV 3</p> <p>Corrente nominale _____ Tensione nominale _____ Tensione ad impulso _____ Grado di inquinamento _____</p> <p>Area di segnale 10A 250V 4kV 3</p> <p>Corrente nominale _____ Tensione nominale _____ Tensione ad impulso _____ Grado di inquinamento _____</p> <p>Portata di corrente: Vedere pag. 00.35 "Caratteristiche elettriche"</p> <p>Tensione nominale secondo UL/CSA 600V / 300V Resistenza di isolamento $\geq 10^{10} \Omega$ Materiale Polycarbonate Limiti di temperature - 40 °C ... + 125 °C Autoestinguenza UL 94 V0 Vita meccanica ≥ 500 cicli</p> <p>Contatti: Potenza / Segnale</p> <p>Materiale Lega di rame Finitura: Argentati o dorati Resistenza di contatto mΩ 0,3 / $\leq 3,0$ Terminali a crimpare torniti - mm² 1.5-6 / 0.14-2.5 - AWG 16 - 10 / 26 ÷ 14</p> <p>Per fili flessibili</p> <p>Custodie suggerite: Sezioni 21,22,23,25,26,27,30</p> <p>Tipo: STD, HE, EMC, HP-HE</p> <p>Materiale Fusione di alluminio Superficie Verniciatura a polvere Sistema di chiusura Con leva metallica o viti Guarnizione NBR Limiti di temperature -40 °C ... + 125 °C Grado di protezione secondo EN 60529 connettori accoppiati IP66 o IP68 (HP-HE)</p> <p>Filettature: Metrica EN 50262 Pg DIN 40430</p>
<p>According to EN61984 connectors should not be coupled and decoupled under electrical load.</p>	<p>Secondo la norma EN61984 i connettori non devono essere connessi e sconnessi sotto carico</p>









Inserts for crimp contacts Inserti per contatti a crimpare	Size 16B, 12p + 2p + Ⓢ UL/CSA : 600/300 V	No. Poles Num. Poli	Part No. Codice
<p>Contact carrier for female contacts Inserto porta contatti per contatti femmina</p>  <p>UL CE RoHS</p> <p>Female contacts 40A, 12 pcs, page 07.22 Female contacts 10A, 2 pcs, page 07.19 Please order contacts separately Contatti femmina 40A, 12 pz pag. 07.22 Contatti femmina 10A, 2 pz. pag. 07.19 Contatti da ordinare separatamente</p>	 <p>Panel cut out for inserts For use without hood/housing Foratura di alloggiamento inserti Per uso senza custodia</p>	12 x 40A 2 x 10A	7314.6040.0
<p>Contact carrier for male contacts Inserto porta contatti per contatti maschio</p>  <p>UL CE RoHS</p> <p>Male contacts 40A, 12 pcs, page 07.22 Male contacts 10A, 2 pcs, page 07.19 Please order contacts separately Contatti maschio 40A, 12 pz pag. 07.22 Contatti maschio 10A, 2 pz. pag. 07.19 Contatti da ordinare separatamente</p>	 <p>Panel cut out for inserts For use without hood/housing Foratura di alloggiamento inserti Per uso senza custodia</p>	12 x 40A 2 x 10A	7314.6140.0
<p>Hood/housing size 16B «77x27» Custodie grandezza 16B «77x27»</p>	<p>Dimensions in mm. Part No. bold letters refer to standard availability. Normal letters refer to items on special request. Dimensioni in mm. I codici in grassetto indicano i prodotti di normale disponibilità. Il carattere normale indica i prodotti speciali su richiesta.</p>	<p>Accessories, cable glands and tools see sections 50, 55 e 60 Accessori, pressacavi ed attrezzi vedere sezioni 50, 55 e 60</p>	



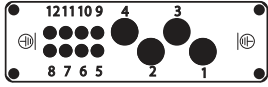
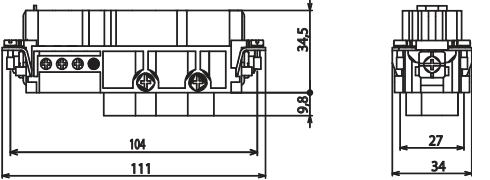
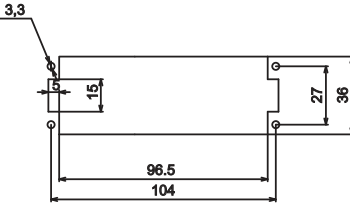


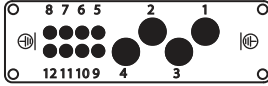
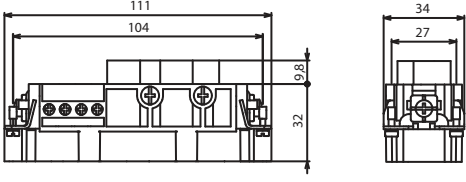
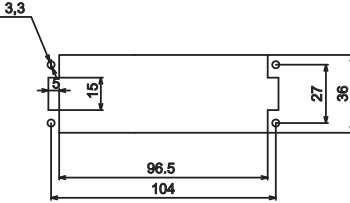
Technical characteristics	Caratteristiche tecniche
Specifications: EN 61984, EN 60664-1 UL 1977 CSA C22.2 No. 182.3	Norme di riferimento: EN 61984, EN 60664-1 UL 1977 CSA C22.2 No. 182.3
Approvals:  (UL)  	Approvazioni:  (UL)  
Number of contacts 6 + 36 + Ⓢ	Numero dei contatti 6 + 36 + Ⓢ
Electrical data acc. to EN 61984	Caratteristiche elettriche secondo EN 61984
Power area: 40A 690V 8kV 3 Working current _____ Working voltage _____ Rated impulse voltage _____ Pollution degree _____	Area di potenza: 40A 690V 8kV 3 Corrente nominale _____ Tensione nominale _____ Tensione ad impulso _____ Grado di inquinamento _____
Signal area: 10A 160V 2,5kV 3 Working current _____ Working voltage _____ Rated impulse voltage _____ Pollution degree _____	Area di segnale 10A 160V 2,5kV 3 Corrente nominale _____ Tensione nominale _____ Tensione ad impulso _____ Grado di inquinamento _____
Pollution degree 2 also 10A 250V 4kV 2	Con grado di inquinamento 2 10A 250V 4kV 2
Current carrying capacity: Please refer to "Electrical engineering data" page 00.35	Portata di corrente: Vedere pag. 00.35 "Caratteristiche elettriche"
Working voltage acc. to UL/CSA 600V/300V Insulation resistance $\geq 10^{10} \Omega$ Material Polycarbonate Limiting temperatures -40 °C ... +125 °C Flammability acc. to UL 94 V0 Mechanical working life ≥ 500 cycles	Tensione nominale secondo UL/CSA 600V/300V Resistenza di isolamento $\geq 10^{10} \Omega$ Materiale Policarbonato Limiti di temperature -40 °C ... +125 °C Autoestinguenza UL 94 V0 Vita meccanica ≥ 500 cicli
Contacts: Power / Signal Material Copper alloy Surface Silver or gold plated Contact resistance mΩ $\leq 0,3$ / $\leq 3,0$ Crimp terminal turned - mm ² 1.5-6.0 / 0.14-2.5 - AWG 16 - 10 / 26 + 14	Contatti: Potenza / Segnale Materiale Lega di rame Finitura: Argentati o dorati Resistenza di contatto mΩ $\leq 0,3$ / $\leq 3,0$ Terminali a crimpare torniti - mm ² 1.5-6.0 / 0.14-2.5 - AWG 16 - 10 / 26 + 14
For stranded wires	Per fili flessibili
Recommended enclosure: Section 21,22,23,25,26,27,30	Custodie suggerite: Sezioni 21,22,23,25,26,27,30
Type: STD, HE, EMC, HP-HE Material Die cast aluminium Surface Powder coated Locking element With metal lever or screws Hoods/Housings seal NBR Limiting temperatures -40 °C ... +125 °C Degree of protection acc. to EN 60529 for coupled connector IP66 or IP68 (HP-HE)	Tipo: STD, HE, EMC, HP-HE Materiale Fusione di alluminio Superficie Verniciatura a polvere Sistema di chiusura Con leva metallica o viti Guarnizione NBR Limiti di temperature -40 °C ... +125 °C Grado di protezione secondo EN 60529 connettori accoppiati IP66 o IP68 (HP-HE)
Thread: Metric EN 50262 Pg DIN 40430	Filettature: Metrica EN 50262 Pg DIN 40430
<p style="color: red; text-align: center;">According to EN61984 connectors should not be coupled and decoupled under electrical load.</p>	<p style="color: red; text-align: center;">Secondo la norma EN61984 i connettori non devono essere connessi e sconnessi sotto carico</p>







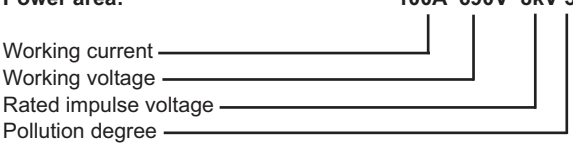
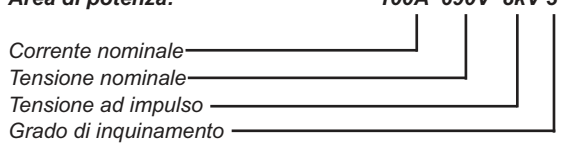
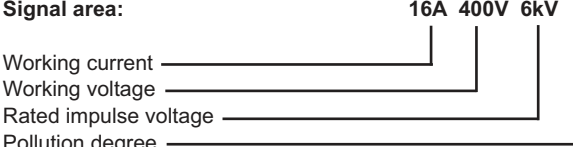
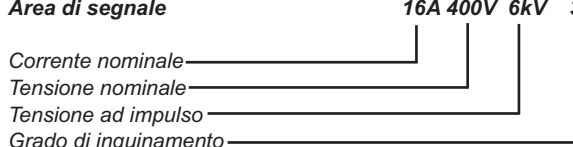
Inserts for crimp contacts Inserti per contatti a crimpare	Size 16B, 6p + 36p + Ⓢ UL/CSA : 600/300 V	No. Poles Num. Poli	Part No. Codice
<p>Contact carrier for female contacts Inserto porta contatti per contatti femmina</p>  <p>UL CE RoHS</p> <p>Female contacts 40A, 6 pcs, page 07.22 Female contacts 10A, 36 pcs, page 07.19 Please order contacts separately Contatti femmina 40A, 6 pz pag. 07.22 Contatti femmina 10A, 36 pz. pag. 07.19 Contatti da ordinare separatamente</p>	 <p>Panel cut out for inserts For use without hood/housing Foratura di alloggiamento inserti Per uso senza custodia</p>	6 x 40A 36 x 10A	7342.6039.0
<p>Contact carrier for male contacts Inserto porta contatti per contatti maschio</p>  <p>UL CE RoHS</p> <p>Male contacts 40A, 6 pcs, page 07.22 Male contacts 10A, 36 pcs, page 07.19 Please order contacts separately Contatti maschio 40A, 6 pz pag. 07.22 Contatti maschio 10A, 36 pz. pag. 07.19 Contatti da ordinare separatamente</p>	 <p>Panel cut out for inserts For use without hood/housing Foratura di alloggiamento inserti Per uso senza custodia</p>	6 x 40A 36 x 10A	7342.6139.0
<p>Hood/housing size 16B «77x27» Custodie grandezza 16B «77x27»</p>	<p>Dimensions in mm. Part No. bold letters refer to standard availability. Normal letters refer to items on special request. Dimensioni in mm. I codici in grassetto indicano i prodotti di normale disponibilità. Il carattere normale indica i prodotti speciali su richiesta.</p>	<p>Accessories, cable glands and tools see sections 50, 55 e 60 Accessori, pressacavi ed attrezzi vedere sezioni 50, 55 e 60</p>	





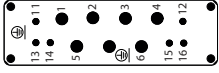
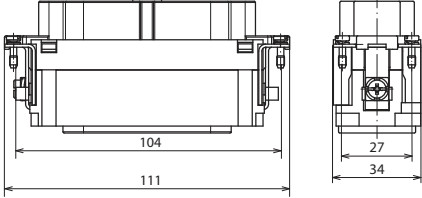
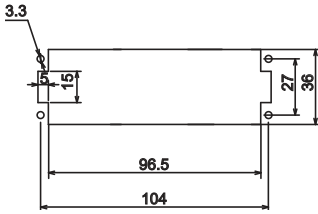




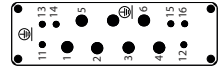
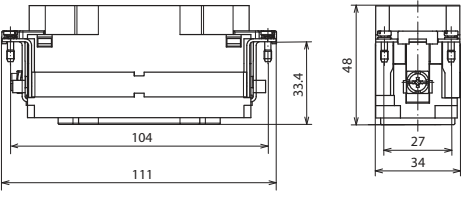
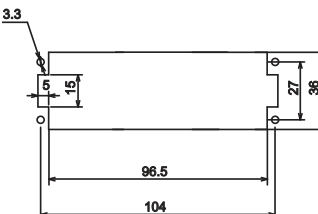
Technical characteristics	Caratteristiche tecniche
<p>Specifications: EN 61984, EN 60664.1 UL 1977 CSA C22.2 No. 182.3</p>	<p>Norme di riferimento: EN 61984, EN 60664.1 UL 1977 CSA C22.2 No. 182.3</p>
<p>Approvals: </p>	<p>Approvazioni: </p>
<p>Number of contacts 4 + 2 + ⊕</p>	<p>Numero dei contatti 4 + 2 + ⊕</p>
<p>Electrical data acc. to EN 61984</p>	<p>Caratteristiche elettriche secondo EN 61984</p>
<p>Power area: 80A 830V 8kV 3</p> <p>Working current _____ Working voltage _____ Rated impulse voltage _____ Pollution degree _____</p>	<p>Area di potenza: 80A 830V 8kV 3</p> <p>Corrente nominale _____ Tensione nominale _____ Tensione ad impulso _____ Grado di inquinamento _____</p>
<p>Pollution degree 2 also 80A 1000V 8kV 2</p>	<p>Con grado di inquinamento 2 80A 1000V 8kV 2</p>
<p>Signal area: 16A 400V 6kV 3</p> <p>Working current _____ Working voltage _____ Rated impulse voltage _____ Pollution degree _____</p>	<p>Area di segnale 16A 400V 6kV 3</p> <p>Corrente nominale _____ Tensione nominale _____ Tensione ad impulso _____ Grado di inquinamento _____</p>
<p>Pollution degree 2 also 16A 400/690V 6kV 2</p>	<p>Con grado di inquinamento 2 16A 400/690V 6kV 2</p>
<p>Current carrying capacity: Please refer to "Electrical engineering data" page 00.36</p>	<p>Portata di corrente: Vedere pag. 00.36 "Caratteristiche elettriche"</p>
<p>Working voltage acc. to UL/CSA 600V Insulation resistance $\geq 10^{10} \Omega$ Material Polycarbonate Limiting temperatures -40 °C ... +125 °C Flammability acc. to UL 94 V0 - GWT 960° Mechanical working life ≥ 500 cycles</p>	<p>Tensione nominale secondo UL/CSA 600V Resistenza di isolamento $\geq 10^{10} \Omega$ Materiale Policarbonato Limiti di temperatura -40 °C ... +125 °C Autoestinguenza UL 94 V0 - GWT 960° Vita meccanica ≥ 500 cicli</p>
<p>Contacts: Power / Signal</p> <p>Material Copper alloy Surface Silver plated Contact resistance mΩ $\leq 0,3$ / $\leq 1,0$ Screw terminal - mm² 1.5-16 / 0.5-2.5 - AWG 16 - 5 / 20 + 14 - Tightening torque 2,5 Nm / 0,5 Nm - Stripping length 14 mm / 7,0 mm</p>	<p>Contatti: Potenza / Segnale</p> <p>Materiale Lega di rame Finitura: Argentati Resistenza di contatto mΩ $\leq 0,3$ / $\leq 1,0$ Terminali a vite - mm² 1.5-16 / 0.5-2.5 - AWG 16 - 5 / 20 + 14 - Coppia di serraggio 2,5 Nm / 0,5 Nm - Lunghezza spellatura 14mm / 7,0 mm</p>
<p>For stranded wires</p>	<p>Per fili flessibili</p>
<p>Recommended enclosure: Section 21,22,23,25,26,27,30</p>	<p>Custodie suggerite: Sezioni 21,22,23,25,26,27,30</p>
<p>Type: STD, HE, EMC up to 500V STD-HV, HE-HV, HP-HE up to 830V</p> <p>Material Die cast aluminium Surface Powder coated Locking element With metal lever or screws Hoods/Housings seal NBR Limiting temperatures -40 °C ... +125 °C Degree of protection acc. to EN 60529 for coupled connector IP66 or IP68 (HP-HE)</p>	<p>Type: STD, HE, EMC fino a 500V STD-HV, HE-HV, HP-HE fino a 830V</p> <p>Materiale Fusione di alluminio Superficie Verniciatura a polvere Sistema di chiusura Con leva metallica o viti Guarnizione NBR Limiti di temperatura -40 °C ... +125 °C Grado di protezione secondo EN 60529 connettori accoppiati IP66 o IP68 (HP-HE)</p>
<p>Thread: Metric EN 50262 Pg DIN 40430</p>	<p>Filettature: Metrica EN 50262 Pg DIN 40430</p>
<p>According to EN61984 connectors should not be coupled and decoupled under electrical load.</p>	<p>Secondo la norma EN61984 i connettori non devono essere connessi e sconnessi sotto carico</p>

Screw terminal female inserts Inserti femmina con terminali a vite		UL/CSA : 600 V	No. Poles Num. Poli	Part No. Codice
 <p> - For STD hoods/housings size 16B «77x27» for applications up to 500V. - STD-HV and HE-HV hoods/housings size 16B «77x27» for applications up to 830V are recommended (power contacts). - Custodie STD grandezza 16B «77x27» per applicazioni fino a 500V. - Sono raccomandate custodie STD-HV e HE-HV grandezza 16B «77x27» per applicazioni fino a 830V (contatti di potenza). 80A contacts without wire protection 16A contacts with wire protection Contatti da 80A senza proteggi-filo Contatti da 16A con proteggi-filo </p>	<p>Contact arrangement View from termination side Disposizione contatti Vista lato terminazioni</p>  <p>S-K 4/0</p> <p>S-K 4/2</p>  <p>Panel cut out for inserts For use without hood/housings Foratura di alloggiamento inserti Per uso senza custodie</p> 	<p>4x80A</p> <p>4x80A 2x16A</p>	<p>7304.6044.0</p> <p>7306.6045.0</p>	
				<p>Screw terminal male inserts Inserti maschio con terminali a vite</p> <p>UL/CSA : 600 V</p> <p>No. of poles No. poli</p> <p>Part No. Codice</p>
 <p> - For STD hoods/housings size 16B «77x27» for applications up to 500V. - STD-HV and HE-HV hoods/housings size 16B «77x27» for applications up to 830V are recommended (power contacts). - Custodie STD grandezza 16B «77x27» per applicazioni fino a 500V. - Sono raccomandate custodie STD-HV e HE-HV grandezza 16B «77x27» per applicazioni fino a 830V (contatti di potenza). 80A contacts without wire protection 16A contacts with wire protection Contatti da 80A senza proteggi-filo Contatti da 16A con proteggi-filo </p>	<p>Contact arrangement View from termination side Disposizione contatti Vista lato terminazioni</p>  <p>S-K 4/0</p> <p>S-K 4/2</p>  <p>Panel cut out for inserts For use without hood/housings Foratura di alloggiamento inserti Per uso senza custodie</p> 	<p>4x80A</p> <p>4x80A 2x16A</p>	<p>7304.6144.0</p> <p>7306.6145.0</p>	
				<p>Hood/housing size 16B «77x27» Custodie grandezza 16B «77x27»</p> <p>Dimensions in mm Part No. bold letters refer to standard availability. Normal letters refer to items on special request. Dimensioni in mm I codici in grassetto indicano i prodotti di normale disponibilità. Il carattere normale indica i prodotti speciali su richiesta.</p> <p>Accessories, cable glands and tools see sections 50, 55 e 60 Accessori, pressacavi ed attrezzi vedere sezioni 50, 55 e 60</p>

Technical characteristics	Caratteristiche tecniche
<p>Specifications: EN 61984, EN 60664.1 UL 1977 CSA C22.2 No. 182.3</p> <p>Approvals:   (UL, CSA)  </p> <p>Number of contacts 4 + 8 + Ⓢ</p> <p>Electrical data acc. to EN 61984</p> <p>Power area: 80A 500V 6kV 3</p> <p>Working current _____ Working voltage _____ Rated impulse voltage _____ Pollution degree _____</p> <p>Pollution degree 2 also 80A 400/690V 6kV 2</p> <p>Signal area: 16A 500V 6kV 3</p> <p>Working current _____ Working voltage _____ Rated impulse voltage _____ Pollution degree _____</p> <p>Pollution degree 2 also 16A 400/690V 6kV 2</p> <p>Current carrying capacity: Please refer to "Electrical engineering data" page 00.36</p> <p>Working voltage acc. to UL/CSA 600V Insulation resistance $\geq 10^{10} \Omega$ Material Polycarbonate Limiting temperatures - 40 °C ... + 125 °C Flammability acc. to UL 94 V0 - GWT 960° Mechanical working life ≥ 500 cycles</p> <p>Contacts: Power / Signal</p> <p>Material Copper alloy Surface Silver plated Contact resistance mΩ $\leq 0,3 / \leq 1,0$ Screw terminal - mm² 1.5-16 / 0.5-2.5 - AWG 16 - 5 / 20 ÷ 14 - Tightening torque 2,5 Nm / 0,5 Nm - Stripping length 14 mm / 7,0 mm - Screws stainless steel on request</p> <p>For stranded wires</p> <p>Recommended enclosure: Section 21,22,23,25,26,27,30</p> <p>Type: STD, HE, EMC, HP-HE</p> <p>Material Die cast aluminium Surface Powder coated Locking element With metal lever or screws Hoods/Housings seal NBR Limiting temperatures -40 °C ... + 125 °C Degree of protection acc. to EN 60529 for coupled connector IP66 or IP68 (HP-HE)</p> <p>Thread: Metric EN 50262 Pg DIN 40430</p> <p>According to EN61984 connectors should not be coupled and decoupled under electrical load.</p>	<p>Norme di riferimento: EN 61984, EN 60664.1 UL 1977 CSA C22.2 No. 182.3</p> <p>Approvazioni:   (UL, CSA)  </p> <p>Numero dei contatti 4 + 8 + Ⓢ</p> <p>Caratteristiche elettriche secondo EN 61984</p> <p>Area di potenza: 80A 500V 6kV 3</p> <p>Corrente nominale _____ Tensione nominale _____ Tensione ad impulso _____ Grado di inquinamento _____</p> <p>Con grado di inquinamento 2 80A 400/690V 6kV 2</p> <p>Area di segnale 16A 500V 6kV 3</p> <p>Corrente nominale _____ Tensione nominale _____ Tensione ad impulso _____ Grado di inquinamento _____</p> <p>Con grado di inquinamento 2 80A 400/690V 6kV 2</p> <p>Portata di corrente: Vedere pag. 00.36 "Caratteristiche elettriche"</p> <p>Tensione nominale secondo UL/CSA 600V Resistenza di isolamento $\geq 10^{10} \Omega$ Materiale Polycarbonate Limiti di temperature - 40 °C ... + 125 °C Autoestinguenza UL 94 V0 - GWT 960° Vita meccanica ≥ 500 cicli</p> <p>Contatti: Potenza / Segnale</p> <p>Materiale Lega di rame Finitura: Argentati Resistenza di contatto mΩ $\leq 0,3 / \leq 1,0$ Terminali a vite - mm² 1.5-16 / 0.5-2.5 - AWG 16 - 5 / 20 ÷ 14 - Coppia di serraggio 2,5 Nm / 0.5 Nm - Lunghezza spellatura 14mm / 7,0 mm - Viti in acciaio inox su richiesta</p> <p>Per fili flessibili</p> <p>Custodie suggerite: Sezioni 21,22,23,25,26,27,30</p> <p>Tipo: STD, HE, EMC, HP-HE</p> <p>Materiale Fusione di alluminio Superficie Verniciatura a polvere Sistema di chiusura Con leva metallica o viti Guarnizione NBR Limiti di temperature -40 °C ... + 125 °C Grado di protezione secondo EN 60529 connettori accoppiati IP66 o IP68 (HP-HE)</p> <p>Filettature: Metrica EN 50262 Pg DIN 40430</p> <p>Secondo la norma EN61984 i connettori non devono essere connessi e sconnessi sotto carico</p>

Screw terminal female inserts <i>Inserti femmina con terminali a vite</i>		UL/CSA : 600 V	No. of poles <i>No. poli</i>	Part No. <i>Codice</i>
<p>  </p> <p>  </p> <p> 80A contacts without wire protection 16A contacts with wire protection Contatti da 80A senza proteggi-filo Contatti da 16A con proteggi-filo </p>	<p> Contact arrangement View from termination side Disposizione contatti Vista lato terminazioni </p>    <p> Panel cut out for inserts For use without hood/housings Foratura di alloggiamento inserti Per uso senza custodie </p>		<p>4x80A 8x16A</p>	<p>7312.6043.0</p>
Screw terminal male inserts <i>Inserti maschio con terminali a vite</i>		UL/CSA : 600 V	No. of poles <i>No. poli</i>	Part No. <i>Codice</i>
<p>  </p> <p>  </p> <p> 80A contacts without wire protection 16A contacts with wire protection Contatti da 80A senza proteggi-filo Contatti da 16A con proteggi-filo </p>	<p> Contact arrangement View from termination side Disposizione contatti Vista lato terminazioni </p>    <p> Panel cut out for inserts For use without hood/housings Foratura di alloggiamento inserti Per uso senza custodie </p>		<p>4x80A 8x16A</p>	<p>7312.6143.0</p>
<p>Hood/housing size 24B «104x27» Custodie grandezza 24B «104x27»</p>	<p> Dimensions in mm Part No. bold letters refer to standard availability. Normal letters refer to items on special request. Dimensioni in mm I codici in grassetto indicano i prodotti di normale disponibilità. Il carattere normale indica i prodotti speciali su richiesta. </p>	<p> Accessories, cable glands and tools see sections 50, 55 e 60 Accessori, pressacavi ed attrezzi vedere sezioni 50, 55 e 60 </p>		

Technical characteristics	Caratteristiche tecniche
Specifications: EN 61984, EN 60664-1 UL 1977 CSA C22.2 No. 182.3	Norme di riferimento: EN 61984, EN 60664-1 UL 1977 CSA C22.2 No. 182.3
Approvals:  (UL) (pending)  	Approvazioni:  (UL) (in approvazione)  
Number of contacts 6 + 6 + Ⓢ	Numero dei contatti 6 + 6 + Ⓢ
Electrical data acc. to EN 61984	Caratteristiche elettriche secondo EN 61984
Power area: 100A 690V 8kV 3 	Area di potenza: 100A 690V 8kV 3 
Signal area: 16A 400V 6kV 3 	Area di segnale 16A 400V 6kV 3 
Current carrying capacity: Please refer to "Electrical engineering data" page 00.36	Portata di corrente: Vedere pag. 00.36 "Caratteristiche elettriche"
Working voltage acc. to UL/CSA 600V Insulation resistance $\geq 10^{10} \Omega$ Material Polycarbonate Limiting temperatures - 40 °C ... + 125 °C Flammability acc. to UL 94 V0 Mechanical working life ≥ 500 cycles	Tensione nominale secondo UL/CSA 600V Resistenza di isolamento $\geq 10^{10} \Omega$ Materiale Policarbonato Limiti di temperatura - 40 °C ... + 125 °C Autoestinguenza UL 94 V0 Vita meccanica ≥ 500 cicli
Contacts: Power / Signal Material Copper alloy Surface Silver or gold plated Contact resistance mΩ $\leq 0,3$ / ≤ 1 Crimp terminal turned - mm ² 16-35 / 0.14-4 - AWG 6 - 2 / 26 + 12	Contatti: Potenza / Segnale Materiale Lega di rame Finitura: Argentati o dorati Resistenza di contatto mΩ $\leq 0,3$ / ≤ 1 Terminali a crimpare torniti - mm ² 16-35 / 0.14-4 - AWG 6 - 2 / 26 + 12
For stranded wires	Per fili flessibili
Recommended enclosures: Section 21,22,23,25,26,27,30	Custodie suggerite: Sezioni 21,22,23,25,26,27,30
Type: STD, HE, EMC, HP-HE	Tipo: STD, HE, EMC, HP-HE
Material Die cast aluminium Surface Powder coated Locking element With metal lever or screws Hoods/Housings seal NBR Limiting temperatures -40 °C ... + 125 °C Degree of protection acc. to EN 60529 for coupled connector IP66 or IP68 (HP-HE)	Materiale Fusione di alluminio Superficie Verniciatura a polvere Sistema di chiusura Con leva metallica o viti Guarnizione NBR Limiti di temperatura -40 °C ... + 125 °C Grado di protezione secondo EN 60529 connettori accoppiati IP66 o IP68 (HP-HE)
Thread: Metric EN 50262 Pg DIN 40430	Filettature: Metrica EN 50262 Pg DIN 40430
<p style="color: red; text-align: center;">According to EN61984 connectors should not be coupled and decoupled under electrical load.</p>	<p style="color: red; text-align: center;">Secondo la norma EN61984 i connettori non devono essere connessi e sconnessi sotto carico</p>

Inserts for crimp contacts Inserti per contatti a crimpare	Size 24B, 6p + 6p + Ⓢ UL/CSA : 600/300 V	No. Poles Num. Poli	Part No. Codice
<p> Contact carrier for female contacts Inserto porta contatti per contatti femmina </p>  <p>    </p> <p> Female contacts 100A, 6 pcs, page 07.24 Female contacts 16A, 6 pcs, page 07.21 Please order contacts separately Contatti femmina 100A, 6 pz pag. 07.24 Contatti femmina 16A, 6 pz. pag. 07.21 Contatti da ordinare separatamente </p>	<p> Contact arrangement View from termination side Disposizione contatti Vista lato terminazioni </p>    <p> Panel cut out for inserts For use without hood/housing Foratura di alloggiamento inserti Per uso senza custodia </p>	<p> 6 x 100A 6 x 16A </p>	<p>7312.6046.0</p>
<p> Contact carrier for male contacts Inserto porta contatti per contatti maschio </p>  <p>    </p> <p> Male contacts 100A, 6 pcs, page 07.24 Male contacts 16A, 6 pcs, page 07.21 Please order contacts separately Contatti maschio 100A, 6 pz pag. 07.24 Contatti maschio 16A, 6 pz. pag. 07.21 Contatti da ordinare separatamente </p>	<p> Contact arrangement View from termination side Disposizione contatti Vista lato terminazioni </p>    <p> Panel cut out for inserts For use without hood/housing Foratura di alloggiamento inserti Per uso senza custodia </p>	<p> 6 x 100A 6 x 16A </p>	<p>7312.6146.0</p>
<p> Hood/housing size 24B «104x27» Custodie grandezza 24B«104x27» </p>	<p> Dimensions in mm. Part No. bold letters refer to standard availability. Normal letters refer to items on special request. Dimensioni in mm. I codici in grassetto indicano i prodotti di normale disponibilità. Il carattere normale indica i prodotti speciali su richiesta. </p>	<p> Accessories, cable glands and tools see sections 50, 55 e 60 Accessori, pressacavi ed attrezzi vedere sezioni 50, 55 e 60 </p>	


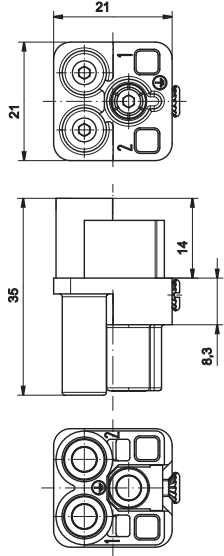
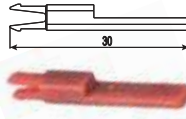

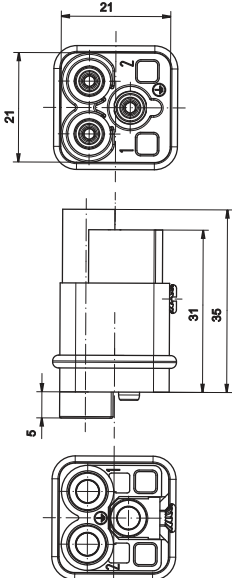
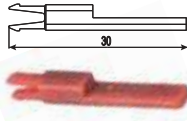
Technical characteristics
Caratteristiche tecniche


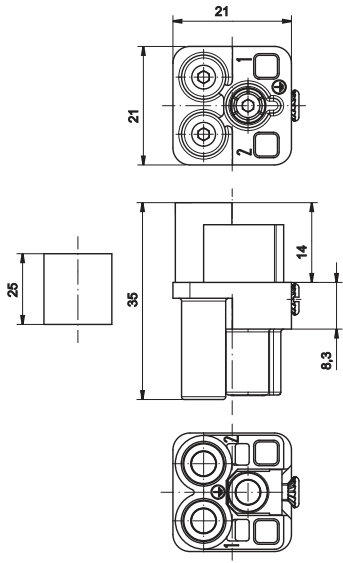

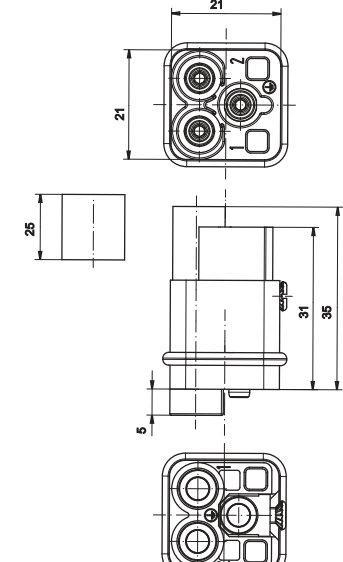
Specifications:	EN 61984, EN 60664.1 UL 1977 CSA C22.2 No. 182.3
Approvals:	(UL)
Number of contacts	2 + ⊕
Electrical data acc. to EN 61984	
With heat shrink sleeve	40A 830V 6kV 3
Working current _____	_____
Working voltage _____	_____
Rated impulse voltage _____	_____
Pollution degree _____	_____
or without shrink sleeve	40A 400V 6kV 3
Current carrying capacity:	Please refer to "Electrical engineering data" page 00.37
Working voltage acc. to UL/CSA	600V
Insulation resistance	≥ 10 ¹⁰ Ω
Material	Polycarbonate
Limiting temperatures	- 40 °C ... + 125 °C
Flammability	UL 94 V0
Mechanical working life	≥ 500 cycles
Contacts:	Turned axial screw type
Material	Copper alloy
Surface:	Silver plated
Contact resistance	≤ 1 mΩ
Wire size - mm ²	2,5 + 10
- AWG	14 - 7
Tightening torque	1,8 Nm
Stripping length	8 mm
For stranded wires	
Recommended enclosures:	See section 17
Hood/Housings insulated type:	
Material	Polyamide glass filled
Locking element	Polyamide glass filled
Flammability	UL94 V0 - GWT 960°
Hoods/Housings seal	NBR
Limiting temperatures	-40 °C ... + 125 °C
Degree of protection acc. to EN 60529 for coupled connector	IP66 / IP67
Thread	Metric EN 50262 Pg DIN 40430
Hoods/Housings metal:	
Type:	STD,HE,EMC,HP-HE,HP-EMC
Material	Die cast aluminium
Surface	Powder coated
Locking element	With metal lever or screws
Hoods/Housings seal	NBR
Limiting temperatures	-40 °C ... + 125 °C
Degree of protection acc. to EN 60529 for coupled connectors	IP66/IP67 or IP68(HP-HE, HP-EMC)
Thread	Metric EN 50262 Pg DIN 40430


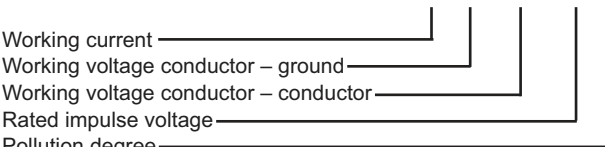

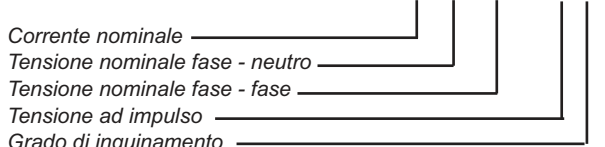
According to EN61984 connectors should not be coupled and decoupled under electrical load.



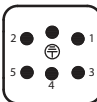
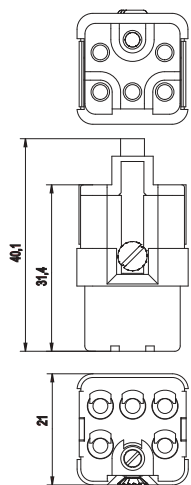
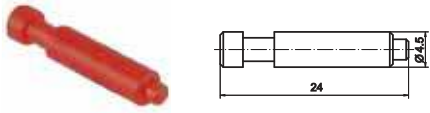


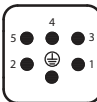
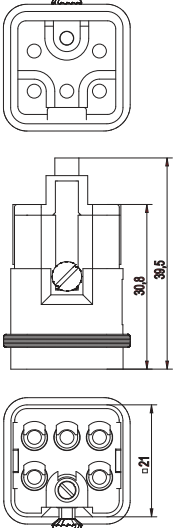
Norme di riferimento:	EN 61984, EN 60664.1 UL 1977 CSA C22.2 No. 182.3
Approvazioni:	(UL)
Numero dei contatti	2 + ⊕
Caratteristiche elettriche secondo EN 61984	
Con isolante termoretraibile	40A 830V 6kV 3
Corrente nominale _____	_____
Tensione nominale _____	_____
Tensione ad impulso _____	_____
Grado di inquinamento _____	_____
Senza isolante termoretraibile	40A 400V 6kV 3
Portata di corrente:	Vedere pagina 00.37 "caratteristiche elettriche"
Tensione nominale sec. UL/CSA	600V
Resistenza di isolamento	≥ 10 ¹⁰ Ω
Materiale	Polycarbonate
Limiti di temperature	- 40 °C ... + 125 °C
Autoestinguenza	UL 94 V0
Vita meccanica	≥ 500 cicli
Contatti:	Assiali a vite
Material	Lega di rame
Finitura:	Argentati
Resistenza di contatto	≤ 1 mΩ
Dimensioni del filo - mm ²	2,5 + 10
- AWG	14 - 7
Coppia di serraggio	1,8 Nm
Lunghezza spellatura	8 mm
Per fili flessibili	
Custodie suggerite:	Vedere sezione 17
Custodie tipo isolato:	
Material	Poliammide+vetro
Sistema di chiusura	Poliammide+vetro
Autoestinguenza	UL 94 V0 - GWT 960°
Guarnizioni	NBR
Limiti di temperature	40 °C ... + 125 °C
Grado di protezione secondo EN 60529 connettori accoppiati	IP66 / IP67
Fillettature	Metrica EN 50262 Pg DIN 40430
Custodie metalliche:	
Tipo:	STD,HE,EMC,HP-HE,HP-EMC
Material	Fusione di alluminio
Superficie	Verniciatura a polvere
Sistema di chiusura	Con leva metallica o viti
Guarnizione	NBR
Limiti di temperature	-40 °C ... + 125 °C
Grado di protezione secondo EN 60529 connettori accoppiati	IP66/IP67 o IP68(HP-HE, HP-EMC)
Fillettature	Metrica EN 50262 Pg DIN 40430

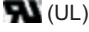


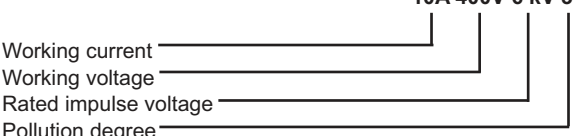
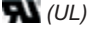


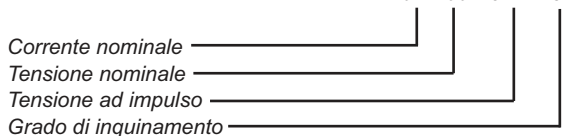
Secondo la norma EN61984 i connettori non devono essere connessi e sconnessi sotto carico



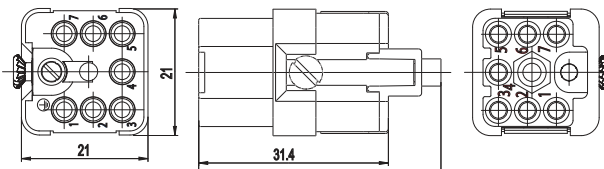

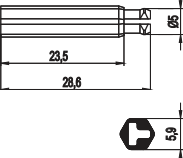


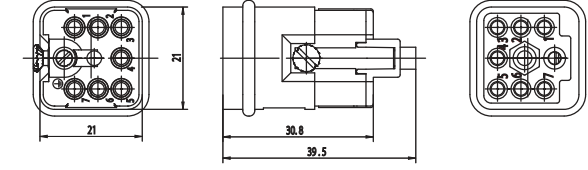

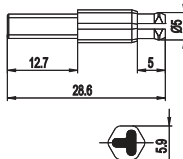
Screw axial terminal inserts <i>Inserti con terminali assiali a vite</i>	Size 3A «21x21», 2p + ⊕ UL/CSA : 600 V	Wire size Sezione filo	Part No. Codice
<p>Female insert <i>Inserto femmina</i></p>  <p>UL CE RoHS</p>	 <p>Polarization key <i>Chiave di polarizzazione</i> 2 pcs per insert 2 pz. per inserto</p>  <p>Hex key SW2 <i>Chiave di serraggio SW2</i></p>	<p>2.5 ÷ 6 mm² 14 - 10 AWG</p> <p>4 ÷ 10 mm² 12 - 7 AWG</p>	<p>7602.5816.0</p> <p>7602.5817.0</p> <p>7600.5820.0</p> <p>8500.3698.0</p>
<p>Male insert <i>Inserto maschio</i></p>  <p>UL CE RoHS</p> <p>- By using 3A HP-HE and 3A HP-EMC hood/housing the gasket on the male insert has to be removed. - Usando custodie 3A serie HP-HE e HP-EMC la guarnizione dell'inserto maschio deve essere rimossa</p>	 <p>Polarization key <i>Chiave di polarizzazione</i> 2 pcs per insert 2 pz. per inserto</p>  <p>Hex key SW2 <i>Chiave di serraggio SW2</i></p>	<p>2.5 ÷ 6 mm² 14 - 10 AWG</p> <p>4 ÷ 10 mm² 12 - 7 AWG</p>	<p>7602.5916.0</p> <p>7602.5917.0</p> <p>7600.5820.0</p> <p>8500.3698.0</p>
<p>Hood/housing size 3A «21x21» <i>Custodie grandezza 3A «21x21»</i></p>	<p>Dimensions in mm Part No. bold letters refer to standard availability. Normal letters refer to items on special request. <i>Dimensioni in mm I codici in grassetto indicano i prodotti di normale disponibilità. Il carattere normale indica i prodotti speciali su richiesta.</i></p>	<p>Accessories, cable glands and tools see sections 50, 55 e 60 <i>Accessori, pressacavi ed attrezzi vedere sezioni 50, 55 e 60</i></p>	

Screw axial terminal inserts <i>Inserti con terminali assiali a vite</i>	Size 3A «21x21», 2p + ⊕ UL/CSA : 600 V	Wire size Sezione filo	Part No. Codice
<p>Female insert <i>Inserto femmina</i></p>  <p>UL CE RoHS</p> <p>Insert 830V working voltage with insulating shrinking tube <i>Inserto tensione di lavoro 830V con tubo isolante termoretraibile</i></p>	 <p>Polarization key <i>Chiave di polarizzazione</i> 2 pcs per insert 2 pz. per inserto</p> <p>Hex key SW2 <i>Chiave di serraggio SW2</i></p>	<p>2.5 ÷ 6 mm² 14 - 10 AWG</p> <p>4 ÷ 10 mm² 12 - 7 AWG</p>	<p>7602.5818.0</p> <p>7602.5819.0</p> <p>7600.5820.0</p> <p>8500.3698.0</p>
<p>Male insert <i>Inserto maschio</i></p>  <p>UL CE RoHS</p> <p>Insert 830V working voltage with insulating shrinking tube - By using 3A HP-HE and 3A HP-EMC hood/ housing the gasket on the male insert has to be removed. <i>Inserto tensione di lavoro 830V con tubo isolante termoretraibile</i> - Usando custodie 3A serie HP-HE e HP-EMC la guarnizione dell'inserto maschio deve essere rimossa</p>	 <p>Polarization key <i>Chiave di polarizzazione</i> 2 pcs per insert 2 pz. per inserto</p> <p>Hex key SW2 <i>Chiave di serraggio SW2</i></p>	<p>2.5 ÷ 6 mm² 14 - 10 AWG</p> <p>4 ÷ 10 mm² 12 - 7 AWG</p>	<p>7602.5918.0</p> <p>7602.5919.0</p> <p>7600.5820.0</p> <p>8500.3698.0</p>
<p>Hood/housing size 3A «21x21» <i>Custodie grandezza 3A «21x21»</i></p>	<p>Dimensions in mm Part No. bold letters refer to standard availability. Normal letters refer to items on special request. <i>Dimensioni in mm I codici in grassetto indicano i prodotti di normale disponibilità. Il carattere normale indica i prodotti speciali su richiesta.</i></p>	<p>Accessories, cable glands and tools see sections 50, 55 e 60 <i>Accessori, pressacavi ed attrezzi vedere sezioni 50, 55 e 60</i></p>	




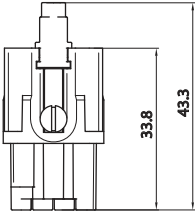
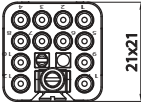
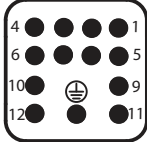

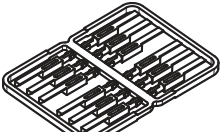
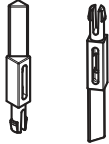



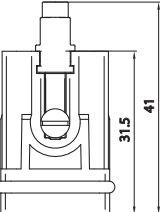
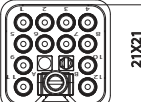
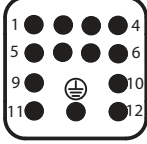
Technical characteristics	Caratteristiche tecniche
<p>Specifications: EN 61984, EN 60664.1 UL 1977 CSA C22.2 No. 182.3</p> <p>Approvals:  (UL, CSA)</p> <p>Number of contacts 5 + ⊕</p> <p>Electrical data acc. to EN 61984</p> <div style="text-align: right; margin-bottom: 5px;">16A 230/400V 4 kV 3</div>  <p>Pollution degree 2 also 16A 320/500V 4kV 2</p> <p>Current carrying capacity: Please refer to "Electrical engineering data" page 00.37</p> <p>Working voltage acc. to UL/CSA 600V Insulation resistance $\geq 10^{10} \Omega$ Material Polycarbonate Limiting temperatures -40 °C ... +125 °C Flammability UL 94 V0 - GWT 960° Mechanical working life ≥ 500 cycles</p> <p>Contacts crimp type: Turned Material Copper alloy Surface Silver plated or gold plated Contact resistance $\leq 1 \text{ m}\Omega$ Wire size - mm² 0.14+2.5 - AWG 26 - 14 Stripping length 7,5 mm</p> <p>Ground contact: Screw terminal Surface Silver plated Contact resistance $\leq 1 \text{ m}\Omega$ Wire size - mm² 0.5+2.5 - AWG 20 - 14 Tightening torque 0,25 Nm</p> <p>For solid or stranded wires</p> <p>Recommended enclosures: See section 17</p> <p>Hood/Housings Insulated type: Material Polyamide glass filled Locking element Polyamide glass filled Flammability UL94 V0 - GWT 960° Hoods/Housings seal NBR Limiting temperatures -40 °C ... +125 °C Degree of protection acc. to EN 60529 for coupled connector IP66/IP67 or IP68 (HP-HE) Thread Metric EN 50262 Pg DIN 40430</p> <p>Hoods/Housings metal:</p> <p>Type: STD,HE,EMC,HP-HE,HP-EMC</p> <p>Material Die cast aluminium Surface Powder coated Locking element With metal lever or screws Hoods/Housings seal NBR Limiting temperatures -40 °C ... +125 °C Degree of protection acc. to EN 60529 for coupled connectors IP66/IP67 or IP68(HP-HE, HP-EMC) Thread Metric EN 50262 Pg DIN 40430</p> <p style="color: red; text-align: center;">According to EN61984 connectors should not be coupled and decoupled under electrical load.</p>	<p>Norme di riferimento: EN 61984, EN 60664.1 UL 1977 CSA C22.2 No. 182.3</p> <p>Approvazioni:  (UL, CSA)</p> <p>Numero dei contatti 5 + ⊕</p> <p>Caratteristiche elettriche secondo EN 61984</p> <div style="text-align: right; margin-bottom: 5px;">16A 230/400V 4 kV 3</div>  <p>Con grado di inquinamento 2 16A 320/500V 4kV 2</p> <p>Portata di corrente: Vedere pag. 00.37 "caratteristiche elettriche"</p> <p>Tensione nominale sec. UL/CSA 600V Resistenza di isolamento $\geq 10^{10} \Omega$ Materiale Policarbonato Limiti di temperature -40 °C ... +125 °C Autoestinguenza UL 94 V0 - GWT 960° Vita meccanica ≥ 500 cicli</p> <p>Contatti a crimpare: Torniti Materiale Lega di rame Finitura Argentati o dorati Resistenza di contatto $\leq 1 \text{ m}\Omega$ Dimensioni del filo - mm² 0.14+2.5 - AWG 26 - 14 Lunghezza spellatura 7,5 mm</p> <p>Terminale di terra: Terminale a vite Finitura Argentato Resistenza di contatto $\leq 1 \text{ m}\Omega$ Dimensioni filo - mm² 0.5+2.5 - AWG 20 - 14 Coppia di serraggio 0,25 Nm</p> <p>Per fili rigidi o flessibili</p> <p>Custodie suggerite: Vedere sezione 17</p> <p>Custodie tipo isolato: Materiale Poliammide+vetro Sistema di chiusura Poliammide+vetro Autoestinguenza UL 94 V0 - GWT 960° Guarnizioni NBR Limiti di temperature 40 °C ... +125 °C Grado di protezione secondo EN 60529 connettori accoppiati IP66/IP67 o IP68 (HP-HE) Filettature Metrica EN 50262 Pg DIN 40430</p> <p>Custodie metalliche:</p> <p>Tipo: STD,HE,EMC,HP-HE,HP-EMC</p> <p>Materiale Fusione di alluminio Superficie Verniciatura a polvere Sistema di chiusura Con leva metallica o viti Guarnizione NBR Limiti di temperature -40 °C ... +125 °C Grado di protezione secondo EN 60529 connettori accoppiati IP66/IP67 o IP68(HP-HE, HP-EMC) Filettature Metrica EN 50262 Pg DIN 40430</p> <p style="color: red; text-align: center;">Secondo la norma EN61984 i connettori non devono essere connessi e sconnessi sotto carico</p>

Inserts for crimp contacts Inserti per contatti a crimpare	Size 3A «21x21», 5p + ⊕ UL/CSA : 600 V	Part No. Codice
<p>Contact carrier for female contacts Inserto porta contatti per contatti femmina</p>  <p>Female crimp contacts 16A, 5 pcs Please order separately, page 07.21</p> <p>Contatti femmina a crimpare 16A, 5 pz Da ordinare separatamente, pag. 07.21</p> 	<p>Contact arrangement View from termination side Disposizione contatti Vista lato terminazioni</p>   <p>Coding pin - Perno di codifica</p>  <p>Use of coding pin prevents incorrect mating to other connectors of the same type. The male pin should be omitted from the opposing cavity in the male insert.</p> <p><i>L'uso del perno di codifica previene errate connessioni con altri connettori dello stesso tipo. Il corrispondente contatto maschio non deve essere inserito nell'inserto maschio</i></p>	<p>7605.5801.0</p> <p>7000.6882.0</p>
<p>Contact carrier for male contacts Inserto porta contatti per contatti maschio</p>  <p>Male crimp contacts 16A, 5 pcs Please order separately, page 07.21 - By using 3A HP-HE and 3A HP-EMC hood/housing the gasket on the male insert has to be removed.</p> <p>Contatti maschio a crimpare 16A, 5 pz Da ordinare separatamente, pag. 07.21 - Usando custodie 3A serie HP-HE e HP-EMC la guarnizione dell'inserto maschio deve essere rimossa</p> 	<p>Contact arrangement View from termination side Disposizione contatti Vista lato terminazioni</p>  	<p>7605.5901.0</p>
<p>Hood/housing size 3A «21x21» Custodie grandezza 3A «21x21»</p>	<p>Dimensions in mm Part No. bold letters refer to standard availability. Normal letters refer to items on special request. Dimensioni in mm I codici in grassetto indicano i prodotti di normale disponibilità. Il carattere normale indica i prodotti speciali su richiesta.</p>	<p>Accessories, cable glands and tools see sections 50, 55 e 60 Accessori, pressacavi ed attrezzi vedere sezioni 50, 55 e 60</p>




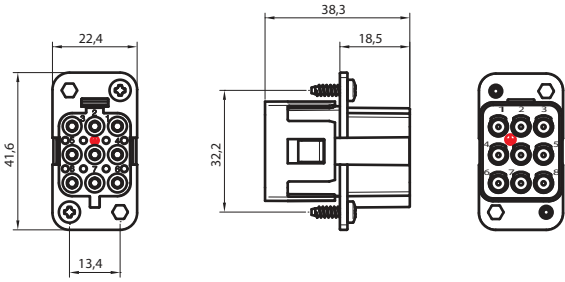
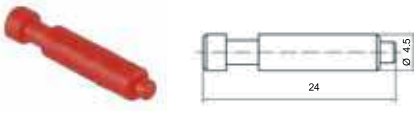



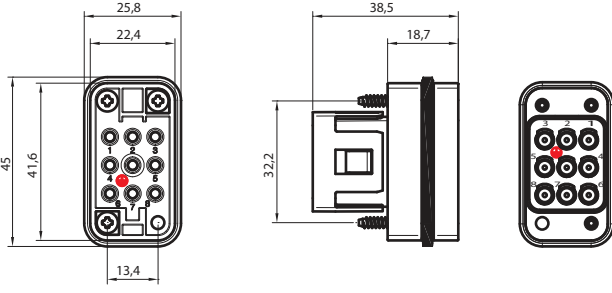
Technical characteristics	Caratteristiche tecniche
<p>Specifications: EN 61984, EN 60664.1 UL 1977 CSA C22.2 No. 182.3</p> <p>Approvals:  (UL)  </p> <p>Number of contacts 7 + ⊕</p> <p>Electrical data acc. to EN 61984</p> <div style="text-align: right; margin-bottom: 10px;">10A 400V 6 kV 3</div>  <p>Or 10A 400/690V 6kV 2</p> <p>Current carrying capacity: Please refer to "Electrical engineering data" page 00.37</p> <p>Working voltage acc. to UL/CSA 600V Insulation resistance $\geq 10^{10} \Omega$ Material Polycarbonate Limiting temperatures - 40 °C ... + 125 °C Flammability UL 94 V0 Mechanical working life ≥ 500 cycles</p> <p>Contacts crimp type: Turned Material Copper alloy Surface Silver or gold plated Contact resistance ≤ 3 mΩ Wire size - mm² 0.14+2.5 - AWG 26 - 14 Stripping length 7,5 mm</p> <p>Ground contact: Screw terminal Surface Silver plated Contact resistance ≤ 1 mΩ Wire size - mm² 0.5+2.5 - AWG 20 - 14 Tightening torque 0,25 Nm</p> <p>For solid or stranded wires</p> <p>Recommended enclosures: See section 17</p> <p>Hood/Housings insulated type: Material Polyamide glass filled Locking element Polyamide glass filled Flammability UL94 V0 - GWT 960° Hoods/Housings seal NBR Limiting temperatures -40 °C ... + 125 °C Degree of protection acc. to EN 60529 for coupled connector IP66 Thread Metric EN 50262 Pg DIN 40430</p> <p>Hoods/Housings metal:</p> <p>Type: STD,HE,EMC,HP-HE,HP-EMC</p> <p>Material Die cast aluminium Surface Powder coated Locking element With metal lever or screws Hoods/Housings seal NBR Limiting temperatures -40 °C ... + 125 °C Degree of protection acc. to EN 60529 for coupled connectors IP66/IP67 or IP68(HP-HE, HP-EMC) Thread Metric EN 50262 Pg DIN 40430</p> <p style="color: red; text-align: center;">According to EN61984 connectors should not be coupled and decoupled under electrical load.</p>	<p>Norme di riferimento: EN 61984, EN 60664.1 UL 1977 CSA C22.2 No. 182.3</p> <p>Approvazioni:  (UL)  </p> <p>Numero dei contatti 7 + ⊕</p> <p>Caratteristiche elettriche secondo EN 61984</p> <div style="text-align: right; margin-bottom: 10px;">10A 400V 6 kV 3</div>  <p>Oppure 10A 400/690V 6kV 2</p> <p>Portata di corrente: Vedere pag. 00.37 "caratteristiche elettriche"</p> <p>Tensione nominale sec. UL/CSA 600V Resistenza di isolamento $\geq 10^{10} \Omega$ Materiale Policarbonato Limiti di temperatura - 40 °C ... + 125 °C Autoestinguenza UL 94 V0 Vita meccanica ≥ 500 cicli</p> <p>Contatti a crimpare: Torniti Materiale Lega di rame Finitura Argentati o dorati Resistenza di contatto ≤ 3 mΩ Dimensioni del filo - mm² 0.14+2.5 - AWG 26 - 14 Lunghezza spellatura 7,5 mm</p> <p>Terminale di terra: Terminale a vite Finitura Argentato Resistenza di contatto ≤ 1 mΩ Dimensioni filo - mm² 0.5+2.5 - AWG 20 - 14 Coppia di serraggio 0,25 Nm</p> <p>Per fili rigidi o flessibili</p> <p>Custodie suggerite: Vedere sezione 17</p> <p>Custodie tipo isolato: Materiale Poliammide+vetro Sistema di chiusura Poliammide+vetro Autoestinguenza UL 94 V0 - GWT 960° Guarnizioni NBR Limiti di temperatura -40 °C ... + 125 °C Grado di protezione secondo EN 60529 connettori accoppiati IP66 Filettature Metrica EN 50262 Pg DIN 40430</p> <p>Custodie metalliche:</p> <p>Tipo: STD,HE,EMC,HP-HE,HP-EMC</p> <p>Materiale Fusione di alluminio Superficie Verniciatura a polvere Sistema di chiusura Con leva metallica o viti Guarnizione NBR Limiti di temperatura -40 °C ... + 125 °C Grado di protezione secondo EN 60529 connettori accoppiati IP66/IP67 o IP68(HP-HE, HP-EMC) Filettature Metrica EN 50262 Pg DIN 40430</p> <p style="color: red; text-align: center;">Secondo la norma EN61984 i connettori non devono essere connessi e sconnessi sotto carico</p>

Inserts for crimp contacts Inserti per contatti a crimpare	Size 3A «21x21», 7p + ⊕	UL/CSA : 600 V	Part No. Codice
<p>Contact carrier for female contacts Inserto porta contatti per contatti femmina</p>  	<p>Contact arrangement View from termination side Disposizione contatti Vista lato terminazioni</p> 		7607.5802.0
<p></p> <p>Female crimp contacts 10A, 7 pcs Please order separately, page 07.19</p> <p>Contatti femmina a crimpare 10A, 7 pz Da ordinare separatamente, pag. 07.19</p>	<p>Polarization key for female inserts To be ordered separately Chiave di polarizzazione per inserti femmina Da ordinare separatamente</p> <p>The polarization key can be assembled into the insert in 6 different positions La chiave di polarizzazione può essere inserita nell'inserto in 6 posizioni differenti</p> 		7000.6887.0
<p>Contact carrier for male contacts Inserto porta contatti per contatti maschio</p>  	<p>Contact arrangement View from termination side Disposizione contatti Vista lato terminazioni</p> 		7607.5902.0
<p></p> <p>Male crimp contacts 10A, 7 pcs Please order separately, page 07.19</p> <p>- By using 3A HP-HE and 3A HP-EMC hood/ housing the gasket on the male insert has to be removed. Contatti maschio a crimpare 10A, 7 pz Da ordinare separatamente, pag. 07.19</p> <p>- Usando custodie 3A serie HP-HE e HP-EMC la guarnizione dell'inserto maschio deve essere rimossa</p>	<p>Polarization key for male inserts To be ordered separately Chiave di polarizzazione per inserti maschio Da ordinare separatamente</p> <p>The polarization key can be assembled into the insert in 6 different positions La chiave di polarizzazione può essere inserita nell'inserto in 6 posizioni differenti</p> 		7000.6888.0
<p>Hood/housing size 3A «21x21» Custodie grandezza 3A «21x21»</p>	<p>Dimensions in mm Part No. bold letters refer to standard availability. Normal letters refer to items on special request. Dimensioni in mm I codici in grassetto indicano i prodotti di normale disponibilità. Il carattere normale indica i prodotti speciali su richiesta.</p>	<p>Accessories, cable glands and tools see sections 50, 55 e 60 Accessori, pressacavi ed attrezzi vedere sezioni 50, 55 e 60</p>	



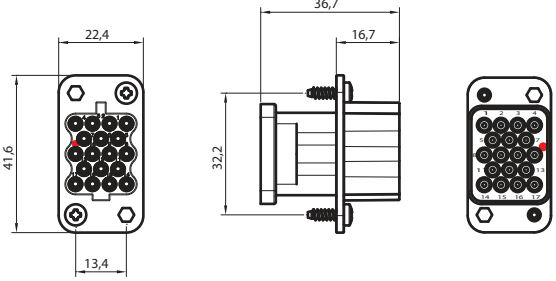



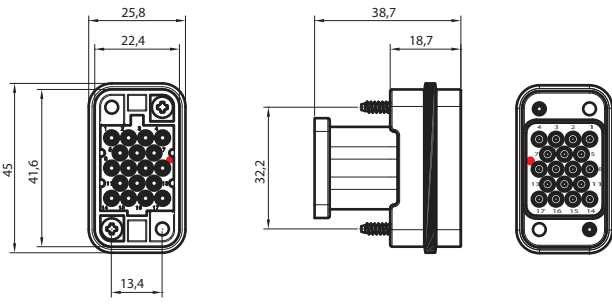
Technical characteristics	Caratteristiche tecniche
<p>Specifications: EN 61984, EN 60664.1 UL 1977 CSA C22.2 No. 182.3</p> <p>Approvals: (UL, CSA) </p> <p>Number of contacts 12 + ⊕</p> <p>Electrical data acc. to EN 61984 10A 400V 6 kV 3 Working current _____ Working voltage _____ Rated impulse voltage _____ Pollution degree _____</p> <p>Pollution degree 2 also 10A 400/690V 6kV 2</p> <p>Current carrying capacity: Please refer to “Electrical engineering data” page 00.38 Working voltage acc. to UL/CSA 600V Insulation resistance $\geq 10^{10} \Omega$ Material Polycarbonate Limiting temperatures - 40 °C ... + 125 °C Flammability UL 94 V0 - GWT 960° Mechanical working life ≥ 500 cycles</p> <p>Contacts: Turned or stamped Material Copper alloy Surface: Silver or gold plated Contact resistance $\leq 3 \text{ m}\Omega$ Crimp terminal Wire size - mm² 0.14+2.5 - AWG 26 - 14</p> <p>Ground terminal: Screw terminal Surface Silver plated Contact resistance $\leq 3 \text{ m}\Omega$ Wire size - mm² 0.5+2.5 - AWG 20 - 14 Tightening torque 0,25 Nm</p> <p>For solid or stranded wires</p> <p>Recommended enclosures: See section 17</p> <p>Hood/Housings insulated type: Material Polyamide glass filled Locking element Polyamide glass filled Flammability UL94 V0 - GWT 960° Hoods/Housings seal NBR Limiting temperatures -40 °C ... + 125 °C Degree of protection acc. to EN 60529 for coupled connector IP66 / IP67 Thread Metric EN 50262 Pg DIN 40430</p> <p>Hoods/Housings metal: Type: STD,HE,EMC,HP-HE,HP-EMC Material Die cast aluminium Surface Powder coated Locking element With metal lever or screws Hoods/Housings seal NBR Limiting temperatures -40 °C ... + 125 °C EN 60529 for coupled connectors IP66/IP67 or IP68(HP-HE, HP-EMC) Thread Metric EN 50262 Pg DIN 40430</p>	<p>Norme di riferimento: EN 61984, EN 60664.1 UL 1977 CSA C22.2 No. 182.3</p> <p>Approvazioni: (UL, CSA) </p> <p>Numero dei contatti 12 + ⊕</p> <p>Caratteristiche elettriche sec. EN 61984 10A 400V 6 kV 3 Corrente nominale _____ Tensione nominale _____ Tensione ad impulso _____ Grado di inquinamento _____</p> <p>Con grado di inquinamento 2 10A 400/690V 6kV 2</p> <p>Portata di corrente: Vedere pag.00.38 “caratteristiche elettriche” Tensione nominale sec.UL/CSA 600V Resistenza di isolamento $\geq 10^{10} \Omega$ Materiale Policarbonato Limiti di temperature - 40 °C ... + 125 °C Autoestinguenza UL 94 V0 - GWT 960° Vita meccanica ≥ 500 cicli</p> <p>Contatti: Torniti o stampati Materiale Lega di rame Finitura: Argentati o dorati Resistenza di contatto $\leq 3 \text{ m}\Omega$ Terminali a crimpare Dimensioni del filo - mm² 0.14+2.5 - AWG 26 - 14</p> <p>Terminale di terra: Terminale a vite Finitura Argentato Resistenza di contatto $\leq 3 \text{ m}\Omega$ Dimensioni filo - mm² 0.5+2.5 - AWG 20 - 14 Coppia di serraggio 0,25 Nm</p> <p>Per fili rigidi o flessibili</p> <p>Custodie suggerite: Vedere sezione 17</p> <p>Custodie tipo isolato: Materiale Poliammide+vetro Sistema di chiusura Poliammide+vetro Autoestinguenza UL 94 V0 - GWT 960° Guarnizioni NBR Limiti di temperature 40 °C ... + 125 °C Grado di protezione secondo EN 60529 connettori accoppiati IP66 / IP67 Filettature Metrica EN 50262 Pg DIN 40430</p> <p>Custodie metalliche: Tipo: STD,HE,EMC,HP-HE,HP-EMC Materiale Fusione di alluminio Superficie Verniciatura a polvere Sistema di chiusura Con leva metallica o viti Guarnizione NBR Limiti di temperature -40 °C ... + 125 °C Grado di protezione secondo EN 60529 connettori accoppiati IP66/IP67 o IP68(HP-HE, HP-EMC) Filettature Metrica EN 50262 Pg DIN 40430</p>
<p>According to EN61984 connectors should not be coupled and decoupled under electrical load.</p>	<p>Secondo la norma EN61984 i connettori non devono essere connessi e sconnessi sotto carico</p>

Inserts for crimp contacts Inserti per contatti a crimpare	Size 3A, 12p + ⊕ UL/CSA : 600 V	Part No. Codice
<p> Contact carrier for female turned contacts for wires 0,14-2,5mm² (26-14 AWG) and stamped contacts for wires 0,14-1,5mm² (26-16 AWG) Insetto porta contatti per contatti femmina torniti per fili 0,14-2,5mm² (26-14 AWG) e contatti stampati per fili 0,14-1,5mm² (26-16 AWG) </p>  <p>  </p> <p> Space saving and compact design Design compatto, riduzione degli ingombri Female crimp contacts 10A, 12 pcs Please order separately, page 07.19, 07.20 Contatti Femmina a crimpare 10A, 12 pz Da ordinare separatamente, pag. 07.19, 07.20 </p>	   <p> Contact arrangement View from termination side Disposizione contatti Vista lato terminazioni </p>  <p> Each polarization key, 2 pcs for each insert, can be assembled in 4 different positions for 16 total combinations. Ciascuna chiave di polarizzazione, 2 pz. per inserto, può essere inserita in 4 posizioni differenti per un totale di 16 combinazioni. </p>	<p> Female insert Insetto femmina </p> <p>7612.5805.0</p>
	<p>Polarization key S-Q 12 serie - Chiave di polarizzazione serie S-Q 12</p>   <p> Strip 12 pcs Striscia con 12 pezzi </p> <p> For male and female inserts Per inserti maschio e femmina </p>	<p>7000.6883.0</p> <p> Polarization Key strip with 12 pcs Chiave di polarizzazione striscia con 12 pz. </p>
<p> Contact carrier for male turned contacts for wires 0,14-2,5mm² (26-14 AWG) and stamped contacts for wires 0,14-1,5mm² (26-16 AWG) Insetto porta contatti per contatti maschio torniti per fili 0,14-2,5mm² (26-14 AWG) e contatti stampati per fili 0,14-1,5mm² (26-16 AWG) </p>  <p>  </p> <p> Male crimp contacts 10A, 12 pcs Please order separately, page 07.19, 07.20 - By using 3A HP-HE and 3A HP-EMC hood/ housing the gasket on the male insert has be removed. Contatti maschio a crimpare 10A, 12 pz Da ordinare separatamente, pag. 07.19, 07.20 - Usando custodie 3A serie HP-HE e HP-EMC la guarnizione dell'inserto maschio deve essere rimossa </p>	   <p> Contact arrangement View from termination side Disposizione contatti Vista lato terminazioni </p>  <p> Each polarization key, 2 pcs for each insert, can be assembled in 4 different positions for 16 total combinations. Ciascuna chiave di polarizzazione, 2 pz. per inserto, può essere inserita in 4 posizioni differenti per un totale di 16 combinazioni. </p>	<p> Male insert Insetto Maschio </p> <p>7612.5905.0</p>
<p> Hood/housing size 3A «21x21» Custodie grandezza 3A «21x21» </p>	<p> Dimensions in mm Part No. bold letters refer to standard availability. Normal letters refer to items on special request. Dimensioni in mm I codici in grassetto indicano i prodotti di normale disponibilità. Il carattere normale indica i prodotti speciali su richiesta. </p>	<p> Accessories, cable glands and tools see sections 50, 55 e 60 Accessori, pressacavi ed attrezzi vedere sezioni 50, 55 e 60 </p>

Technical characteristics	Caratteristiche tecniche
<p>Specifications: EN 61984, EN 60664.1 UL 1977 CSA C22.2 No. 182.3 Desina® ISO 23570-3</p> <p>Approvals: (UL, CSA) </p> <p>Number of contacts 8 + ⊕</p> <p>Electrical data acc. to EN 61984 16A 500V 6 kV 3 With thermoplastic enclosures Working current _____ Working voltage conductor _____ Rated impulse voltage _____ Pollution degree _____ or With thermoplastic enclosures 16A 400/690V 6kV 2 With metal enclosures 16A 230/400V 4kV 3</p> <p>Current carrying capacity: Please refer to "Electrical engineering data" page 00.38 Working voltage acc. to UL/CSA 600V Insulation resistance $\geq 10^{10} \Omega$ Material Polycarbonate Limiting temperatures -40 °C ... +125 °C Flammability UL 94 V0 - GWT 960° Mechanical working life ≥ 500 cycles</p> <p>Contacts: Turned Material Copper alloy Surface: Silver or gold plated Contact resistance $\leq 1 \text{ m} \Omega$ Crimp terminal Wire size - mm² 0.14+4 - AWG 26 - 12 Stripping length 7,5 mm</p> <p>For solid or stranded wires</p> <p>Recommended enclosures: See section 18</p> <p>Hood/Housings insulated type: Material Polyamide glass filled Locking element Polyamide glass filled Flammability UL94 V0 - GWT 960° Hoods/Housings seal NBR Limiting temperatures -40 °C ... +125 °C Degree of protection acc. to EN 60529 for coupled connector IP66 Cable glands M25 x 1,5, Pg16</p> <p>Hoods/Housings metal:</p> <p>Type: STD, HE, EMC Material Die cast aluminium Surface Powder coated Locking element With metal monoblock lever Hoods/Housings seal NBR Limiting temperatures -40 °C ... +125 °C Degree of protection acc. to EN 60529 for coupled connectors IP66 Thread Metric EN 50262 Pg DIN 40430</p> <p>According to EN61984 connectors should not be coupled and decoupled under electrical load.</p>	<p>Norme di riferimento: EN 61984, EN 60664.1 UL 1977 CSA C22.2 No. 182.3 Desina® ISO 23570-1</p> <p>Approvazioni: (UL, CSA) </p> <p>Numero dei contatti 8 + ⊕</p> <p>Caratteristiche elettriche secondo EN 61984 16A 500V 6 kV 3 Con custodie termoplastiche Corrente nominale _____ Tensione nominale fase _____ Tensione ad impulso _____ Grado di inquinamento _____ Oppure Con custodie termoplastiche 16A 400/690V 6kV 2 Con custodie metalliche 16A 230/400V 4kV 3</p> <p>Portata di corrente: Vedere pag. 00.38 "caratteristiche elettriche" Tensione nominale sec. UL/CSA 600V Resistenza di isolamento $\geq 10^{10} \Omega$ Materiale Polycarbonate Limiti di temperature -40 °C ... +125 °C Autoestinguenza UL 94 V0 - GWT 960° Vita meccanica ≥ 500 cicli</p> <p>Contatti: Torniti Materiale Lega di rame Finitura: Argentati o dorati Resistenza di contatto $\leq 1 \text{ m} \Omega$ Terminali a crimpare Dimensioni del filo - mm² 0.14+4 - AWG 26 - 12 Lunghezza spellatura 7,5 mm</p> <p>Per fili rigidi o flessibili</p> <p>Custodie suggerite: Vedere sezione 18</p> <p>Custodie tipo isolato: Materiale Poliammide+vetro Sistema di chiusura Poliammide+vetro Autoestinguenza UL 94 V0 - GWT 960° Guarnizioni NBR Limiti di temperature 40 °C ... +125 °C Grado di protezione secondo EN 60529 connettori accoppiati IP66 Pressacavi M25 x 1,5, Pg16</p> <p>Custodie metalliche:</p> <p>Tipo: STD, HE, EMC Materiale Fusione di alluminio Superficie Verniciatura a polvere Sistema di chiusura Con leva metallica monoblocco Guarnizione NBR Limiti di temperature -40 °C ... +125 °C Grado di protezione secondo EN 60529 connettori accoppiati IP66 Filettature Metrica EN 50262 Pg DIN 40430</p> <p>Secondo la norma EN61984 i connettori non devono essere connessi e sconnessi sotto carico</p>

Inserts for crimp contacts <i>Inserti per contatti a crimpare</i>	Size «32x13», 8p + ⊕	UL/CSA : 600 V Part No. Codice
<p> Contact carrier for female contacts <i>Inserto porta contatti per contatti femmina</i> </p>   <p> In accordance with: DESINA specifications Secondo: ISO 23270-3 standard </p>  <p> Space saving and compact design <i>Design compatto, riduzione degli ingombri</i> Female crimp contacts 16A, 9 pcs Please order separately, page 07.21 Contatti femmina a crimpare 16A, 9 pz Da ordinare separatamente, pag. 07.21 </p>	 <p> Coding pin - <i>Perno di codifica</i> </p>  <p> Use of coding pin prevents incorrect mating to other connectors of the same type. The male pin should be omitted from the opposing cavity in the male insert. L'uso del perno di codifica previene errate connessioni con altri connettori dello stesso tipo. Il corrispondente contatto maschio non deve essere inserito nell'inserto maschio </p>	<p>7608.5807.0</p> <p>7000.6882.0</p>
<p> Contact carrier for male contacts <i>Inserto porta contatti per contatti maschio</i> </p>   <p> In accordance with: DESINA specifications Secondo: ISO 23270-3 standard </p>  <p> Space saving and compact design <i>Design compatto, riduzione degli ingombri</i> Male crimp contacts 16A, 9 pcs Please order separately, page 07.21 Contatti maschio a crimpare 16A, 9 pz Da ordinare separatamente, pag. 07.21 </p>		<p>7608.5907.0</p>
<p> Hood/housing size «32x13» Custodie grandezza «32x13» </p>	<p> Dimensions in mm Part No. bold letters refer to standard availability. Normal letters refer to items on special request. Dimensioni in mm I codici in grassetto indicano i prodotti di normale disponibilità. Il carattere normale indica i prodotti speciali su richiesta. </p>	<p> Accessories, cable glands and tools see sections 50, 55 e 60 Accessori, pressacavi ed attrezzi vedere sezioni 50, 55 e 60 </p>


Technical characteristics	Caratteristiche tecniche
Specifications: EN 61984, EN 60664.1 UL 1977 CSA C22.2 No. 182.3	Norme di riferimento: EN 61984, EN 60664.1 UL 1977 CSA C22.2 No. 182.3
Approvals: (UL, CSA) 	Approvazioni: (UL, CSA)
Number of contacts 17 + Ⓢ	Numero dei contatti 17 + Ⓢ
Electrical data acc. to EN 61984 <div style="text-align: right; margin-right: 50px;">10A 250V 4kV 2</div>	Caratteristiche elettriche secondo EN 61984 <div style="text-align: right; margin-right: 50px;">10A 250V 4kV 2</div>
Current carrying capacity: Please refer to "Electrical engineering data" page 00.39.	Portata di corrente: Vedere pag. 00.39 "Caratteristiche elettriche"
Working voltage acc. to UL/CSA 250V Insulation resistance $\geq 10^{10} \Omega$ Material Polycarbonate Limiting temperatures -40 °C ... +125 °C Flammability acc. to UL94 V0 - GWT 960° Mechanical working life ≥ 500 cycles	Tensione nominale sec. UL/CSA 250V Resistenza di isolamento $\geq 10^{10} \Omega$ Materiale Policarbonato Limiti di temperatura -40 °C ... +125 °C Autoestinguenza UL94 V0 - GWT 960° Vita meccanica ≥ 500 cicli
Contacts: Turned or stamped Material Copper alloy Surface Silver or gold plated Contact resistance $\leq 3 \text{ m} \Omega$ Crimp terminal ₂ - mm 0.14+2,5 - AWG 26 - 14	Contatti: Torniti o stampati Materiale Lega di rame Finitura: Argentati o dorati Resistenza di contatto $\leq 3 \text{ m} \Omega$ Terminali a crimpare - mm 0.14+2,5 - AWG 26 - 14
For solid or stranded wires Recommended enclosures: See section 18	Per fili rigidi o flessibili Custodie suggerite: Vedere sezione 18
Hood/Housings insulated type: Material Polyamide glass filled Locking element Polyamide glass filled Flammability UL94 V0 - GWT 960° Hoods/Housings seal NBR Limiting temperatures -40 °C ... +125 °C Degree of protection acc. to EN 60529 for coupled connector IP66 Cable glands M25 x 1,5, Pg16	Custodie tipo isolato: Materiale Poliammide+vetro Sistema di chiusura Poliammide+vetro Autoestinguenza UL 94 V0 - GWT 960° Guarnizioni NBR Limiti di temperatura 40 °C ... +125 °C Grado di protezione secondo EN 60529 connettori accoppiati IP66 Pressacavi M25 x 1,5, Pg16
Hoods/Housings metal: Type: STD, HE, EMC Material Die cast aluminium Surface Powder coated Locking element With metal monoblock lever Hoods/Housings seal NBR Limiting temperatures -40 °C ... +125 °C Degree of protection acc. to EN 60529 for coupled connectors IP66 Thread Metric EN 50262 Pg DIN 40430	Custodie metalliche: Tipo: STD, HE, EMC Materiale Fusione di alluminio Superficie Verniciatura a polvere Sistema di chiusura Con leva metallica monoblocco Guarnizione NBR Limiti di temperatura -40 °C ... +125 °C Grado di protezione secondo EN 60529 connettori accoppiati IP66 Filettature Metrica EN 50262 Pg DIN 40430
<p style="color: red; text-align: center;">According to EN61984 connectors should not be coupled and decoupled under electrical load.</p>	<p style="color: red; text-align: center;">Secondo la norma EN61984 i connettori non devono essere connessi e sconnessi sotto carico</p>

Inserts for crimp contacts Inserti per contatti a crimpare	Size «32x13», 17 P + ⊕	UL/CSA : 600 V Part No. Codice
<p> Contact carrier for female turned contacts for wires 0,14-2,5mm² (26-14 AWG) and stamped contacts for wires 0,14-1,5mm² (26-16 AWG) Insetto porta contatti per contatti femmina torniti per fili 0,14-2,5mm² (26-14 AWG) e contatti stampati per fili 0,14-1,5mm² (26-16 AWG) </p>  <p>  Space saving and compact design Design compatto, riduzione degli ingombri </p> <p> Female crimp contacts 10A, 18 pcs Please order separately, page 07.19, 07.20 </p> <p> Contatti femmina a crimpare 10A, 18 pz Da ordinare separatamente, pag. 07.19, 07.20 </p>	 <p>Coding pin - Perno di codifica</p>  <p> Use of coding pin prevents incorrect mating to other connectors of the same type. The male pin should be omitted from the opposing cavity in the male insert. L'uso del perno di codifica previene errate connessioni con altri connettori dello stesso tipo. Il corrispondente contatto maschio non deve essere inserito nell'insetto maschio </p>	<p>7617.5811.0</p> <p>7000.6881.0</p>
<p> Contact carrier for male turned contacts for wires 0,14-2,5mm² (26-14 AWG) and stamped contacts for wires 0,14-1,5mm² (26-16 AWG) Insetto porta contatti per contatti maschio torniti per fili 0,14-2,5mm² (26-14 AWG) e contatti stampati per fili 0,14-1,5mm² (26-16 AWG) </p>  <p>  Space saving and compact design Design compatto, riduzione degli ingombri </p> <p> Male crimp contacts 10A, 18 pcs Please order separately, page 07.19, 07.20 </p> <p> Contatti maschio a crimpare 10A, 18 pz Da ordinare separatamente, pag. 07.19, 07.20 </p>		<p>7617.5911.0</p>
<p>Hood/housing size «32x13» Custodie grandezza «32x13»</p>	<p> Dimensions in mm Part No. bold letters refer to standard availability. Normal letters refer to items on special request. Dimensioni in mm I codici in grassetto indicano i prodotti di normale disponibilità. Il carattere normale indica i prodotti speciali su richiesta. </p>	<p> Accessories, cable glands and tools see sections 50, 55 e 60 Accessori, pressacavi ed attrezzi vedere sezioni 50, 55 e 60 </p>

Technical characteristics

Caratteristiche tecniche

Specifications: EN 61984, EN 60664.1
UL 1977
CSA C22.2 No. 182.3
Desina® ISO 23570-3

Approvals:  (UL, CSA)

Number of contacts 4x40A, 2x10A + ⚡

Electrical data acc. to EN 61984

Power area **40A 400/690V 6kV 3**

Working current _____
Working voltage _____
Rated impulse voltage _____
Pollution degree _____

Signal area **10A 250V 6kV 3**

Current carrying capacity: Please refer to “Electrical engineering data” page 00.39

Working voltage acc. to UL/CSA 600V/250V
Insulation resistance $\geq 10^{10} \Omega$
Material Polycarbonate
Limiting temperatures - 40 °C ... + 125 °C
Flammability acc. to UL94 V0 - GWT 960°
Mechanical working life ≥ 500 cycles

Contacts turned: **Power/signal**

Material Copper alloy
Surface Silver or gold plated
Contact resistance $\leq 0,3 \text{ m}\Omega / \leq 3 \text{ m}\Omega$
Crimp terminal turned: See page 07.19 and 07.22
- mm 1,5+6,0 / 0,14+2,5
- AWG 16 - 10 / 26 - 14

For solid or stranded wires

Recommended enclosures: See section 18

Hood/Housings insulated type:


Material Polyamide glass filled
Locking element Polyamide glass filled
Flammability UL94 V0 - GWT 960°
Hoods/Housings seal NBR
Limiting temperatures -40 °C ... + 125 °C
Degree of protection acc. to EN 60 529 for coupled connector IP66
Thread M25 x 1,5, Pg16

Hoods/Housings metal:

Type: **STD, HE, EMC**

Material Die cast aluminium
Surface Powder coated
Locking element With metal monoblock lever
Hoods/Housings seal NBR
Limiting temperatures -40 °C ... + 125 °C
Degree of protection acc. to EN 60529 for coupled connectors IP66
Thread Metric EN 50262
Pg DIN 40430

Norme di riferimento: EN 61984, EN 60664.1
UL 1977
CSA C22.2 No. 182.3
Desina® ISO 23570-1

Approvazioni:  (UL, CSA)

Numero dei contatti 4x40A, 2x10A + ⚡

Caratteristiche elettriche secondo EN 61984

Area di potenza **40A 400/690V 6kV 3**

Corrente nominale _____
Tensione nominale _____
Tensione ad impulso _____
Grado di inquinamento _____

Area di segnale **10A 250V 6kV 3**

Portata di corrente: Vedere pag. 00.39
“Caratteristiche elettriche”

Tensione nominale sec. UL/CSA 600V/250V
Resistenza di isolamento $\geq 10^{10} \Omega$
Materiale Polycarbonate
Limiti di temperature - 40 °C ... + 125 °C
Autoestinguenza UL94 V0 - GWT 960°
Vita meccanica ≥ 500 cicli

Contatti torniti: **Potenza/segnale**

Materiale Lega di rame
Finitura: Argentati o dorati
Resistenza di contatto $\leq 0,3 \text{ m}\Omega / \leq 3 \text{ m}\Omega$
Terminali a crimpare torniti: Ved. pag. 07.19 e 07.22
- mm 1,5+6,0 / 0,14+2,5
- AWG 16 - 10 / 26 - 14

Per fili rigidi o flessibili

Custodie suggerite: Vedere sezione 18

Custodie tipo isolato:

Materiale Poliammide+vetro
Sistema di chiusura Poliammide+vetro
Autoestinguenza UL 94 V0 - GWT 960°
Guarnizioni NBR
Limiti di temperature 40 °C ... + 125 °C
Grado di protezione secondo EN 60529 connettori accoppiati IP66
Filettature M25 x 1,5, Pg16







Custodie metalliche:

Tipo: **STD, HE, EMC**

Materiale Fusione di alluminio
Superficie Verniciatura a polvere
Sistema di chiusura Con leva metallica monoblocco
Guarnizione NBR
Limiti di temperature -40 °C ... + 125 °C
Grado di protezione secondo EN 60529 connettori accoppiati IP66
Filettature Metrica EN 50262
Pg DIN 40430


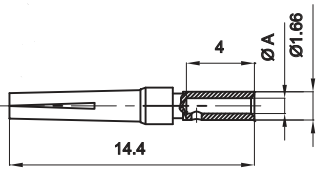

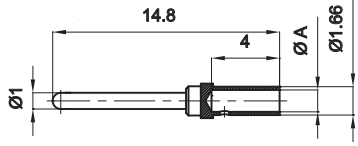
According to EN61984 connectors should not be coupled and decoupled under electrical load.


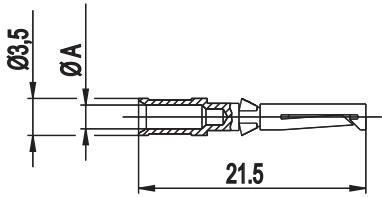

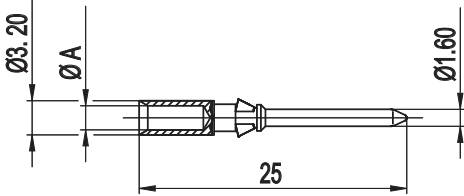
Secondo la norma EN61984 i connettori non devono essere connessi e sconnessi sotto carico


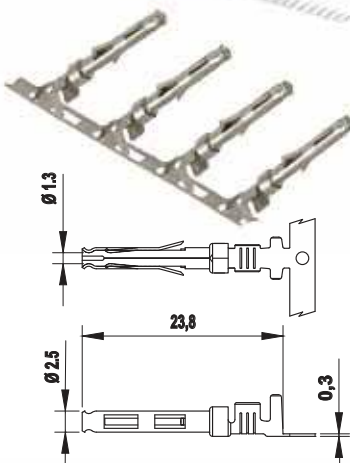
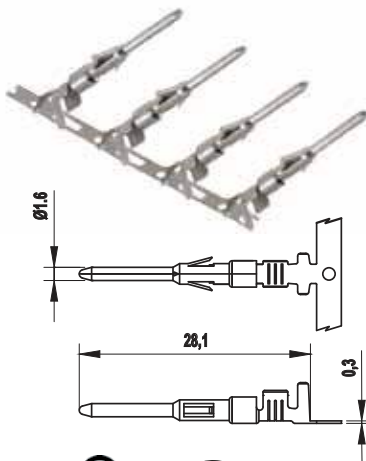

Inserts for crimp contacts Inserti per contatti a crimpare	Size «32x13», 4px40A + 2px10A + \oplus	Part No. Codice
<p>Contact carrier for female contacts Inserto porta contatti per contatti femmina</p>   <p>In accordance with: DESINA specifications Secondo: ISO 23270-3 standard</p>  <p>Female crimp contacts 40A, 4 pcs + 10A, 2 pcs Please order separately, page 07.19, 07.22 Contatti femmina a crimpare 40A, 4 pz + 10A, 2pz Da ordinare separatamente, pag. 07.19, 07.22</p>	<p>Space saving and compact design Design compatto, riduzione degli ingombri</p>	<p>7606.5815.0</p>
<p>Contact carrier for male contacts Inserto porta contatti per contatti maschio</p>   <p>In accordance with: DESINA specifications Secondo: ISO 23270-3 standard</p>  <p>Male crimp contacts 40A, 4 pcs + 10A, 2 pcs Please order separately, page 07.19, 07.22 Contatti maschio a crimpare 40A, 4 pz + 10A, 2pz Da ordinare separatamente, pag. 07.19, 07.22</p>	<p>Space saving and compact design Design compatto, riduzione degli ingombri</p>	<p>7606.5915.0</p>
<p>Hood/housing size «32x13» Custodie grandezza «32x13»</p>	<p>Dimensions in mm Part No. bold letters refer to standard availability. Normal letters refer to items on special request. Dimensioni in mm I codici in grassetto indicano i prodotti di normale disponibilità. Il carattere normale indica i prodotti speciali su richiesta.</p>	<p>Accessories, cable glands and tools see sections 50, 55 e 60 Accessori, pressacavi ed attrezzi vedere sezioni 50, 55 e 60</p>


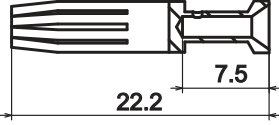

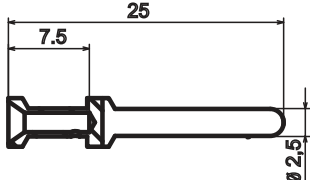



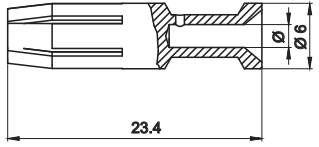

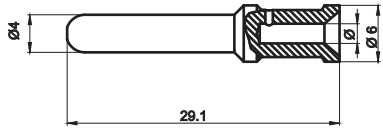
Contents - Sommario	Pages-Pagine
- Contents <i>Sommario</i>	07.17
- D-SUB 5A turned crimp contacts for inserts and modules <i>Contatti a crimpare D-SUB da 5A per inserti e moduli</i>	07.18
- 10A turned crimp contacts for inserts and modules <i>Contatti a crimpare da 10A torniti per inserti e moduli</i>	07.19
- 10A stamped crimp contacts for inserts and modules <i>Contatti a crimpare da 10A stampati per inserti e moduli</i>	07.20
- 16A turned crimp contacts for inserts and modules <i>Contatti a crimpare da 16A torniti per inserti e moduli</i>	07.21
- 40A turned crimp contacts for inserts and modules <i>Contatti a crimpare da 40A torniti per inserti e moduli</i>	07.22
- 70A turned crimp contacts for inserts and modules <i>Contatti a crimpare da 70A torniti per inserti e moduli</i>	07.23
- 100A turned crimp contacts for inserts and modules <i>Contatti a crimpare da 100A torniti per inserti e moduli</i>	07.24
- 200A turned crimp contacts for inserts and modules <i>Contatti a crimpare da 200A torniti per inserti e moduli</i>	07.25

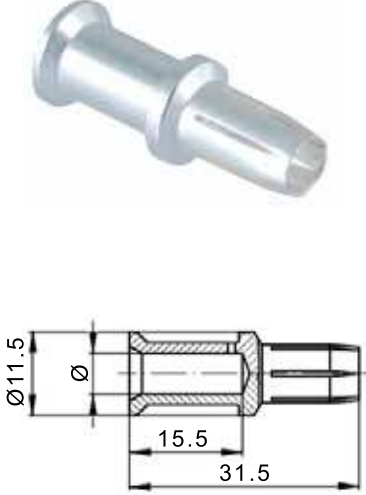
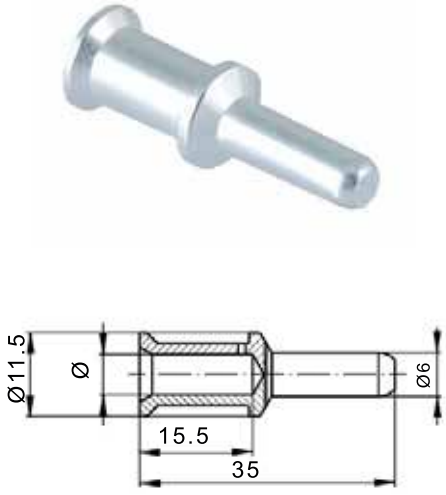
Female turned crimp contacts Contatti femmina a crimpare torniti		M/F	Stripping length Spellatura filo	Ø A mm	Wire mm ² Filo mm ²	Wire gauge Calibro filo	Part.No.-Codice Gold plated Dorati
  Material : <i>Materiale:</i> Copper alloy - <i>Lega di rame</i> Surface: <i>Finitura:</i> Gold plated - <i>Dorati</i>	F	mm 4	0.64	0,08 - 0,20	28-24 AWG	7700.3436.1	
	F	4	0.90	0,14 - 0,35	26-22 AWG	7700.3437.1	
	F	4	1.12	0,35 - 0,50	22-20 AWG	7700.3438.1	
	For the best performance and the lowest contact resistance, Molex recommends the use of manual tools, die sets and machines illustrated in the section 60 of this catalogue <i>Per le migliori caratteristiche e la minima resistenza di contatto, si raccomanda l'utilizzo delle pinze manuali, gli applicatori e le macchine illustrate nella sezione 60 di questo catalogo</i>						
Male turned crimp contacts Contatti maschio a crimpare torniti		M/F	Stripping length Spellatura filo	Ø A mm	Wire mm ² Filo mm ²	Wire gauge Calibro filo	Part.No.-Codice Gold plated Dorati
  Material : <i>Materiale:</i> Copper alloy - <i>Lega di rame</i> Surface: <i>Finitura:</i> Gold plated - <i>Dorati</i>	M	mm 4	0.64	0,08 - 0,20	28-24 AWG	7700.3440.1	
	M	4	0.90	0,14 - 0,35	26-22 AWG	7700.3441.1	
	M	4	1.12	0,35 - 0,50	22-20 AWG	7700.3442.1	
	For the best performance and the lowest contact resistance, Molex recommends the use of manual tools, die sets and machines illustrated in the section 60 of this catalogue <i>Per le migliori caratteristiche e la minima resistenza di contatto, si raccomanda l'utilizzo delle pinze manuali, gli applicatori e le macchine illustrate nella sezione 60 di questo catalogo</i>						
For inserts series: Per inserti serie: S-CX, S-M		Dimensions in mm Part No. bold letters refer to standard availability. Normal letters refer to items on special request. <i>Dimensioni in mm I codici in grassetto indicano i prodotti di normale disponibilità. Il carattere normale indica i prodotti speciali su richiesta.</i>				Crimping tools: see section 60 <i>Attrezzi per crimpare: vedere sezione 60</i>	

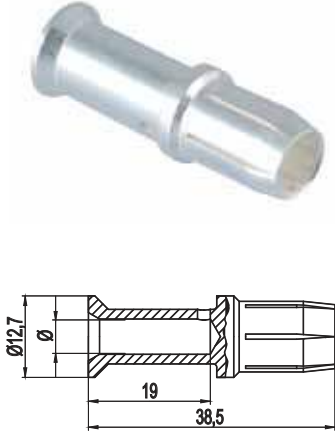
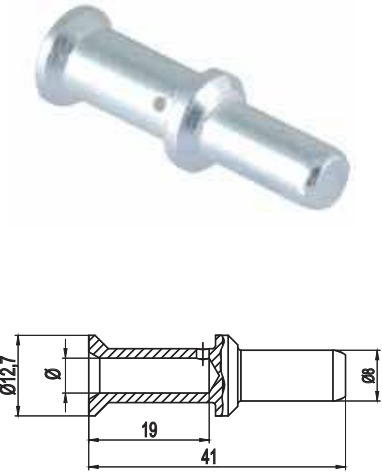
Female turned crimp contacts <i>Contatti femmina a crimpare torniti</i>	Stripping length <i>Spellatura filo</i>	Ø A <i>mm</i>	Wire mm ² <i>Filo mm²</i>	Wire gauge <i>Calibro filo</i>	Part No.- Codice	
					Silver plated <i>Argentati</i>	Gold plated <i>Dorati</i>
  <ul style="list-style-type: none"> - Material: Copper alloy <i>Materiale: Lega di rame</i> - Surface: Hard silver or hard gold <i>Finitura: Argentati o dorati</i> 	mm					
	8	0,90	0.14 - 0.37	26-22 AWG	7100.4201.0	7100.4201.1
	8	1,10	0.5	20 AWG	7100.4202.0	7100.4202.1
	8	1,30	0.75	18 AWG	7100.4203.0	7100.4203.1
	8	1,45	1.0	18 AWG	7100.4204.0	7100.4204.1
	8	1,75	1.5	16 AWG	7100.4205.0	7100.4205.1
	6	2,25	2.5	14 AWG	7100.4206.0	7100.4206.1
<p>For the best performance and the lowest contact resistance, Molex recommends the use of manual tools, die sets and machines illustrated in the section 60 of this catalogue</p> <p><i>Per le migliori caratteristiche e la minima resistenza di contatto, si raccomanda l'utilizzo delle pinze manuali, gli applicatori e le macchine illustrate nella sezione 60 di questo catalogo</i></p>						
Male turned crimp contacts <i>Contatti maschio a crimpare torniti</i>	Stripping length <i>Spellatura filo</i>	Ø A <i>mm</i>	Wire mm ² <i>Filo mm²</i>	Wire gauge <i>Calibro filo</i>	Part No.- Codice	
  <ul style="list-style-type: none"> - Material: Copper alloy <i>Materiale: Lega di rame</i> - Surface: Hard silver or hard gold <i>Finitura: Argentati o dorati</i> 	mm					
	8	0,90	0.14 - 0.37	26-22 AWG	7100.4211.0	7100.4211.1
	8	1,10	0.5	20 AWG	7100.4212.0	7100.4212.1
	8	1,30	0.75	18 AWG	7100.4213.0	7100.4213.1
	8	1,45	1.0	18 AWG	7100.4214.0	7100.4214.1
	8	1,75	1.5	16 AWG	7100.4215.0	7100.4215.1
	6	2,25	2.5	14 AWG	7100.4216.0	7100.4216.1
<p>For the best performance and the lowest contact resistance, Molex recommends the use of manual tools, die sets and machines illustrated in the section 60 of this catalogue</p> <p><i>Per le migliori caratteristiche e la minima resistenza di contatto, si raccomanda l'utilizzo delle pinze manuali, gli applicatori e le macchine illustrate nella sezione 60 di questo catalogo</i></p>						
For inserts series: <i>Per inserti serie:</i> S-D, S-DD, S-K, S-Q, S-QD, S-M	Dimensions in mm Part No. bold letters refer to standard availability. Normal letters refer to items on special request. <i>Dimensioni in mm I codici in grassetto indicano i prodotti di normale disponibilità. Il carattere normale indica i prodotti speciali su richiesta.</i>				Crimping tools: see section 60 <i>Attrezzi per crimpare: vedere sezione 60</i>	

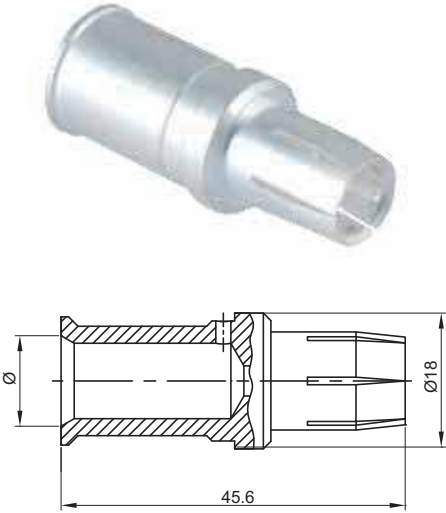
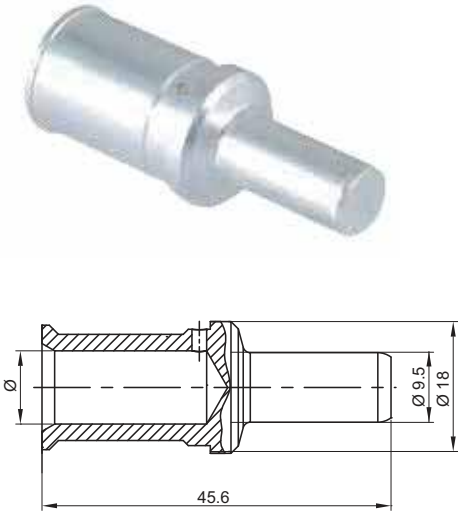
Stamped crimp contacts Contatti a crimpare, stampati	Packing Imballo	Type Tipo	Wire mm ² Filo mm ²	Wire gauge Calibro filo	Female Part No.- Codice cont. femmina			
					Silver plated Argentati	Tin plated Stagnati	Gold plated Dorati	
   <p>  </p> <p>Type:</p> <ul style="list-style-type: none"> - A: Single contact - B: On reel dia 200 mm - C: On reel dia 500 mm - A: Contatto singolo - B: In bobina dia 200 mm - C: In bobina dia 500 mm - Material: Phosphor bronze - Surface: Silver or gold or tin plated - Stripping length 3,2 mm - Materiale: Bronzo fosforoso - Finitura: Argentati, dorati o stagnati - Lung. spellatura 3,2 mm 	100	A female	0.14 - 0.75	26-18 AWG	7100.4031.0	7100.4031.2	7100.4031.1	
	400	B female	0.14 - 0.75	26-18 AWG	7100.4032.0	7100.4032.2	7100.4032.1	
	2000	C female	0.14 - 0.75	26-18 AWG	7100.4033.0	7100.4033.2	7100.4033.1	
	100	A female	0.75 - 2.5	18-14 AWG	7100.4037.0	7100.4037.2	7100.4037.1	
	400	B female	0.75 - 2.5	18-14 AWG	7100.4038.0	7100.4038.2	7100.4038.1	
	2000	C female	0.75 - 2.5	18-14 AWG	7100.4039.0	7100.4039.2	7100.4039.1	
	<p>- For the best performance and the lowest contact resistance, Molex recommends the use of manual tools, die sets and machines illustrated in the section 60 of this catalogue</p> <p>- For S-Q12 and S-Q17 inserts with wire 0,14-1,5mm² (26-16 AWG)</p> <p>- For stranded wires only</p> <p>- Low insertion force</p> <p>- Per le migliori caratteristiche e la minima resistenza di contatto, si raccomanda l'utilizzo delle pinze manuali, gli applicatori e le macchine illustrate nella sezione 60 di questo catalogo</p> <p>- Per inserti S-Q12 e S-Q17 con fili 0,14-1,5 mm² (26-16 AWG)</p> <p>- Solo per fili flessibili</p> <p>- Bassa forza di inserzione</p>							
	Packing Imballo	Type Tipo	Wire mm ² Filo mm ²	Wire gauge Calibro filo	Male Part No.- Codice cont. maschio			
					Silver plated Argentati	Tin plated Stagnati	Gold plated Dorati	
	100	A male	0.14 - 0.75	26-18 AWG	7100.4071.0	7100.4071.2	7100.4071.1	
	400	B male	0.14 - 0.75	26-18 AWG	7100.4072.0	7100.4072.2	7100.4072.1	
	2000	C male	0.14 - 0.75	26-18 AWG	7100.4073.0	7100.4073.2	7100.4073.1	
100	A male	0.75 - 2.5	18-14 AWG	7100.4077.0	7100.4077.2	7100.4077.1		
400	B male	0.75 - 2.5	18-14 AWG	7100.4078.0	7100.4078.2	7100.4078.1		
2000	C male	0.75 - 2.5	18-14 AWG	7100.4079.0	7100.4079.2	7100.4079.1		
<p>- For the best performance and the lowest contact resistance, Molex recommends the use of manual tools, die sets and machines illustrated in the section 60 of this catalogue</p> <p>- For S-Q12 and S-Q17 inserts with wire 0,14-1,5mm² (26-16 AWG)</p> <p>- For stranded wires only</p> <p>- Low insertion force</p> <p>- Per le migliori caratteristiche e la minima resistenza di contatto, si raccomanda l'utilizzo delle pinze manuali, gli applicatori e le macchine illustrate nella sezione 60 di questo catalogo</p> <p>- Per inserti S-Q12 e S-Q17 con fili 0,14-1,5 mm² (26-16 AWG)</p> <p>- Solo per fili flessibili</p> <p>- Bassa forza di inserzione</p>								
For inserts series: Per inserti serie: S-D, S-K, S-Q, S-QD, S-M		Dimensions in mm Part No. bold letters refer to standard availability. Normal letters refer to items on special request. Dimensioni in mm I codici in grassetto indicano i prodotti di normale disponibilità. Il carattere normale indica i prodotti speciali su richiesta.				Crimping tools: see section 60 Attrezzi per crimpare: vedere sezione 60		

Female turned crimp contacts Contatti femmina a crimpare torniti	No. of grooves Num. gole	Wire mm ² Filo mm ²	Wire gauge Calibro filo	Part No.- Codice		
				Silver plated Argentati	Gold plated Dorati	
  <p> <ul style="list-style-type: none"> - Material: Copper alloy - <i>Materiale:</i> Lega di rame - Surface: Silver or gold plated - <i>Finitura:</i> Argentati o dorati - Stripping length: 7,5 mm - <i>Lunghezza di spellatura:</i> 7,5 mm - Identification: By grooves - <i>Identificazione:</i> Tramite gole </p>	0	0.14 - 0.37	26-22 AWG	7300.6240.0	7300.6240.1	
	0	0.5	20 AWG	7300.6241.0	7300.6241.1	
	1	0.75	18 AWG	7300.6239.0	7300.6239.1	
	1	1.0	18 AWG	7300.6242.0	7300.6242.1	
	2	1.5	16 AWG	7300.6243.0	7300.6243.1	
	3	2.5	14 AWG	7300.6244.0	7300.6244.1	
	1 Wide	3.0	12 AWG	7300.6238.0	7300.6238.1	
	0	4.0	12 AWG	7300.6245.0	7300.6245.1	
	<p>For the best performance and the lowest contact resistance, Molex recommends the use of manual tools, die sets and machines illustrated in the section 60 of this catalogue</p> <p><i>Per le migliori caratteristiche e la minima resistenza di contatto, si raccomanda l'utilizzo delle pinze manuali, gli applicatori e le macchine illustrate nella sezione 60 di questo catalogo</i></p>					
	Male turned crimp contacts Contatti maschio a crimpare torniti	No. of grooves Num. gole	Wire mm ² Filo mm ²	Wire gauge Calibro filo	Part No.- Codice	
  <p> <ul style="list-style-type: none"> - Material: Copper alloy - <i>Materiale:</i> Lega di rame - Surface: Silver or gold plated - <i>Finitura:</i> Argentati o dorati - Stripping length: 7,5 mm - <i>Lunghezza di spellatura:</i> 7,5 mm - Identification: By grooves - <i>Identificazione:</i> Tramite gole </p>	0	0.14 - 0.37	26-22 AWG	7300.6237.0	7300.6237.1	
	0	0.5	20 AWG	7300.6246.0	7300.6246.1	
	1	0.75	18 AWG	7300.6236.0	7300.6236.1	
	1	1.0	18 AWG	7300.6247.0	7300.6247.1	
	2	1.5	16 AWG	7300.6248.0	7300.6248.1	
	3	2.5	14 AWG	7300.6249.0	7300.6249.1	
	1 Wide	3.0	12 AWG	7300.6235.0	7300.6235.1	
	0	4.0	12 AWG	7300.6250.0	7300.6250.1	
	<p>For the best performance and the lowest contact resistance, Molex recommends the use of manual tools, die sets and machines illustrated in the section 60 of this catalogue</p> <p><i>Per le migliori caratteristiche e la minima resistenza di contatto, si raccomanda l'utilizzo delle pinze manuali, gli applicatori e le macchine illustrate nella sezione 60 di questo catalogo</i></p>					
	For inserts series: <i>Per inserti serie:</i> S-A, S-E, S-EE, S-EEE, S-K S-EHV, S-Q, S-QD, S-M	Dimensions in mm Part No. bold letters refer to standard availability. Normal letters refer to items on special request. <i>Dimensioni in mm I codici in grassetto indicano i prodotti di normale disponibilità. Il carattere normale indica i prodotti speciali su richiesta.</i>			Crimping tools: see section 60 <i>Attrezzi per crimpare: vedere sezione 60</i>	

Female turned crimp contacts <i>Contatti femmina a crimpare torniti</i>	Stripping length <i>Spellatura filo mm²</i>	Ø <i>mm</i>	Wire mm ² <i>Filo mm²</i>	Wire gauge <i>Misura filo</i>	Part No. <i>Codice</i>	Part No. <i>Codice</i>
					Silver plated <i>Argentati</i>	Gold plated <i>Dorati</i>
  <p> - Material: Copper alloy <i>Materiale: Lega di rame</i> - Surface: Silver or gold plated <i>Finitura: Argentati o dorati</i> </p>	9	1,75	1,5	16 AWG	7600.5700.0	7600.5700.1
	9	2,25	2.5	14 AWG	7600.5701.0	7600.5701.1
	9,6	2,85	4.0	12 AWG	7600.5702.0	7600.5702.1
	9,6	3,5	6.0	10 AWG	7600.5703.0	7600.5703.1
	15	4,3	10.0	7 AWG	7600.5704.0	7600.5704.1
<p>For stranded wires according to IEC 60228 class 5 <i>Per conduttori flessibili secondo IEC 60228 classe 5</i></p> <p>For the best performance and the lowest contact resistance, Molex recommends the use of manual tools, die sets and machines illustrated in the section 60 of this catalogue <i>Per le migliori caratteristiche e la minima resistenza di contatto, si raccomanda l'utilizzo delle pinze manuali, gli applicatori e le macchine illustrate nella sezione 60 di questo catalogo</i></p>						
Male turned crimp contacts <i>Contatti maschio a crimpare torniti</i>	Stripping length <i>Spellatura filo mm²</i>	Ø <i>mm</i>	Wire mm ² <i>Filo mm²</i>	Wire gauge <i>Misura filo</i>	Part No. <i>Codice</i>	Part No. <i>Codice</i>
  <p> - Material: Copper alloy <i>Materiale: Lega di rame</i> - Surface: Silver or gold plated <i>Finitura: Argentati o dorati</i> </p>	9	1,75	1,5	16 AWG	7600.5710.0	7600.5710.1
	9	2,25	2.5	14 AWG	7600.5711.0	7600.5711.1
	9,6	2,85	4.0	12 AWG	7600.5712.0	7600.5712.1
	9,6	3,5	6.0	10 AWG	7600.5713.0	7600.5713.1
	15	4,3	10.0	7 AWG	7600.5714.0	7600.5714.1
<p>For stranded wires according to IEC 60228 class 5 <i>Per conduttori flessibili secondo IEC 60228 classe 5</i></p> <p>For the best performance and the lowest contact resistance, Molex recommends the use of manual tools, die sets and machines illustrated in the section 60 of this catalogue <i>Per le migliori caratteristiche e la minima resistenza di contatto, si raccomanda l'utilizzo delle pinze manuali, gli applicatori e le macchine illustrate nella sezione 60 di questo catalogo</i></p>						
For inserts series: Per inserti serie: S-K, S-Q, S-QD, S-M	Dimensions in mm Part No. bold letters refer to standard availability. Normal letters refer to items on special request. <i>Dimensioni in mm I codici in grassetto indicano i prodotti di normale disponibilità. Il carattere normale indica i prodotti speciali su richiesta.</i>				Crimping tools: see section 60 <i>Attrezzi per crimpare: vedere sezione 60</i>	

Female turned crimp contacts <i>Contatti femmina a crimpare torniti</i>	Ø mm	Stripping length <i>Spellatura filo</i>	Wire mm ² <i>Filo mm²</i>	Wire gauge <i>Calibro filo</i>	Part No. <i>Codice</i>
 <p> - Material: Copper alloy <i>Materiale: Lega di rame</i> - Surface: Silver plated <i>Finitura: Argentati</i> </p>	4,3 5,5 7	15 15 15	10 16 25	7 AWG 5 AWG 4 AWG	7700.3184.0 7700.3185.0 7700.3186.0
For stranded wires according to IEC 60228 class 5 <i>Per conduttori flessibili secondo IEC 60228 classe 5</i>					
For the best performance and the lowest contact resistance, Molex recommends the use of manual tools, die sets and machines illustrated in the section 60 of this catalogue <i>Per le migliori caratteristiche e la minima resistenza di contatto, si raccomanda l'utilizzo delle pinze manuali, gli applicatori e le macchine illustrate nella sezione 60 di questo catalogo</i>					
Male turned crimp contacts <i>Contatti maschio a crimpare torniti</i>	Ø mm	Stripping length <i>Spellatura filo</i>	Wire mm ² <i>Filo mm²</i>	Wire gauge <i>Calibro filo</i>	Part No. <i>Codice</i>
 <p> - Material: Copper alloy <i>Materiale: Lega di rame</i> - Surface: Silver plated <i>Finitura: Argentati</i> </p>	4,3 5,5 7	15 15 15	10 16 25	7 AWG 5 AWG 4 AWG	7700.3188.0 7700.3189.0 7700.3190.0
For stranded wires according to IEC 60228 class 5 <i>Per conduttori flessibili secondo IEC 60228 classe 5</i>					
For the best performance and the lowest contact resistance, Molex recommends the use of manual tools, die sets and machines illustrated in the section 60 of this catalogue <i>Per le migliori caratteristiche e la minima resistenza di contatto, si raccomanda l'utilizzo delle pinze manuali, gli applicatori e le macchine illustrate nella sezione 60 di questo catalogo</i>					
For inserts series: <i>Per inserti serie:</i> S-M	Dimensions in mm Part No. bold letters refer to standard availability. Normal letters refer to items on special request. Dimensioni in mm I codici in grassetto indicano i prodotti di normale disponibilità. Il carattere normale indica i prodotti speciali su richiesta.			Crimping tools: see section 60 <i>Attrezzi per crimpare: vedere sezione 60</i>	


Female turned crimp contacts Contatti femmina a crimpare torniti	Ø mm	Stripping length Spellatura filo	Wire mm ² Filo mm ²	Wire gauge Calibro filo	Part No. Codice
 <p> - Material: Copper alloy Materiale: Lega di rame - Surface: Silver plated Finitura: Argentati </p>	4,3 5,5 7 8,2	19 19 19 16	10 16 25 35	7 AWG 5 AWG 4 AWG 2 AWG	7700.3131.0 7700.3132.0 7700.3133.0 7700.3134.0
For stranded wires according to IEC 60228 class 5 Per conduttori flessibili secondo IEC 60228 classe 5					
For the best performance and the lowest contact resistance, Molex recommends the use of manual tools, die sets and machines illustrated in the section 60 of this catalogue Per le migliori caratteristiche e la minima resistenza di contatto, si raccomanda l'utilizzo delle pinze manuali, gli applicatori e le macchine illustrate nella sezione 60 di questo catalogo					
Male turned crimp contacts Contatti maschio a crimpare torniti	Ø mm	Stripping length Spellatura filo	Wire mm ² Filo mm ²	Wire gauge Calibro filo	Part No. Codice
 <p> - Material: Copper alloy Materiale: Lega di rame - Surface: Silver plated Finitura: Argentati </p>	4,3 5,5 7 8,2	19 19 19 16	10 16 25 35	7 AWG 5 AWG 4 AWG 2 AWG	7700.3135.0 7700.3136.0 7700.3137.0 7700.3138.0
For stranded wires according to IEC 60228 class 5 Per conduttori flessibili secondo IEC 60228 classe 5					
For the best performance and the lowest contact resistance, Molex recommends the use of manual tools, die sets and machines illustrated in the section 60 of this catalogue Per le migliori caratteristiche e la minima resistenza di contatto, si raccomanda l'utilizzo delle pinze manuali, gli applicatori e le macchine illustrate nella sezione 60 di questo catalogo					
For inserts series: <i>Per inserti serie:</i> S-K, S-M	Dimensions in mm Part No. bold letters refer to standard availability. Normal letters refer to items on special request. Dimensioni in mm I codici in grassetto indicano i prodotti di normale disponibilità. Il carattere normale indica i prodotti speciali su richiesta.				Crimping tools: see section 60 Attrezzi per crimpare: vedere sezione 60

Female turned crimp contacts Contatti femmina a crimpare torniti	Ø mm	Stripping length Spellatura filo	Wire mm² Filo mm²	Wire gauge Calibro filo	Part No. Codice
 <p> UL CE RoHS </p> <ul style="list-style-type: none"> - Material: Copper alloy - Materiale: Lega di rame - Surface: Silver plated - Finitura: Argentati 	5,5	19	16	5 AWG	7700.3065.0
	7	19	25	4 AWG	7700.3066.0
	8,2	20	35	2 AWG	7700.3067.0
	10	22,5	50	0 AWG	7700.3068.0
	11,5	22,5	70	00 AWG	7700.3069.0
Male turned crimp contacts Contatti maschio a crimpare torniti	Ø mm	Stripping length Spellatura filo	Wire mm² Filo mm²	Wire gauge Calibro filo	Part No. Codice
 <p> UL CE RoHS </p> <ul style="list-style-type: none"> - Material: Copper alloy - Materiale: Lega di rame - Surface: Silver plated - Finitura: Argentati 	5,5	19	16	5 AWG	7700.3071.0
	7	19	25	4 AWG	7700.3072.0
	8,2	20	35	2 AWG	7700.3073.0
	10	22,5	50	0 AWG	7700.3074.0
	11,5	22,5	70	00 AWG	7700.3075.0
For inserts - Per inserti: S-K, S-M	Dimensions in mm Part No. bold letters refer to standard availability. Normal letters refer to items on special request. Dimensioni in mm I codici in grassetto indicano i prodotti di normale disponibilità. Il carattere normale indica i prodotti speciali su richiesta.			Crimping tools: see section 60 Attrezzi per crimpare: vedere sezione 60	



Technical characteristics	Caratteristiche tecniche
---------------------------	--------------------------

Specifications: EN 61984, EN 60664.1
 UL 1977
 CSA C22.2 No. 182.3

Approvals:  (UL, CSA)

Number of contacts of inserts 24, 42, 72, 108 + \oplus

Electrical data acc. to EN 61984 of inserts with adapters

	7.5A 250V 4kV 3
Working current	
Working voltage	
Rated impulse voltage	
Pollution degree	

Current carrying capacity: Please refer to "Electrical engineering data" page 00.40

Working voltage acc. to UL/CSA 250V
 Insulation resistance $\geq 10^{10} \Omega$
 Material of adapter Polyamide
 Limiting temperatures - 40 °C ... + 125 °C
 Flammability acc. to UL94 V0
 Mechanical working life ≥ 500 cycles


Recommended enclosures: See section 21,22,23,25,26,27

Type: **STD, HE, EMC bulkhead housing**

Material Die cast aluminium
 Surface Powder coated
 Locking element With metal monoblock lever
 Hoods/Housings seal NBR
 Limiting temperatures -40 °C ... + 125 °C
 Degree of protection acc. to EN 60529 for coupled connector IP66

Advantage:
 Low wiring costs
 High contact density
 For PCB up to 2.4 mm thickness

Norme di riferimento: EN 61984, EN 60664.1
 UL 1977
 CSA C22.2 No. 182.3

Approvazioni:  (UL, CSA)

Numero dei contatti degli inserti 24, 42, 72, 108 + \oplus

Caratteristiche elettriche secondo EN 61984 degli inserti con adattatori

	7,5A 250V 4kV 3
Corrente nominale	
Tensione nominale	
Tensione ad impulso	
Grado di inquinamento	

Portata di corrente: Vedere pag. 00.40 "Caratteristiche elettriche"

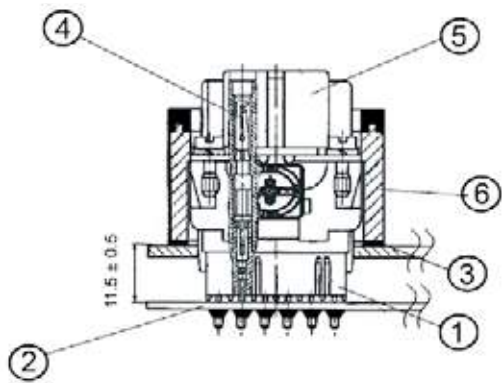
Tensione nominale secondo UL/CSA 250V
 Resistenza di isolamento $\geq 10^{10} \Omega$
 Materiale dell'adattatore Poliammide
 Limiti di temperatura - 40 °C ... + 125 °C
 Autoestinguenza UL94 V0
 Vita meccanica ≥ 500 cicli

Custodie suggerite: Vedere sezioni 21,22,23,25,26,27

Tipo: **STD, HE, EMC custodie da incasso**

Materiale Fusione di alluminio
 Finitura Verniciatura a polvere
 Sistema di chiusura Con leva metallica monoblocco
 Guarnizioni NBR
 Limiti di temperatura -40 °C ... + 125 °C
 Grado di protezione secondo EN 60529 connettori accoppiati IP66





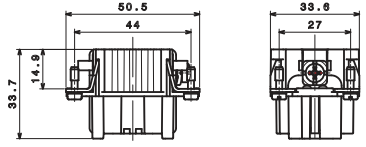
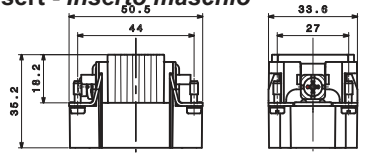


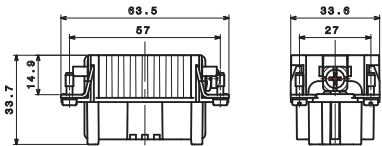
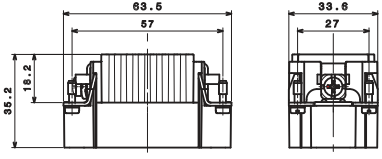


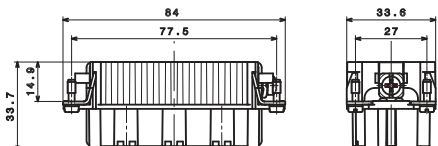
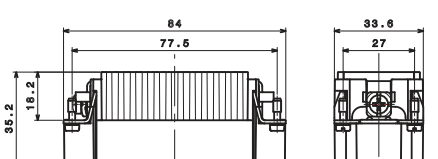


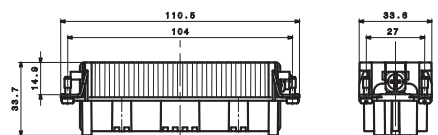
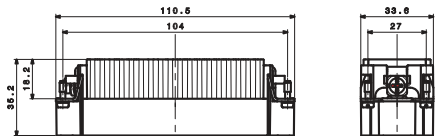
Vantaggi:
 Basso costo di cablaggio
 Connessioni ad alta densità
 Per circuiti stampati di spessore fino a 2.4 mm



1. PCB adapter
 2. Printed circuit board (PCB)
 3. Switch board panel
 4. Double contact
 5. S-DD insert
 6. Bulkhead mounted housing size B
-
1. Adattatore C.S.
 2. Circuito stampato C.S.
 3. Pannello
 4. Contatto doppio
 5. Inserto S-DD
 6. Custodia da incasso grandezza B

According to EN61984 connectors should not be coupled and decoupled under electrical load.

Secondo la norma EN61984 i connettori non devono essere connessi e sconnessi sotto carico

Inserts without double contacts (See also pages 01.28 ÷ 01.33) Inserti senza i contatti doppi (Vedere anche pag. 01.28 ÷ 01.33)		 	Part No. Codice
Size 6B - 24 poles Grandezza 6B - 24 poli  	Female insert - <i>Inserto femmina</i>  Male insert - <i>Inserto maschio</i> 	7124.4040.0 7124.4140.0	
Size 10B - 42 poles Grandezza 10B - 42 poli  	Female insert - <i>Inserto femmina</i>  Male insert - <i>Inserto maschio</i> 	7142.4046.0 7142.4146.0	
Size 16B - 72 poles Grandezza 16B - 72 poli  	Female insert - <i>Inserto femmina</i>  Male insert - <i>Inserto maschio</i> 	7172.4052.0 7172.4152.0	
Size 24B - 108 poles Grandezza 24B - 108 poli  	Female insert - <i>Inserto femmina</i>  Male insert - <i>Inserto maschio</i> 	7108.4058.0 7108.4158.0	



Part No. - Codice

Silver plated
Argentati

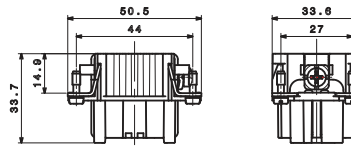
Gold plated
Dorati

Inserts with all double contacts for PCB adapters
Inserti con tutti i contatti doppi per adattatori PCB

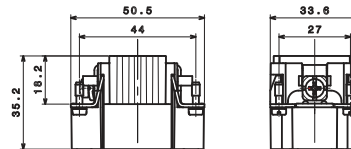
Size 6B - 24 poles with double contacts
Grandezza 6B - 24 poli con contatti doppi



Female insert - *Inserto femmina*



Male insert - *Inserto maschio*



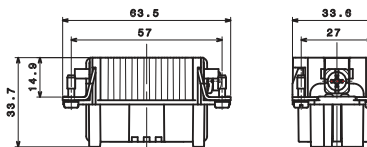
7124.4301.0 7124.4301.1

7124.4302.0 7124.4302.1

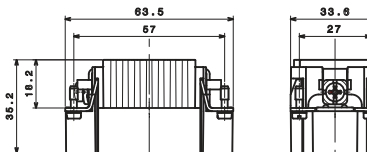
Size 10B - 42 poles with double contacts
Grandezza 10B - 42 poli con contatti doppi



Female insert - *Inserto femmina*



Male insert - *Inserto maschio*



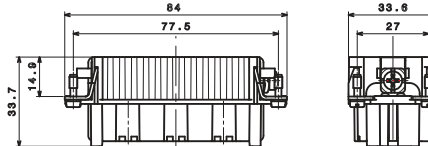
7142.4303.0 7142.4303.1

7142.4304.0 7142.4304.1

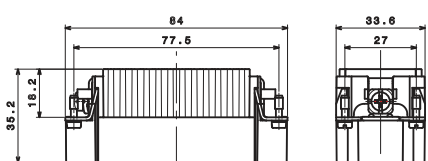
Size 16B - 72 poles with double contacts
Grandezza 16B - 72 poli con contatti doppi



Female insert - *Inserto femmina*



Male insert - *Inserto maschio*



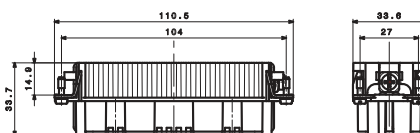
7172.4305.0 7172.4305.1

7172.4306.0 7172.4306.1

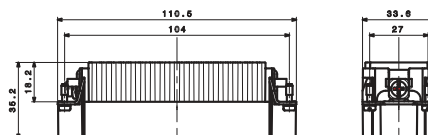
Size 24B - 108 poles with double contacts
Grandezza 24B - 108 poli con contatti doppi



Female insert - *Inserto femmina*



Male insert - *Inserto maschio*

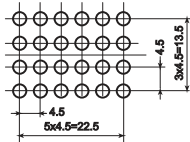


7108.4307.0 7108.4307.1

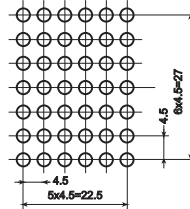
7108.4308.0 7108.4308.1

Layout of PCB (Printed circuit Board) - Foratura del CS (circuito stampato)

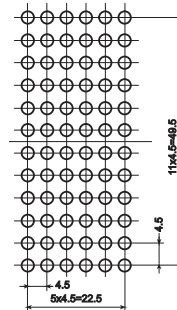
S-DD/PCB 24p



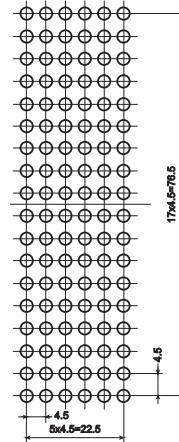
S-DD/PCB 42p



S-DD/PCB 72p



S-DD/PCB 108p



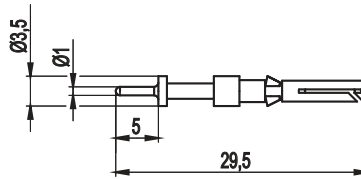
Recommended hole diameter: 0,8 mm - Diametro del foro raccomandato: 0,8 mm

S-DD/PCB Double contacts for S-DD inserts
 Contatti doppi S-DD/PCB per inserti S-DD

Part No.- Codice

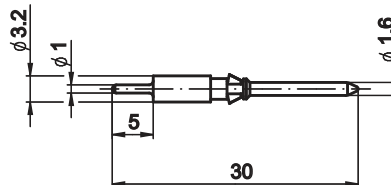
Silver plated Argentati Gold plated Dorati

- For female inserts: Per inserti femmina: 7124.4040.0, 7142.4046.0, 7172.4052.0, 7108.4058.0



7100.4310.0 7100.4310.1

- For male inserts: Per inserti maschio: 7124.4140.0, 7142.4146.0, 7172.4152.0, 7108.4158.0



7100.4311.0 7100.4311.1

- Material: Materiale: Copper alloy - Lega di rame
 - Surface: Finitura: Silver or gold plated - Argentati o dorati



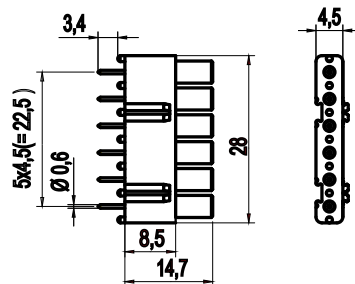
S-DD/PCB adapter (strip with 6 contacts)
 Adattatore per inserti S-DD/PCB (striscie con 6 contatti)

PCB thickness Spessore C.S. mm

Pin length Lunghezza pin "A" mm

Part No.- Codice

Silver plated Argentati Gold plated Dorati



1,6

2,6

7100.4313.0 7100.4313.1

2,4

3,4

7100.4314.0 7100.4314.1

- With silver or gold plated contacts on demand
 - Con contatti argentati o dorati su richiesta



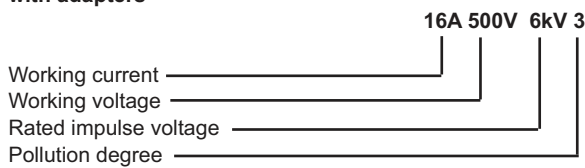
Technical characteristics	Caratteristiche tecniche
---------------------------	--------------------------

Specifications: EN 61984, EN 60664.1
 UL 1977
 CSA C22.2 No. 182.3

Approvals:  (UL, CSA)

Number of contacts of inserts: 6, 10, 16, 24 + \oplus

Electrical data acc. to EN 61984 of inserts with adapters



Current carrying capacity: Please refer to "Electrical engineering data" page 00.41

Insulation resistance $\geq 10^{10} \Omega$
 Material of adapter Polycarbonate
 Limiting temperatures - 40 °C ... + 125 °C
 Flammability acc. to UL94 V0
 Mechanical working life ≥ 500 cycles

Recommended enclosures: See section 21,22,23,25,26,27

Type: STD, HE, EMC bulkhead housing

Material Die cast aluminium
 Surface Powder coated
 Locking element With metal monoblock lever
 Hoods/Housings seal NBR
 Limiting temperatures -40 °C ... + 125 °C
 Degree of protection acc. to EN 60529 for coupled connector IP66

Advantage:

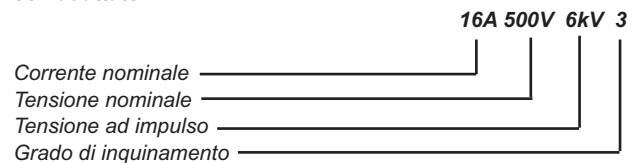
- Low wiring costs
- Counter connector available with screw or crimp or spring terminations
- For PCB up to 2,4 mm thickness

Norme di riferimento: EN 61984, EN 60664.1
 UL 1977
 CSA C22.2 No. 182.3

Approvazioni:  (UL, CSA)

Numero dei contatti degli inserti: 6, 10, 16, 24 + \oplus

Caratteristiche elettriche secondo EN 61984 degli inserti con adattatori:



Portata di corrente: Vedere pag. 00.41 "Caratteristiche elettriche"

Resistenza di isolamento $\geq 10^{10} \Omega$
 Materiale dell'adattatore Polycarbonate
 Limiti di temperatura - 40 °C ... + 125 °C
 Autoestinguenza UL94 V0
 Vita meccanica ≥ 500 cicli

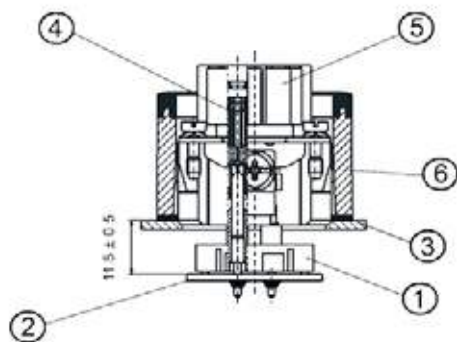
Custodie suggerite: Vedere sezioni 21,22,23,25,26,27

Tipo: STD, HE, EMC custodie da incasso

Materiale Fusione di alluminio
 Finitura Verniciatura a polvere
 Sistema di chiusura Con leva metallica monoblocco
 Guarnizioni NBR
 Limiti di temperatura -40 °C ... + 125 °C
 Grado di protezione secondo EN 60529 connettori accoppiati IP66

Vantaggi:

- Basso costo di cablaggio
- Da connettere con connettori con terminali a vite, o crimpare o molla
- Per circuiti stampati fino a 2,4 mm di spessore





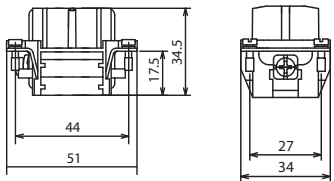
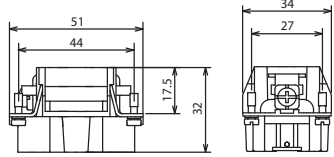


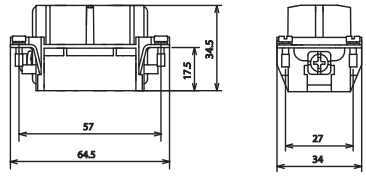
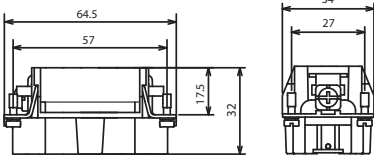


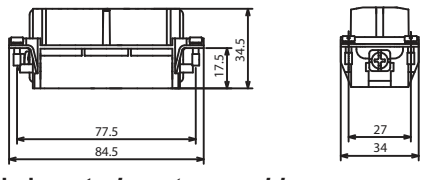
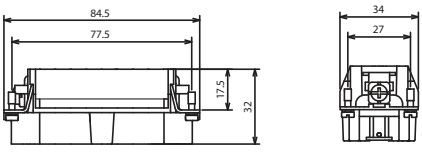


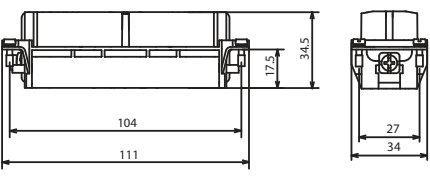
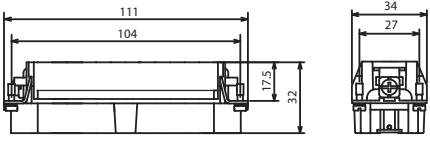
1. PCB adapter
2. Printed circuit board (PCB)
3. Switch board panel
4. Double contact
5. S-E insert
6. Bulkhead mounted housing size B

1. Adattatore C.S.
2. Circuito stampato C.S.
3. Pannello
4. Contatto doppio
5. Inserto S-E
6. Custodia da incasso grandezza B

According to EN61984 connectors should not be coupled and decoupled under electrical load.

Secondo la norma EN61984 i connettori non devono essere connessi e sconnessi sotto carico



Inserts without double contacts S-EC serie (see also pages 02.01 ÷ 02.09) Inserti senza i contatti inseriti serie S-EC (vedere anche pag.02.01 ÷ 02.09)		Part No. Codice
<p>Size 6B - 6 poles Grandezza 6B - 6 poli</p>  	<p>Female insert - Inserto femmina</p>  <p>Male insert - Inserto maschio</p> 	<p>7306.6061.0</p> <p>7306.6161.0</p>
<p>Size 10B - 10 poles Grandezza 10B - 10 poli</p>  	<p>Female insert - Inserto femmina</p>  <p>Male insert - Inserto maschio</p> 	<p>7310.6062.0</p> <p>7310.6162.0</p>
<p>Size 16B - 16 poles Grandezza 16B - 16</p>  	<p>Female insert - Inserto femmina</p>  <p>Male insert - Inserto maschio</p> 	<p>7316.6063.0</p> <p>7316.6163.0</p>
<p>Size 24B - 24 pole Grandezza 24B - 24 poli</p>  	<p>Female insert - Inserto femmina</p>  <p>Male insert - Inserto maschio</p> 	<p>7324.6065.0</p> <p>7324.6164.0</p>



Part No. - Codice

Silver plated
Argentati

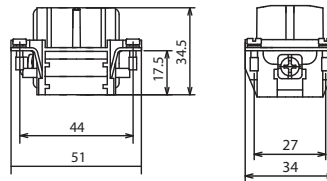
Gold plated
Dorati

Inserts with all double contacts for PCB adapters
Inserti con tutti i contatti doppi per adattatori PCB

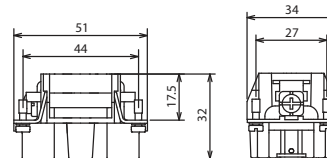
Size 6B - 6 poles with double contacts
Grandezza 6B - 6 poli con contatti doppi



Female insert - *Inserto femmina*



Male insert - *Inserto maschio*



7306.4321.0

7306.4321.1

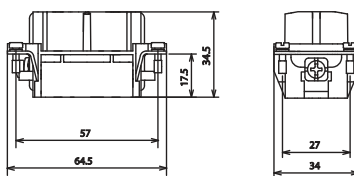
7306.4322.0

7306.4322.1

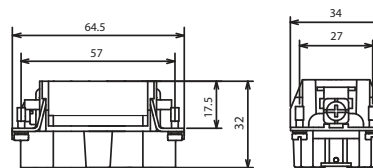
Size 10B - 10 poles with double contacts
Grandezza 10B - 10 poli con contatti doppi



Female insert - *Inserto femmina*



Male insert - *Inserto maschio*



7310.4323.0

7310.4323.1

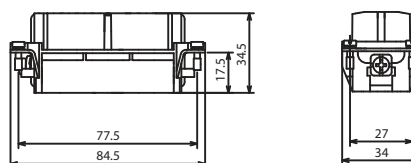
7310.4324.0

7310.4324.1

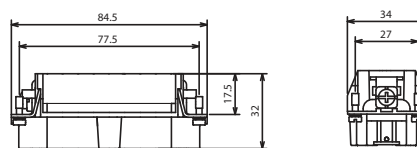
Size 16B - 16 poles with double contacts
Grandezza 16B - 16 poli con contatti doppi



Female insert - *Inserto femmina*



Male insert - *Inserto maschio*



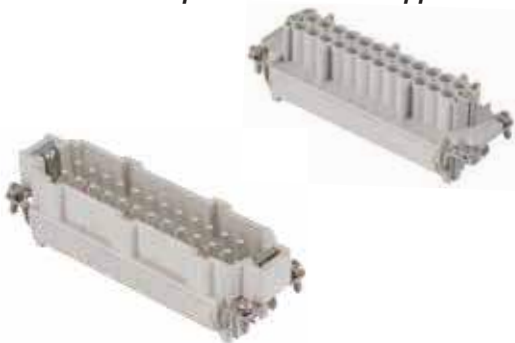
7316.4325.0

7316.4325.1

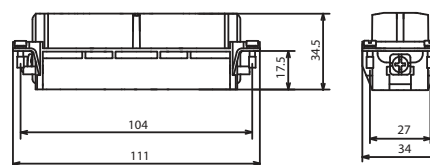
7316.4326.0

7316.4326.1

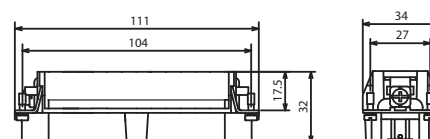
Size 24B - 24 poles with double contacts
Grandezza 24B - 24 poli con contatti doppi



Female insert - *Inserto femmina*



Male insert - *Inserto maschio*



7324.4327.0

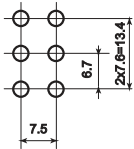
7324.4327.1

7324.4328.0

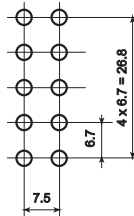
7324.4328.1

Layout of PCB (Printed circuit Board) - Foratura del CS (circuito stampato)

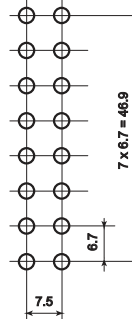
S-E/PCB 6p



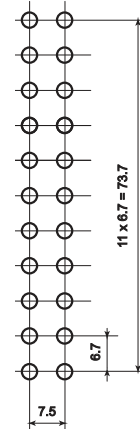
S-E/PCB 10p



S-E/PCB 16p



S-E/PCB 24p



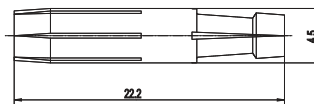
Recommended hole diameter: 1,8 mm - Diametro del foro raccomandato: 1,8 mm

S-E/PCB Double contacts for S-E inserts
 Contatti doppi S-E/PCB per inserti S-E

Part No. - Codice

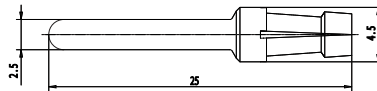
Silver plated Argentati Gold plated Dorati

- For female inserts: Per inserti femmina: 7306.6061.0, 7310.6062.0, 7316.6063.0, 7324.6065.0



7300.4330.0 7300.4330.1

- For male inserts: Per inserti maschio: 7306.6161.0, 7310.6162.0, 7316.6163.0, 7324.6165.0



7300.4331.0 7300.4331.1

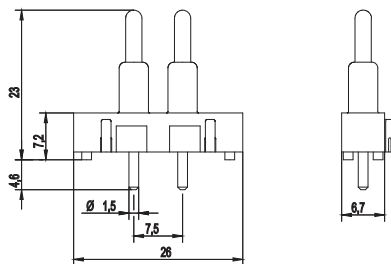
- Material: *Materiale:* Copper alloy - Lega di rame
- Surface: *Finitura:* Silver or gold plated - Argentati o dorati



Adapter for S-E / PCB inserts
 Adattatore per inserti S-E / PCB

Part No. - Codice

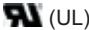


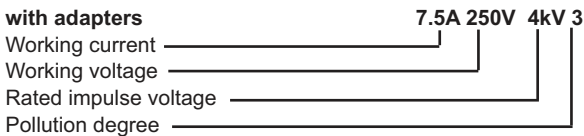
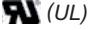


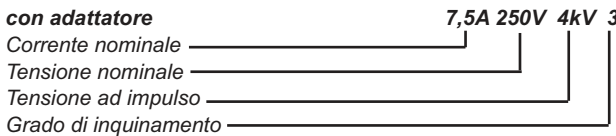
Silver plated Argentati Gold plated Dorati

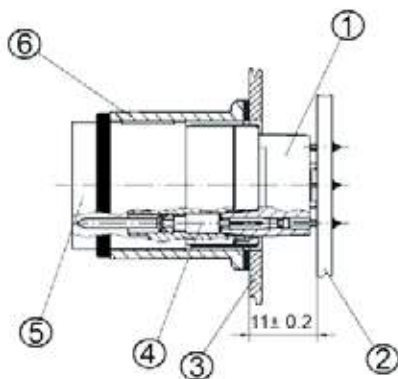


7300.4333.0 7100.4333.1

- For PCB up to 2,4 mm thickness
- Per circuiti stampati di spessore fino a 2,4 mm
- With silver or gold plated contacts on demand
- Con contatti argentati o dorati su richiesta




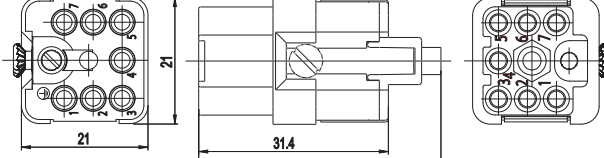
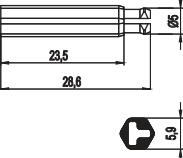

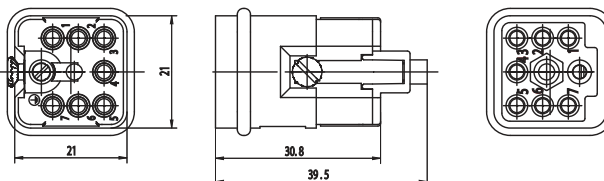
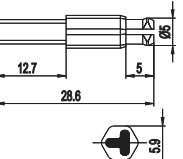
Technical characteristics	Caratteristiche tecniche
<p>Specifications: EN 61984, EN 60664.1 UL 1977 CSA C22.2 No. 182.3</p> <p>Approvals:  (UL)  </p> <p>Number of contacts of insert: 7 + ⊕</p> <p>Electrical data acc. to EN 61984 with adapters </p> <p>Current carrying capacity: Please refer to "Electrical engineering data" page 00.39</p> <p>Insulation resistance ≥ 10¹⁰ Ω Material of adapter Polycarbonate Limiting temperatures - 40 °C ... + 125 °C Flammability acc. to UL94 V0 Mechanical working life ≥ 500 cycles</p> <p>Recommended enclosures: See section 17</p> <p>Insulated type: bulkhead housings Material Polyamide glass filled Locking element Polyamide glass filled Flammability UL94 V0 - GWT 960° Hoods/Housings seal NBR Limiting temperatures -40 °C ... + 125 °C Degree of protection acc. to EN 60529 for coupled connector IP66 / IP67 Thread Metric EN 50262 Pg DIN 40430</p> <p>Metal type: bulkhead housings Material Die cast aluminium Surface Powder coated Locking element With metal monoblock lever Hoods/Housings seal NBR Limiting temperatures -40 °C ... + 125 °C Degree of protection acc. to EN 60529 for coupled connector IP66/IP67 Thread Metric EN 50262 Pg DIN 40430</p> <p>Advantage: Low wiring costs High contact density For PCB up to 2,4 mm thickness</p>	<p>Norme di riferimento: EN 61984, EN 60664.1 UL 1977 CSA C22.2 No. 182.3</p> <p>Approvazioni:  (UL)  </p> <p>Numero dei contatti degli inserti: 7 + ⊕</p> <p>Caratteristiche elettriche secondo EN 61984 con adattatore </p> <p>Portata di corrente: Vedere pag. 00.39 "Caratteristiche elettriche"</p> <p>Resistenza di isolamento ≥ 10¹⁰ Ω Materiale dell'adattatore Policarbonato Limiti di temperatura - 40 °C ... + 125 °C Autoestinguenza UL94 V0 Vita meccanica ≥ 500 cicli</p> <p>Custodie suggerite: Vedere sezioni 17</p> <p>Tipo isolato: custodie da incasso Materiale Poliammide+vetro Sistema di chiusura Poliammide+vetro Autoestinguenza UL94 V0 - GWT 960° Guarnizioni NBR Limiti di temperatura -40 °C ... + 125 °C Grado di protezione secondo EN 60529 connettori accoppiati IP66 / IP67 Filettature Metrica EN 50262 Pg DIN 40430</p> <p>Tipo metallico: custodie da incasso Materiale Fusione di alluminio Finitura Verniciatura a polvere Sistema di chiusura Con leva metallica monoblocco Guarnizioni NBR Limiti di temperatura -40 °C ... + 125 °C Grado di protezione secondo EN 60529 connettori accoppiati IP66 / IP67 Filettature Metrica EN 50262 Pg DIN 40430</p> <p>Vantaggi: Basso costo di cablaggio Connessioni ad alta densità Per circuiti stampati fino a 2,4 mm di spessore</p>


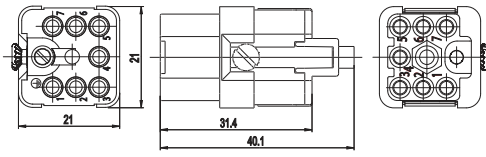

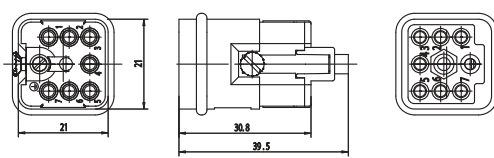

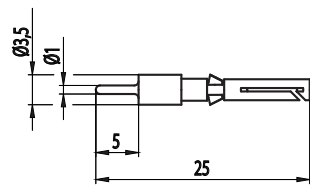

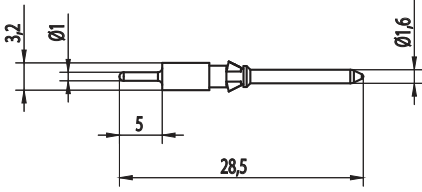


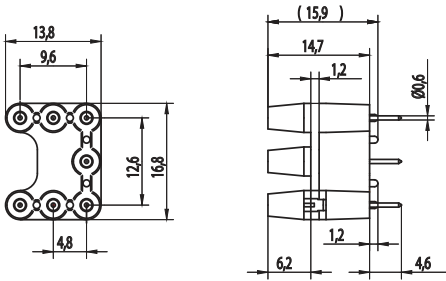
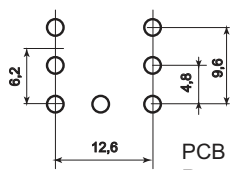



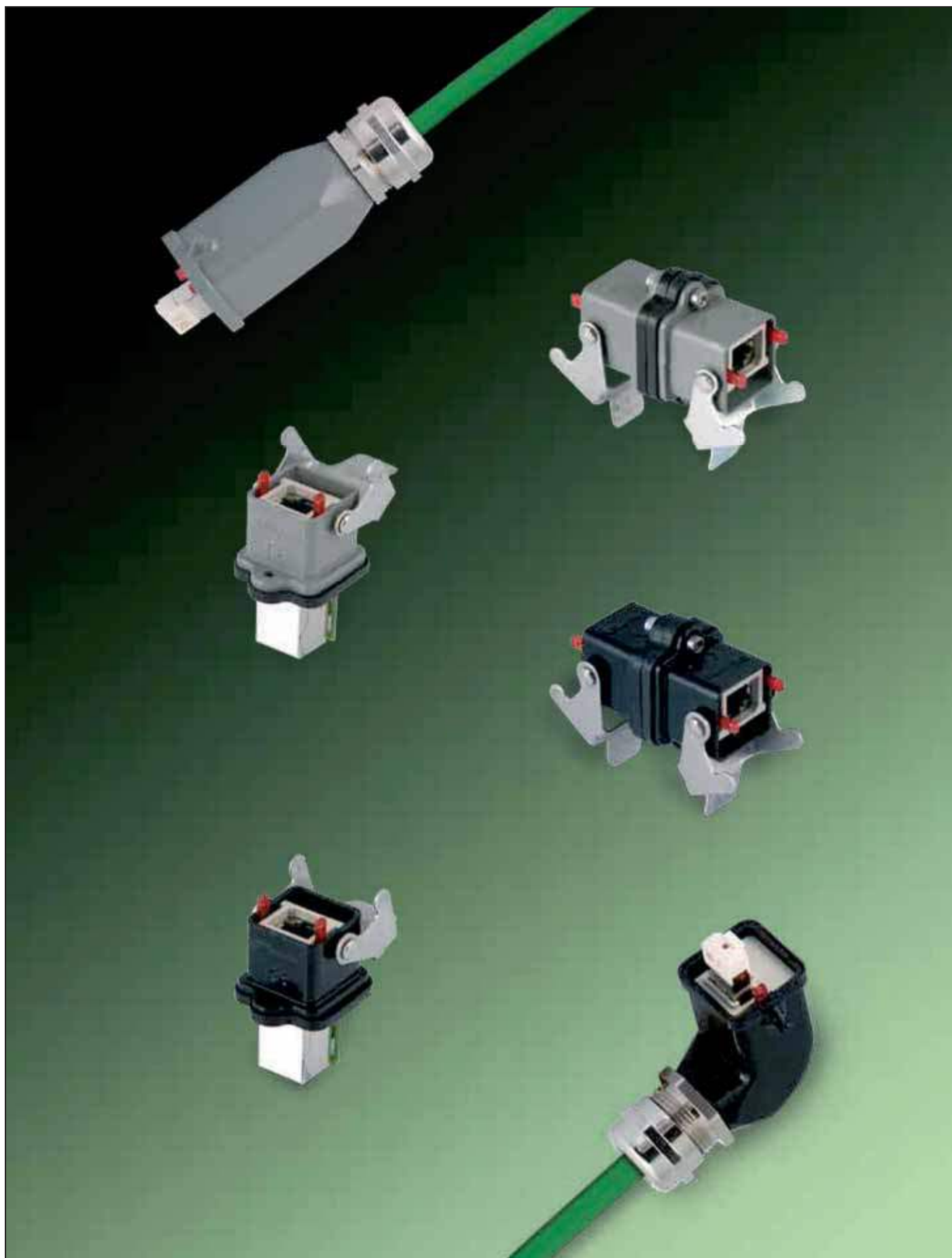
1. PCB adapter
 2. Printed circuit board (PCB)
 3. Board panel
 4. Double contact
 5. Q/7 insert
 6. 3 A bulkhead mounting housing
-
1. Adattatore CS
 2. Circuito stampato CS
 3. Pannello
 4. Contatto doppio
 5. Inserto S-Q7
 6. Custodia da incasso 21x21

According to EN61984 connectors should not be coupled and decoupled under electrical load.

Secondo la norma EN61984 i connettori non devono essere connessi e sconnessi sotto carico

Inserts without double contacts Inserti senza contatti doppi	Size 3A «21x21», 7p + ⊕	UL/CSA : 600 V	Part No. Codice
<p>Contact carrier for female double contacts Inserto porta contatti per contatti femmina doppi</p> 			7607.5802.0
<p>CE RoHS</p> <p>Female double contacts, 7 pcs Please order separately, page 08.12</p> <p>Contatti femmina doppi, 7 pz Da ordinare separatamente, pag. 08.12</p>	<p>Polarization key for female inserts to be ordered separately Chiave di polarizzazione per inserti femmina Da ordinare separatamente</p> <p>The polarization key can be assembled into the insert in 6 different positions La chiave di polarizzazione può essere inserita nell'inserto in 6 posizioni differenti</p> 		7000.6887.0
<p>Contact carrier for male double contacts Inserto porta contatti per contatti maschio doppi</p> 			7607.5902.0
<p>CE RoHS</p> <p>Male double 10A, 7 pcs Please order separately, page 08.12</p> <p>Contatti maschio doppi, 7 pz Da ordinare separatamente, pag. 08.12</p>	<p>Polarization key for male inserts to be ordered separately Chiave di polarizzazione per inserti maschio Da ordinare separatamente</p> <p>The polarization key can be assembled into the insert in 6 different positions La chiave di polarizzazione può essere inserita nell'inserto in 6 posizioni differenti</p> 		7000.6888.0
<p>Hood/housing size 3A «21x21» Custodie grandezza 3A «21x21»</p>	<p>Dimensions in mm Part No. bold letters refer to standard availability. Normal letters refer to items on special request. Dimensioni in mm I codici in grassetto indicano i prodotti di normale disponibilità. Il carattere normale indica i prodotti speciali su richiesta.</p>	<p>Accessories, cable glands and tools see sections 50, 55 e 60 Accessori, pressacavi ed attrezzi vedere sezioni 50, 55 e 60</p>	

Insert with all double contacts for PCB adapters <i>Inserto con tutti i contatti doppi per adattatore PCB</i>		Part No.- Codice	
		Silver plated <i>Argentati</i>	Gold plated <i>Dorati</i>
 <p>With female silver plated contacts: 7100.4345.0 <i>Con contatti femmina argentati: 7100.4345.0</i></p> 	7607.4341.0	7607.4341.1	
	 <p>With male silver plated contacts: 7100.4347.0 <i>Con contatti maschio argentati: 7100.4347.0</i></p> 	7607.4342.0	7607.4342.1
<p>S-Q7/PCB Double contacts for S-Q7 inserts <i>Contatti doppi S-Q7/PCB per inserti S-Q7</i></p>		Part No.- Codice	
<p>- For female insert: <i>Per inserto femmina:</i> 7607.5802.0</p>  		7100.4345.0	7100.4345.1
<p>- For male insert: <i>Per inserto maschio:</i> 7607.5902.0</p>  		7100.4347.0	7100.4347.1
<p>- Material: <i>Materiale:</i> Copper alloy - <i>Lega di rame</i> - Surface: <i>Finitura:</i> Silver or gold plated - <i>Argentati o dorati</i></p>			
<p>S-Q7/PCB adapter <i>Adattatore per inserti S-Q7/PCB</i></p>		Part No.- Codice	
 		7100.4349.0	7100.4349.1
<p>- For PCB up to 2,4 mm thickness - <i>Per circuiti stampati di spessore fino a 2,4 mm</i> - With silver or gold plated contacts on demand - <i>Con contatti argentati o dorati su richiesta</i></p>  <p>PCB layout Recommended holes diameter 0.8 mm <i>Diametro raccomandato dei fori 0,8 mm</i></p>			



Technical characteristics	Caratteristiche tecniche
---------------------------	--------------------------

GWconnect Industrial Ethernet cabling:

The system is based on the RJ45 connectors for data and power supply.
 The industrial RJ45 connector is integrated with 2 additional contacts for power supply. It remains compatible with the standards.
 Suitable for the majority of the industrial applications, also for harsh environment.
 The system is composed by RJ45 jacks and plugs with 4 poles with or without the 2 power contacts.
 Molex offers for the standard cabling also RJ45 jacks and plugs with 8 poles for signal with or without the 2 power contacts, CAT5 and CAT6 too.
 RJ45, 4 poles for PROFINET applications are also available.

The industrial Ethernet:

It is especially designed for Ethernet transmission of data with a max. transmission rate of 100 Mbit/sec.

Data can be reliably transmitted at either 10 Mbit/sec. or 100 Mbit/sec, with the clear assignment of the four wires to the first, second, third and sixth contacts of the RJ45 connector.

This complies with the following specifications.

- 10 Mbit/sec. Ethernet, corresponding to 10 Base-T
- 100 Mbit/sec. Ethernet, corresponding to 100 Base-T (Fast Ethernet)

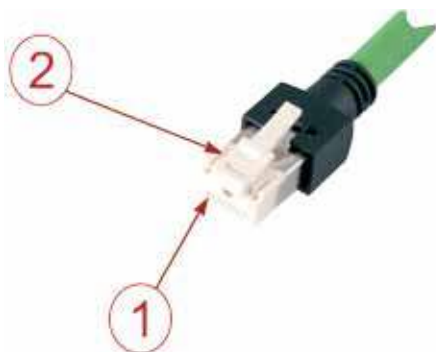
Referring standard:

Transmission performance:

- CAT5/Class D up to 100MHz according to ISO/IEC 11801-2, EN 50173-2
- CAT6/Class E up to 250MHz according to ISO/IEC 11801, EN 50173-2

Nomenclature:

- 8p4C = RJ45 8 poles with 4 contacts
- 8p4C+2pC = RJ45 8 poles with 4 contacts + 2 power contacts
- 8p8C = RJ45 8 poles with 8 contacts
- 8p8C+2pC = RJ45 8 poles with 8 contacts + 2 power contacts



1 = Signal contacts
 2 = 2 additional power contacts

GWconnect Industrial Ethernet cabling:

*Il sistema è basato sul connettore RJ45 sia per la trasmissione di segnali che per l'alimentazione.
 Nel connettore RJ45 di livello industriale sono integrati 2 contatti per l'alimentazione degli apparati rimanendo compatibile con le Norme.
 Utilizzabile per la maggioranza delle applicazioni industriali, anche in ambienti aggressivi.
 Il sistema si basa sulle prese e spine RJ45 con 4 poli per il segnale con o senza i due contatti di potenza per l'alimentazione.
 Vengono inoltre offerti connettori e cavi per il cablaggio standard a 8 poli con o senza i contatti di potenza, nelle categorie CAT5 e CAT6.
 Sono inoltre disponibili connettori RJ45 e cavi compatibili con applicazioni PROFINET.*

Cablaggio Ethernet industriale:

Il sistema di cablaggio industriale è progettato per trasmissioni Ethernet con una massima velocità di trasmissione di 100Mbit/sec. I segnali digitali vengono trasmessi con la massima affidabilità sia a 10Mbit/sec che a 100 Mbit/sec sui contatti 1,2,3 e 6 del connettore RJ45.

Il sistema è conforme alle seguenti Norme:

- 10 Mbit/sec. Ethernet, corrispondente a 10 Base-T
- 100 Mbit/sec. Ethernet, corrispondente a 100 Base-T (Fast Ethernet)

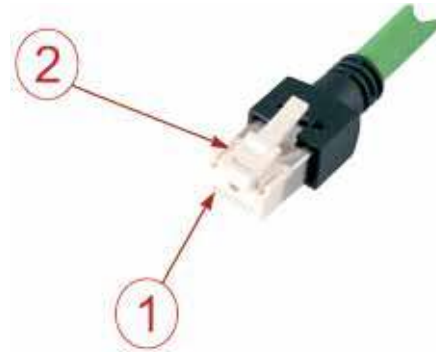
Norme di riferimento:

Caratteristiche della trasmissione:

- CAT5/Class D fino a 100MHz secondo ISO/IEC 11801-2, EN 50173-2
- CAT6/Class E fino a 250MHz secondo ISO/IEC 11801, EN 50173-2

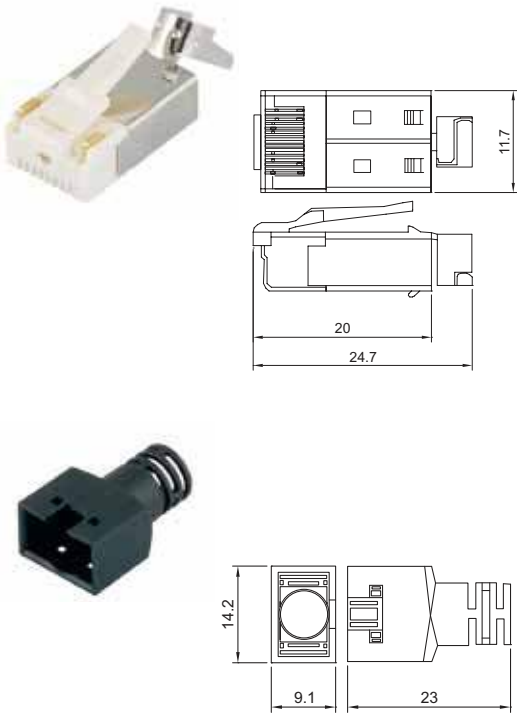


Nomenclatura:

- 8p4C = RJ45 8 poli con 4 contatti
- 8p4C+2pC = RJ45 8 poli con 4 contatti + 2 contatti di potenza
- 8p8C = RJ45 8 poli con 8 contatti
- 8p8C+2pC = RJ45 8 poli con 8 contatti + 2 contatti di potenza



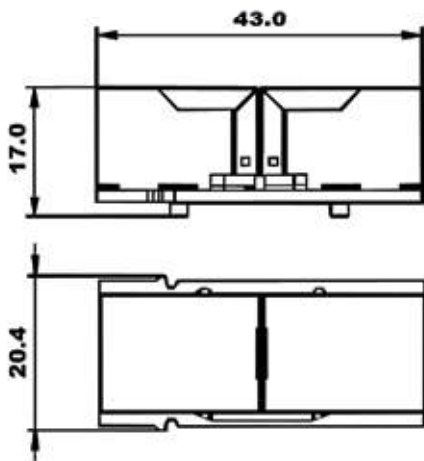
1 = Contatti di segnale
 2 = 2 contatti di potenza aggiuntivi

Technical characteristics	Caratteristiche tecniche
<p>• The following fully shielded types are available:</p> <ul style="list-style-type: none"> - CAT5, Class D, 100 MHz Fast Ethernet for digital transmission up to 100Mbit/s - CAT6, Class E, 250 MHz Gigabit Ethernet for digital transmission up to 1000Mbit/s <p>• IDC termination for 22AWG ÷ 26AWG solid and stranded wires</p> <p>• With 2 polarization keys for 4 different positions</p> <p>• Electrical data</p> <ul style="list-style-type: none"> - Current: 2,1A max - Voltage: 250V AC max - Insulation resistance: 500 MOHM - Limiting temperatures: -40°C + +120°C - Material: PBT UL94-V0 - Contacts: Gold plated - Mechanical working life: ≥ 1500 cycles - Contacts: for stranded wires - Crimping tool see section: Section 60 <p>Protection degree IP20 or IP66/IP67 with 3A «21x21» enclosures</p> <p>Recommended enclosures: See section: 17</p> <p>Type: Hood with gasket</p> <p>Size: 3A «21x21»</p> <p>Hood/Housings insulated type:</p> <ul style="list-style-type: none"> Material: Polyamide glass filled Locking element: Polyamide glass filled Flammability: UL94 V0 - GWT 960° Hood/housings seal: NBR Limiting temperatures: -40°C ... +125°C Degree of protection acc. to EN 60529 for coupled connectors: IP66/IP67 Thread: Metric, EN 50262 Pg, DIN 40430 <p>Hood/Housings metal:</p> <p>Type: STD, HE, EMC Hood with gasket</p> <ul style="list-style-type: none"> Size: 3A «21x21» Material: Die cast aluminium Surface: Powder coated Locking element: With metal monoblock lever Hood/housings seal: NBR Limiting temperatures: -40°C ... +125°C Degree of protection acc. to EN 60529 for coupled connectors: IP66/IP67 Thread: Metric EN 50262 Pg DIN 40430 	<p>• Sono disponibili i seguenti tipi completamente schermati</p> <ul style="list-style-type: none"> - CAT5, classe D, 100MHz per Fast Ethernet per trasmissioni digitali fino a 100 Mbit/s. - CAT6, classe E, 250MHz per Fast Ethernet per trasmissioni digitali fino a 1000 Mbit/s. <p>• Terminazione IDC per fili rigidi o flessibili 22AWG ÷ 26AWG</p> <p>• Con 2 chiavi di polarizzazione per 4 differenti posizioni</p> <p>• Caratteristiche elettriche</p> <ul style="list-style-type: none"> - Corrente: 2,1A max - Tensione: 250V AC max - Resistenza d'isolamento: 500 MOHM - Limiti di temperature: -40°C + +120°C - Materiali: PBT UL94-V0 - Contatti: Dorati - Vita meccanica: ≥1500 cicli - Contatti: Per fili flessibili - Atterzzo di crimpatura vedere: Sezione 60 <p>Grado di protezione: IP20 oppure IP66/IP67 con custodie 3A «21x21»</p> <p>Custodie raccomandate: Vedere sezione 17</p> <p>Tipo: Custodia mobile con guarnizione</p> <p>Grandezza: 3A «21 x 21»</p> <p>Custodie tipo isolato:</p> <ul style="list-style-type: none"> Materiale: Poliammide + vetro Sistema di chiusura: Poliammide + vetro Autoestingenza: UL94 V0 - GWT 960° Guarnizioni: NBR Limiti di temperature: -40°C ... +125°C Grado di protezione secondo EN 60529 connettori accoppiati: IP66/IP67 Filettature: Metrica, EN 50262 Pg, DIN 40430 <p>Custodie metalliche:</p> <p>Tipo: STD, HE, EMC Custodia mobile con guarnizione</p> <ul style="list-style-type: none"> Grandezza: 3A «21x21» Materiale: Fusione di alluminio Superficie: Verniciatura a polvere Sistema di chiusura: Leva metallica monoblocco Guarnizione: NBR Limiti di temperature: -40°C ... +125°C Grado di protezione secondo EN 60529 connettori accoppiati: IP66/IP67 Filettature: Metrica EN 50262 Pg DIN 40430

Description and technical characteristics - <i>Descrizione e caratteristiche tecniche</i>	Part No. Codice
 <p>STP CAT5 8p/4C with 4 data contacts for 24AWG wires <i>STP CAT5, 8p/4C con 4 contatti dati per conduttori 24AWG</i></p> <p>STP CAT5 8p/4C with 4 data contacts for PROFINET for 22 AWG wires <i>STP CAT5, 8p/4C con 4 contatti dati per PROFINET per conduttori 22 AWG</i></p> <p>STP CAT5 8p/4C + 2pC with 4 data contacts for 24AWG wires + 2 power additional contacts for 22AWG wires <i>STP CAT5, 8p/4C + 2pC con 4 contatti dati per conduttori 24AWG + 2 contatti di potenza per conduttori 22AWG</i></p> <p>STP CAT5 8p/8C with 8 data contacts for 24AWG wires <i>STP CAT5, 8p/8C con 8 contatti dati per conduttori 24AWG</i></p> <p>STP CAT5 8p/8C + 2pC with 8 data contacts for 24AWG wires + 2 power additional contacts for 22AWG wires <i>STP CAT5, 8p/8C + 2pC con 8 contatti dati per conduttori 24AWG + 2 contatti di potenza per conduttori 22AWG</i></p> <p>Boot for shielded RJ45 plug for cable DIA 7 mm max. <i>Passacavo per spina RJ45 schermata per cavi DIA 7 mm max.</i> - Material: Polyamide black <i>Materiale: Poliammide nero</i></p> <p>CE </p>	<p>2140.3363.0</p> <p>2140.3364.0</p> <p>2142.3363.0</p> <p>2180.3363.0</p> <p>2182.3363.0</p> <p>2100.3367.1</p>
 <p>For cable DIA 7.0 mm max <i>Per cavo DIA 7.0 mm max</i></p>	<p>Professional crimping tool for crimping RJ45 shielded plugs short body with strain relief. See section 60.</p> <p><i>Pinza professionale a crimpare per la crimpatura delle spine RJ45 schermate, corpo compatto con fermacavo. Vedere sezione 60</i></p> <p>8500.0801.0</p>

RJ45 coupler jacks PCB assembled CAT5, fully shielded
Accoppiatore, prese RJ45 su PCB, CAT5, completamente schermato

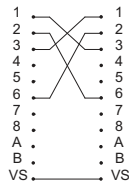
Part No.
Codice



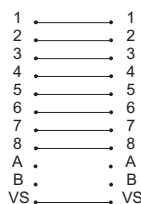
- 8p4C crossover
- 8p4C crossover + 2 PC pin to pin
- 8p8C pin to pin
- 8p8C + 2 PC pin to pin

PC = Power contacts
 PC = Contatti di potenza

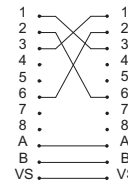
8p/4C wiring
 P.No. 2140.3381.0



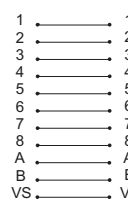
8p/8C wiring
 P.No. 2180.3381.0



8p/4C + 2pC wiring
 P.No 2142.3381.0



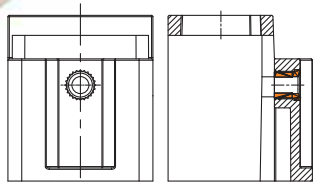
8p/8C + 2pC wiring
 P.No 2182.3381.0



- 2140.3381.0
- 2142.3381.0
- 2180.3381.0
- 2182.3381.0

RJ45 plug and socket adapters
Adattori per spine e prese RJ45

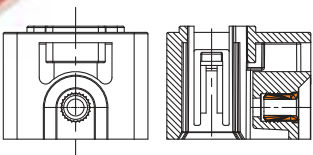
Part No.
Codice



RJ45 jack adapter for 3A «21x21» housing
 - With 2 polarization key and fixing screw

Adattatore per presa RJ45 per custodia 3A «21x21» da incasso
 - Con 2 chiavi di polarizzazione e vite di fissaggio

2100.3383.0



RJ45 plug adapter for 3A «21x21» hood
 - With 2 polarization keys and fixing screw
 - For hood with gasket

Adattatore spine RJ45 per custodie 3A «21x21»
 - Con 2 chiavi di polarizzazione e vite di fissaggio
 - Per custodie mobili con guarnizione

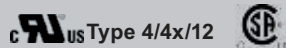
2100.3369.0



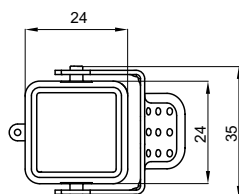
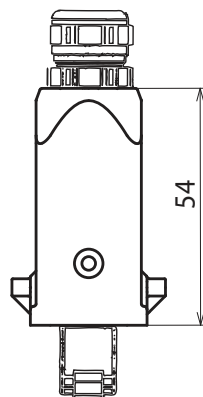
Polarization key
Chiave di polarizzazione

2100.3368.0

Completed male connectors, with insulated hood top entry
 Connettori completi maschio, con custodia isolata ingresso verticale



Part No.
Codice



IP66/IP67



Protection cover
Coperchio di protezione

The connector is composed by:

- Insert CAT5 fully shielded
- Hood insulated black color with gasket
- Adapter with 2 polarization keys
- Cable gland thermoplastic material black color
Pg11 for cable Dia 5-10 mm or M20 for cable Dia 6-12 mm

Il connettore è composto da:

- Inserto CAT5 completamente schermato
- Custodia in materiale isolato colore nero con guarnizione
- Adattatore con 2 chiavi di polarizzazione
- Pressacavo in materiale termoplastico colore nero
PG11 per cavi Dia 5-10 mm o M20 per cavi Dia 6-12 mm

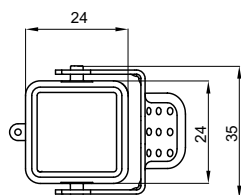
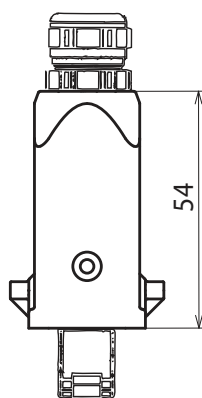
Hood with - Custodie con:

- RJ45 plug 8p4C - Pg11 7940.3310.1
- RJ45 plug 8p4C - M20 7940.3410.1
- RJ45 plug 8p4C + 2pC - Pg11 7942.3310.1
- RJ45 plug 8p4C + 2pC - M20 7942.3410.1
- RJ45 plug 8p8C - Pg11 7980.3310.1
- RJ45 plug 8p8C - M20 7980.3410.1
- RJ45 plug 8p8C + 2pC - Pg11 7982.3310.1
- RJ45 plug 8p8C + 2pC - M20 7982.3410.1
- RJ45 plug 8p4C Profinet - Pg11 7940.3382.1
- RJ45 plug 8p4C Profinet - M20 7940.3482.1

Protection cover with lever
Coperchio di protezione con leva

7803.6880.1

2 PC = 2 Power contacts



IP66/IP67



Protection cover
Coperchio di protezione

The connector is composed by:

- Insert CAT5 with 2 additional power contacts, fully shielded
- Hood insulated black color with gasket
- Adapter with 2 polarization keys
- Cable gland thermoplastic material grey color
Pg11 for cable Dia 5-10 mm or M20 for cable Dia 6-12 mm

Il connettore è composto da:

- Inserto CAT5 con 2 contatti di potenza aggiuntivi, completamente schermato
- Adattatore a 2 chiavi di polarizzazione
- Custodia in materiale isolato colore grigio con guarnizione
- Pressacavo in materiale termoplastico colore grigio
PG11 per cavi Dia 5-10 mm o M20 per cavi Dia 6-12 mm

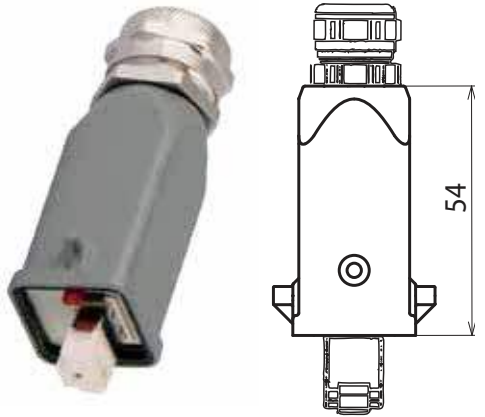
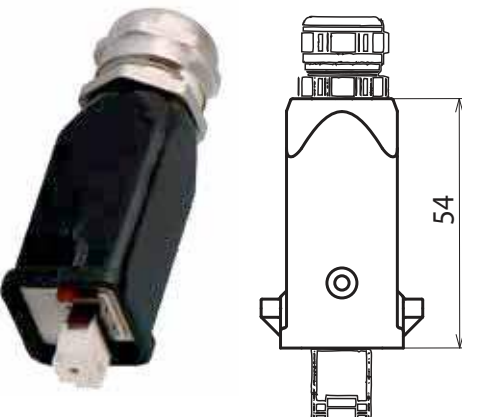
Hood with - Custodie con:

- RJ45 plug 8p4C - Pg11 7940.3310.0
- RJ45 plug 8p4C - M20 7940.3410.0
- RJ45 plug 8p4C + 2pC - Pg11 7942.3310.0
- RJ45 plug 8p4C + 2pC - M20 7942.3410.0
- RJ45 plug 8p8C - Pg11 7980.3310.0
- RJ45 plug 8p8C - M20 7980.3410.0
- RJ45 plug 8p8C + 2pC - Pg11 7982.3310.0
- RJ45 plug 8p8C + 2pC - M20 7982.3410.0
- RJ45 plug 8p4C Profinet - Pg11 7940.3382.0
- RJ45 plug 8p4C Profinet - M20 7940.3482.0

Protection cover grey with lever
Coperchio di protezione grigio con leva

7803.6880.0

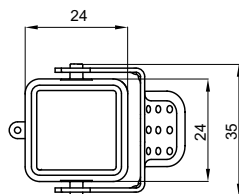
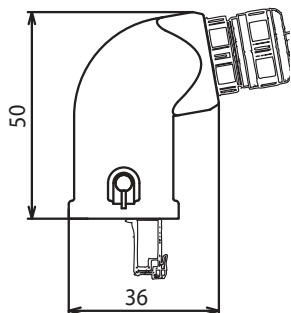
PC = 2 Power contacts

Completed male connectors with metal hood, top entry Connettori completi maschio con custodia metallica, ingresso verticale		US Type 4/4x/12	Part No. Codice
 <p>IP66/IP67</p> <p>CE (RoHS)</p> <p>Protection cover Coperchio di protezione</p>	<p>The connector is composed by:</p> <ul style="list-style-type: none"> • Insert CAT5 fully shielded • Metal hood STD type grey color RAL 7037 with gasket • Adapter with 2 polarization keys • Metal cable gland Pg11 for cable Dia 4-10 mm or M20 for cable Dia 6-14 mm <p>Il connettore è composto da:</p> <ul style="list-style-type: none"> • Inserto CAT5 completamente schermato • Custodia metallica tipo STD, grigio RAL 7037 con guarnizione • Adattatore con 2 chiavi di polarizzazione • Pressacavo metallico PG11 per cavi Dia 4-10 mm o M20 per cavi Dia 6-14 mm <p>Hood with - Custodie con:</p> <ul style="list-style-type: none"> - RJ45 plug 8p4C - Pg11 - RJ45 plug 8p4C - M20 - RJ45 plug 8p4C + 2pC - Pg11 - RJ45 plug 8p4C + 2pC - M20 - RJ45 plug 8p8C - Pg11 - RJ45 plug 8p8C - M20 - RJ45 plug 8p8C + 2pC - Pg11 - RJ45 plug 8p8C + 2pC - M20 - RJ45 plug 8p4C Profinet - Pg11 - RJ45 plug 8p4C Profinet - M20 <p>Protection cover grey with lever Coperchio di protezione grigio con leva</p> <p>2 PC = 2 Power contacts</p>	<p>7940.3320.0</p> <p>7940.3420.0</p> <p>7942.3320.0</p> <p>7942.3420.0</p> <p>7980.3320.0</p> <p>7980.3420.0</p> <p>7982.3320.0</p> <p>7982.3420.0</p> <p>7940.3384.0</p> <p>7940.3484.0</p> <p>7803.6885.A</p>	
 <p>IP66/IP67</p> <p>CE (RoHS)</p> <p>Protection cover Coperchio di protezione</p>	<p>The connector is composed by:</p> <ul style="list-style-type: none"> • Insert CAT5 fully shielded • Metal hood HE type black color RAL 9005 with gasket • Adapter with 2 polarization keys • Metal cable gland Pg11 for cable Dia 4-10 mm or M20 for cable Dia 6-14 mm <p>Il connettore è composto da:</p> <ul style="list-style-type: none"> • Inserto CAT5 completamente schermato • Custodia metallica tipo HE, nera RAL 9005 con guarnizione • Adattatore con 2 chiavi di polarizzazione • Pressacavo metallico PG11 per cavi Dia 4-10 mm o M20 per cavi Dia 6-14 mm <p>Hood with - Custodie con:</p> <ul style="list-style-type: none"> - RJ45 plug 8p4C - Pg11 - RJ45 plug 8p4C - M20 - RJ45 plug 8p4C + 2pC - Pg11 - RJ45 plug 8p4C + 2pC - M20 - RJ45 plug 8p8C - Pg11 - RJ45 plug 8p8C - M20 - RJ45 plug 8p8C + 2pC - Pg11 - RJ45 plug 8p8C + 2pC - M20 - RJ45 plug 8p4C Profinet - Pg11 - RJ45 plug 8p4C Profinet - M20 <p>Protection cover black with lever Coperchio di protezione nero con leva</p> <p>2 PC = 2 Power contacts</p>	<p>7940.3320.1</p> <p>7940.3420.1</p> <p>7942.3320.1</p> <p>7942.3420.1</p> <p>7980.3320.1</p> <p>7980.3420.1</p> <p>7982.3320.1</p> <p>7982.3420.1</p> <p>7940.3384.1</p> <p>7940.3484.1</p> <p>7803.6885.1</p>	

Completed male connectors with insulated hood, side entry
 Connettori completi maschio, con custodia isolata ingresso orizzontale

c **RU** us Type 4/4x/12 **SF** US

Part No.
Codice



IP66/IP67



Protection cover
 Coperchio di protezione

The connector is composed by:

- Insert CAT5 fully shielded
- Hood insulated black color with gasket
- Adapter with 2 polarization keys
- Cable gland thermoplastic material black color Pg11 for cable Dia 5-10 mm or M20 for cable Dia 6-12 mm

Il connettore è composto da:

- Inserto CAT5 completamente schermato
- Custodia in materiale isolato colore nero con guarnizione
- Adattatore con 2 chiavi di polarizzazione
- Pressacavo in materiale termoplastico colore nero PG11 per cavi Dia 5-10 mm o M20 per cavi Dia 6-12 mm

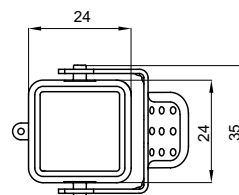
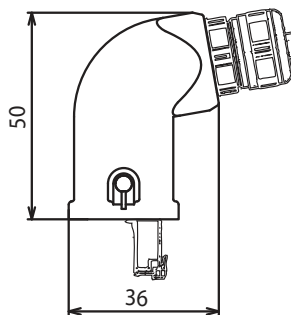
Hood with - Custodie con:

- RJ45 plug 8p4C - Pg11 7940.3312.1
- RJ45 plug 8p4C - M20 7940.3412.1
- RJ45 plug 8p4C + 2pC - Pg11 7942.3312.1
- RJ45 plug 8p4C + 2pC - M20 7942.3412.1
- RJ45 plug 8p8C - Pg11 7980.3312.1
- RJ45 plug 8p8C - M20 7980.3412.1
- RJ45 plug 8p8C + 2pC - Pg11 7982.3312.1
- RJ45 plug 8p8C + 2pC - M20 7982.3412.1
- RJ45 plug 8p4C Profinet - Pg11 7940.3385.1
- RJ45 plug 8p4C Profinet - M20 7940.3485.1

Protection cover black with lever
 Coperchio di protezione nero con leva

7803.6880.1

2 PC = 2 Power contacts



IP66/IP67



Protection cover
 Coperchio di protezione

The connector is composed by:

- Insert CAT5 with 2 additional power contacts, fully shielded
- Hood insulated black color with gasket
- Adapter with 2 polarization keys
- Cable gland thermoplastic material grey color Pg11 for cable Dia 5-10 mm or M20 for cable Dia 6-12 mm

Il connettore è composto da:

- Inserto CAT5 con 2 contatti di potenza aggiuntivi, completamente schermato
- Adattatore con 2 chiavi di polarizzazione
- Custodia in materiale isolato colore grigio con guarnizione
- Pressacavo in materiale termoplastico colore grigio PG11 per cavi Dia 5-10 mm o Dia 6-12 mm


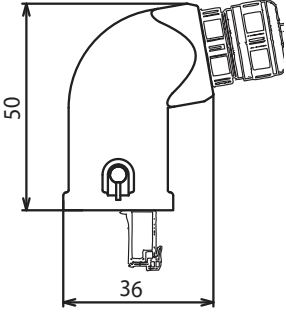
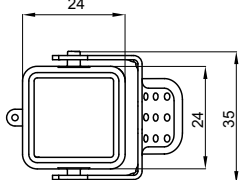

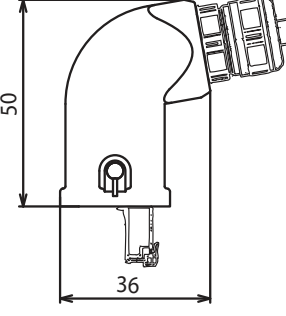
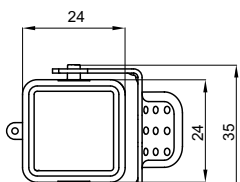
Hood with - Custodie con:

- RJ45 plug 8p4C - Pg11 7940.3312.0
- RJ45 plug 8p4C - M20 7940.3412.0
- RJ45 plug 8p4C + 2pC - Pg11 7942.3312.0
- RJ45 plug 8p4C + 2pC - M20 7942.3412.0
- RJ45 plug 8p8C - Pg11 7980.3312.0
- RJ45 plug 8p8C - M20 7980.3412.0
- RJ45 plug 8p8C + 2pC - Pg11 7982.3312.0
- RJ45 plug 8p8C + 2pC - M20 7982.3412.0
- RJ45 plug 8p4C Profinet - Pg11 7940.3385.0
- RJ45 plug 8p4C Profinet - M20 7940.3485.0

Protection cover grey with lever
 Coperchio di protezione grigio con leva

7803.6880.0

2 PC = 2 Power contacts

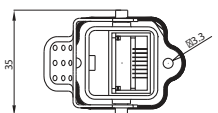
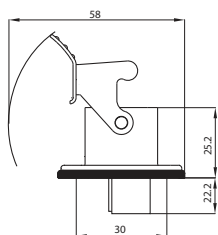
Completed male connectors with metal hood, side entry Connettori completi maschio con custodia metallica, ingresso orizzontale		US Type 4/4x/12	SA US	Part No. Codice
   <p>IP66/IP67</p> <p>CE RoHS</p> <p>Protection cover Coperchio di protezione</p>	<p>The connector is composed by:</p> <ul style="list-style-type: none"> • Insert CAT5 fully shielded • Metal hood STD type grey color RAL 7037 with gasket • Adapter with 2 polarization keys • Metal cable gland Pg11 for cable Dia 4-10 mm or M20 for cable Dia 6-14 mm <p>Il connettore è composto da:</p> <ul style="list-style-type: none"> • Inserto CAT5 completamente schermato • Custodia metallica tipo STD, grigio RAL 7037 con guarnizione • Adattatore con 2 chiavi di polarizzazione • Pressacavo metallico PG11 per cavi Dia 4-10 mm o M20 per cavi Dia 6-14 mm <p>Hood with - Custodie con:</p> <ul style="list-style-type: none"> - RJ45 plug 8p4C - Pg11 - RJ45 plug 8p4C - M20 - RJ45 plug 8p4C + 2pC - Pg11 - RJ45 plug 8p4C + 2pC - M20 - RJ45 plug 8p8C - Pg11 - RJ45 plug 8p8C - M20 - RJ45 plug 8p8C + 2pC - Pg11 - RJ45 plug 8p8C + 2pC - M20 - RJ45 plug 8p4C Profinet - Pg11 - RJ45 plug 8p4C Profinet - M20 <p>Protection cover grey with lever Coperchio di protezione grigio con leva</p> <p>2 PC = 2 Power contacts</p>	<p>7940.3322.0</p> <p>7940.3422.0</p> <p>7942.3322.0</p> <p>7942.3422.0</p> <p>7980.3322.0</p> <p>7980.3422.0</p> <p>7982.3322.0</p> <p>7982.3422.0</p> <p>7940.3386.0</p> <p>7940.3486.0</p> <p>7803.6885.A</p>		
   <p>IP66/IP67</p> <p>CE RoHS</p> <p>Protection cover Coperchio di protezione</p>	<p>The connector is composed by:</p> <ul style="list-style-type: none"> • Insert CAT5 fully shielded • Metal hood HE type black color RAL 9005 with gasket • Adapter with 2 polarization keys • Metal cable gland Pg11 for cable Dia 4-10 mm or M20 for cable Dia 6-14 mm <p>Il connettore è composto da:</p> <ul style="list-style-type: none"> • Inserto CAT5 completamente schermato • Custodia metallica tipo HE, nera RAL 9005 con guarnizione • Adattatore con 2 chiavi di polarizzazione • Pressacavo metallico PG11 per cavi Dia 4-10 mm o M20 per cavi Dia 6-14 mm <p>Hood with - Custodie con:</p> <ul style="list-style-type: none"> - RJ45 plug 8p4C - Pg11 - RJ45 plug 8p4C - M20 - RJ45 plug 8p4C + 2pC - Pg11 - RJ45 plug 8p4C + 2pC - M20 - RJ45 plug 8p8C - Pg11 - RJ45 plug 8p8C - M20 - RJ45 plug 8p8C + 2pC - Pg11 - RJ45 plug 8p8C + 2pC - M20 - RJ45 plug 8p4C Profinet - Pg11 - RJ45 plug 8p4C Profinet - M20 <p>Protection cover black with lever Coperchio di protezione nero con leva</p> <p>2 PC = 2 Power contacts</p>	<p>7940.3322.1</p> <p>7940.3422.1</p> <p>7942.3322.1</p> <p>7942.3422.1</p> <p>7980.3322.1</p> <p>7980.3422.1</p> <p>7982.3322.1</p> <p>7982.3422.1</p> <p>7940.3386.1</p> <p>7940.3486.1</p> <p>7803.6885.1</p>		

Completed female connectors with insulated housing
 Connettori completi femmina con custodia isolata

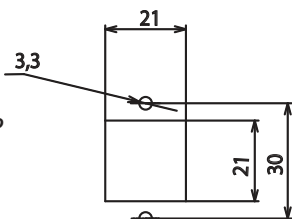
UL Type 4/4x/12



Part No.
Codice



Panel cut out
Foratura del pannello



IP66/IP67



The connector is composed by:

- Insert CAT5 fully shielded, RJ socket/RJ socket
- Bulkhead housing insulated material black color RAL 9005
- Adapter with 2 polarization keys

Il connettore è composto da:

- Inserto CAT5 completamente schermato, presa RJ45 / presa RJ45
- Custodia da incasso in materiale isolante colore nero RAL 9005
- Adattatore con 2 chiavi di polarizzazione

Hood with - Custodie con:

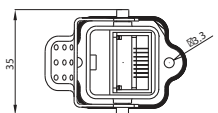
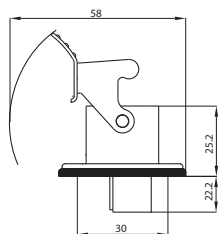
- RJ45 socket/ RJ45 socket 8p4C
- RJ45 socket/ RJ45 socket 8p4C+2pC
- RJ45 socket/ RJ45 socket 8p8C
- RJ45 socket/ RJ45 socket 8p8C+2pC

7940.3316.1
7942.3316.1
7980.3316.1
7982.3416.1

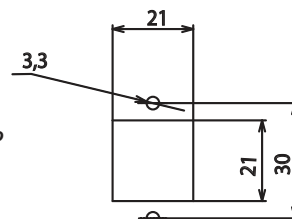
Protection cover with gasket, black
Coperchio di protezione con guarnizione, nero

7803.6801.C

Insert 8p4C = Crossover wiring see page 09.04
 Insert 8p8C = pin to pin wiring see page 09.04
 2 PC = 2 Power contact



Panel cut out
Foratura del pannello



IP66/IP67



The connector is composed by:

- Insert CAT5 fully shielded, RJ socket/RJ socket
- Bulkhead housing insulated material grey color RAL 9002
- Adapter with 2 polarization keys

Il connettore è composto da:

- Inserto CAT5 completamente schermato, presa RJ45 / presa RJ45
- Custodia da incasso in materiale isolante colore grigio RAL 9002
- Adattatore con 2 chiavi di polarizzazione

Hood with - Custodie con:

- RJ45 socket/ RJ45 socket 8p4C
- RJ45 socket/ RJ45 socket 8p4C+2pC
- RJ45 socket/ RJ45 socket 8p8C
- RJ45 socket/ RJ45 socket 8p8C+2pC

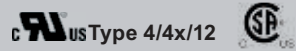
7940.3316.0
7942.3316.0
7980.3316.0
7982.3416.0

Protection cover with gasket, grey
Coperchio di protezione con guarnizione, grigio

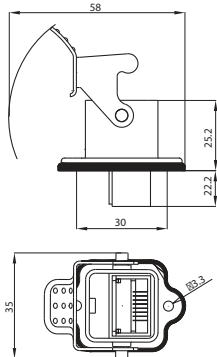
7803.6801.B

Insert 8p4C = Crossover wiring see page 09.04
 Insert 8p8C = pin to pin wiring see page 09.04
 2 PC = 2 Power contact

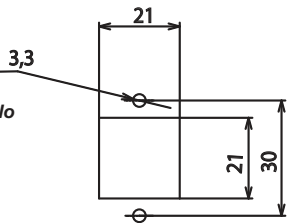
Completed female connectors with metal housing
 Connettori completi femmina con custodia metallica



Part No.
Codice



Panel cut out
Foratura del pannello



IP66/IP67



The connector is composed by:

- Insert CAT5 fully shielded, RJ socket/RJ socket
- Bulkhead metal housing STD type grey color RAL 7037

• Adapter with 2 polarization keys

Il connettore è composto da:

- *Inserto CAT5 completamente schermato, presa RJ45 / presa RJ45*
- *Custodia metallica da incasso tipo STD colore grigio RAL 7037*
- *Adattatore con 2 chiavi di polarizzazione*

Hood with - Custodie con:

- RJ45 socket/ RJ45 socket 8p4C
- RJ45 socket/ RJ45 socket 8p4C+2pC
- RJ45 socket/ RJ45 socket 8p8C
- RJ45 socket/ RJ45 socket 8p8C+2pC

7940.3324.0
7942.3324.0
7980.3324.0
7982.3424.0

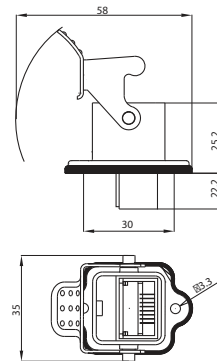
Protection cover with gasket, grey
Coperchio di protezione con guarnizione, grigio

7803.6802.B

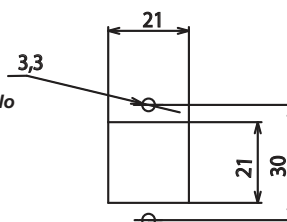
Insert 8p4C = Crossover wiring see page 09.04

Insert 8p8C = pin to pin wiring see page 09.04

2 PC = 2 Power contact



Panel cut out
Foratura del pannello



IP66/IP67



The connector is composed by:

- Insert CAT5 fully shielded, RJ socket/RJ socket
- Bulkhead metallic housing HE type black color RAL 9005

• Adapter with 2 polarization keys

Il connettore è composto da:

- *Inserto CAT5 completamente schermato, presa RJ45 / presa RJ45*
- *Custodia metallica da incasso tipo HE colore nero RAL 9005*
- *Adattatore con 2 chiavi di polarizzazione*

Hood with - Custodie con:

- RJ45 socket/ RJ45 socket 8p4C
- RJ45 socket/ RJ45 socket 8p4C+2pC
- RJ45 socket/ RJ45 socket 8p8C
- RJ45 socket/ RJ45 socket 8p8C+2pC

7940.3324.1
7942.3324.1
7980.3324.1
7982.3424.1

Protection cover with gasket, black
Coperchio di protezione con guarnizione, nero








7803.6802.C

Insert 8p4C = Crossover wiring see page 09.04

Insert 8p8C = pin to pin wiring see page 09.04

2 PC = 2 Power contact

Technical characteristics and cable assembling	Caratteristiche tecniche ed assemblaggio dei cavi
<ul style="list-style-type: none"> • Molex cables for Industrial Ethernet Cabling ensure the best electrical and mechanical performances. • All cables have double shield: aluminium foil + braided tinned copper wires with high percentage of covering. • They meet the standard ANSI/EIA/TIA-568-C0/C1/C2, ISO/EN11801-2, EN50173.2, ISO/IEC24702 • The cables have PVC jacket grey colour, or PUR (Polyurethane) jacket green colour to identify the PUR material that has high mechanical strength resistance. • Some cables are suitable for cable chain and can resist from 100.000 to 2.5 million of bending cycles, according to type. • The cable Profinet compliant is available as well as the connector to get "RJ45 Patch Cords IP66/IP67" suitable for Profinet applications. • The RJ45 plugs have 4 contacts, or 8 contacts with or without 2 power contacts + shield. • The patch cords are assembled with hood made with thermoplastic material or aluminium alloy grey or black coated, standard or for harsh environmental applications. • The hoods have top entry or side entry: the side entry hood avoids dangerous bending of cable, so extending the life of cable itself and reducing the space necessary for the connection. • Patch cords with IP20 degree with simple boot to protect the RJ plug are also available. • Patch cords IP20 without boot are also available: they are suitable to be installed directly inside the RJ45 adapter and then into the 3A "21x21" hood. Molex hoods, with top and side entry, with M20 plastic or metal Molex cable glands, allow the installation of the IP20 patch cord with RJ plug already crimped on cable. This feature helps a lot the user, that don't need to crimp the cable on RJ plug (operation that needs care and a skills). • All tools necessary for professional crimping are available in the section 60 of this catalogue. The crimping tool Part no. 8500.0801.0 is the only tool that permits to crimp both signal contacts and the 2 power contacts at the other side of RJ45 industrial plug. This crimping tool is also suitable to crimp the strain relief of shield over the cable shield in the right manner, avoiding any wrong strength on cable, that would reduce electrical and mechanical performances. 	<ul style="list-style-type: none"> • I cavi per il cablaggio Ethernet Industriale di Molex hanno le migliori caratteristiche elettriche e meccaniche. • Tutti i cavi hanno doppio schermo: foglio di alluminio più schermo costituito da fili di rame stagnati intrecciati con alta percentuale di copertura. • Essi sono conformi alle Norme ANSI/EIA/TIA-568-C0/C1/C2, ISO/EN11801-2, EN50173.2, ISO/IEC24702 • I cavi hanno guaina in PVC grigio, o guaina in PUR (Poliuretano) verde, per contraddistinguere il materiale PUR che possiede caratteristiche meccaniche altamente performanti. • Alcuni cavi sono adatti per essere installati in catene portacavi e possono resistere a cicli di piega da 100.000 fino a 2.5 milioni secondo il tipo. • E' disponibile il cavo "PROFINET Compliant" per ottenere insieme al connettore adatto "RJ45 Patch Cords IP66/IP67" adatti per applicazioni PROFINET. • I connettori maschi RJ45 possono avere 4 o 8 contatti di segnale con o senza i 2 contatti potenza + schermo. • Le patch cords sono assemblate in custodie sia in materiale termoplastico che in lega di alluminio verniciate colore grigio o nero, tipo standard o HE per ambienti aggressivi. • Le custodie sono con entrata cavo verticale o laterale: le custodie con entrata cavo laterale possono evitare pericolose pieghe del cavo allungando la vita del cavo stesso e riducendo lo spazio necessario per la connessione. • Sono disponibili Patch cords IP20 con assemblato un semplice passacavo per proteggere il connettore RJ45. • Sono disponibili anche Patch cords IP20 senza passacavo: esse sono adatte per essere installate direttamente nell'adattatore per RJ45 e quindi nelle custodie 3A "21x21". Le custodie mobili Molex sia con ingresso cavo verticale che laterale, con pressacavi Molex M20 sia del tipo plastico che metallico, permettono l'installazione delle patch cords IP20 aventi i connettori RJ già assemblati. Questa caratteristica può aiutare molto l'utilizzatore che non ha la necessità di doversi attrezzare per la crimpatura dei connettori RJ, operazione che necessita attenzione ed un minimo addestramento. • Sono comunque disponibili tutti gli attrezzi professionali necessari per la crimpatura dei connettori RJ nella sezione 60 di questo catalogo. La pinza a crimpare, codice 8500.0801.0, è la sola che permette di crimpare i contatti di segnale ed i contatti di potenza posti sull'altro lato del connettore RJ45 di tipo industriale. La pinza consente anche di crimpare il fermacavo dello schermo in modo corretto senza inutili pressioni sul cavo che ne riducono le caratteristiche elettriche e meccaniche.

100 Mbit, CAT5e digital signal cables <i>Cavi per segnali digitali CAT5e da 100Mbit</i>		Jacket <i>Guaina</i>	Cable chain	Part No. <i>Codice</i>
 <p>Signal: 2 x twisted pair AWG 24 / 0,20 mm² Power: - Working temperature: -20°C + +80°C Bending radius: 50 mm min. Bending cycle: - For RJ45 plug: 2140.3363.0 NEXT: >32dB/100m <i>Segnale: 2 x coppie twistate AWG 24 / 0,20 mm²</i> <i>Potenza: -</i> <i>Temperatura di lavoro: -20°C + +80°C</i> <i>Raggio curvatura: 50 mm minimo</i> <i>Cicli piega: -</i> <i>Per spine RJ45: 2140.3363.0</i> <i>NEXT: >32dB/100m</i></p>		<p>PVC grey <i>PVC grigio</i></p> <p>DIA 6,9 mm</p>	<p>No</p>	<p>2140.3211.0</p>
 <p>Signal: 4 conductors AWG 22 / 0,34 mm² Power: - Working temperature: -20°C + +80°C Bending radius: 100 mm min. Bending cycle: 2,5 million For RJ45 plug: 2140.3364.0 NEXT: >50dB/100m <i>Segnale: 4 conduttori AWG 22 / 0,34 mm²</i> <i>Potenza: -</i> <i>Temperatura di lavoro: -20°C + +80°C</i> <i>Raggio curvatura: 100 mm minimo</i> <i>Cicli piega: 2,5 milioni</i> <i>Per spine RJ45: 2140.3364.0</i> <i>NEXT: >50dB/100m</i> PROFINET compliant</p>		<p>PUR green <i>PUR verde</i></p> <p>DIA 6,9 mm</p> <p>LSZH</p>	<p>Yes</p>	<p>2140.3213.0</p>
 <p>Signal: 2 x twisted pair AWG 24 / 0,20 mm² Power: 2 conductor AWG 22 / 0,34 mm² Working temperature: -20°C + +80°C Bending radius: 35 mm min. Bending cycle: 100.000 max For RJ45 plug: 2142.3363.0 NEXT: >32dB/100m <i>Segnale: 2 x coppie twistate AWG 24 / 0,20 mm²</i> <i>Potenza: 2 conduttori AWG 22 / 0,34 mm²</i> <i>Temperatura di lavoro: -20°C + +80°C</i> <i>Raggio curvatura: 35 mm minimo</i> <i>Cicli piega: 100.000 massimo</i> <i>Per spine RJ45: 2142.3363.0</i> <i>NEXT: >32dB/100m</i></p>		<p>PUR green <i>PUR verde</i></p> <p>DIA 6,9 mm</p>	<p>No</p>	<p>2142.3215.0</p>
 <p>Signal: 2 x twisted pair AWG 26 / 0,14 mm² Power: 2 conductor AWG 22 / 0,34 mm² Working temperature: -20°C + +80°C Bending radius: 35 mm min. Bending cycle: 1 million max For RJ45 plug: 2142.3363.0 NEXT: >32dB/100m <i>Segnale: 2 x coppie twistate AWG 26 / 0,14 mm²</i> <i>Potenza: 2 conduttori AWG 22 / 0,34 mm²</i> <i>Temperatura di lavoro: -20°C + +80°C</i> <i>Raggio curvatura: 35 mm minimo</i> <i>Cicli piega: 1 milione massimo</i> <i>Per spine RJ45: 2142.3363.0</i> <i>NEXT: >32dB/100m</i></p>		<p>PUR green <i>PUR verde</i></p> <p>DIA 6,8 mm</p> <p>LSZH</p>	<p>Yes</p>	<p>2142.3217.0</p>
 <p>Signal: 4 x twisted pair AWG 26 / 0,14 mm² Power: - Working temperature: -20°C + +70°C Bending radius: 68 mm min. Bending cycle: 1 million max For RJ45 plug: 2180.3363.0 NEXT: >32dB/100m <i>Segnale: 4 x coppie twistate AWG 26 / 0,14 mm²</i> <i>Potenza: -</i> <i>Temperatura di lavoro: -20°C + +80°C</i> <i>Raggio curvatura: 68 mm min.</i> <i>Cicli piega: 1 milione massimo</i> <i>Per spine RJ45: 2180.3363.0</i> <i>NEXT: >32dB/100m</i></p>		<p>PUR green <i>PUR verde</i></p> <p>DIA 6,8 mm</p> <p>LSZH</p>	<p>Yes</p>	<p>2180.3218.0</p>
 <p>Signal: 4 x twisted pair AWG 26 / 0,14 mm² Power: 2 conductors AWG 23 / 0,25 mm² Working temperature: -20°C + +70°C Bending radius: 70 mm min. Bending cycle: 1 million max For RJ45 plug: 2182.3363.0 NEXT: >32dB/100m <i>Segnale: 2 x coppie twistate AWG 26 / 0,14 mm²</i> <i>Potenza: 2 conduttori AWG 23 / 0,25 mm²</i> <i>Temperatura di lavoro: -20°C + +80°C</i> <i>Raggio curvatura: 70 mm minimo</i> <i>Cicli piega: 1 milione massimo</i> <i>Per spine RJ45: 2182.3363.0</i> <i>NEXT: >35dB/100m</i></p>		<p>PUR green <i>PUR verde</i></p> <p>DIA 6,8 mm</p> <p>LSZH</p>	<p>Yes</p>	<p>2182.3219.0</p>

RJ45 plug
Spina RJ45

IP20

RJ45 plug
Spina RJ45



CAT5 (CAT5e) / Class D up to 100 MHz acc. to ISO/IEC 11802, EN 50173-1 CAT5 (CAT5e) / classe D fino a 100 MHz conforme ISO/IEC 11802, EN 50173-1	Signal contacts Contatti segnale	Power contacts Contatti potenza	Jacket Guaina	Length m. Lunghezza	Part No. Codice	
Wiring signal: 4 poles 1:1 AWG 24 Wiring power: - Transmission performance: CAT5 / Class D Transmission rate: 10/100 Mbit/s Shielding: fully shielded Limiting temperature: -20°C + +70°C Cable: 2140.3211.0 / connectors: 2140.3363.0 Conduuttori di segnale: 4 poli 1:1 AWG 24 Conduuttori di potenza: - Capacità di trasmissione: CAT5 / Class D Velocità di trasmissione: 10/100 Mbit/s Limiti di temperatura: -20°C + +70°C Cavo: 2140.3211.0 / connettori: 2140.3363.0	8P4C Wiring 1 → 1 2 → 2 3 → 3 4 → 4 5 → 5 6 → 6 7 → 7 8 → 8 A → A B → B VS → VS	4	-	PVC grey PVC grigio DIA 6,9 mm	0.5 1.0 1.5 2.0 3.0 5.0 10	2240.3244.0 2240.3244.1 2240.3244.B 2240.3244.2 2240.3244.3 2240.3244.5 2240.3244.A
Wiring signal: 4 poles 1:1 AWG 22 Wiring power: - Transmission performance: CAT5 / Class D Transmission rate: 10/100 Mbit/s Shielding: fully shielded Limiting temperature: -20°C + +70°C Cable: 2140.3213.0 / connectors: 2140.3364.0 Conduuttori di segnale: 4 poli 1:1 AWG 22 Conduuttori di potenza: - Capacità di trasmissione: CAT5 / Class D Velocità di trasmissione: 10/100 Mbit/s Limiti di temperatura: -20°C + +70°C Cavo: 2140.3213.0 / connettori: 2140.3364.0	8P4C Wiring 1 → 1 yellow 2 → 2 orange 3 → 3 white 4 → 4 5 → 5 6 → 6 blue 7 → 7 8 → 8 A → A B → B VS → VS	4	PROFINET compliant	PUR Green PUR Verde DIA 6,9 mm LSZH	0.5 1.0 1.5 2.0 3.0 5.0 10	2240.3245.0 2240.3245.1 2240.3245.B 2240.3245.2 2240.3245.3 2240.3245.5 2240.3245.A
Wiring signal: 4 poles 1:1 AWG 26 Wiring power: 2 poles 1:1 AWG 22 Transmission performance: CAT5 / Class D Transmission rate: 10/100 Mbit/s Shielding: fully shielded Limiting temperature: -20°C + +70°C Cable: 2142.3217.0 / connectors: 2142.3363.0 Conduuttori di segnale: 4 poli 1:1 AWG 26 Conduuttori di potenza: 2 poli 1:1 AWG 22 Capacità di trasmissione: CAT5 / Class D Velocità di trasmissione: 10/100 Mbit/s Limiti di temperatura: -20°C + +70°C Cavo: 2142.3217.0 / connettori: 2142.3363.0	8P4C + 2 PC Wiring 1 → 1 2 → 2 3 → 3 4 → 4 5 → 5 6 → 6 7 → 7 8 → 8 A → A B → B VS → VS	4	2	PUR green PUR verde DIA 6,8 mm LSZH	0.5 1.0 1.5 2.0 3.0 5.0 10	2242.3246.0 2242.3246.1 2242.3246.B 2242.3246.2 2242.3246.3 2242.3246.5 2242.3246.A
Wiring signal: 8 poles 1:1 AWG 26 Wiring power: - Transmission performance: CAT5 / Class D Transmission rate: 10/100 Mbit/s Shielding: fully shielded Limiting temperature: -20°C + +70°C Cable: 2180.3218.0 / connectors: 2180.3363.0 Conduuttori di segnale: 8 poli 1:1 AWG 26 Conduuttori di potenza: - Capacità di trasmissione: CAT5 / Class D Velocità di trasmissione: 10/100 Mbit/s Limiti di temperatura: -20°C + +70°C Cavo: 2180.3218.0 / connettori: 2180.3363.0	8P8C Wiring 1 → 1 2 → 2 3 → 3 4 → 4 5 → 5 6 → 6 7 → 7 8 → 8 A → A B → B VS → VS	8	-	PUR green PUR verde DIA 6,8 mm LSZH	0.5 1.0 1.5 2.0 3.0 5.0 10	2280.3247.0 2280.3247.1 2280.3247.B 2280.3247.2 2280.3247.3 2280.3247.5 2280.3247.A
Wiring signal: 8 pole 1:1 AWG 26 Wiring power: 2 poles 1:1 AWG 23 Transmission performance: CAT5 / Class D Transmission rate: 10/100 Mbit/s Shielding: fully shielded Limiting temperature: -20°C + +70°C Cable: 2182.3219.0 / connectors: 2182.3363.0 Conduuttori di segnale: 4 poli 1:1 AWG 26 Conduuttori di potenza: 2 poli 1:1 AWG 23 Capacità di trasmissione: CAT5 / Class D Velocità di trasmissione: 10/100 Mbit/s Limiti di temperatura: -20°C + +70°C Cavo: 2182.3219.0 / connettori: 2182.3363.0	8P8C + 2 PC Wiring 1 → 1 2 → 2 3 → 3 4 → 4 5 → 5 6 → 6 7 → 7 8 → 8 A → A B → B VS → VS	8	2	PUR green PUR verde DIA 6,9 mm LSZH	0.5 1.0 1.5 2.0 3.0 5.0 10	2282.3248.0 2282.3248.1 2282.3248.B 2282.3248.2 2282.3248.3 2282.3248.5 2282.3248.A

RJ45 plug with boot 2100.3367.1
Spina RJ45 con passacavo 2100.3367.1

IP20

RJ45 plug with boot 2100.3367.1
Spina RJ45 con passacavo 2100.3367.1



CAT5 (CAT5e) / Class D up to 100 MHz acc. to ISO/IEC 11802, EN 50173-1 CAT5 (CAT5e) / classe D fino a 100 MHz conforme ISO/IEC 11802, EN 50173-1	Signal contacts Contatti segnale	Power contacts Contatti potenza	Jacket Guaina	Length m. Lunghezza	Part No. Codice
<p>Wiring signal: 4 poles 1:1 AWG 24 Wiring power: - Transmission performance: CAT5 / Class D Transmission rate: 10/100 Mbit/s Shielding: fully shielded Limiting temperature: -20°C + +80°C Cable: 2140.3211.0 / connectors: 2140.3363.0 + Cup Conduttori di segnale: 4 poli 1:1 AWG 24 Conduttori di potenza: - Capacità di trasmissione: CAT5 / Class D Velocità di trasmissione: 10/100 Mbit/s Limiti di temperatura: -20°C + +70°C Cavo: 2140.3211.0 / connettori: 2140.3363.0 + Cup</p> <p>8P4C Wiring</p> <pre> 1 ----- 1 2 ----- 2 3 ----- 3 4 ----- 4 5 ----- 5 6 ----- 6 7 ----- 7 8 ----- 8 A ----- A B ----- B VS ----- VS </pre>	4	-	PVC grey PVC grigio DIA 6,9 mm	0.5 1.0 1.5 2.0 3.0 5.0 10	2340.3244.0 2340.3244.1 2340.3244.B 2340.3244.2 2340.3244.3 2340.3244.5 2340.3244.A
<p>Wiring signal: 4 poles 1:1 AWG 22 Wiring power: - Transmission performance: CAT5 / Class D Transmission rate: 10/100 Mbit/s Shielding: fully shielded Limiting temperature: -20°C + +70°C Cable: 2140.3213.0 / connectors: 2140.3364.0 + Cup Conduttori di segnale: 4 poli 1:1 AWG 22 Conduttori di potenza: - Capacità di trasmissione: CAT5 / Class D Velocità di trasmissione: 10/100 Mbit/s Limiti di temperatura: -20°C + +80°C Cavo: 2140.3213.0 / connettori: 2140.3364.0 + Cup</p> <p>8P4C Wiring</p> <pre> 1 ----- 1 2 ----- 2 3 ----- 3 4 ----- 4 5 ----- 5 6 ----- 6 7 ----- 7 8 ----- 8 A ----- A B ----- B VS ----- VS </pre>	4 PROFINET compliant	-	PUR Green PUR Verde DIA 6,9 mm LSZH	0.5 1.0 1.5 2.0 3.0 5.0 10	2340.3245.0 2340.3245.1 2340.3245.B 2340.3245.2 2340.3245.3 2340.3245.5 2340.3245.A
<p>Wiring signal: 4 poles 1:1 AWG 26 Wiring power: 2 poles 1:1 AWG 22 Transmission performance: CAT5 / Class D Transmission rate: 10/100 Mbit/s Shielding: fully shielded Limiting temperature: -20°C + +70°C Cable: 2142.3217.0 / connectors: 2142.3363.0 + Cup Conduttori di segnale: 4 poli 1:1 AWG 26 Conduttori di potenza: 2 poli 1:1 AWG 22 Capacità di trasmissione: CAT5 / Class D Velocità di trasmissione: 10/100 Mbit/s Limiti di temperatura: -20°C + +70°C Cavo: 2142.3217.0 / connettori: 2142.3363.0 + Cup</p> <p>8P4C + 2 PC Wiring</p> <pre> 1 ----- 1 2 ----- 2 3 ----- 3 4 ----- 4 5 ----- 5 6 ----- 6 7 ----- 7 8 ----- 8 A ----- A B ----- B VS ----- VS </pre>	4	2	PUR green PUR verde DIA 6,8 mm LSZH	0.5 1.0 1.5 2.0 3.0 5.0 10	2342.3246.0 2342.3246.1 2342.3246.B 2342.3246.2 2342.3246.3 2342.3246.5 2342.3246.A
<p>Wiring signal: 8 poles 1:1 AWG 26 Wiring power: - Transmission performance: CAT5 / Class D Transmission rate: 10/100 Mbit/s Shielding: fully shielded Limiting temperature: -20°C + +70°C Cable: 2180.3218.0 / connectors: 2180.3363.0 + Cup Conduttori di segnale: 8 poli 1:1 AWG 26 Conduttori di potenza: - Capacità di trasmissione: CAT5 / Class D Velocità di trasmissione: 10/100 Mbit/s Limiti di temperatura: -20°C + +70°C Cavo: 2180.3218.0 / connettori: 2180.3363.0 + Cup</p> <p>8P8C Wiring</p> <pre> 1 ----- 1 2 ----- 2 3 ----- 3 4 ----- 4 5 ----- 5 6 ----- 6 7 ----- 7 8 ----- 8 A ----- A B ----- B VS ----- VS </pre>	8	-	PUR green PUR verde DIA 6,8 mm LSZH	0.5 1.0 1.5 2.0 3.0 5.0 10	2380.3247.0 2380.3247.1 2380.3247.B 2380.3247.2 2380.3247.3 2380.3247.5 2380.3247.A
<p>Wiring signal: 8 pole 1:1 AWG 26 Wiring power: 2 poles 1:1 AWG 23 Transmission performance: CAT5 / Class D Transmission rate: 10/100 Mbit/s Shielding: fully shielded Limiting temperature: -20°C + +70°C Cable: 2182.3219.0 / connectors: 2182.3363.0 + Cup Conduttori di segnale: 4 poli 1:1 AWG 26 Conduttori di potenza: 2 poli 1:1 AWG 23 Capacità di trasmissione: CAT5 / Class D Velocità di trasmissione: 10/100 Mbit/s Limiti di temperatura: -20°C + +70°C Cavo: 2182.3219.0 / connettori: 2182.3363.0 + Cup</p> <p>8P8C + 2 PC Wiring</p> <pre> 1 ----- 1 2 ----- 2 3 ----- 3 4 ----- 4 5 ----- 5 6 ----- 6 7 ----- 7 8 ----- 8 A ----- A B ----- B VS ----- VS </pre>	8	2	PUR green PUR verde DIA 6,9 mm LSZH	0.5 1.0 1.5 2.0 3.0 5.0 10	2382.3248.0 2382.3248.1 2382.3248.B 2382.3248.2 2382.3248.3 2382.3248.5 2382.3248.A

- RJ45 plug
Spina RJ45
- STD insulated hood 3A «21x21» black
Custodia isolata STD 3A «21x21» nera
- PA66 cable gland black M20
Passacavo PA66 M20 nero

IP66 / IP67

- RJ45 plug
Spina RJ45
- STD insulated hood 3A «21x21» black
Custodia isolata STD 3A «21x21» nera
- PA66 cable gland black M20
Passacavo PA66 M20 nero



CAT5 (CAT5e) / Class D up to 100 MHz acc. to ISO/IEC 11802, EN 50173-1 CAT5 (CAT5e) / classe D fino a 100 MHz conforme ISO/IEC 11802, EN 50173-1	Signal contacts Contatti segnale	Power contacts Contatti potenza	Jacket Guaina	Length m. Lunghezza	Part No. Codice	
Wiring signal: 4 poles 1:1 AWG 24 Wiring power: - Transmission performance: CAT5 / Class D Transmission rate: 10/100 Mbit/s Shielding: fully shielded Limiting temperature: -20°C + +70°C Cable: 2140.3211.0 / connectors: 7940.3410.1 Condottori di segnale: 4 poli 1:1 AWG 24 Condottori di potenza: - Capacità di trasmissione: CAT5 / Class D Velocità di trasmissione: 10/100 Mbit/s Limiti di temperatura: -20°C + +70°C Cavo: 2140.3211.0 / connettori: 7940.3410.1	8P4C Wiring 1 ——— 1 2 ——— 2 3 ——— 3 4 ——— 4 5 ——— 5 6 ——— 6 7 ——— 7 8 ——— 8 A ——— A B ——— B VS ——— VS	4	-	PVC grey PVC grigio DIA 6,9 mm	0.5 1.0 1.5 2.0 3.0 5.0 10	2440.3244.0 2440.3244.1 2440.3244.B 2440.3244.2 2440.3244.3 2440.3244.5 2440.3244.A
Wiring signal: 4 poles 1:1 AWG 22 Wiring power: - Transmission performance: CAT5 / Class D Transmission rate: 10/100 Mbit/s Shielding: fully shielded Limiting temperature: -20°C + +70°C Cable: 2140.3213.0 / connectors: 7940.3482.1 Condottori di segnale: 4 poli 1:1 AWG 22 Condottori di potenza: - Capacità di trasmissione: CAT5 / Class D Velocità di trasmissione: 10/100 Mbit/s Limiti di temperatura: -20°C + +70°C Cavo: 2140.3213.0 / connettori: 7940.3482.1	8P4C Wiring 1 ——— 1 2 ——— 2 3 ——— 3 4 ——— 4 5 ——— 5 6 ——— 6 7 ——— 7 8 ——— 8 A ——— A B ——— B VS ——— VS	4	PROFINET compliant	PUR Green PUR Verde DIA 6,9 mm LSZH	0.5 1.0 1.5 2.0 3.0 5.0 10	2440.3245.0 2440.3245.1 2440.3245.B 2440.3245.2 2440.3245.3 2440.3245.5 2440.3245.A
Wiring signal: 4 poles 1:1 AWG 26 Wiring power: 2 poles 1:1 AWG 22 Transmission performance: CAT5 / Class D Transmission rate: 10/100 Mbit/s Shielding: fully shielded Limiting temperature: -20°C + +70°C Cable: 2142.3217.0 / connectors: 7942.3410.1 Condottori di segnale: 4 poli 1:1 AWG 26 Condottori di potenza: 2 poli 1:1 AWG 22 Capacità di trasmissione: CAT5 / Class D Velocità di trasmissione: 10/100 Mbit/s Limiti di temperatura: -20°C + +70°C Cavo: 2142.3217.0 / connettori: 7942.3410.1	8P4C + 2 PC Wiring 1 ——— 1 2 ——— 2 3 ——— 3 4 ——— 4 5 ——— 5 6 ——— 6 7 ——— 7 8 ——— 8 A ——— A B ——— B VS ——— VS	4	2	PUR green PUR verde DIA 6,8 mm LSZH	0.5 1.0 1.5 2.0 3.0 5.0 10	2442.3246.0 2442.3246.1 2442.3246.B 2442.3246.2 2442.3246.3 2442.3246.5 2442.3246.A
Wiring signal: 8 poles 1:1 AWG 26 Wiring power: - Transmission performance: CAT5 / Class D Transmission rate: 10/100 Mbit/s Shielding: fully shielded Limiting temperature: -20°C + +70°C Cable: 2180.3218.0 / connectors: 7980.3410.1 Condottori di segnale: 8 poli 1:1 AWG 26 Condottori di potenza: - Capacità di trasmissione: CAT5 / Class D Velocità di trasmissione: 10/100 Mbit/s Limiti di temperatura: -20°C + +70°C Cavo: 2180.3218.0 / connettori: 7980.3410.1	8P8C Wiring 1 ——— 1 2 ——— 2 3 ——— 3 4 ——— 4 5 ——— 5 6 ——— 6 7 ——— 7 8 ——— 8 A ——— A B ——— B VS ——— VS	8	-	PUR green PUR verde DIA 6,8 mm LSZH	0.5 1.0 1.5 2.0 3.0 5.0 10	2480.3247.0 2480.3247.1 2480.3247.B 2480.3247.2 2480.3247.3 2480.3247.5 2480.3247.A
Wiring signal: 8 pole 1:1 AWG 26 Wiring power: 2 poles 1:1 AWG 23 Transmission performance: CAT5 / Class D Transmission rate: 10/100 Mbit/s Shielding: fully shielded Limiting temperature: -20°C + +70°C Cable: 2182.3219.0 / connectors: 7982.3410.1 Condottori di segnale: 4 poli 1:1 AWG 26 Condottori di potenza: 2 poli 1:1 AWG 23 Capacità di trasmissione: CAT5 / Class D Velocità di trasmissione: 10/100 Mbit/s Limiti di temperatura: -20°C + +70°C Cavo: 2182.3219.0 / connettori: 7982.3410.1	8P8C + 2 PC Wiring 1 ——— 1 2 ——— 2 3 ——— 3 4 ——— 4 5 ——— 5 6 ——— 6 7 ——— 7 8 ——— 8 A ——— A B ——— B VS ——— VS	8	2	PUR green PUR verde DIA 6,9 mm LSZH	0.5 1.0 1.5 2.0 3.0 5.0 10	2482.3248.0 2482.3248.1 2482.3248.B 2482.3248.2 2482.3248.3 2482.3248.5 2482.3248.A

- RJ45 plug
Spina RJ45
- STD metal hood 3A «21x21» grey RAL 7037
Custodia metallica STD 3A «21x21» grigia RAL 7037
- Metal cable glands M20
Pressacavo metallico M20

IP66 / IP67

- RJ45 plug
Spina RJ45
- STD metal hood 3A «21x21» grey RAL 7037
Custodia metallica STD 3A «21x21» grigia RAL 7037
- Metal cable glands M20
Pressacavo metallico M20



CAT5 (CAT5e) / Class D up to 100 MHz acc. to ISO/IEC 11802, EN 50173-1 CAT5 (CAT5e) / classe D fino a 100 MHz conforme ISO/IEC 11802, EN 50173-1	Signal contacts Contatti segnale	Power contacts Contatti potenza	Jacket Guaina	Length m. Lunghezza	Part No. Codice	
Wiring signal: 4 poles 1:1 AWG 24 Wiring power: - Transmission performance: CAT5 / Class D Transmission rate: 10/100 Mbit/s Shielding: fully shielded Limiting temperature: -20°C + +70°C Cable: 2140.3211.0 / connectors: 7940.3420.0 Condottori di segnale: 4 poli 1:1 AWG 24 Condottori di potenza: - Capacità di trasmissione: CAT5 / Class D Velocità di trasmissione: Limiti di temperatura: -20°C + +70°C Cavo: 2140.3211.0 / connettori: 7940.3420.0	8P4C Wiring 1 ——— 1 2 ——— 2 3 ——— 3 4 ——— 4 5 ——— 5 6 ——— 6 7 ——— 7 8 ——— 8 A ——— A B ——— B VS ——— VS	4	-	PVC grey PVC grigio DIA 6,9 mm	0.5 1.0 1.5 2.0 3.0 5.0 10	2540.3244.0 2540.3244.1 2540.3244.B 2540.3244.2 2540.3244.3 2540.3244.5 2540.3244.A
Wiring signal: 4 poles 1:1 AWG 22 Wiring power: - Transmission performance: CAT5 / Class D Transmission rate: 10/100 Mbit/s Shielding: fully shielded Limiting temperature: -20°C + +70°C Cable: 2140.3213.0 / connectors: 7940.3484.0 Condottori di segnale: 4 poli 1:1 AWG 22 Condottori di potenza: - Capacità di trasmissione: CAT5 / Class D Velocità di trasmissione: 10/100 Mbit/s Limiti di temperatura: -20°C + +70°C Cavo: 2140.3213.0 / connettori: 7940.3484.0	8P4C Wiring 1 ——— 1 2 ——— 2 3 ——— 3 4 ——— 4 5 ——— 5 6 ——— 6 7 ——— 7 8 ——— 8 A ——— A B ——— B VS ——— VS	4 PROFINET compliant	-	PUR Green PUR Verde DIA 6,9 mm LSZH	0.5 1.0 1.5 2.0 3.0 5.0 10	2540.3245.0 2540.3245.1 2540.3245.B 2540.3245.2 2540.3245.3 2540.3245.5 2540.3245.A
Wiring signal: 4 poles 1:1 AWG 26 Wiring power: 2 poles 1:1 AWG 22 Transmission performance: CAT5 / Class D Transmission rate: 10/100 Mbit/s Shielding: fully shielded Limiting temperature: -20°C + +70°C Cable: 2142.3217.0 / connectors: 7942.3420.0 Condottori di segnale: 4 poli 1:1 AWG 26 Condottori di potenza: 2 poli 1:1 AWG 22 Capacità di trasmissione: CAT5 / Class D Velocità di trasmissione: 10/100 Mbit/s Limiti di temperatura: -20°C + +70°C Cavo: 2142.3217.0 / connettori: 7942.3420.0	8P4C + 2 PC Wiring 1 ——— 1 2 ——— 2 3 ——— 3 4 ——— 4 5 ——— 5 6 ——— 6 7 ——— 7 8 ——— 8 A ——— A B ——— B VS ——— VS	4	2	PUR green PUR verde DIA 6,8 mm LSZH	0.5 1.0 1.5 2.0 3.0 5.0 10	2542.3246.0 2542.3246.1 2542.3246.B 2542.3246.2 2542.3246.3 2542.3246.5 2542.3246.A
Wiring signal: 8 poles 1:1 AWG 26 Wiring power: - Transmission performance: CAT5 / Class D Transmission rate: 10/100 Mbit/s Shielding: fully shielded Limiting temperature: -20°C + +70°C Cable: 2180.3218.0 / connectors: 7980.3420.0 Condottori di segnale: 8 poli 1:1 AWG 26 Condottori di potenza: - Capacità di trasmissione: CAT5 / Class D Velocità di trasmissione: 10/100 Mbit/s Limiti di temperatura: -20°C + +70°C Cavo: 2180.3218.0 / connettori: 7980.3420.0	8P8C Wiring 1 ——— 1 2 ——— 2 3 ——— 3 4 ——— 4 5 ——— 5 6 ——— 6 7 ——— 7 8 ——— 8 A ——— A B ——— B VS ——— VS	8	-	PUR green PUR verde DIA 6,8 mm LSZH	0.5 1.0 1.5 2.0 3.0 5.0 10	2580.3247.0 2580.3247.1 2580.3247.B 2580.3247.2 2580.3247.3 2580.3247.5 2580.3247.A
Wiring signal: 8 pole 1:1 AWG 26 Wiring power: 2 poles 1:1 AWG 23 Transmission performance: CAT5 / Class D Transmission rate: Shielding: fully shielded Limiting temperature: -20°C + +70°C Cable: 2182.3219.0 / connectors: 7982.3420.0 Condottori di segnale: 4 poli 1:1 AWG 24 Condottori di potenza: 2 poli 1:1 AWG 23 Capacità di trasmissione: CAT5 / Class D Velocità di trasmissione: 10/100 Mbit/s Limiti di temperatura: -20°C + +70°C Cavo: 2182.3219.0 / connettori: 7982.3420.0	8P8C + 2 PC Wiring 1 ——— 1 2 ——— 2 3 ——— 3 4 ——— 4 5 ——— 5 6 ——— 6 7 ——— 7 8 ——— 8 A ——— A B ——— B VS ——— VS	8	2	PUR green PUR verde DIA 6,9 mm LSZH	0.5 1.0 1.5 2.0 3.0 5.0 10	2282.3248.0 2282.3248.1 2282.3248.B 2282.3248.2 2282.3248.3 2282.3248.5 2282.3248.A

- RJ45 plug
Spina RJ45
- HE metal hood 3A «21x21» black
Custodia metallica HE 3A «21x21» nera
- Metal cable glands M20
Pressacavo metallico M20

IP66 / IP67

- RJ45 plug
Spina RJ45
- HE metal hood 3A «21x21» black
Custodia metallica HE 3A «21x21» nera
- Metal cable glands M20
Pressacavo metallico M20



For harsh environmental requirements
Per ambienti aggressivi



CAT5 (CAT5e) / Class D up to 100 MHz acc. to ISO/IEC 11802, EN 50173-1 CAT5 (CAT5e) / classe D fino a 100 MHz conforme ISO/IEC 11802, EN 50173-1	Signal contacts Contatti segnale	Power contacts Contatti potenza	Jacket Guaina	Length m. Lunghezza	Part No. Codice	
Wiring signal: 4 poles 1:1 AWG 24 Wiring power: - Transmission performance: CAT5 / Class D Transmission rate: Shielding: fully shielded Limiting temperature: -20°C + +70°C Cable: 2140.3211.0 / connectors: 7940.3420.1 Conduttori di segnale: 4 poli 1:1 AWG 24 Conduttori di potenza: - Capacità di trasmissione: CAT5 / Class D Velocità di trasmissione: Limiti di temperatura: -20°C + +70°C Cavo: 2140.3211.0 / connettori: 7940.3420.1	8P4C Wiring 1 → 1 2 → 2 3 → 3 4 → 4 5 → 5 6 → 6 7 → 7 8 → 8 A → A B → B VS → VS	4	-	PVC grey PVC grigio DIA 6,9 mm	0.5 1.0 1.5 2.0 3.0 5.0 10	2640.3244.0 2640.3244.1 2640.3244.B 2640.3244.2 2640.3244.3 2640.3244.5 2640.3244.A
Wiring signal: 4 poles 1:1 AWG 22 Wiring power: - Transmission performance: CAT5 / Class D Transmission rate: 10/100 Mbit/s Shielding: fully shielded Limiting temperature: -20°C + +70°C Cable: 2140.3213.0 / connectors: 7940.3484.1 Conduttori di segnale: 4 poli 1:1 AWG 22 Conduttori di potenza: - Capacità di trasmissione: CAT5 / Class D Velocità di trasmissione: 10/100 Mbit/s Limiti di temperatura: -20°C + +70°C Cavo: 2140.3213.0 / connettori: 7940.3484.1	8P4C Wiring 1 → 1 2 → 2 3 → 3 4 → 4 5 → 5 6 → 6 7 → 7 8 → 8 A → A B → B VS → VS	4 PROFINET compliant	-	PUR Green PUR Verde DIA 6,9 mm LSZH	0.5 1.0 1.5 2.0 3.0 5.0 10	2640.3245.0 2640.3245.1 2640.3245.B 2640.3245.2 2640.3245.3 2640.3245.5 2640.3245.A
Wiring signal: 4 poles 1:1 AWG 26 Wiring power: 2 poles 1:1 AWG 22 Transmission performance: CAT5 / Class D Transmission rate: 10/100 Mbit/s Shielding: fully shielded Limiting temperature: -20°C + +70°C Cable: 2142.3217.0 / connectors: 7942.3420.1 Conduttori di segnale: 4 poli 1:1 AWG 26 Conduttori di potenza: 2 poli 1:1 AWG 22 Capacità di trasmissione: CAT5 / Class D Velocità di trasmissione: 10/100 Mbit/s Limiti di temperatura: -20°C + +70°C Cavo: 2142.3217.0 / connettori: 7942.3420.1	8P4C + 2 PC Wiring 1 → 1 2 → 2 3 → 3 4 → 4 5 → 5 6 → 6 7 → 7 8 → 8 A → A B → B VS → VS	4	2	PUR green PUR verde DIA 6,8 mm LSZH	0.5 1.0 1.5 2.0 3.0 5.0 10	2642.3246.0 2642.3246.1 2642.3246.B 2642.3246.2 2642.3246.3 2642.3246.5 2642.3246.A
Wiring signal: 8 poles 1:1 AWG 26 Wiring power: - Transmission performance: CAT5 / Class D Transmission rate: 10/100 Mbit/s Shielding: fully shielded Limiting temperature: -20°C + +70°C Cable: 2180.3218.0 / connectors: 7980.3420.1 Conduttori di segnale: 8 poli 1:1 AWG 26 Conduttori di potenza: - Capacità di trasmissione: CAT5 / Class D Velocità di trasmissione: 10/100 Mbit/s Limiti di temperatura: -20°C + +70°C Cavo: 2180.3218.0 / connettori: 7980.3420.1	8P8C Wiring 1 → 1 2 → 2 3 → 3 4 → 4 5 → 5 6 → 6 7 → 7 8 → 8 A → A B → B VS → VS	8	-	PUR green PUR verde DIA 6,8 mm LSZH	0.5 1.0 1.5 2.0 3.0 5.0 10	2680.3247.0 2680.3247.1 2680.3247.B 2680.3247.2 2680.3247.3 2680.3247.5 2680.3247.A
Wiring signal: 8 pole 1:1 AWG 26 Wiring power: 2 poles 1:1 AWG 23 Transmission performance: CAT5 / Class D Transmission rate: 10/100 Mbit/s Shielding: fully shielded Limiting temperature: -20°C + +80°C Cable: 2182.3219.0 / connectors: 7982.3420.1 Conduttori di segnale: 4 poli 1:1 AWG 26 Conduttori di potenza: 2 poli 1:1 AWG 23 Capacità di trasmissione: CAT5 / Class D Velocità di trasmissione: 10/100 Mbit/s Limiti di temperatura: -20°C + +80°C Cavo: 2182.3219.0 / connettori: 7982.3420.1	8P8C + 2 PC Wiring 1 → 1 2 → 2 3 → 3 4 → 4 5 → 5 6 → 6 7 → 7 8 → 8 A → A B → B VS → VS	8	2	PUR green PUR verde DIA 6,9 mm LSZH	0.5 1.0 1.5 2.0 3.0 5.0 10	2682.3248.0 2682.3248.1 2682.3248.B 2682.3248.2 2682.3248.3 2682.3248.5 2682.3248.A

- RJ45 plug
Spina RJ45
- STD insulated hood 3A «21x21» black
Custodia isolata STD 3A «21x21» nera
- PA66 cable glands black M20
Pressacavo PA66 M20 nero

IP66 / IP67

- RJ45 plug
Spina RJ45
- STD insulated hood 3A «21x21» black
Custodia isolata STD 3A «21x21» nera
- PA66 cable glands black M20
Pressacavo PA66 M20 nero



CAT5 (CAT5e) / Class D up to 100 MHz acc. to ISO/IEC 11802, EN 50173-1 <i>CAT5 (CAT5e) / classe D fino a 100 MHz conforme ISO/IEC 11802, EN 50173-1</i>	Signal contacts <i>Contatti segnale</i>	Power contacts <i>Contatti potenza</i>	Jacket <i>Guaina</i>	Length m. <i>Lunghezza</i>	Part No. <i>Codice</i>	
Wiring signal: 4 poles 1:1 AWG 24 Wiring power: - Transmission performance: CAT5 / Class D Transmission rate: 10/100 Mbit/s Shielding: fully shielded Limiting temperature: -20°C + +70°C Cable: 2140.3211.0 / connectors: 7940.3412.1 <i>Conduttori di segnale: 4 poli 1:1 AWG 24</i> <i>Conduttori di potenza: -</i> Capacità di trasmissione: CAT5 / Class D Velocità di trasmissione: 10/100 Mbit/s Limiti di temperatura: -20°C + +70°C Cavo: 2140.3211.0 / connettori: 7940.3412.1	8P4C Wiring 1 ————— 1 2 ————— 2 3 ————— 3 4 ————— 4 5 ————— 5 6 ————— 6 7 ————— 7 8 ————— 8 A ————— A B ————— B VS ————— VS	4	-	PVC grey PVC grigio DIA 6,9 mm	0.5 1.0 1.5 2.0 3.0 5.0 10	2740.3244.0 2740.3244.1 2740.3244.B 2740.3244.2 2740.3244.3 2740.3244.5 2740.3244.A
Wiring signal: 4 poles 1:1 AWG 22 Wiring power: - Transmission performance: CAT5 / Class D Transmission rate: 10/100 Mbit/s Shielding: fully shielded Limiting temperature: -20°C + +70°C Cable: 2140.3213.0 / connectors: 7940.3485.1 <i>Conduttori di segnale: 4 poli 1:1 AWG 22</i> <i>Conduttori di potenza: -</i> Capacità di trasmissione: CAT5 / Class D Velocità di trasmissione: 10/100 Mbit/s Limiti di temperatura: -20°C + +70°C Cavo: 2140.3213.0 / connettori: 7940.3485.1	8P4C Wiring 1 ————— 1 2 ————— 2 3 ————— 3 4 ————— 4 5 ————— 5 6 ————— 6 7 ————— 7 8 ————— 8 A ————— A B ————— B VS ————— VS	4	PROFINET compliant	PUR Green PUR Verde DIA 6,9 mm LSZH	0.5 1.0 1.5 2.0 3.0 5.0 10	2740.3245.0 2740.3245.1 2740.3245.B 2740.3245.2 2740.3245.3 2740.3245.5 2740.3245.A
Wiring signal: 4 poles 1:1 AWG 26 Wiring power: 2 poles 1:1 AWG 22 Transmission performance: CAT5 / Class D Transmission rate: 10/100 Mbit/s Shielding: fully shielded Limiting temperature: -20°C + +70°C Cable: 2142.3217.0 / connectors: 7942.3412.1 <i>Conduttori di segnale: 4 poli 1:1 AWG 26</i> <i>Conduttori di potenza: 2 poli 1:1 AWG 22</i> Capacità di trasmissione: CAT5 / Class D Velocità di trasmissione: 10/100 Mbit/s Limiti di temperatura: -20°C + +70°C Cavo: 2142.3217.0 / connettori: 7942.3412.1	8P4C + 2 PC Wiring 1 ————— 1 2 ————— 2 3 ————— 3 4 ————— 4 5 ————— 5 6 ————— 6 7 ————— 7 8 ————— 8 A ————— A B ————— B VS ————— VS	4	2	PUR green PUR verde DIA 6,8 mm LSZH	0.5 1.0 1.5 2.0 3.0 5.0 10	2742.3246.0 2742.3246.1 2742.3246.B 2742.3246.2 2742.3246.3 2742.3246.5 2742.3246.A
Wiring signal: 8 poles 1:1 AWG 26 Wiring power: - Transmission performance: CAT5 / Class D Transmission rate: 10/100 Mbit/s Shielding: fully shielded Limiting temperature: -20°C + +70°C Cable: 2180.3218.0 / connectors: 7980.3412.1 <i>Conduttori di segnale: 8 poli 1:1 AWG 26</i> <i>Conduttori di potenza: -</i> Capacità di trasmissione: CAT5 / Class D Velocità di trasmissione: 10/100 Mbit/s Limiti di temperatura: -20°C + +70°C Cavo: 2180.3218.0 / connettori: 7980.3412.1	8P8C Wiring 1 ————— 1 2 ————— 2 3 ————— 3 4 ————— 4 5 ————— 5 6 ————— 6 7 ————— 7 8 ————— 8 A ————— A B ————— B VS ————— VS	8	-	PUR green PUR verde DIA 6,8 mm LSZH	0.5 1.0 1.5 2.0 3.0 5.0 10	2780.3247.0 2780.3247.1 2780.3247.B 2780.3247.2 2780.3247.3 2780.3247.5 2780.3247.A
Wiring signal: 8 pole 1:1 AWG 26 Wiring power: 2 poles 1:1 AWG 23 Transmission performance: CAT5 / Class D Transmission rate: 10/100 Mbit/s Shielding: fully shielded Limiting temperature: -20°C + +70°C Cable: 2182.3219.0 / connectors: 7982.3412.1 <i>Conduttori di segnale: 4 poli 1:1 AWG 26</i> <i>Conduttori di potenza: 2 poli 1:1 AWG 23</i> Capacità di trasmissione: CAT5 / Class D Velocità di trasmissione: 10/100 Mbit/s Limiti di temperatura: -20°C + +70°C Cavo: 2182.3219.0 / connettori: 7982.3412.1	8P8C + 2 PC Wiring 1 ————— 1 2 ————— 2 3 ————— 3 4 ————— 4 5 ————— 5 6 ————— 6 7 ————— 7 8 ————— 8 A ————— A B ————— B VS ————— VS	8	2	PUR green PUR verde DIA 6,9 mm LSZH	0.5 1.0 1.5 2.0 3.0 5.0 10	2782.3248.0 2782.3248.1 2782.3248.B 2782.3248.2 2782.3248.3 2782.3248.5 2782.3248.A

- RJ45 plug
Spina RJ45
- STD metal hood 3A «21x21» grey RAL 7037
Custodia metallica STD 3A «21x21» grigia RAL 7037
- Metal cable glands M20
Pressacavo metallico M20

IP66 / IP67

- RJ45 plug
Spina RJ45
- STD metal hood 3A «21x21» grey RAL 7037
Custodia metallica STD 3A «21x21» grigia RAL 7037
- Metal cable glands M20
Pressacavo metallico M20



CAT5 (CAT5e) / Class D up to 100 MHz acc. to ISO/IEC 11802, EN 50173-1 CAT5 (CAT5e) / classe D fino a 100 MHz conforme ISO/IEC 11802, EN 50173-1	Signal contacts Contatti segnale	Power contacts Contatti potenza	Jacket Guaina	Length m. Lunghezza	Part No. Codice	
Wiring signal: 4 poles 1:1 AWG 24 Wiring power: - Transmission performance: CAT5 / Class D Transmission rate: 10/100 Mbit/s Shielding: fully shielded Limiting temperature: -20°C + +70°C Cable: 2140.3211.0 / connectors: 7940.3422.0 Conduttori di segnale: 4 poli 1:1 AWG 24 Conduttori di potenza: - Capacità di trasmissione: CAT5 / Class D Velocità di trasmissione: 10/100 Mbit/s Limiti di temperatura: -20°C + +70°C Cavo: 2140.3211.0 / connettori: 7940.3422.0	8P4C Wiring 1 ————— 1 2 ————— 2 3 ————— 3 4 ————— 4 5 ————— 5 6 ————— 6 7 ————— 7 8 ————— 8 A ————— A B ————— B VS ————— VS	4	-	PVC grey PVC grigio DIA 6,9 mm	0.5 1.0 1.5 2.0 3.0 5.0 10	2840.3244.0 2840.3244.1 2840.3244.B 2840.3244.2 2840.3244.3 2840.3244.5 2840.3244.A
Wiring signal: 4 poles 1:1 AWG 22 Wiring power: - Transmission performance: CAT5 / Class D Transmission rate: 10/100 Mbit/s Shielding: fully shielded Limiting temperature: -20°C + +70°C Cable: 2140.3213.0 / connectors: 7940.3486.0 Conduttori di segnale: 4 poli 1:1 AWG 22 Conduttori di potenza: - Capacità di trasmissione: CAT5 / Class D Velocità di trasmissione: 10/100 Mbit/s Limiti di temperatura: -20°C + +70°C Cavo: 2140.3213.0 / connettori: 7940.3486.0	8P4C Wiring 1 ————— 1 2 ————— 2 3 ————— 3 4 ————— 4 5 ————— 5 6 ————— 6 7 ————— 7 8 ————— 8 A ————— A B ————— B VS ————— VS	4	PROFINET compliant	PUR Green PUR Verde DIA 6,9 mm LSZH	0.5 1.0 1.5 2.0 3.0 5.0 10	2840.3245.0 2840.3245.1 2840.3245.B 2840.3245.2 2840.3245.3 2840.3245.5 2840.3245.A
Wiring signal: 4 poles 1:1 AWG 26 Wiring power: 2 poles 1:1 AWG 22 Transmission performance: CAT5 / Class D Transmission rate: 10/100 Mbit/s Shielding: fully shielded Limiting temperature: -20°C + +70°C Cable: 2142.3217.0 / connectors: 7942.3422.0 Conduttori di segnale: 4 poli 1:1 AWG 26 Conduttori di potenza: 2 poli 1:1 AWG 22 Capacità di trasmissione: CAT5 / Class D Velocità di trasmissione: 10/100 Mbit/s Limiti di temperatura: -20°C + +70°C Cavo: 2142.3217.0 / connettori: 7942.3422.0	8P4C + 2 PC Wiring 1 ————— 1 2 ————— 2 3 ————— 3 4 ————— 4 5 ————— 5 6 ————— 6 7 ————— 7 8 ————— 8 A ————— A B ————— B VS ————— VS	4	2	PUR green PUR verde DIA 6,8 mm LSZH	0.5 1.0 1.5 2.0 3.0 5.0 10	2842.3246.0 2842.3246.1 2842.3246.B 2842.3246.2 2842.3246.3 2842.3246.5 2842.3246.A
Wiring signal: 8 poles 1:1 AWG 26 Wiring power: - Transmission performance: CAT5 / Class D Transmission rate: 10/100 Mbit/s Shielding: fully shielded Limiting temperature: -20°C + +70°C Cable: 2180.3218.0 / connectors: 7980.3422.0 Conduttori di segnale: 8 poli 1:1 AWG 26 Conduttori di potenza: - Capacità di trasmissione: CAT5 / Class D Velocità di trasmissione: 10/100 Mbit/s Limiti di temperatura: -20°C + +70°C Cavo: 2180.3218.0 / connettori: 7980.3422.0	8P8C Wiring 1 ————— 1 2 ————— 2 3 ————— 3 4 ————— 4 5 ————— 5 6 ————— 6 7 ————— 7 8 ————— 8 A ————— A B ————— B VS ————— VS	8	-	PUR green PUR verde DIA 6,8 mm LSZH	0.5 1.0 1.5 2.0 3.0 5.0 10	2880.3247.0 2880.3247.1 2880.3247.B 2880.3247.2 2880.3247.3 2880.3247.5 2880.3247.A
Wiring signal: 8 pole 1:1 AWG 26 Wiring power: 2 poles 1:1 AWG 23 Transmission performance: CAT5 / Class D Transmission rate: 10/100 Mbit/s Shielding: fully shielded Limiting temperature: -20°C + +70°C Cable: 2182.3219.0 / connectors: 7982.3422.0 Conduttori di segnale: 4 poli 1:1 AWG 26 Conduttori di potenza: 2 poli 1:1 AWG 23 Capacità di trasmissione: CAT5 / Class D Velocità di trasmissione: 10/100 Mbit/s Limiti di temperatura: -20°C + +70°C Cavo: 2182.3219.0 / connettori: 7982.3422.0	8P8C + 2 PC Wiring 1 ————— 1 2 ————— 2 3 ————— 3 4 ————— 4 5 ————— 5 6 ————— 6 7 ————— 7 8 ————— 8 A ————— A B ————— B VS ————— VS	8	2	PUR green PUR verde DIA 6,9 mm LSZH	0.5 1.0 1.5 2.0 3.0 5.0 10	2882.3248.0 2882.3248.1 2882.3248.B 2882.3248.2 2882.3248.3 2882.3248.5 2882.3248.A

- RJ45 plug
Spina RJ45
- HE metal hood 3A «21x21» black
Custodia metallica HE 3A «21x21» nera
- Metal cable glands M20
Pressacavo metallico M20

IP66 / IP67

- RJ45 plug
Spina RJ45
- HE metal hood 3A «21x21» black
Custodia metallica HE 3A «21x21» nera
- Metal cable glands M20
Pressacavo metallico M20



For harsh environmental requirements
Per ambienti aggressivi



CAT5 (CAT5e) / Class D up to 100 MHz acc. to ISO/IEC 11802, EN 50173-1 CAT5 (CAT5e) / classe D fino a 100 MHz conforme ISO/IEC 11802, EN 50173-1	Signal contacts Contatti segnale	Power contacts Contatti potenza	Jacket Guaina	Length m. Lunghezza	Part No. Codice	
Wiring signal: 4 poles 1:1 AWG 24 Wiring power: - Transmission performance: CAT5 / Class D Transmission rate: 10/100 Mbit/s Shielding: fully shielded Limiting temperature: -20°C + +70°C Cable: 2140.3211.0 / connectors: 7940.3422.1 Conduttori di segnale: 4 poli 1:1 AWG 24 Conduttori di potenza: - Capacità di trasmissione: CAT5 / Class D Velocità di trasmissione: 10/100 Mbit/s Limiti di temperatura: -20°C + +70°C Cavo: 2140.3211.0 / connettori: 7940.3422.1	8P4C Wiring 	4	-	PVC grey PVC grigio DIA 6,9 mm	0.5 1.0 1.5 2.0 3.0 5.0 10	2940.3244.0 2940.3244.1 2940.3244.B 2940.3244.2 2940.3244.3 2940.3244.5 2940.3244.A
Wiring signal: 4 poles 1:1 AWG 22 Wiring power: - Transmission performance: CAT5 / Class D Transmission rate: 10/100 Mbit/s Shielding: fully shielded Limiting temperature: -20°C + +70°C Cable: 2140.3213.0 / connectors: 7940.3486.1 Conduttori di segnale: 4 poli 1:1 AWG 22 Conduttori di potenza: - Capacità di trasmissione: CAT5 / Class D Velocità di trasmissione: 10/100 Mbit/s Limiti di temperatura: -20°C + +70°C Cavo: 2140.3213.0 / connettori: 7940.3486.1	8P4C Wiring 	4	PROFINET compliant	PUR Green PUR Verde DIA 6,9 mm LSZH	0.5 1.0 1.5 2.0 3.0 5.0 10	2940.3245.0 2940.3245.1 2940.3245.B 2940.3245.2 2940.3245.3 2940.3245.5 2940.3245.A
Wiring signal: 4 poles 1:1 AWG 26 Wiring power: 2 poles 1:1 AWG 22 Transmission performance: CAT5 / Class D Transmission rate: 10/100 Mbit/s Shielding: fully shielded Limiting temperature: -20°C + +70°C Cable: 2142.3217.0 / connectors: 7942.3422.1 Conduttori di segnale: 4 poli 1:1 AWG 26 Conduttori di potenza: 2 poli 1:1 AWG 22 Capacità di trasmissione: CAT5 / Class D Velocità di trasmissione: 10/100 Mbit/s Limiti di temperatura: -20°C + +70°C Cavo: 2142.3217.0 / connettori: 7942.3422.1	8P4C + 2 PC Wiring 	4	2	PUR green PUR verde DIA 6,8 mm LSZH	0.5 1.0 1.5 2.0 3.0 5.0 10	2942.3246.0 2942.3246.1 2942.3246.B 2942.3246.2 2942.3246.3 2942.3246.5 2942.3246.A
Wiring signal: 8 poles 1:1 AWG 26 Wiring power: - Transmission performance: CAT5 / Class D Transmission rate: 10/100 Mbit/s Shielding: fully shielded Limiting temperature: -20°C + +70°C Cable: 2180.3218.0 / connectors: 7980.3422.1 Conduttori di segnale: 8 poli 1:1 AWG 26 Conduttori di potenza: - Capacità di trasmissione: CAT5 / Class D Velocità di trasmissione: 10/100 Mbit/s Limiti di temperatura: -20°C + +70°C Cavo: 2180.3218.0 / connettori: 7980.3422.1	8P8C Wiring 	8	-	PUR green PUR verde DIA 6,8 mm LSZH	0.5 1.0 1.5 2.0 3.0 5.0 10	2980.3247.0 2980.3247.1 2980.3247.B 2980.3247.2 2980.3247.3 2980.3247.5 2980.3247.A
Wiring signal: 8 pole 1:1 AWG 26 Wiring power: 2 poles 1:1 AWG 23 Transmission performance: CAT5 / Class D Transmission rate: 10/100 Mbit/s Shielding: fully shielded Limiting temperature: -20°C + +70°C Cable: 2182.3219.0 / connectors: 7982.3422.1 Conduttori di segnale: 4 poli 1:1 AWG 26 Conduttori di potenza: 2 poli 1:1 AWG 23 Capacità di trasmissione: CAT5 / Class D Velocità di trasmissione: 10/100 Mbit/s Limiti di temperatura: -20°C + +70°C Cavo: 2182.3219.0 / connettori: 7982.3422.1	8P8C + 2 PC Wiring 	8	2	PUR green PUR verde DIA 6,9 mm LSZH	0.5 1.0 1.5 2.0 3.0 5.0 10	2982.3248.0 2982.3248.1 2982.3248.B 2982.3248.2 2982.3248.3 2982.3248.5 2982.3248.A

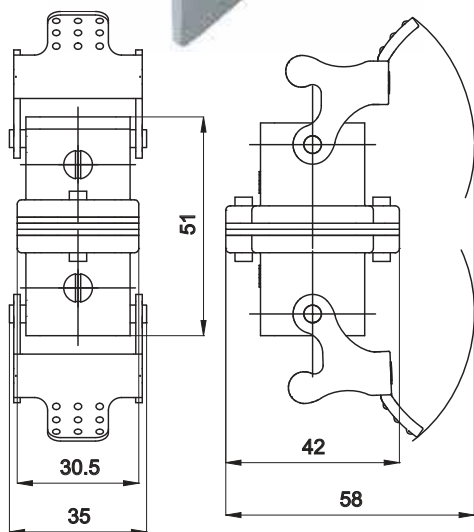
Completed coupler with double housing
Accoppiatore completo con doppia custodia

RU ^{US}Type 4/4x/12 **SF** ^{US}

Part No.
Codice



Coupler installed on panel
Accoppiatore installato sul pannello



IP66/IP67



The coupler is composed by:

- Insert CAT5 fully shielded, RJ45 socket/RJ45 socket
- Double insulated housing with levers for panel mounting
- 2 adapters with 4 polarization keys

l'accoppiatore è composto da:

- *Inserto CAT5 completamente schermato, presa RJ45 / presa RJ45*
- *Custodia doppia in materiale isolato con leve per montaggio da pannello*
- *2 adattatori con 4 chiavi di polarizzazione*

Housing - Custodie:

- Housing black color + RJ45 8p4C 7940.3313.1
- Housing black color + 8p4C + 2pC 7942.3313.1
- Housing black color + 8p8C 7980.3313.1
- Housing black color + 8p8C + 2pC 7982.3413.1
- Protection cover with gasket black *Coperchio di protezione con guarnizione nero* 7803.6801.C
- Housing grey color + RJ45 8p4C 7940.3313.0
- Housing grey color + 8p4C + 2pC 7942.3313.0
- Housing grey color + 8p8C 7980.3313.0
- Housing grey color + 8p8C + 2pC 7982.3413.0
- Protection cover with gasket grey *Coperchio di protezione con guarnizione grigio* 7803.6801.B

Insert 8p4C = Crossover wiring page 09.04

Insert 8p8C = pin to pin wiring page 09.04

2pC = 2 power contacts

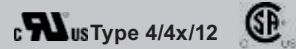
Applications:

The coupler can be used "in line" to join patch cables together to increase the length or for other purposes.
 The coupler can be also installed on the panel, suitably cut, of the equipment to connect patch cords internally or simply used as a joiner.
 The IP degree, IP66/IP67, is guaranteed using RJ45 Industrial grade plugs, of S-IEC series with 3A «21x21» size enclosures. Moreover the use of the protection cover guarantees the IP degree even if the coupler is not connected.
 Removing one or more gaskets from the assembled coupler makes it suitable for panels with thickness between 0.8 and 3 mm.

Applicazioni:

L'accoppiatore può essere "volante" per connettere insieme cordoni assemblati, per aumentare la lunghezza o per altri scopi. Inoltre l'accoppiatore può essere installato sul pannello, appositamente forato dell'apparecchiatura, per connettere cordoni installati all'interno della stessa o semplicemente costituire un passante.
Il grado IP, IP66/IP67, è garantito usando spine RJ45 Industrial della serie S-IEC con custodie 3A «21x21». Esso è garantito anche quando l'accoppiatore non è connesso utilizzando l'apposito coperchio di protezione.
Togliendo una o più guarnizioni dall'accoppiatore montato si potrà installare su pannelli di spessore da 0.8 a 3 mm

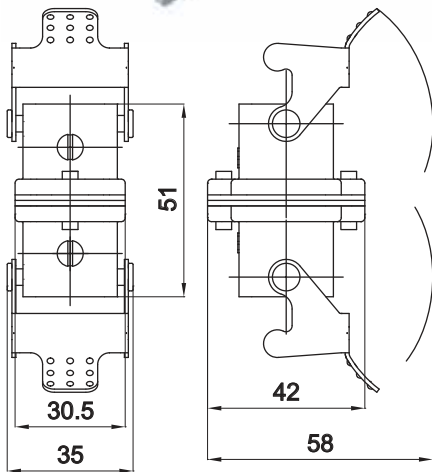
Completed coupler with double housing
Accoppiatore completo con doppia custodia



Part No.
 Codice



Coupler installed on panel
Accoppiatore installato sul pannello



IP66/IP67



The coupler is composed by:

- Insert CAT5 fully shielded, RJ45 socket/RJ45 socket
- Double metal housing with stainless steel levers for panel mounting
- 2 adapters with 4 polarization keys

l'accoppiatore è composto da:

- *Inserto CAT5e completamente schermato, presa RJ45 / presa RJ45*
- *Custodia doppia metallica con leve in acciaio inox per montaggio da pannello*
- *2 adattatori con 4 chiavi di polarizzazione*

Housing - Custodie:

- Housing STD grey color + RJ45 8p4C 7940.3314.0
- Housing STD grey color + 8p4C + 2pC 7942.3314.0
- Housing STD grey + 8p8C 7980.3314.0
- Housing STD grey + 8p8C + 2pC 7982.3414.0
- STD protection cover with gasket grey
Coperchio di protezione STD con guarnizione, grigio 7803.6802.B
- Housing HE black color + RJ45 8p4C 7940.3314.1
- Housing HE black color + 8p4C + 2pC 7942.3314.1
- Housing HE black color + 8p8C 7980.3314.1
- Housing HE black color + 8p8C + 2pC 7982.3414.1
- HE protection cover with gasket black
Coperchio di protezione HE con guarnizione, nero 7803.6802.C

Insert 8p4C = Crossover wiring page 09.04

Insert 8p8C = pin to pin wiring page 09.04

2pC = 2 power contacts

Applications:

The coupler can be used "in line" to join patch cables together to increase the length or for other purposes.

The coupler can be also installed on the panel, suitably cut, of the equipment to connect patch cords internally or simply used as a joiner.

The IP degree, IP66/IP67, is guaranteed using RJ45 Industrial grade plugs, of S-IEC series with 3A «21x21» size enclosures. Moreover the use of the protection cover guarantees the IP degree even if the coupler is not connected.

Removing one or more gaskets from the assembled coupler makes it suitable for panels with thickness between 0.8 and 3 mm.

Applicazioni:

L'accoppiatore può essere "volante" per connettere insieme cordoni assemblati, per aumentare la lunghezza o per altri scopi. Inoltre l'accoppiatore può essere installato sul pannello, appositamente forato dell'apparecchiatura, per connettere cordoni installati all'interno della stessa o semplicemente costituire un passante.

Il grado IP, IP66/IP67, è garantito usando spine RJ45 Industrial della serie S-IEC con custodie 3A «21x21». Esso è garantito anche quando l'accoppiatore non è connesso utilizzando l'apposito coperchio di protezione.

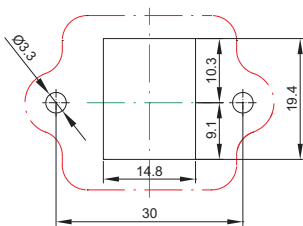
Togliendo una o più guarnizioni dall'accoppiatore montato si potrà installare su pannelli di spessore da 0.8 a 3 mm

Technical characteristics

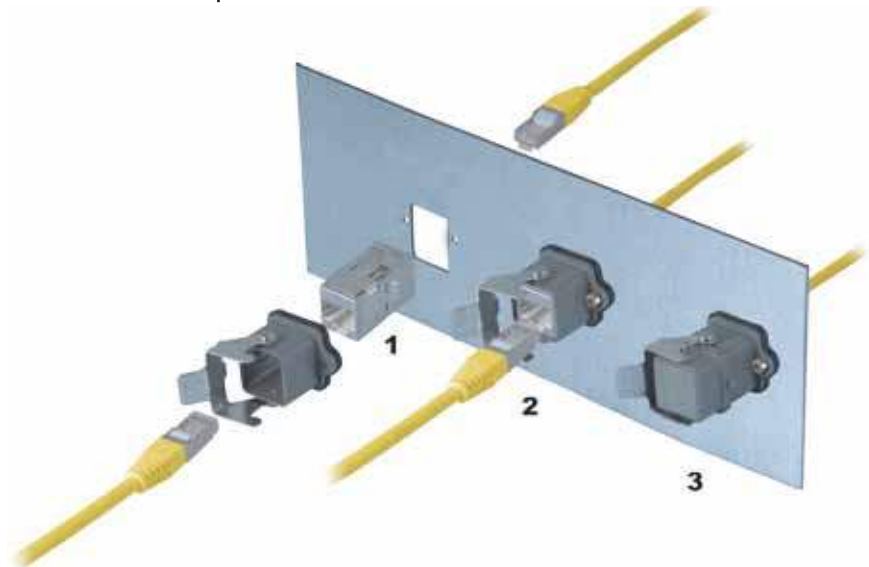
The system is based on the Keystone standard module with snap-in assembly.
The modules range is very wide and include RJ45 jacks, RJ45 couplers, USB couplers and other like RCA, coaxial and fiber optic.
The modules are assembled inside the Keystone Port with dimensions $14.8 \pm 0.1 \times 19.4 \pm 0.1$ made on the panel.
The panel thickness shall not exceed 1.8 mm
A straight housing size 3A «21x21» is assembled over the Keystone Port.
The cover protects the module.
In "not operating" position (that is with assembled cover without any patch cord connected outside), the system offers the IP66/67 protection degree.
While in "operating" position (with a patch cord also connected outside the coupler) the protection degree is IP20.

Caratteristiche tecniche

*Il sistema è basato sul modulo standard Keystone jack con assemblaggio a scatto sul pannello.
La gamma di moduli è molto ampia infatti sono disponibili prese RJ45, accoppiatori RJ45 ed altri per connessioni USB, RCA, coaxial e per fibre ottiche.
I moduli sono assemblati a scatto all'interno della porta keystone, di dimensioni $14.8 \pm 0.1 \times 19.4 \pm 0.1$, ottenuta nel pannello.
Lo spessore del pannello non deve superare 1.8 mm
In corrispondenza della porta keystone viene assemblata una custodia diritta grandezza 3A «21x21»: il coperchio ha la funzione di proteggere il modulo.
Nella posizione "non operativa" cioè senza alcuna "patch cord" connessa esternamente e con coperchio assemblato, il sistema offre un grado di protezione IP66/IP67.
Nella posizione "operativa" con una "patch cord" connessa anche esternamente il grado di protezione è IP20.*



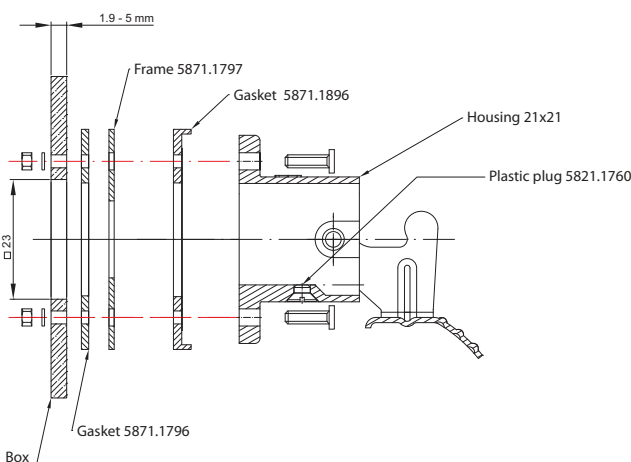
Cut out of panel with thickness ≤ 1.8 mm
Foratura del pannello con spessore ≤ 1.8 mm



1: Assembly - Assemblaggio






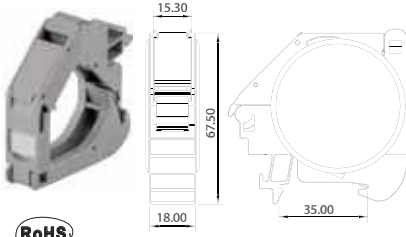
2: Connection IP20 - Connessione IP20

3: Cover protection IP66/67 - Protezione con coperchio IP66/IP67



For applications on > 1.8 mm panels, the user has to perforate the panel as drawn here, and use the Molex assembly kit Part No. 2500.0019.0
The kit contains the necessary parts (frame and gasket) for the assembly of all available couplers, maintaining the IP protection degree.

Per applicazioni su pannelli di spessore superiore a 1.8 mm l'utilizzatore deve realizzare una foratura secondo il disegno qui evidenziato ed utilizzare il kit di assemblaggio Codice Molex 2500.0019.0 che consente il montaggio di tutti gli accoppiatori keystone disponibili mantenendo il grado di protezione IP.

Description and technical characteristics - <i>Descrizione e caratteristiche tecniche</i>		Part No. Codice
 CE (RoHS)	Straight snap-in coupler RJ45 - RJ45 jack unshielded Thermoplastic material UL 94-V0 white Accoppiatore dritto RJ45 - RJ45 con aggancio a scatto non schermato. Materiale termoplastico UL 94-V0 bianco	
	Nominal voltage 50V AC/DC <i>Tensione nominale</i> Nominal current 1A <i>Corrente nominale</i>	CAT5e 2500.0016.0 CAT6 2500.0017.0
 CE (RoHS)	Straight snap-in coupler RJ45 - RJ45 jack fully shielded Accoppiatore prese RJ45 - RJ45 con aggancio a scatto, completamente schermato	
	Nominal voltage 50V AC/DC <i>Tensione nominale</i> Nominal current 1A <i>Corrente nominale</i>	CAT5e 2500.0010.0 CAT6 2500.0013.0
 CE (RoHS)	USB 2.0 snap in coupler USB A female to female Accoppiatore USB 2.0 - USB A fem./fem. con aggancio a scatto	2500.0015.0
	Nominal voltage 50V AC/DC <i>Tensione nominale</i> Nominal current 1A <i>Corrente nominale</i>	
 CE (RoHS)	USB 3.0 snap in coupler USB A female to female Accoppiatore USB 3.0 - USB A fem./fem. con aggancio a scatto	2500.0024.0
	Nominal voltage 50V AC/DC <i>Tensione nominale</i> Nominal current 1A <i>Corrente nominale</i>	
 CE (RoHS)	RCA snap in socket Prese RCA con aggancio a scatto	2500.0019.1
	RCA female - IDC 110 terminal Pres a RCA - Terminali IDC 110	
 (RoHS)	Keystone jack DIN rail support Material UL 94-V0 grey Supporto per "Keystone jack" su guida DIN Materiale UL 94-V0 grigio	
	See also page 55.24 Vedere anche pag. 55.24	
	For UTP jack	3300.0180.0
	For STP jack	3300.0181.0
	Side cup Coperchio laterale	3300.0182.0

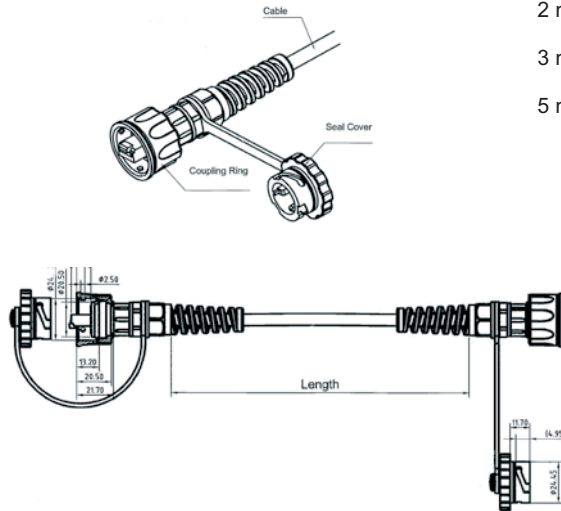
Technical characteristics - *Caratteristiche tecniche*

Part No.
Codice

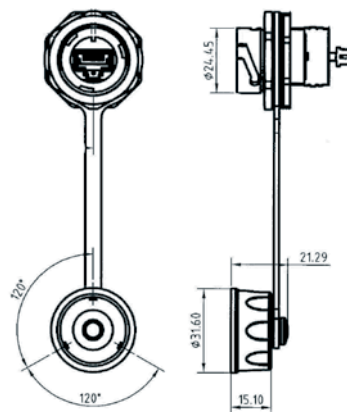
Patch cords with strain relief and cap, 8p8c, male shielded connector
Cavi di collegamento con proteggicavo e coperchio, connettore maschio 8p8c schermato

Length
Lunghezza

1 m.	2100.3502.1
2 m.	2100.3502.2
3 m.	2100.3502.3
5 m.	2100.3502.5



Female shielded connectors panel mounting, 8p8c
Connettore femmina da pannello schermato, 8p8c



2100.3525.0

IP66 / IP67 / IP69
EN 60529

Technical characteristics

Caratteristiche tecniche

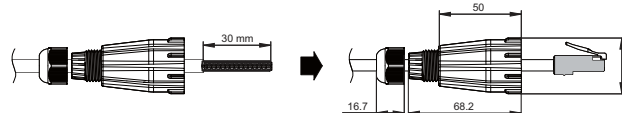
- Insulation resistance: 5 MΩ min. 100 d.c.
- Dielectric withstanding voltage: 1000 V RMS
- Contact resistance: 20 mΩ max.
- Working current: 2 A
- Operating temperature: -20 ÷ +60 C°
- Mechanical working life: > 700 cycles
- Materials: High impact, plastic
- Flammability: UL94.V0
- Degree of protection acc. to EN 60529: IP66 / IP67 / IP69
- Contacts: Gold plated copper alloy
- Terminals: LSA IDC for 22-26 AWG wires

- *Resistenza di isolamento:* 5 MΩ min. 100 d.c.
- *Tensione di isolamento:* 1000 V RMS
- *Resistenza di contatto:* 20 mΩ max.
- *Corrente nominale:* 2 A
- *Temperatura di lavoro:* -20 ÷ +60 C°
- *Vita meccanica:* > 700 cicli
- *Materiali:* Materiale isolato resistente agli urti UL94.V0
- *Autoestinguenza:*
- *Grado di protezione secondo EN 60529:* IP66 / IP67 / IP69
- *Contatti:* Lega di rame, doratura IDC LSA per conduttori 22-26 AWG
- *Terminali:*

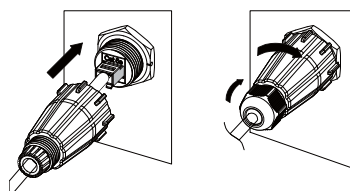
Technical characteristics - <i>Caratteristiche tecniche</i>		Part No. Codice
<p>IP66/IP67</p> <p>PF 3/4"-14</p> <p>30.2</p> <p>32.8</p> <p>MAX 66.2</p> <p>16.3</p> <p>14.8</p> <p>31.3</p> <p>12.6</p> <p>32.7</p> <p>37.8 REF.</p> <p>16.7</p> <p>IDC 110 terminals</p>	<p>RJ45 coupler female to female Accoppiatore RJ45 femmina - femmina</p> <p>CAT5e</p> <p>CAT6</p> <ul style="list-style-type: none"> - Insulation resistance: 5 MΩ min. 100 d.c. - Dielectric withstanding voltage: 1000 V RMS - Contact resistance: 20 mΩ max. - Working current: 2 A - Operating temperature: -20 + +60 C° - Mechanical working life: > 700 cycles - Materials: High impact, plastic - Flammability: UL94.V0 - Degree of protection acc. to EN 60529: IP66 / IP67 - Contacts: Gold plated copper alloy - Terminals: 110 IDC for 22-26AWG wires <ul style="list-style-type: none"> - <i>Resistenza di isolamento:</i> 5 MΩ min. 100 d.c. - <i>Tensione di isolamento:</i> 1000 V RMS - <i>Resistenza di contatto:</i> 20 mΩ max. - <i>Corrente nominale:</i> 2 A - <i>Temperatura di lavoro:</i> -20 + +60 C° - <i>Vita meccanica:</i> > 700 cicli - <i>Materiali:</i> Materiale isolato resistente agli urti - <i>Autoestinguenza:</i> UL94.V0 - <i>Grado di protezione secondo EN 60529:</i> IP66 / IP67 - <i>Contatti:</i> Lega di rame, dorati - <i>Terminali:</i> 110 IDC per conduttori 22-26 AWG <p>RJ45 IDC connector 110 terminals Connettore IDC RJ45 terminali 110</p> <p>CAT5e</p> <p>CAT6</p>	<p>2100.3531.1</p> <p>2100.3533.1</p>
	<p>IP66/IP67</p> <p>31.3</p> <p>12.6</p> <p>32.7</p> <p>37.8 REF.</p> <p>16.7</p>	<p>RJ45 IDC connector 110 terminals Connettore IDC RJ45 terminali 110</p> <p>CAT5e</p> <p>CAT6</p>
<p>IP66/IP67</p> <p>50</p> <p>16.7</p> <p>68.2</p>	<p>Hard protection assembly for RJ45 plug with cable gland For cable Dia 4-8 mm <i>Protezione rigida per spina RJ45 con pressacavo</i> <i>Per cavi di diametro 4-8 mm</i></p>	<p>2100.3536.1</p>

Application - Applicazione

- 1 - Strip the cable approximately 30 mm, spread each pair and crimp the modular RJ45 plug.
 1 - *Spellare il cavo di circa 30 mm, separare i conduttori e crimparli alla spina modulare RJ45.*



- 2 - Mate the modular plug with socket, and screw tight the body. The mating connection is waterproof.
 2 - *Inserire la spina nella presa ed avvitare la protezione rigida sul corpo della presa. La connessione è waterproof.*





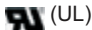









Part No. bold letters refer to standard availability.
 Normal letters refer to item on special request.
 I codici in grassetto indicano i prodotti di normale disponibilità.
 Il carattere normale indica i prodotti speciali su richiesta


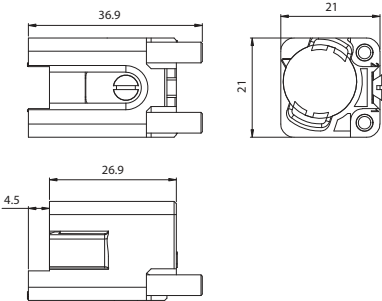

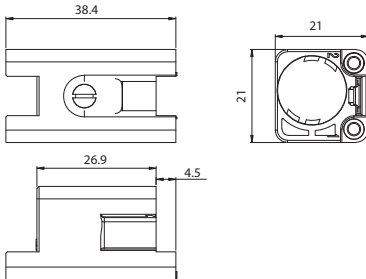


**100% copper
 30µ" gold**

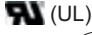








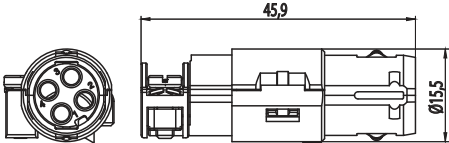
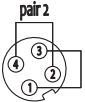

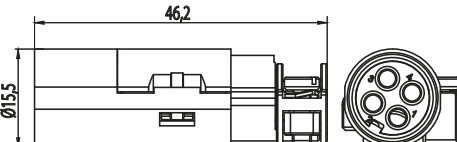
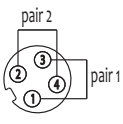


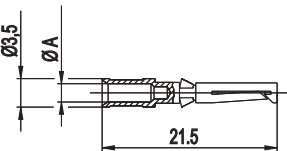

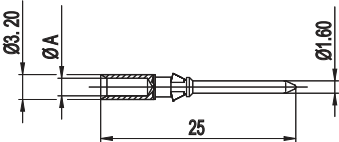
Description - Descrizione	Length m. Lunghezza m.	Part No. - Codice				
		Red - Rosso	Blue - Blu	Green - Verde	Yellow - Giallo	Grey - Grigio
CAT5e - 100 MHz Shielded Patch cords Cordoni di permutazione schermati Temperature rating: 0 ÷ +75°C Temperatura di esercizio: Compliance with: Secondo: - ISO/IEC 11801 class D - EIA/TIA - 568-C.2 - EN 50173-2 - IEC 60332.1 - UL444 RJ45 8p8C male to male F/UTP cable Stranded wires AWG26 RJ45 connector slim type for high density equipments LSZH jacket <i>RJ45 8p8C maschio/maschio, cavo F-UTP, Conduttori flessibili AWG26 Connettore RJ45 tipo "slim" per apparecchiature ad alta densità Guaina LSZH</i> Flammability: Flame retardant alogen free Protection degree: IP20 (EN 60529) Autoestinguenza: A fiamma ritardata, zero alogenuri Grado di protezione: IP20 (EN 60529)	0,5	2100.3405.0	2100.3404.0	2100.3403.0	2100.3402.0	2100.3401.0
	1,0	2100.3405.1	2100.3404.1	2100.3403.1	2100.3402.1	2100.3401.1
	1,5	2100.3405.B	2100.3404.B	2100.3403.B	2100.3402.B	2100.3401.B
	2,0	2100.3405.2	2100.3404.2	2100.3403.2	2100.3402.2	2100.3401.2
	3,0	2100.3405.3	2100.3404.3	2100.3403.3	2100.3402.3	2100.3401.3
	5,0	2100.3405.5	2100.3404.5	2100.3403.5	2100.3402.5	2100.3401.5
	8,0	2100.3405.8	2100.3404.8	2100.3403.8	2100.3402.8	2100.3401.8
	10,0	2100.3405.A	2100.3404.A	2100.3403.A	2100.3402.A	2100.3401.A
CAT6 - 250 MHz Shielded Patch cords Cordoni di permutazione schermati Temperature rating: 0 ÷ +75°C Temperatura di esercizio: Compliance with: Secondo: - ISO/IEC 11801 class E - EIA/TIA - 568-C.2 - EN 50173-2 - IEC 60332.1 - UL444 RJ45 8p8C male to male F/UTP cable Stranded wires AWG26 RJ45 connector slim type for high density equipment LSZH jacket <i>RJ45 8p8C maschio/maschio, cavo F-UTP, Conduttori flessibili AWG26 Connettore RJ45 tipo "slim" per apparecchiature ad alta densità Guaina LSZH</i> Flammability: Flame retardant alogen free Protection degree: IP20 (EN 60529) Autoestinguenza: A fiamma ritardata, zero alogenuri Grado di protezione: IP20 (EN 60529)	0,5	2100.3410.0	2100.3409.0	2100.3408.0	2100.3407.0	2100.3406.0
	1,0	2100.3410.1	2100.3409.1	2100.3408.1	2100.3407.1	2100.3406.1
	1,5	2100.3410.B	2100.3409.B	2100.3408.B	2100.3407.B	2100.3406.B
	2,0	2100.3410.2	2100.3409.2	2100.3408.2	2100.3407.2	2100.3406.2
	3,0	2100.3410.3	2100.3409.3	2100.3408.3	2100.3407.3	2100.3406.3
	5,0	2100.3410.5	2100.3409.5	2100.3408.5	2100.3407.5	2100.3406.5
	8,0	2100.3410.8	2100.3409.8	2100.3408.8	2100.3407.8	2100.3406.8
	10,0	2100.3410.A	2100.3409.A	2100.3408.A	2100.3407.A	2100.3406.A

Applications - Applicazioni keystone jack couplers pag. 09.24, 09.26	Dimensions in mm Part No. bold letters refer to standard availability. Normal letters refer to items on special request. Dimensioni in mm I codici in grassetto indicano i prodotti di normale disponibilità. Il carattere normale indica i prodotti speciali su richiesta.
--	---


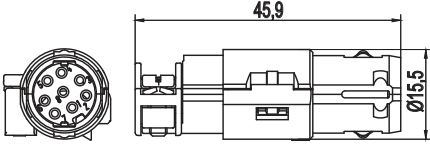

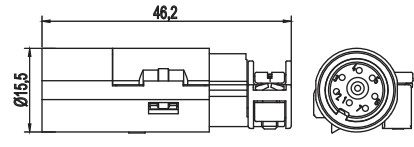

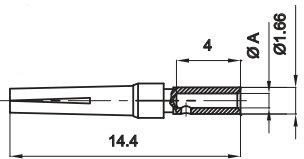

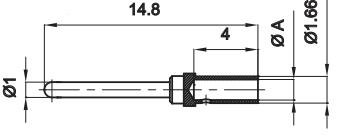
Technical characteristics	Caratteristiche tecniche
<p>Specifications: EN 60664.1 EN 61984 UL 1977</p>	<p>Norme di riferimento: EN 60664.1 EN 61984 UL 1977</p>
<p>Approvals:  (UL)  </p>	<p>Approvazioni:  (UL)  </p>
<p>Insert: For 1 BUS connector S-CX serie</p>	<p>Inseriti: Per 1 connettore BUS serie S-CX</p>
<p>Electrical data acc. to EN 61984</p> <p style="text-align: right;">10A 50V 0.8kV 3</p> <p>Working current _____ Working voltage _____ Rated impulse voltage _____ Pollution degree _____</p> <p>Power contacts 2 (S-D series 10A crimp type) Insulation resistance $\geq 10^{10} \Omega$ Material of adapter Polycarbonate Limiting temperatures - 40 °C ... + 125 °C Flammability acc. to UL94 V0 Mechanical working life ≥ 500 cycles</p>	<p>Caratteristiche elettriche secondo EN 61984</p> <p style="text-align: right;">10A 50V 0.8kV 3</p> <p>Corrente nominale _____ Tensione nominale _____ Tensione ad impulso _____ Grado di inquinamento _____</p> <p>Contatti di potenza 2 (serie S-D 10A a crimpare) Resistenza di isolamento $\geq 10^{10} \Omega$ Materiale dell'adattatore Polycarbonato Limiti di temperature - 40 °C ... + 125 °C Autoestinguenza UL94 V0 Vita meccanica ≥ 500 cicli</p>
<p>Tecnical characteristics of BUS connectors:</p> <ul style="list-style-type: none"> - S-CX/4 see page 10.03 - S-CX/8 see page 10.05 - S-CX/75 see page 10.07 - S-CX/50 see page 10.09 	<p>Caratteristiche tecniche dei connettori BUS:</p> <ul style="list-style-type: none"> - S-CX/4 vedere pag. 10.03 - S-CX/8 vedere pag. 10.05 - S-CX/75 vedere pag. 10.07 - S-CX/50 vedere pag. 10.09
<p>Recommended enclosures: See section 17</p>	<p>Custodie suggerite: Vedere sezione 17</p>
<p>Hood/Housing metal:</p> <p>Type: STD, HE, EMC, HP-HE, HP-EMC</p> <p>Size 3A «21x21» Material Die cast aluminium Surface Powder coated Locking element With metal lever or screws Hoods/Housings seal NBR Limiting temperatures -40 °C ... + 125 °C Degree of protection acc. to EN 60529 for coupled connector IP66/IP67 or IP68 (HP-HE) Thread Metric EN 50262 Pg DIN 40430</p>	<p>Custodie metalliche:</p> <p>Tipo: STD, HE, EMC, HP-HE, HP-EMC</p> <p>Grandezza 3A «21x21» Materiale Fusione di alluminio Finitura Verniciatura a polvere Sistema di chiusura Con leva metallica o viti Guarnizioni NBR Limiti di temperature -40 °C ... + 125 °C Grado di protezione secondo EN 60529 connettori accoppiati IP66/IP67 o IP68 (HP-HE) Filettature Metrica EN 50262 Pg DIN 40430</p>
	
<p> UL Type 4/4x/12  For the enclosures Per le custodie</p>	

Insert adapter for 1 BUS circular or coaxial connector <i>Inserto adattatore per 1 connettore BUS circolare coassiale</i>					Part No. Codice						
 <ul style="list-style-type: none"> - With 2 female power contacts to be ordered separately - Con 2 contatti femmina da ordinare separatamente 		Insert adapter with 2 power female contacts <i>Inserto adattatore con 2 contatti di potenza femmina</i> 			7701.3487.0						
 <ul style="list-style-type: none"> - With 2 male power contacts to be ordered separately - Con 2 contatti maschio da ordinare separatamente 		Insert adapter with 2 power male contacts <i>Inserto adattatore con 2 contatti di potenza maschio</i> 			7701.3489.0						
Crimp turned contacts <i>Contatti a crimpare torniti</i>				Stripping length <i>Spellatura filo</i>	Ø A	Wire mm ² <i>Filo mm²</i>	Wire gauge <i>Calibro filo</i>	Part No. - Codice			
 <p>Female <i>Femmina</i></p>  <p>Male <i>Maschio</i></p>				mm 8 0,90 8 1,10 8 1,30 8 1,45 8 1,75 6 2,25		0.14 - 0.37 0.5 0.75 1.0 1.5 2.5		26-22 AWG 20 AWG 18 AWG 18 AWG 16 AWG 14 AWG		Silver plated <i>Argentati</i> Gold plated <i>Dorati</i>	
				21.5 25		26-22 AWG 20 AWG 18 AWG 18 AWG 16 AWG 14 AWG		7100.4201.0 7100.4202.0 7100.4203.0 7100.4204.0 7100.4205.0 7100.4206.0 7100.4211.0 7100.4212.0 7100.4213.0 7100.4214.0 7100.4215.0 7100.4216.0		7100.4201.1 7100.4202.1 7100.4203.1 7100.4204.1 7100.4205.1 7100.4206.1 7100.4211.1 7100.4212.1 7100.4213.1 7100.4214.1 7100.4215.1 7100.4216.1	
<ul style="list-style-type: none"> - Material: Copper alloy - Materiale: Lega di rame - Surface: Silver or gold plated - Finitura: Argentati o dorati 				For the best performance and the lowest contact resistance, Molex recommends the use of manual tools, die sets and machines illustrated in the section 60 of this catalogue <i>Per le migliori caratteristiche e la minima resistenza di contatto, si raccomanda l'utilizzo delle pinze manuali, gli applicatori e le macchine illustrate nella sezione 60 di questo catalogo</i>							

Technical characteristics	Caratteristiche tecniche																																																																
<p>Specifications: EN 60664.1 EN 61984 UL 1977 CSA C22.2 No. 182.3</p> <p>Approvals:  (UL)  </p> <p>Number of contacts: 4 + shield</p> <p>Electrical data acc. to EN 61984</p> <table border="1" data-bbox="135 667 646 801"> <tr> <td></td> <td style="text-align: right;">10A 50V 0.8kV 3</td> </tr> <tr> <td>Working current</td> <td>_____</td> </tr> <tr> <td>Working voltage</td> <td>_____</td> </tr> <tr> <td>Rated impulse voltage</td> <td>_____</td> </tr> <tr> <td>Pollution degree</td> <td>_____</td> </tr> </table> <p>Working voltage acc. to UL/CSA: 50V</p> <p>Materials:</p> <table border="1" data-bbox="135 936 694 1070"> <tr> <td>Insulating body</td> <td>Polycarbonate</td> </tr> <tr> <td>Shield</td> <td>Zinc alloy nikel plated</td> </tr> <tr> <td>Limiting temperatures</td> <td>- 40 °C ... + 85 °C</td> </tr> <tr> <td>Flammability acc. to</td> <td>UL94 V0</td> </tr> <tr> <td>Mechanical working life</td> <td>≥ 500 cycles</td> </tr> </table> <p>Contact turned:</p> <table border="1" data-bbox="135 1149 614 1305"> <tr> <td>Material</td> <td>Copper alloy</td> </tr> <tr> <td>Surface</td> <td>Gold plated</td> </tr> <tr> <td>Contact resistance</td> <td>≤ 3 m Ω</td> </tr> <tr> <td>Crimp terminal</td> <td></td> </tr> <tr> <td>mm²</td> <td>0.14 ÷ 2.5</td> </tr> <tr> <td>AWG</td> <td>26 ÷ 14</td> </tr> </table> <p>Shield with strain relief for cables DIA 3 ÷ 9.5 mm</p> <p>Molex suggest the use of gold plated contacts in application with small signal: see note of page 00.20</p> <p>For 2 pairs STP cables in accordance with ISO/IEC 11801-2, EN 50173-2, Class D (CAT5), 100MHz.</p>		10A 50V 0.8kV 3	Working current	_____	Working voltage	_____	Rated impulse voltage	_____	Pollution degree	_____	Insulating body	Polycarbonate	Shield	Zinc alloy nikel plated	Limiting temperatures	- 40 °C ... + 85 °C	Flammability acc. to	UL94 V0	Mechanical working life	≥ 500 cycles	Material	Copper alloy	Surface	Gold plated	Contact resistance	≤ 3 m Ω	Crimp terminal		mm ²	0.14 ÷ 2.5	AWG	26 ÷ 14	<p>Norme di riferimento: EN 60664.1 EN 61984 UL 1977 CSA C22.2 No. 182.3</p> <p>Approvazioni:  (UL)  </p> <p>No. dei contatti: 4 + schermo</p> <p>Caratteristiche elettriche secondo EN 61984</p> <table border="1" data-bbox="837 667 1348 801"> <tr> <td></td> <td style="text-align: right;">10A 50V 0,8kV 3</td> </tr> <tr> <td>Corrente nominale</td> <td>_____</td> </tr> <tr> <td>Tensione nominale</td> <td>_____</td> </tr> <tr> <td>Tensione ad impulso</td> <td>_____</td> </tr> <tr> <td>Grado di inquinamento</td> <td>_____</td> </tr> </table> <p>Tensione nominale secondo UL/CSA: 50V</p> <p>Materiali:</p> <table border="1" data-bbox="837 936 1396 1070"> <tr> <td>Corpo isolante</td> <td>Polycarbonate</td> </tr> <tr> <td>Schermo</td> <td>Lega di zinco nichelata</td> </tr> <tr> <td>Limiti di temperature</td> <td>- 40 °C ... + 85 °C</td> </tr> <tr> <td>Autoestinguenza</td> <td>UL94 V0</td> </tr> <tr> <td>Vita meccanica</td> <td>≥ 500 cicli</td> </tr> </table> <p>Contatti torniti:</p> <table border="1" data-bbox="837 1149 1316 1305"> <tr> <td>Materiale</td> <td>Lega di rame</td> </tr> <tr> <td>Finitura</td> <td>Dorati</td> </tr> <tr> <td>Resistenza di contatto</td> <td>≤ 3 m Ω</td> </tr> <tr> <td>Terminali a crimpare</td> <td></td> </tr> <tr> <td>mm²</td> <td>0.14 ÷ 2.5</td> </tr> <tr> <td>AWG</td> <td>26 ÷ 14</td> </tr> </table> <p>Schermo con fermacavo per cavi DIA 3 ÷ 9.5 mm</p> <p>Molex consiglia l'impiego di soli contatti dorati in applicazioni con segnali deboli: vedere nota di pag. 00.20</p> <p>Per cavi STP con 2 coppie secondo le norme ISO/IEC 11801-2, EN 50173-2 Classe D (CAT5), 100 MHz</p>		10A 50V 0,8kV 3	Corrente nominale	_____	Tensione nominale	_____	Tensione ad impulso	_____	Grado di inquinamento	_____	Corpo isolante	Polycarbonate	Schermo	Lega di zinco nichelata	Limiti di temperature	- 40 °C ... + 85 °C	Autoestinguenza	UL94 V0	Vita meccanica	≥ 500 cicli	Materiale	Lega di rame	Finitura	Dorati	Resistenza di contatto	≤ 3 m Ω	Terminali a crimpare		mm ²	0.14 ÷ 2.5	AWG	26 ÷ 14
	10A 50V 0.8kV 3																																																																
Working current	_____																																																																
Working voltage	_____																																																																
Rated impulse voltage	_____																																																																
Pollution degree	_____																																																																
Insulating body	Polycarbonate																																																																
Shield	Zinc alloy nikel plated																																																																
Limiting temperatures	- 40 °C ... + 85 °C																																																																
Flammability acc. to	UL94 V0																																																																
Mechanical working life	≥ 500 cycles																																																																
Material	Copper alloy																																																																
Surface	Gold plated																																																																
Contact resistance	≤ 3 m Ω																																																																
Crimp terminal																																																																	
mm ²	0.14 ÷ 2.5																																																																
AWG	26 ÷ 14																																																																
	10A 50V 0,8kV 3																																																																
Corrente nominale	_____																																																																
Tensione nominale	_____																																																																
Tensione ad impulso	_____																																																																
Grado di inquinamento	_____																																																																
Corpo isolante	Polycarbonate																																																																
Schermo	Lega di zinco nichelata																																																																
Limiti di temperature	- 40 °C ... + 85 °C																																																																
Autoestinguenza	UL94 V0																																																																
Vita meccanica	≥ 500 cicli																																																																
Materiale	Lega di rame																																																																
Finitura	Dorati																																																																
Resistenza di contatto	≤ 3 m Ω																																																																
Terminali a crimpare																																																																	
mm ²	0.14 ÷ 2.5																																																																
AWG	26 ÷ 14																																																																

Shielded circular BUS connectors with 4 contacts 10A S-D series Connettori BUS circolari schermati con 4 contatti serie S-D 10A		Numbering Numerazione	Part No. Codice				
<p>Female connector Connettore femmina</p>  <p>Female crimp contact 10A, 4 pcs. to be ordered separately Contatti femmina a crimpare 4 pz., da ordinare separatamente</p>	  <p>With strain reliefs for cables DIA 3 + 9.5 mm Con fermacavi per cavi DIA 3 + 9,5 mm</p>	1 - 4	7704.3494.0				
<p>Male connector Connettore maschio</p>  <p>Male crimp contact 10A, 4 pcs. to be ordered separately Contatti maschio a crimpare 4 pz., da ordinare separatamente</p>	  <p>With strain reliefs for cables DIA 3 + 9.5 mm Con fermacavi per cavi DIA 3 + 9,5 mm</p>	1 - 4	7704.3496.0				
10A S-D serie crimp contacts, turned Contatti a crimpare da 10A serie S-D, torniti		Stripping length Spellatura filo	Ø A	Wire mm ² Filo mm ²	Wire gauge Calibro filo	Part No. Codice	
  <p>Female Femmina</p>   <p>Male Maschio</p> 		mm					
		8	0,90	0.14 - 0.37	26-22 AWG	7100.4201.1	
		8	1,10	0.5	20 AWG	7100.4202.1	
		8	1,30	0.75	18 AWG	7100.4203.1	
		8	1,45	1.0	18 AWG	7100.4204.1	
		8	1,75	1.5	16 AWG	7100.4205.1	
		6	2,25	2.5	14 AWG	7100.4206.1	
		8	0,90	0.14 - 0.37	26-22 AWG	7100.4211.1	
		8	1,10	0.5	20 AWG	7100.4212.1	
		8	1,30	0.75	18 AWG	7100.4213.1	
		8	1,45	1.0	18 AWG	7100.4214.1	
		8	1,75	1.5	16 AWG	7100.4215.1	
		6	2,25	2.5	14 AWG	7100.4216.1	
		<p>For the best performance and the lowest contact resistance, Molex recommends the use of manual tools, die sets and machines illustrated in the section 60 of this catalogue</p> <p>Per le migliori caratteristiche e la minima resistenza di contatto, si raccomanda l'utilizzo delle pinze manuali, gli applicatori e le macchine illustrate nella sezione 60 di questo catalogo</p>					
		<p>- Material: Copper alloy Materiale: Lega di rame</p> <p>- Surface: Gold plated Finitura: Dorati</p>					

Technical characteristics	Caratteristiche tecniche																																												
<p>Specifications: EN 60664.1 EN 61984 UL 1977 CSA C22.2 No. 182.3</p> <p>Approvals: (UL) </p> <p>Number of contacts: 8 + shield</p> <p>Electrical data acc. to EN 61984</p> <p style="text-align: right;">5A 50V 0.8kV 3</p> <p>Working current _____ Working voltage _____ Rated impulse voltage _____ Pollution degree _____</p> <p>Working voltage acc. to UL/CSA: 50V</p> <p>Materials:</p> <table border="0"> <tr> <td>Insulating body</td> <td>Polycarbonate</td> </tr> <tr> <td>Shield</td> <td>Zinc alloy nickel plated</td> </tr> <tr> <td>Limiting temperatures</td> <td>- 40 °C ... + 85 °C</td> </tr> <tr> <td>Flammability acc. to</td> <td>UL94 V0</td> </tr> <tr> <td>Mechanical working life</td> <td>≥ 500 cycles</td> </tr> </table> <p>Contact turned:</p> <table border="0"> <tr> <td>Material</td> <td>Copper alloy</td> </tr> <tr> <td>Surface</td> <td>Gold plated</td> </tr> <tr> <td>Contact resistance</td> <td>≤ 4 m Ω</td> </tr> <tr> <td>Crimp terminal</td> <td></td> </tr> <tr> <td>mm²</td> <td>0.08 ÷ 0.50</td> </tr> <tr> <td>AWG</td> <td>28 ÷ 20</td> </tr> </table> <p>Shield with strain relief for cables DIA 3 ÷ 9.5 mm</p> <p>Molex suggest the use of gold plated contacts in application with small signal: see note of page 00.20</p>	Insulating body	Polycarbonate	Shield	Zinc alloy nickel plated	Limiting temperatures	- 40 °C ... + 85 °C	Flammability acc. to	UL94 V0	Mechanical working life	≥ 500 cycles	Material	Copper alloy	Surface	Gold plated	Contact resistance	≤ 4 m Ω	Crimp terminal		mm ²	0.08 ÷ 0.50	AWG	28 ÷ 20	<p>Norme di riferimento: EN 60664.1 EN 61984 UL 1977 CSA C22.2 No. 182.3</p> <p>Approvazioni: (UL) </p> <p>No. dei contatti: 8 + schermo</p> <p>Caratteristiche elettriche secondo EN 61984</p> <p style="text-align: right;">5A 50V 0.8kV 3</p> <p>Corrente nominale _____ Tensione nominale _____ Tensione ad impulso _____ Grado di inquinamento _____</p> <p>Tensione nominale secondo UL/CSA: 50V</p> <p>Materiali:</p> <table border="0"> <tr> <td>Corpo isolante</td> <td>Polycarbonato</td> </tr> <tr> <td>Schermo</td> <td>Lega di zinco nichelata</td> </tr> <tr> <td>Limiti di temperature</td> <td>- 40 °C ... + 85 °C</td> </tr> <tr> <td>Autoestinguenza</td> <td>UL94 V0</td> </tr> <tr> <td>Vita meccanica</td> <td>≥ 500 cicli</td> </tr> </table> <p>Contatti torniti:</p> <table border="0"> <tr> <td>Materiale</td> <td>Lega di rame</td> </tr> <tr> <td>Finitura</td> <td>Dorati</td> </tr> <tr> <td>Resistenza di contatto</td> <td>≤ 4 m Ω</td> </tr> <tr> <td>Terminali a crimpare</td> <td></td> </tr> <tr> <td>mm²</td> <td>0.08 ÷ 0.50</td> </tr> <tr> <td>AWG</td> <td>28 ÷ 20</td> </tr> </table> <p>Schermo con fermacavo per cavi DIA 3 ÷ 9.5 mm</p> <p>Molex consiglia l'impiego di soli contatti dorati in applicazioni con segnali deboli: vedere nota di pag. 00.20</p>	Corpo isolante	Polycarbonato	Schermo	Lega di zinco nichelata	Limiti di temperature	- 40 °C ... + 85 °C	Autoestinguenza	UL94 V0	Vita meccanica	≥ 500 cicli	Materiale	Lega di rame	Finitura	Dorati	Resistenza di contatto	≤ 4 m Ω	Terminali a crimpare		mm ²	0.08 ÷ 0.50	AWG	28 ÷ 20
Insulating body	Polycarbonate																																												
Shield	Zinc alloy nickel plated																																												
Limiting temperatures	- 40 °C ... + 85 °C																																												
Flammability acc. to	UL94 V0																																												
Mechanical working life	≥ 500 cycles																																												
Material	Copper alloy																																												
Surface	Gold plated																																												
Contact resistance	≤ 4 m Ω																																												
Crimp terminal																																													
mm ²	0.08 ÷ 0.50																																												
AWG	28 ÷ 20																																												
Corpo isolante	Polycarbonato																																												
Schermo	Lega di zinco nichelata																																												
Limiti di temperature	- 40 °C ... + 85 °C																																												
Autoestinguenza	UL94 V0																																												
Vita meccanica	≥ 500 cicli																																												
Materiale	Lega di rame																																												
Finitura	Dorati																																												
Resistenza di contatto	≤ 4 m Ω																																												
Terminali a crimpare																																													
mm ²	0.08 ÷ 0.50																																												
AWG	28 ÷ 20																																												

Shielded circular BUS connectors with 8 D-SUB contacts <i>Connettori BUS circolari schermati con 8 contatti D-SUB</i>		Numbering <i>Numerazione</i>	Part No. <i>Codice</i>				
Female connector Connettore femmina  <p>Female crimp contact 8 pcs. to be ordered separately <i>Contatti femmina a crimpare 8 pz., da ordinare separatamente</i></p>	 <p>With strain reliefs for cables DIA 3 + 9.5 mm <i>Con fermacavi per cavi DIA 3 + 9,5 mm</i></p>	1 - 8	7708.3518.0				
Male connector Connettore maschio  <p>Male crimp contact 8 pcs. to be ordered separately <i>Contatti maschio a crimpare 8 pz., da ordinare separatamente</i></p>	 <p>With strain reliefs for cables DIA 3 + 9.5 mm <i>Con fermacavi per cavi DIA 3 + 9,5 mm</i></p>	1 - 8	7708.3520.0				
D-Sub 5A crimp contacts, turned <i>Contatti D-Sub a crimpare da 5A, torniti</i>		M/F	Stripping length	ØA	Wire mm ² <i>Fili mm²</i>	Wire gauge <i>Calibro filo</i>	Part.No.-Codice <i>Gold plated</i>
Female connector Connettore femmina  	F	5	0.64	0,08 - 0,20	28-24 AWG	7700.3436.1	
	F	5	0.90	0,14 - 0,35	26-22 AWG	7700.3437.1	
	F	5	1.12	0,35 - 0,50	22-20 AWG	7700.3438.1	
	M	5	0.64	0,08 - 0,20	28-24 AWG	7700.3440.1	
	M	5	0.90	0,14 - 0,35	26-22 AWG	7700.3441.1	
	M	5	1.12	0,35 - 0,50	22-20 AWG	7700.3442.1	
Male connector Connettore maschio  	<p>For the best performance and the lowest contact resistance, Molex recommends the use of manual tools, die sets and machines illustrated in the section 60 of this catalogue <i>Per le migliori caratteristiche e la minima resistenza di contatto, si raccomanda l'utilizzo delle pinze manuali, gli applicatori e le macchine illustrate nella sezione 60 di questo catalogo</i></p>						
<ul style="list-style-type: none"> - Material: Copper alloy - <i>Materiale:</i> Lega di rame - Surface: Gold plated - <i>Finitura:</i> Dorati 							

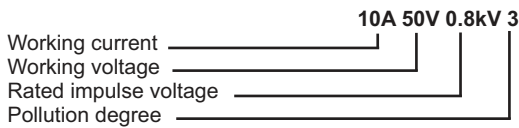
Technical characteristics	Caratteristiche tecniche
---------------------------	--------------------------

Specifications: EN 60664.1
 EN 61984
 UL 1977
 CSA C22.2 No. 182.3

Approvals:  (UL)
 

Number of contacts: 1 + shield

Electrical data acc. to EN 61984



Working voltage acc. to UL/CSA: 50V

Materials:

Insulating body Polycarbonate
 Shield Zinc alloy nickel plated
 Limiting temperatures - 40 °C ... + 85 °C
 Flammability acc. to UL94 V0
 Mechanical working life ≥ 500 cycles

Contact turned:

Material Copper alloy
 Surface Gold plated
 Contact resistance ≤ 3 m Ω
 Crimp terminal
 mm² 0.14 + 2.50
 AWG 26 + 14

Shield with strain relief for cables DIA 3 + 9.5 mm


Molex suggest the use of gold plated contacts in application with small signal: see note of page 00.20

Impedance: 75 Ω

Cable: Coaxial cables with impedance 75 Ω: RG11A/U, RG179 B/U, RG187 A/U, etc.

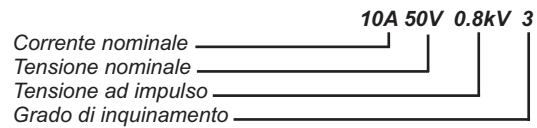
Attenuation (insertion loss): 0.01 dB ± 0.05 dB (10 + 400MHz)

Norme di riferimento: EN 60664.1
 EN 61984
 UL 1977
 CSA C22.2 No. 182.3

Approvazioni:  (UL)
 

No. dei contatti: 1 + schermo

Caratteristiche elettriche secondo EN 61984



Tensione nominale secondo UL/CSA: 50V

Materiali:

Corpo isolante Polycarbonato
 Schermo Lega di zinco nichelata
 Limiti di temperatura - 40 °C ... + 85 °C
 Autoestinguenza UL94 V0
 Vita meccanica ≥ 500 cicli

Contatti torniti:

Materiale Lega di rame
 Finitura Dorati
 Resistenza di contatto ≤ 3 m Ω
 Terminali a crimpare
 mm² 0.14 + 2.50
 AWG 26 + 14

Schermo con fermacavo per cavi DIA 3 + 9.5 mm

Molex consiglia l'impiego di soli contatti dorati in applicazioni con segnali deboli: vedere nota di pag. 00.20

Impedenza: 75 Ω

Cavo: Cavi coassiali con impedenza caratteristica 75 Ω, RG11A/U, RG179 B/U, RG187 A/U, ecc.

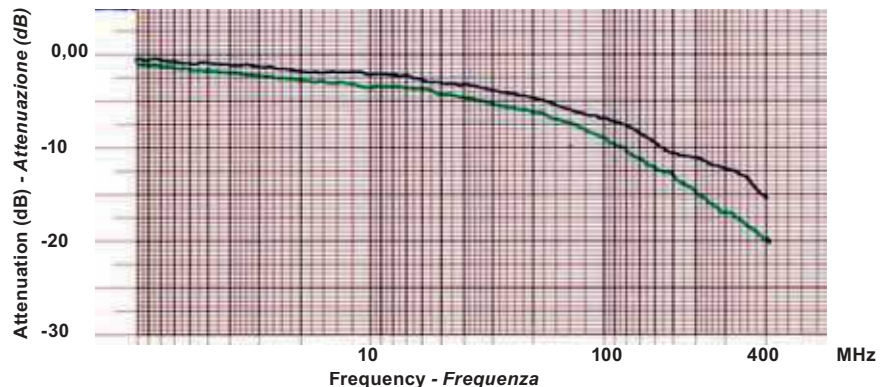
Perdita di segnale: 0.01 dB ± 0.05 dB (10 + 400MHz)


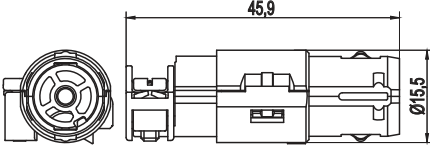

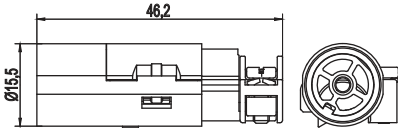


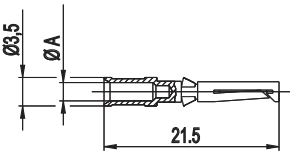

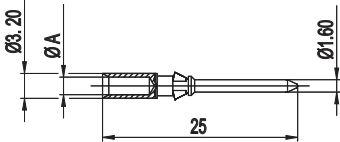
Attenuation (Insertion loss) - Attenuazione (perdita di inserzione)
Coaxial connector 75 Ohm - Connettore coassiale 75 Ohm

— RG11A/U
 — RG11A/U + S-CX/75 conn.

In accordance with:
 IEC/EN 60512-25-2
 STD. Attenuation
 (Insertion loss)

Secondo la Norma
 IEC/EN 60512-25-2
 Attenuazione
 (Perdita di inserzione)



Shielded coaxial connectors with 1 contact 10A S-D series Connettori coassiali schermati con 1 contatto serie S-D 10A		Numbering Numerazione	Part No. Codice			
<p>Female connector <i>Connettore femmina</i></p>  <p>Female crimp contact 1 pc. to be ordered separately <i>Contatti femmina a crimpare 1 pz., da ordinare separatamente</i></p>	 <p>With strain reliefs for cables DIA 3 + 9.5 mm <i>Con fermacavi per cavi DIA 3 + 9,5 mm</i></p>	1	7701.3498.0			
<p>Male connector <i>Connettore maschio</i></p>  <p>Male crimp contact 1 pc. to be ordered separately <i>Contatti maschio a crimpare 1 pz., da ordinare separatamente</i></p>	 <p>With strain reliefs for cables DIA 3 + 9.5 mm <i>Con fermacavi per cavi DIA 3 + 9,5 mm</i></p>	1	7701.3510.0			
10A S-D serie crimp contacts, turned Contatti a crimpare da 10A serie S-D, torniti		Stripping length Spellatura filo	Ø A	Wire mm ² Filo mm ²	Wire gauge Calibro filo	Part.No.-Codice Gold plated Dorati
 <p>Female <i>Femmina</i></p>   <p>Male <i>Maschio</i></p>  	mm					
	8	0,90	0.14 - 0.37	26-22 AWG	7100.4201.1	
	8	1,10	0.5	20 AWG	7100.4202.1	
	8	1,30	0.75	18 AWG	7100.4203.1	
	8	1,45	1.0	18 AWG	7100.4204.1	
	8	1,75	1.5	16 AWG	7100.4205.1	
	6	2,25	2.5	14 AWG	7100.4206.1	
	8	0,90	0.14 - 0.37	26-22 AWG	7100.4211.1	
	8	1,10	0.5	20 AWG	7100.4212.1	
	8	1,30	0.75	18 AWG	7100.4213.1	
	8	1,45	1.0	18 AWG	7100.4214.1	
	8	1,75	1.5	16 AWG	7100.4215.1	
	6	2,25	2.5	14 AWG	7100.4216.1	
	<p>For the best performance and the lowest contact resistance, Molex recommends the use of manual tools, die sets and machines illustrated in the section 60 of this catalogue</p> <p><i>Per le migliori caratteristiche e la minima resistenza di contatto, si raccomanda l'utilizzo delle pinze manuali, gli applicatori e le macchine illustrate nella sezione 60 di questo catalogo</i></p>					
<p>- Material: Copper alloy <i>Materiale: Lega di rame</i></p> <p>- Surface: Gold plated <i>Finitura: Dorati</i></p>						

Technical characteristics	Caratteristiche tecniche
---------------------------	--------------------------

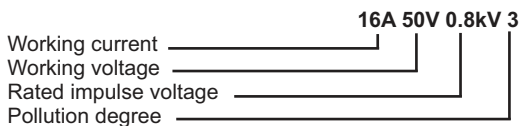
Specifications: EN 60664.1
 EN 61984
 UL 1977
 CSA C22.2 No. 182.3

Approvals:  (UL)



Number of contacts: 1 + shield

Electrical data acc. to EN 61984



Working voltage acc. to UL/CSA: 50V

Materials:

Insulating body: Polycarbonate
 Shield: Zinc alloy nickel plated
 Limiting temperatures: - 40 °C ... + 85 °C
 Flammability acc. to: UL94 V0
 Mechanical working life: ≥ 500 cycles

Contact turned:

Material: Copper alloy
 Surface: Gold plated
 Contact resistance: ≤ 1 m Ω
 Crimp terminal: mm² 0.14 ÷ 4.00
 AWG 26 ÷ 12

Shield with strain relief for cables DIA 3 ÷ 9.5 mm

Molex suggest the use of gold plated contacts in application with small signal: see note of page 00.20

Impedance: 50 Ω

Cable: Coaxial cables with impedance 50 Ω: RG213/U, RG316/U, RG174/U, RG188A/U

Attenuation (insertion loss): 0.05 dB ÷ 0.15 dB (10 ÷ 400MHz)

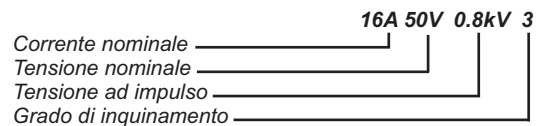
Norme di riferimento: EN 60664.1
 EN 61984
 UL 1977
 CSA C22.2 No. 182.3

Approvazioni:  (UL)



No. dei contatti: 1 + schermo

Caratteristiche elettriche secondo EN 61984



Tensione nominale secondo UL/CSA: 50V

Materiali:

Corpo isolante: Polycarbonato
 Schermo: Lega di zinco nichelata
 Limiti di temperatura: - 40 °C ... + 85 °C
 Autoestinguenza: UL94 V0
 Vita meccanica: ≥ 500 cicli

Contatti torniti:

Materiale: Lega di rame
 Finitura: Dorati
 Resistenza di contatto: ≤ 1 m Ω
 Terminali a crimpare: mm² 0.14 ÷ 4.0
 AWG 26 ÷ 12

Schermo con fermacavo per cavi DIA 3 ÷ 9.5 mm

Molex consiglia l'impiego di soli contatti dorati in applicazioni con segnali deboli: vedere nota di pag. 00.20

Impedenza: 50 Ω

Cavo: Cavi coassiali con impedenza caratteristica 50 Ω: RG213/U, RG316/U, RG174/U, RG188A/U

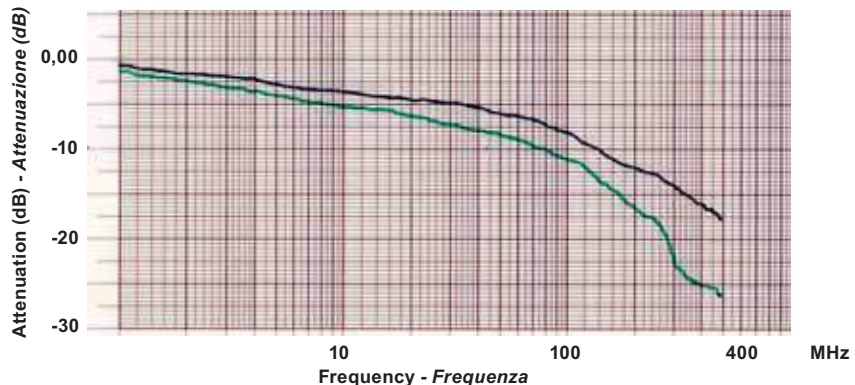
Perdita di segnale: 0.05 dB ÷ 0.15 dB (10 ÷ 400MHz)


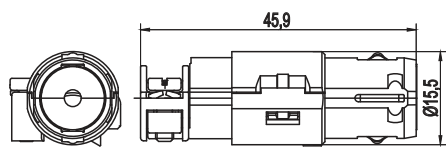

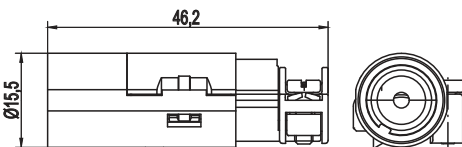



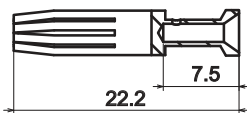
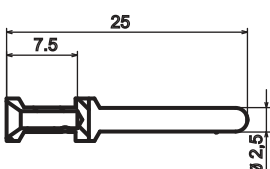
Attenuation (Insertion loss) - Attenuazione (perdita di inserzione)
Coaxial connector 50 Ohm - Connettore coassiale 50 Ohm







— RG11A/U
 — RG11A/U + S-CX/50 conn.





In accordance with:
 IEC/EN 60512-25-2
 STD. Attenuation
 (Insertion loss)







Secondo la Norma
 IEC/EN 60512-25-2
 Attenuazione
 (Perdita di inserzione)






Shielded coaxial connectors with 1 contact 16A S-E serie Connettori coassiali schermati con 1 contatto serie S-E 16A		Numbering Numerazione	Part No. Codice				
<p>Female connector Connettore femmina</p>  <p>Female crimp contact 1 pc. to be ordered separately Contatti femmina a crimpare 1 pz., da ordinare separatamente</p>	 <p>With strain reliefs for cables DIA 3 + 9.5 mm Con fermacavi per cavi DIA 3 + 9,5 mm</p>	1	7701.3512.0				
<p>Male connector Connettore maschio</p>  <p>Male crimp contact 1 pc. to be ordered separately Contatti maschio a crimpare 1 pz., da ordinare separatamente</p>	 <p>With strain reliefs for cables DIA 3 + 9.5 mm Con fermacavi per cavi DIA 3 + 9,5 mm</p>	1	7701.3514.0				
S-E serie 16A crimp contacts, turned Contatti a crimpare serie S-E da 16A, torniti		Stripping length Spellatura mm	Num. of gloves Numero Gole	Wire mm ² Fili mm ²	Wire gauge Calibro filo	Part.No.-Codice Gold plated	
<p></p> <p> Female Femmina</p> <p> Male Maschio</p> <p>- Material: Copper alloy Materiale: Lega di rame - Surface: Gold plated Finitura: Dorati</p>		7.5	0	0.14 - 0.37	26-22 AWG	7300.6240.1	
		7.5	0	0.5	20 AWG	7300.6241.1	
		7.5	1	0.75	18 AWG	7300.6239.1	
		7.5	1	1.0	18 AWG	7300.6242.1	
		7.5	2	1.5	16 AWG	7300.6243.1	
		7.5	2	2.5	14 AWG	7300.6244.1	
		7.5	0	4.0	12 AWG	7300.6245.1	
			7.5	0	0.14 - 0.37	26-22 AWG	7300.6237.1
			7.5	0	0.5	20 AWG	7300.6246.1
			7.5	1	0.75	18 AWG	7300.6236.1
			7.5	1	1.0	18 AWG	7300.6247.1
			7.5	2	1.5	16 AWG	7300.6248.1
			7.5	2	2.5	14 AWG	7300.6249.1
			7.5	0	4.0	12 AWG	7300.6250.1
<p>For the best performance and the lowest contact resistance, Molex recommends the use of manual tools, die sets and machines illustrated in the section 60 of this catalogue Per le migliori caratteristiche e la minima resistenza di contatto, si raccomanda l'utilizzo delle pinze manuali, gli applicatori e le macchine illustrate nella sezione 60 di questo catalogo</p>							

Completed connectors <i>Connettori completi</i>	BUS connector	Thread <i>Filettatura</i>	Part No. of complete connectors <i>Codici dei connettori completi</i>				
			HP-EMC	EMC	HE	STD	
IP66 / IP67 IP68 / IP69 with HP-EMC enclosures    <p>Set composed by:</p> <ul style="list-style-type: none"> - Circular BUS connector 4p - Insert/adaptor for BUS connector - Hood size 3A - 10A crimp power contacts, 2 pcs., to be ordered separately <p>Kit composto da:</p> <ul style="list-style-type: none"> - Connettore BUS circolare - Inserto adattatore per connettore BUS - Custodia mobile grandezza 3A - Contatti a crimpare di potenza da 10A, 2 pz., da ordinare separatamente 	Female	M20	7903.3494.3	7903.3494.4	7903.3494.1	7903.3494.0	
	Female	Pg11/Pg13.5	7913.3494.3	7913.3494.4	7913.3494.1	7913.3494.0	
	Male	M20	7903.3496.3	7903.3496.4	7903.3496.1	7903.3496.0	
	Male	PG11/Pg13.5	7913.3496.3	7913.3496.4	7913.3496.1	7913.3496.0	
	Part No. of used hoods <i>Codici delle custodie utilizzate</i>						
		M20	7803.3443.4	7803.6218.9	7803.6218.6	7803.6218.5	
		Pg11	-	7803.6219.9	7803.6219.6	7803.6219.5	
		Pg 13.5	7803.3444.4	-	-	-	
	Completed connectors <i>Connettori completi</i>						
	IP66 / IP67 IP68 / IP69 with HP-EMC enclosures    <p>Set composed by:</p> <ul style="list-style-type: none"> - Circular BUS connector 4p - Insert/adaptor for BUS connector - Housing size 3A - 10A crimp power contacts 2 pcs. to be ordered separately <p>Kit composto da:</p> <ul style="list-style-type: none"> - Connettore BUS circolare 4p - Inserto adattatore per connettore BUS - Custodia fissa da incasso grandezza 3A - Contatti a crimpare di potenza da 10A 2 pz., da ordinare separatamente 	Female	-	7903.4494.3	7903.4494.4	7903.4494.1	7903.4494.0
Male		-	7903.4496.3	7903.4496.4	7903.4496.1	7903.4496.0	
Part No. of used housings <i>Codici delle custodie utilizzate</i>							
		-	7803.3446.4	7803.6202.4	7803.6202.1	7803.6202.0	
Completed connectors <i>Connettori completi</i>							

Completed connectors <i>Connettori completi</i>	BUS connector	Thread <i>Filettatura</i>	Part No. of complete connectors <i>Codici dei connettori completi</i>				
			HP-EMC	EMC	HE	STD	
IP66 / IP67 IP68 / IP69 with HP-EMC enclosures   Set composed by: <ul style="list-style-type: none"> - Circular BUS connector 8p - Insert/adapter for BUS connector - Hood size 3A - 10A crimp power contacts 2 pcs. to be ordered separately Kit composto da: <ul style="list-style-type: none"> - Connettore BUS circolare 8p - Inserto adattatore per connettore BUS - Custodia mobile grandezza 3A - Contatti a crimpare di potenza da 10A 2 pz., da ordinare separatamente 	Female	M20	7903.3518.3	7903.3518.4	7903.3518.1	7903.3518.0	
	Female	Pg11/Pg13.5	7913.3518.3	7913.3518.4	7913.3518.1	7913.3518.0	
	Male	M20	7903.3520.3	7903.3520.4	7903.3520.1	7903.3520.0	
	Male	PG11/Pg13.5	7913.3520.3	7913.3520.4	7913.3520.1	7913.3520.0	
	Part No. of used hoods <i>Codici delle custodie utilizzate</i>						
		M20	7803.3443.4	7803.6218.9	7803.6218.6	7803.6218.5	
		Pg11/Pg13.5	-	7803.6219.9	7803.6219.6	7803.6219.5	
		Pg 13.5	7803.3444.4	-	-	-	
	Set composed by: <ul style="list-style-type: none"> - Circular BUS connector 8p - Insert/adapter for BUS connector - Hood size 3A - 10A crimp power contacts 2 pcs. to be ordered separately Kit composto da: <ul style="list-style-type: none"> - Connettore BUS circolare 8p - Inserto adattatore per connettore BUS - Custodia mobile grandezza 3A - Contatti a crimpare di potenza da 10A 2 pz., da ordinare separatamente 						
	Completed connectors <i>Connettori completi</i>	BUS connector	Thread <i>Filettatura</i>	Part No. of complete connectors <i>Codici dei connettori completi</i>			
HP-EMC				EMC	HE	STD	
IP66 / IP67 IP68 / IP69 with HP-EMC enclosures   Set composed by: <ul style="list-style-type: none"> - Circular BUS connector 8p - Insert/adapter for BUS connector - Housing size 3A - 10A crimp power contacts 2 pcs. to be ordered separately Kit composto da: <ul style="list-style-type: none"> - Connettore BUS circolare 8p - Inserto adattatore per connettore BUS - Custodia fissa da incasso grandezza 3A - Contatti a crimpare di potenza da 10A 2 pz., da ordinare separatamente 	Female	-	7903.4518.3	7903.4518.4	7903.4518.1	7903.4518.0	
	Male	-	7903.4520.3	7903.4520.4	7903.4520.1	7903.4520.0	
	Part No. of used housings <i>Codici delle custodie utilizzate</i>						
			7803.3446.4	7803.6202.4	7803.6202.1	7803.6202.0	

Completed connectors Connettori completi	BUS connector	Thread Filettatura	Part No. of complete connectors Codici dei connettori completi				
			HP-EMC	EMC	HE	STD	
IP66 / IP67 IP68 / IP69 with HP-EMC enclosures    Set composed by: - Circular BUS connector coaxial 75Ω - Insert/adaptor for BUS connector - Hood size 3A - 10A crimp power contacts 2 pcs. to be ordered separately Kit composto da: - Connettore BUS circolare coassiale 75Ω - Inserto adattatore per connettore BUS - Custodia mobile grandezza 3A - Contatti a crimpare di potenza da 10A 2 pz., da ordinare separatamente	Female	M20	7903.3498.3	7903.3498.4	7903.3498.1	7903.3498.0	
	Female	Pg11/Pg13.5	7913.3498.3	7913.3498.4	7913.3498.1	7913.3498.0	
	Male	M20	7903.3510.3	7903.3510.4	7903.3510.1	7903.3510.0	
	Male	PG11/Pg13.5	7913.3510.3	7913.3510.4	7913.3510.1	7913.3510.0	
	Part No. of used hoods Codici delle custodie utilizzate						
		M20	7803.3443.4	7803.6218.9	7803.6218.6	7803.6218.5	
		Pg11	-	7803.6219.9	7803.6219.6	7803.6219.5	
		Pg 13.5	7803.3444.4	-	-	-	
	Completed connectors Connettori completi	BUS connector	Thread Filettatura	Part No. of complete connectors Codici dei connettori completi			
				HP-EMC	EMC	HE	STD
IP66 / IP67 IP68 / IP69 with HP-EMC enclosures    Set composed by: - Circular BUS connector coaxial 75Ω - Insert/adaptor for BUS connector - Housing size 3A - 10A crimp power contacts 2 pcs. to be ordered separately Kit composto da: - Connettore BUS circolare coassiale 75Ω - Inserto adattatore per connettore BUS - Custodia fissa da incasso grandezza 3A - Contatti a crimpare di potenza da 10A 2 pz., da ordinare separatamente	Female	-	7903.4498.3	7903.4498.4	7903.4498.1	7903.4498.0	
	Male	-	7903.4510.3	7903.4510.4	7903.4510.1	7903.4510.0	
	Part No. of used housings Codici delle custodie utilizzate						
				7803.3446.4	7803.6202.4	7803.6202.1	7803.6202.0

Completed connectors Connettori completi	BUS connector	Thread Filettatura	Part No. of complete connectors Codici dei connettori completi				
			HP-EMC	EMC	HE	STD	
IP66 / IP67 IP68 / IP69 with HP-EMC enclosures    Set composed by: - Circular BUS connector coaxial 50Ω - Insert/adaptor for BUS connector - Hood size 3A - 10A crimp power contacts 2 pcs. to be ordered separately Kit composto da: - Connettore BUS circolare coassiale 50Ω - Inserto adattatore per connettore BUS - Custodia mobile grandezza 3A - Contatti a crimpare di potenza da 10A 2 pz., da ordinare separatamente	Female	M20	7903.3512.3	7903.3512.4	7903.3512.1	7903.3512.0	
	Female	Pg11/Pg13.5	7913.3512.3	7913.3512.4	7913.3512.1	7913.3512.0	
	Male	M20	7903.3514.3	7903.3514.4	7903.3514.1	7903.3514.0	
	Male	PG11/Pg13.5	7913.3514.3	7913.3514.4	7913.3514.1	7913.3514.0	
	Part No. of used hoods Codici delle custodie utilizzate						
		M20	7803.3443.4	7803.6218.9	7803.6218.6	7803.6218.5	
		Pg11	-	7803.6219.9	7803.6219.6	7803.6219.5	
		Pg 13.5	7803.3444.4	-	-	-	
	Part No. of complete connectors Codici dei connettori completi						
				HP-EMC	EMC	HE	STD
Part No. of used housings Codici delle custodie utilizzate							
			7803.3446.4	7803.6202.4	7803.6202.1	7803.6202.0	
Set composed by: - Circular BUS connector coaxial 50Ω - Insert/adaptor for BUS connector - Housing size 3A - 10A crimp power contacts 2 pcs. to be ordered separately Kit composto da: - Connettore BUS circolare coassiale 50Ω - Inserto adattatore per connettore BUS - Custodia fissa da incasso grandezza 3A - Contatti a crimpare di potenza da 10A 2 pz., da ordinare separatamente							



Technical characteristics

Caratteristiche tecniche



- Power sockets for the European and the International market
- Standard interfaces for easy connection of devices inside and outside of the control cabinet
- Suitable for:
 - Standard industrial applications (STD)
 - For Harsh environmental requirements (HE)
 - For applications that require electromagnetic compatibility (EMC)
- Horizontal and vertical mounting
- Modular assembly, suitable for different adaptors plates
- Lockable metal cover by levers
- IP66 protection degree (with closed cover)
- High resistance to mechanical impacts
- High resistance to high and low temperature
- EMC shielding with EMC housings
- Compact design



- *Prese d'alimentazione per il mercato Europeo ed internazionale*
- *Interfacce standard per un facile collegamento di apparecchiature interne ed esterne all'armadio di controllo*
- *Utilizzabili per:*
 - *Applicazioni industriali standard (STD)*
 - *Per applicazioni in ambienti aggressivi (HE)*
 - *Per applicazioni dove è richiesta la compatibilità elettromagnetica (EMC)*
- *Montaggio orizzontale o verticale*
- *Assemblaggio modulare con piastre differenti per gli adattatori*
- *Coperchio metallico con chiusura tramite leve*
- *Grado di protezione IP66 (con coperchio chiuso)*
- *Alta resistenza agli urti*
- *Alta resistenza alle alte e basse temperature*
- *Schermatura EMC con custodie EMC*
- *Design compatto*

▣ **Terminations technology of data connectors**

The system is based on a wide range of data connectors that can be connected into both sides (gender changers) without any soldering or crimping.

▣ **Modular system**

The system is based on a bulkhead housing with a cover to be assembled on the panel. This housing is flexible enough to host a series of modules with different power sockets or data interfaces in accordance with the relevant Standards. This allows the ports to satisfy customer demand.

Blank panels permit other interfaces to be assembled on customer demand.



▣ **Assembled cables**

A wide range of assembled cables for the connection of the interfaces to the equipment are also available.



▣ **Housing with cover with single or double locking system**
- Technical characteristics



- **Type:**
 - STD for standard industrial applications
 - HE for harsh environmental requirements
 - EMC for EMC applications
- **Material:**

Body and cover:	aluminium alloy
Painting:	polyester powder coating
EMC finishing:	nickel plated
Locking device:	stainless steel
- **Operating temperature** -25°C + 125°C
- **Protection degree** IP66 / IP69

▣ **Terminazioni dei connettori per dati**

Il sistema è basato su una serie di adattatori per trasmissione dati che consentono l'utilizzo di cavi già cablati in entrambi i lati pertanto non sono necessarie operazioni di saldatura, crimpatura o altro per il collegamento delle apparecchiature tramite l'interfaccia.

▣ **Sistema modulare**

Il sistema è basato sulla custodia fissa con coperchio da assemblare sul pannello che può contenere una serie di moduli con le differenti prese di alimentazione o con una vasta gamma di interfacce dati secondo le differenti norme, per soddisfare la gran parte delle richieste.

E' disponibile un modulo cieco da utilizzarsi per assemblare altre interfacce su richiesta del cliente.



▣ **Cavi assemblati:**


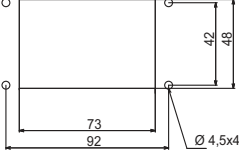
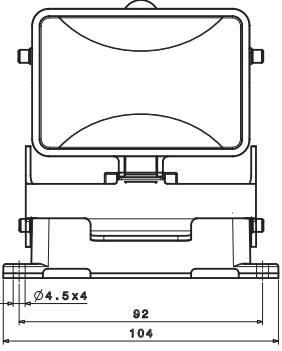
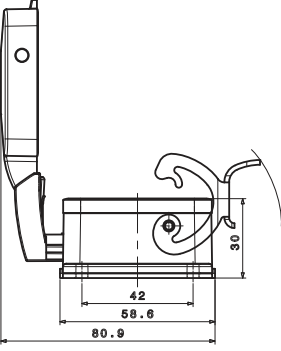

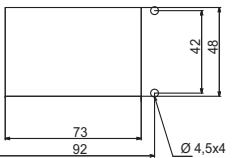
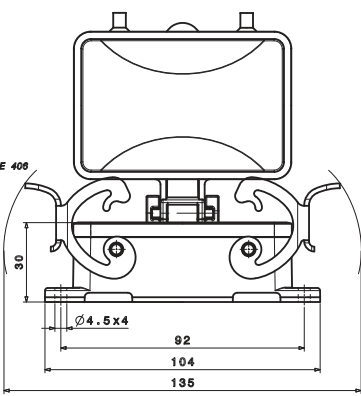
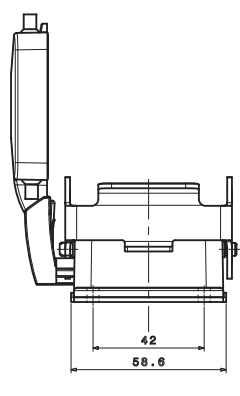
E' disponibile una vasta gamma di cavi adatti al collegamento delle interfacce alle apparecchiature.

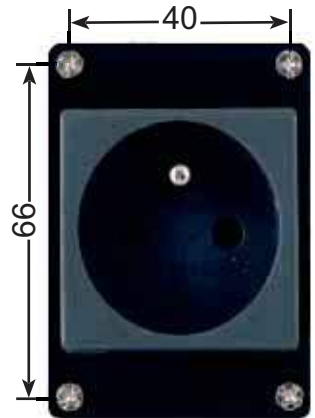
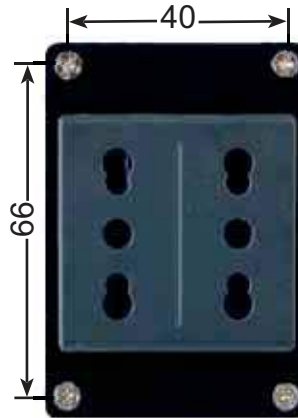
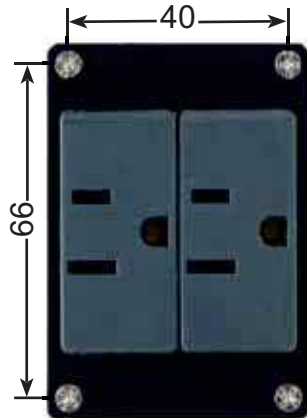
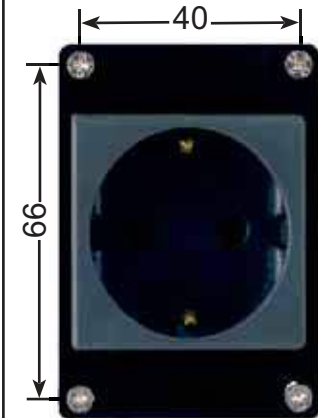
▣ **Custodie con coperchio con sistema di chiusura singolo o doppio**
- Caratteristiche tecniche



- **Tipo:**
 - STD per applicazioni industriali standard
 - HE per ambienti aggressivi
 - EMC per applicazioni dove è richiesta la compatibilità elettromagnetica
- **Materiale:**

Corpo e coperchio:	lega di alluminio
Verniciatura:	a forno con polvere poliestere
Finitura per EMC:	Nichelata
Dispositivo di chiusura:	Acciaio inox
- **Temperatura di lavoro** -25°C + 125°C
- **Grado di protezione** IP66 / IP69

Housing with cover with single locking system, size 32A "66x40" Custodie con coperchio con sistema di chiusura singolo, grandezza 32A "66x40"	Color Colore	Type Tipo	Part No. Codice
 <p>CE (RoHS) cULus Type 4/4x/12 SP US</p>  <p>Panel cut out Foratura del pannello</p>  	Grey/Grigio RAL 7037	STD	7832.4700.0
	Grey/Grigio RAL 7035	STD	7832.4710.0
	Black/nero RAL 9005	HE	7832.4700.1
	Aluminium	EMC	7832.4700.4
Housing with cover with double locking system, size 32A "66x40" Custodie con coperchio con sistema di chiusura doppio, grandezza 32A "66x40"	Color Colore	Type Tipo	Part No. Codice
 <p>CE (RoHS) cULus Type 4/4x/12 SP US</p>  <p>Panel cut out Foratura del pannello</p>  	Grey/Grigio RAL 7037	STD	7832.4705.0
	Grey/Grigio RAL 7035	STD	7832.4715.0
	Black/nero RAL 9005	HE	7832.4705.1
	Aluminium	EMC	7832.4705.4



Part No.
Codice

Germany (VDE) 2p+ ⊕ 2000.3001.0
 Germany + Italy 2p+ ⊕ 2000.3013.0

Part No: 2000.3002.0
 Codice:

USA / Japan 2p+ ⊕ x 2

Max voltage: 125V
 Voltaggio max:
 Frequency: 60Hz
 Frequenza:
 Max current: 15A
 Corrente max:
 Terminals: Screw
 Terminali:

Part No: 2000.3003.0
 Codice:

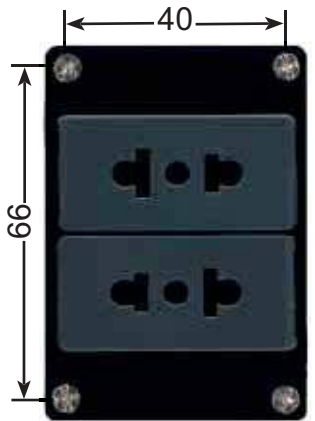
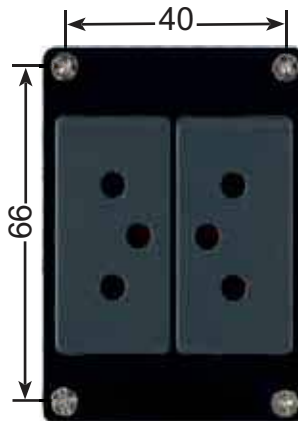
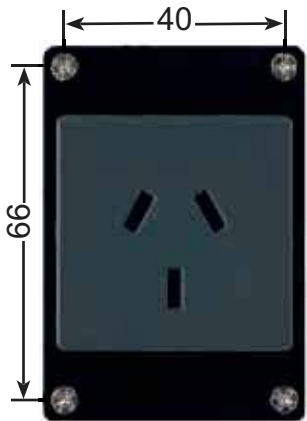
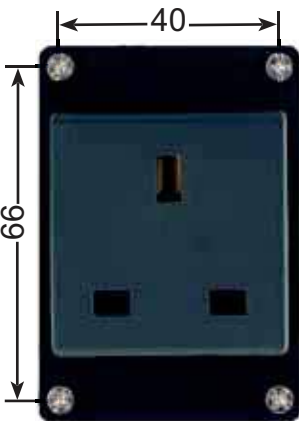
Italy (CEI 23-14) 2p+ ⊕ x 2

Max voltage: 250V
 Voltaggio max:
 Frequency: 50Hz
 Frequenza:
 Max current: 10-16A
 Corrente max:
 Terminals: Screw
 Terminali:

Part No: 2000.3004.0
 Codice:

France (UTE) 2p+ ⊕

Max voltage: 250V
 Voltaggio max:
 Frequency: 50Hz
 Frequenza:
 Max current: 10-16A
 Corrente max:
 Terminals: Screw
 Terminali:



Part No: 2000.3005.0
 Codice:

Great Britain (BS) 2p + ⊕

Max voltage: 250V
 Voltaggio max:
 Frequency: 50/60Hz
 Frequenza:
 Max current: 13A
 Corrente max:
 Terminals: Screw
 Terminali:

Part No: 2000.3006.0
 Codice:

Australia/China 2p + ⊕

Max voltage: 250V
 Voltaggio max:
 Frequency: 50/60Hz
 Frequenza:
 Max current: 10A
 Corrente max:
 Terminals: Screw
 Terminali:

Part No: 2000.3007.0
 Codice:











Switzerland 2p+ ⊕ x 2

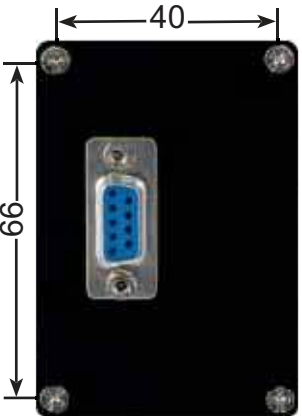
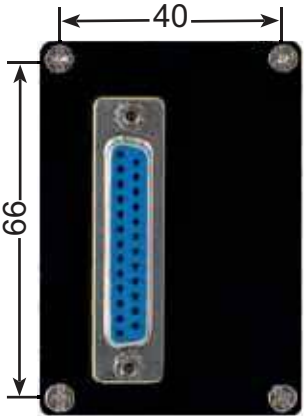
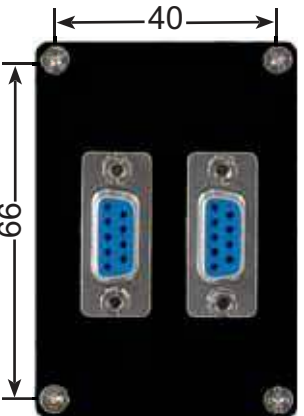
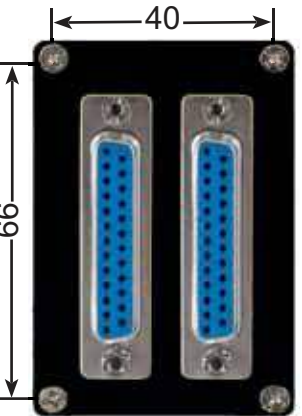
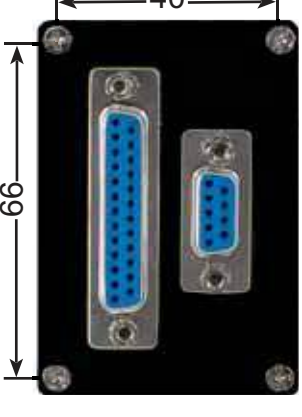
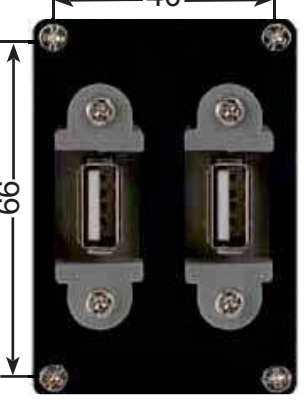
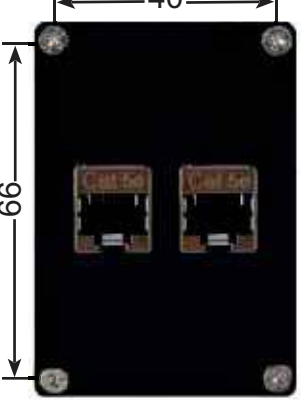
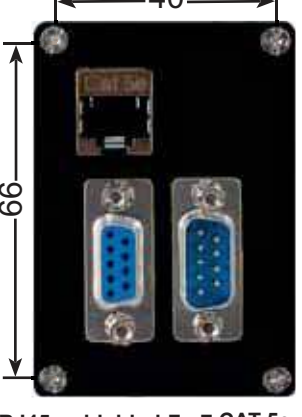

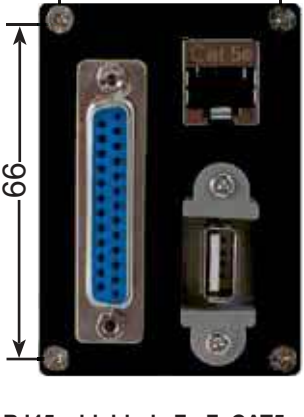
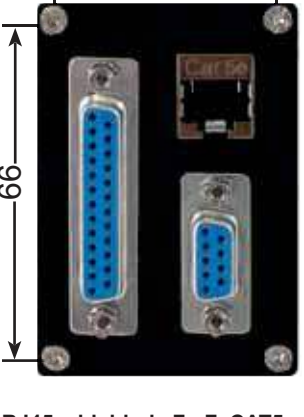
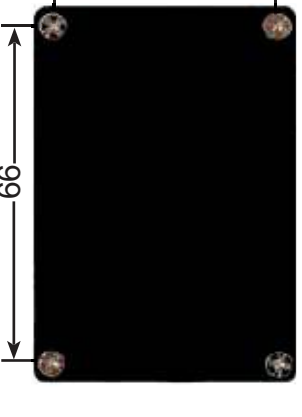
Max voltage: 250V
 Voltaggio max:
 Frequency: 50Hz
 Frequenza:
 Max current: 10A
 Corrente max:
 Terminals: Screw
 Terminali:

Part No: 2000.3008.0
 Codice:

Euro/USA 2p+ ⊕ x 2

Max voltage: 250V
 Voltaggio max:
 Frequency: 50Hz
 Frequenza:
 Max current: 10A
 Corrente max:
 Terminals: Screw
 Terminali:

Data interface <i>Interfacce dati</i>	Technical data <i>Dati tecnici</i>	Description <i>Descrizione</i>	Part No. <i>Codice</i>
Gender changer  	Nominal voltage: 125V AC <i>Tensione nominale:</i> 150V DC Nominal current: 3A <i>Corrente nominale:</i> Screw locking: 4 - 40 UNC <i>Bloccaggio a vite:</i> Temperature range: -25 ÷ 125°C <i>Temperatura di lavoro:</i> Specifications: DIN 41652 <i>Norme di riferimento:</i> IEC 60807	D - sub 9 F-F - 9p Female to Female - 9p Femmina - Femmina D - sub 9 F-M - 9p Female to Male - 9p Femmina - Maschio D - sub 9 M-M - 9p Male to Male - 9p Maschio - Maschio	2500.0002.0 2500.0003.0 2500.0001.0
Gender changer  	Nominal voltage: 125V <i>Tensione nominale:</i> 150V DC Nominal current: 3A <i>Corrente nominale:</i> Screw locking: 4 - 40 UNC <i>Bloccaggio a vite:</i> Temperature range: -25 ÷ 125°C <i>Temperatura di lavoro:</i> Specifications: DIN 41652 <i>Norme di riferimento:</i> IEC 60807	D - sub 25 F-F - 25p Female to Female - 25p Femmina - Femmina D - sub 25 F-M - 25p Female to Male - 25p Femmina - Maschio D - sub 25 M-M - 25p Male to Male - 25p Maschio - Maschio	2500.0005.0 2500.0006.0 2500.0004.0
RJ45 coupler <i>Accoppiatore RJ45</i>  	Nominal voltage: 50V AC/DC <i>Tensione nominale:</i> Nominal current: 1A <i>Corrente nominale:</i> Locking: Click in <i>Bloccaggio:</i> A scatto Specifications: CAT 5e/CAT6 <i>Norme di riferimento:</i>	RJ45 F-F Shielded - 8p RJ45 Female to Female - 8p RJ45 Femmina - Femmina CAT5e CAT6	2500.0010.0 2500.0013.0
USB coupler <i>Accoppiatore USB</i>  	Nominal voltage: 30V AC/DC <i>Tensione nominale:</i> Nominal current: 1A <i>Corrente nominale:</i> Locking: Clik in <i>Bloccaggio:</i> A scatto Referring standards: USB 2.0 <i>Norme di riferimento:</i> Size: A <i>Grandezza:</i>	USB 2.0 - USB A Female to female - USB A Femmina- femmina	2500.0015.0
USP coupler <i>Accoppiatore USP</i>  	Nominal voltage: 30V AC/DC <i>Tensione nominale:</i> Nominal current: 1A <i>Corrente nominale:</i> Locking: Screw <i>Bloccaggio:</i> Viti Specifications: USB 2.0 <i>Norme di riferimento:</i> Size: A <i>Grandezza:</i>	USB 2.0 - USB A Female to female - USB A Femmina- femmina	2500.0020.0

 <p>D - Sub 9 F - F Part No: 2000.3020.0 Codice:</p>	 <p>D - Sub 25 F - M Part No: 2000.3021.0 Codice:</p>	 <p>D - Sub 9 F - M D - Sub 9 F - M Part No: 2000.3022.0 Codice:</p>	 <p>D - Sub 25 F-M D - Sub 25 F-M Part No: 2000.3023.0 Codice:</p>
 <p>D - Sub 25 F - M D - Sub 9 F - M Part No: 2000.3024.0 Codice:</p>	 <p>2 x USB A 2.0 F - F Part No: 2000.3025.0 Codice:</p>	 <p>2 x RJ45 shielded F - F CAT 5e Part No: 2000.3027.0 Codice:</p>	 <p>RJ45 shielded F - F CAT 5e D - Sub 9 F - F D - Sub 9 M - M Part No: 2000.3029.0 Codice:</p>
 <p>RJ45 shielded F - F CAT5e D - Sub 9 F - M USB A 2.0 F - F Part No: 2000.3031.0 Codice:</p>	 <p>RJ45 shielded F - F CAT5e D - Sub 25 F - M USB A 2.0 F - F Part No: 2000.3033.0 Codice:</p>	 <p>RJ45 shielded F - F CAT5e D - Sub 25 F - M D - Sub 9 F - M Part No: 2000.3035.0 Codice:</p>	 <p>Blank plate for special arrangements <i>Piastra cieca configurazioni speciali</i> Part No: 2000.3036.0 Codice:</p>



Housing size 32A «66x40»
Custodie grandezza 32A «66x40»

+



Power interface
Interfaccia di alimentazione

=



Complete interface with IP66 protection
Interfaccia completa con protezione IP66



For the enclosures
Per le custodie

Housing Part No. <i>Codice custodia</i>	Interface Part No. <i>Codice interfaccia</i>	Description <i>Descrizione</i>	Set Part No. <i>Codice gruppo</i>
7832.4700.0	2000.3001.0	Power interface GERMANY (VDE) 2p+ ⊕	7932.3001.0
7832.4700.0	2000.3002.0	Power interface USA / JAPAN 2p+ ⊕ x 2	7932.3002.0
7832.4700.0	2000.3003.0	Power interface ITALY 2p+ ⊕ x 2	7932.3003.0
7832.4700.0	2000.3004.0	Power interface FRANCE 2p+ ⊕	7932.3004.0
7832.4700.0	2000.3005.0	Power interface GREAT BRITAIN 2p+ ⊕	7932.3005.0
7832.4700.0	2000.3006.0	Power interface AUSTRALIA / CHINA 2p+ ⊕	7932.3006.0
7832.4700.0	2000.3007.0	Power interface SWITZERLAND 2p+ ⊕ x 2	7932.3007.0
7832.4700.0	2000.3008.0	Power interface EURO / USA 2p+ ⊕ x 2	7932.3008.0
7832.4700.0	2000.3013.0	Power interface GERMANY + ITALY 10/16A 2p+ ⊕ x 2	7932.3013.0
7832.4700.0	2000.3020.0	Data interface D-SUB 9 F-F	7932.3020.0
7832.4700.0	2000.3021.0	Data interface D-SUB 25 F-M	7932.3021.0
7832.4700.0	2000.3022.0	Data interface D-SUB 9 F-M X 2	7932.3022.0
7832.4700.0	2000.3023.0	Data interface D-SUB 25 F-M X 2	7932.3023.0
7832.4700.0	2000.3024.0	Data interface D-SUB 25 F-M + D-SUB 9 F-M	7932.3024.0
7832.4700.0	2000.3025.0	Data interface USB A 2.0 F-F X 2	7932.3025.0
7832.4700.0	2000.3027.0	Data interface RJ45 shielded F-F X 2	7932.3027.0
7832.4700.0	2000.3029.0	Data interface RJ45 F-F, D-SUB 9 F-F, D-SUB 9 M-M	7932.3029.0
7832.4700.0	2000.3031.0	Data interface RJ45 F-F, D-SUB 9 F-M, USB A 2.0 F-F	7932.3031.0
7832.4700.0	2000.3033.0	Data interface RJ45 F-F, D-SUB 25 F-M, USB A 2.0 F-F	7932.3033.0
7832.4700.0	2000.3035.0	Data interface RJ45 F-F, D-SUB 25 F-M, D-SUB 9 F-M	7932.3035.0
7832.4700.0	2000.3036.0	Blank plate with housing	7932.3036.0



Housing size 32A «66x40»
 Custodie grandezza 32A «66x40»

+



Date interface
 Interfaccia dati

=

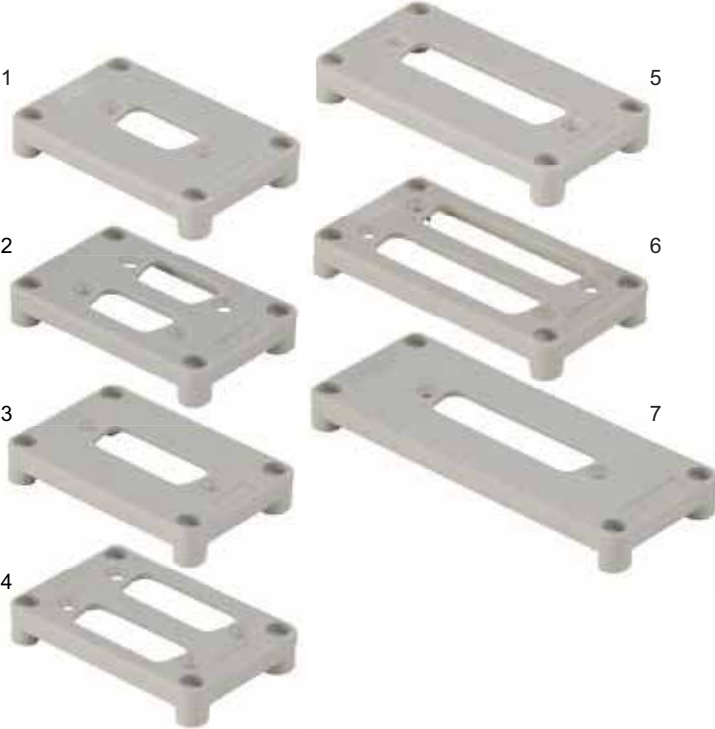






Complete interface with IP66 protection
 Interfaccia completa con protezione IP66



Type 4/4x/12
 For the enclosures
 Per le custodie

Housing Part No. <i>Codice custodia</i>	Interface Part No. <i>Codice interfaccia</i>	Description <i>Descrizione</i>	Set Part No. <i>Codice gruppo</i>
7832.4705.0	2000.3001.0	Power interface GERMANY (VDE) 2p+ ⚡	7932.4001.0
7832.4705.0	2000.3002.0	Power interface USA / JAPAN 2p+ ⚡ x 2	7932.4002.0
7832.4705.0	2000.3003.0	Power interface ITALY 2p+ ⚡ x 2	7932.4003.0
7832.4705.0	2000.3004.0	Power interface FRANCE 2p+ ⚡	7932.4004.0
7832.4705.0	2000.3005.0	Power interface GREAT BRITAIN 2p+ ⚡	7932.4005.0
7832.4705.0	2000.3006.0	Power interface AUSTRALIA / CHINA 2p+ ⚡	7932.4006.0
7832.4705.0	2000.3007.0	Power interface SWITZERLAND 2p+ ⚡ x 2	7932.4007.0
7832.4705.0	2000.3008.0	Power interface EURO / USA 2p+ ⚡ x 2	7932.4008.0
7832.4705.0	2000.3013.0	Power interface GERMANY + ITALY 10/16A 2p+ ⚡	7932.4013.0
7832.4705.0	2000.3020.0	Data interface D-SUB 9 F-F	7932.4020.0
7832.4705.0	2000.3021.0	Data interface D-SUB 25 F-M	7932.4021.0
7832.4705.0	2000.3022.0	Data interface D-SUB 9 F-M X 2	7932.4022.0
7832.4705.0	2000.3023.0	Data interface D-SUB 25 F-M X 2	7932.4023.0
7832.4705.0	2000.3024.0	Data interface D-SUB 25 F-M + D-SUB 9 F-M	7932.4024.0
7832.4705.0	2000.3025.0	Data interface USB A 2.0 F-F X 2	7932.4025.0
7832.4705.0	2000.3027.0	Data interface RJ45 shielded F-F X 2	7932.4027.0
7832.4705.0	2000.3029.0	Data interface RJ45 F-F, D-SUB 9 F-F, D-SUB 9 M-M	7932.4029.0
7832.4705.0	2000.3031.0	Data interface RJ45 F-F, D-SUB 9 F-M, USB A 2.0 F-F	7932.4031.0
7832.4705.0	2000.3033.0	Data interface RJ45 F-F, D-SUB 25 F-M, USB A 2.0 F-F	7932.4033.0
7832.4705.0	2000.3035.0	Data interface RJ45 F-F, D-SUB 25 F-M, D-SUB 9 F-M	7932.4035.0
7832.4705.0	2000.3036.0	Blank plate with housing	7932.4036.0

Frame for housings size "B" for D-Sub connectors Telai per custodie grandezza "B" per connettori D-Sub	Type No. Tipo num.	D-sub D-sub	Size Grandezza	Part No. Codice
 <p>     For the enclosures Per le custodie </p> <ul style="list-style-type: none"> - Plastic frame for housing size 6B, 10B and 16B for D-sub connectors 9, 15 and 25 poles. - Grey RAL 7044 - D-Sub gender changer available on page 11.05 - <i>Telaietti in materiale termoplastico per custodie fisse grandezza 6B, 10B e 16B per connettori D-sub 9, 15 e 25 poli.</i> - Grigio RAL 7044 - Gender changer D-Sub disponibili a pagina 11.05 	1	1 x Dsub 9	6B «44x27»	7000.7060.0
	2	2 x Dsub 9	6B «44x27»	7000.7061.0
	3	1 x Dsub 15	6B «44x27»	7000.7062.0
	4	2 x Dsub 15	6B «44x27»	7000.7063.0
	5	1 x Dsub 25	10B «57x27»	7000.7065.0
	6	2 x Dsub 25	10B «57x27»	7000.7066.0
	7	1 x Dsub 25	16B «77x27»	7000.7067.0

Applications - Applicazioni

D-Sub interface protected by the enclosure with cover IP66/IP69

Interfaccia D-Sub protetta da custodia con coperchio IP66/IP69



Complete interface with IP66/IP69 protection
Interfaccia completa con protezione IP66/IP69

D-Sub connectors male/female with hood and housing IP66/IP69

Connettore D-Sub maschio/femmina con custodia mobile e custodia fissa IP66/IP69



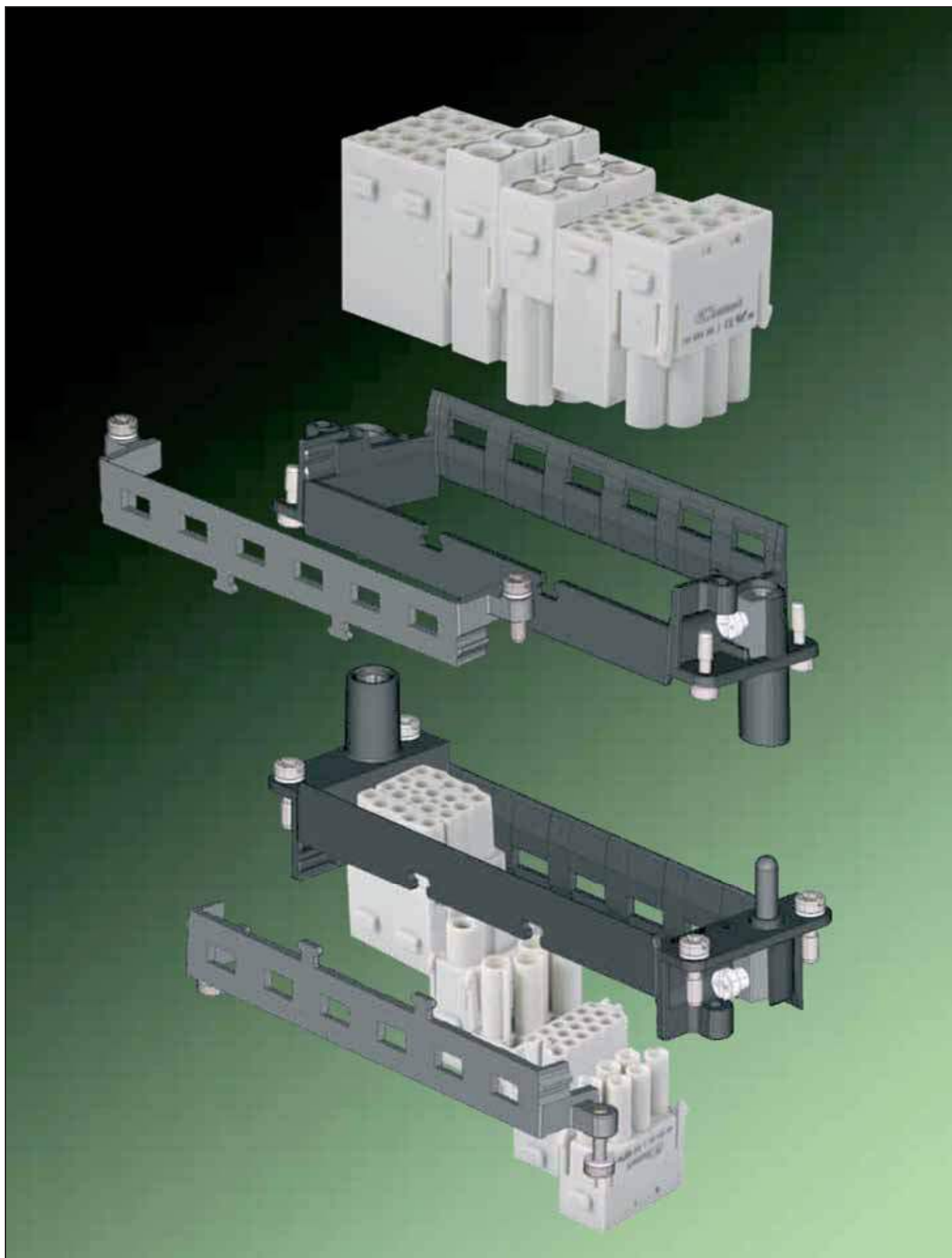
D-Sub connectors can be solder, crimp or IDC type

I connettori D-Sub possono essere a saldare, a crimpare o IDC.

High performance cables <i>Cavi ad alte prestazioni</i>	Description <i>Descrizione</i>	Length <i>Lunghezza</i> m	Part No. <i>Codice</i>
	D - Sub 9 - D - Sub 9 UL 2464 M - M	2	2000.3100.0
	Serial cable, male to male, fully connected, pin to pin, black color <i>Cavo seriale, maschio - maschio, completamente collegato, collegamento diritto, colore nero</i>	5	2000.3105.0
	D - Sub 9 - D - Sub 9 UL 2464 M - F	2	2000.3110.0
	Serial cable, male to female, fully connected, pin to pin, black color <i>Cavo seriale, maschio - femmina, completamente collegato, collegamento diritto, colore nero</i>	5	2000.3115.0
	D - Sub 25 - D - Sub 25 UL 2464 F - F	2	2000.3120.0
	Serial cable, female to female, fully connected, pin to pin, black color <i>Cavo seriale, femmina - femmina, completamente collegato, collegamento diritto, colore nero</i>		
	D - Sub 25 - D - Sub 25 UL 2464 M - F	2	2000.3140.0
	Serial cable, male to female, fully connected, pin to pin, black color <i>Cavo seriale, maschio - femmina, completamente collegato, collegamento diritto, colore nero</i>	5	2000.3145.0
	RJ45 8p 8C male CAT5e U/UTP M - M	0,5	2100.3150.0
	RJ45 8p 8C male to RJ45 8p 8C male U/UTP stranded cable AWG 24, grey color ETL verified TIA/EIA-568-B2	2	2100.3150.2
	<i>RJ45 8p 8C maschio - RJ45 8p 8C maschio. Cavo U/UTP flessibile AWG 24, colore grigio ETL verificato TIA/EIA-568-B2</i>	3	2100.3150.3
		5	2100.3150.5
	RJ45 8p 8C male CAT5e F/UTP M - M	0,5	2100.3401.0
	RJ45 8p 8C male to RJ45 8p 8C male F/UTP stranded cable, grey color ETL verified TIA/EIA-568-B2	2	2100.3401.2
	<i>RJ45 8p 8C maschio - RJ45 8p 8C maschio. Cavo F/UTP flessibile, colore grigio ETL verificato TIA/EIA-568-B2</i>	3	2100.3401.3
		5	2100.3401.5
	USB V.2 2.0 M - M	0,5	2000.3170.A
	USB A male to USB A male cable, black color	2	2000.3170.0
	<i>Cavo USB A maschio - USB A maschio, colore nero</i>	5	2000.3175.0
	USB V.2 2.0 M - M	0,5	2000.3180.A
	USB A male to USB B male cable, black color <i>Cavo USB A maschio - USB B maschio, colore nero</i>	2	2000.3180.0

Remark:
Molex produces a wide range of Telecom/Data Transmission products as other patch cords CAT5e, CAT6, CAT6a jacks and couplers, etc.

Nota:
Molex produce una vasta gamma di prodotti per Telecomunicazioni e Trasmissione Dati come altri modelli di cordoni di permutazione CAT5e, CAT6, CAT6a prese ed adattatori.



Contents - Sommario	Pages-Pagine
- Contents Sommario	12.02
- Description of the modular connection system <i>Descrizione del sistema di connessione modulare</i>	12.03 - 12.04
- Frames selection <i>Selezione del telaio</i>	12.05
- Frames <i>Telaio</i>	12.06 - 12.08
- Summary of modular inserts (modules) <i>Sommario degli inserti modulari (moduli)</i>	12.09 - 12.10
- S-M200/1 series, modules 200A 1000V/8kV/3, 1 pole crimp terminal <i>Serie S-M200/1, moduli 200A 1000V/8kV/3, 1 polo terminale a crimpare</i>	12.11 - 12.12
- S-M100/2 series, modules 100A 1000V/8kV/3, 2 poles, crimp terminals <i>Serie S-M100/2, moduli 100A 1000V/8kV/3, 2 poli terminali a crimpare</i>	12.13 - 12.14
- S-M70/2 series, modules 70A 1000V/8kV/3, 2 poles crimp terminals <i>Serie S-M70/2 moduli 70A 1000V/8kV/3, 2 poli terminali a crimpare</i>	12.15 - 12.16
- S-M40/2A series, modules 40A 1000V/8kV/3, 2 poles axial screw terminals <i>Serie S-M40/2A moduli 40A 1000V/8kV/3, 2 poli, terminali assiali a vite</i>	12.17 - 12.18
- S-M40/2C series, modules 40A 1000V/8kV/3, 2 poles, crimp terminals <i>Serie S-M40/2C, moduli 40A 1000V/8kV/3, 2 poli, terminali a crimpare</i>	12.19 - 12.20
- S-M40/3A series, modules 40A 690V/8kV/3, 3 poles, axial screw terminals <i>Serie S-M40/3A, moduli 40A 690V/8kV/3, 3 poli, terminali assiali a vite</i>	12.21 - 12.22
- S-M40/3C series, modules 40A 500V/6kV/3, 3 poles, crimp terminals <i>Serie S-M40/3C, moduli 40A 500V/6kV/3, 3 poli, terminali a crimpare</i>	12.23 - 12.24
- S-M40/4 series, modules 40A 830V/8kV/3, 4 poles, crimp terminals <i>Serie S-M40/4, moduli 40A 830V/8kV/3, 4 poli, terminali a crimpare</i>	12.25 - 12.26
- S-M40/3/4 series, modules 3px40A+4px10A 830V/8kV/3, crimp terminals <i>Serie S-M40/3/4, moduli 3px40A+4px10A 830V 8kV/3, terminali a crimpare</i>	12.27 - 12.28
- S-M16/6 series, modules 16A 500V/6kV/3, 6 poles, crimp terminals <i>Serie S-M16/6, moduli 16A 500V/6kV/3, 6 poli, terminali a crimpare</i>	12.29 - 12.30
- S-M16/6HV series, modules 16A 830V/6kV/3, 6 poles, crimp terminals <i>Serie S-M16/6HV moduli 16A 830V/6kV/3, 6 poli, terminali a crimpare</i>	12.31 - 12.32
- S-M16/8 series, modules 16A 400V/6kV/3, 8 poles, crimp terminals <i>Serie S-M16/8, moduli 16A 400V/6kV/3, 8 poli, terminali a crimpare</i>	12.33 - 12.34
- S-M16/20 series, modules 16A 400V/6kV/3, 20 poles, crimp terminals <i>Serie S-M16/20, moduli 16A 400V/6kV/3, 20 poli, terminali a crimpare</i>	12.35 - 12.36
- S-M16/5 series, modules 16A 400V/6kV/3, 5 poles, spring terminals <i>Serie S-M16/5, moduli 16A 400V/6kV/3, 5 poli, terminali a molla</i>	12.37 - 12.38
- S-M16/2HV series, modules 16A 2900-5000V/15kV/3, 2 poles, crimp terminals <i>Serie S-M16/2HV moduli 16A 2900-5000V/15kV/3, 2 poli, terminali a crimpare</i>	12.39 - 12.40
- S-M10/12 series, modules 10A 250V/4kV/3, 12 poles, crimp terminals <i>Serie S-M10/12, moduli 10A 250V/4kV/3, 12 poli, terminali a crimpare</i>	12.41 - 12.42
- S-M10/17 series, modules 10A 160V/4kV/3, 17 poles, crimp terminals <i>Serie S-M10/17, moduli 10A 160V/4kV/3, 17 poli, terminali a crimpare</i>	12.43 - 12.44
- S-MD/25 series, H.D. modules 4A 50V/0,8kV/3, 25 poles, crimp terminals <i>Serie S-MD/25, moduli H.D. 4A 50V/0,8kV/3, 25 poli, terminali a crimpare</i>	12.45 - 12.46
- S-MD/9 series, D-Sub modules 5A 50V/0,8kV/3, 9 poles, crimp terminals <i>Serie S-MD/9, moduli D-Sub 5A 50V/0,8kV/3, 9 poli, terminali a crimpare</i>	12.47 - 12.48
- S-M/CX2 series, modular inserts for 2 shielded circular BUS connectors <i>Serie S-M/CX2, inserti modulari per 2 per connettori circolari BUS schermati</i>	12.49 - 12.50
- S-CX/4 series, shielded circular BUS connectors: 4 poles + shield <i>Serie S-CX/4, connettori BUS circolari schermati: 4 poli + schermo</i>	12.51 - 12.52
- S-CX/8 series, shielded circular BUS connectors: 8 poles + shield <i>Serie S-CX/8, connettori BUS circolari schermati: 8 poli + schermo</i>	12.53 - 12.54
- S-CX/75 series, shielded coaxial 75 Ω connectors: 1 pole + shield <i>Serie S-CX/75, connettori coassiali 75 Ω schermati: 1 polo + schermo</i>	12.55 - 12.56
- S-CX/50 series, shielded coaxial 50 Ω connectors: 1 pole + shield <i>Serie S-CX/50, connettori coassiali 50 Ω schermati: 1 polo + schermo</i>	12.57 - 12.58
- S-M/RJ45 series, RJ45 modules <i>Serie S-M/RJ45, Moduli RJ45</i>	12.59 - 12.60
- S-M/PN2 series, modules for pneumatic connectors, 2 contacts <i>Serie S-M/PN2, moduli per connettori pneumatici, 2 contatti</i>	12.61 - 12.62
- S-M/PN3 series, modules for pneumatic connectors, 3 contacts <i>Serie S-M/PN3, moduli per connettori pneumatici, 3 contatti</i>	12.63 - 12.64
- S-M series, dummy module <i>Serie S-M, falso modulo</i>	12.65

Description of the system - Descrizione del sistema



Use:

These connectors are composed by a special metal frame that holds different modular inserts in position. The module type and its position in the frame are decided by the user.

The block frame+modules will be then be assembled into one of the traditional Molex enclosures and on DIN rail supports (see section 55). In the assembly of the connectors, this system allows to combine different inserts (electric power, electric signals, compressed air up to 8 bars). The pneumatic contacts are also suitable for the connection of liquids. However, the combination of electrical and liquid connections in one connector is not allowed according to the EN and VDE standards for safety reasons.

The frames are composed by two parts. The main part receives the modules one by one. When the assembly is completed, a special cover will be fixed by two captive screws. The so-assembled parts therefore become a shock- and vibration-proof monoblock, also resistant to any extra pulling or pushing force that may occur while matching and unmatching the connector.

Even if the modules are firmly locked, they can float inside the frame to compensate different gaps of each type of module and the variation in dimensions caused by the temperature increasing. This guarantees the perfect connection within the wide range of working temperatures for any combination of different modules.

If the user needs to disassemble the module from the frame, he just has to disassemble the special cover and each module, no matter in which position it is, it can be independently disassembled and replaced.

Modules are single or double. Double module's size is 2x single module. Single and double modules can be put together in the same frame.

In case of empty space, a dummy module can be put there.

The 5 available frames permit the combination of 1 to 12 different modules, according to the size of the chosen enclosure.

The different frames can be assembled in all Molex metal enclosures type STD, HE, EMC, HP-HE, with size in accordance to the following table:

Uso:

Questi connettori sono composti da speciali telai che contengono i differenti inserti modulari nella loro posizione stabilita: il tipo di modulo e la sua posizione nel telaio saranno conformi al progetto dell'utilizzatore.

Questo insieme, telaio + moduli, verrà poi assemblato in una delle custodie tradizionali Molex e sui supporti per guide DIN (vedere sezione 55).

Il sistema permette di combinare in un unico connettore inserti sia per la connessione elettrica (potenza e segnale) che inserti per la connessione pneumatica ad aria compressa fino a 8 bar.

I contatti pneumatici permettono anche il passaggio di liquidi, tuttavia le norme EN e VDE non consentono, per motivi di sicurezza, la combinazione di inserti per la connessione elettrica con inserti per la trasmissione di liquidi nello stesso connettore.

I telai sono composti da 2 parti: la parte principale accetta i singoli moduli uno ad uno.

Quando l'inserimento dei moduli viene completato un coperchietto speciale, fissato sul telaio tramite due viti imperdibili, renderà l'insieme dei moduli con il telaio una struttura monoblocco resistente agli urti, alle vibrazioni ed ad ogni eccezionale spinta in compressione o di trazione dovesse verificarsi durante l'operazione di connessione o sconnessione.

Benchè i moduli siano saldamente bloccati all'interno del telaio essi possono fluttare al suo interno per compensare i differenti spazi e tolleranze previste per ciascun tipo di modulo e le variazioni dovute all'aumento di temperatura. Questa caratteristica garantisce una connessione perfetta entro una vasta gamma di temperature di lavoro per ogni combinazione di moduli differenti.

Nel caso sia necessario disassemblare uno o più moduli dal telaio è necessario semplicemente togliere il coperchio speciale per disassemblare ciascun modulo in qualsiasi posizione esso si trovi all'interno del telaio, indipendentemente dagli altri moduli che si trovano nello stesso telaio.

I moduli possono essere singoli o doppi: il modulo doppio occupa lo spazio di 2 moduli singoli.

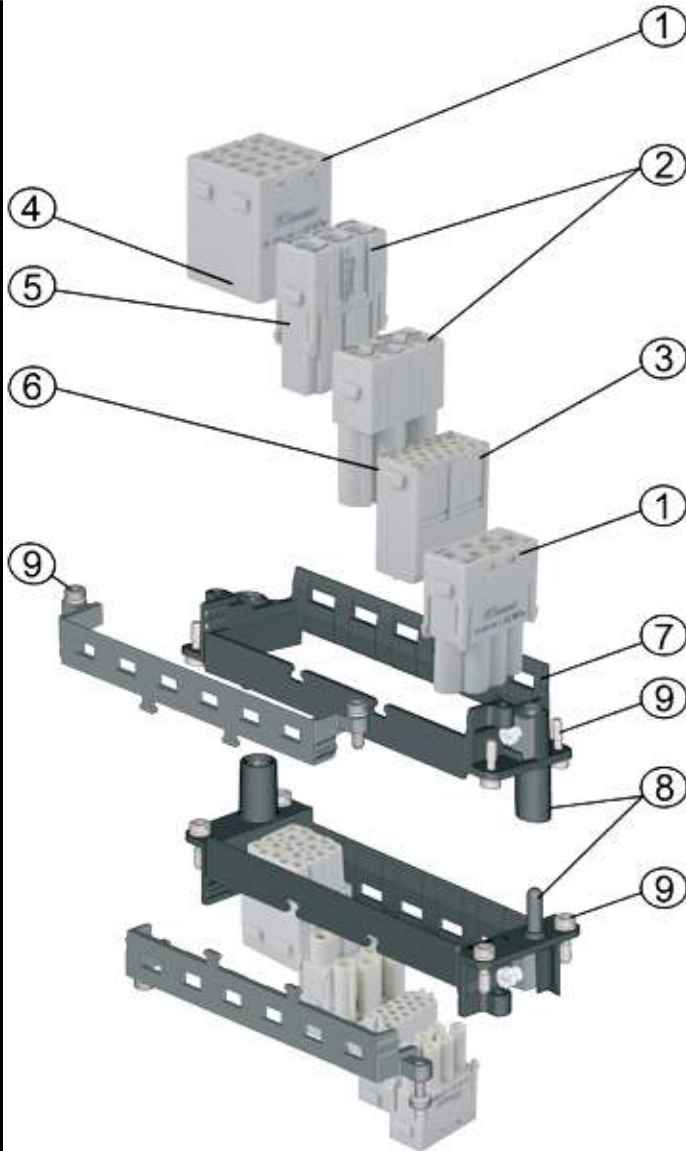
Moduli singoli e doppi possono essere assemblati nello stesso telaio. In caso rimanga dello spazio vuoto esso può essere colmato utilizzando il falso modulo.

I 5 differenti telai disponibili permettono la combinazione da 1 a 12 moduli differenti in funzione della grandezza delle custodie scelte.

I differenti telai possono essere assemblati in tutte le custodie metalliche Molex tipo STD, HE, EMC, HP-HE con grandezze secondo la tabella seguente.

Frame and enclosures Size Grandezza delle custodie e dei telai	Quantity of single modules Quantità dei moduli singoli	Quantity of double modules Quantità dei moduli doppi
10A «49x16»	1	-
6B «44x27»	2	1
10B «57x27»	3	1
16B «77x27»	4	2
24B «104x27»	6	3
32B «77x62»	8	4
48B «104x62»	12	6

Description of the system - Descrizione del sistema



Characteristics:

1. Modular insert with 16A contacts, crimp type
2. Modular insert with 40A contacts, crimp type
3. Modular insert with 10A contacts, crimp type
4. Modular inserts for crimp contacts in thermoplastic material, UL 94-V0 approved, with temperatures limits -40°C to +125°C.
5. Inserts with asymmetric guide rails to prevent incorrect coupling.
6. Position of contacts identified by numbers in front and on rear side of each insert.
7. Male/female module carrier frames in die-cast zinc alloy with ground contacts with captive screws, vibration and shock resistant.
8. Asymmetric earth contacts (two for frame) to prevent incorrect coupling. When two or more identical connectors of this series are installed in the same equipment, the use of code pins prevent incorrect coupling.
9. Captive frame fastening screws, with elastic washer.

Warning:

The module support frames are marked:

- With upper-case letters A-B, A-C, A-D and A-F (to be used in hoods)
- With lower-case letters a-b, a-c, a-d and a-f (to be used in housings)

Positioning the modules in the frames according to the respective letters ensures the specular assembly of modules, for a correct coupling of the hood to the housing.

Caratteristiche:

1. Inserti modulari con contatti da 16A a crimpare
1. Inserti modulari con contatti da 40A a crimpare
1. Inserti modulari con contatti da 10A a crimpare
2. Inserti modulari per contatti a crimpare in materiale termoplastico autoestinguente UL94 V-0 con Limiti di temperature -40 °C to +125 °C.
3. Inserti modulari con guide asimmetriche per prevenire accoppiamenti errati.
4. Posizione dei contatti identificabile dalla numerazione sia sulla parte frontale che sul retro del modulo.
5. Telai di supporto ai moduli maschio/femmina in pressofusione di zinco con contatti di terra con viti imperdibili resistenti alle vibrazioni ed agli urti.
6. Contatti di terra asimmetrici (2 per telaio) per prevenire errate inserzioni. Quando 2 o più connettori uguali di questa serie vengono installati nella stessa apparecchiatura è consigliato l'uso dei perni di codifica per prevenire errate inserzioni.
7. Viti di fissaggio telai imperdibili con ranelle elastiche antiallentamento

Avvertenza:

I telai di supporto moduli sono contrassegnati:

- Con lettere maiuscole A-B, A-C, A-D, e A-F (telai mobili)
- Con lettere minuscole a-b, a-c, a-d e a-f (Telai fissi)

Disponendo i moduli come indicato dai rispettivi contrassegni (lettere), si ha la certezza di un montaggio speculare dei moduli e quindi un corretto accoppiamento della parte mobile su quella fissa e viceversa.

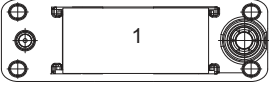
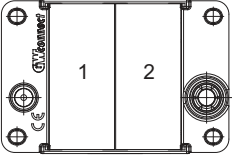
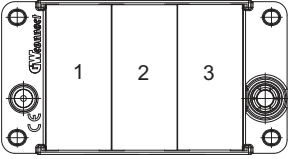
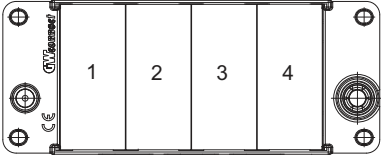
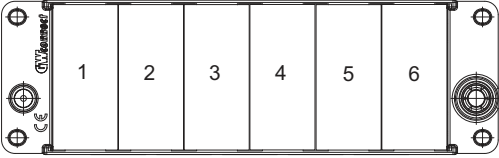
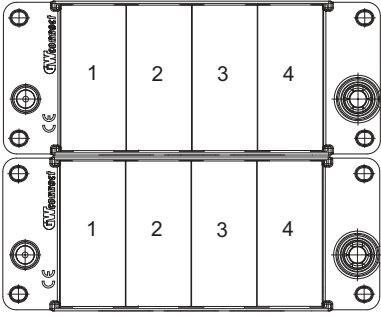
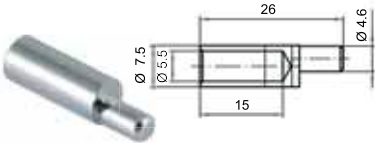


Code pins for frame - Perni di codifica per telai:

Male - Maschio
7700.3561.0


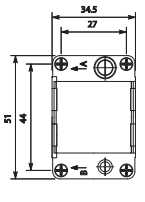
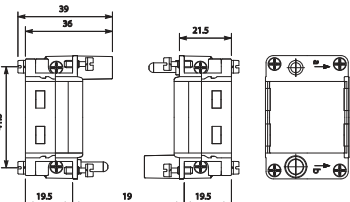

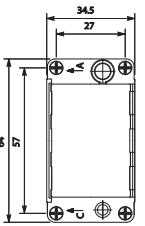
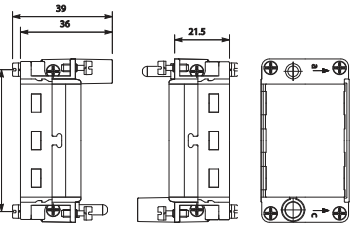

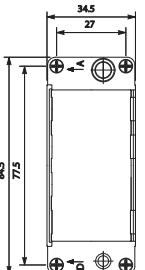
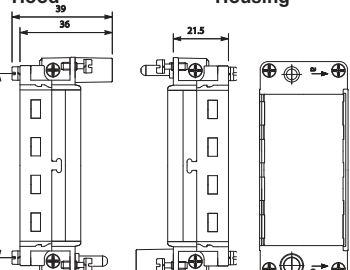

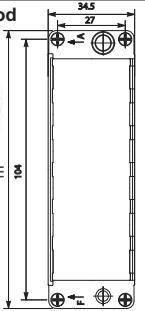
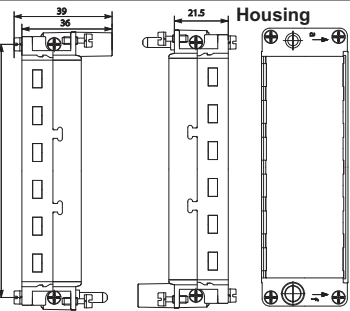


Female - Femmina
7700.3562.0



Frame -Talaio	No. of modules No. moduli	Size Grandezza	Operations Operazioni
	1 single	10A «49x16»	<p>Follow up the following steps:</p> <p>1 - Select the type and quantity of modules to be assembled in the same connector.</p>
	2 single or 1 double	6B «44x27»	<p>2 - Verify the size of each selected module.</p> <p>3 - Calculate the frame and enclosure necessary size</p>
	3 single or 1 double + 1 single	10B «57x27»	<p>Seguire i passi seguenti:</p> <p>1 - Scegliere i tipi di inserti e la quantità da inserire nello stesso connettore.</p> <p>2 - Verificare la grandezza di ciascun modulo selezionato.</p>
	4 single or 2 double	16B «77x27»	<p>3 - Calcolare la grandezza del telaio e delle custodie.</p>
	6 single or 3 double	24B «104x27»	<p>Accessories Accessori</p> <p>Cable shoe 16 mm² for PE extension. Crimp terminal For HC (High Construction) and HP-HE enclosures only Part No. 7700.3097.0</p>
	8 single or 4 double	32B «77x62»	<p>Terminale adattatore per cavi da 16 mm² a crimpare. Solo per custodie HC (costruzione alta) e HP-HE Codice 7700.3097.0</p> 
	12 single or 6 double	48B «104x62»	<p>Code pin for frames: Perni di codifica pe telai:</p>  <p>Male - Maschio: 7700.3561.0</p> <p>Female - Femmina: 7700.3562.0</p> <p>See also section 55 Vedere anche sezione 55</p>

Technical characteristics		Caratteristiche tecniche	
Specifications:	EN 60664.1 EN 61984 Grounding system according to VDE Standard	Norme di riferimento:	EN 60664.1 EN 61984 Collegamento di messa a terra conforme alle norme VDE
Approvals:	(UL) pending 	Approvazioni:	(UL) in approvazione
Number modules:	1,2,3,4,6,8(4x2),12(6x2)	No. dei moduli:	1,2,3,4,6,8(4x2), 12(6x2)
Mechanical working life:	≥ 500 cycles	Vita meccanica:	≥ 500 cicli
PE contacts:		Contatti PE:	
Screw terminals:		Terminali a vite:	
Power side (Screw M4)		Lato potenza (Vite M4)	
mm ²	4 ÷ 10	mm ²	4 ÷ 10
AWG	12 ÷ 8	AWG	12 ÷ 8
Tightening torque	1 Nm	Coppia di serraggio	1 Nm
Stripping length	8 mm	Lunghezza spellatura	8 mm
Signal side (Screw M3)		Lato segnale (Vite M3)	
mm ²	1 ÷ 2.5	mm ²	1 ÷ 2.5
AWG	18 ÷ 14	AWG	18 ÷ 14
Tightening torque	0.5 Nm	Coppia di serraggio	0.5 Nm
Stripping length	8 mm	Lunghezza spellatura	8 mm
Limiting temperatures:	-40 °C ... + 125 °C	Limiti di temperatura:	- 40 °C ... + 125 °C
Materials:		Materiali:	
Structure	Zinc alloy	Struttura	Lega di zinco
Contacts	Copper alloy	Contatti	Lega di rame
Contact plating	Nickel	Finitura contatti	nichelatura
Recommended enclosures:	See section 21,22,23,25,26,27,30	Custodie suggerite:	Vedere sezioni 21,22,23,25,26,27,30
Type:	STD, HE, EMC, HP-HE	Tipo:	STD, HE, EMC, HP-HE
Material	Die cast aluminium	Materiale	Fusione di alluminio
Surface	Powder coated	Finitura	Verniciatura a polvere
Locking element	With metal lever or screws	Sistema di chiusura	Con leva metallica o viti
Hoods/Housings seal	NBR	Guarnizioni	NBR
Limiting temperatures	-40 °C ... + 125 °C	Limiti di temperatura	-40 °C ... + 125 °C
Degree of protection acc. to EN 60529 for coupled connector	IP66 or IP68 (HP-HE)	Grado di protezione secondo EN 60529 connettori accoppiati	IP66 o IP68(HP-HE)
Thread:	Metric EN 50262 Pg DIN 40430	Filettature:	Metrico EN 50262 Pg DIN 40430
According to EN61984 connectors should not be coupled and decoupled under electrical load.		Secondo la norma EN61984 i connettori non devono essere connessi e sconnessi sotto carico	


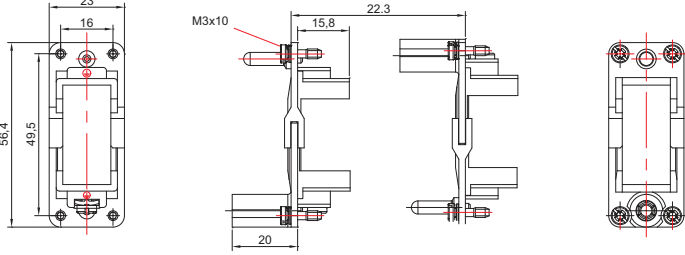
Frames size B for hoods and housings <i>Telaietti grandezza B per custodie fisse e mobili</i>	No. modules <i>Numero moduli</i>	Type for <i>Tipo per</i>	Size <i>grandezza</i>	Part No. <i>Codice</i>
 <div style="display: flex; justify-content: space-around;"> <div style="text-align: center;"> <p>Hood</p>  </div> <div style="text-align: center;"> <p>Housing</p>  </div> </div>	2	Hood A - B	6B«44x27»	7706.3515.0
	2	Housing a - b	6B«44x27»	7706.3516.0
 <div style="display: flex; justify-content: space-around;"> <div style="text-align: center;"> <p>Hood</p>  </div> <div style="text-align: center;"> <p>Housing</p>  </div> </div>	3	Hood A - C	10B«57x27»	7710.3517.0
	3	Housing a - c	10B«57x27»	7710.3518.0
 <div style="display: flex; justify-content: space-around;"> <div style="text-align: center;"> <p>Hood</p>  </div> <div style="text-align: center;"> <p>Housing</p>  </div> </div>	4	Hood A - D	16B«77x27»	7716.3519.0
	4	Housing a - d	16B«77x27»	7716.3520.0
 <div style="display: flex; justify-content: space-around;"> <div style="text-align: center;"> <p>Hood</p>  </div> <div style="text-align: center;"> <p>Housing</p>  </div> </div>	6	Hood A - F	24B«104x27»	7724.3521.0
	6	Housing a - f	24B«104x27»	7724.3522.0

Characteristics:


- Grounding system according to VDE Standards
- Male and female modular inserts may be assembled on the same frame.
- Modules must be assembled according to polarization to guarantee a correct orientation.
- Alphabetical marking of module position.
- High mechanical reliability in case of vibrations and impact stress.
- No tools necessary to remove the modules
- For enclosures size B type: STD, HE, EMC, HP-HE
- Code pins for modular insert frames:
Male: **7700.3561.0**
Female: **7700.3562.0**
See also section 55
- Distance for electric contacts and fiber optic: max 21 mm.
- Distance for pneumatic contacts: max 20.5 mm

Caratteristiche:











- *Collegamento di messa a terra conforme a norme VDE*
- *Possano essere assemblati maschi o femmina sullo stesso telaio*
- *I moduli possono essere assemblati solo correttamente orientati.*
- *Indicazione alfabetica della posizione del modulo nel telaio.*
- *Alta affidabilità meccanica in presenza di vibrazioni e urti.*
- *Non sono necessari utensili per rimuovere i moduli.*
- *Per custodie grandezza B tipo: STD, HE, EMC, HP-HE.*
- *Perni di codifica per telai per inserti modulari:*
Maschio: 7700.3561.0
Femmina: 7700.3562.0
Vedere sezione 55.
- *Distanza per contatti elettrici e fibre ottiche: max 21 mm*
- *Distanza per contatti pneumatici: max 20,5 mm*

Frames for hoods and housings size 10A «49x16» <i>Telaietto per custodie fisse e mobili grandezza 10A «49x16»</i>	Type for <i>Tipo per</i>	Size <i>grandezza</i>	Part No. <i>Codice</i>
<p>For one module - per 1 modulo:</p>  	<p>Hood / Housing</p>	<p>10A«49x16»</p>	<p>7710.3523.0</p>
<p>Characteristics:</p> <ul style="list-style-type: none"> • Grounding system according VDE Standards • Only for single modules. • High mechanical reliability in case of vibrations and impact stress. • No tools necessary to remove modules • For enclosures size 10A «49x16» type: STD, HE, EMC • Distance for electric contacts and fiber optic: 24 mm max. • Distance for pneumatic contacts: 23.5 mm max 	<p>Caratteristiche:</p> <ul style="list-style-type: none"> • Collegamento di messa a terra conforme a norme VDE • Solo per moduli singoli. • Alta affidabilità meccanica in presenza di vibrazioni e urti. • Non sono necessari utensili per rimuovere i moduli. • Per custodie grandezza 10A «49x16» tipo: STD, HE, EMC • Distanza per contatti elettrici e fibre ottiche: 24 mm • Distanza per contatti pneumatici: max 23,5 mm 		


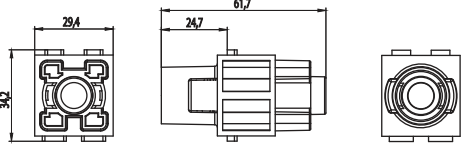

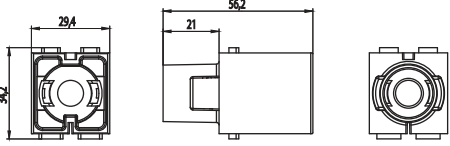

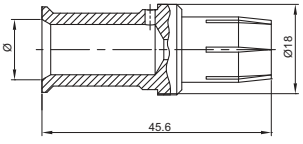

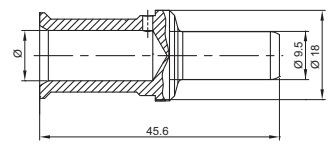
Summary of modular inserts - Sommario degli inserti modulari




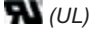


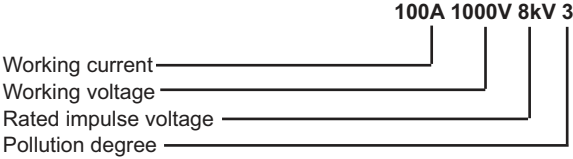
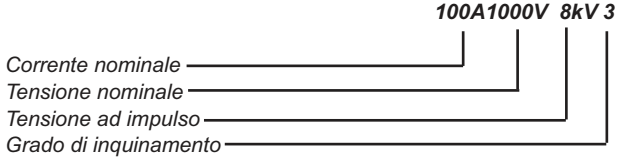
<p>Series - Serie: S-M 200/1 Number of contacts: 1 Numero contatti: 1 Contacts: Crimp terminals Contatti: A crimpare</p>  <p>Rated current: 200A Rated voltage: 1000V Wire section: 16-70 mm² Page: 12.11 - 12.12 Pagina:</p>	<p>Series - Serie: S-M 100/2 Number of contacts: 2 Numero contatti: 2 Contacts: Crimp terminals Contatti: A crimpare</p>  <p>Rated current: 100A Rated voltage: 1000V Wire section: 10-35 mm² Page: 12.13 - 12.14 Pagina:</p>	<p>Series - Serie: S-M 70/2 Number of contacts: 2 Numero contatti: 2 Contacts: Crimp terminals Contatti: A crimpare</p>  <p>Rated current: 70A Rated voltage: 1000V Wire section: 10-25 mm² Page: 12.15 - 12.16 Pagina:</p>	<p>Series - Serie: S-M 40/2A Number of contacts: 2 Numero contatti: 2 Contacts: Axial screw terminals Contatti: Assiali a vite</p>  <p>Rated current: 40A Rated voltage: 1000V Wire section: 2.5-10 mm² Page: 12.17 - 12.18 Pagina:</p>
<p>Series - Serie: S-M 40/2C Number of contacts: 2 Numero contatti: 2 Contacts: Crimp terminals Contatti: A crimpare</p>  <p>Rated current: 40A Rated voltage: 1000V Wire section: 1.5-10 mm² Page: 12.19 - 12.20 Pagina:</p>	<p>Series - Serie: S-M 40/3A Number of contacts: 3 Numero contatti: 3 Contacts: Axial screw terminals Contatti: Assiali a vite</p>  <p>Rated current: 40A Rated voltage: 690V Wire section: 2.5-10 mm² Page: 12.21 - 12.22 Pagina:</p>	<p>Series - Serie: S-M 40/3C Number of contacts: 3 Numero contatti: 3 Contacts: Crimp terminals Contatti: A crimpare</p>  <p>Rated current: 40A Rated voltage: 500V Wire section: 1.5-10 mm² Page: 12.23 - 12.24 Pagina:</p>	<p>Series - Serie: S-M 40/4 Number of contacts: 4 Numero contatti: 4 Contacts: Crimp terminals Contatti: A crimpare</p>  <p>Rated current: 40A Rated voltage: 830V Wire section: 1.5-6 mm² Page: 12.25 - 12.26 Pagina:</p>
<p>Series - Serie: S-M 40/3/4 Number of contacts: 3+4 Numero contatti: 3+4 Contacts: Crimp terminals Contatti: A crimpare</p>  <p>Rated current: 40A/10A Rated voltage: 830V Wire section: 1.5-6/0.14-2.5 mm² Page: 12.27 - 12.28 Pagina:</p>	<p>Series - Serie: S-M 16/6 Number of contacts: 6 Numero contatti: 6 Contacts: Crimp terminals Contatti: A crimpare</p>  <p>Rated current: 16A Rated voltage: 500V Wire section: 0.14-4 mm² Page: 12.29 - 12.30 Pagina:</p>	<p>Series - Serie: S-M 6HV Number of contacts: 6 Numero contatti: 6 Contacts: Crimp terminals Contatti: A crimpare</p>  <p>Rated current: 16A Rated voltage: 830V Wire section: 0.14-4 mm² Page: 12.31 - 12.32 Pagina:</p>	<p>Series - Serie: S-M 16/8 Number of contacts: 8 Numero contatti: 8 Contacts: Crimp terminals Contatti: A crimpare</p>  <p>Rated current: 16A Rated voltage: 400V Wire section: 0.14-4 mm² Page: 12.33 - 12.34 Pagina:</p>
<p>Series - Serie: S-M 16/20 Number of contacts: 20 Numero contatti: 20 Contacts: Crimp terminals Contatti: A crimpare</p>  <p>Rated current: 16A Rated voltage: 500V Wire section: 0.14-4 mm² Page: 12.35 - 12.36 Pagina:</p>	<p>Series - Serie: S-M 16/5 Number of contacts: 5 Numero contatti: 5 Contacts: Spring terminals Contatti: A molla</p>  <p>Rated current: 16A Rated voltage: 400V Wire section: 0.14-2.5 mm² Page: 12.37 - 12.38 Pagina:</p>	<p>Series - Serie: S-M 16/2HV Number of contacts: 2 Numero contatti: 2 Contacts: Crimp terminals Contatti: A crimpare</p>  <p>Rated current: 16A Rated voltage: 2900/5000V Wire section: 0.14-4 mm² Page: 12.39 - 12.40 Pagina:</p>	<p>Series - Serie: S-M 10/12 Number of contacts: 12 Numero contatti: 12 Contacts: Crimp terminals Contatti: A crimpare</p>  <p>Rated current: 10A Rated voltage: 250V Wire section: 0.14-2.5 mm² Page: 12.41 - 12.42 Pagina:</p>


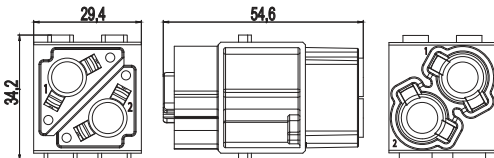

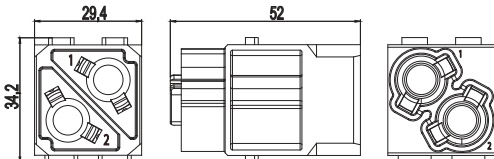

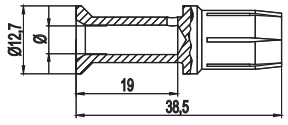

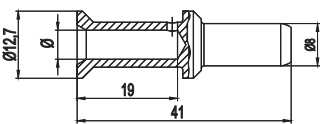
Summary of modular inserts - Sommario degli inserti modulari

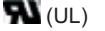



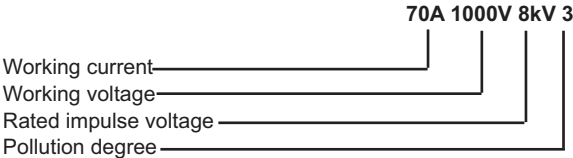
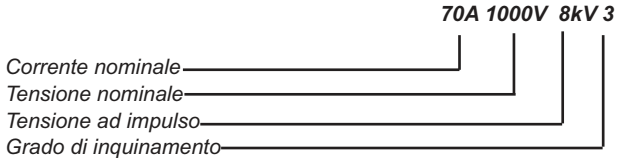
<p>Series - Serie: S-M 10/17 Number of contacts: 17 Numero contatti: 17 Contacts: Crimp terminals Contatti: A crimpare</p>  <p>Rated current: 10A Rated voltage: 160V Wire section: 0.14-2.5 mm² Page: 12.43 - 12.44 Pagina:</p>	<p>Series - Serie: S-MD/25 Number of contacts: 25 Numero contatti: 25 Contacts: Crimp terminals Contatti: A crimpare</p>  <p>Rated current: 4A Rated voltage: 50V Wire section: 0.08-0.5 mm² Page: 12.45 - 12.46 Pagina:</p>	<p>Series - Serie: S-MD/9 Number of contacts: 9 Numero contatti: 9 Contacts: Crimp terminals Contatti: A crimpare</p>  <p>Rated current: 5A Rated voltage: 50V Wire section: 0.08-0.5 mm² Page: 12.47 - 12.48 Pagina:</p>	<p>Series - Serie: S-M/CX2 Number of contacts: 2 Numero contatti: 2 Modules: 2 size modules Moduli: Grandezza 2 moduli</p>  <p>For circular BUS connectors Per connettori BUS circolari</p> <p>Page: 12.49 - 12.50 Pagina:</p>
<p>Series - Serie: S-CX/4, S-CX/8 Number of contacts: 4 and 8 Numero contatti: 4 e 8 Contacts: Shielded circular Contatti: Schermato circolare</p>  <p>Rated current: 10A/5A Rated voltage: 50V Page: 12.51 - 12.54 Pagina:</p>	<p>Series - Serie: S-CX/75, S-CX/50 Number of contacts: 1 Numero contatti: 1 Contacts: Coax Contatti: Coassiale</p>  <p>Impedance: 75Ω or 50Ω Rated voltage: 50V Page: 12.55 - 12.58 Pagina:</p>	<p>Series - Serie: S-M/RJ45 Number of contacts: 8 Numero contatti: 8 Contacts: RJ45 8p8c Contatti: RJ45 8p8c</p>  <p>Rated current: 1A Rated voltage: 50V Page: 12.59 - 12.60 Pagina:</p>	<p>Series S-M/PN2 Serie Number of contacts: 2 Numero contatti Connector: Pneumatic Connettore Pneumatico</p>  <p>Working pressure: up to 8 bar Page: 12.61 - 12.62 Pagina:</p>
<p>Series S-M/PN3 Serie Number of contacts: 3 Numero contatti Connector: Pneumatic Connettore Pneumatico</p>  <p>Working pressure: up to 8 bar Page: 12.63 - 12.64 Pagina:</p>	<p>Series S-M Serie Dummy module Falso modulo</p>  <p>Page: 12.65 Pagina:</p>		


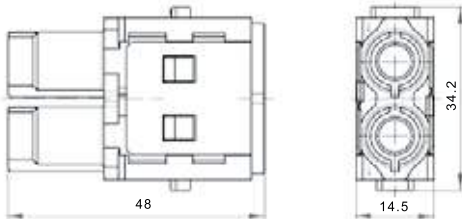



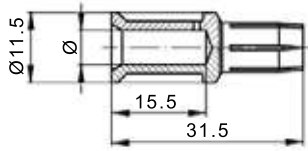

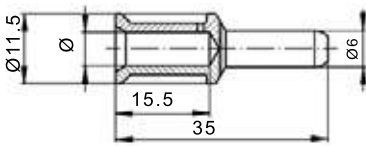
Technical characteristics	Caratteristiche tecniche
<p>Specifications: EN 60664-1 EN 61984 EN 50124-1 UL 1977 CSA C22.2 No. 182.3</p>	<p>Norme di riferimento: EN 60664-1 EN 61984 EN 50124-1 UL 1977 CSA C22.2 No. 182.3</p>
<p>Approvals: (UL) </p>	<p>Approvazioni: (UL) </p>
<p>Number of contacts: 1</p>	<p>Numero dei contatti: 1</p>
<p>Electrical data acc. to EN 61984</p>	<p>Caratteristiche elettriche secondo EN 61984</p>
<p>Current carrying capacity: Please refer to "Electrical engineering data" page 00.42 Load diagram: 3 modules in 24B size hoods/housings</p>	<p>Portata di corrente: Vedere "Caratteristiche elettriche" pag. 00.42 Diagramma di carico: 3 moduli in custodie grandezza 24B</p>
<p>Power modules for big wire gauge up to 70 mm²</p> <p>Working voltage acc. to UL/CSA 600V Insulation resistance $\geq 10^{10} \Omega$ Material Polycarbonate Limiting temperatures - 40 °C ... + 125 °C Flammability acc. to UL94 V-0 Mechanical working life ≥ 500 cycles</p>	<p>Moduli di potenza per cavi fino a 70 mm²</p> <p>Tensione nominale secondo UL/CSA 600V Resistenza di isolamento $\geq 10^{10} \Omega$ Materiale Policarbonato Limiti di temperature - 40 °C ... + 125 °C Autoestinguenza UL94 V-0 Vita meccanica ≥ 500 cicli</p>
<p>Contacts:</p> <p>Material : Copper alloy Surface: Silver plated Gold plated Contact resistance: $\leq 0,3 m \Omega$ Crimp terminal - mm² 16 ÷ 70 - AWG 5 ÷ 00 Stripping length: see table page 12.12 Maximum insulation DIA: 18mm</p>	<p>Contatti:</p> <p>Materiale: Lega di rame Finitura: Argentati Dorati Resistenza di contatto: $\leq 0,3 m \Omega$ Terminali a crimpare - mm² 16 ÷ 70 - AWG 5 ÷ 00 Lunghezza spellatura: Vedere tabella pagina 12.12 Diametro massimo del cavo: 18 mm</p>
<p>According to EN61984 connectors should not be coupled and decoupled under electrical load.</p>	<p>Secondo la norma EN61984 i connettori non devono essere connessi e sconnessi sotto carico</p>

Inserts, size 2 modules Inserti, grandezza 2 moduli		UL (UL)	CE (RoHS)	Numbering Numerazione	Part No. Codice	
<p>Contact carrier for female contacts Inserto porta contatti per contatti femmina</p>  <p>For stranded wires Per fili flessibili Please order contacts separately Contatti da ordinare separatamente</p>		1	7701.3056.0			
<p>Contact carrier for male contacts Inserto porta contatti per contatti maschio</p>  <p>For stranded wires Per fili flessibili Please order contacts separately Contatti da ordinare separatamente</p>		1	7701.3058.0			
200A crimp contacts, turned Contatti a crimpare da 200A, torniti		Ø mm	Stripping l. Spellatura filo mm	Wire mm ² Filo mm ²	Wire gauge Calibro filo	Part No. Codice
<p>Female Femmina</p>  	5,5	19	16	5 AWG	7700.3065.0	
	7	19	25	4 AWG	7700.3066.0	
	8,2	20	35	2 AWG	7700.3067.0	
	10	22,5	50	0 AWG	7700.3068.0	
	11,5	22,5	70	00 AWG	7700.3069.0	
<p>Male Maschio</p>  	5,5	19	16	5 AWG	7700.3071.0	
	7	19	25	4 AWG	7700.3072.0	
	8,2	20	35	2 AWG	7700.3073.0	
	10	22,5	50	0 AWG	7700.3074.0	
	11,5	22,5	70	00 AWG	7700.3075.0	
<p>- Material: Copper alloy Materiale: Lega di rame - Surface: Silver plated Finitura: Argentati</p>		<p>For stranded wires according to IEC 60228 class 5 Per conduttori flessibili secondo IEC 60228 classe 5</p> <p>For the best performance and the lowest contact resistance, Molex recommends the use of manual tools, die sets and machines illustrated in the section 60 of this catalogue Per le migliori caratteristiche e la minima resistenza di contatto, si raccomanda l'utilizzo delle pinze manuali, gli applicatori e le macchine illustrate nella sezione 60 di questo catalogo</p>				
<p>For frame S-M series Per telai serie S-M</p>	<p>Dimensions in mm Part No. bold letters refer to standard availability. Normal letters refer to items on special request. Dimensioni in mm I codici in grassetto indicano i prodotti di normale disponibilità. Il carattere normale indica i prodotti speciali su richiesta.</p>			<p>Accessories, cable glands and tools see sections 50, 55 e 60 Accessori, pressacavi ed attrezzi vedere sezioni 50, 55 e 60</p>		

Technical characteristics	Caratteristiche tecniche
<p>Specifications: EN 60664-1 EN 61984 UL 1977 CSA C22.2 No. 182.3</p>	<p>Norme di riferimento: EN 60664-1 EN 61984 UL 1977 CSA C22.2 No. 182.3</p>
<p>Approvals:  (UL)  </p>	<p>Approvazioni:  (UL)  </p>
<p>Number of contacts: 2</p>	<p>Numero dei contatti: 2</p>
<p>Electrical data acc. to EN 61984</p> 	<p>Caratteristiche elettriche secondo EN 61984</p> 
<p>Current carrying capacity: Please refer to "Electrical engineering data" page 00.42 Load diagram: 3 modules in 24B size hoods/housings</p>	<p>Portata di corrente: Vedere "Caratteristiche elettriche" pag. 00.42 Diagramma di carico: 3 moduli in custodie grandezza 24B</p>
<p>Power modules for big wire gauge up to 35 mm²</p> <p>Working voltage acc. to UL/CSA 600V Insulation resistance $\geq 10^{10} \Omega$ Material Polycarbonate Limiting temperatures - 40 °C ... + 125 °C Flammability acc. to UL94 V-0 Mechanical working life ≥ 500 cycles</p>	<p>Moduli di potenza per cavi fino a 35 mm²</p> <p>Tensione nominale secondo UL/CSA 600V Resistenza di isolamento $\geq 10^{10} \Omega$ Materiale Polycarbonato Limiti di temperatura - 40 °C ... + 125 °C Autoestinguenza UL94 V-0 Vita meccanica ≥ 500 cicli</p>
<p>Contacts:</p> <p>Material : Copper alloy Surface: Silver plated Contact resistance: $\leq 0,3 m \Omega$ Crimp terminal - mm² 10 + 35 - AWG 8 + 2 Stripping length: See table page 12.14 Max cable diameter: 14 mm</p>	<p>Contatti:</p> <p>Materiale: Lega di rame Finitura: Argentati Resistenza di contatto: $\leq 0,3 m \Omega$ Terminali a crimpare - mm² 10 + 35 - AWG 8 + 2 Lunghezza spellatura: Vedere tabella pag. 12.14 Diametro massimo del cavo: 14 mm</p>
<p>According to EN61984 connectors should not be coupled and decoupled under electrical load.</p>	<p>Secondo la norma EN61984 i connettori non devono essere connessi e sconnessi sotto carico</p>

Inserts, size 2 modules <i>Inserti, grandezza 2 moduli</i>		UL (UL)	CE	RoHS	Numbering <i>Numerazione</i>	Part No. <i>Codice</i>
<p>Contact carrier for female contacts <i>Inserto porta contatti per contatti femmina</i></p>  <p>For stranded wires <i>Per fili flessibili</i> Please order contacts separately <i>Contatti da ordinare separatamente</i></p>					1-2	7702.3090.0
<p>Contact carrier for male contacts <i>Inserto porta contatti per contatti maschio</i></p>  <p>For stranded wires <i>Per fili flessibili</i> Please order contacts separately <i>Contatti da ordinare separatamente</i></p>					1-2	7702.3092.0
100A crimp contacts, turned <i>Contatti a crimpare da 100A, torniti</i>		Ø mm	Stripping l. <i>Spellatura filo</i> mm	Wire mm ² <i>Filo mm²</i>	Wire gauge <i>Calibro filo</i>	Part No. <i>Codice</i>
<p>Female - <i>Femmina</i></p>  	4,3	19	10	8 AWG	7700.3131.0	
	5,5	19	16	5 AWG	7700.3132.0	
	7	19	25	4 AWG	7700.3133.0	
	8,2	16	35	2 AWG	7700.3134.0	
<p>Male - <i>Maschio</i></p>  	4,3	19	10	8 AWG	7700.3135.0	
	5,5	19	16	5 AWG	7700.3136.0	
	7	19	25	4 AWG	7700.3137.0	
	8,2	16	35	2 AWG	7700.3138.0	
<p>- Material: <i>Materiale:</i> Copper alloy <i>Lega di rame</i> - Surface: <i>Finitura:</i> Silver plated <i>Argentati</i></p>		<p>For stranded wires according to IEC 60228 class 5 <i>Per conduttori flessibili secondo IEC 60228 classe 5</i></p> <p>For the best performance and the lowest contact resistance, Molex recommends the use of manual tools, die sets and machines illustrated in the section 60 of this catalogue <i>Per le migliori caratteristiche e la minima resistenza di contatto, si raccomanda l'utilizzo delle pinze manuali, gli applicatori e le macchine illustrate nella sezione 60 di questo catalogo</i></p>				
<p>For frame S-M series <i>Per telai serie S-M</i></p>	<p>Dimensions in mm Part No. bold letters refer to standard availability. Normal letters refer to items on special request. <i>Dimensioni in mm I codici in grassetto indicano i prodotti di normale disponibilità. Il carattere normale indica i prodotti speciali su richiesta.</i></p>			<p>Accessories, cable glands and tools see sections 50, 55 e 60 <i>Accessori, pressacavi ed attrezzi vedere sezioni 50, 55 e 60</i></p>		

Technical characteristics	Caratteristiche tecniche
<p>Specifications: EN 60664-1 EN 61984 UL 1977 CSA C22.2 No. 182.3</p>	<p>Norme di riferimento: EN 60664-1 EN 61984 UL 1977 CSA C22.2 No. 182.3</p>
<p>Approvals:  (UL) </p>	<p>Approvazioni:  (UL) </p>
<p>Number of contacts: 2</p>	<p>Numero dei contatti: 2</p>
<p>Electrical data acc. to EN 61984</p> 	<p>Caratteristiche elettriche secondo EN 61984</p> 
<p>Current carrying capacity: Please refer to "Electrical engineering data" page 00.43 Load diagram: 6 modules in 24B size hoods/housings</p>	<p>Portata di corrente: Vedere "Caratteristiche elettriche" pag. 00.43 Diagramma di carico: 6 moduli in custodie grandezza 24B</p>
<p>Power modules for big wire gauge up to 25 mm²</p> <p>Working voltage acc. to UL/CSA 600V Insulation resistance $\geq 10^{10} \Omega$ Material Polycarbonate Limiting temperatures - 40 °C ... + 125 °C Flammability acc. to UL94 V-0 Mechanical working life ≥ 500 cycles</p>	<p>Moduli di potenza per cavi fino a 25 mm²</p> <p>Tensione nominale secondo UL/CSA 600V Resistenza di isolamento $\geq 10^{10} \Omega$ Materiale Policarbonato Limiti di temperature - 40 °C ... + 125 °C Autoestinguenza UL94 V-0 Vita meccanica ≥ 500 cicli</p>
<p>Contacts:</p> <p>Material : Copper alloy Surface: Silver plated Contact resistance: $\leq 0,3 m \Omega$ Crimp terminal - mm² 10 ÷ 25 - AWG 8 ÷ 4 Stripping length : See table page 12.16 Max cable diameter: 11 mm</p>	<p>Contatti:</p> <p>Materiale: Lega di rame Finitura: Argentati Resistenza di contatto: $\leq 0,3 m \Omega$ Terminali a crimpare - mm² 10 ÷ 25 - AWG 8 ÷ 4 Lunghezza spellatura: Vedere tabella pag. 12.16 Diametro massimo del cavo: 11 mm</p>
<p>According to EN61984 connectors should not be coupled and decoupled under electrical load.</p>	<p>Secondo la norma EN61984 i connettori non devono essere connessi e sconnessi sotto carico</p>

Inserts, size 1 module <i>Inserti, grandezza 1 modulo</i>		UL	CE	RoHS	Numbering <i>Numerazione</i>	Part No. <i>Codice</i>
<p>Contact carrier for female contacts <i>Inserto porta contatti per contatti femmina</i></p>  <p>For stranded wires <i>Per fili flessibili</i> Please order contacts separately <i>Contatti da ordinare separatamente</i></p>					1-2	7702.3181.0
<p>Contact carrier for male contacts <i>Inserto porta contatti per contatti maschio</i></p>  <p>For stranded wires <i>Per fili flessibili</i> Please order contacts separately <i>Contatti da ordinare separatamente</i></p>					1-2	7702.3182.0
70A crimp contacts, turned <i>Contatti a crimpare da 70A, torniti</i>		Ø mm	Stripping l. <i>Spellatura filo</i> mm	Wire mm ² <i>Filo mm²</i>	Wire gauge <i>Calibro filo</i>	Part No. <i>Codice</i>
<p>Female - Femmina</p>  	4,3 5,5 7	15.0 15.0 15.0	10 16 25	7 AWG 5 AWG 4 AWG	7700.3184.0 7700.3185.0 7700.3186.0	
<p>Male - Maschio</p>  	4,3 5,5 7	15.0 15.0 15.0	10 16 25	7 AWG 5 AWG 4 AWG	7700.3188.0 7700.3189.0 7700.3190.0	
<p>- Material: <i>Materiale:</i> Copper alloy <i>Lega di rame</i></p> <p>- Surface: <i>Finitura:</i> Silver plated <i>Argentati</i></p>		<p>For stranded wires according to IEC 60228 class 5 <i>Per conduttori flessibili secondo IEC 60228 classe 5</i></p> <p>For the best performance and the lowest contact resistance, Molex recommends the use of manual tools, die sets and machines illustrated in the section 60 of this catalogue <i>Per le migliori caratteristiche e la minima resistenza di contatto, si raccomanda l'utilizzo delle pinze manuali, gli applicatori e le macchine illustrate nella sezione 60 di questo catalogo</i></p>				
<p>For frame S-M series <i>Per telai serie S-M</i></p>	<p>Dimensions in mm Part No. bold letters refer to standard availability. Normal letters refer to items on special request. <i>Dimensioni in mm I codici in grassetto indicano i prodotti di normale disponibilità. Il carattere normale indica i prodotti speciali su richiesta.</i></p>			<p>Accessories, cable glands and tools see sections 50, 55 e 60 <i>Accessori, pressacavi ed attrezzi vedere sezioni 50, 55 e 60</i></p>		

Technical characteristics

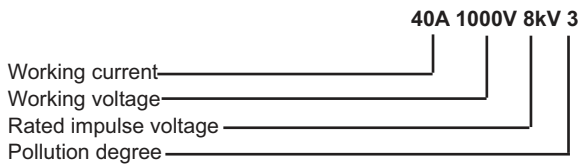
Caratteristiche tecniche

Specifications: EN 60664-1
EN 61984
UL 1977
CSA C22.2 No. 182.3

Approvals:  (UL)
 

Number of contacts: 2

Electrical data acc. to EN 61984



Current carrying capacity: Please refer to "Electrical engineering data" page 00.43
Load diagram:
6 modules in 24B size hoods/housings

Power modules for big wire gauge up to 10 mm²

Working voltage acc. to UL/CSA 600V
Insulation resistance $\geq 10^{10} \Omega$
Material Polycarbonate
Limiting temperatures - 40 °C ... + 125 °C
Flammability acc. to UL94 V-0
Mechanical working life ≥ 500 cycles

Contacts:

Material : Copper alloy
Surface: Silver plated
Contact resistance $\leq 0,3 m \Omega$
Crimp terminal - mm² 2,5 ÷ 10
- AWG 14 ÷ 7

Stripping length :

Wire section mm ²	2.5	4	6	10
Stripping length mm	5	5	8	11

Tightening torque:

Wire section mm ²	2.5	4	6	10
Torque	1.5	1,5	2	2

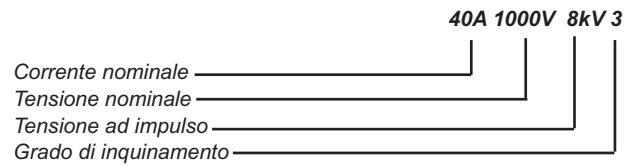
According to EN61984 connectors should not be coupled and decoupled under electrical load.

Norme di riferimento: EN 60664-1
EN 61984
UL 1977
CSA C22.2 No. 182.3

Approvazioni:  (UL)
 

Numero dei contatti: 2

Caratteristiche elettriche secondo EN 61984



Portata di corrente: Vedere "Caratteristiche elettriche" pag. 00.43
Diagramma di carico:
6 moduli in custodie grandezza 24B

Moduli di potenza per cavi fino a 10 mm²

Tensione nominale secondo UL/CSA 600V
Resistenza di isolamento $\geq 10^{10} \Omega$
Materiale Polycarbonate
Limiti di temperature - 40 °C ... + 125 °C
Autoestinguenza UL94 V-0
Vita meccanica ≥ 500 cicli

Contatti:

Materiale: Lega di rame
Finitura: Argentati
Resistenza di contatto: $\leq 0,3 m \Omega$
Terminali a crimpare - mm² 2,5 ÷ 10
- AWG 14 ÷ 7

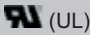



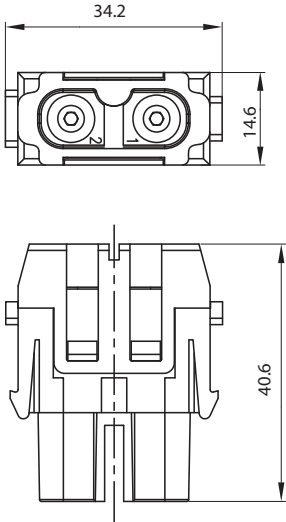

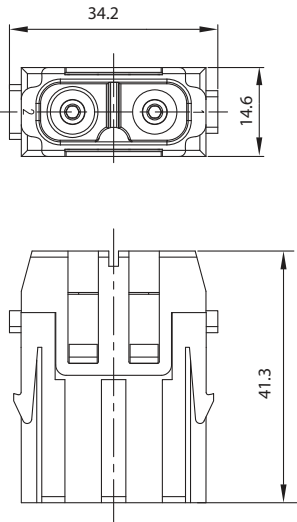

Lunghezza spellatura:

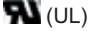


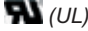


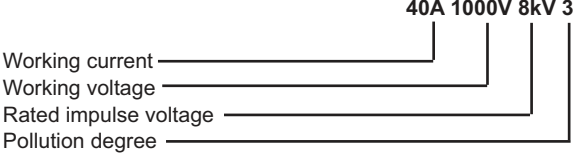
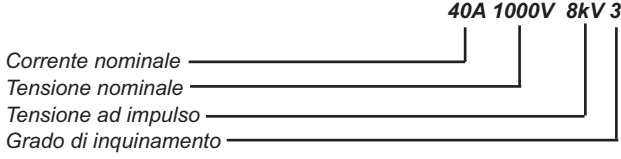
Sezione del filo mm ²	2.5	4	6	10
Lunghezza spellatura mm	5	5	8	11


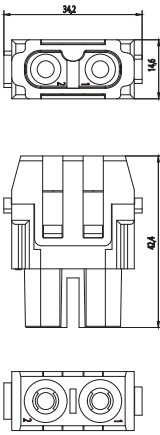

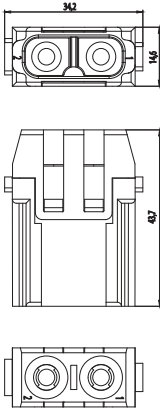

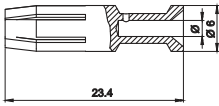

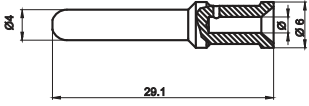
Coppia di serraggio:

Sezione del filo mm ²	2.5	4	6	10
Coppia	1.5	1,5	2	2

Secondo la norma EN61984 i connettori non devono essere connessi e sconnessi sotto carico

Inserts, size 1 module Inserti, grandezza 1 modulo	 (UL)  	Wire size Sez. filo	Numbering Numerazione	Part No. Codice
Female insert Inserto femmina 		2,5-8 mm ² 14-8 AWG	1-3	7702.3230.0
For stranded wires Per fili flessibili				7702.3232.0
Male insert Inserto maschio 		2,5-8 mm ² 14-8 AWG	1-3	7702.3234.0
For stranded wires Per fili flessibili				7702.3236.0
	Male Hex key SW 2 Chiave maschio esagonale			8500.3698.0
For frame S-M series Per telai serie S-M	Dimensions in mm Part No. bold letters refer to standard availability. Normal letters refer to items on special request. Dimensioni in mm I codici in grassetto indicano i prodotti di normale disponibilità. Il carattere normale indica i prodotti speciali su richiesta.		Accessories, cable glands and tools see sections 50, 55 e 60 Accessori, pressacavi ed attrezzi vedere sezioni 50, 55 e 60	

Technical characteristics	Caratteristiche tecniche
<p>Specifications: EN 60664-1 EN 61984 UL 1977 CSA C22.2 No. 182.3</p>	<p>Norme di riferimento: EN 60664-1 EN 61984 UL 1977 CSA C22.2 No. 182.3</p>
<p>Approvals:  (UL)  </p>	<p>Approvazioni:  (UL)  </p>
<p>Number of contacts: 2</p>	<p>Numero dei contatti: 2</p>
<p>Electrical data acc. to EN 61984</p>	<p>Caratteristiche elettriche secondo EN 61984</p>
<p style="text-align: right;">40A 1000V 8kV 3</p> 	<p style="text-align: right;">40A 1000V 8kV 3</p> 
<p>Current carrying capacity: Please refer to "Electrical engineering data" page 00.43 Load diagram: 6 modules in 24B size hoods/housings</p>	<p>Portata di corrente: Vedere "Caratteristiche elettriche" pag. 00.43 Diagramma di carico: 6 moduli in custodie grandezza 24B</p>
<p>Power modules for big wire gauge up to 10 mm²</p>	<p>Moduli di potenza per cavi fino a 10 mm²</p>
<p>Working voltage acc. to UL/CSA 600V Insulation resistance $\geq 10^{10} \Omega$ Material Polycarbonate Limiting temperatures - 40 °C ... + 125 °C Flammability acc. to UL94 V-0 Mechanical working life ≥ 500 cycles</p>	<p>Tensione nominale secondo UL/CSA 600V Resistenza di isolamento $\geq 10^{10} \Omega$ Materiale Policarbonato Limiti di temperature - 40 °C ... + 125 °C Autoestinguenza UL94 V-0 Vita meccanica ≥ 500 cicli</p>
<p>Contacts:</p>	<p>Contatti:</p>
<p>Material : Copper alloy Surface: Silver plated Contact resistance $\leq 0,3 m \Omega$ Crimp terminal - mm² 1,5 ÷ 10 - AWG 16 ÷ 7 Stripping length : See table page 12.20</p>	<p>Materiale: Lega di rame Finitura: Argentati Resistenza di contatto: $\leq 0,3 m \Omega$ Terminali a crimpare - mm² 1,5 ÷ 10 - AWG 16 ÷ 7 Lunghezza spellatura: Vedere tabella pag. 12.20</p>
<p style="text-align: center;">According to EN61984 connectors should not be coupled and decoupled under electrical load.</p>	<p style="text-align: center;">Secondo la norma EN61984 i connettori non devono essere connessi e sconnessi sotto carico</p>

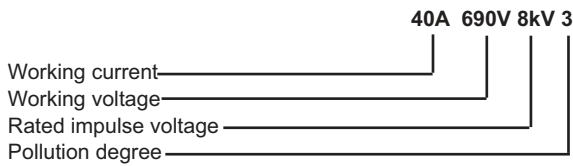
Inserts, size 1 module Inserti, grandezza 1 modulo		UL (UL)	CE	RoHS	Numbering Numerazione	Part No. Codice
<p>Contact carrier for female contacts Inserto porta contatti per contatti femmina</p>  <p>For stranded wires Per fili flessibili Please order contacts separately Contatti da ordinare separatamente</p>		1-2	7702.3240.0			
<p>Contact carrier for male contacts Inserto porta contatti per contatti maschio</p>  <p>For stranded wires Per fili flessibili Please order contacts separately Contatti da ordinare separatamente</p>		1-2	7702.3242.0			
40A crimp contacts, turned Contatti a crimpare da 40A, torniti		Ø mm	Stripping l. Spellatura filo mm	Wire mm ² Filo mm ²	Wire gauge Calibro filo	Part No. Codice
<p>Female Femmina</p>   <p>Male Maschio</p>   <p>- Material: Copper alloy Materiale: Lega di rame - Surface: Silver plated Finitura: Argentati</p>	1,75	9	1,5	16 AWG	7600.5700.0	
	2,25	9	2,5	14 AWG	7600.5701.0	
	2,85	9,6	4	12 AWG	7600.5702.0	
	3,5	9,6	6	10 AWG	7600.5703.0	
	4,3	15	10	7 AWG	7600.5704.0	
	1,75	9	1,5	16 AWG	7600.5710.0	
	2,25	9	2,5	14 AWG	7600.5711.0	
	2,85	9,6	4	12 AWG	7600.5712.0	
	3,5	9,6	6	10 AWG	7600.5713.0	
	4,3	15	10	7 AWG	7600.5714.0	
<p>For the best performance and the lowest contact resistance, Molex recommends the use of manual tools, die sets and machines illustrated in the section 60 of this catalogue Per le migliori caratteristiche e la minima resistenza di contatto, si raccomanda l'utilizzo delle pinze manuali, gli applicatori e le macchine illustrate nella sezione 60 di questo catalogo</p>						
For frame S-M series Per telai serie S-M	<p>Dimensions in mm Part No. bold letters refer to standard availability. Normal letters refer to items on special request. Dimensioni in mm I codici in grassetto indicano i prodotti di normale disponibilità. Il carattere normale indica i prodotti speciali su richiesta.</p>				<p>Accessories, cable glands and tools see sections 50, 55 e 60 Accessori, pressacavi ed attrezzi vedere sezioni 50, 55 e 60</p>	

Technical characteristics
Caratteristiche tecniche

Specifications: EN 60664-1
EN 61984
UL 1977
CSA C22.2 No. 182.3

Approvals: (UL)

Number of contacts: 3

Electrical data acc. to EN 61984


Current carrying capacity: Please refer to "Electrical engineering data" page 00.44
Load diagram:
6 modules in 24B size hoods/housings

Power modules for big wire gauge up to 10 mm²

Working voltage acc. to UL/CSA 600V
Insulation resistance $\geq 10^{10} \Omega$
Material Polycarbonate
Limiting temperatures - 40 °C ... + 125 °C
Flammability acc. to UL94 V-0
Mechanical working life ≥ 500 cycles

Contacts:

Material : Copper alloy
Surface: Silver plated
Contact resistance $\leq 0,3 m \Omega$
Crimp terminal - mm² 2,5 ÷ 10
- AWG 14 ÷ 7

Stripping length :

Wire section mm ²	2,5	4	6	10
Stripping length mm	5	5	8	11

Tightening torque:

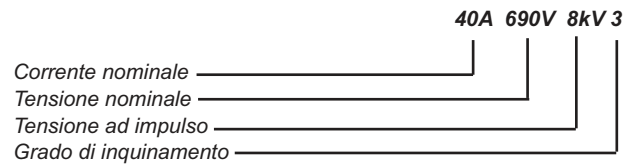
Wire section mm ²	2,5	4	6	10
Torque	1,5	1,5	2	2

According to EN61984 connectors should not be coupled and decoupled under electrical load.

Norme di riferimento: EN 60664-1
EN 61984
UL 1977
CSA C22.2 No. 182.3

Approvazioni: (UL)

Numero dei contatti: 3

Caratteristiche elettriche secondo EN 61984


Portata di corrente: Vedere "Caratteristiche elettriche" pag. 00.44
Diagramma di carico:
6 moduli in custodie grandezza 24B

Moduli di potenza per cavi fino a 10 mm²

Tensione nominale secondo UL/CSA 600V
Resistenza di isolamento $\geq 10^{10} \Omega$
Materiale Polycarbonate
Limiti di temperature - 40 °C ... + 125 °C
Autoestinguenza UL94 V-0
Vita meccanica ≥ 500 cicli

Contatti:

Materiale: Lega di rame
Finitura: Argentati
Resistenza di contatto: $\leq 0,3 m \Omega$
Terminali a crimpare - mm² 2,5 ÷ 10
- AWG 14 ÷ 7

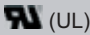



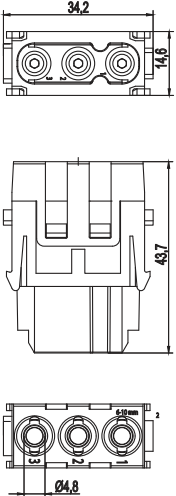

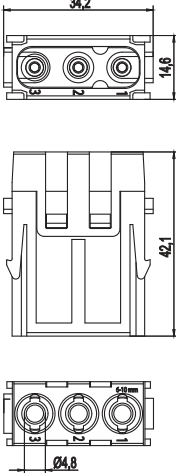

Lunghezza spellatura:

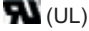


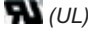


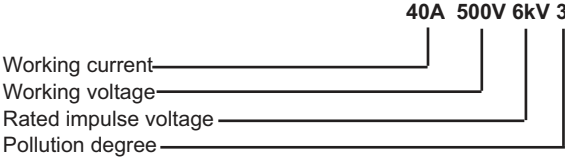
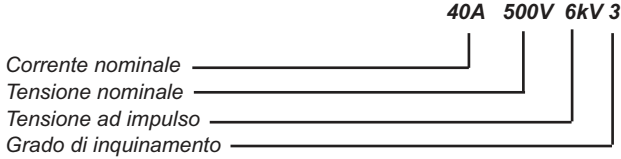
Sezione del filo mm ²	2,5	4	6	10
Lunghezza spellatura mm	5	5	8	11


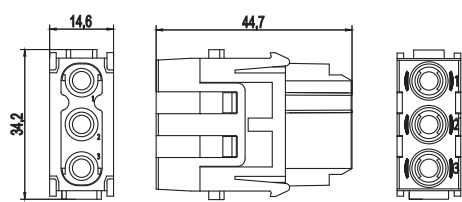

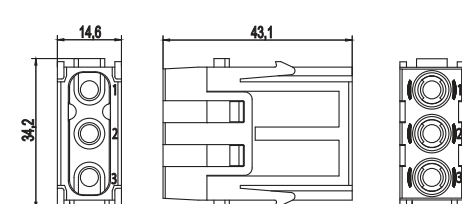

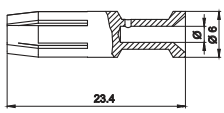

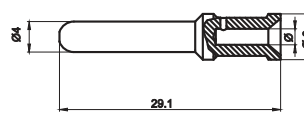
Coppia di serraggio

Sezione del filo mm ²	2,5	4	6	10
Coppia	1,5	1,5	2	2

Secondo la norma EN61984 i connettori non devono essere connessi e sconnessi sotto carico

Inserts, size 1 module Inserti, grandezza 1 modulo	 (UL)  	Wire size Sez. filo	Numbering Numerazione	Part No. Codice
Female insert Inserto femmina 		2,5-8 mm ² 14-8 AWG	1-3	7703.3250.0
For stranded wires Per fili flessibili		6-10 mm ² 10-7 AWG	1-3	7703.3252.0
Male insert Inserto maschio 		2,5-8 mm ² 14-8 AWG	1-3	7703.3254.0
For stranded wires Per fili flessibili		6-10 mm ² 10-7 AWG	1-3	7703.3256.0
	Male Hex key SW 2 Chiave maschio esagonale			8500.3698.0
For frame S-M series Per telai serie S-M	Dimensions in mm Part No. bold letters refer to standard availability. Normal letters refer to items on special request. Dimensioni in mm I codici in grassetto indicano i prodotti di normale disponibilità. Il carattere normale indica i prodotti speciali su richiesta.		Accessories, cable glands and tools see sections 50, 55 e 60 Accessori, pressacavi ed attrezzi vedere sezioni 50, 55 e 60	

Technical characteristics	Caratteristiche tecniche
<p>Specifications: EN 60664-1 EN 61984 UL 1977 CSA C22.2 No. 182.3</p>	<p>Norme di riferimento: EN 60664-1 EN 61984 UL 1977 CSA C22.2 No. 182.3</p>
<p>Approvals:  (UL)  </p>	<p>Approvazioni:  (UL)  </p>
<p>Number of contacts: 3</p>	<p>Numero dei contatti: 3</p>
<p>Electrical data acc. to EN 61984</p> 	<p>Caratteristiche elettriche secondo EN 61984</p> 
<p>Current carrying capacity: Please refer to "Electrical engineering data" page 00.44 Load diagram: 6 modules in 24B size hoods/housings</p>	<p>Portata di corrente: Vedere "Caratteristiche elettriche" pag. 00.44 Diagramma di carico: 6 moduli in custodie grandezza 24B</p>
<p>Power modules for big wire gauge up to 10 mm²</p> <p>Working voltage acc. to UL/CSA 600V Insulation resistance $\geq 10^{10} \Omega$ Material Polycarbonate Limiting temperatures - 40 °C ... + 125 °C Flammability acc. to UL94 V-0 Mechanical working life ≥ 500 cycles</p>	<p>Moduli di potenza per cavi fino a 10 mm²</p> <p>Tensione nominale secondo UL/CSA 600V Resistenza di isolamento $\geq 10^{10} \Omega$ Materiale Policarbonato Limiti di temperature - 40 °C ... + 125 °C Autoestinguenza UL94 V-0 Vita meccanica ≥ 500 cicli</p>
<p>Contacts:</p> <p>Material : Copper alloy Surface: Silver plated Contact resistance $\leq 0,3 m \Omega$ Crimp terminal - mm² 1,5 ÷ 10 - AWG 16 ÷ 7 Stripping length : See table page 12.24</p>	<p>Contatti:</p> <p>Materiale: Lega di rame Finitura: Argentati Resistenza di contatto: $\leq 0,3 m \Omega$ Terminali a crimpare - mm² 1,5 ÷ 10 - AWG 16 ÷ 7 Lunghezza spellatura: Vedere tabella pag. 12.24</p>
<p>According to EN61984 connectors should not be coupled and decoupled under electrical load.</p>	<p>Secondo la norma EN61984 i connettori non devono essere connessi e sconnessi sotto carico</p>

Inserts, size 1 module <i>Inserti, grandezza 1 modulo</i>		UL (UL)	CE	RoHS	Numbering <i>Numerazione</i>	Part No. <i>Codice</i>
<p>Contact carrier for female contacts <i>Inserto porta contatti per contatti femmina</i></p>  <p>For stranded wires <i>Per fili flessibili</i> Please order contacts separately <i>Contatti da ordinare separatamente</i></p>	 <p>Cable DIA: < 7.5 mm <i>Diametro cavo: < 7.5 mm</i></p>				1-3	7703.3264.0
<p>Contact carrier for male contacts <i>Inserto porta contatti per contatti maschio</i></p>  <p>For stranded wires <i>Per fili flessibili</i> Please order contacts separately <i>Contatti da ordinare separatamente</i></p>	 <p>Cable DIA: < 7.5 mm <i>Diametro cavo: < 7.5 mm</i></p>				1-3	7703.3266.0
40A crimp contacts, turned <i>Contatti a crimpare da 40A, torniti</i>		Ø mm	Stripping l. <i>Spellatura filo</i> mm	Wire mm ² <i>Filo mm²</i>	Wire gauge <i>Calibro filo</i>	Part No. <i>Codice</i>
<p>Female <i>Femmina</i></p>  	1,75	9	1,5	16 AWG	7600.5700.0	
	2,25	9	2,5	14 AWG	7600.5701.0	
	2,85	9,6	4	12 AWG	7600.5702.0	
	3,5	9,6	6	10 AWG	7600.5703.0	
	4,3	15	10	7 AWG	7600.5704.0	
<p>Male <i>Maschio</i></p>  	1,75	9	1,5	16 AWG	7600.5710.0	
	2,25	9	2,5	14 AWG	7600.5711.0	
	2,85	9,6	4	12 AWG	7600.5712.0	
	3,5	9,6	6	10 AWG	7600.5713.0	
	4,3	15	10	7 AWG	7600.5714.0	
<p>- Material: Copper alloy <i>Materiale: Lega di rame</i> - Surface: Hard silver <i>Finitura: Argentati</i></p>	<p>For the best performance and the lowest contact resistance, Molex recommends the use of manual tools, die sets and machines illustrated in the section 60 of this catalogue <i>Per le migliori caratteristiche e la minima resistenza di contatto, si raccomanda l'utilizzo delle pinze manuali, gli applicatori e le macchine illustrate nella sezione 60 di questo catalogo</i></p>					
<p>For frame S-M series <i>Per telai serie S-M</i></p>	<p>Dimensions in mm Part No. bold letters refer to standard availability. Normal letters refer to items on special request. <i>Dimensioni in mm I codici in grassetto indicano i prodotti di normale disponibilità. Il carattere normale indica i prodotti speciali su richiesta.</i></p>				<p>Accessories, cable glands and tools see sections 50, 55 e 60 <i>Accessori, pressacavi ed attrezzi vedere sezioni 50, 55 e 60</i></p>	

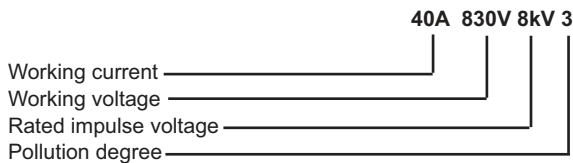
Technical characteristics
Caratteristiche tecniche

Specifications: EN 60664-1
EN 61984
UL 1977
CSA C22.2 No. 182.3

Approvals: (UL)

Number of contacts: 4

Electrical data acc. to EN 61984



Pollution degree 2 also: 40A 1000V 8kV 2

Current carrying capacity: Please refer to "Electrical engineering data" page 00.44
Load diagram: 6 modules in 24B size hoods/housings

Power modules for big wire gauge up to 6 mm²

Working voltage acc. to UL/CSA 600V
Insulation resistance $\geq 10^{10} \Omega$
Material Polycarbonate
Limiting temperatures - 40 °C ... + 125 °C
Flammability acc. to UL94 V-0
Mechanical working life ≥ 500 cycles

Contacts:

Material : Copper alloy
Surface: Silver plated
Contact resistance $\leq 0,3 \text{ m} \Omega$
Crimp terminal - mm² 1.5 ÷ 6
- AWG 16 ÷ 10
Stripping length : See table page 12.26

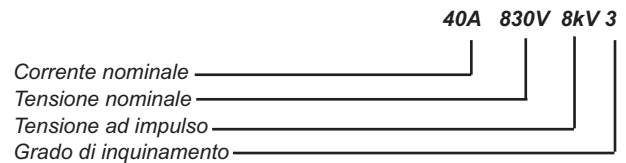
Safety: Finger safe male and female contacts IP2X or IPXXB
In accordance with EN 60204-1 Safety of machinery-Electrical equipment of machines, point 6.2.4:
Protection against residual voltage.

Norme di riferimento: EN 60664-1
EN 61984
UL 1977
CSA C22.2 No. 182.3

Approvazioni: (UL)

Numero dei contatti: 4

Caratteristiche elettriche secondo EN 61984



Con grado di inquinamento 2 40A 1000V 8kV 2

Portata di corrente: Vedere "Caratteristiche elettriche" pag. 00.44
Diagramma di carico: 6 moduli in custodia grandezza 24B

Moduli di potenza per cavi fino a 6 mm²

Tensione nominale secondo UL/CSA 600V
Resistenza di isolamento $\geq 10^{10} \Omega$
Materiale Polycarbonate
Limiti di temperature - 40 °C ... + 125 °C
Autoestinguenza UL94 V-0
Vita meccanica ≥ 500 cicli

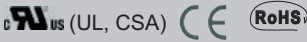

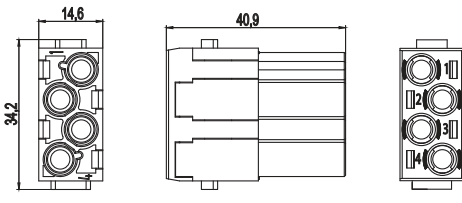

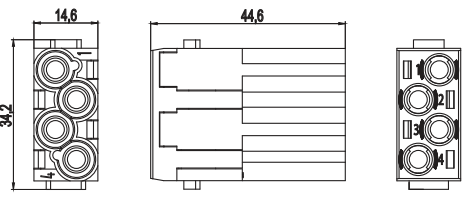

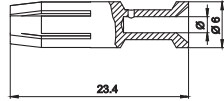

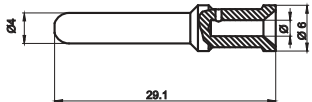
Contatti:




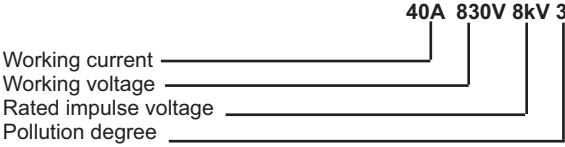
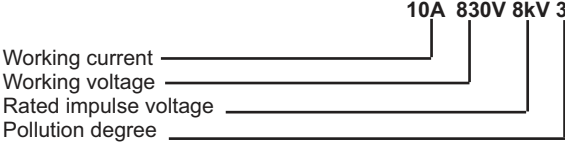



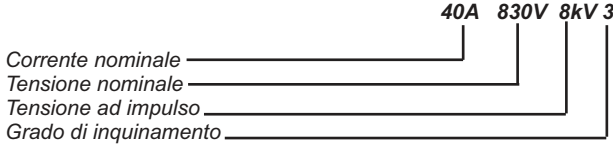
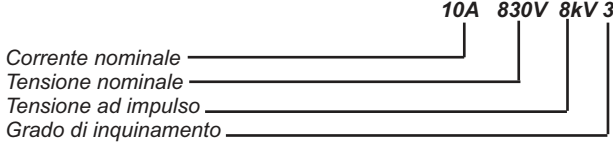
Materiale: Lega di rame
Finitura: Argentati
Resistenza di contatto: $\leq 0,3 \text{ m} \Omega$
Terminali a crimpare - mm² 1,5 ÷ 6
- AWG 16 ÷ 10
Lunghezza spellatura: Vedere tabella pag. 12.26


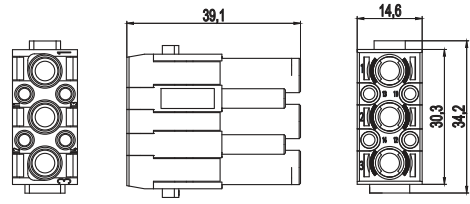

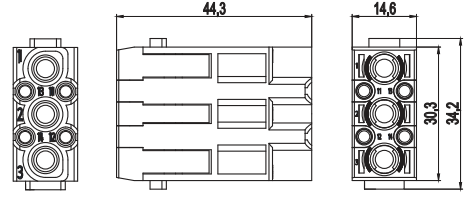

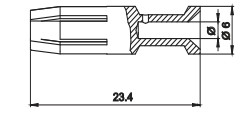

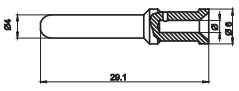

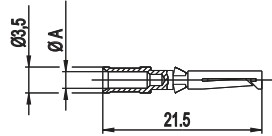

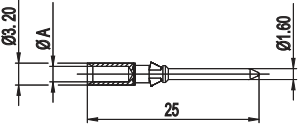
Sicurezza: Contatti maschio e femmina protetti a prova di contatto con le dita IP2X o IPXXB
Conforme alla Norma EN 60204-1 - Sicurezza del macchinario - Equipaggiamento elettrico delle macchine. punto 6.2.4:
Protezione contro le tensioni residue.

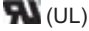


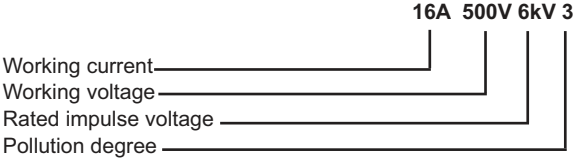



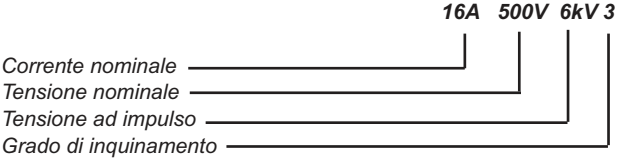
According to EN61984 connectors should not be coupled and decoupled under electrical load.


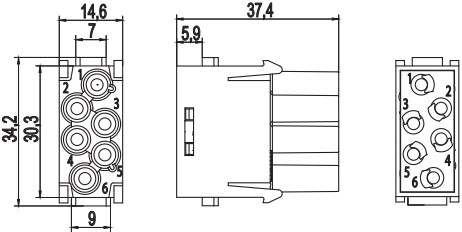

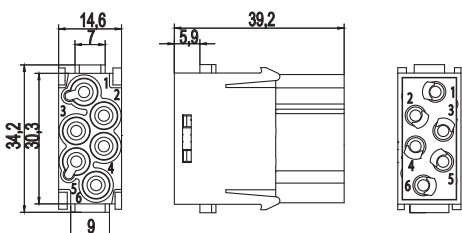

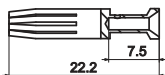

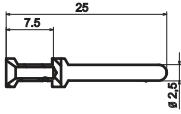
Secondo la norma EN61984 i connettori non devono essere connessi e sconnessi sotto carico




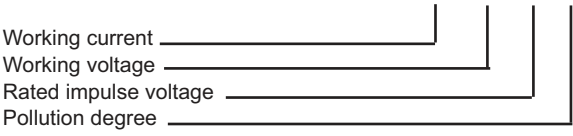



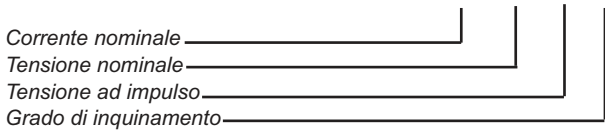
Inserts, size 1 module <i>Inserti, grandezza 1 modulo</i>					Numbering <i>Numerazione</i>	Part No. <i>Codice</i>
<p>Contact carrier for female contacts <i>Inserto porta contatti per contatti femmina</i></p>  <p>For stranded wires <i>Per fili flessibili</i> Please order contacts separately <i>Contatti da ordinare separatamente</i></p>				1-4	7704.3268.0	
<p>Contact carrier for male contacts <i>Inserto porta contatti per contatti maschio</i></p>  <p>For stranded wires <i>Per fili flessibili</i> Please order contacts separately <i>Contatti da ordinare separatamente</i></p>				1-4	7704.3270.0	
40A crimp contacts, turned <i>Contatti a crimpare da 40A, torniti</i>		Ø mm	Stripping l. <i>Spellatura filo</i> mm	Wire mm ² <i>Filo mm²</i>	Wire gauge <i>Calibro filo</i>	Part No. <i>Codice</i>
<p>Female <i>Femmina</i></p>  	1,75	9	1,5	16 AWG	7600.5700.0	
	2,25	9	2,5	14 AWG	7600.5701.0	
	2,85	9,6	4	13 AWG	7600.5702.0	
	3,5	9,6	6	10 AWG	7600.5703.0	
<p>Male <i>Maschio</i></p>  	1,75	9	1,5	16 AWG	7600.5710.0	
	2,25	9	2,5	14 AWG	7600.5711.0	
	2,85	9,6	4	13 AWG	7600.5712.0	
	3,5	9,6	6	10 AWG	7600.5713.0	
<p>- Material: <i>Materiale:</i> Copper alloy <i>Lega di rame</i> - Surface: <i>Finitura:</i> Silver plated <i>Argentati</i></p>	<p>For the best performance and the lowest contact resistance, Molex recommends the use of manual tools, die sets and machines illustrated in the section 60 of this catalogue <i>Per le migliori caratteristiche e la minima resistenza di contatto, si raccomanda l'utilizzo delle pinze manuali, gli applicatori e le macchine illustrate nella sezione 60 di questo catalogo</i></p>					
<p>For frame S-M series <i>Per telai serie S-M</i></p>	<p>Dimensions in mm Part No. bold letters refer to standard availability. Normal letters refer to items on special request. <i>Dimensioni in mm I codici in grassetto indicano i prodotti di normale disponibilità. Il carattere normale indica i prodotti speciali su richiesta.</i></p>			<p>Accessories, cable glands and tools see sections 50, 55 e 60 <i>Accessori, pressacavi ed attrezzi vedere sezioni 50, 55 e 60</i></p>		


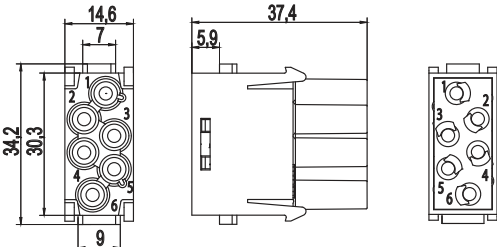

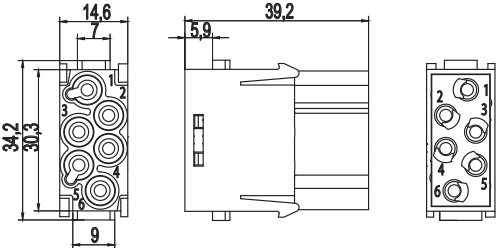

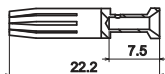

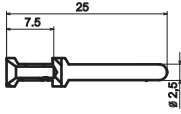
Technical characteristics	Caratteristiche tecniche
<p>Specifications: EN 60664-1 EN 61984 UL 1977 CSA C22.2 No. 182.3</p> <p>Approvals:  (UL)  </p> <p>Number of contacts: 3 power + 4 signal 40A power, 10A signal</p> <p>Electrical data acc. to EN 61984: Power contacts</p>  <p>Electrical data acc. to EN 61984: Signal contacts</p>  <p>Current carrying capacity: Please refer to "Electrical engineering data" page 00.44 Load diagram: 6 modules in 24B size hoods/housings</p> <p>Power modules for big wire gauge up to 6 mm²</p> <p>Working voltage acc. to UL/CSA 600V Insulation resistance $\geq 10^{10} \Omega$ Material Polycarbonate Limiting temperature - 40 °C ... + 125 °C Flammability acc. to UL94 V-0 Mechanical working life ≥ 500 cycles</p> <p>Contacts:</p> <p>Material : Copper alloy Surface: Silver plated Gold plated</p> <p>Contact resistance $\leq 0,3 \text{ m} \Omega$ power $\leq 3 \text{ m} \Omega$ signal Power / Signal</p> <p>Crimp terminal - mm² 1,5 ÷ 6 / 0,14 ÷ 2,5 - AWG 16 ÷ 10 / 26 ÷ 14</p> <p>Stripping length See table page 12.28</p> <p>Safety: Finger safe male and female contacts IP2X or IPXXB In accordance with EN 60204-1 Safety of machinery-Electrical equipment of machines, point 6.2.4: Protection against residual voltage.</p>	<p>Norme di riferimento: EN 60664-1 EN 61984 UL 1977 CSA C22.2 No. 182.3</p> <p>Approvazioni:  (UL)  </p> <p>Numero dei contatti: 3 potenza + 4 segnale 40A potenza, 10A segnale</p> <p>Caratteristiche elettriche sec. EN 61984: Contatti di potenza</p>  <p>Caratteristiche elettriche sec. EN 61984: Contatti di segnale</p>  <p>Portata di corrente: Vedere "Caratteristiche elettriche" pag. 00.44 Diagramma di carico: 6 moduli in custodia grandezza 24B</p> <p>Moduli di potenza per cavi fino a 6 mm²</p> <p>Tensione nominale secondo UL/CSA 600V Resistenza di isolamento $\geq 10^{10} \Omega$ Materiale Polycarbonate Limiti di temperature - 40 °C ... + 125 °C Autoestinguenza UL94 V-0 Vita meccanica ≥ 500 cicli</p> <p>Contatti:</p> <p>Materiale: Lega di rame Finitura: Argentati Dorati</p> <p>Resistenza di contatto: $\leq 0,3 \text{ m} \Omega$ potenza $\leq 3 \text{ m} \Omega$ segnale Potenza / Segnale</p> <p>Terminali a crimpare - mm² 1,5 ÷ 6 / 0,14 ÷ 2,5 - AWG 16 ÷ 10 / 26 ÷ 14</p> <p>Lunghezza spellatura Vedi tabella pagina 12.28</p> <p>Sicurezza: Contatti maschio e femmina protetti a prova di contatto con le dita IP2X o IPXXB Conforme alla Norma EN 60204-1 - Sicurezza del macchinario - Equipaggiamento elettrico delle macchine. punto 6.2.4: Protezione contro le tensioni residue.</p>
<p>For the best performance and the lowest contact resistance, Molex recommends the use of manual tools, die sets and machines illustrated in the section 60 of this catalogue</p>	<p>Per le migliori caratteristiche e la minima resistenza di contatto, si raccomanda l'utilizzo delle pinze manuali, gli applicatori e le macchine illustrate nella sezione 60 di questo catalogo</p>
<p>According to EN61984 connectors should not be coupled and decoupled under electrical load.</p>	<p>Secondo la norma EN61984 i connettori non devono essere connessi e sconnessi sotto carico</p>




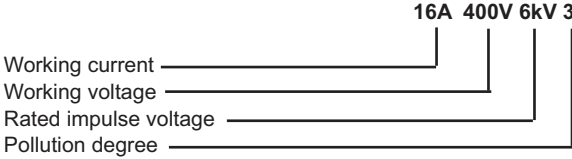



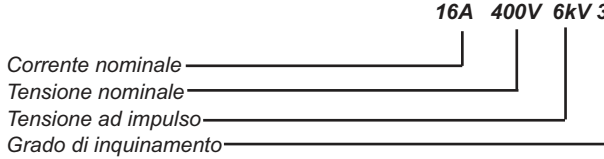
Inserts, size 1 module Inserti, grandezza 1 modulo		UL (UL)	CE (RoHS)	Numbering Numerazione	Part No. Codice			
<p>Contact carrier for female contacts Inserto porta contatti per contatti femmina</p>  <p>For stranded wires Per fili flessibili Please order contacts separately Contatti da ordinare separatamente</p>				1-7	7707.3274.0			
<p>Contact carrier for male contacts Inserto porta contatti per contatti maschio</p>  <p>For stranded wires Per fili flessibili Please order contacts separately Contatti da ordinare separatamente</p>				1-7	7707.3276.0			
40A crimp contacts, turned Contatti a crimpare da 40A, torniti				Ø mm	Stripping length Spellatura mm	Wire mm ² Fili mm ²	Wire gauge Calibro filo	Part No. Silver plated
<p>Female Femmina</p>  <p>- Material: Copper alloy Materiale: Lega di rame - Surface: Silver plated Finitura: Argentati</p>		1,75	9	1,5	16 AWG	7600.5700.0		
		2,25	9	2,5	14 AWG	7600.5701.0		
		2,85	9,6	4,0	12 AWG	7600.5702.0		
		3,5	9,6	6,0	10 AWG	7600.5703.0		
		1,75	9	1,5	16 AWG	7600.5710.0		
		2,25	9	2,5	14 AWG	7600.5711.0		
<p>Male Maschio</p> 		2,85	9,6	4,0	12 AWG	7600.5712.0		
		3,5	9,6	6,0	10 AWG	7600.5713.0		
10A crimp contacts, turned Contatti a crimpare da 10A, torniti				Stripping length Spellatura mm	Ø mm	Wire mm ² Fili mm ²	Wire gauge Calibro filo	Part No.- Codice Silver plated Gold plated
<p>Female Femmina</p> 		8	0,90	0.14 - 0.37	26-22 AWG	7100.4201.0	7100.4201.1	
		8	1,10	0,5	20 AWG	7100.4202.0	7100.4202.1	
		8	1,30	0,75	18 AWG	7100.4203.0	7100.4203.1	
		8	1,45	1,0	17 AWG	7100.4204.0	7100.4204.1	
		8	1,75	1,5	16 AWG	7100.4205.0	7100.4205.1	
<p>Male Maschio</p>  <p>- Material: Copper alloy Materiale: Lega di rame - Surface: Silver or gold plated Finitura: Argentati dorati</p>		6	2,25	2,5	14 AWG	7100.4206.0	7100.4206.1	
		8	0,90	0.14 - 0.37	26-22 AWG	7100.4211.0	7100.4211.1	
		8	1,10	0,5	20 AWG	7100.4212.0	7100.4212.1	
		8	1,30	0,75	18 AWG	7100.4213.0	7100.4213.1	
		8	1,45	1,0	17 AWG	7100.4214.0	7100.4214.1	
		8	1,75	1,5	16 AWG	7100.4215.0	7100.4215.1	
		6	2,25	2,5	14 AWG	7100.4216.0	7100.4216.1	
<p>For frame S-M series Per telai serie S-M</p>	<p>Dimensions in mm Part No. bold letters refer to standard availability. Normal letters refer to items on special request. Dimensioni in mm I codici in grassetto indicano i prodotti di normale disponibilità. Il carattere normale indica i prodotti speciali su richiesta.</p>			<p>Accessories, cable glands and tools see sections 50, 55 e 60 Accessori, pressacavi ed attrezzi vedere sezioni 50, 55 e 60</p>				


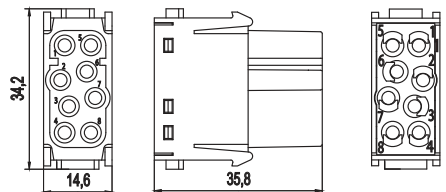

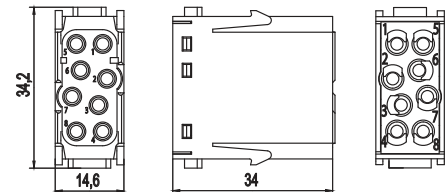

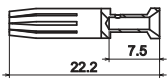

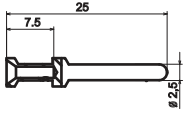
Technical characteristics	Caratteristiche tecniche
<p>Specifications: EN 60664-1 EN 61984 UL 1977 CSA C22.2 No. 182.3</p> <p>Approvals:  (UL)  </p> <p>Number of contacts: 6</p> <p>Electrical data acc. to EN 61984</p>  <p>Pollution degree 2 also: 16A 400/690V 6kV 2</p> <p>Current carrying capacity: Please refer to "Electrical engineering data" page 00.45 Load diagram: 6 modules in 24B size hoods/housings</p> <p>Power modules for big wire gauge up to 4 mm²</p> <p>Working voltage acc. to UL/CSA 600V Insulation resistance $\geq 10^{10} \Omega$ Material Polycarbonate Limiting temperatures - 40 °C ... + 125 °C Flammability acc. to UL94 V-0 Mechanical working life ≥ 500 cycles</p> <p>Contacts:</p> <p>Material : Copper alloy Surface: Silver plated Gold plated</p> <p>Contact resistance $\leq 1 \text{ m} \Omega$ Crimp terminal - mm² 0,14 ÷ 4 - AWG 26 ÷ 12 Stripping length 7,5 mm</p>	<p>Norme di riferimento: EN 60664-1 EN 61984 UL 1977 CSA C22.2 No. 182.3</p> <p>Approvazioni:  (UL)  </p> <p>Numero dei contatti: 6</p> <p>Caratteristiche elettriche secondo EN 61984</p>  <p>Con grado di inquinamento 2 16A 400/690V 6kV 2</p> <p>Portata di corrente: Vedere "Caratteristiche elettriche" pag. 00.45 Diagramma di carico: 6 moduli in custodie grandezza 24B</p> <p>Moduli di potenza per cavi fino a 4 mm²</p> <p>Tensione nominale secondo UL/CSA 600V Resistenza di isolamento $\geq 10^{10} \Omega$ Materiale Polycarbonato Limiti di temperature - 40 °C ... + 125 °C Autoestinguenza UL94 V-0 Vita meccanica ≥ 500 cicli</p> <p>Contatti:</p> <p>Materiale: Lega di rame Finitura: Argentati Dorati</p> <p>Resistenza di contatto: $\leq 1 \text{ m} \Omega$ Terminali a crimpare - mm² 0,14 ÷ 4 - AWG 26 ÷ 12 Lunghezza spellatura 7,5 mm</p>
<p>For the best performance and the lowest contact resistance, Molex recommends the use of manual tools, die sets and machines illustrated in the section 60 of this catalogue</p>	<p>Per le migliori caratteristiche e la minima resistenza di contatto, si raccomanda l'utilizzo delle pinze manuali, gli applicatori e le macchine illustrate nella sezione 60 di questo catalogo</p>
<p>According to EN61984 connectors should not be coupled and decoupled under electrical load.</p>	<p>Secondo la norma EN61984 i connettori non devono essere connessi e sconnessi sotto carico</p>

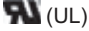


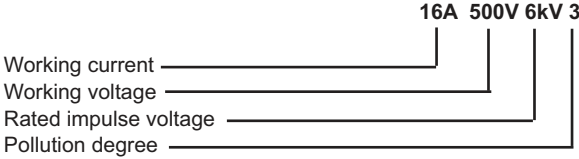
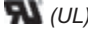


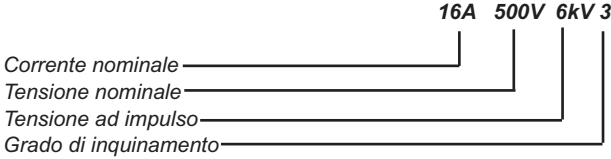
Inserts, size 1 module <i>Inserti, grandezza 1 modulo</i>		UL (UL)	CE (RoHS)	Numbering <i>Numerazione</i>	Part No. <i>Codice</i>		
<p>Contact carrier for female contacts <i>Inserto porta contatti per contatti femmina</i></p>  <p>For solid or stranded wires <i>Per fili rigidi o flessibili</i> Please order contacts separately <i>Contatti da ordinare separatamente</i></p>		1-6	7706.3327.0				
<p>Contact carrier for male contacts <i>Inserto porta contatti per contatti maschio</i></p>  <p>For solid or stranded wires <i>Per fili rigidi o flessibili</i> Please order contacts separately <i>Contatti da ordinare separatamente</i></p>		1-6	7706.3329.0				
16A crimp contacts, turned <i>Contatti a crimpare da 16A, torniti</i>		Male/Female <i>Maschio/femmina</i>	No. of grooves <i>Num. gole</i>	Wire mm ² <i>Fili mm²</i>	Wire gauge <i>Calibro filo</i>	Part No.- <i>Codice</i>	
<p>Female contacts <i>Contatti femmina</i></p>   <p>Material : Copper alloy <i>Materiale: Lega di rame</i> Surface: Silver or gold plated <i>Finitura: Argentati o dorati</i> Stripping length: 7,5 mm <i>Lunghezza di spellatura: 7,5 mm</i> Identification: By grooves <i>Identificazione: Tramite gole</i></p>		F	0	0.14 - 0.37	26-22 AWG	7300.6240.0	7300.6240.1
		F	0	0.5	20 AWG	7300.6241.0	7300.6241.1
<p>Male contacts <i>Contatti maschio</i></p>  		F	1	0.75	18 AWG	7300.6239.0	7300.6239.1
		F	1	1.0	18 AWG	7300.6242.0	7300.6242.1
		F	2	1.5	16 AWG	7300.6243.0	7300.6243.1
		F	2	2.5	14 AWG	7300.6244.0	7300.6244.1
		F	1 wide	3.0	12 AWG	7300.6238.0	7300.6238.1
		F	0	4.0	12 AWG	7300.6245.0	7300.6245.1
		M	0	0.14 - 0.37	26-22 AWG	7300.6237.0	7300.6237.1
		M	0	0.5	20 AWG	7300.6246.0	7300.6246.1
		M	1	0.75	18 AWG	7300.6236.0	7300.6236.1
		M	1	1.0	18 AWG	7300.6247.0	7300.6247.1
M	2	1.5	16 AWG	7300.6248.0	7300.6248.1		
M	2	2.5	14 AWG	7300.6249.0	7300.6249.1		
M	1 wide	3.0	12 AWG	7300.6235.0	7300.6235.1		
M	0	4.0	12 AWG	7300.6250.0	7300.6250.1		
For frame S-M series <i>Per telai serie S-M</i>	<p>Dimensions in mm Part No. bold letters refer to standard availability. Normal letters refer to items on special request. <i>Dimensioni in mm I codici in grassetto indicano i prodotti di normale disponibilità. Il carattere normale indica i prodotti speciali su richiesta.</i></p>			<p>Accessories, cable glands and tools see sections 50, 55 e 60 <i>Accessori, pressacavi ed attrezzi vedere sezioni 50, 55 e 60</i></p>			





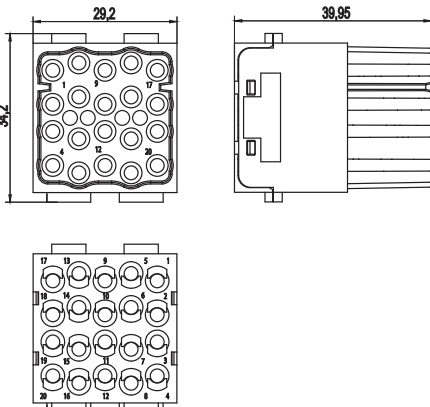

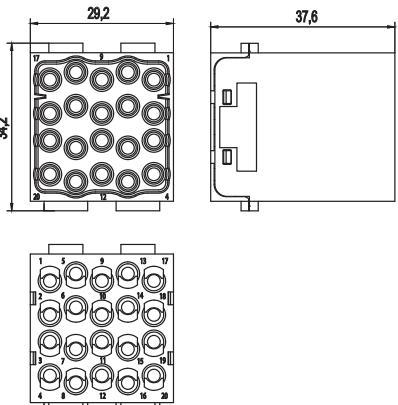
Technical characteristics	Caratteristiche tecniche
<p>Specifications: EN 60664-1 EN 61984 UL 1977 CSA C22.2 No. 182.3</p> <p>Approvals:  (UL)  </p> <p>Number of contacts: 6</p> <p>Electrical data acc. to EN 61984</p> <div style="text-align: center;"> <p>16A 830V 8kV 3</p>  </div> <p>Current carrying capacity: Please refer to "Electrical engineering data" page 00.45 Load diagram: 6 modules in 24B size hoods/housings</p> <p>Power modules for big wire gauge up to 4 mm²</p> <p>Working voltage acc. to UL/CSA 600V Insulation resistance $\geq 10^{10} \Omega$ Material Polycarbonate Limiting temperatures - 40 °C ... + 125 °C Flammability acc. to UL94 V-0 Mechanical working life ≥ 500 cycles</p> <p>Contacts:</p> <p>Material : Copper alloy Surface: Silver plated Gold plated</p> <p>Contact resistance $\leq 1 \text{ m} \Omega$ Crimp terminal - mm² 0,14 ÷ 4 - AWG 26 ÷ 12 Stripping length 7,5 mm</p> <p>Safety: Finger safe male and female contacts IP2X or IPXXB In accordance with EN 60204-1 Safety of machinery-Electrical equipment of machines, point 6.2.4: Protection against residual voltage.</p>	<p>Norme di riferimento: EN 60664-1 EN 61984 UL 1977 CSA C22.2 No. 182.3</p> <p>Approvazioni:  (UL)  </p> <p>Numero dei contatti: 6</p> <p>Caratteristiche elettriche secondo EN 61984</p> <div style="text-align: center;"> <p>16A 830V 8kV 3</p>  </div> <p>Portata di corrente: Vedere "Caratteristiche elettriche" pag. 00.45 Diagramma di carico: 6 moduli in custodie grandezza 24B</p> <p>Moduli di potenza per cavi fino a 4 mm²</p> <p>Tensione nominale secondo UL/CSA 600V Resistenza di isolamento $\geq 10^{10} \Omega$ Materiale Polycarbonate Limiti di temperature - 40 °C ... + 125 °C Autoestinguenza UL94 V-0 Vita meccanica ≥ 500 cicli</p> <p>Contatti:</p> <p>Materiale: Lega di rame Finitura: Argentati Dorati</p> <p>Resistenza di contatto: $\leq 1 \text{ m} \Omega$ Terminali a crimpare - mm² 0,14 ÷ 4 - AWG 26 ÷ 12 Lunghezza spellatura 7,5 mm</p> <p>Sicurezza: Contatti maschio e femmina protetti a prova di contatto con le dita IP2X o IPXXB Conforme alla Norma EN 60204-1 - Sicurezza del macchinario - Equipaggiamento elettrico delle macchine-punto 6.2.4: Protezione contro le tensioni residue.</p>
<p>For the best performance and the lowest contact resistance, Molex recommends the use of manual tools, die sets and machines illustrated in the section 60 of this catalogue</p>	<p>Per le migliori caratteristiche e la minima resistenza di contatto, si raccomanda l'utilizzo delle pinze manuali, gli applicatori e le macchine illustrate nella sezione 60 di questo catalogo</p>
<p>According to EN61984 connectors should not be coupled and decoupled under electrical load.</p>	<p>Secondo la norma EN61984 i connettori non devono essere connessi e sconnessi sotto carico</p>


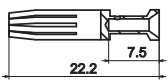

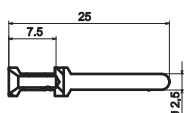
Inserts, size 1 module <i>Inserti, grandezza 1 modulo</i>		UL (UL)	CE (RoHS)	Numbering <i>Numerazione</i>	Part No. <i>Codice</i>		
<p>Contact carrier for female contacts <i>Inserto porta contatti per contatti femmina</i></p>  <p>For solid or stranded wires <i>Per fili rigidi o flessibili</i> Please order contacts separately <i>Contatti da ordinare separatamente</i></p>				1-6	7706.3336.0		
<p>Contact carrier for male contacts <i>Inserto porta contatti per contatti maschio</i></p>  <p>For solid or stranded wires <i>Per fili rigidi o flessibili</i> Please order contacts separately <i>Contatti da ordinare separatamente</i></p>				1-6	7706.3338.0		
16A crimp contacts, turned <i>Contatti a crimpare da 16A, torniti</i>		Male/Female <i>Maschio/femmina</i>	No. of grooves <i>Num. gole</i>	Wire mm ² <i>Fili mm²</i>	Wire gauge <i>Calibro filo</i>	Part No.- <i>Codice</i>	
						Silver plated	Gold plated
<p>Female contacts <i>Contatti femmina</i></p>   <p>Material : Copper alloy <i>Materiale: Lega di rame</i> Surface: Silver or gold plated <i>Finitura: Argentati o dorati</i> Stripping length: 7,5 mm <i>Lunghezza di spellatura: 7,5 mm</i> Identification: By grooves <i>Identificazione: Tramite gole</i></p>		F	0	0.14 - 0.37	26-22 AWG	7300.6240.0	7300.6240.1
		F	0	0.5	20 AWG	7300.6241.0	7300.6241.1
		F	1	0.75	18 AWG	7300.6239.0	7300.6239.1
		F	1	1.0	18 AWG	7300.6242.0	7300.6242.1
		F	2	1.5	16 AWG	7300.6243.0	7300.6243.1
		F	2	2.5	14 AWG	7300.6244.0	7300.6244.1
		F	1 wide	3.0	12 AWG	7300.6238.0	7300.6238.1
		F	0	4.0	12 AWG	7300.6245.0	7300.6245.1
		M	0	0.14 - 0.37	26-22 AWG	7300.6237.0	7300.6237.1
		M	0	0.5	20 AWG	7300.6246.0	7300.6246.1
		M	1	0.75	18 AWG	7300.6236.0	7300.6236.1
		M	1	1.0	18 AWG	7300.6247.0	7300.6247.1
		M	2	1.5	16 AWG	7300.6248.0	7300.6248.1
		M	2	2.5	14 AWG	7300.6249.0	7300.6249.1
		M	1 wide	3.0	12 AWG	7300.6235.0	7300.6235.1
		M	0	4.0	12 AWG	7300.6250.0	7300.6250.1
<p>Male contacts <i>Contatti maschio</i></p>  	<p>Dimensions in mm Part No. bold letters refer to standard availability. Normal letters refer to items on special request. <i>Dimensioni in mm I codici in grassetto indicano i prodotti di normale disponibilità. Il carattere normale indica i prodotti speciali su richiesta.</i></p>		<p>Accessories, cable glands and tools see sections 50, 55 e 60 <i>Accessori, pressacavi ed attrezzi vedere sezioni 50, 55 e 60</i></p>				
<p>For frame S-M series <i>Per telai serie S-M</i></p>							

Technical characteristics	Caratteristiche tecniche
<p>Specifications: EN 60664-1 EN 61984 UL 1977 CSA C22.2 No. 182.3</p> <p>Approvals:  (UL)  </p> <p>Number of contacts: 8</p> <p>Electrical data acc. to EN 61984</p>  <p>Pollution degree 2 also: 16A 400/690V 6kV 2</p> <p>Current carrying capacity: Please refer to "Electrical engineering data" page 00.45 Load diagram: 6 modules in 24B size hoods/housings</p> <p>Power modules for big wire gauge up to 4 mm²</p> <p>Working voltage acc. to UL/CSA 600V Insulation resistance $\geq 10^{10} \Omega$ Material Polycarbonate Limiting temperatures - 40 °C ... + 125 °C Flammability acc. to UL94 V-0 Mechanical working life ≥ 500 cycles</p> <p>Contacts:</p> <p>Material : Copper alloy Surface: Silver plated Gold plated</p> <p>Contact resistance $\leq 1 \text{ m} \Omega$ Crimp terminal - mm² 0,14 ÷ 4 - AWG 26 ÷ 12 Stripping length 7,5 mm</p>	<p>Norme di riferimento: EN 60664-1 EN 61984 UL 1977 CSA C22.2 No. 182.3</p> <p>Approvazioni:  (UL)  </p> <p>Numero dei contatti: 8</p> <p>Caratteristiche elettriche secondo EN 61984</p>  <p>Con grado di inquinamento 2 16A 400/690V 6kV 2</p> <p>Portata di corrente: Vedere "Caratteristiche elettriche" pag. 00.45 Diagramma di carico: 6 moduli in custodia grandezza 24B</p> <p>Moduli di potenza per cavi fino a 4 mm²</p> <p>Tensione nominale secondo UL/CSA 600V Resistenza di isolamento $\geq 10^{10} \Omega$ Materiale Polycarbonato Limiti di temperatura - 40 °C ... + 125 °C Autoestinguenza UL94 V-0 Vita meccanica ≥ 500 cicli</p> <p>Contatti:</p> <p>Materiale: Lega di rame Finitura: Argentati Dorati</p> <p>Resistenza di contatto: $\leq 1 \text{ m} \Omega$ Terminali a crimpare - mm² 0,14 ÷ 4 - AWG 26 ÷ 12 Lunghezza spellatura 7,5 mm</p>
<p>For the best performance and the lowest contact resistance, Molex recommends the use of manual tools, die sets and machines illustrated in the section 60 of this catalogue</p>	<p>Per le migliori caratteristiche e la minima resistenza di contatto, si raccomanda l'utilizzo delle pinze manuali, gli applicatori e le macchine illustrate nella sezione 60 di questo catalogo</p>
<p>According to EN61984 connectors should not be coupled and decoupled under electrical load.</p>	<p>Secondo la norma EN61984 i connettori non devono essere connessi e sconnessi sotto carico</p>

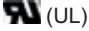


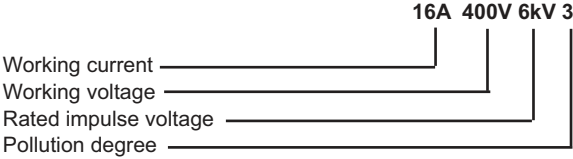
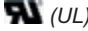


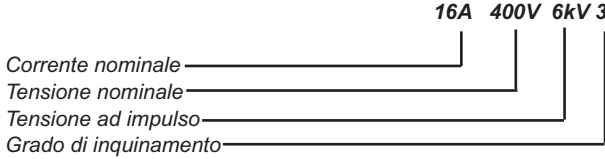
Inserts, size 1 module <i>Inserti, grandezza 1 modulo</i>		UL (UL)	CE (RoHS)	Numbering <i>Numerazione</i>	Part No. <i>Codice</i>		
<p>Contact carrier for female contacts <i>Inserto porta contatti per contatti femmina</i></p>  <p>For solid or stranded wires <i>Per fili rigidi o flessibili</i> Please order contacts separately <i>Contatti da ordinare separatamente</i></p>		1-8	7708.3344.0				
<p>Contact carrier for male contacts <i>Inserto porta contatti per contatti maschio</i></p>  <p>For solid or stranded wires <i>Per fili rigidi o flessibili</i> Please order contacts separately <i>Contatti da ordinare separatamente</i></p>		1-8	7708.3346.0				
16A crimp contacts, turned <i>Contatti a crimpare da 16A, torniti</i>		Male/Female <i>Maschio/femmina</i>	No. of grooves <i>Num. gole</i>	Wire mm ² <i>Fili mm²</i>	Wire gauge <i>Calibro filo</i>	Part No.- <i>Codice</i>	
						Silver plated	Gold plated
<p>Female contacts <i>Contatti femmina</i></p>   <p>Material : Copper alloy <i>Materiale: Lega di rame</i> Surface: Silver or gold plated <i>Finitura: Argentati o dorati</i> Stripping length: 7,5 mm <i>Lunghezza di spellatura: 7,5 mm</i> Identification: By grooves <i>Identificazione: Tramite gole</i></p>	F	0	0.14 - 0.37	26-22 AWG	7300.6240.0	7300.6240.1	
	F	0	0.5	20 AWG	7300.6241.0	7300.6241.1	
	F	1	0.75	18 AWG	7300.6239.0	7300.6239.1	
	F	1	1.0	18 AWG	7300.6242.0	7300.6242.1	
	F	2	1.5	16 AWG	7300.6243.0	7300.6243.1	
	F	2	2.5	14 AWG	7300.6244.0	7300.6244.1	
	F	1 wide	3.0	12 AWG	7300.6238.0	7300.6238.1	
	F	0	4.0	12 AWG	7300.6245.0	7300.6245.1	
	<p>Male contacts <i>Contatti maschio</i></p>  	M	0	0.14 - 0.37	26-22 AWG	7300.6237.0	7300.6237.1
		M	0	0.5	20 AWG	7300.6246.0	7300.6246.1
M		1	0.75	18 AWG	7300.6236.0	7300.6236.1	
M		1	1.0	18 AWG	7300.6247.0	7300.6247.1	
M		2	1.5	16 AWG	7300.6248.0	7300.6248.1	
M		2	2.5	14 AWG	7300.6249.0	7300.6249.1	
M		1 wide	3.0	12 AWG	7300.6235.0	7300.6235.1	
M		0	4.0	12 AWG	7300.6250.0	7300.6250.1	
For frame S-M series <i>Per telai serie S-M</i>	<p>Dimensions in mm Part No. bold letters refer to standard availability. Normal letters refer to items on special request. <i>Dimensioni in mm I codici in grassetto indicano i prodotti di normale disponibilità. Il carattere normale indica i prodotti speciali su richiesta.</i></p>			<p>Accessories, cable glands and tools see sections 50, 55 e 60 <i>Accessori, pressacavi ed attrezzi vedere sezioni 50, 55 e 60</i></p>			


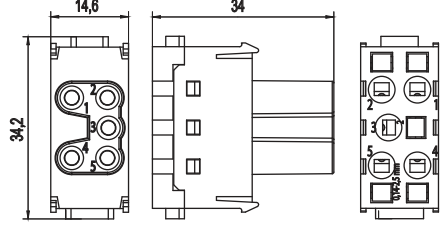

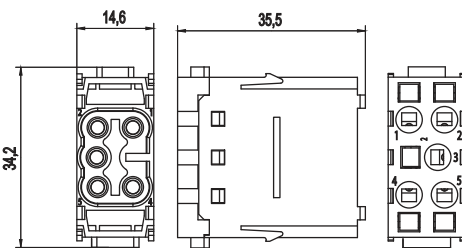

Technical characteristics	Caratteristiche tecniche
<p>Specifications: EN 60664-1 EN 61984 UL 1977 CSA C22.2 No. 182.3</p> <p>Approvals:  (UL)  </p> <p>Number of contacts: 20</p> <p>Electrical data acc. to EN 61984</p>  <p>Pollution degree 2 also: 16A 830V 8kV 2</p> <p>Current carrying capacity: Please refer to "Electrical engineering data" page 00.45 Load diagram: 3 modules in 24B size hoods/housings</p> <p>Power modules for big wire gauge up to 4 mm²</p> <p>Working voltage acc. to UL/CSA 600V Insulation resistance $\geq 10^{10} \Omega$ Material Polycarbonate Limiting temperatures - 40 °C ... + 125 °C Flammability acc. to UL94 V-0 Mechanical working life ≥ 500 cycles</p> <p>Contacts:</p> <p>Material : Copper alloy Surface: Silver plated Gold plated</p> <p>Contact resistance $\leq 1 \text{ m} \Omega$ Crimp terminal - mm² 0,14 ÷ 4 - AWG 26 ÷ 12 Stripping length 7,5 mm</p>	<p>Norme di riferimento: EN 60664-1 EN 61984 UL 1977 CSA C22.2 No. 182.3</p> <p>Approvazioni:  (UL)  </p> <p>Numero dei contatti: 20</p> <p>Caratteristiche elettriche secondo EN 61984</p>  <p>Con grado di inquinamento 2 16A 830V 8kV 2</p> <p>Portata di corrente: Vedere "Caratteristiche elettriche" pag. 00.45 Diagramma di carico: 3 moduli in custodie grandezza 24B</p> <p>Moduli di potenza per cavi fino a 4 mm²</p> <p>Tensione nominale secondo UL/CSA 600V Resistenza di isolamento $\geq 10^{10} \Omega$ Materiale Polycarbonate Limiti di temperature - 40 °C ... + 125 °C Autoestinguenza UL94 V-0 Vita meccanica ≥ 500 cicli</p> <p>Contatti:</p> <p>Materiale: Lega di rame Finitura: Argentati Dorati</p> <p>Resistenza di contatto: $\leq 1 \text{ m} \Omega$ Terminali a crimpare - mm² 0,14 ÷ 4 - AWG 26 ÷ 12 Lunghezza spellatura 7,5 mm</p>
<p>For the best performance and the lowest contact resistance, Molex recommends the use of manual tools, die sets and machines illustrated in the section 60 of this catalogue</p>	<p>Per le migliori caratteristiche e la minima resistenza di contatto, si raccomanda l'utilizzo delle pinze manuali, gli applicatori e le macchine illustrate nella sezione 60 di questo catalogo</p>
<p>According to EN61984 connectors should not be coupled and decoupled under electrical load.</p>	<p>Secondo la norma EN61984 i connettori non devono essere connessi e sconnessi sotto carico</p>




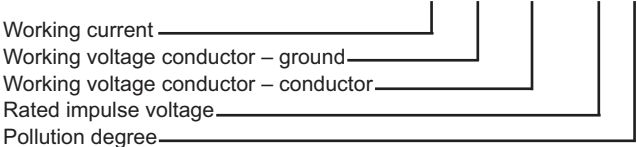



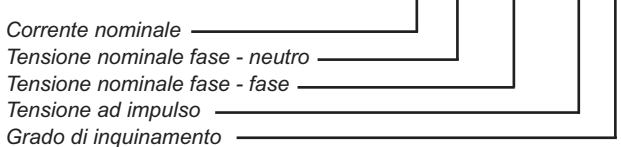
Inserts, size 2 modules Inserti, grandezza 2 moduli	 (UL)  	Numbering Numerazione	Part No. Codice
<p> Contact carrier for female contacts Inserto porta contatti per contatti femmina </p>  <p> For solid or stranded wires Per fili rigidi o flessibili Please order contacts separately Contatti da ordinare separatamente </p>		1-20	7720.3354.0
<p> Contact carrier for male contacts Inserto porta contatti per contatti maschio </p>  <p> For solid or stranded wires Per fili rigidi o flessibili Please order contacts separately Contatti da ordinare separatamente </p>		1-20	7720.3356.0


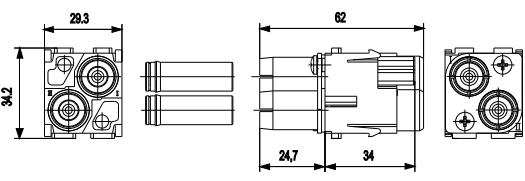

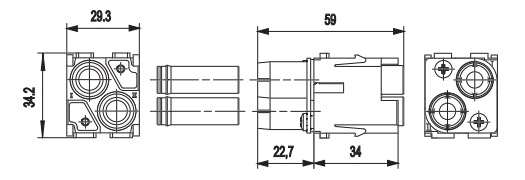

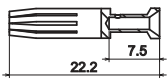

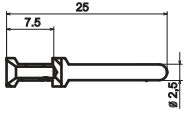
16A crimp contacts, turned Contatti a crimpare da 16A, torniti	Male/Female Maschio/ femmina	No. of grooves Num. gole	Wire mm ² Fili mm ²	Wire gauge Calibro filo	Part No.- Codice	
					Silver plated	Gold plated
<p> Female contacts Contatti femmina </p>   <p> Material : Materiale: Surface: Finitura: Stripping length: Lunghezza di spellatura: Identification: Identificazione: </p> <p> Copper alloy Lega di rame Silver or gold plated Argentati o dorati 7,5 mm 7,5 mm By grooves Tramite gole </p>   <p> Male contacts Contatti maschio </p>	F	0	0.14 - 0.37	26-22 AWG	7300.6240.0	7300.6240.1
	F	0	0.5	20 AWG	7300.6241.0	7300.6241.1
	F	1	0.75	18 AWG	7300.6239.0	7300.6239.1
	F	1	1.0	18 AWG	7300.6242.0	7300.6242.1
	F	2	1.5	16 AWG	7300.6243.0	7300.6243.1
	F	2	2.5	14 AWG	7300.6244.0	7300.6244.1
	F	1 wide	3.0	12 AWG	7300.6238.0	7300.6238.1
	F	0	4.0	12 AWG	7300.6245.0	7300.6245.1
	M	0	0.14 - 0.37	26-22 AWG	7300.6237.0	7300.6237.1
	M	0	0.5	20 AWG	7300.6246.0	7300.6246.1
	M	1	0.75	18 AWG	7300.6236.0	7300.6236.1
	M	1	1.0	18 AWG	7300.6247.0	7300.6247.1
	M	2	1.5	16 AWG	7300.6248.0	7300.6248.1
	M	2	2.5	14 AWG	7300.6249.0	7300.6249.1
	M	1 wide	3.0	12 AWG	7300.6235.0	7300.6235.1
	M	0	4.0	12 AWG	7300.6250.0	7300.6250.1

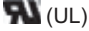


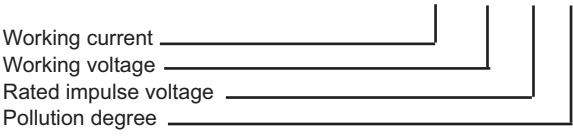
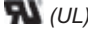


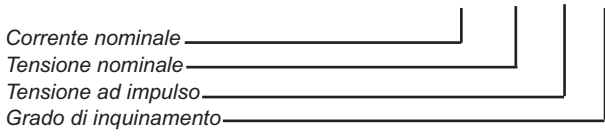
<p> For frame S-M series Per telai serie S-M </p>	<p> Dimensions in mm Part No. bold letters refer to standard availability. Normal letters refer to items on special request. Dimensioni in mm I codici in grassetto indicano i prodotti di normale disponibilità. Il carattere normale indica i prodotti speciali su richiesta. </p>	<p> Accessories, cable glands and tools see sections 50, 55 e 60 Accessori, pressacavi ed attrezzi vedere sezioni 50, 55 e 60 </p>
--	---	---


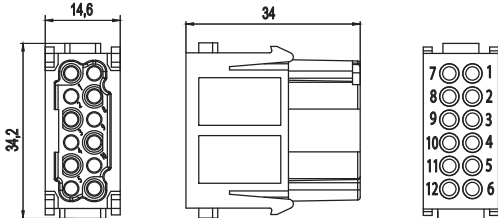

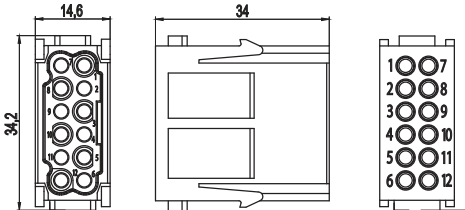


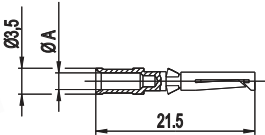
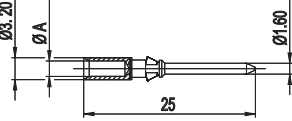
Technical characteristics	Caratteristiche tecniche
<p>Specifications: EN 60664-1 EN 61984 UL 1977 CSA C22.2 No. 182.3</p> <p>Approvals:  (UL)  </p> <p>Number of contacts: 5</p> <p>Electrical data acc. to EN 61984</p>  <p>Pollution degree 2 also: 16A 500V 6kV 2</p> <p>Current carrying capacity: Please refer to "Electrical engineering data" page 00.46 Load diagram: 6 modules in 24B size hoods/housings</p> <p>Working voltage acc. to UL/CSA 600V Insulation resistance $\geq 10^{10} \Omega$ Material Polycarbonate Limiting temperatures - 40 °C ... + 125 °C Flammability acc. to UL94 V-0 Mechanical working life ≥ 500 cycles</p> <p>Contacts:</p> <p>Material : Copper alloy Surface: Silver plated Gold plated</p> <p>Contact resistance $\leq 3 \text{ m} \Omega$ Crimp terminal - mm² 0,14 ÷ 2.5 - AWG 26 ÷ 14 Stripping length 9 mm</p> <p style="color: red; text-align: center;">According to EN61984 connectors should not be coupled and decoupled under electrical load.</p>	<p>Norme di riferimento: EN 60664-1 EN 61984 UL 1977 CSA C22.2 No. 182.3</p> <p>Approvazioni:  (UL)  </p> <p>Numero dei contatti: 5</p> <p>Caratteristiche elettriche secondo EN 61984</p>  <p>Con grado di inquinamento 2 16A 500V 6kV 2</p> <p>Portata di corrente: Vedere "Caratteristiche elettriche" pag. 00.46 Diagramma di carico: 6 moduli in custodia grandezza 24B</p> <p>Tensione nominale secondo UL/CSA 600V Resistenza di isolamento $\geq 10^{10} \Omega$ Materiale Polycarbonate Limiti di temperatura - 40 °C ... + 125 °C Autoestinguenza UL94 V-0 Vita meccanica ≥ 500 cicli</p> <p>Contatti:</p> <p>Materiale: Lega di rame Finitura: Argentati Dorati</p> <p>Resistenza di contatto: $\leq 3 \text{ m} \Omega$ Terminali a crimpare - mm² 0,14 ÷ 2.5 - AWG 26 ÷ 14 Lunghezza spellatura 9 mm</p> <p style="color: red; text-align: center;">Secondo la norma EN61984 i connettori non devono essere connessi e sconnessi sotto carico</p>

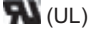


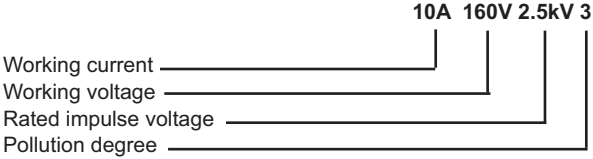
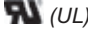


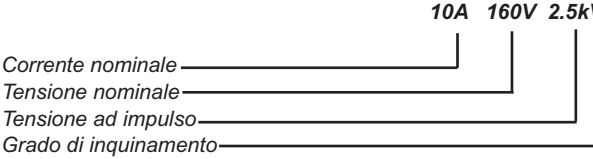
Inserts, size 1 module <i>Inserti, grandezza 1 modulo</i>		UL (UL)	CE (RoHS)	Numbering <i>Numerazione</i>	Part No. <i>Codice</i>
<p>Female insert <i>Inserto femmina</i></p>  <p>For solid or stranded wires <i>Per fili rigidi o flessibili</i></p>		1-5	7705.3360.0		
<p>Male insert <i>Inserto maschio</i></p>  <p>For solid or stranded wires <i>Per fili rigidi o flessibili</i></p>		1-5	7705.3362.0		
	<p>Wire insertion tool 0,4 x 2,5 mm screwdriver <i>Utensile inseritore cacciavite 0,4 x 2,5 mm</i></p>	8500.7979.0			
<p>For frame S-M series <i>Per telai serie S-M</i></p>	<p>Dimensions in mm Part No. bold letters refer to standard availability. Normal letters refer to items on special request. <i>Dimensioni in mm I codici in grassetto indicano i prodotti di normale disponibilità. Il carattere normale indica i prodotti speciali su richiesta.</i></p>	<p>Accessories, cable glands and tools see sections 50, 55 e 60 <i>Accessori, pressacavi ed attrezzi vedere sezioni 50, 55 e 60</i></p>			

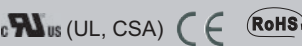

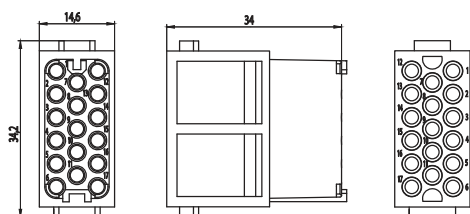

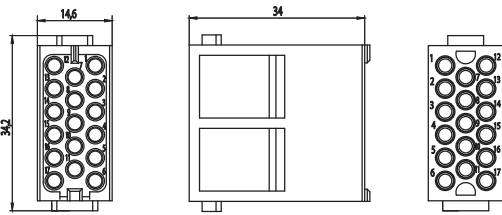


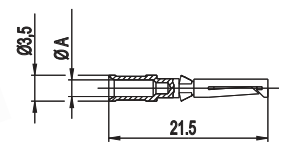
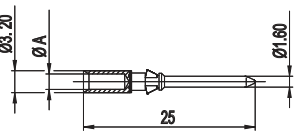
Technical characteristics	Caratteristiche tecniche
<p>Specifications: EN 60664-1 EN 61984 EN 50152-1 VDE 0115</p> <p>Approvals:    (UL)</p> <p>Number of contacts: 2</p> <p>Electrical data acc. to EN 61984</p> <div style="text-align: center;"> <p>16A 2900/5000V 15kV 3</p>  </div> <p>Current carrying capacity: Please refer to "Electrical engineering data" page 00.46 Load diagram: 1 modules in 16B size hoods/housings</p> <p>Insulation resistance $\geq 10^{10} \Omega$ Material Polycarbonate/Teflon (PTFE) Limiting temperatures - 40 °C ... + 125 °C Flammability acc. to UL94 V-0 Mechanical working life ≥ 500 cycles</p> <p>Contacts:</p> <p>Material : Copper alloy Surface: Silver plated Gold plated</p> <p>Contact resistance $\leq 1 \text{ m} \Omega$ Crimp terminal - mm² 0,14 ÷ 4 - AWG 26 ÷ 12 Stripping length 7,5 mm</p>	<p>Norme di riferimento: EN 60664-1 EN 61984 EN 50152-1 VDE 0115</p> <p>Approvazioni:    (UL)</p> <p>Numero dei contatti: 2</p> <p>Caratteristiche elettriche secondo EN 61984</p> <div style="text-align: center;"> <p>16A 2900/5000V 15kV 3</p>  </div> <p>Portata di corrente: Vedere "Caratteristiche elettriche" pag. 00.46 Diagramma di carico: 1 moduli in custodie grandezza 16B</p> <p>Resistenza di isolamento $\geq 10^{10} \Omega$ Materiale Policarbonato/Teflon (PTFE) Limiti di temperature - 40 °C ... + 125 °C Autoestinguenza UL94 V-0 Vita meccanica ≥ 500 cicli</p> <p>Contatti:</p> <p>Materiale: Lega di rame Finitura: Argentati Dorati</p> <p>Resistenza di contatto: $\leq 1 \text{ m} \Omega$ Terminali a crimpare - mm² 0,14 ÷ 4 - AWG 26 ÷ 12 Lunghezza spellatura 7,5 mm</p>
<p>For the best performance and the lowest contact resistance, Molex recommends the use of manual tools, die sets and machines illustrated in the section 60 of this catalogue</p>	<p>Per le migliori caratteristiche e la minima resistenza di contatto, si raccomanda l'utilizzo delle pinze manuali, gli applicatori e le macchine illustrate nella sezione 60 di questo catalogo</p>
<p>According to EN61984 connectors should not be coupled and decoupled under electrical load.</p>	<p>Secondo la norma EN61984 i connettori non devono essere connessi e sconnessi sotto carico</p>

Inserts, size 2 modules <i>Inserti, grandezza 2 moduli</i>		CE	RoHS	Numbering <i>Numerazione</i>	Part No. <i>Codice</i>		
<p>Contact carrier for female contacts <i>Inserto porta contatti per contatti femmina</i></p>  <p>For stranded wires <i>Per fili flessibili</i> Please order contacts separately <i>Contatti da ordinare separatamente</i></p>		1-2	7702.3390.0				
<p>Contact carrier for male contacts <i>Inserto porta contatti per contatti maschio</i></p>  <p>For stranded wires <i>Per fili flessibili</i> Please order contacts separately <i>Contatti da ordinare separatamente</i></p>		1-2	7702.3392.0				
16A crimp contacts, turned <i>Contatti a crimpare da 16A, torniti</i>		Male/Female <i>Maschio/femmina</i>	No. of grooves <i>Num. gole</i>	Wire mm ² <i>Fili mm²</i>	Wire gauge <i>Calibro filo</i>	Part No.- <i>Codice</i>	
<p>Female contacts <i>Contatti femmina</i></p>   <p>Material : Copper alloy <i>Materiale: Lega di rame</i> Surface: Silver or gold plated <i>Finitura: Argentati o dorati</i> Stripping length: 7,5 mm <i>Lunghezza di spellatura: 7,5 mm</i> Identification: By grooves <i>Identificazione: Tramite gole</i></p>		F	0	0.14 - 0.37	26-22 AWG	7300.6240.0	7300.6240.1
		F	0	0.5	20 AWG	7300.6241.0	7300.6241.1
		F	1	0.75	18 AWG	7300.6239.0	7300.6239.1
		F	1	1.0	18 AWG	7300.6242.0	7300.6242.1
		F	2	1.5	16 AWG	7300.6243.0	7300.6243.1
		F	2	2.5	14 AWG	7300.6244.0	7300.6244.1
		F	1 wide	3.0	12 AWG	7300.6238.0	7300.6238.1
		F	0	4.0	12 AWG	7300.6245.0	7300.6245.1
		M	0	0.14 - 0.37	26-22 AWG	7300.6237.0	7300.6237.1
		M	0	0.5	20 AWG	7300.6246.0	7300.6246.1
		M	1	0.75	18 AWG	7300.6236.0	7300.6236.1
		M	1	1.0	18 AWG	7300.6247.0	7300.6247.1
		M	2	1.5	16 AWG	7300.6248.0	7300.6248.1
		M	2	2.5	14 AWG	7300.6249.0	7300.6249.1
		M	1 wide	3.0	12 AWG	7300.6235.0	7300.6235.1
		M	0	4.0	12 AWG	7300.6250.0	7300.6250.1
<p>Male contacts <i>Contatti maschio</i></p>  	<p>For frame S-M series <i>Per telai serie S-M</i></p>		<p>Dimensions in mm Part No. bold letters refer to standard availability. Normal letters refer to items on special request. <i>Dimensioni in mm I codici in grassetto indicano i prodotti di normale disponibilità. Il carattere normale indica i prodotti speciali su richiesta.</i></p>		<p>Accessories, cable glands and tools see sections 50, 55 e 60 <i>Accessori, pressacavi ed attrezzi vedere sezioni 50, 55 e 60</i></p>		


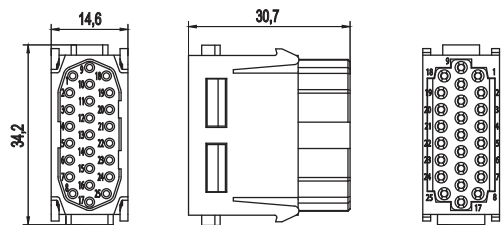

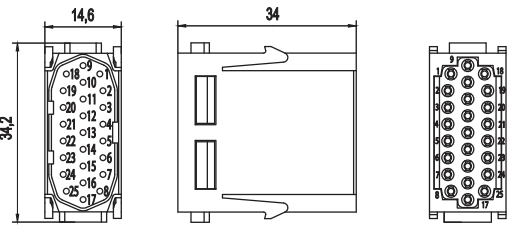
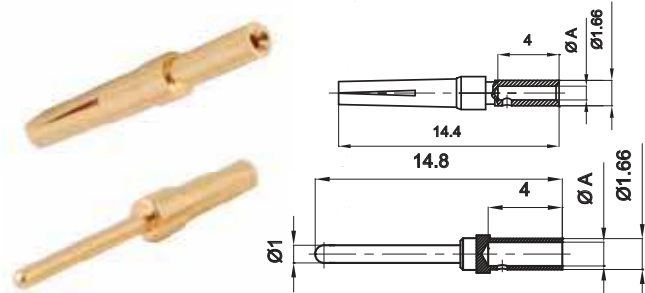
Technical characteristics	Caratteristiche tecniche
<p>Specifications: EN 60664-1 EN 61984 UL 1977 CSA C22.2 No. 182.3</p> <p>Approvals:  (UL)  </p> <p>Number of contacts: 12</p> <p>Electrical data acc. to EN 61984</p> <div style="text-align: right; margin-bottom: 10px;">10A 250V 4kV 3</div>  <p>Current carrying capacity: Please refer to "Electrical engineering data" page 00.46 Load diagram: 6 modules in 24B size hoods/housings</p> <p>Working voltage acc. to UL/CSA 600V Insulation resistance $\geq 10^{10} \Omega$ Material Polycarbonate Limiting temperatures - 40 °C ... + 125 °C Flammability acc. to UL94 V-0 Mechanical working life ≥ 500 cycles</p> <p>Contacts:</p> <p>Material : Copper alloy Surface: Silver plated Gold plated</p> <p>Contact resistance $\leq 3 \text{ m} \Omega$ Crimp terminal - mm² 0,14 ÷ 2.5 - AWG 26 ÷ 14 Stripping length See table page 12.42</p>	<p>Norme di riferimento: EN 60664-1 EN 61984 UL 1977 CSA C22.2 No. 182.3</p> <p>Approvazioni:  (UL)  </p> <p>Numero dei contatti: 12</p> <p>Caratteristiche elettriche secondo EN 61984</p> <div style="text-align: right; margin-bottom: 10px;">10A 250V 4kV 3</div>  <p>Portata di corrente: Vedere "Caratteristiche elettriche" pag. 00.46 Diagramma di carico: 6 moduli in custodie grandezza 24B</p> <p>Tensione nominale secondo UL/CSA 600V Resistenza di isolamento $\geq 10^{10} \Omega$ Materiale Policarbonato Limiti di temperatura - 40 °C ... + 125 °C Autoestinguenza UL94 V-0 Vita meccanica ≥ 500 cicli</p> <p>Contatti:</p> <p>Materiale: Lega di rame Finitura: Argentati Dorati</p> <p>Resistenza di contatto: $\leq 3 \text{ m} \Omega$ Terminali a crimpare - mm² 0,14 ÷ 2.5 - AWG 26 ÷ 14 Lunghezza spellatura Vedere tabella di pag.12.42</p>
<p>For the best performance and the lowest contact resistance, Molex recommends the use of manual tools, die sets and machines illustrated in the section 60 of this catalogue</p>	<p>Per le migliori caratteristiche e la minima resistenza di contatto, si raccomanda l'utilizzo delle pinze manuali, gli applicatori e le macchine illustrate nella sezione 60 di questo catalogo</p>
<p style="text-align: center;">According to EN61984 connectors should not be coupled and decoupled under electrical load.</p>	<p style="text-align: center;">Secondo la norma EN61984 i connettori non devono essere connessi e sconnessi sotto carico</p>

Inserts, size 1 module <i>Inserti, grandezza 1 modulo</i>		UL (UL)	CE (RoHS)	Numbering <i>Numerazione</i>	Part No. <i>Codice</i>		
<p>Contact carrier for female contacts <i>Inserto porta contatti per contatti femmina</i></p>  <p>For stranded wires <i>Per fili flessibili</i> Please order contacts separately <i>Contatti da ordinare separatamente</i></p>		1-12	7712.3420.0				
<p>Contact carrier for male contacts <i>Inserto porta contatti per contatti maschio</i></p>  <p>For stranded wires <i>Per fili flessibili</i> Please order contacts separately <i>Contatti da ordinare separatamente</i></p>		1-12	7712.3422.0				
10A crimp contacts, turned <i>Contatti a crimpare da 10A, torniti</i>		Stripping length <i>Spellatura mm</i>	Ø A mm	Wire mm ² <i>Fili mm²</i>	Wire gauge <i>Calibro filo</i>	Part No.- <i>Codice</i>	
<p>Female <i>Femmina</i></p>  <p>Male <i>Maschio</i></p>  <p>- Material: Copper alloy <i>Materiale: Lega di rame</i> - Surface: Silver or gold plated <i>Finitura: Argentati dorati</i></p>		8	0,90	0.14 - 0.37	26-22 AWG	7100.4201.0	7100.4201.1
		8	1,10	0.5	20 AWG	7100.4202.0	7100.4202.1
		8	1,30	0.75	18 AWG	7100.4203.0	7100.4203.1
		8	1,45	1.0	17 AWG	7100.4204.0	7100.4204.1
		8	1,75	1.5	16 AWG	7100.4205.0	7100.4205.1
		6	2,25	2.5	14 AWG	7100.4206.0	7100.4206.1
		8	0,90	0.14 - 0.37	26-22 AWG	7100.4211.0	7100.4211.1
		8	1,10	0.5	20 AWG	7100.4212.0	7100.4212.1
		8	1,30	0.75	18 AWG	7100.4213.0	7100.4213.1
		8	1,45	1.0	17 AWG	7100.4214.0	7100.4214.1
		8	1,75	1.5	16 AWG	7100.4215.0	7100.4215.1
		6	2,25	2.5	14 AWG	7100.4216.0	7100.4216.1
<p>For frame S-M series <i>Per telai serie S-M</i></p>	<p>Dimensions in mm Part No. bold letters refer to standard availability. Normal letters refer to items on special request. <i>Dimensioni in mm I codici in grassetto indicano i prodotti di normale disponibilità. Il carattere normale indica i prodotti speciali su richiesta.</i></p>			<p>Accessories, cable glands and tools see sections 50, 55 e 60 <i>Accessori, pressacavi ed attrezzi vedere sezioni 50, 55 e 60</i></p>			

Technical characteristics	Caratteristiche tecniche
<p>Specifications: EN 60664-1 EN 61984 UL 1977 CSA C22.2 No. 182.3</p> <p>Approvals:  (UL)  </p> <p>Number of contacts: 17</p> <p>Electrical data acc. to EN 61984</p>  <p>Pollution degree 2 also: 10A 250V 4kV 2</p> <p>Current carrying capacity: Please refer to "Electrical engineering data" page 00.46 Load diagram: 6 modules in 24B size hoods/housings</p> <p>Working voltage acc. to UL/CSA 250V Insulation resistance $\geq 10^{10} \Omega$ Material Polycarbonate Limiting temperatures - 40 °C ... + 125 °C Flammability acc. to UL94 V-0 Mechanical working life ≥ 500 cycles</p> <p>Contacts:</p> <p>Material : Copper alloy Surface: Silver plated Gold plated</p> <p>Contact resistance $\leq 3 \text{ m} \Omega$ Crimp terminal - mm² 0,14 ÷ 2.5 - AWG 26 ÷ 14 Stripping length See table page 12.44</p>	<p>Norme di riferimento: EN 60664-1 EN 61984 UL 1977 CSA C22.2 No. 182.3</p> <p>Approvazioni:  (UL)  </p> <p>Numero dei contatti: 17</p> <p>Caratteristiche elettriche secondo EN 61984</p>  <p>Con grado di inquinamento 2 10A 250V 4kV 2</p> <p>Portata di corrente: Vedere "Caratteristiche elettriche" pag. 00.46 Diagramma di carico: 6 moduli in custodie grandezza 24B</p> <p>Tensione nominale secondo UL/CSA 250V Resistenza di isolamento $\geq 10^{10} \Omega$ Materiale Polycarbonate Limiti di temperature - 40 °C ... + 125 °C Autoestinguenza UL94 V-0 Vita meccanica ≥ 500 cicli</p> <p>Contatti:</p> <p>Materiale: Lega di rame Finitura: Argentati Dorati</p> <p>Resistenza di contatto: $\leq 3 \text{ m} \Omega$ Terminali a crimpare - mm² 0,14 ÷ 2.5 - AWG 26 ÷ 14 Lunghezza spellatura Vedere tabella di pag.12.44</p>
<p>For the best performance and the lowest contact resistance, Molex recommends the use of manual tools, die sets and machines illustrated in the section 60 of this catalogue</p>	<p>Per le migliori caratteristiche e la minima resistenza di contatto, si raccomanda l'utilizzo delle pinze manuali, gli applicatori e le macchine illustrate nella sezione 60 di questo catalogo</p>
<p>According to EN61984 connectors should not be coupled and decoupled under electrical load.</p>	<p>Secondo la norma EN61984 i connettori non devono essere connessi e sconnessi sotto carico</p>

Inserts, size 1 module <i>Inserti, grandezza 1 modulo</i>					Numbering <i>Numerazione</i>	Part No. <i>Codice</i>			
<p>Contact carrier for female contacts <i>Inserto porta contatti per contatti femmina</i></p>  <p>For stranded wires <i>Per fili flessibili</i> Please order contacts separately <i>Contatti da ordinare separatamente</i></p>					1-17	7717.3424.0			
<p>Contact carrier for male contacts <i>Inserto porta contatti per contatti maschio</i></p>  <p>For stranded wires <i>Per fili flessibili</i> Please order contacts separately <i>Contatti da ordinare separatamente</i></p>					1-17	7717.3426.0			
10A crimp contacts, turned <i>Contatti a crimpare da 10A, torniti</i>				Stripping length <i>Spellatura mm</i>	Ø A <i>mm</i>	Wire mm ² <i>Fili mm²</i>	Wire gauge <i>Calibro filo</i>	Part No.- <i>Codice</i>	
<p>Female <i>Femmina</i></p>  <p>Male <i>Maschio</i></p>  <p>- Material: Copper alloy <i>Materiale: Lega di rame</i> - Surface: Silver or gold plated <i>Finitura: Argentati dorati</i></p>				8	0,90	0.14 - 0.37	26-22 AWG	7100.4201.0	7100.4201.1
				8	1,10	0.5	20 AWG	7100.4202.0	7100.4202.1
				8	1,30	0.75	18 AWG	7100.4203.0	7100.4203.1
				8	1,45	1.0	17 AWG	7100.4204.0	7100.4204.1
				8	1,75	1.5	16 AWG	7100.4205.0	7100.4205.1
				6	2,25	2.5	14 AWG	7100.4206.0	7100.4206.1
<p>- Material: Copper alloy <i>Materiale: Lega di rame</i> - Surface: Silver or gold plated <i>Finitura: Argentati dorati</i></p>				8	0,90	0.14 - 0.37	26-22 AWG	7100.4211.0	7100.4211.1
				8	1,10	0.5	20 AWG	7100.4212.0	7100.4212.1
				8	1,30	0.75	18 AWG	7100.4213.0	7100.4213.1
				8	1,45	1.0	17 AWG	7100.4214.0	7100.4214.1
				8	1,75	1.5	16 AWG	7100.4215.0	7100.4215.1
				6	2,25	2.5	14 AWG	7100.4216.0	7100.4216.1
For frame S-M series <i>Per telai serie S-M</i>		<p>Dimensions in mm Part No. bold letters refer to standard availability. Normal letters refer to items on special request. <i>Dimensioni in mm I codici in grassetto indicano i prodotti di normale disponibilità. Il carattere normale indica i prodotti speciali su richiesta.</i></p>				<p>Accessories, cable glands and tools see sections 50, 55 e 60 <i>Accessori, pressacavi ed attrezzi vedere sezioni 50, 55 e 60</i></p>			

Technical characteristics	Caratteristiche tecniche
<p>Specifications: EN 61984 UL 1977 CSA C22.2 No. 182.3</p>	<p>Norme di riferimento: EN 61984 UL 1977 CSA C22.2 No. 182.3</p>
<p>Approvals: (UL) </p>	<p>Approvazioni: (UL) </p>
<p>Number of contacts: 25 High Density</p>	<p>Numero dei contatti: 25 High Density</p>
<p>Electrical data acc. to EN 61984</p>	<p>Caratteristiche elettriche secondo EN 61984</p>
<p>Pollution degree 2 also: 4A 160V 2.5kV 2</p>	<p>Con grado di inquinamento 2 4A 160V 2.5kV 2</p>
<p>Remark:</p> <p>Working current The crimp contacts are designed for nominal current of 5A max. In this "High Density" modular inserts the working current is limited at 4A max pls also refer to the load diagram page 00.47</p>	<p>Nota:</p> <p>Corrente nominale I contatti D-SUB a crimpare sono progettati per una corrente nominale di 5A massima. In questi moduli ad "Alta Densità" la corrente nominale è limitata a 4A max. Preghiamo vedere anche i diagrammi di carico di pagina 00.47</p>
<p>Current carrying capacity: Please refer to "Electrical engineering data" page 00.47 Load diagram: 6 modules in 24B size hoods/housings</p>	<p>Portata di corrente: Vedere "Caratteristiche elettriche" pag. 00.47 Diagramma di carico: 6 moduli in custodie grandezza 24B</p>
<p>Working voltage acc. to UL/CSA 30V Insulation resistance $\geq 10^{10} \Omega$ Material Polycarbonate Limiting temperatures - 40 °C ... + 125 °C Flammability acc. to UL94 V-0 Mechanical working life ≥ 500 cycles</p>	<p>Tensione nominale secondo UL/CSA 30V Resistenza di isolamento $\geq 10^{10} \Omega$ Materiale Policarbonato Limiti di temperature - 40 °C ... + 125 °C Autoestinguenza UL94 V-0 Vita meccanica ≥ 500 cicli</p>
<p>Contacts:</p> <p>Suitable for D-Sub crimp contacts</p> <p>Material : Copper alloy Surface: Gold plated</p> <p>Contact resistance $\leq 4 \text{ m} \Omega$ Crimp terminal - mm² 0,08 ÷ 0,50 - AWG 28 ÷ 20 Stripping length: 4 mm</p>	<p>Contatti:</p> <p>Adatti per contatti D-Sub a crimpare</p> <p>Materiale: Lega di rame Finitura: Dorati</p> <p>Resistenza di contatto: $\leq 4 \text{ m} \Omega$ Terminali a crimpare - mm² 0,08 ÷ 0,50 - AWG 28 ÷ 20 Lunghezza spellatura: 4 mm</p>
<p>We recommend the use of code pin on frame: Part No.: 7700.3561.0 Male Part No.: 7700.3562.0 Female See also section 55</p> <p>According to EN61984 connectors should not be coupled and decoupled under electrical load.</p>	<p>Si raccomanda l'uso dei perni di codifica sul telaio: Cod.: 77003561.0 Maschio Cod.: 7700.3562.0 Femmina Vedere anche sezione 55</p> <p>Secondo la norma EN61984 i connettori non devono essere connessi e sconnessi sotto carico</p>

Inserts, size 1 module <i>Inserti, grandezza 1 modulo</i>		UL	CE	RoHS	Part No. <i>Codice</i>		
<p>Contact carrier for female contacts <i>Inserto porta contatti per contatti femmina</i></p>  <p>For stranded wires <i>Per fili flessibili</i> Please order contacts separately <i>Contatti da ordinare separatamente</i></p>	 <p>Female contacts, please order separately <i>Contatti femmina da ordinare separatamente</i></p>			7725.3430.0			
<p>Contact carrier for male contacts <i>Inserto porta contatti per contatti maschio</i></p>  <p>For stranded wires <i>Per fili flessibili</i> Please order contacts separately <i>Contatti da ordinare separatamente</i></p>	 <p>Male contacts, please order separately <i>Contatti maschio da ordinare separatamente</i></p>			7725.3432.0			
D-Sub 5A crimp contacts, turned <i>Contatti D-Sub a crimpare da 5A, torniti</i>		M/F	Stripping length <i>Spellatura mm</i>	Ø A mm	Wire mm ² <i>Fili mm²</i>	Wire gauge <i>Calibro filo</i>	Part.No.-Codice Gold plated
 <p>Material : <i>Materiale:</i> Surface: <i>Finitura:</i></p> <p>Copper alloy - <i>Lega di rame</i> Gold plated - <i>Dorati</i></p>	F	4	0.64	0,08 - 0,20	28-24 AWG	7700.3436.1	
	F	4	0.90	0,14 - 0,35	26-22 AWG	7700.3437.1	
	F	4	1.12	0,35 - 0,50	22-20 AWG	7700.3438.1	
	M	4	0.64	0,08 - 0,20	28-24 AWG	7700.3440.1	
	M	4	0.90	0,14 - 0,35	26-22 AWG	7700.3441.1	
	M	4	1.12	0,35 - 0,50	22-20 AWG	7700.3442.1	
<p>For the best performance and the lowest contact resistance, Molex recommends the use of manual tools, die sets and machines illustrated in the section 60 of this catalogue <i>Per le migliori caratteristiche e la minima resistenza di contatto, si raccomanda l'utilizzo delle pinze manuali, gli applicatori e le macchine illustrate nella sezione 60 di questo catalogo</i></p>							
<p>For frame S-M series <i>Per telai serie S-M</i></p>	<p>Dimensions in mm Part No. bold letters refer to standard availability. Normal letters refer to items on special request. <i>Dimensioni in mm I codici in grassetto indicano i prodotti di normale disponibilità. Il carattere normale indica i prodotti speciali su richiesta.</i></p>				<p>Accessories, cable glands and tools see sections 50, 55 e 60 <i>Accessori, pressacavi ed attrezzi vedere sezioni 50, 55 e 60</i></p>		

Technical characteristics

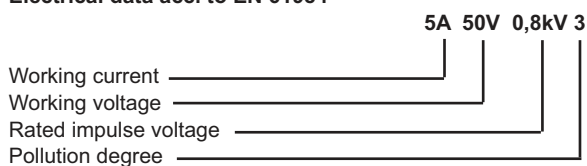
- With D-Sub insert male or female for crimp contacts
- Adapter module for 9p D-Sub insert male/female with other terminations solder or IDC type with compatible dimensions

Specifications: EN 60664-1
EN 61984
UL 1977

Approvals: 

Number of contacts: 9

Electrical data acc. to EN 61984



Current carrying capacity: Please refer to "Electrical engineering data" page 00.47
Load diagram: 6 modules in 24B size hoods/housings

Working voltage acc. to UL 30V
Insulation resistance $\geq 10^{10} \Omega$
Material Polycarbonate
Metal parts Zinc alloy
Limiting temperatures - 40 °C ... + 125 °C
Flammability acc. to UL94 V-0
Mechanical working life ≥ 500 cycles

Contacts, crimp type:

Material : Copper alloy
Surface: Gold plated

Contact resistance $\leq 4 \text{ m} \Omega$
Crimp terminal - mm² 0,08 ÷ 0,50
- AWG 28 ÷ 20
Stripping length: 4 mm

We recommend the use of code pin on frame:
Part No.: **7700.3561.0 Male**
Part No.: **7700.3562.0 Female**
See also section 55

According to EN61984 connectors should not be coupled and decoupled under electrical load.

Caratteristiche tecniche

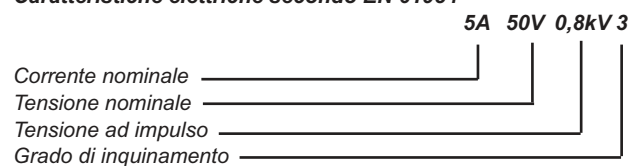
- Con inserto D-Sub 9p maschio o femmina per contatti a crimpare
- Modulo adattatore per inserti D-Sub 9p maschio o femmina con altre terminazioni a saldare o IDC compatibili

Norme di riferimento: EN 60664-1
EN 61984
UL 1977

Approvazioni: 

Numero dei contatti: 9

Caratteristiche elettriche secondo EN 61984



Portata di corrente: Vedere "Caratteristiche elettriche" pag. 00.47
Diagramma di carico: 6 moduli in custodie grandezza 24B

Tensione nominale secondo UL 30V
Resistenza di isolamento $\geq 10^{10} \Omega$
Materiale Policarbonato
Parti metalliche Lega di zinco
Limiti di temperature - 40 °C ... + 125 °C
Autoestinguenza UL94 V-0
Vita meccanica ≥ 500 cicli


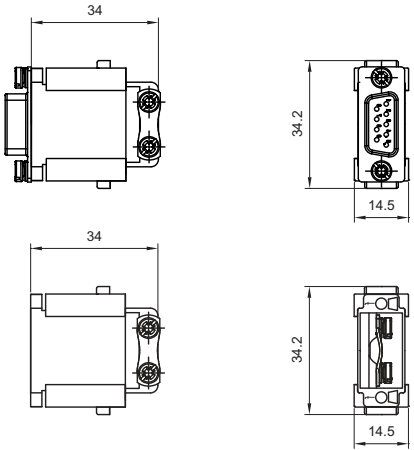

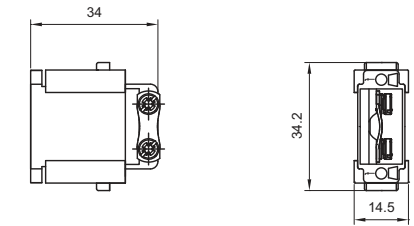

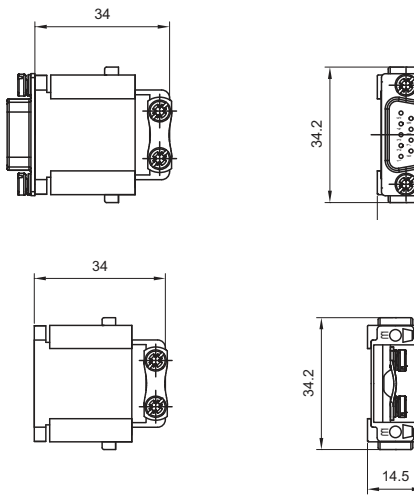

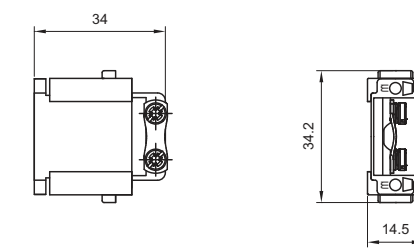

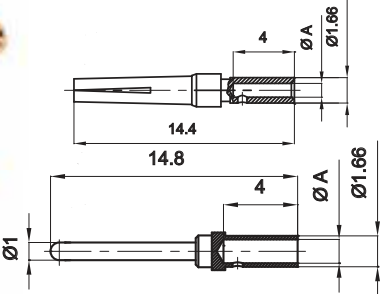
Contatti, a crimpare:

Materiale: Lega di rame
Finitura: Dorati





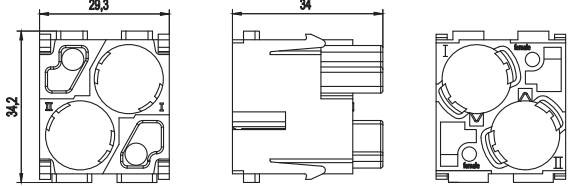

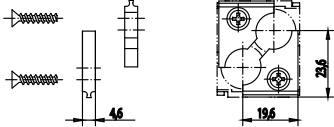

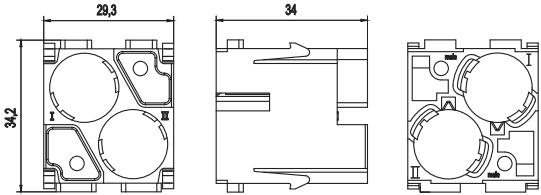

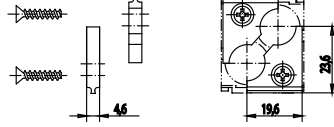
Resistenza di contatto: $\leq 4 \text{ m} \Omega$
Terminali a crimpare - mm² 0,08 ÷ 0,50
- AWG 28 ÷ 20
Lunghezza spellatura: 4 mm

Si raccomanda l'uso dei perni di codifica sul telaio:
Cod.: **77003561.0 Maschio**
Cod.: **7700.3562.0 Femmina**
Vedere anche sezione 55


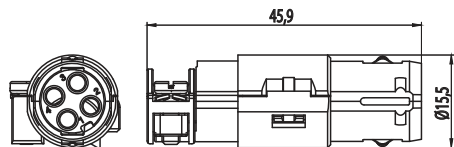
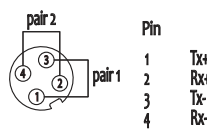

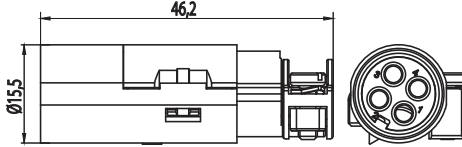
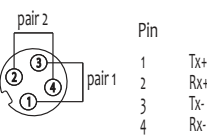



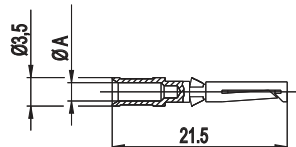
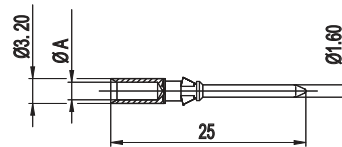
Secondo la norma EN61984 i connettori non devono essere connessi e sconnessi sotto carico

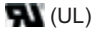





Inserts, size 1 module <i>Inserti, grandezza 1 modulo</i>		(UL)	CE	RoHS	Part No. <i>Codice</i>		
<p>Module with female D-sub 9 poles insert Please order contacts separately <i>Modulo con inserto D-Sub 9 poli femmina</i> <i>Contatti da ordinare separatamente</i></p> 				7709.3466.0			
<p>Adapter module without D-Sub insert <i>Modulo senza inserti D-Sub</i></p> 				7709.3470.0			
<p>Module with male D-sub 9 poles insert Please order contacts separately <i>Modulo con inserto D-Sub 9 poli maschio</i> <i>Contatti da ordinare separatamente</i></p> 				7709.3468.0			
<p>Adapter module without D-Sub insert <i>Modulo senza inserti D-Sub</i></p> 				7709.3472.0			
D-Sub 5A crimp contacts, turned <i>Contatti D-Sub a crimpare da 5A, torniti</i>		M/F	Stripping length <i>Spellatura</i> mm	Ø A mm	Wire mm ² <i>Fili</i> mm ²	Wire gauge <i>Calibro filo</i>	Part.No.-Codice Gold plated
 	F	4	0.64	0,08 - 0,20	28-24 AWG	7700.3436.1	
	F	4	0.90	0,14 - 0,35	26-22 AWG	7700.3437.1	
	F	4	1.12	0,35 - 0,50	22-20 AWG	7700.3438.1	
	M	4	0.64	0,08 - 0,20	28-24 AWG	7700.3440.1	
	M	4	0.90	0,14 - 0,35	26-22 AWG	7700.3441.1	
	M	4	1.12	0,35 - 0,50	22-20 AWG	7700.3442.1	
<p>Material : <i>Materiale:</i> Surface: <i>Finitura:</i></p> <p>Copper alloy - <i>Lega di rame</i> Gold plated - <i>Dorati</i></p>		<p>For the best performance and the lowest contact resistance, Molex recommends the use of manual tools, die sets and machines illustrated in the section 60 of this catalogue <i>Per le migliori caratteristiche e la minima resistenza di contatto, si raccomanda l'utilizzo delle pinze manuali, gli applicatori e le macchine illustrate nella sezione 60 di questo catalogo</i></p>					
<p>For frame S-M series <i>Per telai serie S-M</i></p>	<p>Dimensions in mm Part No. bold letters refer to standard availability. Normal letters refer to items on special request. <i>Dimensioni in mm I codici in grassetto indicano i prodotti di normale disponibilità. Il carattere normale indica i prodotti speciali su richiesta.</i></p>				<p>Accessories, cable glands and tools see sections 50, 55 e 60 <i>Accessori, pressacavi ed attrezzi vedere sezioni 50, 55 e 60</i></p>		


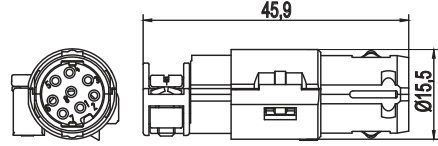

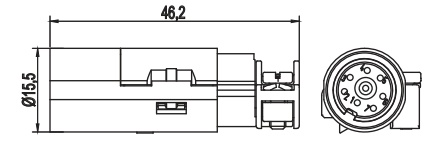

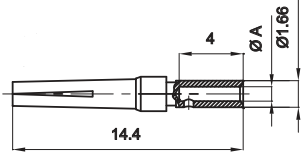

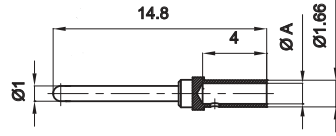
Technical characteristics		Caratteristiche tecniche	
Specifications:	EN 60664-1 EN 61984 UL 1977	Norme di riferimento:	EN 60664-1 EN 61984 UL 1977
Approvals:	(UL) 	Approvazioni:	(UL)
Inserts:	For 2 BUS connectors S-CX series	Inserti:	Per 2 connettori BUS serie S-CX
Insulation resistance	≥ 10 ¹⁰ Ω	Resistenza di isolamento	≥ 10 ¹⁰ Ω
Material	Polycarbonate	Materiale	Polycarbonato
Limiting temperatures	- 40 °C ... + 125 °C	Limiti di temperature	- 40 °C ... + 125 °C
Flammability acc. to	UL94 V-0	Autoestinguenza	UL94 V-0
Mechanical working life	≥ 500 cycles	Vita meccanica	≥ 500 cicli
Technical characteristics of BUS connectors see pages:		Caratteristiche elettriche dei connettori BUS vedere pagine:	
S-CX/4	page 12.51	S-CX/4	pag. 12.51
S-CX/8	page 12.53	S-CX/8	pag. 12.53
S-CX/75	page 12.55	S-CX/75	pag. 12.55
S-CX/50	page 12.57	S-CX/50	pag. 12.55
Recommended enclosures:	21, 22, 23, 25, 26, 27, 30	Custodie suggerite:	21,22,23,25,26,27,30
Type:	STD, HE, EMC, HP-HE	Tipo:	STD, HE, EMC, HP-HE
Material	Die cast aluminium	Materiale:	Fusione di alluminio
Surface	Powder coated	Superficie:	Verniciatura a polvere
Locking element	With metal lever or screws	Sistema di chiusura:	Leva metallica o viti
Hood/housing seal	NBR	Guarnizione:	NBR
Limiting temperatures	- 40 °C ... + 125 °C	Limiti di temperature:	-40°C ... +125°C
Degree of protection acc. to EN 60529 for coupled connectors	IP66 or IP68 (HP-HE)	Grado di protezione secondo EN 60529 connettori accoppiati:	IP66 o IP68 (HP-HE)
Thread	Metric EN 50262 Pg DIN 40430	Filettatura:	Metrica EN 50262 Pg DIN 40430

Inserts, size 2 modules Inserti, grandezza 2 moduli	 (UL)  	Numbering Numerazione	Part No. Codice
<p>Female modular insert <i>Inserto modulare femmina</i></p>   <p>Circular connector ground adapter <i>Adattatore per la presa di terra</i></p>  	<p>1-2</p>	<p>7702.3490.0</p> <p>7700.3515.0</p>	
<p>Male modular insert <i>Inserto modulare maschio</i></p>   <p>Circular connector ground adapter <i>Adattatore per la presa di terra</i></p>  	<p>1-2</p>	<p>7702.3492.0</p> <p>7700.3515.0</p>	

Technical characteristics	Caratteristiche tecniche
<p>Specifications: EN 60664.1 EN 61984 UL 1977 CSA C22.2 No. 182.3</p>	<p>Norme di riferimento: EN 60664.1 EN 61984 UL 1977 CSA C22.2 No. 182.3</p>
<p>Approvals: (UL) </p>	<p>Approvazioni: (UL) </p>
<p>Number of contacts: 4 + shield</p>	<p>No. dei contatti: 4 + schermo</p>
<p>Electrical data acc. to EN 61984</p>	<p>Caratteristiche elettriche secondo EN 61984</p>
<p style="text-align: right;">10A 50V 0,8kV 3</p> <p>Working current _____ Working voltage _____ Rated impulse voltage _____ Pollution degree _____</p>	<p style="text-align: right;">10A 50V 0,8kV 3</p> <p>Corrente nominale _____ Tensione nominale _____ Tensione ad impulso _____ Grado di inquinamento _____</p>
<p>Working voltage acc. to UL/CSA: 50V</p>	<p>Tensione nominale secondo UL/CSA: 50V</p>
<p>Materials:</p>	<p>Materiali:</p>
<p>Insulating body Polycarbonate Shield Zinc alloy nickel plated Limiting temperatures - 40 °C ... + 125 °C Flammability acc. to UL94 V0 Mechanical working life ≥ 500 cycles</p>	<p>Corpo isolante Policarbonato Schermo Lega di zinco nichelata Limiti di temperature - 40 °C ... + 125 °C Autoestinguenza UL94 V0 Vita meccanica ≥ 500 cicli</p>
<p>Contact turned:</p>	<p>Contatti torniti:</p>
<p>Material Copper alloy Surface Gold plated Contact resistance ≤ 3 m Ω Crimp terminal mm² 0.14 ÷ 2.5 AWG 26 ÷ 14</p>	<p>Materiale Lega di rame Finitura Dorati Resistenza di contatto ≤ 3 m Ω Terminali a crimpare mm² 0.14 ÷ 2.5 AWG 26 ÷ 14</p>
<p>Shield with strain relief for cables DIA 3 ÷ 9.5 mm</p>	<p>Schermo con fermacavo per cavi DIA 3 ÷ 9.5 mm</p>
<p>Molex suggest the use of gold plated contacts in application with small signal: see note of page 00.20</p>	<p>Molex consiglia l'impiego di soli contatti dorati in applicazioni con segnali deboli: vedere nota di pag. 00.20</p>
<p>For 2 pairs STP cables in accordance with ISO/IEC 11801-2, EN 50173-2, Class D (CAT5), 100MHz.</p>	<p>Per cavi STP con 2 coppie secondo le norme ISO/IEC 11801-2, EN 50173-2 Classe D (CAT5), 100 MHz</p>

Shielded circular BUS connectors with 4 contacts 10A S-D serie Connettori BUS circolari schermati con 4 contatti serie S-D 10A		Numbering Numerazione	Part No. Codice			
<p>Female connector <i>Connettore femmina</i></p>  <p>Female crimp contact 10A, 4 pcs. to be ordered separately <i>Contatti femmina a crimpare 4 pz., da ordinare separatamente</i></p>	  <p>With strain reliefs for cables DIA 3 + 9.5 mm <i>Con fermacavi per cavi DIA 3 + 9,5 mm</i></p>	1 - 4	7704.3494.0			
<p>Male connector <i>Connettore maschio</i></p>  <p>Male crimp contact 10A, 4 pcs. to be ordered separately <i>Contatti maschio a crimpare 4 pz., da ordinare separatamente</i></p>	  <p>With strain reliefs for cables DIA 3 + 9.5 mm <i>Con fermacavi per cavi DIA 3 + 9,5 mm</i></p>	1 - 4	7704.3496.0			
10A S-D serie crimp contacts, turned <i>Contatti a crimpare da 10A serie S-D, torniti</i>		Stripping length Spellatura filo	Ø A	Wire mm ² Filo mm ²	Wire gauge Calibro filo	Part No. Codice
  <p>Female <i>Femmina</i></p>  <p>Male <i>Maschio</i></p>		mm				
	8	0,90	0.14 - 0.37	26-22 AWG	7100.4201.1	
	8	1,10	0.5	20 AWG	7100.4202.1	
	8	1,30	0.75	18 AWG	7100.4203.1	
	8	1,45	1.0	18 AWG	7100.4204.1	
	8	1,75	1.5	16 AWG	7100.4205.1	
	6	2,25	2.5	14 AWG	7100.4206.1	
	8	0,90	0.14 - 0.37	26-22 AWG	7100.4211.1	
	8	1,10	0.5	20 AWG	7100.4212.1	
	8	1,30	0.75	18 AWG	7100.4213.1	
	8	1,45	1.0	18 AWG	7100.4214.1	
	8	1,75	1.5	16 AWG	7100.4215.1	
	6	2,25	2.5	14 AWG	7100.4216.1	
						
	<p>For the best performance and the lowest contact resistance, Molex recommends the use of manual tools, die sets and machines illustrated in the section 60 of this catalogue</p> <p><i>Per le migliori caratteristiche e la minima resistenza di contatto, si raccomanda l'utilizzo delle pinze manuali, gli applicatori e le macchine illustrate nella sezione 60 di questo catalogo</i></p>					
	<p>- Material: Copper alloy <i>Materiale: Lega di rame</i></p> <p>- Surface: Gold plated <i>Finitura: Dorati</i></p>					

Technical characteristics	Caratteristiche tecniche
<p>Specifications: EN 60664.1 EN 61984 UL 1977 CSA C22.2 No. 182.3</p>	<p>Norme di riferimento: EN 60664.1 EN 61984 UL 1977 CSA C22.2 No. 182.3</p>
<p>Approvals:  (UL)  </p>	<p>Approvazioni:  (UL)  </p>
<p>Number of contacts: 8 + shield</p>	<p>No. dei contatti: 8 + schermo</p>
<p>Electrical data acc. to EN 61984</p> <p style="text-align: right;">5A 50V 0.8kV 3</p> <p>Working current _____ Working voltage _____ Rated impulse voltage _____ Pollution degree _____</p>	<p>Caratteristiche elettriche secondo EN 61984</p> <p style="text-align: right;">5A 50V 0.8kV 3</p> <p>Corrente nominale _____ Tensione nominale _____ Tensione ad impulso _____ Grado di inquinamento _____</p>
<p>Working voltage acc. to UL/CSA: 50V</p>	<p>Tensione nominale secondo UL/CSA: 50V</p>
<p>Materials:</p> <p>Insulating body Polycarbonate Shield Zinc alloy nickel plated Limiting temperatures - 40 °C ... + 85 °C Flammability acc. to UL94 V0 Mechanical working life ≥ 500 cycles</p>	<p>Materiali:</p> <p>Corpo isolante Policarbonato Schermo Lega di zinco nichelata Limiti di temperature - 40 °C ... + 85 °C Autoestinguenza UL94 V0 Vita meccanica ≥ 500 cicli</p>
<p>Contact turned:</p> <p>Material Copper alloy Surface Gold plated Contact resistance ≤ 4 m Ω Crimp terminal</p> <p style="margin-left: 40px;">mm² 0.08 ÷ 0.50 AWG 28 ÷ 20</p>	<p>Contatti torniti:</p> <p>Materiale Lega di rame Finitura Dorati Resistenza di contatto ≤ 4 m Ω Terminali a crimpare</p> <p style="margin-left: 40px;">mm² 0.08 ÷ 0.50 AWG 28 ÷ 20</p>
<p>Shield with strain relief for cables DIA 3 ÷ 9.5 mm</p>	<p>Schermo con fermacavo per cavi DIA 3 ÷ 9.5 mm</p>
<p>Molex suggest the use of gold plated contacts in application with small signal: see note of page 00.20</p>	<p>Molex consiglia l'impiego di soli contatti dorati in applicazioni con segnali deboli: vedere nota di pag. 00.20</p>

Shielded circular BUS connectors with 8 D-SUB contacts Connettori BUS circolari schermati con 8 contatti D-SUB		Numbering Numerazione	Part No. Codice				
<p>Female connector <i>Connettore femmina</i></p>  <p>Female crimp contact 8 pcs. to be ordered separately <i>Contatti femmina a crimpare 8 pz., da ordinare separatamente</i></p>	 <p>With strain reliefs for cables DIA 3 + 9.5 mm <i>Con fermacavi per cavi DIA 3 + 9,5 mm</i></p>	1 - 8	7708.3518.0				
<p>Male connector <i>Connettore maschio</i></p>  <p>Male crimp contact 8 pcs. to be ordered separately <i>Contatti maschio a crimpare 8 pz., da ordinare separatamente</i></p>	 <p>With strain reliefs for cables DIA 3 + 9.5 mm <i>Con fermacavi per cavi DIA 3 + 9,5 mm</i></p>	1 - 8	7708.3520.0				
D-Sub 5A crimp contacts, turned Contatti D-Sub a crimpare da 5A, torniti		M/F	Stripping length	ØA	Wire mm ² Fili mm ²	Wire gauge Calibro filo	Part.No.-Codice Gold plated
<p>Female connector <i>Connettore femmina</i></p>  	F	5	0.64	0,08 - 0,20	28-24 AWG	7700.3436.1	
	F	5	0.90	0,14 - 0,35	26-22 AWG	7700.3437.1	
	F	5	1.12	0,35 - 0,50	22-20 AWG	7700.3438.1	
	M	5	0.64	0,08 - 0,20	28-24 AWG	7700.3440.1	
	M	5	0.90	0,14 - 0,35	26-22 AWG	7700.3441.1	
	M	5	1.12	0,35 - 0,50	22-20 AWG	7700.3442.1	
<p>Male connector <i>Connettore maschio</i></p>  	<p>For the best performance and the lowest contact resistance, Molex recommends the use of manual tools, die sets and machines illustrated in the section 60 of this catalogue <i>Per le migliori caratteristiche e la minima resistenza di contatto, si raccomanda l'utilizzo delle pinze manuali, gli applicatori e le macchine illustrate nella sezione 60 di questo catalogo</i></p>						
<p>- Material: Copper alloy Materiale: Lega di rame</p> <p>- Surface: Gold plated Finitura: Dorati</p>							

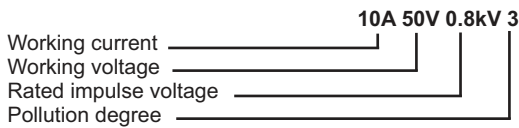
Technical characteristics	Caratteristiche tecniche
---------------------------	--------------------------

Specifications: EN 60664.1
 EN 61984
 UL 1977
 CSA C22.2 No. 182.3

Approvals:  (UL)
 

Number of contacts: 1 + shield

Electrical data acc. to EN 61984



Working voltage acc. to UL/CSA: 50V

Materials:

Insulating body Polycarbonate
 Shield Zinc alloy nickel plated
 Limiting temperatures - 40 °C ... + 85 °C
 Flammability acc. to UL94 V0
 Mechanical working life ≥ 500 cycles

Contact turned:

Material Copper alloy
 Surface Gold plated
 Contact resistance ≤ 3 m Ω
 Crimp terminal
 mm² 0.14 + 2.50
 AWG 26 + 14

Shield with strain relief for cables DIA 3 + 9.5 mm


Molex suggest the use of gold plated contacts in application with small signal: see note of page 00.20

Impedance: 75 Ω

Cable: Coaxial cables with impedance 75 Ω: RG11A/U, RG179 B/U, RG187 A/U, etc.

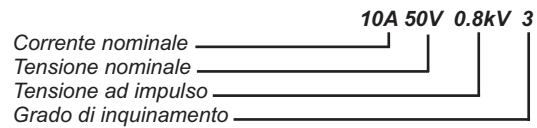
Attenuation (insertion loss): 0.01 dB ± 0.05 dB (10 + 400MHz)

Norme di riferimento: EN 60664.1
 EN 61984
 UL 1977
 CSA C22.2 No. 182.3

Approvazioni:  (UL)
 

No. dei contatti: 1 + schermo

Caratteristiche elettriche secondo EN 61984



Tensione nominale secondo UL/CSA: 50V

Materiali:

Corpo isolante Polycarbonato
 Schermo Lega di zinco nichelata
 Limiti di temperatura - 40 °C ... + 85 °C
 Autoestinguenza UL94 V0
 Vita meccanica ≥ 500 cicli

Contatti torniti:

Materiale Lega di rame
 Finitura Dorati
 Resistenza di contatto ≤ 3 m Ω
 Terminali a crimpare
 mm² 0.14 + 2.50
 AWG 26 + 14

Schermo con fermacavo per cavi DIA 3 + 9.5 mm

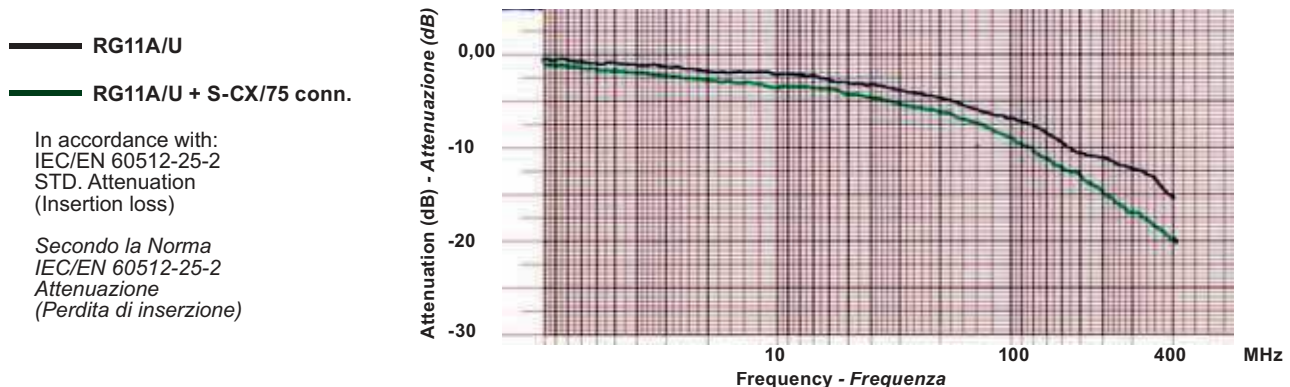
Molex consiglia l'impiego di soli contatti dorati in applicazioni con segnali deboli: vedere nota di pag. 00.20


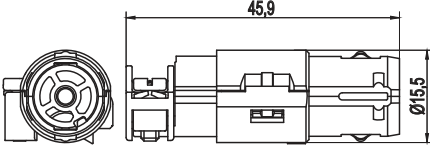

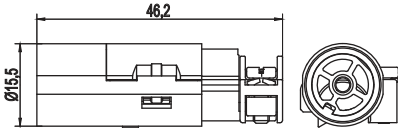


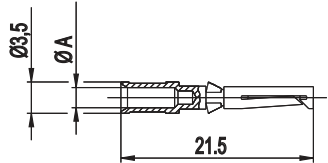
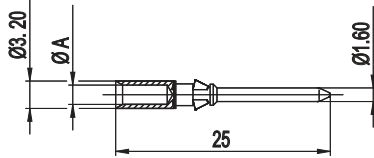
Impedenza: 75 Ω

Cavo: Cavi coassiali con impedenza caratteristica 75 Ω, RG11A/U, RG179 B/U, RG187 A/U, ecc.

Perdita di segnale: 0.01 dB ± 0.05 dB (10 + 400MHz)

Attenuation (Insertion loss) - Attenuazione (perdita di inserzione)
Coaxial connector 75 Ohm - Connettore coassiale 75 Ohm



Shielded coaxial connectors with 1 contact 10A S-D series Connettori coassiali schermati con 1 contatto serie S-D 10A		Numbering Numerazione	Part No. Codice			
<p>Female connector <i>Connettore femmina</i></p>  <p>Female crimp contact 1 pc. to be ordered separately <i>Contatti femmina a crimpare 1 pz., da ordinare separatamente</i></p>	 <p>With strain reliefs for cables DIA 3 + 9.5 mm <i>Con fermacavi per cavi DIA 3 + 9,5 mm</i></p>	1	7701.3498.0			
<p>Male connector <i>Connettore maschio</i></p>  <p>Male crimp contact 1 pc. to be ordered separately <i>Contatti maschio a crimpare 1 pz., da ordinare separatamente</i></p>	 <p>With strain reliefs for cables DIA 3 + 9.5 mm <i>Con fermacavi per cavi DIA 3 + 9,5 mm</i></p>	1	7701.3510.0			
10A S-D serie crimp contacts, turned <i>Contatti a crimpare da 10A serie S-D, torniti</i>		Stripping length <i>Spellatura filo</i>	Ø A	Wire mm ² <i>Filo mm²</i>	Wire gauge <i>Calibro filo</i>	Part.No.-Codice <i>Gold plated Dorati</i>
 <p>Female <i>Femmina</i></p>  <p>Male <i>Maschio</i></p>  	mm					
	8	0,90	0.14 - 0.37	26-22 AWG	7100.4201.1	
	8	1,10	0.5	20 AWG	7100.4202.1	
	8	1,30	0.75	18 AWG	7100.4203.1	
	8	1,45	1.0	18 AWG	7100.4204.1	
	8	1,75	1.5	16 AWG	7100.4205.1	
	6	2,25	2.5	14 AWG	7100.4206.1	
	8	0,90	0.14 - 0.37	26-22 AWG	7100.4211.1	
	8	1,10	0.5	20 AWG	7100.4212.1	
	8	1,30	0.75	18 AWG	7100.4213.1	
	8	1,45	1.0	18 AWG	7100.4214.1	
	8	1,75	1.5	16 AWG	7100.4215.1	
	6	2,25	2.5	14 AWG	7100.4216.1	
	<p>For the best performance and the lowest contact resistance, Molex recommends the use of manual tools, die sets and machines illustrated in the section 60 of this catalogue</p> <p><i>Per le migliori caratteristiche e la minima resistenza di contatto, si raccomanda l'utilizzo delle pinze manuali, gli applicatori e le macchine illustrate nella sezione 60 di questo catalogo</i></p>					
<p>- Material: Copper alloy <i>Materiale: Lega di rame</i></p> <p>- Surface: Gold plated <i>Finitura: Dorati</i></p>						

Technical characteristics	Caratteristiche tecniche
---------------------------	--------------------------

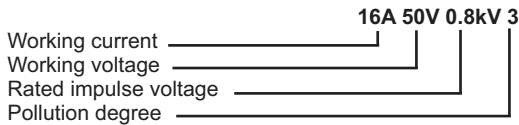
Specifications: EN 60664.1
 EN 61984
 UL 1977
 CSA C22.2 No. 182.3

Approvals:  (UL)



Number of contacts: 1 + shield

Electrical data acc. to EN 61984



Working voltage acc. to UL/CSA: 50V

Materials:

Insulating body Polycarbonate
 Shield Zinc alloy nickel plated
 Limiting temperatures - 40 °C ... + 85 °C
 Flammability acc. to UL94 V0
 Mechanical working life ≥ 500 cycles

Contact turned:

Material Copper alloy
 Surface Gold plated
 Contact resistance ≤ 1 m Ω
 Crimp terminal
 mm² 0.14 ÷ 4.00
 AWG 26 ÷ 12

Shield with strain relief for cables DIA 3 ÷ 9.5 mm

Molex suggest the use of gold plated contacts in application with small signal: see note of page 00.20

Impedance: 50 Ω

Cable: Coaxial cables with impedance 50 Ω: RG213/U, RG316/U, RG174/U, RG188A/U

Attenuation (insertion loss): 0.05 dB ÷ 0.15 dB (10 ÷ 400MHz)

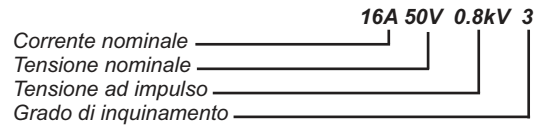
Norme di riferimento: EN 60664.1
 EN 61984
 UL 1977
 CSA C22.2 No. 182.3

Approvazioni:  (UL)



No. dei contatti: 1 + schermo

Caratteristiche elettriche secondo EN 61984



Tensione nominale secondo UL/CSA: 50V

Materiali:

Corpo isolante Polycarbonato
 Schermo Lega di zinco nichelata
 Limiti di temperatura - 40 °C ... + 85 °C
 Autoestinguenza UL94 V0
 Vita meccanica ≥ 500 cicli

Contatti torniti:

Materiale Lega di rame
 Finitura Dorati
 Resistenza di contatto ≤ 1 m Ω
 Terminali a crimpare
 mm² 0.14 ÷ 4.0
 AWG 26 ÷ 12

Schermo con fermacavo per cavi DIA 3 ÷ 9.5 mm

Molex consiglia l'impiego di soli contatti dorati in applicazioni con segnali deboli: vedere nota di pag. 00.20

Impedenza: 50 Ω

Cavo: Cavi coassiali con impedenza caratteristica 50 Ω: RG213/U, RG316/U, RG174/U, RG188A/U

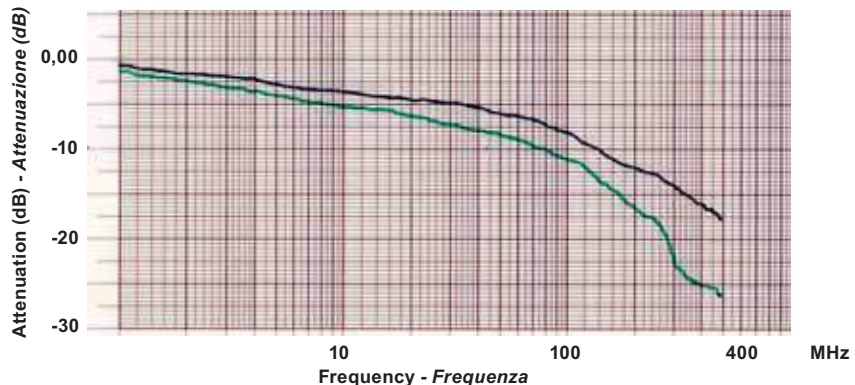
Perdita di segnale: 0.05 dB ÷ 0.15 dB (10 ÷ 400MHz)


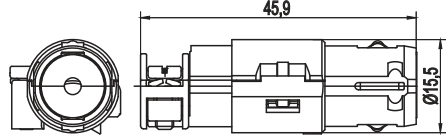

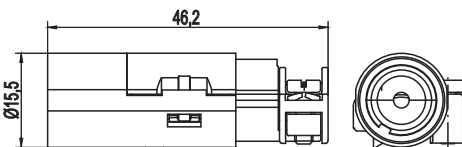



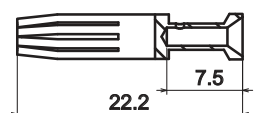
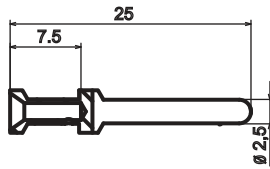
Attenuation (Insertion loss) - Attenuazione (perdita di inserzione)
Coaxial connector 50 Ohm - Connettore coassiale 50 Ohm

— RG11A/U
 — RG11A/U + S-CX/50 conn.

In accordance with:
 IEC/EN 60512-25-2
 STD. Attenuation
 (Insertion loss)

Secondo la Norma
 IEC/EN 60512-25-2
 Attenuazione
 (Perdita di inserzione)



Shielded coaxial connectors with 1 contact 16A S-E serie Connettori coassiali schermati con 1 contatto serie S-E 16A		Numbering Numerazione	Part No. Codice			
<p>Female connector Connettore femmina</p>  <p>Female crimp contact 1 pc. to be ordered separately Contatti femmina a crimpare 1 pz., da ordinare separatamente</p>	 <p>With strain reliefs for cables DIA 3 + 9.5 mm Con fermacavi per cavi DIA 3 + 9,5 mm</p>	1	7701.3512.0			
<p>Male connector Connettore maschio</p>  <p>Male crimp contact 1 pc. to be ordered separately Contatti maschio a crimpare 1 pz., da ordinare separatamente</p>	 <p>With strain reliefs for cables DIA 3 + 9.5 mm Con fermacavi per cavi DIA 3 + 9,5 mm</p>	1	7701.3514.0			
S-E serie 16A crimp contacts, turned Contatti a crimpare serie S-E da 16A, torniti		Stripping length Spellatura mm	Num. of gloves Numero Gole	Wire mm ² Fili mm ²	Wire gauge Calibro filo	Part.No.-Codice Gold plated
<p></p> <p> Femiale Femmina</p> <p> Male Maschio</p> <p>- Material: Copper alloy Materiale: Lega di rame - Surface: Gold plated Finitura: Dorati</p>		7.5	0	0.14 - 0.37	26-22 AWG	7300.6240.1
		7.5	0	0.5	20 AWG	7300.6241.1
		7.5	1	0.75	18 AWG	7300.6239.1
		7.5	1	1.0	18 AWG	7300.6242.1
		7.5	2	1.5	16 AWG	7300.6243.1
		7.5	2	2.5	14 AWG	7300.6244.1
		7.5	0	4.0	12 AWG	7300.6245.1
		7.5	0	0.14 - 0.37	26-22 AWG	7300.6237.1
		7.5	0	0.5	20 AWG	7300.6246.1
		7.5	1	0.75	18 AWG	7300.6236.1
		7.5	1	1.0	18 AWG	7300.6247.1
		7.5	2	1.5	16 AWG	7300.6248.1
		7.5	2	2.5	14 AWG	7300.6249.1
		7.5	0	4.0	12 AWG	7300.6250.1
<p>For the best performance and the lowest contact resistance, Molex recommends the use of manual tools, die sets and machines illustrated in the section 60 of this catalogue Per le migliori caratteristiche e la minima resistenza di contatto, si raccomanda l'utilizzo delle pinze manuali, gli applicatori e le macchine illustrate nella sezione 60 di questo catalogo</p>						

Technical characteristics

Caratteristiche tecniche

Single module with standard shielded RJ45 plug and jack

Modulo singolo con standard spina/presa RJ45

Specifications: EN 60664-1
EN 61984
EN 50173-1
ISO/IEC 11801

Norme di riferimento: EN 60664-1
EN 61984
EN 50173-1
ISO/IEC 11801

Approvals:  (UL)
 

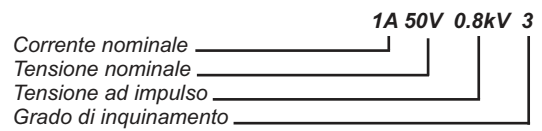
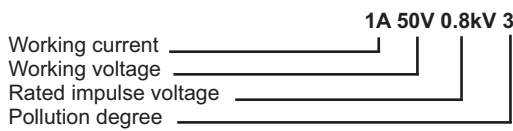
Approvazioni:  (UL)
 

Number of contacts: 8p8C + shield

No. dei contatti: 8p8C + schermo

Electrical data acc. to EN 61984

Caratteristiche elettriche secondo EN 61984



Working voltage acc. to UL: 30V

Tensione nominale secondo UL: 30V

Transmission features: CAT6 / Class E
up to 250 MHz
Transmission rate: 10/100/1000 Mbit/s
Insulation resistance $\geq 10^{10} \Omega$
Material Polycarbonate
Limiting temperatures - 40 °C ... + 85 °C
Flammability acc. to UL94 V-0
Mechanical working life ≥ 500 cycles

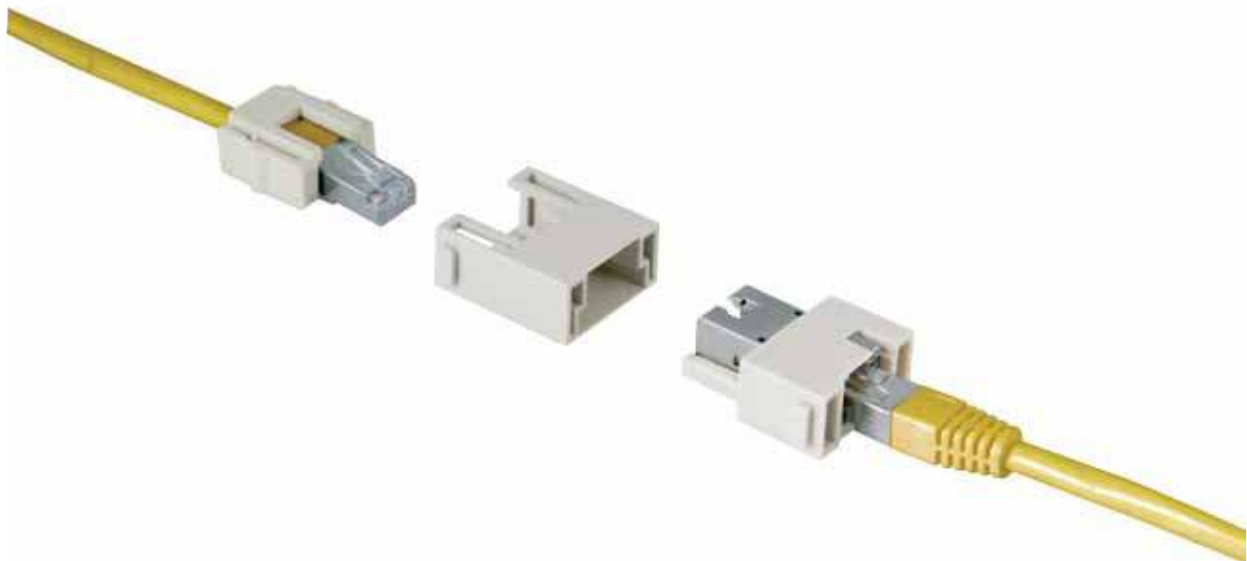
Caratteristiche di trasmissione: CAT6/ Classe E
fino a 250MHz
Valori di trasmissione: 10/100/1000 Mbit/s
Resistenza di isolamento $\geq 10^{10} \Omega$
Materiale Policarbonato
Limiti di temperatura - 40 °C ... + 85 °C
Autoestinguenza UL94 V-0
Vita meccanica ≥ 500 cicli


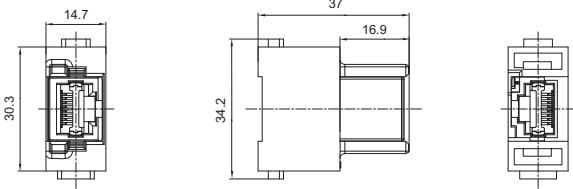

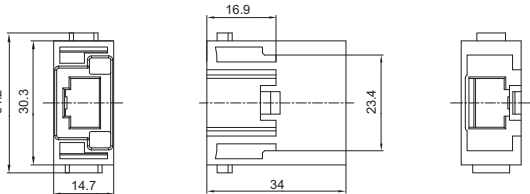

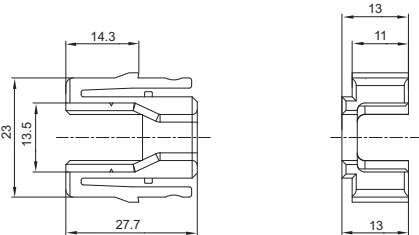
- Patch cord assembly without tools

- Assemblaggio del cordone RJ45 senza attrezzi

- Designed for RJ45 Molex patch cords, CAT6, fully shielded.
See page 09.27

- Progettato per cordoni Molex RJ45, CAT6,
completamente schermati.
Vedere pag. 09.27

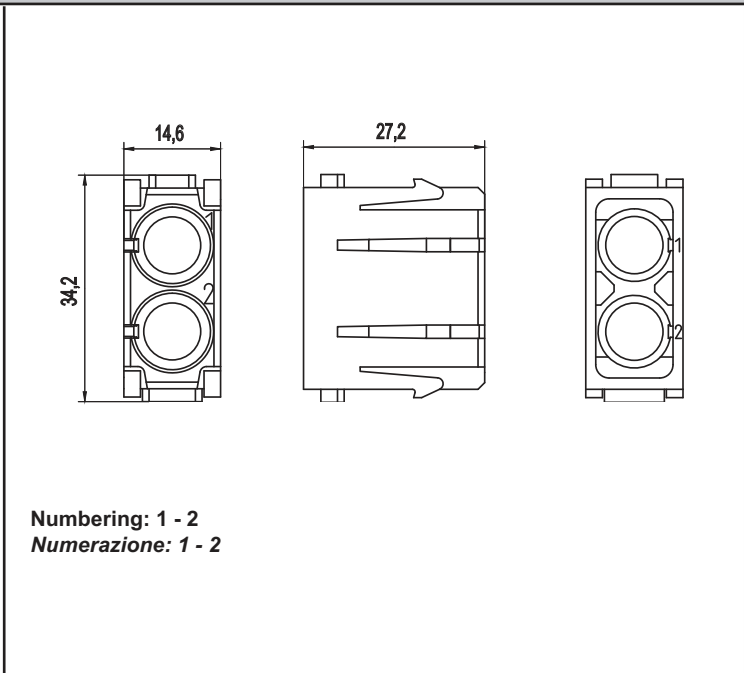


Inserts, size 1 module <i>Inserti , grandezza 1 modulo</i>		UL (UL)	CE (RoHS)	Part No. <i>Codice</i>
<p>Gender charger for RJ45 patch cord <i>Gender charger per cordoni RJ45</i></p> 				7701.3563.0
<p>Male insert for RJ45 patch cord <i>Inserto maschio per cordone RJ45</i></p> 				7701.3565.0
<p>Adapter for Molex RJ45 patch cord <i>Adattatore per cordone RJ45 Molex</i></p> 				7701.3566.0
<p>For frame S-M series <i>Per telai serie S-M</i></p>	<p>Dimensions in mm Part No. bold letters refer to standard availability. Normal letters refer to items on special request. <i>Dimensioni in mm I codici in grassetto indicano i prodotti di normale disponibilità. Il carattere normale indica i prodotti speciali su richiesta.</i></p>			Accessories, cable glands and tools see sections 50, 55 e 60 <i>Accessori, pressacavi ed attrezzi vedere sezioni 50, 55 e 60</i>

Technical characteristics	Caratteristiche tecniche
<p>For the transmission of clean and dry compressed air.</p> <p>Inserts:</p> <p>Numbers of pneumatic contacts: 2 Colour: Blue Material: Polycarbonate Limiting temperature: -40°C ... +80°C Flammability acc. to: UL94 - V 0 Mechanical working life: ≥ 500</p> <p>Pneumatic contacts:</p> <p>Material: Color: black</p> <p>Tube termination: Internal diameter (ID): 6,0 mm / 1/4" Working pressure: up to 8 bar / 116 psi</p> <p>Gasket:</p> <p>Material: Buna-N (Nitrile rubber)</p> <p>Shut off valve: Material: Polypropilene</p> <p>Using of code pins in connection with pneumatic modules is imperative.</p> <p>Remark:</p> <p>These pneumatic contacts are also suitable for the connection of liquids: however it must be stated that the combination of electrical and liquid connections in one connector is not allowed according the EN standards for safety reasons.</p>	<p>Per la trasmissione di aria compressa pulita e secca.</p> <p>Inserti:</p> <p>Numero di contatti pneumatici: 2 Colore: Blu Materiale: Policarbonato Limiti di temperatura: -40°C ... +80°C Autoestinguenza: UL94-V 0 Vita meccanica: ≥ 500 cicli</p> <p>Contatti pneumatici:</p> <p>Materiale: Colore: nero</p> <p>Terminazione per il tubo: Diametro interno (ID): 6,0 mm / 1/4" Pressione di lavoro: fino a 8 bar / 116 psi</p> <p>Guarnizioni:</p> <p>Materiale: Buna-N (Gomma nitrilica)</p> <p>Valvola di chiusura: Materiale: Polipropilene</p> <p><i>L'uso dei perni di codifica che fungono da guida è fortemente consigliato.</i></p> <p>Nota:</p> <p><i>Questi contatti pneumatici permettono anche il passaggio di liquidi, tuttavia le Norme EN non consentono, per motivi di sicurezza, la combinazione di inserti per la connessione elettrica con inserti per la trasmissione di liquidi nello stesso connettore.</i></p>

Insert, size 1 module for 2 pneumatic contacts male or female CE RoHS
 Inserto, grandezza 1 modulo per 2 contatti pneumatici maschio o femmina

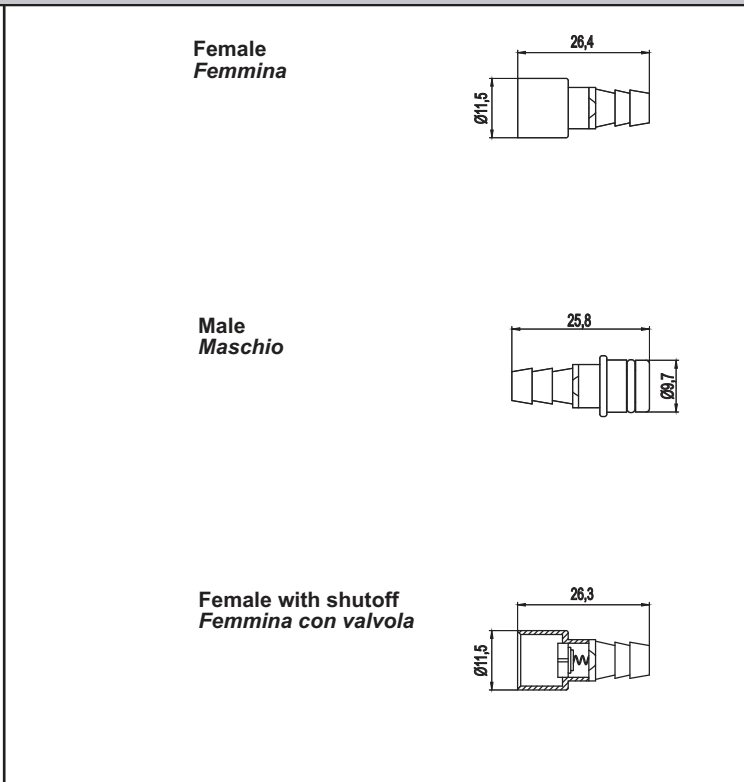
Part No.
Codice



7702.3530.0

Pneumatic contacts for tubes Internal Diameter 6 mm
 Contatti pneumatici per tubi di diametro interno 6 mm

Part No.
Codice



7700.3540.0


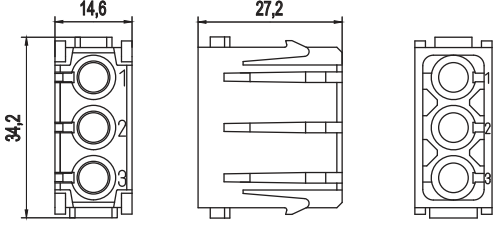

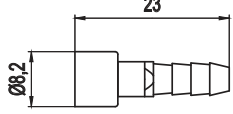
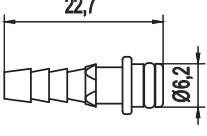
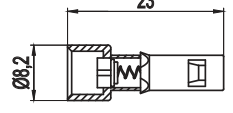
7700.3542.0


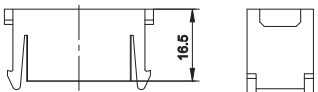
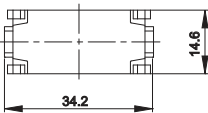
7700.3544.0

Shut off principle:
 In the disconnected position the spring integrated in the female contact is active, thus the O-ring of the valve seals the opening of the air-way.
 During the matching process, when the defined depth of insertion is reached the male contact press the spring, so that the air can pass.

Funzionamento della valvola "shut off":
 Quando il contatto pneumatico femmina è disconnesso, la molla integrata è attiva insieme alla guarnizione ed impedisce il passaggio dell'aria.
 Quando il contatto maschio pneumatico viene connesso, la molla viene compressa così da permettere il passaggio dell'aria

Technical characteristics	Caratteristiche tecniche
<p>For the transmission of clean and dry compressed air.</p> <p>Inserts:</p> <p>Numbers of pneumatic contacts: 3 Colour: Blue Material: Polycarbonate Limiting temperature: -40°C ... +80°C Flammability acc. to: UL94 - V 0 Mechanical working life: ≥ 500</p> <p>Pneumatic contacts:</p> <p>Material:</p> <p>Color: black</p> <p>Tube termination:</p> <p>Internal diameter (ID): 1,6 mm / 1/6" 3.0 mm 4.0 / 1.8"</p> <p>Working pressure: up to 8 bar / 116 psi</p> <p>Gasket:</p> <p>Material: Buna-N (Nitrile rubber)</p> <p>Shut off valve:</p> <p>Material: Polypropilene</p> <p>Using of code pins in connection with pneumatic modules is imperative.</p> <p>Remark:</p> <p>These pneumatic contacts are also suitable for the connection of liquids: however it must be stated that the combination of electrical and liquid connections in one connector is not allowed according the EN standards for safety reasons.</p>	<p>Per la trasmissione di aria compressa pulita e secca.</p> <p>Inserti:</p> <p>Numero di contatti pneumatici: 3 Colore: Blu Materiale: Polycarbonato Limiti di temperatura: -40°C ... +80°C Autoestinguenza: UL94-V 0 Vita meccanica: ≥ 500 cicli</p> <p>Contatti pneumatici:</p> <p>Materiale:</p> <p>Colore: nero</p> <p>Terminazione per il tubo:</p> <p>Diametro interno (ID): 1,6 mm / 1/6" 3.0 mm 4.0 / 1.8"</p> <p>Pressione di lavoro: fino a 8 bar / 116 psi</p> <p>Guarnizioni:</p> <p>Materiale: Buna-N (Gomma nitrilica)</p> <p>Valvola di chiusura:</p> <p>Materiale: Polipropilene</p> <p><i>L'uso dei perni di codifica che fungono da guida è fortemente consigliato.</i></p> <p>Nota:</p> <p><i>Questi contatti pneumatici permettono anche il passaggio di liquidi, tuttavia le Norme EN non consentono, per motivi di sicurezza, la combinazione di inserti per la connessione elettrica con inserti per la trasmissione di liquidi nello stesso connettore.</i></p>

Insert, size 1 module for 3 pneumatic contacts male or female <i>Inserto, grandezza 1 modulo per 3 contatti pneumatici maschio e femmina</i>				Part No. <i>Codice</i>
 <p>Please order pneumatic contacts separately <i>Contatti pneumatici da ordinare separatamente</i></p>	 <p>Numbering: 1 - 3 <i>Numerazione: 1 - 3</i></p>			7703.3548.0
	Pneumatic contacts for tubes <i>Contatti pneumatici per tubi di</i>	Internal Diameter 1.6, 3, 4 mm <i>diametro interno 1.6, 3, 4 mm</i>	F/M	Tube I.D. <i>Tubi D.I.</i>
	   <p>Female with shutoff <i>Femmina con valvola</i></p>	Female	mm	7700.3550.0
		Female	1,6	7700.3551.0
		Female	3,0	7700.3552.0
		Female	4,0	7700.3552.0
		Male	1,6	7700.3553.0
		Male	3,0	7700.3554.0
		Male	4,0	7700.3555.0
		Female	1,6	7700.3556.0
		Female	3,0	7700.3557.0
Female	4,0	7700.3558.0		
<p>Shut off principle: In the disconnected position the spring integrated in the female contact is active, thus the O-ring of the valve seals the opening of the air-way. During the matching process, when the defined depth of insertion is reached the male contact press the spring, so that the air can pass.</p> <p><i>Funzionamento della valvola "shut off": Quando il contatto pneumatico femmina è disconnesso, la molla integrata è attiva insieme alla guarnizione ed impedisce il passaggio dell'aria. Quando il contatto maschio pneumatico viene connesso, la molla viene compressa così da permettere il passaggio dell'aria</i></p>				

Description - Descrizione		Part No. Codice
  	<p>Dummy module: It allows to fill up module spaces not in use in the frame Material: Polycarbonate UL94 V-0</p> <p>Falso modulo: <i>Consente di coprire le sedi del telaio non utilizzate</i> Materiale: Policarbonato UL94 V-0</p>	<p>7703.3513.0</p>



*Design and
innovation*

Contents	Page Pagine	Sommario	Page Pagine
- Technical characteristics and application	16.02	- <i>Caratteristiche tecniche ed applicazioni</i>	16.02
- Design	16.03	- <i>Design</i>	16.03
- Types available and applications	16.04/.09	- <i>Tipi disponibili ed applicazioni</i>	16.04/.09
1 STD series		1 <i>Serie STD</i>	
2 STD-HV series		2 <i>Serie STD-HV</i>	
3 HE series		3 <i>Serie HE</i>	
4 HE-HV series		4 <i>Serie HE-HV</i>	
5 EMC series		5 <i>Serie EMC</i>	
6 HP-HE series		6 <i>Serie HP-HE</i>	
- Size and identification of the enclosures	16.10	- <i>Grandezze ed identificazioni delle custodie</i>	16.10
- Enclosures part no.	16.11	- <i>Codici delle custodie</i>	16.11
- Locking systems	16.12/.13	- <i>Sistemi di chiusura</i>	16.12/.13
1 Single locking system		1 <i>Sistema di chiusura singolo</i>	
2 Double locking system		2 <i>Sistema di chiusura doppio</i>	
3 Reversed double locking system		3 <i>Sistema di chiusura doppio rovesciato</i>	
- Housings	16.14	- <i>Custodie fisse</i>	16.14
1 Surface mounting housing with 1 or 2 side entries		1 <i>Custodie da parete con 1 o 2 ingressi laterali</i>	
2 Surface mounting housing high construction		2 <i>Custodie da parete, costruzione alta</i>	
3 Surface mounting housing with bottom entry		3 <i>Custodie da parete con ingresso sul fondo</i>	
4 Bulkhead mounting housing		4 <i>Custodie da incasso</i>	
5 Surface and bulkhead mounting with reversed locking		5 <i>Custodie da parete e da incasso con sistema di chiusura rovesciato</i>	
- Hoods	16.15	- <i>Custodie mobili</i>	16.15
1 SC: Standard		1 <i>Tipi SC: Costruzione standard</i>	
2 HC: High Construction		2 <i>Tipi HC: Costruzione alta</i>	
- Special enclosures	16.16	- <i>Custodie speciali</i>	16.16
- Covers	16.17	- <i>Coperchi</i>	16.17
- Cable glands for enclosures	16.18	- <i>Pressacavi per custodie</i>	16.18
- Cable glands for flat cables	16.19	- <i>Pressacavi per cavi piatti</i>	16.19
- Certifications	16.20/.21	- <i>Approvazioni</i>	16.20/.21
- Range and combinations of enclosure coupling	16.22/.24	- <i>Gamma e combinazioni di accoppiamento delle custodie</i>	16.22/.24

Technical characteristics and applications

Caratteristiche tecniche ed applicazioni

The enclosures are designed in conformance with EN61984 and ANSI/UL50, ANSI UL50E and CSA C22.2 No. 94.1-2
 Le custodie sono progettate in conformità alle norme EN61984 e ANSI/UL50, ANSI UL50E e CSA C22.2 No. 94.1-2

-Types available/ Tipi disponibili:

- STD :** For standard applications for inserts up to 250V or 500V
 Per applicazioni standard per inserti fino a 250V o 500V
- STD-HV :** For standard applications for inserts up to 830V
 Per applicazioni standard per inserti fino a 830V
- HE :** For harsh environmental requirements and inserts up to 250V or 500V
 Per ambienti aggressivi ed inserti fino a 250V o 500V
- HE-HV :** For harsh environmental requirements and inserts up to 830V
 Per ambienti aggressivi ed inserti fino a 830V
- EMC :** For applications that require electromagnetic compatibility (EMC), for inserts up to 500V
 Per applicazioni dove è richiesta la compatibilità elettromagnetica (EMC), per inserti fino a 500V
- HP-HE:** For harsh environmental with high performance
 Per ambienti aggressivi e con alte prestazioni

-Locking system with one lever or two levers
 Sistema di chiusura singolo con una leva o due leve

-Locking system with screws or bayonet type screws (HP-HE series)
 Sistema di chiusura con viti o con viti a baionetta (serie HP-HE)

-Metric or Pg thread available for Metric and Pg cable glands IP66, IP67 and IP68
 Sono disponibili filettature Metriche o Pg per pressacavi IP66, IP67 e IP68

-Enclosures with NPT threads are available on request for American market
 Custodie con filettature NPT sono disponibili su richiesta per il mercato americano

-For flat cables
 Per cavi piatti

-Degree of protection according to EN 60529 for coupled hood/housings with cable glands: IP66/IP67/IP68
 Grado di protezione secondo EN 60529 per custodie accoppiate e con pressacavi : IP66/IP67/IP68

-Class of protection in accordance to ANSI / UL50E Type 4,4x,12, NEMA 250 Type 4/4x/12 and type 4X/6p/12 (HP-HE series)
 Classe di protezione secondo ANSI / UL50E Type 4, 4x, 12, NEMA 250 Type 4/4x/12 e tipo 4X/6p/12 (serie HP-HE)

-Water jet with high pressure resistant according ISO20653/DIN40050-9 (IP69)
 Resistente ai getti d'acqua ad alta pressione secondo ISO20653/DIN40050-9 (IP69)

-Limiting temperature: - 40°C ÷ + 125 °C
 Temperatura di impiego: - 40°C ÷ + 125 °C

-SC - standard construction: with small dimensions
 SC - costruzione standard con dimensioni ridotte

-HC - high construction: bigger size for wider cable diameter
 HC - Costruzione alta per cavi di più grande diametro

-Certifications:
 Certificazioni:     

Material	STD	STD-HV	HE	HE-HV	HP-HE	EMC
Body Corpo	Die cast aluminium alloy - Also in polyamide for STD type Lega di alluminio pressofusa - Anche isolate in poliammide per tipo STD					
Surface Finitura superficiale	Polyester powder coating Verniciatura a polvere poliestere		Polyester powder coating Verniciatura a polvere poliestere		Surface with high conductivity Superficie ad alta conduttività	
Color Colore	Grey RAL 7037 Grigio RAL 7037		Black RAL 9005 Nero RAL 9005		Aluminium finishing Finitura alluminio naturale	
Pegs Perni	Stainless steel Acciaio inox					
Screws Viti	Stainless steel Acciaio inox					
Springs Molle	Stainless steel Acciaio inox					
Levers Leve	Galvanized steel or stainless steel Acciaio protetto galvanicamente o inox		Stainless steel Acciaio inox		Stainless steel Acciaio inox	
Gaskets Guarnizioni	NBR		NBR		Conductive elastomer Elastomero conduttivo	

Design	Design
<p>1 - Innovative Italian design with ergonomic round shape, patented. Easy handling, low operating force.</p> <p>2 - Smaller dimensions outside with no loss of internal space for cabling</p> <p>3 - Aluminium enclosures with monoblock metal levers for anti-ageing and no breaks (on plastic parts) Excellent sealing</p> <p>4 - Best performance and maximum reliability with stainless steel pegs rivetted on hoods, housings and covers. Best guarantee against breaking, corrosion and loss of IP protection. High number of operating cycles.</p> <p>Integrated pegs in the casting of the enclosures may become a source of weakness due to the material itself (aluminium alloy) and to corrosion when locked by the levers made with different materials. In fact the coating applied on the enclosures and on the integrated pegs easily disappears due to the high pressure applied during the locking and unlocking operations. With humidity, water and other liquids present in the industrial environment, the direct contact between metals with different electrochemical potential will cause corrosion, breaking, malfunctions and the loss of the IP protection degree.</p> <p>5 - Corrosion resistance</p> <p>6 - Fully compatible</p> <p>We guarantee the best performance and precise conformity with the standards when Molex inserts, enclosures and cable glands are used.</p> 	<p>1 - <i>Design Italiano innovativo per forma e soluzioni ergonomiche, brevettato. Facile manovrabilità e basso sforzo operativo</i></p> <p>2 - <i>Dimensioni esterne ridotte senza perdita di spazio per il cablaggio interno</i></p> <p>3 - <i>Custodie con leve metalliche monoblocco antinvecchiamento ed esenti da rotture (senza parti in plastica). Eccezionale tenuta IP</i></p> <p>4 - <i>Migliori caratteristiche e massima affidabilità con perni in acciaio inox rivettati sulle custodie sia fisse che mobili e sui coperchi. Massima garanzia contro rotture, corrosione e perdita della protezione IP. Alto numero di cicli operativi.</i></p> <p><i>I perni integrati nella fusione delle custodie possono essere causa di debolezza del sistema di chiusura perchè in lega di alluminio e per la corrosione che si genera quando in contatto con metalli diversi in determinate condizioni ambientali. Lo strato di vernice applicato sulle custodie e quindi anche sui perni integrati viene asportato facilmente durante le operazioni di chiusura e di sblocco delle leve a causa delle forti pressioni ed attriti in gioco, In presenza di umidità, acqua e altri liquidi sempre presenti negli ambienti industriali, il diretto contatto tra metalli di diverso potenziale elettrochimico genera corrosione e quindi malfunzionamenti, rotture e perdita del grado di protezione IP.</i></p> <p>5 - <i>Resistenza alla corrosione</i></p> <p>6 - <i>Completamente compatibili</i></p> <p><i>Si garantiscono le massime prestazioni e la perfetta rispondenza alle norme utilizzando inserti e custodie Molex.</i></p> 

Available types and applications	Tipi disponibili ed applicazioni
<p>Molex manufactures several "insulated" enclosures type made with thermoplastic material. They can be selected for applications limited at normal industrial applications at lower temperature limits. For more several applications Molex suggest the use of the metal enclosures made with alluminium alloy or other metals. The metal enclosures offer better performances such as higher impact strength, higher temperature limits, better age resistance and, much important, they are able to dissipate the heat generated internally the connector during the transfer of the current: They infact allow to reach the best inserts characteristics.</p> <p>1 - STD series standard version.</p> <p>For normal industrial environment with inserts up to 1000V</p> <p>Description:</p> <p>The STD series was developed for application in electric and electronic machinery, control units, electric panels, control equipment, industrial environments and wherever a sectional and reliable connection is required for power and signal circuits.</p> <p>Characteristics of materials used:</p> <p>1.1 - STD Series - Insulated</p> <ul style="list-style-type: none"> - For either indoor and outdoor use - Self extinguishing thermoplastic material in RAL 9002 Grey or Black RAL 9005. - Gaskets in anti-ageing, oil resistant, grease resistant and fuel resistant vinyl nitrile elastomer. - Monoblock locking device in self extinguishing thermoplastic material for insulating enclosures. <div style="text-align: center;">  </div>	<p><i>Molex produce diverse custodie di tipo "Isolato" realizzate con materiali termoplastici. Esse devono essere scelte per applicazioni in ambienti industriali normali con limiti di temperature più bassi. Per applicazioni più severe Molex suggerisce l'impiego delle custodie metalliche realizzate in lega di alluminio o altri metalli. Le custodie metalliche offrono migliori caratteristiche come una maggiore resistenza agli urti, all'invecchiamento ed impieghi con temperatura ambiente più alta. Esse consentono di dissipare il calore generato internamente al connettore durante il passaggio della corrente: esse permettono infatti di raggiungere le migliori caratteristiche degli inserti.</i></p> <p>1 - Serie STD versione standard</p> <p><i>Per ambienti industriali normali e per inserti fino a 1000V</i></p> <p>Descrizione:</p> <p><i>Serie studiata per l'equipaggiamento elettrico ed elettronico di macchinari, unità di controllo, quadri elettrici, apparecchiature di comando, in ambienti industriali e in genere ovunque sia richiesta una connessione sezionabile e affidabile per circuiti di potenza e di segnale.</i></p> <p><i>Caratteristiche dei materiali impiegati:</i></p> <p>1.1 - STD - Serie isolata:</p> <ul style="list-style-type: none"> - Per usi interni ed esterni - Materiale termoplastico autoestinguente colore grigio RAL 9002 o nero RAL 9005. - Guarnizioni in elastomero vinil-nitrile antinvecchiamento, resistenti agli olii, ai grassi, ai carburanti. - Dispositivo di chiusura monoblocco in materiale termoplastico autoestinguente. <div style="text-align: center;">  </div>

Available types and applications

1.2 - STD-Metal:

- For either indoor and outdoor use
- Die cast aluminium alloy
- Polyester powder coating
- Gaskets in anti-ageing, oil resistant, grease resistant and fuel resistant vinyl nitrile elastomer.
- Locking device with spring and pegs in stainless steel.
- Monoblock lever in Zinc-plated steel or stainless steel.



Tipi disponibili ed applicazioni

1.2 - STD - Metallica:

- Per usi interni ed esterni
- Lega di alluminio pressofusa
- Verniciatura a forno con polvere poliestere.
- Guarnizioni in elastomero vinil-nitrile antinvecchiamento, resistenti agli olii, ai grassi, ai carburanti.
- Dispositivo di chiusura, con molle e perni in acciaio inox.
- Leva monoblocco in acciaio zincato o inox.



Available types and applications

Tipi disponibili ed applicazioni

2 - STD-HV series

These series of metal enclosures are designed for those inserts as the series S-EHV screw, that request on higher insulation due to the higher working voltage (830V).

Description:

For either indoor and outdoor use
Application as per standard version.
The enclosures do not have tabs and allow the insertion of inserts with a rated voltage up to 830V.
The enclosures contain supplementary insulating strips.
This type version is necessary with inserts screw type for applications up to 830V.
The difference between the enclosures for application up to 500V and those up to 830V are displayed on page 04.01

Characteristics of materials used:

- Die cast aluminium alloy
- Polyester powder coating
- Gaskets in anti-ageing, oil resistant, grease resistant and fuel resistant vinyl nitrile elastomer.
- Locking device with spring and pegs in stainless steel.
- Lever: Zinc-plated steel or stainless steel.
- Supplementary insulation inside enclosures

2 - Serie STD-HV

Questa serie di custodie metalliche è stata progettata per quegli inserti, come quelli della serie S-EHV a vite, che richiedono un maggior isolamento dovuto alla più alta tensione di lavoro (830V).

Descrizione:

Per usi interni ed esterni
Per applicazioni come per la versione standard.
Le custodie sono sprovviste di nasello e consentono l'inserimento degli inserti con tensione nominale fino a 830V.
Montano inoltre all'interno strisce isolanti supplementari
Questa versione è necessaria con gli inserti con terminali a vite per applicazioni fino a 830V.
Le differenze tra le custodie per inserti fino a 500V e 830V sono illustrate a pagina 04.01.

Caratteristiche dei materiali impiegati:

- Lega di alluminio pressofusa
- Verniciatura a forno con polvere poliestere.
- Guarnizioni in elastomero vinil-nitrile antinvecchiamento, resistenti agli olii, ai grassi, ai carburanti.
- Leva monoblocco in acciaio zincato o inox
- Dispositivo di chiusura, con molle e perni in acciaio inox.
- Applicazione di isolamento supplementare interno alle custodie

Metal enclosures STD-HV and HE-HV series:

Special hood/housing for connector inserts S-EHV and S-HSB for applications up to 830V.
The inserts S-EHV crimp type can be also assembled with standard enclosures.

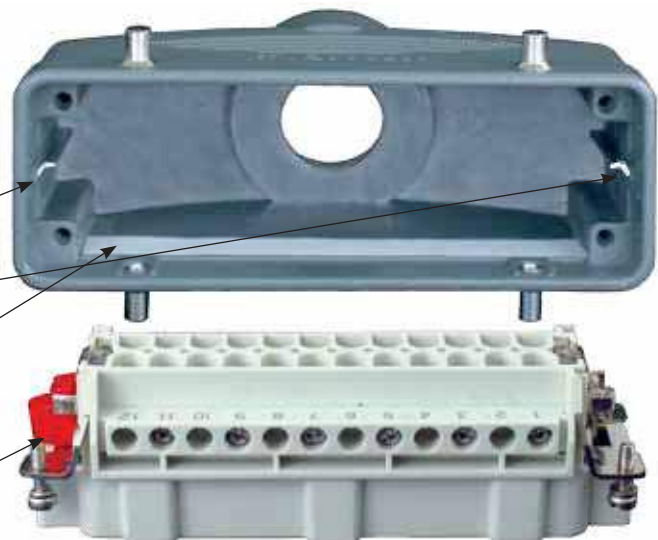
Custodie metalliche serie STD-HV e HE-HV:

Speciali custodie per inserti serie S-EHV e S-HSB per applicazioni fino a 830V.
Gli inserti S-EHV con contatti a crimpare possono essere assemblati anche con custodie standard.

Milled coding bar
Barra di codifica fresata

Supplementary insulation strips
Strisce isolanti supplementari

Stopper
Fermo



Available types and applications

Tipi disponibili ed applicazioni

3 - HE series

Description:

For both indoor and outdoor use
This series has been developed for industrial applications exposed to particularly aggressive external agents (e.g. salt atmospheres or environments).
These versions (HE and HE-HV) are distinguished by the black color of the enclosures.

Characteristics of materials used:

- SandBlasted die cast aluminium alloy.
- Chromate treated die cast.
- Polyester powder coated.
- Gaskets in anti-ageing, oil resistant, grease resistant and fuel resistant vinyl nitrile elastomer.
- Monoblock locking device (levers, springs and pegs) in stainless steel:



4 - HE - HV series

Description:

This series has been developed for industrial applications exposed to particularly aggressive external agents (e.g. salt atmosphere or environments), and for inserts with rated voltage up to 830V of series S-EHV screw.
These versions are distinguished by the black color of the enclosures.
The enclosures of HE-HV series do not have any internal tabs and allow the insertion of S-EHV series inserts with a rated voltage up to 830V.

Characteristics of materials used:

- SandBlasted die cast aluminium alloy.
- Chromate treated die cast.
- Polyester powder coated.
- Gaskets in anti-ageing, oil resistant, grease resistant and fuel resistant vinyl nitrile elastomer.
- Monoblock locking device levers, springs and pegs in stainless steel:
- Supplementary insulation inside enclosures: see page 04.01



3 - Serie HE

Descrizione:

Per usi interni ed esterni
Serie appositamente realizzata per applicazioni industriali ove siano presenti agenti esterni particolarmente aggressivi (es. atmosfere o ambienti salini, ecc.).
La versione è facilmente identificabile dal colore nero delle custodie.

Caratteristiche dei materiali impiegati:

- *Lega di alluminio pressofusa sabbiata.*
- *Trattamento di cromatazione della pressofusione.*
- *Verniciatura a forno con polvere poliestere.*
- *Guarnizioni in elastomero vinil-nitrile antinvecchiamento, resistenti agli olii, ai grassi, ai carburanti.*
- *Dispositivo di chiusura, con leve monoblocco molle e perni in acciaio inox.*



4 - Serie HE - HV

Descrizione:

Serie appositamente realizzata per applicazioni industriali ove siano presenti agenti esterni particolarmente aggressivi (es. atmosfere o ambienti salini, ecc.) e per inserti con tensione nominale fino a 830V della serie S-EHV con terminali a vite.
La versione è facilmente identificabile dal colore nero delle custodie.
Le custodie sono sprovviste di nasello e consentono l'inserimento degli inserti con tensione nominale fino a 830V della serie S-EHV

Caratteristiche dei materiali impiegati:

- *Lega di alluminio pressofusa sabbiata.*
- *Trattamento di cromatazione della pressofusione.*
- *Verniciatura a forno con polvere poliestere.*
- *Guarnizioni in elastomero vinil-nitrile antinvecchiamento, resistenti agli olii, ai grassi, ai carburanti.*
- *Dispositivo di chiusura, con leve monoblocco molle e perni in acciaio inox.*
- *Isolamento supplementare interno alle custodie: vedere pagina 04.01.*



Available types and applications

Tipi disponibili ed applicazioni

5 - EMC and HP-EMC series

Description:

This series has been developed for industrial applications that require electromagnetic compatibility (EMC, Electromagnetic Compatibility), in accordance with the European Directive EMC 2004/108/EC that regulates the emission and the immunity of the equipments.

The Multipole Industrial Connectors (MIC) are electromechanical passive components that do not generate EMI (Electromagnetic Interferences). The connectors are also not effected by the EMI in their normal function.

Due to this fact, these connectors are not requested to meet European Directive 2004/108/CE (Electromagnetic Compatibility) that regulate the emission and the immunity of the electrical and electronic equipments.

Therefore the CE mark is not requested for the Electromagnetic Compatibility but for the Low Voltage Device (LVD) Directive.

Molex developed the enclosures EMC type for the industrial machines manufacturers to help the designers to meet the Electromagnetic Compatibility performances regulated by the EMC Directive.

A wide range of EMC enclosures (type and size for all inserts) is available.

The version is distinguished by the sand blasted aluminium natural color of the enclosures (EMC series) or nickel plated finishing or black nickel plating (HP-EMC series).

Characteristics of materials used:

- Die cast aluminium alloy
- Chromate treated die cast with high surface conductivity
- Special gaskets in high conductive material
- Locking device with the, springs and pegs in stainless steel
- Monoblock levers in stainless steel

Notes:

30 years ago space was crossed by high intensity electromagnetic waves from 50 Hz to a few hundred MHz, and there were gaps with a low level of intensity especially at the highest frequencies.

Today due to the new technologies, especially those related to mobile phones and wireless communications and electronic and electrical equipments that we can find everywhere in home and industrial environment, the electron field in which we are immersed has become practically white.

This means that space is fully occupied by electromagnetic waves with high intensity, which can even reach 10 GHz and more.

In a radiated electromagnetic field (i.e. transmitter far away from the receiver) the shielding is obtained by reflecting the wave: the efficiency of this system depends on the difference on the impedance between the space and the shield.

For example the impedance of the air is about few hundreds Ohm, while the impedance of copper is about one million time less. That is the conductivity of the copper is one million time higher than the conductivity of the empty space.

Even don't taking into consideration the enclosures geometric characteristics (for example, we should consider that waves can penetrate inside the enclosure through gaps), it's necessary that the shield has the minimum electrical resistance in order to achieve high reflection results.

At the highest frequency (some hundreds KHz and more) the skin effect limits the signal penetration and facilitates the assignment of the shield. The skin effect makes the conductivity of the material used for the shield and the conductivity of the surface important.

With lower frequency the thickness of the shield becomes important as well.

The Molex enclosures, EMC series, are made of aluminium material to guarantee the best EMC characteristics and the other characteristics necessary in industrial environments.



5 - Serie EMC e HP-EMC

Descrizione:

Serie appositamente realizzata per applicazioni industriali ove sia richiesta la compatibilità elettromagnetica (EMC, Electromagnetic Compatibility) secondo la Direttiva Europea EMC 2004/108/CE che regola le emissioni e le immunità degli apparecchi.

I connettori sono componenti passivi: essi non generano disturbi elettromagnetici né sono disturbati nella propria funzione. Presi a sé, pertanto non rientrano nel campo di applicazione della Direttiva Europea 2004/108/CE Compatibilità Elettromagnetica, che regola le emissioni e l'immunità degli apparecchi elettrici/elettronici. La marcatura CE dei connettori non è perciò richiesta per gli aspetti EMC, ma in quanto Componenti a Bassa Tensione che devono rispettare la Direttiva LVD (Low Voltage Devices).

Molex ha sviluppato per i costruttori di macchine la serie di custodie EMC atta ad aiutare il progettista a soddisfare i requisiti di Compatibilità Elettromagnetica richiesti dalla direttiva EMC.

Sono disponibili custodie EMC pressoché di tutte le tipologie e grandezze.

Esse si distinguono dal colore naturale dell'alluminio e dalla finitura sabbiata (serie EMC) o hanno la superficie nichelata colore nickel naturale o nero (serie HP-EMC)

Caratteristiche dei materiali impiegati:

- Lega di alluminio pressofusa
- Trattamento di cromatazione della pressofusione ad elevata conduttività superficiale
- Guarnizioni speciali in materiale altamente conduttivo
- Dispositivo di chiusura, con molle e perni in acciaio inox.
- Leve monoblocco in acciaio inox.

Note:

La schermatura è una necessità assoluta oggi più che mai: se trent'anni or sono lo spazio era attraversato da onde elettromagnetiche di intensità rilevante dai 50Hz a qualche centinaio di MHz, ma con grandi lacune e con livelli normalmente modesti soprattutto alle frequenze più alte, oggi le tecnologie legate (tra l'altro, ma non solo) ai cellulari ed ai protocolli di comunicazione wireless hanno reso sostanzialmente "bianco" lo spettro elettromagnetico in cui siamo immersi, con estensioni significative fin sopra i 10 GHz. Per campi elettromagnetici radiati (emettitore lontano dal ricevitore) la schermatura si ottiene per riflessione dell'onda, e questo meccanismo è tanto più efficiente quanto più è elevato il salto tra l'impedenza intrinseca del mezzo in cui l'onda si propaga e quello dello schermo. Tale grandezza dipende fondamentalmente dalla conducibilità, e per dare un'idea vale alcune centinaia di Ohm nell'aria e circa un milione di volte meno nel rame. Trascurando gli aspetti geometrici (se un contenitore ha delle aperture, le onde vi si possono propagare) per avere un buon effetto di riflessione è necessario che lo schermo presenti la più bassa resistenza possibile. Alle frequenze elevate (da qualche centinaio di KHz in su) l'effetto pelle limita la penetrazione del segnale, ed agevola quindi il compito dello schermo, ma proprio il confinamento superficiale rende importante la qualità intrinseca del materiale usato. Invece alle frequenze basse conta molto anche lo spessore.

Le custodie Molex della serie EMC sono costruite in lega di alluminio tale da garantire le migliori caratteristiche indicate qui sopra.

La finitura delle superfici è tale da garantire le altre caratteristiche necessarie per le applicazioni in ambienti industriali.



Available types and applications

**6 - HP-HE series (High Performance)
HP-EMC serie (High performance for EMC)**

Description:

This series has been developed for electrical external interconnection on vehicles, railways and for any other applications where particularly harsh environmental resistance, mechanical resistance and IP68/IP69 protection degree are required.

The enclosures of HP-HE series have bigger dimensions than the other series that accept the same type of inserts. They are suitable for inserts with high rated voltage, particularly used in railway applications.

The series accept all the inserts with size 3A«21x21» and B sizes 6B «44x27», 10B «57x27», 16B «77x27» and 24B «104x27».

Characteristics of material used:

- Die cast aluminium alloy corrosion resistant
- Cromated treated die cast
- Polyester powder coated
- Gaskets in anti-ageing, oil resistant, grease resistant and fuel resistant vinyl nitrile elastomer.
- Screws for locking or toggle locking (bayonet type), in stainless steel material.

NEMA Type 4/6p/12



IP68/IP69 (EN 60529)
More details on pages 30.01 and 30.02

Tipi disponibili ed applicazioni

**6 - Serie HP-HE (High Performance)
Serie HP-HE (High Performance per EMC)**

Descrizione:

Serie utilizzata in connessioni elettriche esterne nei veicoli, nel settore ferroviario, ed in ogni altra applicazione dove sono richieste particolari resistenze agli ambienti aggressivi, alle sollecitazioni meccaniche, grado di protezione IP68/IP69.

Le custodie della serie HP-HE hanno dimensioni più grandi rispetto le altre serie che accettano inserti della medesima grandezza. Esse sono adatte per inserti con tensioni di lavoro molto alte, in applicazioni principalmente in campo ferroviario. La serie accetta tutti gli inserti di grandezza 3A«21x21», 6B «44x27», 10B «57x27», 16B «77x27» e 24B «104x27».

Caratteristiche dei materiali impiegati:

- Lega di alluminio pressofusa resistente alla corrosione
- Lega di zinco per le custodie grandezza 3A«21x21»
- Guarnizioni in elastomero vinil-nitrile antinvecchiamento, resistenti agli olii, ai grassi, ai carburanti.
- Dispositivo di chiusura tramite viti o tramite speciali viti per il bloccaggio a baionetta in acciaio inox

NEMA Type 4/6p/12



IP68/IP69 (EH 60529)
Maggiori dettagli alle pagine 30.01 e 30.02

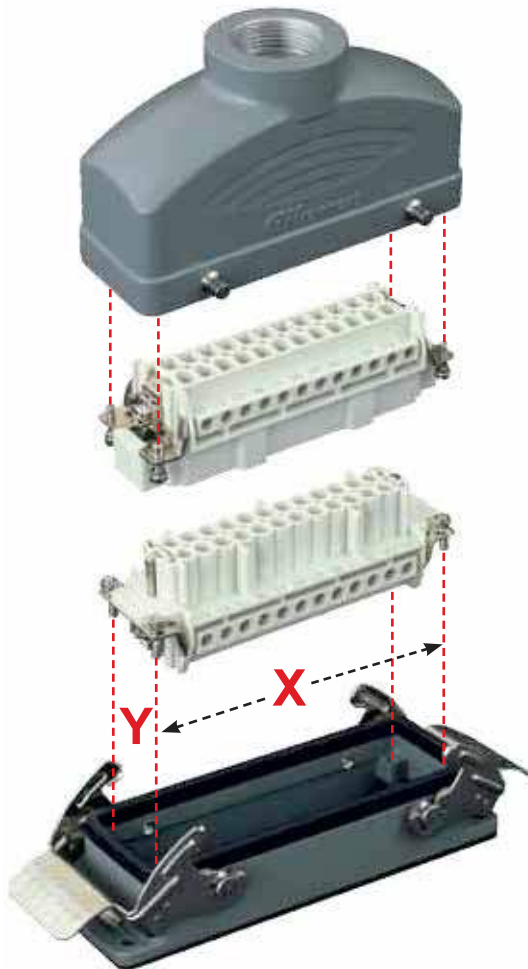
Size and identification of enclosures

There are a large number of connector inserts and their relative enclosures so the selection of a correct combination may be complex.

To facilitate this operation as well as the normal item/part No., a further identification parameter has been introduced: the "size" value.

The "Size" value refers to the screw fixing centre distances which constitute a unique element since they are common to both the inserts in the enclosure. This is as indicated in the illustration on the left and the table below.

The table here following shows all the sizes of the enclosures and the dimensions of the housings where the inserts will be fastened.



CA US Type 4/4x/12

CS US Type 4/4x/12

Grandezze ed identificazione delle custodie

Gli inserti e le relative custodie sono numerosi e pertanto la relativa ricerca del perfetto accoppiamento dell'uno sull'altra può risultare complesso.

Per facilitare l'operazione suddetta oltre al normale codice identificativo dell'articolo, è stata introdotta la definizione di "Grandezza".

Quest'ultima, come indicato nell'immagine a lato e nella tabella qui di seguito, è riferita agli interassi di fissaggio, i quali, essendo comuni sia agli inserti che alle custodie, costituiscono un elemento inequivocabile per la selezione.

La tabella riporta tutte le "Grandezze" delle custodie e le dimensioni delle sedi di fissaggio degli inserti.

Type Tipo	Enclosure "size" identification "Grandezze" delle custodie identificazione	Housing space for inserts with screw fixing centre distance x-y Sede per inserti con interasse fissaggio x-y
3A	«21 x 21»	(21 x 21mm) *
10A	«49 x 16»	49,5 x 16 mm
16A	«66 x 16»	66 x 16 mm
32A	«66 x 40»	66 x 40 mm (2 inserts)
6B	«44 x 27»	44 x 27 mm
10B	«57 x 27»	57 x 27 mm
16B	«77 x 27»	77,5 x 27 mm
24B	«104 x 27»	104 x 27 mm
32B	«77 x 62»	77,5 x 27 mm (2 inserts)
48B	«104 x 62»	104 x 27 mm (2 inserts)
QD	«32 x 13»	32,2 x 13,4 mm
1M	«34.2 x 14.6»	34,2 x 14,6 mm

* With dimensions relative to the size of the sectioned inserts the screw fixing centre distance cannot be given because they only have one screw.

* Dimensioni relative all'ingombro degli inserti in sezione non potendo identificare un interasse di fissaggio perché forniti di unica vite.

Labelling: We suggest to use "Cast vinyl lable" with high flexibility and conformability for thermal transfer printing.

Etichettatura: Sugeriamo l'impiego di etichette in PVC fuso ad alta flessibilità e conformabilità sovrastampabili a trasferimento termico.

Enclosures Part No.	Codice delle custodie																																																																																				
<p>To facilitate the identification of the several versions of the enclosures, some digits of the part No. have a meaning in accordance with the following rules:</p> <p>Part No.:</p> <p>78XX.ABCD.Y</p> <p>78: Indicates the enclosures</p> <p>XX: Indicates the size in accordance with the following</p> <table border="0"> <tr><td>XX = 01</td><td>Size 1M «34.2x14.6»</td></tr> <tr><td>XX = 03</td><td>Size 3A «21x21»</td></tr> <tr><td>XX = 06</td><td>Size 6B «44x27»</td></tr> <tr><td>XX = 08</td><td>Size QD «32x13»</td></tr> <tr><td>XX = 10</td><td>Size 10A «49x16» and 10B «57x27»</td></tr> <tr><td>XX = 13</td><td>Pg11 size 3A «21x21»</td></tr> <tr><td>XX = 16</td><td>Size 16A «66x16» and 16B «77x27»</td></tr> <tr><td>XX = 24</td><td>Size 24B «104x27»</td></tr> <tr><td>XX = 32</td><td>Size 32A «66x40» and 32B «77x62»</td></tr> <tr><td>XX = 48</td><td>Size 48B «104x62»</td></tr> </table> <p>ABCD: serial number without any particular meaning</p> <p>Y: Indicates the version in accordance the following</p> <table border="0"> <tr><td>Y = 0</td><td>STD series</td></tr> <tr><td>Y = 1</td><td>HE series or insulated type black color</td></tr> <tr><td>Y = 2</td><td>STD-HV series for 830V inserts</td></tr> <tr><td>Y = 3</td><td>HE-HV series for 830V inserts or HP-HE series</td></tr> <tr><td>Y = 4</td><td>EMC and HP-EMC series</td></tr> <tr><td>Y = 5</td><td>Hoods STD series without threaded fitting</td></tr> <tr><td>Y = 6</td><td>Hoods HE series without threaded fitting</td></tr> <tr><td>Y = 7</td><td>Hoods STD-HV series for 830V inserts without threaded fittings</td></tr> <tr><td>Y = 8</td><td>Hoods HE-HV series for 830V inserts without threaded fittings or HP-HE serie</td></tr> <tr><td>Y = 9</td><td>Hoods EMC without threaded fitting</td></tr> <tr><td>Y = A, B, etc</td><td>Special types</td></tr> </table> <p>Note: Part No. bold letters refer to standard availability. Normal letters refer to items on special request.</p>	XX = 01	Size 1M «34.2x14.6»	XX = 03	Size 3A «21x21»	XX = 06	Size 6B «44x27»	XX = 08	Size QD «32x13»	XX = 10	Size 10A «49x16» and 10B «57x27»	XX = 13	Pg11 size 3A «21x21»	XX = 16	Size 16A «66x16» and 16B «77x27»	XX = 24	Size 24B «104x27»	XX = 32	Size 32A «66x40» and 32B «77x62»	XX = 48	Size 48B «104x62»	Y = 0	STD series	Y = 1	HE series or insulated type black color	Y = 2	STD-HV series for 830V inserts	Y = 3	HE-HV series for 830V inserts or HP-HE series	Y = 4	EMC and HP-EMC series	Y = 5	Hoods STD series without threaded fitting	Y = 6	Hoods HE series without threaded fitting	Y = 7	Hoods STD-HV series for 830V inserts without threaded fittings	Y = 8	Hoods HE-HV series for 830V inserts without threaded fittings or HP-HE serie	Y = 9	Hoods EMC without threaded fitting	Y = A, B, etc	Special types	<p><i>Per facilitare l'identificazione dei diversi modelli di custodie, alcuni numeri che compongono il codice hanno un significato secondo le seguenti regole:</i></p> <p><i>Codice:</i></p> <p>78XX.ABCD.Y</p> <p>78: Indica le custodie</p> <p>XX: Indica la grandezza secondo lo schema seguente</p> <table border="0"> <tr><td>XX = 01</td><td>Grandezza 1M «34.2x14.6»</td></tr> <tr><td>XX = 03</td><td>Grandezza 3A «21x21»</td></tr> <tr><td>XX = 06</td><td>Grandezza 6B «44x27»</td></tr> <tr><td>XX = 08</td><td>Grandezza QD «32x13»</td></tr> <tr><td>XX = 10</td><td>Grandezza 10A «49x16» e 10B «57x27»</td></tr> <tr><td>XX = 13</td><td>Grandezza A3 «21x21» Pg11</td></tr> <tr><td>XX = 16</td><td>Grandezza 16A «66x16» e 16B «77x27»</td></tr> <tr><td>XX = 24</td><td>Grandezza 24B «104x27»</td></tr> <tr><td>XX = 32</td><td>Grandezza 32A «66x40» e 32B «77x62»</td></tr> <tr><td>XX = 48</td><td>Grandezza 48B «104x62»</td></tr> </table> <p>ABCD: numeri per la codifica senza particolare significato</p> <p>Y: Indica la versione secondo lo schema seguente:</p> <table border="0"> <tr><td>Y = 0</td><td>Serie STD</td></tr> <tr><td>Y = 1</td><td>Serie HE o tipo isolato colore nero</td></tr> <tr><td>Y = 2</td><td>Serie STD-HV per inserti 830V</td></tr> <tr><td>Y = 3</td><td>Serie HE-HV per inserti 830V o HP-HE</td></tr> <tr><td>Y = 4</td><td>Serie EMC o HP-EMC</td></tr> <tr><td>Y = 5</td><td>Custodie mobili serie STD senza raccordo filettato</td></tr> <tr><td>Y = 6</td><td>Custodie mobili serie HE senza raccordo filettato</td></tr> <tr><td>Y = 7</td><td>Custodie mobili serie STD-HV per inserti 830V senza raccordo filettato</td></tr> <tr><td>Y = 8</td><td>Custodie mobili serie HE-HV per inserti 830V senza raccordo filettato, o serie HP-HE</td></tr> <tr><td>Y = 9</td><td>Custodie mobili serie EMC senza raccordo filettato</td></tr> <tr><td>Y = A, B, ecc.</td><td>Tipi speciali</td></tr> </table> <p>Nota: <i>I codici in grassetto indicano i prodotti di normale disponibilità. Il carattere normale indica i prodotti speciali su richiesta.</i></p>	XX = 01	Grandezza 1M «34.2x14.6»	XX = 03	Grandezza 3A «21x21»	XX = 06	Grandezza 6B «44x27»	XX = 08	Grandezza QD «32x13»	XX = 10	Grandezza 10A «49x16» e 10B «57x27»	XX = 13	Grandezza A3 «21x21» Pg11	XX = 16	Grandezza 16A «66x16» e 16B «77x27»	XX = 24	Grandezza 24B «104x27»	XX = 32	Grandezza 32A «66x40» e 32B «77x62»	XX = 48	Grandezza 48B «104x62»	Y = 0	Serie STD	Y = 1	Serie HE o tipo isolato colore nero	Y = 2	Serie STD-HV per inserti 830V	Y = 3	Serie HE-HV per inserti 830V o HP-HE	Y = 4	Serie EMC o HP-EMC	Y = 5	Custodie mobili serie STD senza raccordo filettato	Y = 6	Custodie mobili serie HE senza raccordo filettato	Y = 7	Custodie mobili serie STD-HV per inserti 830V senza raccordo filettato	Y = 8	Custodie mobili serie HE-HV per inserti 830V senza raccordo filettato, o serie HP-HE	Y = 9	Custodie mobili serie EMC senza raccordo filettato	Y = A, B, ecc.	Tipi speciali
XX = 01	Size 1M «34.2x14.6»																																																																																				
XX = 03	Size 3A «21x21»																																																																																				
XX = 06	Size 6B «44x27»																																																																																				
XX = 08	Size QD «32x13»																																																																																				
XX = 10	Size 10A «49x16» and 10B «57x27»																																																																																				
XX = 13	Pg11 size 3A «21x21»																																																																																				
XX = 16	Size 16A «66x16» and 16B «77x27»																																																																																				
XX = 24	Size 24B «104x27»																																																																																				
XX = 32	Size 32A «66x40» and 32B «77x62»																																																																																				
XX = 48	Size 48B «104x62»																																																																																				
Y = 0	STD series																																																																																				
Y = 1	HE series or insulated type black color																																																																																				
Y = 2	STD-HV series for 830V inserts																																																																																				
Y = 3	HE-HV series for 830V inserts or HP-HE series																																																																																				
Y = 4	EMC and HP-EMC series																																																																																				
Y = 5	Hoods STD series without threaded fitting																																																																																				
Y = 6	Hoods HE series without threaded fitting																																																																																				
Y = 7	Hoods STD-HV series for 830V inserts without threaded fittings																																																																																				
Y = 8	Hoods HE-HV series for 830V inserts without threaded fittings or HP-HE serie																																																																																				
Y = 9	Hoods EMC without threaded fitting																																																																																				
Y = A, B, etc	Special types																																																																																				
XX = 01	Grandezza 1M «34.2x14.6»																																																																																				
XX = 03	Grandezza 3A «21x21»																																																																																				
XX = 06	Grandezza 6B «44x27»																																																																																				
XX = 08	Grandezza QD «32x13»																																																																																				
XX = 10	Grandezza 10A «49x16» e 10B «57x27»																																																																																				
XX = 13	Grandezza A3 «21x21» Pg11																																																																																				
XX = 16	Grandezza 16A «66x16» e 16B «77x27»																																																																																				
XX = 24	Grandezza 24B «104x27»																																																																																				
XX = 32	Grandezza 32A «66x40» e 32B «77x62»																																																																																				
XX = 48	Grandezza 48B «104x62»																																																																																				
Y = 0	Serie STD																																																																																				
Y = 1	Serie HE o tipo isolato colore nero																																																																																				
Y = 2	Serie STD-HV per inserti 830V																																																																																				
Y = 3	Serie HE-HV per inserti 830V o HP-HE																																																																																				
Y = 4	Serie EMC o HP-EMC																																																																																				
Y = 5	Custodie mobili serie STD senza raccordo filettato																																																																																				
Y = 6	Custodie mobili serie HE senza raccordo filettato																																																																																				
Y = 7	Custodie mobili serie STD-HV per inserti 830V senza raccordo filettato																																																																																				
Y = 8	Custodie mobili serie HE-HV per inserti 830V senza raccordo filettato, o serie HP-HE																																																																																				
Y = 9	Custodie mobili serie EMC senza raccordo filettato																																																																																				
Y = A, B, ecc.	Tipi speciali																																																																																				

Locking systems

There are two main systems for locking together the hoods on the housings in order to protect the connector inserts inside and guarantee the IP degree:

- **Single locking system (one lever locked on 2 pegs)**
- **Double locking system (two levers locked on 4 pegs)**

The best choice depends on the layout of each application and by the room available.

Molex guarantees the IP degree for enclosures with both systems, nevertheless the double locking system with two levers is preferable as mechanically stronger and with better shock resistance.

As the size of some enclosures are too small the double locking system isn't available for size 3A «21x21», 10A «49x16», 16A «66x16» and 6B «44x27».



- **Reversed double locking system (two levers)**

This system uses two levers as the standard double locking system but as the locking occurs by pushing on the levers the risk of unwanted opening is limited



With this locking system housings have pegs while hoods have levers.

Sistemi di chiusura

Ci sono due principali sistemi di chiusura tra custodie fisse e mobili che devono proteggere i connettori all'interno e garantire il grado di IP:

- **Sistema di chiusura a singola leva (con 2 perni)**
- **Sistema di chiusura a doppia leva (con 4 perni)**

La scelta migliore dipende dalla disposizione in ciascuna applicazione e dallo spazio disponibile.

Molex garantisce il grado IP delle custodie con entrambi i sistemi di chiusura, tuttavia il sistema di chiusura con doppia leva è preferibile perché meccanicamente più robusto e maggiormente resistente agli urti.

Le dimensioni di alcune custodie sono troppo piccole per consentire l'impiego del sistema di chiusura doppio, pertanto quest'ultimo non è disponibile per le custodie di grandezza 3A «21x21», 10A «49x16», 16A «66x16» e 6B «44x27».



- **Sistema di chiusura doppio rovesciato (due leve)**

Questo sistema usa due leve come il sistema di chiusura doppio standard ma dato che la chiusura avviene spingendo sulle leve il rischio di aperture indesiderate è limitato



Con questo sistema di chiusura le custodie fisse sono fornite di perni mentre le custodie mobili di leve.

Locking systems

- With screws or toggle locking system

The locking systems are used in the series HP-HE and HP-EMC to meet the High Performances and the IP68 protection degree requested in some particular heavy duty applications such as railways, heavy industry or boats.



Sistemi di chiusura

- Sistema di chiusura a viti o a baionetta.

Questi sistemi di chiusura sono usati nelle custodie della serie HP-HE e HP-EMC per raggiungere le elevate caratteristiche ed il grado di protezione IP68 richieste in applicazioni particolarmente severe come nel ferroviario, nell'industria pesante o nelle costruzioni navali.



Housings

Custodie fisse

There are several different types:

- 1 - Surface mounting housings with 1 or 2 side cable/tube entries with or without cover
- 2 - High construction version of surface mounting housings with 1 or 2 side cable entries are constructed to be used with the largest diameter of cables and tubes
- 3 - Surface mounting housings with bottom entry.
In case the cabinet does not meet the necessary IP degree of protection, this model can replace the bulkhead mounting housing



- 4 - Bulkhead mounting housings: several models of bulkhead mounting housings are available with 1 or 2 levers, with and without cover and with screws or toggle locking HP-HE series.
In the bulkhead housings we use especially designed gaskets to permit an easy assembly on panel and the drain of liquids, mist and pollutants.



- 5 - Surface mounting housings and bulkhead housings with reversed locking system.
With this locking system, housings are provided with pegs instead of levers assembled on hoods. Available with and without cover.



Sono disponibili diversi modelli:

- 1 - Custodie da parete con 1 o 2 ingressi laterali per cavi o tubi con o senza coperchio
- 2 - Custodie da parete con 1 o 2 ingressi costruzione alta, per cavi o tubi di grande diametro
- 3 - Custodie da parete con un ingresso sul fondo.
Quando l'armadio non è costruito secondo il grado IP necessario questi modelli possono sostituire le custodie fisse da incasso.



- 4 - Custodie da incasso: sono disponibili diversi modelli di custodie da incasso con chiusure con una o due leve con e senza coperchio e con chiusura con viti o a baionetta serie HP-HE.
Per facilitare l'assemblaggio delle custodie da incasso sul pannello vengono utilizzate speciali guarnizioni che consentono anche il drenaggio di liquidi ed altri inquinanti.



- 5 - Custodie da parete e da incasso con sistema di chiusura doppio rovesciato.
Con questo sistema di chiusura le custodie fisse sono provviste di perni invece che di leve che sono assemblate, in questo caso, sulle custodie mobili. Disponibili con o senza coperchio



Hoods

1 - Standard type

They are smaller with an ergonomic round shape especially designed to be used with IP66 metal cable glands (section 50.xx).

Types with top and side entry are available.

Available with pegs to be connected onto the housings and onto the mobile hoods with gaskets and levers for in line extension cables



2 - HC types - High construction

These hoods are higher with wider space inside allowing connections and locking of bigger cables and wires.

These models are with the threaded fitting to be used especially with IP66 metal cable glands. Models without threaded fitting should be used with IP68 metal cable glands (section 50.xx) .

Top and side entry are available.

With pegs to be connected onto the housings and onto the mobile hoods with gaskets and levers for in line extension cables



3 - Hoods with screws or toggle locking system



Custodie mobili

1 - Tipi standard

Queste custodie sono più piccole, di forme arrotondate ed ergonomiche, progettate per utilizzare in particolare pressacavi IP66 metallici (sezione 50.xx).

Sono disponibili modelli con ingresso sia orizzontale che verticale.

Con perni per accoppiamenti a custodie fisse e/o mobili con guarnizioni e leve per cavi di prolunga.



2 - Tipi HC - Costruzione alta

Queste custodie sono più alte, con spazio interno maggiore, consentendo la connessione di cavi e conduttori di più grande diametro.

Questi modelli sono provvisti di raccordo metallico in particolare per l'impiego con pressacavi metallici IP66 .

I modelli senza raccordo sono raccomandati per pressacavi metallici IP68 (sezione 50.xx).

Sono disponibili sia con ingresso verticale che orizzontale.

Con perni per accoppiamenti a custodie fisse e/o mobili con leve per connessioni volanti per cavi di prolunga.



3 - Custodie mobili con sistema di chiusura con viti o a baionetta



Special enclosures

Custodie speciali

- 1- Hoods with double top or frontal cable entries, they allow to connect 2 cables with one hood/connector
- 2- Hoods/housings with locking central lever allow the enclosures to be assembled with particular space saving in special applications or devices.
- 3- Hoods with cable glands for flat cables. These hoods assembled to the special cable glands permit the using of flat cables with width/thickness high ratio.



- 4- Housings with automatic cover

These housings are provided with a special closing system that allows the automatic fastening of the cover, so that the IP66 degree is automatically achieved.

When for any reason (transport, maintenance, cleaning, etc.) the operator disconnects the mobile connector from the machine, he has to protect the insert of the fixed connector applying and locking the cover with the lever of the mechanical locking system. This has to be done to avoid that further operations may damage the fixed connector and/or the electrical equipment if bulkhead housing are used. The new Molex housings with automatic cover fully automatically protect the fixed connectors and the electrical equipments on which they are assembled as soon as the mobile connector is disconnected.



- 1- Custodie mobili con ingresso cavo doppio verticale o frontale, permettono di collegare 2 cavi tramite una custodia/connettore
- 2- Custodie con sistema di chiusura a leva singola centrale, consentono di assemblare le custodie risparmiando spazio in particolari applicazioni.
- 3- Custodie con pressacavi per cavi piatti. Queste custodie, abbinare ai pressacavi speciali, consentono l'impiego di cavi piatti con un alto rapporto larghezza/spessore.



- 4- Custodie con coperchio con chiusura automatica.

Le custodie fisse sono provviste di uno speciale sistema di chiusura che permette di ottenere la chiusura automatica del coperchio con grado di protezione IP66. Quando l'operatore scollega il connettore mobile dalla macchina per una qualsiasi ragione, trasporto, manutenzione, pulizia, ecc., deve proteggere l'inserto del connettore fisso applicando e chiudendo il coperchio con la leva del sistema di chiusura meccanico: questo per evitare che le successive operazioni siano la causa di seri danni al connettore stesso ed alla apparecchiatura elettrica collegata se viene usata una custodia da incasso. Le nuove custodie Molex con coperchio con chiusura automatica proteggono il connettore fisso e le apparecchiature elettriche dove sono assemblate in modo completamente automatico intervenendo non appena il connettore mobile viene disconnesso.



Covers

The covers when coupled on to the enclosures and locked by the levers assure the IP66 degree of protection, moreover they mechanically protect the internal connection temporarily not used.

Molex offer metal covers only, because the thermoplastic material versions are cheaper but not strong enough and do not offer the same performance as the metal ones.

There are two families of covers availables:

1 - Covers integrated on housings

2 - Individual covers to be assembled on both housings and hoods.

The nylon wire with terminal allows to link the cover to the housing and avoids its loss of it when disassembled



3 - Covers for reversed double locking system.

The covers assembled on the housings or separated, are available for the enclosures with a double reverse locking system.

Those assembled on housings are not locked with levers but only provide mechanical protection.

To obtain an IP66 degree of protection the separated covers that can be locked with levers are necessary.



Coperchi

I coperchi quando accoppiati alle custodie e bloccati tramite le leve di chiusura assicurano il grado di protezione IP66, inoltre proteggono meccanicamente la connessione interna momentaneamente non utilizzata.

Molex offre solamente coperchi metallici in quanto quelli stampati in materiale termoplastico, più economici, non offrono la stessa protezione e le stesse caratteristiche tecniche di quelli metallici.

Sono disponibili due famiglie di coperchi:

1 - Coperchi integrati sulle custodie fisse

2 - Coperchi separati da assemblare sia sulle custodie fisse che sulle custodie mobili

Il conduttore di nylon con il terminale consente di ottenere un collegamento con la custodia fissa onde evitare la perdita del coperchio quando non utilizzato



3 - Coperchi per custodie con sistema di chiusura doppio rovesciato.

Anche le custodie con sistema di chiusura doppio rovesciato possono essere provviste di coperchi sia assemblati alle custodie fisse che separati per le custodie mobili.

Quelli assemblati sulle custodie fisse non bloccabili con le leve offrono solamente una protezione meccanica.

Per ottenere il grado di protezione IP66 è necessario utilizzare quelli separati bloccabili con le leve.



Cable glands for enclosures

The cable glands on the enclosures are used to protect and lock the cables with the enclosures ensuring the IP protection of the assembling **connectors, enclosures, cable gland**.

Molex suggest the use of metal enclosures with metal cable glands only because these glands only can guarantee the performances of the enclosures: with metal cable glands we can reach the maximum mechanical resistance at pulling, shocks and vibration at the maximum rated temperature (+125°C).

The plastic cable glands, can be used only in light environmental conditions and with lower temperature and mechanical strength.

We recommend to use the IP68 metal cable gland with big size cable, because they can offer the biggest resistance at mechanical strength like side pulling and cycle movement, guaranteeing the IP degree of protection.

Taking head of the above warnings, it's the user responsibility to select the right cable gland from the following series available:

- IP66 plastic cable glands
- IP66 metal cable glands
- IP68 plastic cable glands
- IP68 metal cable glands

(please see section 50.xx)

With HC high construction enclosures the using of metal cable glands IP68 is the best solution.

Molex offers a wide range of enclosures with a wide range of both threadings Metric and Pg in accordance with market and customers requirements.

For coupling with tubes and fittings with NPT thread Molex offers a range of adapters Metric - NPT and Pg - NPT.

(please see section 50.xx)

IP65 - IP66 plastic cable glands / *Pressacavi plastici IP65 - IP66*



IP68 plastic cable glands / *pressacavi IP68 plastici*



Pressacavi per custodie

*I pressacavi assemblati alle custodie hanno la funzione di proteggere e bloccare i cavi alle custodie assicurando il grado di protezione IP dell'insieme **connettore - custodie - pressacavo**.*

Molex suggerisce l'impiego di soli pressacavi metallici con le custodie metalliche perchè solo questi possono garantire il raggiungimento della massima resistenza sia meccanica, alla trazione, agli urti ed alle vibrazioni, che alla temperatura (+125°C).

I pressacavi plastici possono essere usati solo quando vengono richieste inferiori caratteristiche di resistenza meccanica e alle condizioni ambientali.

Inoltre si raccomanda l'uso di pressacavi IP68 metallici in quanto sono gli unici in grado di resistere a sforzi meccanici molto forti: in particolare alla tensione laterale e a movimenti ciclici in presenza di cavi di grande diametro e conseguentemente a garantire il necessario grado di protezione IP.

Tenendo conto di tali avvertenze è responsabilità dell'utilizzatore selezionare il pressacavo corretto fra le seguenti serie disponibili:

- *Pressacavi plastici IP66*
- *Pressacavi metallici IP66*
- *Pressacavi plastici IP68*
- *Pressacavi metallici IP68*

(vedere sezione 50.xx)

Con le custodie alte HC l'uso di pressacavi metallici IP68 è la migliore soluzione.

Molex offre una vasta gamma di custodie sia con filettature metriche che Pg secondo le richieste del mercato e dei clienti.

Per l'accoppiamento con tubi e raccordi con filettature NPT sono disponibili adattatori Metrici - NPT e Pg - NPT

(vedere sezione 50.xx)

IP65 - IP66 metal cable glands / *Pressacavi metallici IP65 - IP66*



IP68 metal cable glands / *Pressacavi metallici IP68*



IP66 cable glands for flat cables

Molex offers 3 sizes of cable glands for flat cables that permit the assembly on hood and on any cabinet and the use of the flat cables maintaining the IP66 protection degree.

They can be assembled on hood top entry HC version size:

- B10 «57x27»
- B16 «77x27»
- B24 «104x27»

The range of cables is:

Thickness	3.8 + 9 mm
Width	17 + 76 mm

Pressacavi IP66 per cavi piatti

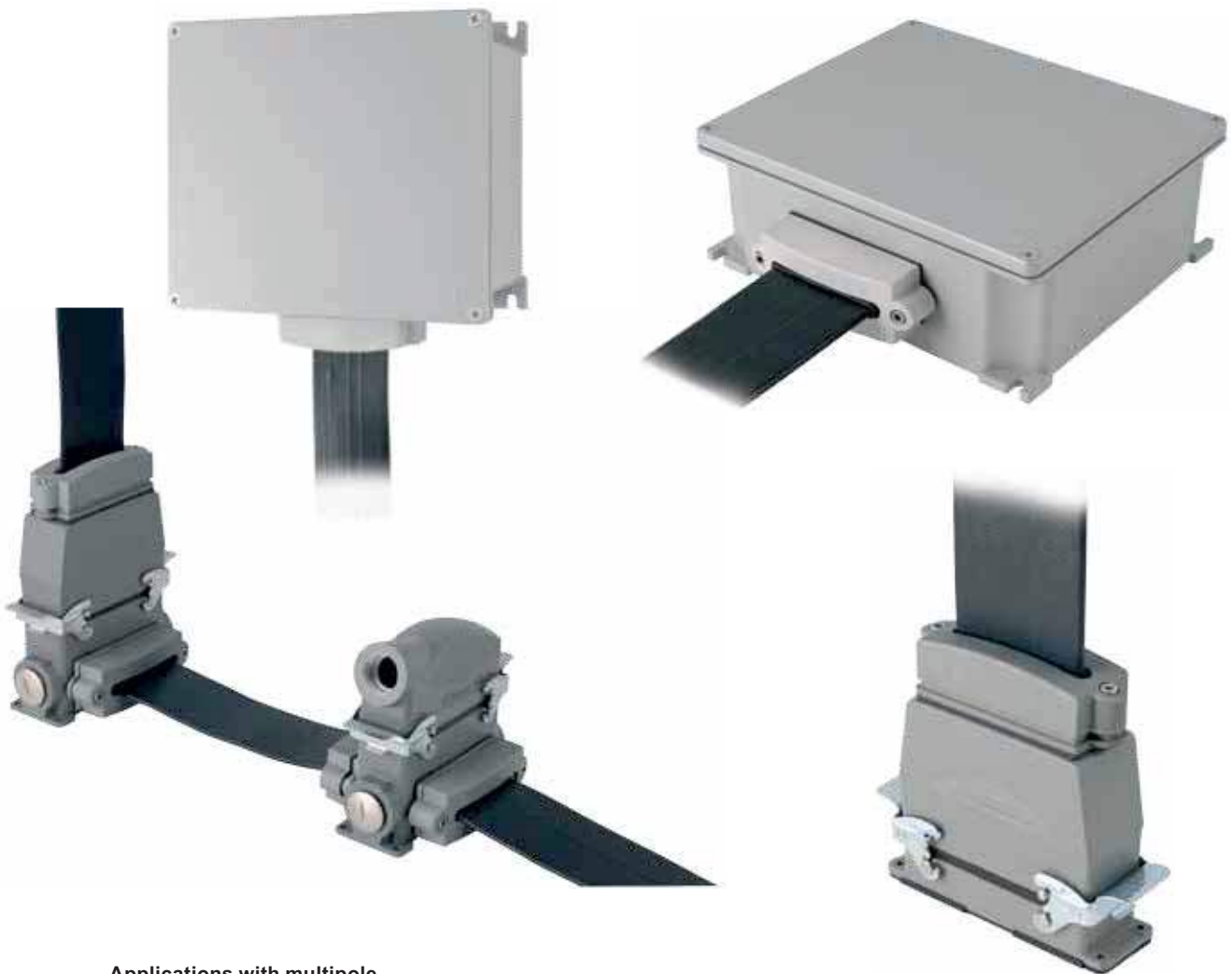
Molex offre 3 grandezze di pressacavi per cavi piatti che permettono l'assemblaggio in custodie mobili e anche in ogni altro contenitore, mantenendo il grado di protezione IP66

Essi possono essere assemblati in custodie con ingresso verticale versione alta di grandezza:

- B10 «57x27»*
- B16 «77x27»*
- B24 «104x27»*

I cavi piatti assemblati hanno dimensioni:

<i>Spessore</i>	<i>3.8 + 9 mm</i>
<i>Larghezza</i>	<i>17 + 76 mm</i>



Applications with multipole connectors MIC hood/housing
Applicazioni con custodie per connettori multipolari MIC

Certification in accordance with ANSI/UL50, ANSI/UL50E and NEMA 250

Molex MIC connectors enclosures successfully passed ANSI/UL50, ANSI/UL50E and NEMA 250 Type 4, Type 4x and Type 12 tests at Underwriters Laboratory (UL) under the connector category ECBT2 (USA) and ECBT8 (Canada) .

We declare that the MIC connectors not only meet the European and the International requirements stated in the EN 61984 to which the MIC connectors generally refer (and particularly to IEC/EN60529 regarding the IP degrees of enclosures protection), but also meet the requirements of American Standards, ANSI/UL50, ANSI/UL50E and NEMA 250 that define the type classification of enclosures and control cabinets.

ANSI: Approved American National Standard

UL: Underwriters Laboratories Inc.

In the US the NEMA Association (National Electrical Manufacturer's Association) is one of the major organizations responsible for writing the national electrical standards and requirements of electrical equipments.

Its membership mainly consists of electrical manufacturers and end users.

The NEMA 250 is the document that defines the Type classification for enclosures in the United States.

The NEMA 250 not only takes in consideration necessary requirements for the protection of the personnel and against the ingress of objects and water, as provided by the IEC/EN60529 Standard (IPxx degree, see page 00.46 of this catalogue), but also numerous other requirements covered by NEMA Type designations, which go beyond the IEC 60529/ IP codes.

That is

- Construction requirements
- Doors and covers safety
- Resistance to corrosion
- Effects of icing
- Gasket resistance to ageing and oil
- Coolant effects

The NEMA 250 defines the Type for the enclosures;

The types are listed in the page 00.69 of this catalogue.

For this reason, IP code designation cannot be converted to enclosure NEMA 250 type numbers.

Most American customers require enclosures with NEMA, UL or CSA rating.



Certificazione secondo le norme ANSI/UL50, ANSI/UL50E e NEMA 250

Le custodie dei connettori MIC Molex hanno superato i test previsti dalle Norme ANSI/UL50, ANSI/UL50E e NEMA 250 Type 4, Type 4x e Type 12 presso i laboratori UL (Underwriters Laboratories) nelle categorie connettori ECBT2 (USA) e ECBT8 (Canada).

Possiamo dichiarare che i connettori MIC, non solo soddisfano i requisiti Europei ed Internazionali stabiliti dalla Norma EN 61984 a cui i connettori fanno riferimento in generale ed in particolare alla Norma IEC/EN 60529 relativa al grado di protezione degli involucri (Gradi IP), ma anche alle normative richieste dalle Norme Americane ANSI/UL50, ANSI/UL50E e NEMA 250 in merito alla protezione delle custodie.

ANSI: Approved American National Standard

UL: Underwriters Laboratories Inc.

Negli Stati Uniti l'Associazione NEMA (National Electrical Manufacturer's Association) è una fra le maggiori organizzazioni responsabili per l'emissione delle Norme Americane relative alle apparecchiature elettriche.

I membri dell'Associazione sono principalmente i costruttori delle apparecchiature elettriche ed i loro utilizzatori.

La Norma NEMA 250 non solo prende in considerazione i requisiti necessari per la protezione delle persone e contro l'introduzione di oggetti solidi e dell'acqua come previsto dalla Norma IEC/EN 60529 (Gradi IPxx: vedere pagina 00.46 di questo catalogo) ma numerosi altri requisiti come:

- Caratteristiche costruttive
- Sicurezza dei coperchi e delle porte
- Resistenza alla corrosione
- Resistenza agli effetti procurati dalla formazione di ghiaccio
- Invecchiamento delle guarnizioni e resistenza delle stesse agli oli.
- Resistenza agli effetti procurati da liquidi refrigeranti.

La Norma NEMA 250 definisce la classe degli involucri in diversi "Type" le cui caratteristiche sono elencate a pagina 00.69 di questo catalogo.

Per i motivi di cui sopra i gradi di protezione IPxx della IEC/EN 60529 non possono essere convertiti nei Type previsti dalla Norma NEMA 250.

I clienti/utilizzatori americani richiedono custodie conformi alle classi stabilite da NEMA, UL o CSA.



Certification in accordance with ANSI/UL50, ANSI/UL50E and NEMA 250

Molex MIC connectors not only meet the International IP requirements, but also fully meet the requirements of ANSI/UL50, ANSI/UL50E, NEMA 250 Type 4, Type 4x and Type 12, that is:

Type 4: Enclosures constructed for either indoor or outdoor use to provide a degree of protection to personnel against incidental contact with the enclosed equipment; to provide a degree of protection against falling dirt, rain, sleet, snow, windblown dust, splashing water and hose-directed water; and that will be undamaged by the external formation of ice on the enclosures.

Type 4x: Enclosures constructed for either indoor or outdoor use to provide a degree of protection to personnel against incidental contact with the enclosed equipment; to provide a degree of protection against falling dirt, rain, sleet, snow, windblown dust, splashing water and hose-directed water; and corrosion; and that will be undamaged by the external formation of ice on the enclosures.

Type 12: Enclosures constructed (without knockouts) for indoor use to provide a degree of protection to personnel against incidental contact with the enclosed equipment; to provide a degree of protection against falling dirt, circulating dust, lint, fibers, and flyings; against dripping and light splashing of non-corrosive liquids; and against light splashing and consequent seepage of oil and non-corrosive coolants.



Compliance with NEMA requirements is voluntary.

NEMA does not require enclosures to be tested by qualified evaluators, but the UL Certification assures that Molex MIC connectors are conformed to the US requirements, and also guarantees clients/users, manufacturers of control cabinets and manufacturers of other electrical equipments the conformity to the NEMA and high rating of their products.

According to above listed statements, Molex MIC connectors officially hold the following marks:



In accordance with the standards and certifications all Molex enclosures are for indoor and outdoor uses.

While choosing whether to use plastic or metal STD/HE enclosures (for standard or harsh environments), the user should take into consideration that:

plastic enclosures compared with metal enclosures are limited by lower working temperature, higher ageing due to light, variation of temperature, sensitivity to humidity, lower mechanical and impact strength, lower heat dissipation, lower resistance to chemical agents. Both Molex metal enclosures STD/STD-HV and HE/HE-HV are designed, manufactured and certified for indoor and outdoor use in accordance the same International Standards and accordingly certified, but HE/HE-HV enclosures are designed for more severe applications in harsh environments, taking into consideration a higher resistance to salt atmosphere, corrosive liquids and higher resistance of the painted surfaces to splashing water and hose-direct water even at high pressure.

The EMC enclosures are designed for indoor and outdoor use too, but, as the aluminium surfaces is not painted, though protected by special galvanic treatment, they shall be used in not particularly aggressive environments.

Certificazione secondo le norme ANSI/UL50, ANSI/UL50E e NEMA 250

I connettori MIC di Molex hanno il vantaggio di essere non solo conformi alle Norme Internazionali (IEC) relativamente al grado di protezione degli involucri, grado IP, ma anche conformi ai requisiti stabiliti dalle ANSI/UL50, ANSI/UL50E, NEMA 250 Type 4, Type 4x e Type 12, e precisamente:

Type 4: Custodie costruite sia per usi interni che esterni che forniscono un grado di protezione al personale contro i contatti accidentali con le apparecchiature contenute all'interno e un grado di protezione contro lo sporco in caduta, pioggia, grandine, neve e polvere portata dal vento, spruzzi e getti d'acqua e che non vengono danneggiate dalla formazione di ghiaccio esterno sulla custodia stessa.

Type 4x: Custodie costruite sia per usi interni che esterni che forniscono un grado di protezione al personale contro i contatti accidentali con le apparecchiature contenute all'interno e un grado di protezione contro lo sporco in caduta, pioggia, grandine, neve e polvere portata dal vento, spruzzi e getti d'acqua e contro la corrosione e che non vengono danneggiate dalla formazione di ghiaccio esterno sulla custodia stessa.

Type 12: Custodie costruite per uso interno (senza prefature) che forniscono un grado di protezione al personale contro i contatti accidentali con le apparecchiature contenute all'interno e un grado di protezione contro lo sporco in caduta, la circolazione di polvere, di filamenti e fibre nell'aria ed insetti; contro gocciolature e spruzzi leggeri di liquidi non corrosivi; contro spruzzi leggeri e conseguente infiltrazione di olio e di liquidi refrigeranti non corrosivi.



La conformità alle caratteristiche richieste da NEMA è volontaria ovvero non è obbligatoria la certificazione da parte di un qualificato laboratorio esterno, ma la certificazione da parte di UL (Underwriter Laboratories) assicura che i connettori MIC di Molex sono conformi alle Normative Americane garantendo i clienti/utilizzatori costruttori di quadri elettrici e di controllo e di altre apparecchiature la conformità alle Norme NEMA 250, mantenendo l'elevato livello delle loro apparecchiature.

Per quanto sopra le custodie dei connettori MIC possono fregiarsi del marchio:



Applicazioni delle custodie:

Secondo le norme e le certificazioni tutte le custodie Molex sono adatte per usi sia interni che esterni: quali sono le caratteristiche delle stesse che suggeriscono l'uso delle custodie in plastica o l'uso delle custodie metalliche serie STD Standard o HE per ambienti aggressivi?

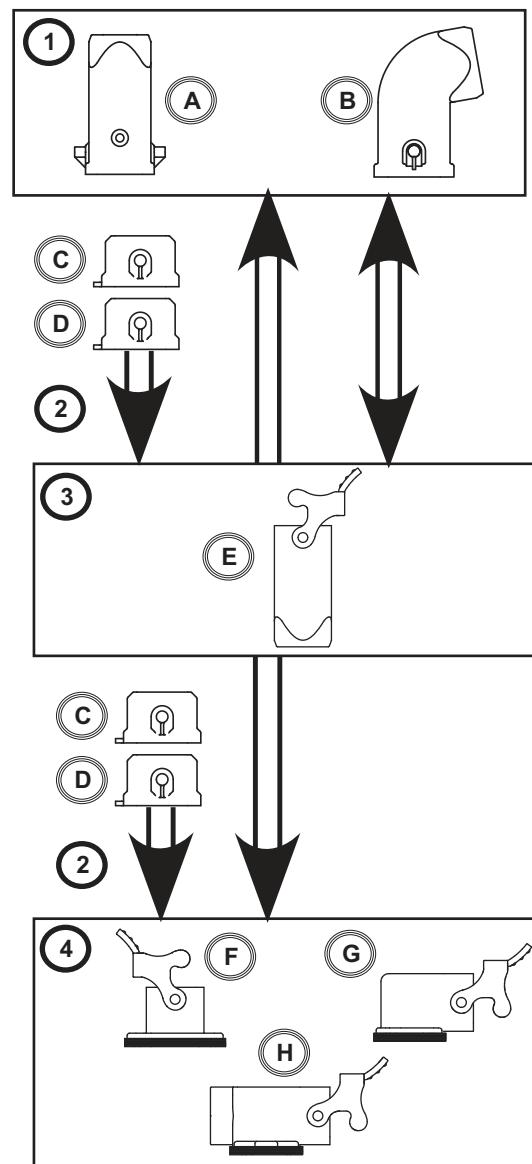
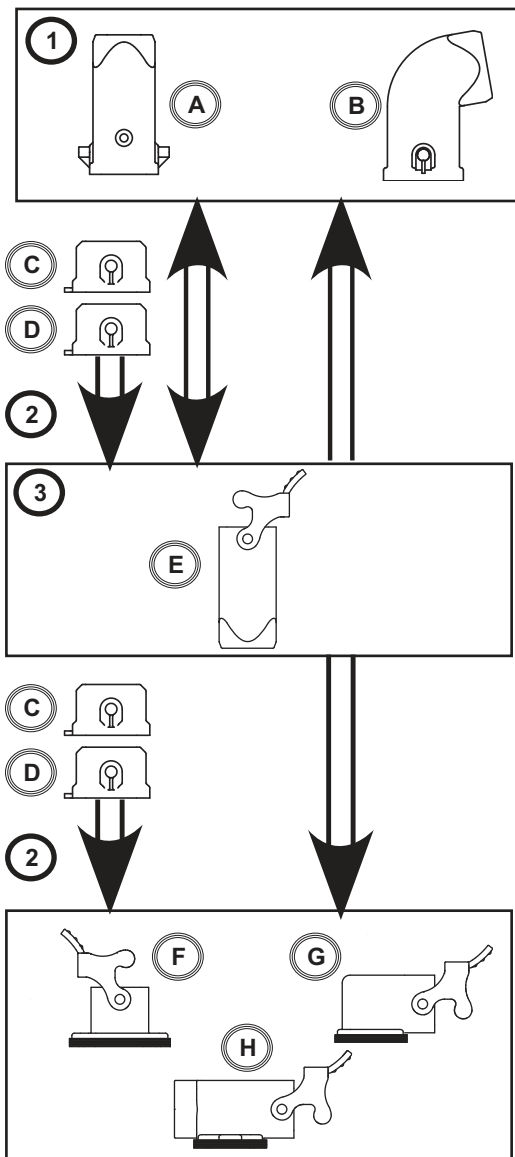
L'utilizzatore deve tenere in considerazione quanto segue: le custodie in materiale plastico comparate con quelle metalliche hanno un limite di temperatura di lavoro inferiore, un maggior invecchiamento dovuto alla luce e alle variazioni di temperatura, sono sensibili all'umidità, hanno una inferiore resistenza meccanica ed agli urti in particolare, una inferiore dissipazione termica ed una inferiore resistenza agli agenti chimici.

Entrambe le custodie metalliche serie STD/STD-HV e HE/HE-HV sono progettate, costruite e certificate sia per usi interni che esterni secondo le stesse norme internazionali e conseguentemente certificate, ma le custodie HE / HE-HV sono progettate per applicazioni più severe in ambienti aggressivi, tenendo in considerazione una maggior resistenza alla atmosfera salina, ai liquidi aggressivi ed una maggior resistenza delle superfici verniciate ai getti d'acqua anche ad alta pressione.

Le custodie EMC sono anch'esse previste per usi interni ed esterni ma, pur avendo una superficie metallica (alluminio) protetta da speciali trattamenti galvanici, non essendo verniciate devono essere utilizzate in ambienti non particolarmente aggressivi.

Thermoplastic hood/housing Custodie in plastica Size 3A Grandezza 3A «21 x 21»	Thermoplastic hood/housing Custodie in plastica Size QD Grandezza QD «32 x 13»
Inserts size Grandezza inserti 21 x 21 mm	Inserts size Grandezza inserti 32 x 13 mm

Metal hood/housing Custodie metalliche Size 3A Grandezza 3A «21 x 21»	Metal hood/housing Custodie metalliche Size QD Grandezza QD «32 x 13»
Inserts size Grandezza inserti 21 x 21 mm	Inserts size Grandezza inserti 32 x 13 mm



Legend:

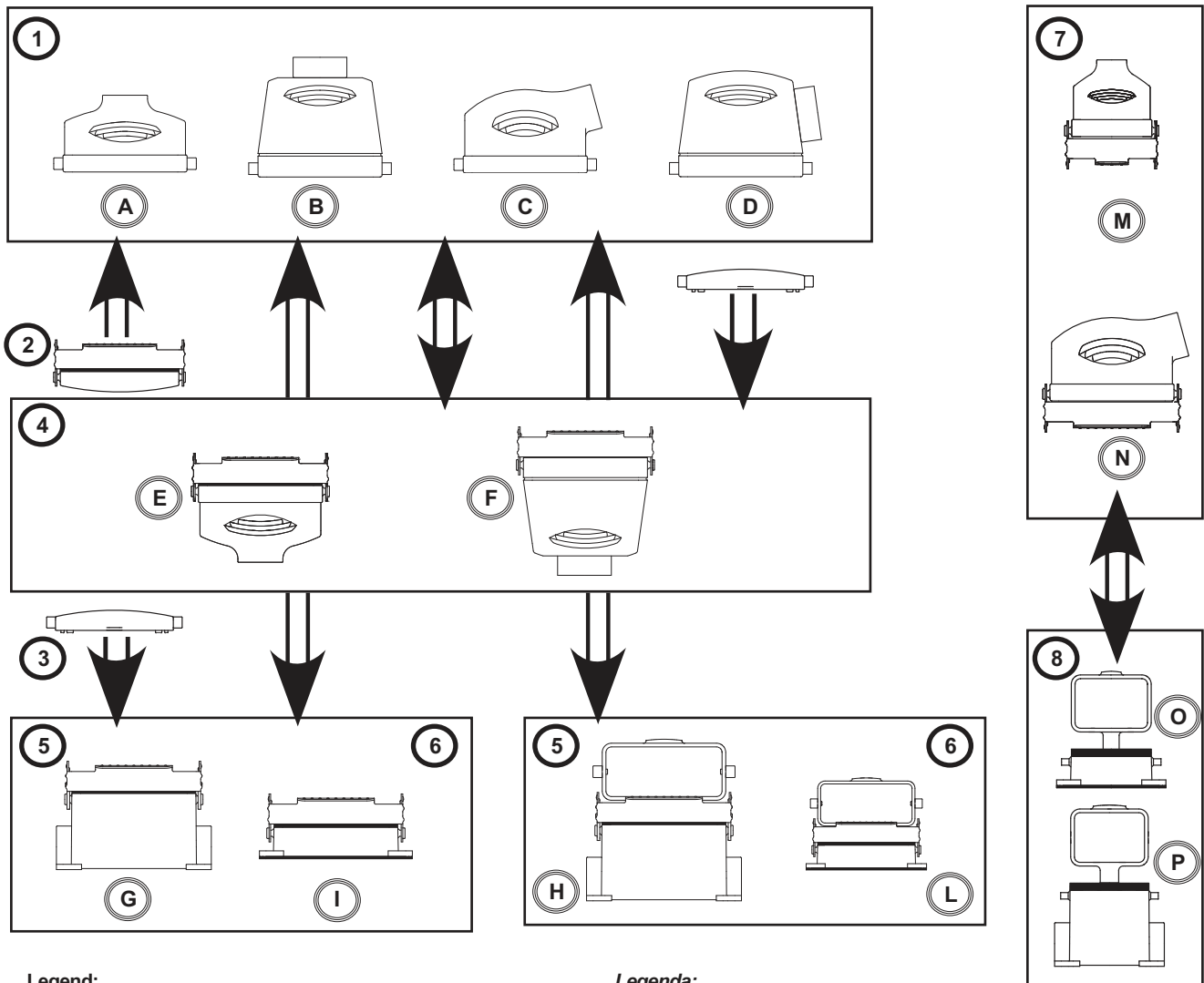
- 1) Hoods with pegs: top entry "A", side entry "B"
- 2) Cover with pegs: for male inserts "C", or female insert "D"
- 3) Hoods with lever "E"
- 4) Bulkhead housings: top type "F", side type "G", side type with cable entry "H"

Legenda:

- 1) Custodie mobili con perni: uscita verticale "A", uscita orizzontale "B"
- 2) Coperchi con perni: per inserti maschio "C", femmina "D"
- 3) Custodie mobili con leva "E"
- 4) Custodie fisse da incasso: tipo verticale "F", orizzontale "G", orizzontale con ingresso cavo "H"

Size 10A Grandezza 10A «49x16»	Size 16A Grandezza 16A «66x16»	Size 6B Grandezza 6B «44 x 27»	Size 10B Grandezza 10B «57 x 27»	Size 16B Grandezza 16B «77 x 27»	Size 24B Grandezza 24B «104 x 27»	Size 32B Grandezza 32B «77 x 62»	Size 48B Grandezza 48B «104 x 62»
Inserts fixing size Sede fissaggio inserti 49 x 16 mm	Inserts fixing size Sede fissaggio inserti 66 x 16 mm	Inserts fixing size Sede fissaggio inserti 44 x 27 mm	Inserts fixing size Sede fissaggio inserti 57 x 27 mm	Inserts fixing size Sede fissaggio inserti 77,5 x 27 mm	Inserts fixing size Sede fissaggio inserti 104 x 27 mm	Inserts fixing size Sede fissaggio inserti (2x) 77,5 x 27 mm	Inserts fixing size Sede fissaggio inserti (2x) 104 x 27 mm

Single locking system - Sistema di chiusura singolo



Legend:

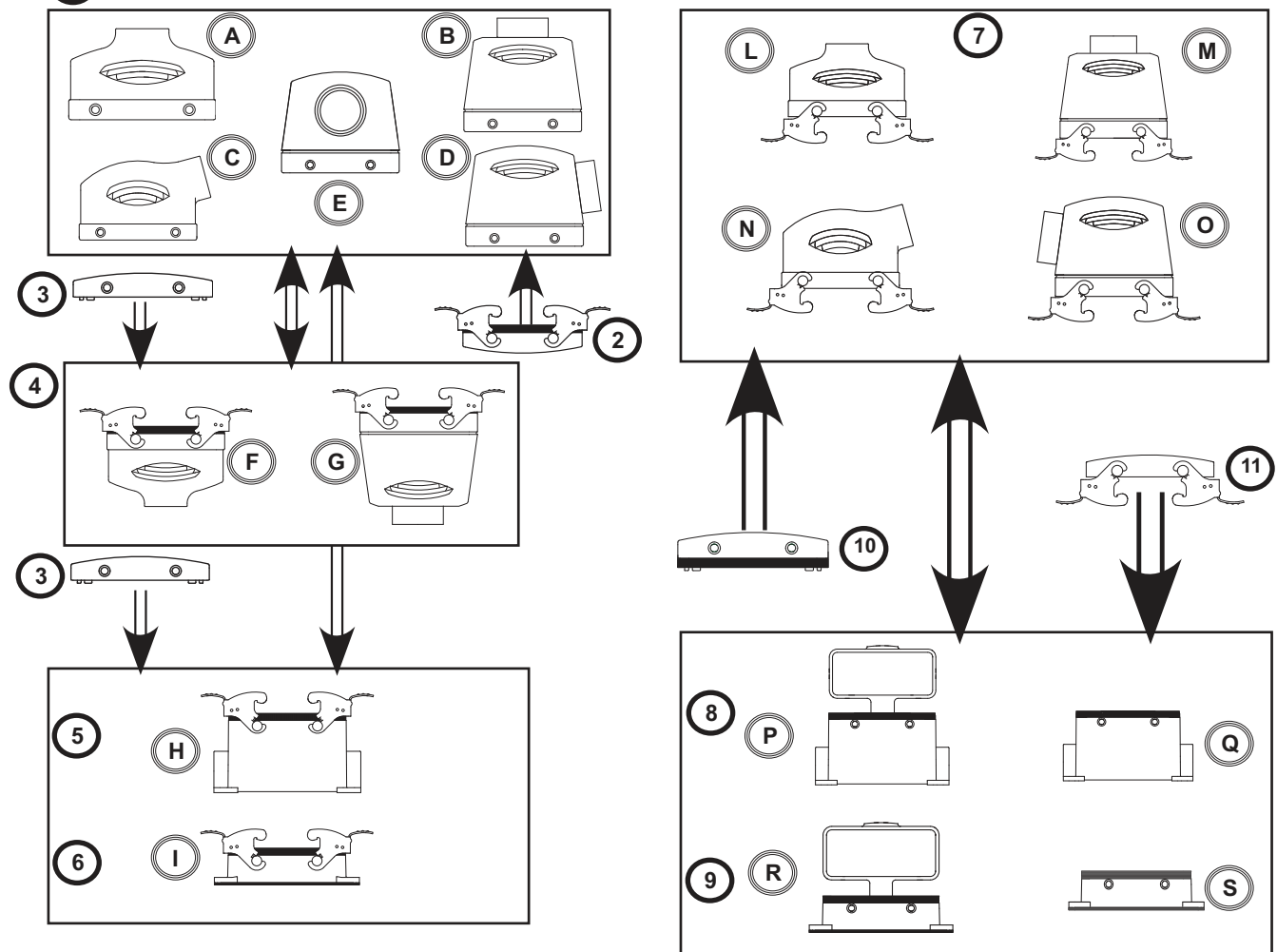
- 1 - Hoods with pegs, without gasket: Top entry "A", high with top entry "B", side entry "C", high with side entry "D"
- 2 - Covers with lever and gasket
- 3 - Covers with pegs, without gasket
- 4 - Hoods with lever and gasket: top entry "E", high with top entry "F"
- 5 - Wall mounting housings with lever and gasket: without cover "G", with cover "H"
- 6 - Bulkhead housings with lever and gasket: without cover "I", with cover "L"
- 7 - Hoods with lever without gasket: top entry "M", side entry "N"
- 8 - Bulkhead housing with pegs, cover and gasket O Surface mounting "P"

Legenda:

- 1 - Custodie mobili con perni, senza guarnizioni: uscita verticale "A", uscita orizzontale "C", uscita orizzontale alta "D", uscita verticale alta "B"
- 2 - Coperchi con leva e guarnizione
- 3 - Coperchi con perni senza guarnizione
- 4 - Custodie mobili con leva e guarnizione: uscita verticale "E", uscita verticale alta "F"
- 5 - Custodie fisse con leva e guarnizione da parete: senza coperchio "G", con coperchio "H"
- 6 - Custodie fisse con leva e guarnizione da incasso: senza coperchio "I", con coperchio "L"
- 7 - Custodie mobili con leva senza guarnizione: uscita verticale "M", uscita orizzontale "N"
- 8 - Custodie fisse con perni, coperchio e guarnizione, da incasso O Da parete "P"

Size 32A Grandezza 32A «66 x 40»	Size 10B Grandezza 10B «57 x 27»	Size 16B Grandezza 16B «77 x 27»	Size 24B Grandezza 24B «104 x 27»	Size 32B Grandezza 32B «77 x 62»
Inserts fixing size Sede fissaggio inserti 66 x 40 mm	Inserts fixing size Sede fissaggio inserti 57 x 27 mm	Inserts fixing size Sede fissaggio inserti 77,5 x 27 mm	Inserts fixing size Sede fissaggio inserti 104 x 27 mm	Inserts fixing size Sede fissaggio inserti (2x) 77,5 x 27 mm

1 Double locking system - Sistema di chiusura doppio



Legend:


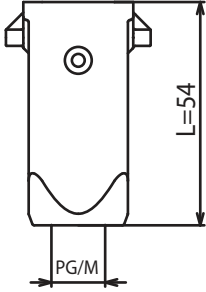
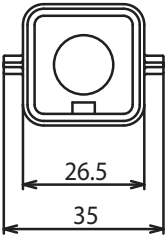





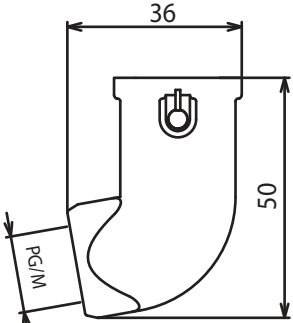
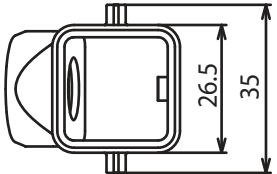




- 1 - Hoods with pegs, without gasket: Top entry "A", high with top entry "B", side entry "C", high with side entry "D", frontal entry "E"
- 2 - Covers with lever and gasket
- 3 - Covers with pegs, without gasket
- 4 - Hoods with lever and gasket: top entry "F", high with top entry "G"
- 5 - Wall mounting housings with levers and gasket: without cover "H"
- 6 - Bulkhead housings with levers and gasket: without cover "I"


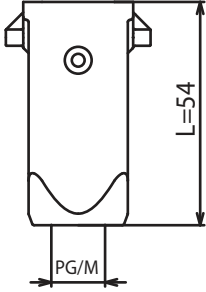
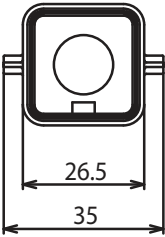





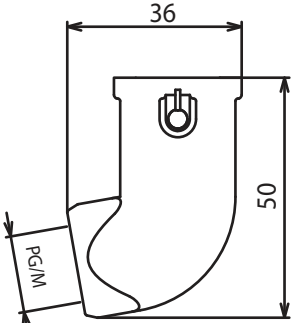
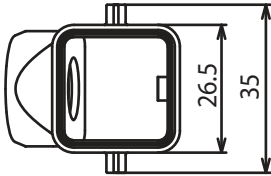




Legenda:


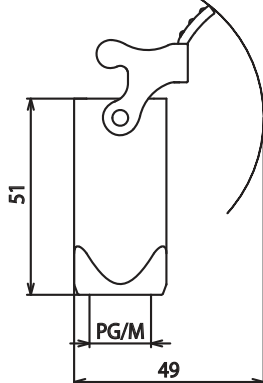
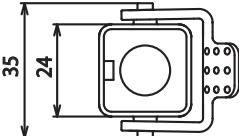

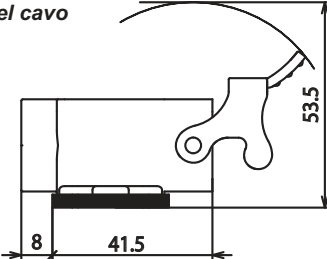
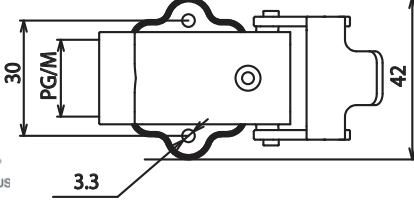
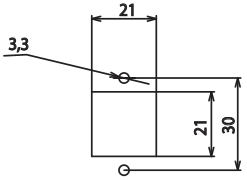
- 1- Custodie mobili con perni, senza guarnizioni: uscita verticale "A", uscita verticale alta "B", uscita orizzontale "C", uscita orizzontale alta "D" uscita frontale "E"
- 2- Coperchi con leve e guarnizione
- 3- Coperchi con perni senza guarnizione
- 4- Custodie mobili con leve e guarnizione: uscita verticale "F", uscita verticale alta "G"
- 5- Custodie fisse con leve e guarnizione da parete: senza coperchio "H"
- 6- Custodie fisse con leve e guarnizione da incasso senza coperchio "I"
- 7- Custodie mobili con leve senza guarnizione: uscita verticale "L", uscita verticale alta "M", uscita orizzontale "N", uscita orizzontale alta "O"
- 8- Custodie fisse con perni e guarnizione, da parete con coperchio "P", senza coperchio "Q"
- 9- Custodie fisse con perni e guarnizione, da incasso con coperchio "R", senza coperchio "S"
- 10- Coperchi con perni e guarnizione
- 11- Coperchi con leve senza guarnizione


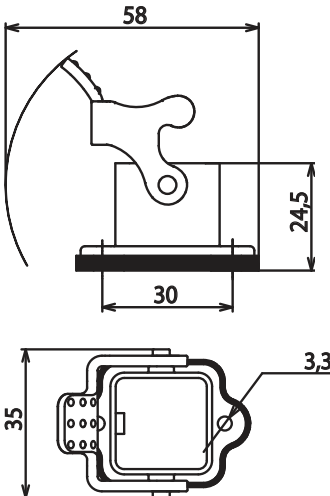
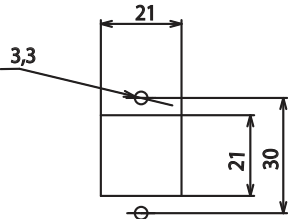

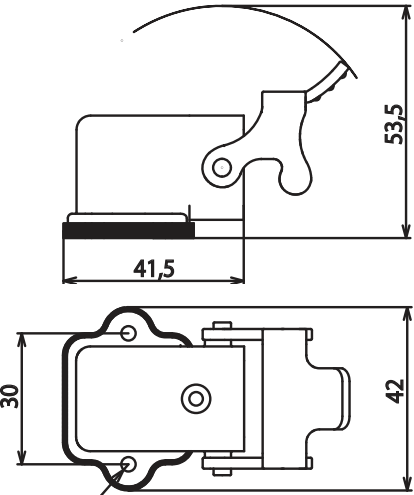
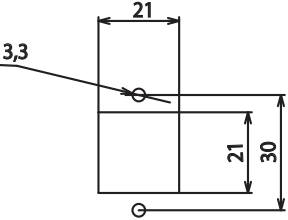



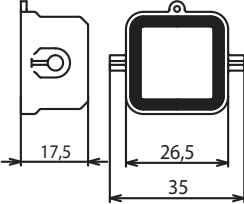

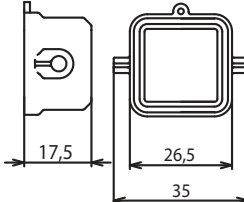

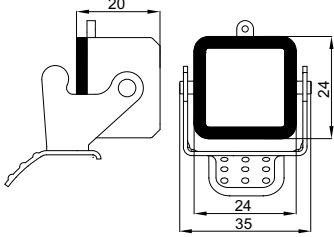

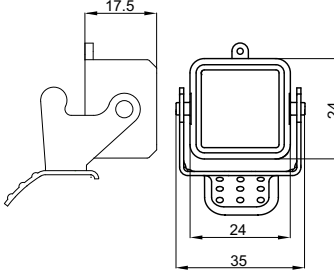
Contents - Sommario	Pages-Pagine
- Contents <i>Sommario</i>	17.01
- Hoods without gasket for inserts S-A, S-D, S-Q series insulated type <i>Custodie mobili senza guarnizione per inserti serie S-A, S-D, S-Q, tipo isolato</i>	17.02
- Hoods with gasket for inserts S-IEC, S-CX series insulated type <i>Custodie mobili con guarnizione per inserti serie S-IEC, S-CX, tipo isolato</i>	17.03
- Hoods top entry with lever, insulated type <i>Custodie ingresso verticale con leva, tipo isolato</i>	17.04
- Right angle bulkhead mounting housings with 1 side cable entry, insulated type <i>Custodie a 90° da incasso con 1 ingresso laterale del cavo, tipo isolato</i>	17.04
- Bulkhead mounting straight housings, insulated type <i>Custodie a 90° da incasso diritte, tipo isolato</i>	17.05
- Right angle bulkhead mounting housings, insulated type <i>Custodie a 90° da incasso, tipo isolato</i>	17.05
- Covers, insulated type <i>Coperchi, tipo isolato</i>	17.06
- Hoods without gasket for inserts S-A, S-D, S-Q series, metal type <i>Custodie mobili senza guarnizione per inserti serie S-A, S-D, S-Q, tipo metallico</i>	17.07
- Hoods with gasket for inserts S-IEC, S-CX series, metal type <i>Custodie mobili con guarnizione per inserti serie S-IEC, S-CX, tipo metallico</i>	17.08
- Hoods top entry with lever, metal type <i>Custodie ingresso verticale con leva, tipo metallico</i>	17.09
- Right angle bulkhead mounting housings with 1 side entry, metal type <i>Custodie a 90° da incasso con 1 ingresso laterale del cavo, tipo metallico</i>	17.09
- Bulkhead mounting straight housings, metal type <i>Custodie a 90° da incasso diritte, tipo metallico</i>	17.10
- Right angle bulkhead mounting housings, metal type <i>Custodie a 90° da incasso, tipo metallico</i>	17.10
- Covers, metal type <i>Coperchi, tipo metallico</i>	17.11
- EMC type, size 3A«21x21» <i>Custodie grandezza 3A«21x21» tipo EMC</i>	27.01 - 27.04


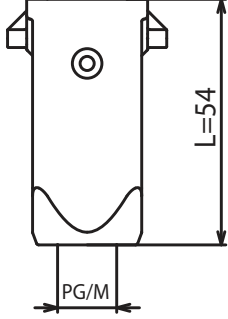


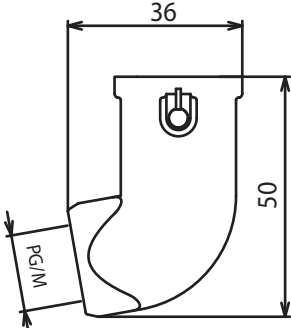

Hoods without gasket for inserts S-A, S-D, S-Q series Custodie mobili senza guarnizione per inserti serie S-A, S-D, S-Q	Color Colore	Thread Filettatura	Part No. Codice	
<p>Hoods top entry Custodia con ingresso verticale</p>    <p>     </p> <ul style="list-style-type: none"> - Type: STD for standard application - Material: Polyamide g.f. RAL 9002 or RAL 9005 - Flammability: UL 94 V0 - GWT 960° - For inserts size 3A. S-A, S-D, S-Q series - With metric thread M20 or with Pg11 - IP66 protection degree - IP67 protection degree with screw gasket <ul style="list-style-type: none"> - Tipo: STD per applicazioni standard - Materiale: Poliammide + vetro RAL 9002 o RAL 9005 - Autoestinguenza: UL 94 V0 - GWT 960° - Per inserti grandezza 3A. Serie S-A, S-D, S-Q - Con filettatura metrica M20 o Pg11 - Grado di protezione IP66 - Grado di protezione IP67 con guarnizione sulla vite 	Grey Grigio	M 20	7803.6227.0	
	Black Nero	M 20	7803.6227.1	
	Grey Grigio	Pg 11	7803.6207.0	
	Black Nero	Pg 11	7803.6207.1	
	<p>Hood side entry Custodia con ingresso orizzontale</p>    <p>     </p> <ul style="list-style-type: none"> - Type: STD for standard application - Material: Polyamide g.f. RAL 9002 or RAL 9005 - Flammability: UL 94 V0 - GWT 960° - For inserts size 3A. S-A, S-D, S-Q series - With metric thread M20 or with Pg11 - IP66 protection degree - IP67 protection degree with screw gasket <ul style="list-style-type: none"> - Tipo: STD per applicazioni standard - Materiale: Poliammide + vetro RAL 9002 o RAL 9005 - Autoestinguenza: UL 94 V0 - GWT 960° - Per inserti grandezza 3A. Serie S-A, S-D, S-Q - Con filettatura metrica M20 o Pg11 - Grado di protezione IP66 - Grado di protezione IP67 con guarnizione sulla vite 	Grey Grigio	M 20	7803.6229.0
		Black Nero	M 20	7803.6229.1
Grey Grigio		Pg 11	7803.6209.0	
Black Nero		Pg 11	7803.6209.1	


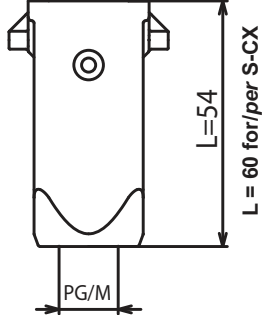
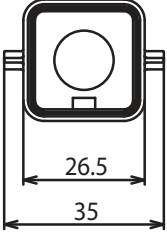

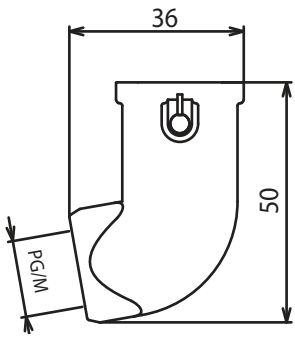
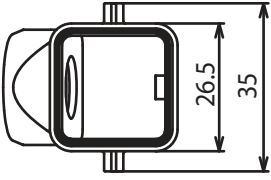
Hoods with gasket for inserts S-IEC series Custodie mobili con guarnizione per inserti serie S-IEC	Color Colore	Thread Filettatura	Part No. Codice
<p>Hoods top entry Custodia con ingresso verticale</p>    <p>     </p> <ul style="list-style-type: none"> - Type: STD for standard application - Material: Polyamide g.f. RAL 9002 or RAL 9005 - Flammability: UL 94 V0 - GWT 960° - For inserts size 3A. S-IEC series - With metric thread M20 or with Pg11 - IP66 protection degree - IP67 protection degree with screw gasket <ul style="list-style-type: none"> - Tipo: STD per applicazioni standard - Materiale: Poliammide + vetro RAL 9002 o RAL 9005 - Autoestinguenza: UL 94 V0 - GWT 960° - Per inserti grandezza 3A. Serie S-IEC - Con filettatura metrica M20 o Pg11 - Grado di protezione IP66 - Grado di protezione IP67 con guarnizione sulla vite 	Grey Grigio	M 20	7803.6213.0
	Black Nero	M 20	7803.6213.1
	Grey Grigio	Pg 11	7803.6214.0
	Black Nero	Pg 11	7803.6214.1
<p>Hood side entry Custodia con ingresso orizzontale</p>    <p>     </p> <ul style="list-style-type: none"> - Type: STD for standard application - Material: Polyamide g.f. RAL 9002 or RAL 9005 - Flammability: UL 94 V0 - GWT 960° - For inserts size 3A. S-IEC series - With metric thread M20 or with Pg11 - IP66 protection degree - IP67 protection degree with screw gasket <ul style="list-style-type: none"> - Tipo: STD per applicazioni standard - Materiale: Poliammide + vetro RAL 9002 o RAL 9005 - Autoestinguenza: UL 94 V0 - GWT 960° - Per inserti grandezza 3A. Serie S-IEC - Con filettatura metrica M20 o Pg11 - Grado di protezione IP66 - Grado di protezione IP67 con guarnizione sulla vite 	Grey Grigio	M 20	7803.6215.0
	Black Nero	M 20	7803.6215.1
	Grey Grigio	Pg 11	7803.6216.0
	Black Nero	Pg 11	7803.6216.1


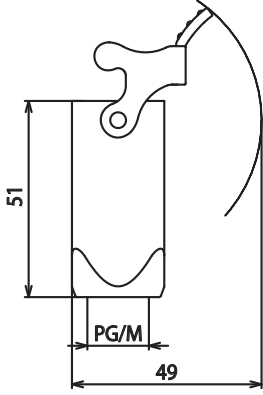
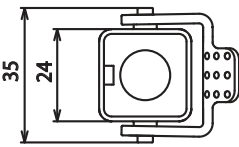


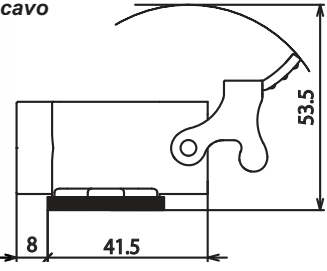
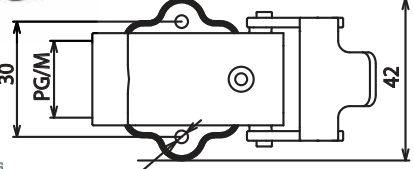
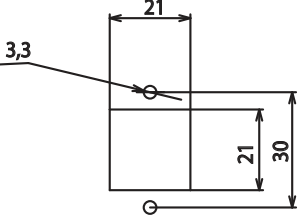

Description - Descrizione	Color Colore	Thread Filettatura	Part No. Codice
<p>Hoods top entry with lever Custodie ingresso verticale con leva</p>    <p>CE (RoHS) cULus Type 4/4x/12 cSPUS</p> <ul style="list-style-type: none"> - Type: STD for standard application - Material: Polyamide g.f. RAL 9002 or RAL 9005 - Flammability: UL 94 V0 - GWT 960° - For inserts size 3A. S-A, S-D, S-Q series - With metric thread M20 or with Pg11 - IP66 protection degree - IP67 protection degree with screw gasket <p>- Tipo: STD per applicazioni standard</p> <ul style="list-style-type: none"> - Materiale: Poliammide + vetro RAL 9002 o RAL 9005 - Autoestinguenza: UL 94 V0 - GWT 960° - Per inserti grandezza 3A. Serie S-A, S-D, S-Q - Con filettatura metrica M20 o Pg11 - Grado di protezione IP66 - Grado di protezione IP67 con guarnizione sulla vite 	Grey Grigio	M 20	7803.6231.0
	Black Nero	M 20	7803.6231.1
	Grey Grigio	Pg 11	7803.6211.0
	Black Nero	Pg 11	7803.6211.1
<p>Right angle bulkhead mounting housings with 1 side cable entry Custodie a 90° da incasso con 1 ingresso laterale del cavo</p>     <p>CE (RoHS) cULus Type 4/4x/12 cSPUS</p> <ul style="list-style-type: none"> - Type: STD for standard application - Material: Polyamide g.f. RAL 9002 or RAL 9005 - Flammability: UL 94 V0 - GWT 960° - For inserts size 3A. S-A, S-D, S-Q series - With metric thread M20 or with Pg11 - IP66 protection degree - IP67 protection degree with screw gasket <p>- Tipo: STD per applicazioni standard</p> <ul style="list-style-type: none"> - Materiale: Poliammide + vetro RAL 9002 o RAL 9005 - Autoestinguenza: UL 94 V0 - GWT 960° - Per inserti grandezza 3A. Serie S-A, S-D, S-Q - Con filettatura metrica M20 o Pg11 - Grado di protezione IP66 - Grado di protezione IP67 con guarnizione sulla vite <p>Panel cut out Foratura del pannello</p>	Grey Grigio	M 20	7803.6225.0
	Black Nero	M 20	7803.6225.1
	Grey Grigio	Pg 11	7803.6205.0
	Black Nero	Pg 11	7803.6205.1


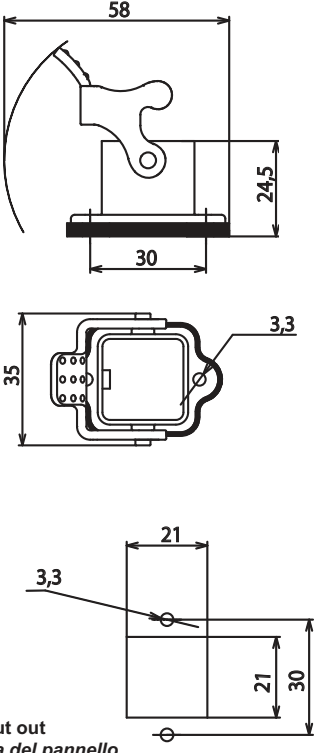

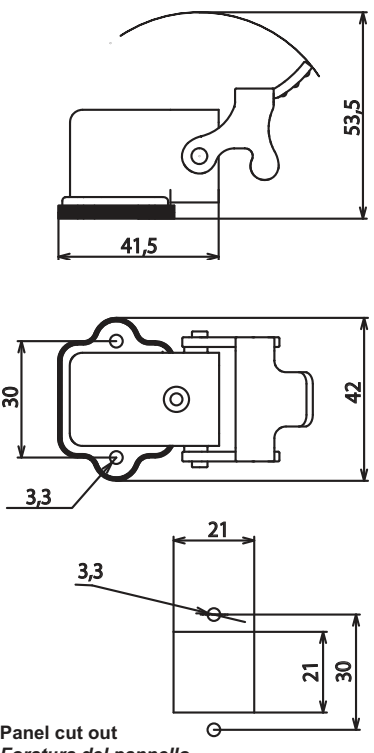
Description - Descrizione	Color Colore	Part No. Codice
<p>Bulkhead mounting housings Custodie da incasso</p>  <p>CE (RoHS) cULUS Type 4/4x/12 cSPUS</p> <ul style="list-style-type: none"> - Type: STD for standard application - Material: Polyamide g.f. RAL 9002 or RAL 9005 - Flammability: UL 94 V0 - GWT 960° - For inserts size 3A. S-A, S-D, S-Q, S-IEC series - With metric thread M20 or with Pg11 - IP66 protection degree - IP67 protection degree with screw gasket <ul style="list-style-type: none"> - Tipo: STD per applicazioni standard - Materiale: Poliammide + vetro RAL 9002 o RAL 9005 - Autoestinguenza: UL 94 V0 - GWT 960° - Per inserti grandezza 3A. Serie S-A, S-D, S-Q, S-IEC - Con filettatura metrica M20 o Pg11 - Grado di protezione IP66 - Grado di protezione IP67 con guarnizione sulla vite 	<p>Grey Grigio</p>	<p>7803.6201.0</p>
  <p>Panel cut out Foratura del pannello</p>	<p>Black Nero</p>	<p>7803.6201.1</p>
<p>Right angle bulkhead mounting housings Custodie a 90° da incasso</p>  <p>CE (RoHS) cULUS Type 4/4x/12 cSPUS</p> <ul style="list-style-type: none"> - Type: STD for standard application - Material: Polyamide g.f. RAL 9002 or RAL 9005 - Flammability: UL 94 V0 - GWT 960° - For inserts size 3A. S-A, S-D, S-Q series - With metric thread M20 or with Pg11 - IP66 protection degree - IP67 protection degree with screw gasket <ul style="list-style-type: none"> - Tipo: STD per applicazioni standard - Materiale: Poliammide + vetro RAL 9002 o RAL 9005 - Autoestinguenza: UL 94 V0 - GWT 960° - Per inserti grandezza 3A. Serie S-A, S-D, S-Q - Con filettatura metrica M20 o Pg11 - Grado di protezione IP66 - Grado di protezione IP67 con guarnizione sulla vite 	<p>Grey Grigio</p>	<p>7803.6203.0</p>
  <p>Panel cut out Foratura del pannello</p>	<p>Black Nero</p>	<p>7803.6203.1</p>


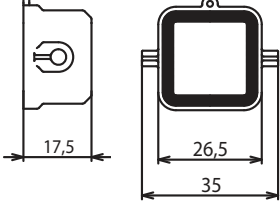

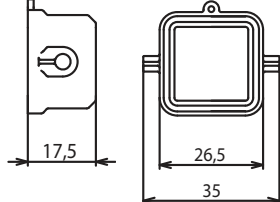

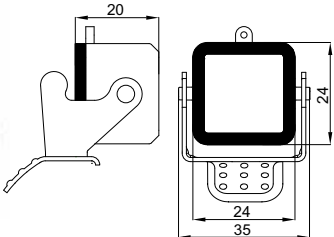

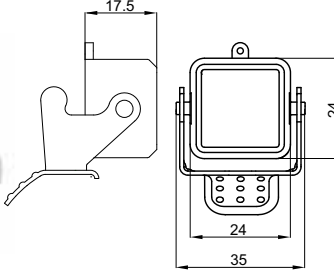
Description - Descrizione	Color Colore	Part No. Codice
<p>With gasket for female inserts - IP66/IP67 protection degree Con guarnizione per inserti femmina - Grado di protezione IP66/IP67</p>  <p>- Type: STD for standard application - Material: Polyamide g.f. RAL 9002 or RAL 9005 - Flammability: UL 94 V0 - GWT 960° - Tipo: STD per applicazioni standard - Materiale: Poliammide + vetro RAL 9002 o RAL 9005 - Autoestinguenza: UL 94 V0 - GWT 960° - To be assembled on enclosures with female inserts, size 3A - Da assemblare su custodie con inserti femmina, grandezza 3A</p>  <p>CE RoHS SP US c UL US Type 4/4x/12</p>	Grey Grigio	7803.6801.0
	Black Nero	7803.6801.1
<p>For male inserts - IP66/IP67 protection degree Per inserti maschio - Grado di protezione IP66/IP67</p>  <p>- Type: STD for standard application - Material: Polyamide g.f. RAL 9002 or RAL 9005 - Flammability: UL 94 V0 - GWT 960° - Tipo: STD per applicazioni standard - Materiale: Poliammide + vetro RAL 9002 o RAL 9005 - Autoestinguenza: UL 94 V0 - GWT 960° - To be assembled on enclosures with female inserts, size 3A - Da assemblare su custodie con inserti femmina, grandezza 3A</p>  <p>CE RoHS SP US c UL US Type 4/4x/12</p>	Grey Grigio	7803.6803.0
	Black Nero	7803.6803.1
<p>With gasket and lever for female insert - IP66/IP67 protection degree Con guarnizione e leva per inserti femmina - Grado di protezione IP66/IP67</p>  <p>- Type: STD for standard application - Material: Polyamide g.f. RAL 9002 or RAL 9005 - Flammability: UL 94 V0 - GWT 960° - Tipo: STD per applicazioni standard - Materiale: Poliammide + vetro RAL 9002 o RAL 9005 - Autoestinguenza: UL 94 V0 - GWT 960° - To be assembled on enclosures with female inserts, size 3A - Da assemblare su custodie con inserti femmina, grandezza 3A</p>  <p>CE RoHS SP US c UL US Type 4/4x/12</p>	Grey Grigio	7803.6879.0
	Black Nero	7803.6879.1
<p>With lever for male insert - IP66/IP67 protection degree Con leva per inserti maschio - Grado di protezione IP66/IP67</p>  <p>- Type: STD for standard application - Material: Polyamide g.f. RAL 9002 or RAL 9005 - Flammability: UL 94 V0 - GWT 960° - Tipo: STD per applicazioni standard - Materiale: Poliammide + vetro RAL 9002 o RAL 9005 - Autoestinguenza: UL 94 V0 - GWT 960° - To be assembled on enclosures with female inserts, size 3A - Da assemblare su custodie con inserti femmina, grandezza 3A</p>  <p>CE RoHS SP US c UL US Type 4/4x/12</p>	Grey Grigio	7803.6880.0
	Black Nero	7803.6880.1


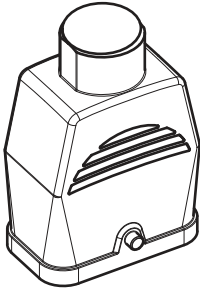
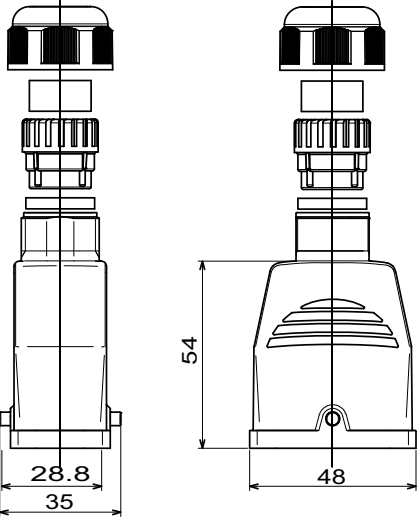
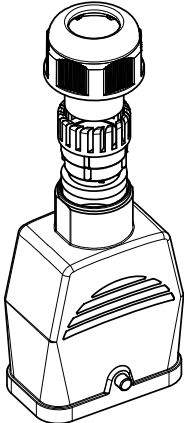
Hoods without gasket for insert S-A, S-D, S-Q series Custodie mobili senza guarnizione per inserti serie S-A, S-D, S-Q	Type Tipo	Thread Filettatura	Part No. Codice
<p>Hoods top entry Custodie con ingresso verticale</p>   <p>  </p> <ul style="list-style-type: none"> - Type STD for standard applications - Type HE for harsh environmental requirements - For inserts size 3A. S-A, S-D, S-Q series - With metric thread M20 or with Pg11 - IP66 protection degree - IP67 protection degree with screw gasket <ul style="list-style-type: none"> - Tipo STD: per applicazioni standard - Tipo HE: per applicazioni in ambienti aggressivi - Per inserti grandezza 3A. Serie S-A, S-D, S-Q - Con filettatura metrica M20 o Pg11 - Grado di protezione IP66 - Grado di protezione IP67 con guarnizione sulla vite 	STD	M 20	7803.6228.0
	HE	M 20	7803.6228.1
	STD	Pg 11	7803.6208.0
	HE	Pg 11	7803.6208.1
<p>Hoods side entry Custodie con ingresso laterale</p>   <p>  </p> <ul style="list-style-type: none"> - Type STD for standard applications - Type HE for harsh environmental requirements - For inserts size 3A. S-A, S-D, S-Q series - With metric thread M20 or with Pg11 - IP66 protection degree - IP67 protection degree with screw gasket <ul style="list-style-type: none"> - Tipo STD: per applicazioni standard - Tipo HE: per applicazioni in ambienti aggressivi - Per inserti grandezza 3A. Serie S-A, S-D, S-Q - Con filettatura metrica M20 o Pg11 - Grado di protezione IP66 - Grado di protezione IP67 con guarnizione sulla vite 	STD	M 20	7803.6230.0
	HE	M 20	7803.6230.1
	STD	Pg 11	7803.6210.0
	HE	Pg 11	7803.6210.1

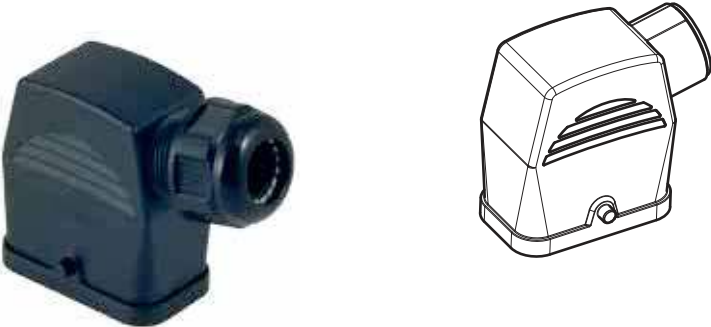
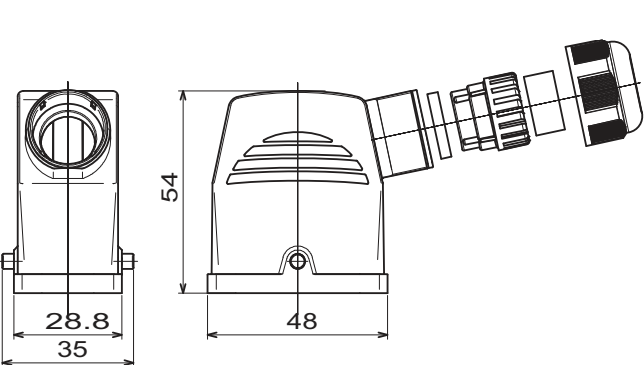
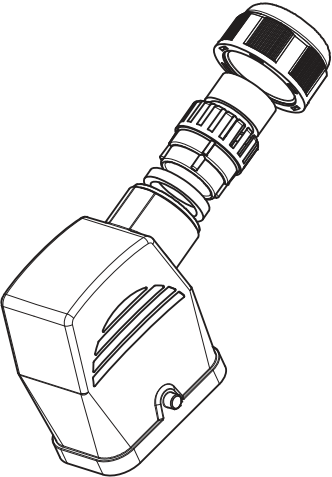
Hoods with gasket for insert S-IEC, S-CX series Custodie mobili con guarnizione per inserti serie S-IEC, S-CX	Type Tipo	Thread Filettatura	Part No. Codice
<p>Hoods top entry Custodie con ingresso verticale</p>    <p>CE (RoHS) cULUS Type 4/4x/12 cSPUS</p> <ul style="list-style-type: none"> - Type STD for standard applications - Type HE for harsh environmental requirements - For inserts size 3A, S-IEC, S-CX series - With metric thread M20 or with Pg11 - IP66 protection degree - IP67 protection degree with screw gasket <ul style="list-style-type: none"> - <i>Tipo STD: per applicazioni standard</i> - <i>Tipo HE: per applicazioni in ambienti aggressivi</i> - Per inserti grandezza 3A, Serie S-IEC, S-CX - Con filettatura metrica M20 o Pg11 - Grado di protezione IP66 - Grado di protezione IP67 con guarnizione sulla vite 	STD	M 20	for/per S-IEC 7803.6218.0 for/per S-CX 7803.6218.5
	HE	M 20	for/per S-IEC 7803.6218.1 for/per S-CX 7803.6218.6
	STD	Pg 11	for/per S-IEC 7803.6219.0 for/per S-CX 7803.6219.5
	HE	Pg 11	for/per S-IEC 7803.6219.1 for/per S-CX 7803.6219.6
<p>Hoods side entry Custodie con ingresso laterale</p>    <p>CE (RoHS) cULUS Type 4/4x/12 cSPUS</p> <ul style="list-style-type: none"> - Type STD for standard applications - Type HE for harsh environmental requirements - For inserts size 3A, S-IEC series - With metric thread M20 or with Pg11 - IP66 protection degree - IP67 protection degree with screw gasket <ul style="list-style-type: none"> - <i>Tipo STD: per applicazioni standard</i> - <i>Tipo HE: per applicazioni in ambienti aggressivi</i> - Per inserti grandezza 3A, Serie S-IEC - Con filettatura metrica M20 o Pg11 - Grado di protezione IP66 - Grado di protezione IP67 con guarnizione sulla vite 	STD	M 20	7803.6220.0
	HE	M 20	7803.6220.1
	STD	Pg 11	7803.6221.0
	HE	Pg 11	7803.6221.1


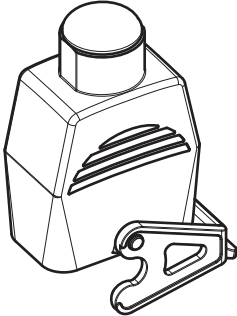
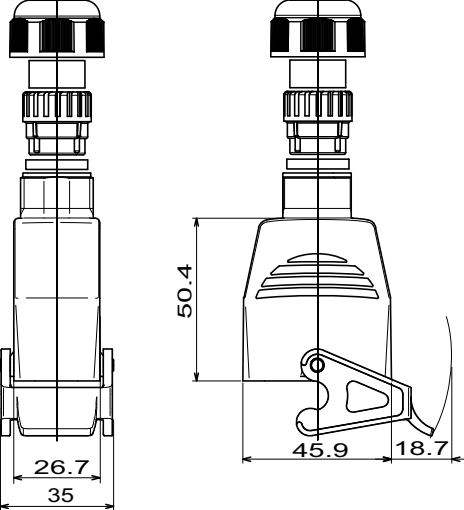

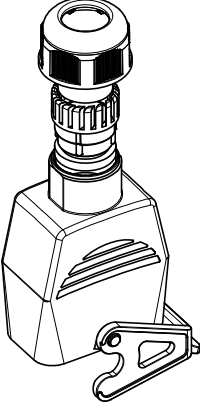
Description - Descrizione	Type Tipo	Thread Filettatura	Part No. Codice
<p>Hoods top entry with lever <i>Custodie ingresso verticale con leva</i></p>    <p>  </p> <ul style="list-style-type: none"> - Type STD for standard applications - Type HE for harsh environmental requirements - For inserts size 3A, S-A, S-D, S-Q series - With metric thread M20 or with Pg11 - IP66 protection degree - IP67 protection degree with screw gasket - Part No.A,1 = With stainless steel lever - Part No.0 = With Zinc-plated steel lever <p> - Tipo STD: per applicazioni standard - Tipo HE: per applicazioni in ambienti aggressivi - Per inserti grandezza 3A. Serie S-A, S-D, S-Q - Con filettatura metrica M20 o Pg11 - Grado di protezione IP66 - Grado di protezione IP67 con guarnizione sulla vite - Codice A,1 = Con leva in acciaio inox - Codice 0 = Con leva in acciaio zincato </p>	<p>STD</p> <p>M 20</p> <p>M 20</p> <p>HE</p> <p>M 20</p> <p>STD</p> <p>Pg 11</p> <p>Pg 11</p> <p>HE</p> <p>Pg 11</p>	<p>M 20</p> <p>M 20</p> <p>M 20</p> <p>Pg 11</p> <p>Pg 11</p> <p>Pg 11</p> <p>Pg 11</p> <p>Pg 11</p>	<p>7803.6232.0</p> <p>7803.6232.A</p> <p>7803.6232.1</p> <p>7803.6212.0</p> <p>7803.6212.A</p> <p>7803.6212.1</p>
<p>Right angle bulkhead mounting housings 1 side cable entry <i>Custodie 90° da incasso con un ingresso laterale del cavo</i></p>     <p>  </p> <ul style="list-style-type: none"> - Type STD for standard applications - Type HE for harsh environmental requirements - For inserts size 3A, S-A, S-D, S-Q series - With metric thread M20 or with Pg11 - IP66 protection degree - IP67 protection degree with screw gasket - Part No.A,1 = With stainless steel lever - Part No.0 = With Zinc-plated steel lever <p> - Tipo STD: per applicazioni standard - Tipo HE: per applicazioni in ambienti aggressivi - Per inserti grandezza 3A. Serie S-A, S-D, S-Q - Con filettatura metrica M20 o Pg11 - Grado di protezione IP66 - Grado di protezione IP67 con guarnizione sulla vite - Codice A,1 = Con leva in acciaio inox - Codice 0 = Con leva in acciaio zincato </p> <p>Panel cut out Foratura del pannello</p>	<p>STD</p> <p>M 20</p> <p>M 20</p> <p>HE</p> <p>M 20</p> <p>STD</p> <p>Pg 11</p> <p>Pg 11</p> <p>HE</p> <p>Pg 11</p>	<p>M 20</p> <p>M 20</p> <p>M 20</p> <p>M 20</p> <p>Pg 11</p> <p>Pg 11</p> <p>Pg 11</p>	<p>7803.6226.0</p> <p>7803.6226.A</p> <p>7803.6226.1</p> <p>7803.6206.0</p> <p>7803.6206.A</p> <p>7803.6206.1</p>


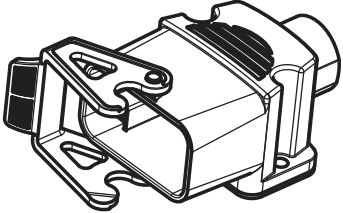
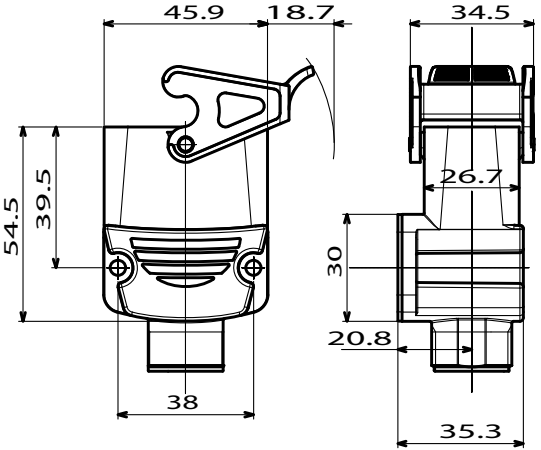

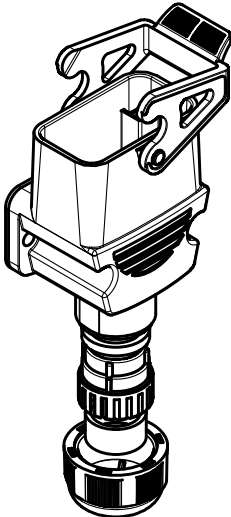
Description - Descrizione	Type Tipo	Part No. Codice
<p>Bulkhead mounting housings Custodie da incasso</p>  <p>CE (RoHS) cUL US Type 4/4x/12 cSP US</p> <ul style="list-style-type: none"> - Type STD for standard applications - Type HE for harsh environmental requirements - For inserts size 3A. S-A, S-D, S-Q, S-IEC, S-CX series - With metric thread M20 or with Pg11 - IP66 protection degree - IP67 protection degree with screw gasket - Part No.A,1 = With stainless steel lever - Part No.0 = With Zinc-plated steel lever <p>- Tipo STD: per applicazioni standard - Tipo HE: per applicazioni in ambienti aggressivi - Per inserti grandezza 3A. Serie S-A, S-D, S-Q, S-IEC, S-CX - Con filettatura metrica M20 o Pg11 - Grado di protezione IP66 - Grado di protezione IP67 con guarnizione sulla vite - Codice A,1 = Con leva in acciaio inox - Codice 0 = Con leva in acciaio zincato</p>  <p>Panel cut out Foratura del pannello</p>	<p>STD</p> <p>7803.6202.0</p> <p>STD</p> <p>7803.6202.A</p> <p>HE</p> <p>7803.6202.1</p>	
<p>Right angle bulkhead mounting housings Custodie a 90° da incasso</p>  <p>CE (RoHS) cUL US Type 4/4x/12 cSP US</p> <ul style="list-style-type: none"> - Type STD for standard applications - Type HE for harsh environmental requirements - For inserts size 3A. S-A, S-D, S-Q series - With metric thread M20 or with Pg11 - IP66 protection degree - IP67 protection degree with screw gasket - Part No.A,1 = With stainless steel lever - Part No.0 = With Zinc-plated steel lever <p>- Tipo STD: per applicazioni standard - Tipo HE: per applicazioni in ambienti aggressivi - Per inserti grandezza 3A. Serie S-A, S-D, S-Q - Con filettatura metrica M20 o Pg11 - Grado di protezione IP66 - Grado di protezione IP67 con guarnizione sulla vite - Codice A,1 = Con leva in acciaio inox - Codice 0 = Con leva in acciaio zincato</p>  <p>Panel cut out Foratura del pannello</p>	<p>STD</p> <p>7803.6204.0</p> <p>STD</p> <p>7803.6204.A</p> <p>HE</p> <p>7803.6204.1</p>	


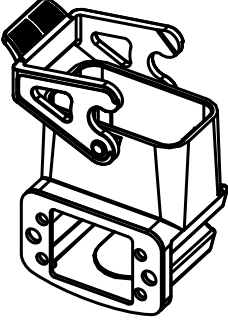
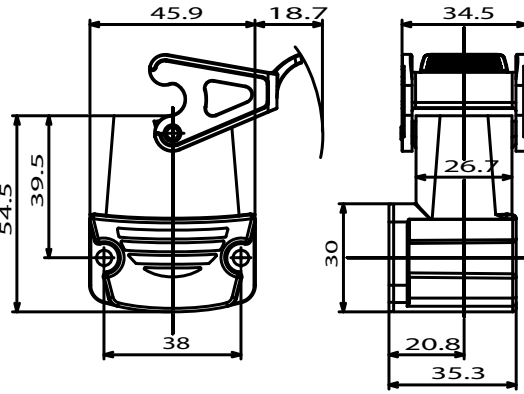




Description - Descrizione	Type Tipo	Part No. Codice
<p>With gasket for female insert - IP66/IP67 protection degree Con guarnizione per inserti femmina - Grado di protezione IP66/IP67</p>  <p>- Type: STD for standard applications HE for harsh environmental requirements -Tipo: STD per applicazioni standard HE per applicazioni in ambienti aggressivi - To be assembled on enclosures with female inserts, size 3A - Da assemblare su custodie con inserti femmina, grandezza 3A</p>  <p>CE RoHS SP US c RU US Type 4/4x/12</p>	STD	7803.6802.0
<p>For male inserts - IP66/IP67 protection degree Per inserti maschio - Grado di protezione IP66/IP67</p>  <p>- Type: STD for standard applications HE for harsh environmental requirements -Tipo: STD per applicazioni standard HE per applicazioni in ambienti aggressivi - To be assembled on enclosures with female inserts, size 3A - Da assemblare su custodie con inserti femmina, grandezza 3A</p>  <p>CE RoHS SP US c RU US Type 4/4x/12</p>	STD	7803.6804.0
<p>With gasket and lever for female insert - IP66/IP67 protection degree Con guarnizione e leva per inserti femmina - Grado di protezione IP66/IP67</p>  <p>- Type: STD for standard applications HE for harsh environmental requirements -Tipo: STD per applicazioni standard HE per applicazioni in ambienti aggressivi - To be assembled on enclosures with female inserts, size 3A - Da assemblare su custodie con inserti femmina, grandezza 3A</p>  <p>CE RoHS SP US c RU US Type 4/4x/12</p>	STD	7803.6884.A
<p>With lever for male insert - IP66/IP67 protection degree Con leva per inserti maschio - Grado di protezione IP66/IP67</p>  <p>- Type: STD for standard applications HE for harsh environmental requirements -Tipo: STD per applicazioni standard HE per applicazioni in ambienti aggressivi - To be assembled on enclosures with female inserts, size 3A - Da assemblare su custodie con inserti femmina, grandezza 3A</p>  <p>CE RoHS SP US c RU US Type 4/4x/12</p>	STD	7803.6885.A
	HE	7803.6885.1

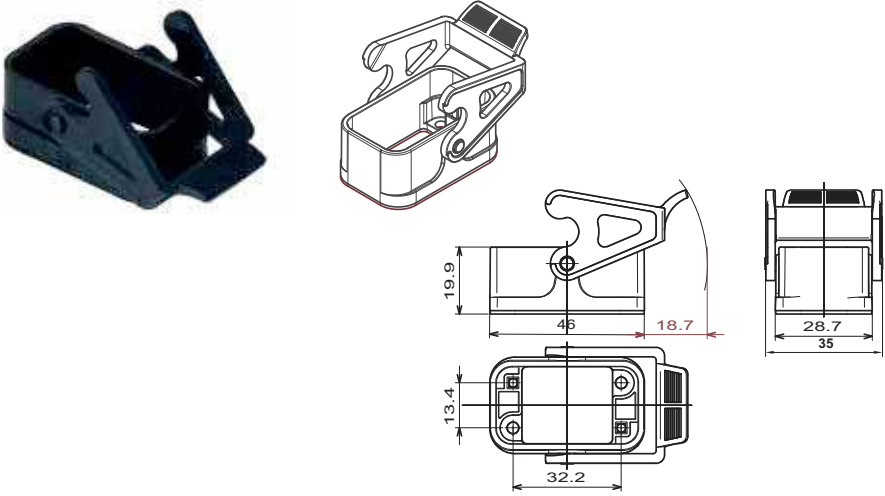
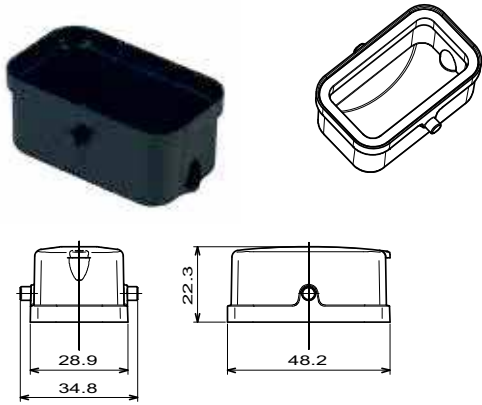
Hoods top entry - Polyamide Custodie con ingresso verticale - Poliammide	Type Tipo	Cable DIA Cavo DIA	Part No. Codice
  <p data-bbox="699 680 794 730">Hood Custodia</p>	<p data-bbox="1038 394 1086 416">STD</p> <p data-bbox="1038 465 1086 488">STD</p>	<p data-bbox="1171 394 1235 443">8 - 14 (Pg16)</p> <p data-bbox="1171 465 1235 515">11 - 18 (Pg 21)</p>	<p data-bbox="1337 322 1433 371">Hoods Custodie</p> <p data-bbox="1321 394 1449 416">7808.6646.1</p> <p data-bbox="1321 465 1449 488">7808.6648.1</p>
 <p data-bbox="699 1167 826 1216">Cable gland Pressacavo</p>	<p data-bbox="1034 875 1098 925">STD Plastic</p> <p data-bbox="1034 947 1098 996">STD Plastic</p>	<p data-bbox="1171 875 1235 925">8 - 14 (Pg16)</p> <p data-bbox="1171 947 1235 996">11 - 18 (Pg 21)</p>	<p data-bbox="1315 801 1458 851">Cable glands Pressacavi</p> <p data-bbox="1321 875 1449 898">7000.6902.1</p> <p data-bbox="1321 947 1449 969">7000.6903.1</p>
 <p data-bbox="699 1760 938 1809">Hood + cable gland Custodia + pressacavo</p> <div data-bbox="188 1704 624 1753"> <p>CE RoHS cUL US Type 4/4x/12 CSA US</p> </div> <ul data-bbox="137 1760 635 2033" style="list-style-type: none"> - Type: STD for standard application - Material: Polyamide g.f. black RAL 9005 - Flammability: UL 94 V0 - IP66 / IP67 protection degree - Cable gland: Polyamide UL 94 V-0 - Tipo: STD per applicazioni standard - Materiale: Poliammide + vetro nero RAL 9005 - Autoestinguenza: UL 94 V0 - Grado di protezione IP66 / IP67 - Pressacavo: Poliammide UL 94 V-0 	<p data-bbox="1038 1352 1086 1375">STD</p> <p data-bbox="1038 1424 1086 1447">STD</p>	<p data-bbox="1171 1352 1235 1402">8 - 14 (Pg16)</p> <p data-bbox="1171 1424 1235 1473">11 - 18 (Pg 21)</p>	<p data-bbox="1267 1285 1506 1335">Hoods + cable glands Custodie + pressacavi</p> <p data-bbox="1321 1352 1449 1375">7908.6646.1</p> <p data-bbox="1321 1424 1449 1447">7908.6648.1</p>

Hoods side entry - Polyamide <i>Custodie con ingresso orizzontale - Poliammide</i>	Type <i>Tipo</i>	Cable DIA <i>Cavo DIA</i>	Part No. <i>Codice</i>
 <p style="text-align: center;">Hood <i>Custodia</i></p>	<p>STD</p> <p>STD</p>	<p>8 - 14 (Pg16)</p> <p>11 - 18 (Pg 21)</p>	<p>Hoods <i>Custodie</i></p> <p>7808.6640.1</p> <p>7808.6643.1</p>
 <p style="text-align: center;">Cable gland <i>Pressacavo</i></p>	<p>STD Plastic</p> <p>STD Plastic</p>	<p>8 - 14 (Pg16)</p> <p>11 - 18 (Pg 21)</p>	<p>Cable glands <i>Pressacavi</i></p> <p>7000.6902.1</p> <p>7000.6903.1</p>
 <p style="text-align: center;">Hood + cable gland <i>Custodia + pressacavo</i></p> <p>CE RoHS UL US Type 4/4x/12 CSA US</p> <ul style="list-style-type: none"> - Type: STD for standard application - Material: Polyamide g.f. black RAL 9005 - Flammability: UL 94 V0 - IP66 / IP67 protection degree - Cable gland: Polyamide UL 94 V-0 <ul style="list-style-type: none"> - Tipo: STD per applicazioni standard - Materiale: Poliammide + vetro nero RAL 9005 - Autoestinguenza: UL 94 V0 - Grado di protezione IP66 / IP67 - Pressacavo: Poliammide UL 94 V-0 	<p>STD</p> <p>STD</p>	<p>8 - 14 (Pg16)</p> <p>11 - 18 (Pg 21)</p>	<p>Hoods + cable glands <i>Custodie + pressacavi</i></p> <p>7908.6640.1</p> <p>7908.6643.1</p>

Hoods top entry with lever - Polyamide <i>Custodie con ingresso verticale chiusura a leva - Poliammide</i>	Type <i>Tipo</i>	Cable DIA <i>Cavo DIA</i>	Part No. <i>Codice</i>
  <p data-bbox="786 685 879 734">Hoods Custodia</p>	<p data-bbox="1042 394 1090 416">STD</p> <p data-bbox="1042 465 1090 488">STD</p>	<p data-bbox="1169 394 1241 443">8 - 14 (Pg16)</p> <p data-bbox="1169 465 1241 515">11 - 18 (Pg 21)</p>	<p data-bbox="1337 322 1430 371">Hoods Custodie</p> <p data-bbox="1321 394 1445 416">7808.6667.1</p> <p data-bbox="1321 465 1445 488">7808.6668.1</p>
  <p data-bbox="786 1178 906 1227">Cable gland Pressacavo</p>	<p data-bbox="1034 875 1098 925">STD Plastic</p> <p data-bbox="1034 947 1098 996">STD Plastic</p>	<p data-bbox="1169 875 1241 925">8 - 14 (Pg16)</p> <p data-bbox="1169 947 1241 996">11 - 18 (Pg 21)</p>	<p data-bbox="1313 804 1453 853">Cable glands Pressacavi</p> <p data-bbox="1321 875 1445 898">7000.6902.1</p> <p data-bbox="1321 947 1445 969">7000.6903.1</p>
 <p data-bbox="699 1794 935 1843">Hood + cable gland Custodia + pressacavo</p> <ul data-bbox="137 1760 632 2033" style="list-style-type: none"> - Type: STD for standard application - Material: Polyamide g.f. black RAL 9005 - Flammability: UL 94 V0 - IP66 / IP67 protection degree - Cable gland: Polyamide UL 94 V-0 - Tipo: STD per applicazioni standard - Materiale: Poliammide + vetro nero RAL 9005 - Autoestinguenza: UL 94 V0 - Grado di protezione IP66 / IP67 - Pressacavo: Poliammide UL 94 V-0 	<p data-bbox="1042 1357 1090 1379">STD</p> <p data-bbox="1042 1429 1090 1451">STD</p>	<p data-bbox="1169 1357 1241 1406">8 - 14 (Pg16)</p> <p data-bbox="1169 1429 1241 1478">11 - 18 (Pg 21)</p>	<p data-bbox="1270 1285 1497 1335">Hoods + cable glands Custodie + pressacavi</p> <p data-bbox="1321 1357 1445 1379">7908.6667.1</p> <p data-bbox="1321 1429 1445 1451">7908.6668.1</p>

Right angle bulkhead mounting housing with 1 cable entry - Polyamide Custodie a 90° da incasso con ingresso del cavo - Poliammide	Type Tipo	Cable DIA Cavo DIA	Part No. Codice
  <p style="text-align: center;">Hood Custodia</p>	STD STD	8 - 14 (Pg16) 11 - 18 (Pg 21)	Hoods Custodie 7808.6663.1 7808.6664.1
  <p style="text-align: center;">Cable gland Pressacavo</p>	STD Plastic STD Plastic	8 - 14 (Pg16) 11 - 18 (Pg 21)	Cable glands Pressacavi 7000.6902.1 7000.6903.1
 <p style="text-align: center;">Hood + cable gland Custodia + pressacavo</p> <p> CE (RoHS) cUL_{us} Type 4/4x/12 cUL_{us} </p> <ul style="list-style-type: none"> - Type: STD for standard application - Material: Polyamide g.f. black RAL 9005 - Flammability: UL 94 V0 - IP66 / IP67 protection degree - Cable gland: Polyamide UL 94 V-0 <ul style="list-style-type: none"> - Tipo: STD per applicazioni standard - Materiale: Poliammide + vetro nero RAL 9005 - Autoestinguenza: UL 94 V0 - Grado di protezione IP66 / IP67 - Pressacavo: Poliammide UL 94 V-0 	STD STD	8 - 14 (Pg16) 11 - 18 (Pg 21)	Hoods + cable glands Custodie + pressacavi 7908.6663.1 7908.6664.1

Right angle bulkhead mounting housing - Polyamide Custodie a 90° da incasso - Poliammide	Type Tipo	Part No. Codice
<div style="display: flex; justify-content: space-around; align-items: center;">   </div> <div style="display: flex; justify-content: center; margin-top: 20px;">  </div> <div style="margin-top: 20px;"> <p>     </p> <ul style="list-style-type: none"> - Type: STD for standard application - Material: Polyamide g.f. black RAL 9005 - Flammability: UL 94 V0 - IP66 / IP67 protection degree <ul style="list-style-type: none"> - Tipo: STD per applicazioni standard - Materiale: Poliammide + vetro nero RAL 9005 - Autoestinguenza: UL 94 V0 - Grado di protezione IP66 / IP67 </div>	STD	7808.6669.1

Bulkhead housing with single locking system, 1 lever - Polyamide <i>Custodie da incasso, chiusura singola, 1 leva - Poliammide</i>	Type <i>Tipo</i>	Part No. <i>Codice</i>
 <p>CE RoHS UL US Type 4/4x/12 SP US</p> <ul style="list-style-type: none"> - Type: STD for standard application - Material: Polyamide g.f. black RAL 9005 - Flammability: UL 94 V0 - IP66 / IP67 protection degree - Tipo: STD per applicazioni standard - Materiale: Poliammide + vetro nero RAL 9005 - Autoestinguenza: UL 94 V0 - Grado di protezione IP66 / IP67 <p>Panel cut out <i>Foratura del pannello</i></p>	STD	7808.6660.1
<p>Covers - Polyamide <i>Coperchi in - Poliammide</i></p>  <p>With gasket for female inserts <i>Con guarnizione per inserti femmina</i></p> <p>Without gasket for male inserts <i>Senza guarnizione per inserti maschio</i></p> <p>CE RoHS UL US Type 4/4x/12 SP US</p> <ul style="list-style-type: none"> - Type: STD for standard application - Material: Polyamide g.f. black RAL 9005 - Flammability: UL 94 V0 - IP66 / IP67 protection degree - Tipo: STD per applicazioni standard - Materiale: Poliammide + vetro nero RAL 9005 - Autoestinguenza: UL 94 V0 - Grado di protezione IP66 / IP67 	STD	7808.6665.1

Hoods side entry - metal type Custodie con ingresso orizzontale - metalliche		Type Tipo	Thread Filettatura	Cable DIA Cavo DIA	Part No. Codice	
<div style="display: flex; justify-content: space-around;"> <div style="text-align: center;"> <p>HE</p>  </div> <div style="text-align: center;"> <p>EMC</p>  </div> </div> <div style="display: flex; justify-content: space-around; margin-top: 20px;"> <div style="text-align: center;">  <p>76</p> </div> <div style="text-align: center;">  <p>35 28,8</p> </div> </div>	STD	M20	6 - 14 (1)	7808.6650.5		
	STD	M25	11 - 18 (2)	7808.6651.5		
	STD	Pg11	4 - 10 (3)	7808.6657.5		
	STD	Pg16	8 - 14 (4)	7808.6659.5		
	HE	M20	6 - 14 (1)	7808.6650.6		
	HE	M25	11 - 18 (2)	7808.6651.6		
	HE	Pg11	4 - 10 (3)	7808.6657.6		
	HE	Pg16	8 - 14 (4)	7808.6659.6		
	EMC	M20	6 - 14 (1)	7808.6650.9		
	EMC	M25	11 - 18 (2)	7808.6651.9		
	EMC	Pg11	4 - 10 (3)	7808.6657.9		
	EMC	Pg16	8 - 14 (4)	7808.6659.9		
					EMC gasket for male inserts Guarnizione EMC per inserti maschio	5121.152X.4



Technical characteristics


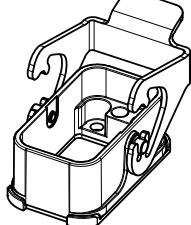
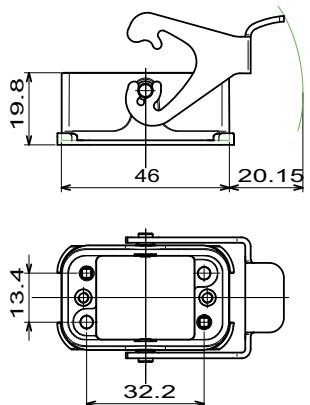




- High impact resistance
- Material: Die cast aluminium alloy
- With metric thread M20 or M25
- IP66 / IP69 protection degree
- **Type: STD for standard applications grey color RAL 7037**
- **Type: HE for harsh environmental application black color RAL 9005**
- Polyester powder coated
- **Type: EMC for EMC application**
- Surface with high conductivity
- EMC gasket for male inserts: conductive elastomer

Caratteristiche tecniche

- Alta resistenza agli urti
- Materiale: Lega di alluminio pressofusa
- Con filettatura metrica M20 o M25
- Grado di protezione IP66 / IP69
- **Tipo: STD per applicazioni standard colore grigio RAL 7037**
- **Tipo: HE per applicazioni in ambienti aggressivi, colore nero RAL 9005**
- Verniciatura con polveri poliestere
- **Tipo: EMC per applicazioni dove é richiesta la compatibilità elettromagnetica**
- Superficie ad alta conduttività
- Guarnizione EMC per inserti maschio: elastomero conduttivo

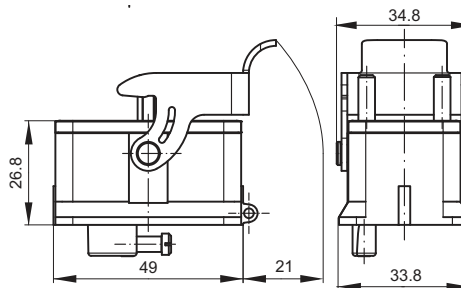
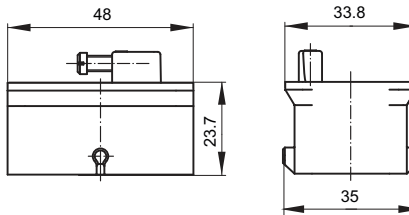
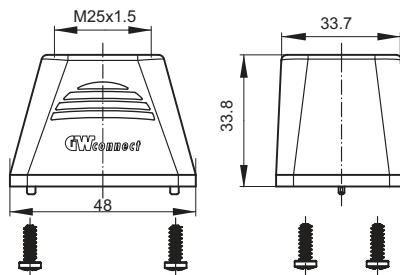
- (1) With IP68 metal cable gland M20 Molex Part No.7000.6831.0 or EMC type
- (1) Con pressacavo metallico IP68 M20 Codice Molex 7000.6831.0 o tipo EMC
- (2) With IP68 metal cable gland M25 Molex Part No.7000.6832.0 or EMC type
- (2) Con pressacavo metallico IP68 M25 Codice Molex 7000.6832.0 o tipo EMC
- (3) With IP68 metal cable gland Pg11 Molex Part No.7000.6825.0 or EMC type
- (3) Con pressacavo metallico IP68 Pg11 Codice Molex 7000.6825.0 o tipo EMC
- (4) With IP68 metal cable gland Pg16 Molex Part No.7000.6827.0 or EMC type
- (4) Con pressacavo metallico IP68 Pg16 Codice Molex 7000.6827.0 o tipo EMC

Hoods top entry - metal type Custodie con ingresso verticale - metalliche		Type Tipo	Thread Filettatura	Cable DIA Cavo DIA	Part No. Codice	
<div style="display: flex; justify-content: space-around;"> <div style="text-align: center;"> <p>HE</p>  </div> <div style="text-align: center;"> <p>EMC</p>  </div> </div> <div style="display: flex; justify-content: space-around; margin-top: 20px;">   </div>	STD	M20	6 - 14 (1)	7808.6654.5		
	STD	M25	11 - 18 (2)	7808.6655.5		
	STD	Pg11	4 - 10 (3)	7808.6670.5		
	STD	Pg16	8 - 14 (4)	7808.6672.5		
	HE	M20	6 - 14 (1)	7808.6654.6		
	HE	M25	11 - 18 (2)	7808.6655.6		
	HE	Pg11	4 - 10 (3)	7808.6670.6		
	HE	Pg16	8 - 14 (4)	7808.6672.6		
	EMC	M20	6 - 14 (1)	7808.6654.9		
	EMC	M25	11 - 18 (2)	7808.6655.9		
	EMC	Pg11	4 - 10 (3)	7808.6670.9		
	EMC	Pg16	8 - 14 (4)	7808.6672.9		
	<p>CE (RoHS) cULus Type 4/4x/12 cSR^{US}</p> <p>Technical characteristics</p> <ul style="list-style-type: none"> - High impact resistance - Material: Die cast aluminium alloy - With metric thread M20 or M25 - IP66 / IP69 protection degree - Type: STD for standard applications grey color RAL 7037 - Type: HE for harsh environmental application black color RAL 9005 - Polyester powder coated - Type: EMC for EMC application - Surface with high conductivity - EMC gasket for male inserts: conductive elastomer <p>Caratteristiche tecniche</p> <ul style="list-style-type: none"> - Alta resistenza agli urti - Materiale: Lega di alluminio pressofusa - Con filettatura metrica M20 o M25 - Grado di protezione IP66 / IP69 - Tipo: STD per applicazioni standard colore grigio RAL 7037 - Tipo: HE per applicazioni in ambienti aggressivi, colore nero RAL 9005 - Verniciatura con polveri poliestere - Tipo: EMC per applicazioni dove é richiesta la compatibilità elettromagnetica - Superficie ad alta conduttività - Guarnizione EMC per inserti maschio: elastomero conduttivo <p>(1) With IP68 metal cable gland M20 Molex Part No.7000.6831.0 or EMC type (1) Con pressacavo metallico IP68 M20 Codice Molex 7000.6831.0 o tipo EMC (2) With IP68 metal cable gland M25 Molex Part No.7000.6832.0 or EMC type (2) Con pressacavo metallico IP68 M25 Codice Molex 7000.6832.0 o tipo EMC (3) With IP68 metal cable gland Pg11 Molex Part No.7000.6825.0 or EMC type (3) Con pressacavo metallico IP68 Pg11 Codice Molex 7000.6825.0 o tipo EMC (4) With IP68 metal cable gland Pg16 Molex Part No.7000.6827.0 or EMC type (4) Con pressacavo metallico IP68 Pg16 Codice Molex 7000.6827.0 o tipo EMC</p>					
	<p>EMC gasket for male inserts Guarnizione EMC per inserti maschio</p>					5121.152X.4

Metal bulkhead housing with single locking system, 1 lever <i>Custodie metalliche da incasso, chiusura singola, 1 leva</i>	Type <i>Tipo</i>	Part No. <i>Codice</i>
<p style="text-align: center;">HE type</p>    <p style="text-align: center;">     </p> <p>Technical characteristics</p> <ul style="list-style-type: none"> - High impact resistance - Material: Die cast aluminium alloy - IP66 / IP69 protection degree - Type: STD for standard applications grey color RAL 7037 - Type: HE for harsh environmental application, black color RAL 9005 - Polyester powder coated - Type: EMC for EMC application - Surface with high conductivity - EMC gasket for male inserts: conductive elastomer <p>Caratteristiche tecniche</p> <ul style="list-style-type: none"> - Alta resistenza agli urti - Materiale: Lega di alluminio pressofusa - Grado di protezione IP66 / IP69 - Tipo: STD per applicazioni standard colore grigio RAL 7037 - Tipo: HE per applicazioni in ambienti aggressivi, colore nero RAL 9005 - Verniciatura con polveri poliestere - Tipo: EMC per applicazioni dove é richiesta la compatibilità elettromagnetica - Superficie ad alta conduttività - Guarnizione EMC per inserti maschio: elastomero conduttivo 	<p>STD</p> <p>HE</p> <p>EMC</p> <p>EMC gasket for male inserts <i>Guarnizione EMC per inserti maschio</i></p>	<p>7808.6662.0</p> <p>7808.6662.1</p> <p>7808.6662.4</p> <p>5121.152X.4</p>

Enclosure with cable top entry for EMC or standard applications
 Custodie con ingresso cavi verticale per applicazioni EMC o standard

Part No.
 Codice



7801.0565.4

7801.0575.4

7801.0580.4



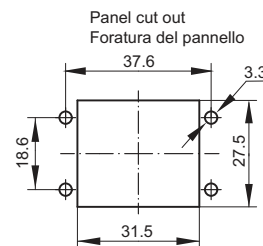
Technical characteristics

- High impact resistance
- Material: Die cast zinc alloy
- With metric thread M25
- IP66 protection degree
- **Type: EMC for EMC and standard applications**
- Surface with high conductivity nickel plated

Caratteristiche tecniche

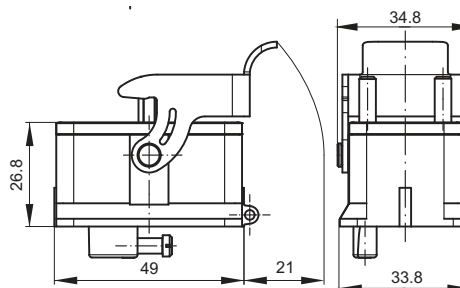
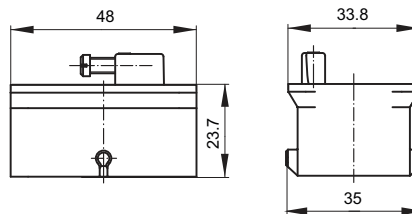
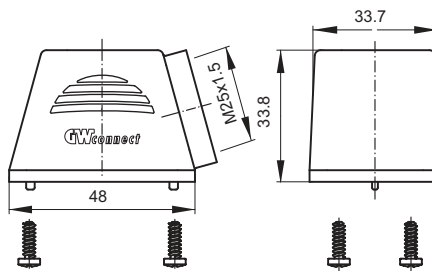
- Alta resistenza agli urti
- Materiale: Lega di zinco pressofusa
- Con filettatura metrica M25
- Grado di protezione IP66
- **Tipo: EMC per applicazioni dove è richiesta la compatibilità elettromagnetica e per applicazioni standard**
- Superficie ad alta conduttività nichelata
- Guarnizione EMC per inserti maschio: elastomero conduttivo

(1) With IP68 metal cable gland M25 Molex Part No.7000.6832.0 or EMC type
 (1) Con pressacavo metallico IP68 M25 Codice Molex 7000.6832.0 o tipo EMC



Enclosure with cable side entry for EMC or standard applications
 Custodie con ingresso cavi orizzontale per applicazioni EMC o standard

Part No.
 Codice



7801.0590.4

7801.0575.4

7801.0580.4



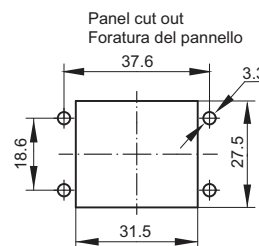
Technical characteristics

- High impact resistance
- Material: Die cast zinc alloy
- With metric thread M25
- IP66 protection degree
- **Type: EMC for EMC and standard applications**
- Surface with high conductivity nickel plated


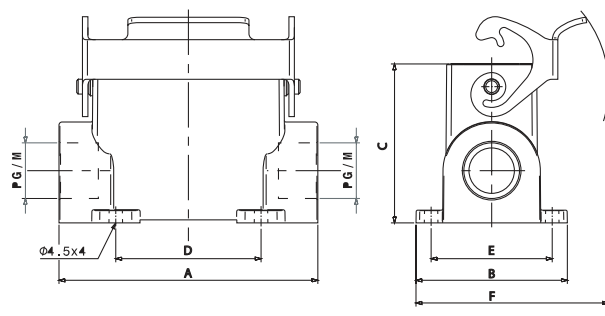
Caratteristiche tecniche

- Alta resistenza agli urti
- Materiale: Lega di zinco pressofusa
- Con filettatura metrica M25
- Grado di protezione IP66
- **Tipo: EMC per applicazioni dove é richiesta la compatibilità elettromagnetica e per applicazioni standard**
- Superficie ad alta conduttività nichelata
- Guarnizione EMC per inserti maschio: elastomero conduttivo





(1) With IP68 metal cable gland M25 Molex Part No.7000.6832.0 or EMC type
 (1) Con pressacavo metallico IP68 M25 Codice Molex 7000.6832.0 o tipo EMC






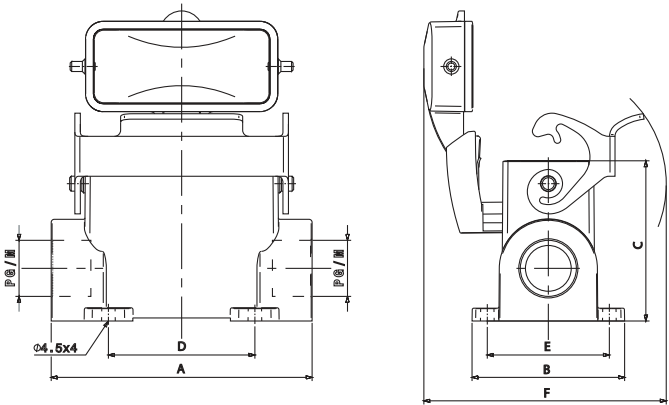
Surface mounting housings Custodie da parete		Size Grandezza	Thread Filettatura	No. of poles No. poli *	Part No. Codice
 		10A «49 x16»	M 20	10	7810.4501.0
		10A «49 x16»	M 20X2	10	7810.4502.0
		10A «49 x16»	M 25	10	7810.4503.0
		10A «49 x16»	M 25X2	10	7810.4504.0
		10A «49 x16»	Pg 16	10	7810.4505.0
		10A «49 x16»	Pg 16X2	10	7810.4506.0
		10A «49 x16»	Pg 21	10	7810.4507.0
		10A «49 x16»	Pg 21X2	10	7810.4508.0
		16A «66 x16»	M 20	16	7816.4521.0
		16A «66 x16»	M 20X2	16	7816.4522.0
		16A «66 x16»	M 25	16	7816.4523.0
		16A «66 x16»	M 25X2	16	7816.4524.0
		16A «66 x16»	Pg 16	16	7816.4525.0
		16A «66 x16»	Pg 16X2	16	7816.4526.0
		16A «66 x16»	Pg 21	16	7816.4527.0
		16A «66 x16»	Pg 21X2	16	7816.4528.0

Size Grandezza	Poles Poli *	A	B	C	D	E	F
10A «49x16»	10	85,5	50	52,5	48	40	63,6
16A «66x16»	16	102	50	57	64	40	63,6










- Type: STD for standard applications up to 500V for S-A, S-D inserts
 Tipo: STD per applicazioni standard fino a 500V per inserti S-A, S-D
- IP66/IP69 protection degree
 Grado di protezione IP66/IP69
- 1 entry or 2 entries
 1 o 2 ingressi

* Number of poles with S-A inserts
 Numero di poli con inserti S-A


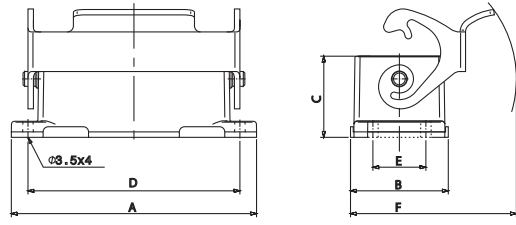
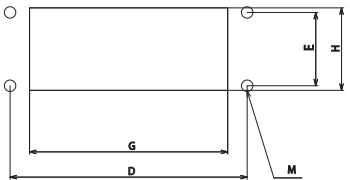
Surface mounting housings with cover Custodie da parete con coperchio		Size Grandezza	Thread Filettatura	No. of poles No. poli *	Part No. Codice
 		10A «49x16»	M 20	10	7810.4511.0
		10A «49x16»	M 20X2	10	7810.4512.0
		10A «49x16»	M 25	10	7810.4513.0
		10A «49x16»	M 25X2	10	7810.4514.0
		10A «49x16»	Pg 16	10	7810.4515.0
		10A «49x16»	Pg 16X2	10	7810.4516.0
		10A «49x16»	Pg 21	10	7810.4517.0
		10A «49x16»	Pg 21X2	10	7810.4518.0
		16A «66x16»	M 20	16	7816.4531.0
		16A «66x16»	M 20X2	16	7816.4532.0
		16A «66x16»	M 25	16	7816.4533.0
		16A «66x16»	M 25X2	16	7816.4534.0
		16A «66x16»	Pg 16	16	7816.4535.0
		16A «66x16»	Pg 16X2	16	7816.4536.0
		16A «66x16»	Pg 21	16	7816.4537.0
		16A «66x16»	Pg 21X2	16	7816.4538.0

Size Grandezza	Poles Poli *	A	B	C	D	E	F
10A «49x16»	10	85,5	50	52,5	48	40	79,4
16A «66x16»	16	102	50	57	64	40	79,4










- Type: STD for standard applications up to 500V for S-A, S-D inserts
- Tipo: STD per applicazioni standard fino a 500V per inserti S-A, S-D
- IP66/IP69 protection degree
- Grado di protezione IP66/IP69
- 1 entry or 2 entries
- 1 o 2 ingressi

* Number of poles with S-A inserts
 Numero di poli con inserti S-A


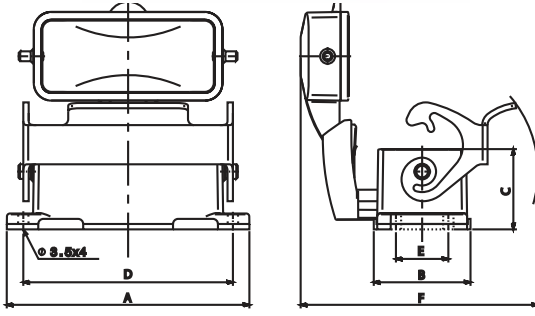
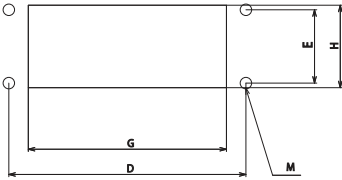
Bulkhead mounting housings Custodie da incasso		Size Grandezza	No. of poles No. poli *	Part No. Codice
   <p>Panel cut out Foratura del pannello</p>		10A «49x16»	10	7810.4541.0
		16A «66x16»	16	7816.4543.0

Size Grandezza	Poles Poli *	A	B	C	D	E	F	G	H	M
10A «49x16»	10	81	32,3	26,8	70	17,5	54,8	57	24	3,5
16A «66x16»	16	96	32,3	26,8	86	17,5	54,8	73	24	3,5










- Type: STD for standard applications up to 500V for S-A, S-D inserts
 Tipo: STD per applicazioni standard fino a 500V per inserti S-A, S-D
- IP66/IP69 protection degree
 Grado di protezione IP66/IP69

* Number of poles with S-A inserts
 Numero di poli con inserti S-A


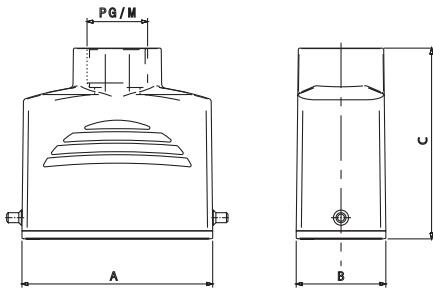

Bulkhead mounting housings with cover Custodie da incasso con coperchio		Size Grandezza	No. of poles No. poli *	Part No. Codice
   <p>Panel cut out Foratura del pannello</p>		10A «49x16»	10	7810.4542.0
		16A «66x16»	16	7816.4544.0


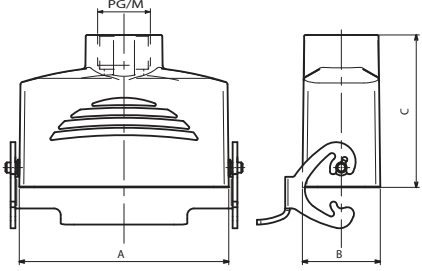
Size Grandezza	Poles Poli *	A	B	C	D	E	F	G	H	M
10A «49x16»	10	81	32,3	26,8	70	17,5	79,4	57	24	3,5
16A «66x16»	16	96	32,3	26,8	86	17,5	79,4	73	24	3,5


- Type: STD for standard applications up to 500V for S-A, S-D inserts
 Tipo: STD per applicazioni standard fino a 500V per inserti S-A, S-D
- IP66/IP69 protection degree
 Grado di protezione IP66/IP69

* Number of poles with S-A inserts
 Numero di poli con inserti S-A

Hoods top entry with 2 pegs for one lever Custodie con ingresso verticale con 2 perni per una leva		Size Grandezza	Thread Filettatura	No. of poles No. poli *	Part No. Codice															
		10A «49x16»	M 20	10	7810.4550.0															
		10A «49x16»	M 25	10	7810.4551.0															
		10A «49x16»	Pg 13,5	10	7810.4552.0															
		10A «49x16»	Pg 16	10	7810.4553.0															
		16A «66x16»	M 20	16	7816.4555.0															
		16A «66x16»	M 25	16	7816.4556.0															
		16A «66x16»	Pg 13,5	16	7816.4557.0															
		16A «66x16»	Pg 16	16	7816.4558.0															
																				
		<table border="1"> <thead> <tr> <th>Size Grandezza</th> <th>Poles Poli *</th> <th>A</th> <th>B</th> <th>C</th> </tr> </thead> <tbody> <tr> <td>10A «49x16»</td> <td>10</td> <td>63</td> <td>29,6</td> <td>63</td> </tr> <tr> <td>16A «66x16»</td> <td>16</td> <td>79,5</td> <td>29,6</td> <td>63</td> </tr> </tbody> </table>				Size Grandezza	Poles Poli *	A	B	C	10A «49x16»	10	63	29,6	63	16A «66x16»	16	79,5	29,6	63
Size Grandezza	Poles Poli *	A	B	C																
10A «49x16»	10	63	29,6	63																
16A «66x16»	16	79,5	29,6	63																
<p>  </p> <ul style="list-style-type: none"> - Type: STD for standard applications up to 500V for S-A, S-D inserts - <i>Tipo: STD per applicazioni standard fino a 500V per inserti S-A, S-D</i> - IP66/IP69 protection degree - <i>Grado di protezione IP66/IP69</i> - For IP66 and IP68 cable glands - <i>Per pressacavi IP66 e IP68</i> <p>* Number of poles with S-A inserts <i>Numero di poli con inserti S-A</i></p>																				


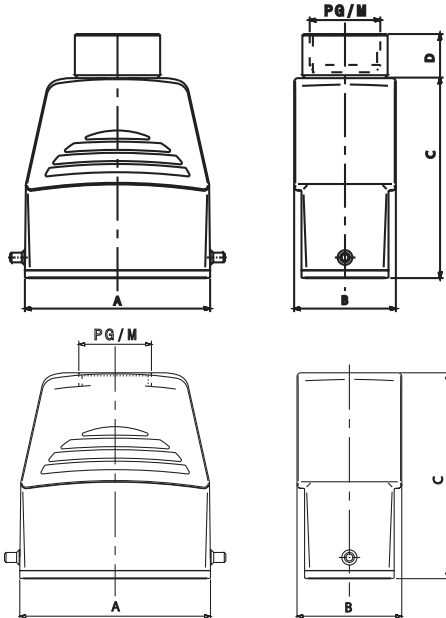
Hoods top entry with 2 pegs for one lever <i>Custodie con ingresso verticale con 2 perni per una leva</i>		Size <i>Grandezza</i>	Thread <i>Filettatura</i>	No. of poles <i>No. poli *</i>	Part No. <i>Codice</i>
	10A «49x16»	M 20	10	7810.4490.0	
	10A «49x16»	M 25	10	7810.4491.0	
	10A «49x16»	Pg 13,5	10	7810.4492.0	
	10A «49x16»	Pg 16	10	7810.4493.0	
	16A «66x16»	M 20	16	7816.4994.0	
	16A «66x16»	M 25	16	7816.4995.0	
	16A «66x16»	Pg 13,5	16	7816.4996.0	
	16A «66x16»	Pg 16	16	7816.4997.0	
					

Size <i>Grandezza</i>	Poles <i>Poli *</i>	A	B	C
10A «49x16»	10	63	29,6	58
16A «66x16»	16	79,5	29,6	58




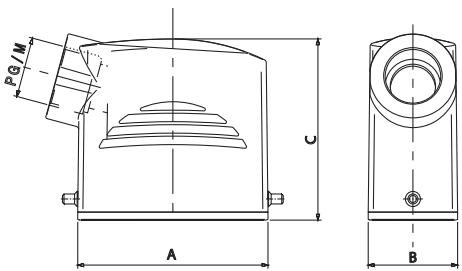
- Type: STD for standard applications up to 500V for S-A, S-D inserts
Tipo: STD per applicazioni standard fino a 500V per inserti S-A, S-D
- IP66/IP69 protection degree
Grado di protezione IP66/IP69
- For IP66 and IP68 cable glands
Per pressacavi IP66 e IP68

* Number of poles with S-A inserts
Numero di poli con inserti S-A





Hoods top entry with 2 pegs for one lever <i>Custodie con ingresso verticale con 2 perni per una leva</i>	Size <i>Grandezza</i>	Thread <i>Filettatura</i>	No. of poles <i>No. poli *</i>	Part No. <i>Codice</i>																						
<p>With threaded fitting part No. "0" <i>Con raccordo filettato cod. "0"</i></p> <p>Without threaded fitting part No. "5" <i>Senza raccordo filettato cod. "5"</i></p>  <p>HC - High construction <i>HC - Costruzione alta</i></p>  <table border="1" data-bbox="598 840 805 1052"> <thead> <tr> <th>Thread <i>Filettatura</i></th> <th>D</th> </tr> </thead> <tbody> <tr> <td>M 20</td> <td>12</td> </tr> <tr> <td>M 25</td> <td>13</td> </tr> <tr> <td>Pg16</td> <td>12</td> </tr> <tr> <td>Pg21</td> <td>13</td> </tr> </tbody> </table> <table border="1" data-bbox="191 1433 726 1579"> <thead> <tr> <th>Size <i>Grandezza</i></th> <th>A</th> <th>B</th> <th>C</th> </tr> </thead> <tbody> <tr> <td>10A «49x16»</td> <td>63</td> <td>34,6</td> <td>68</td> </tr> <tr> <td>16A «66x16»</td> <td>79,5</td> <td>34,6</td> <td>71</td> </tr> </tbody> </table>	Thread <i>Filettatura</i>	D	M 20	12	M 25	13	Pg16	12	Pg21	13	Size <i>Grandezza</i>	A	B	C	10A «49x16»	63	34,6	68	16A «66x16»	79,5	34,6	71	10A «49x16»	M 20	10	7810.4561.0
	Thread <i>Filettatura</i>	D																								
	M 20	12																								
	M 25	13																								
	Pg16	12																								
	Pg21	13																								
	Size <i>Grandezza</i>	A	B	C																						
	10A «49x16»	63	34,6	68																						
	16A «66x16»	79,5	34,6	71																						
	10A «49x16»	M 25	10	7810.4562.0																						
10A «49x16»	Pg 16	10	7810.4563.0																							
10A «49x16»	Pg 21	10	7810.4564.0																							
10A «49x16»	*	10	7810.4565.0																							
10A «49x16»	M 20	10	7810.4561.5																							
10A «49x16»	M 25	10	7810.4562.5																							
10A «49x16»	Pg 16	10	7810.4563.5																							
10A «49x16»	Pg 21	10	7810.4564.5																							
16A «66x16»	M 20	16	7816.4566.0																							
16A «66x16»	M 25	16	7816.4567.0																							
16A «66x16»	Pg 16	16	7816.4568.0																							
16A «66x16»	Pg 21	16	7816.4569.0																							
16A «66x16»	*	16	7816.4570.0																							
16A «66x16»	M 20	16	7816.4566.5																							
16A «66x16»	M 25	16	7816.4567.5																							
16A «66x16»	Pg 16	16	7816.4568.5																							
16A «66x16»	Pg 21	16	7816.4569.5																							



- Type: STD for standard applications up to 500V for S-A, S-D inserts
Tipo: STD per applicazioni standard fino a 500V per inserti S-A, S-D
- IP66/IP69 protection degree
Grado di protezione IP66/IP69
- With threaded fitting for IP66 and IP68 cable glands, part number "0"
Con raccordo filettato per pressacavi IP66 e IP68, codice "0"
- Without threaded fitting recommended for IP68 cable glands, part no. "5"
Senza raccordo filettato raccomandato per pressacavi IP68, codice "5"
- * Without cable entry
Senza ingresso cavi
- * Number of poles with S-A inserts
Numero di poli con inserti S-A


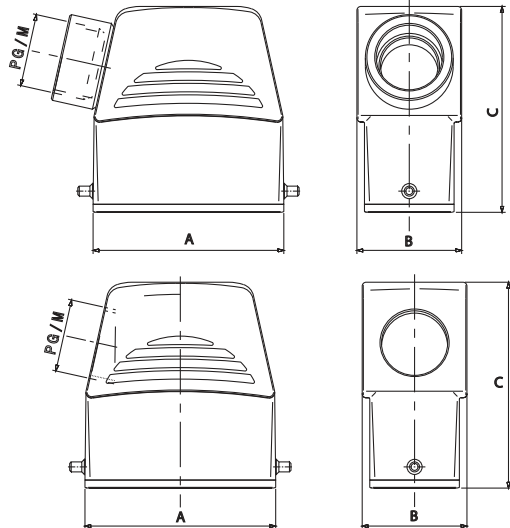
Hoods side entry with 2 pegs for one lever <i>Custodie con ingresso orizzontale con 2 perni per una leva</i>		Size <i>Grandezza</i>	Thread <i>Filettatura</i>	No. of poles <i>No. poli *</i>	Part No. <i>Codice</i>
 		10A «49x16»	M 20	10	7810.4571.0
		10A «49x16»	M 25	10	7810.4572.0
		10A «49x16»	Pg 16	10	7810.4573.0
		16A «66x16»	M 20	16	7816.4575.0
		16A «66x16»	M 25	16	7816.4576.0
		16A «66x16»	Pg 16	16	7816.4577.0

Size <i>Grandezza</i>	Poles <i>Poli *</i>	A	B	C
10A «49x16»	10	63	29,6	60
16A «66x16»	16	79,5	29,6	60

- Type: STD for standard applications up to 500V for S-A, S-D inserts
Tipo: STD per applicazioni standard fino a 500V per inserti S-A, S-D
- IP66/IP69 protection degree
Grado di protezione IP66/IP69
- For IP66 and IP68 cable glands
Per pressacavi IP66 e IP68

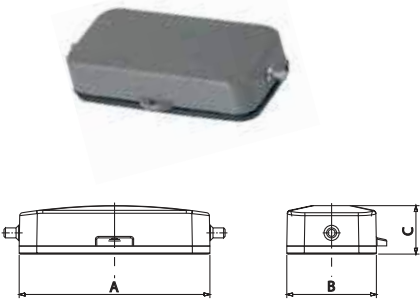

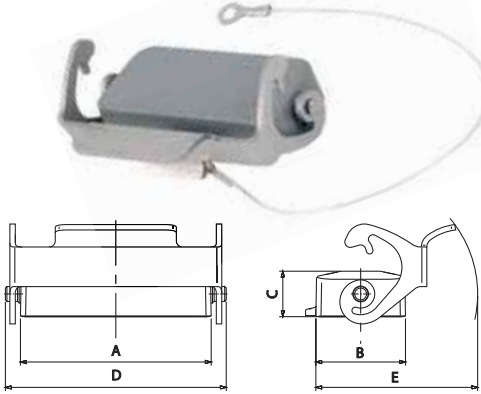

* Number of poles with S-A inserts
Numero di poli con inserti S-A

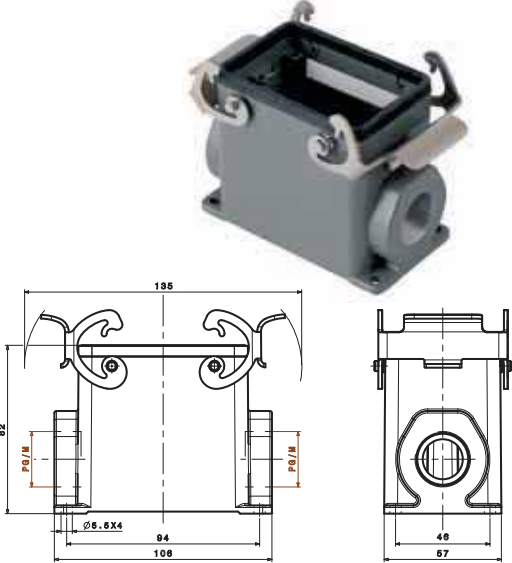
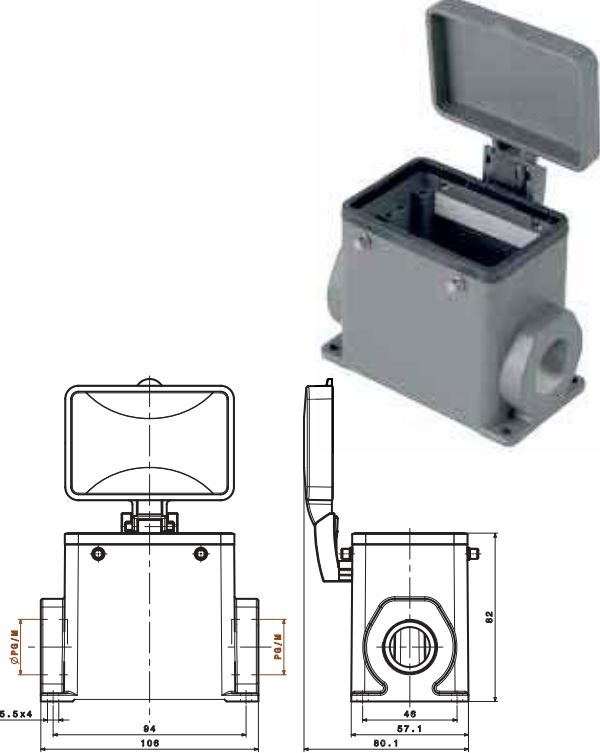
Hoods side entry with 2 pegs for one lever <i>Custodie con ingresso orizzontale con 2 perni per una leva</i>		Size <i>Grandezza</i>	Thread <i>Filettatura</i>	No. of poles <i>No. poli</i> *	Part No. <i>Codice</i>											
<p>With threaded fitting part No. "0" <i>Con raccordo filettato cod. "0"</i></p> <p>Without threaded fitting part No. "5" <i>Senza raccordo filettato cod. "5"</i></p>  <p>HC - High construction <i>HC - Costruzione alta</i></p>  <table border="1" data-bbox="191 1388 726 1523"> <thead> <tr> <th>Size <i>Grandezza</i></th> <th>A</th> <th>B</th> <th>C</th> </tr> </thead> <tbody> <tr> <td>10A «49x16»</td> <td>63</td> <td>34,6</td> <td>68</td> </tr> <tr> <td>16A «66x16»</td> <td>79,5</td> <td>34,6</td> <td>71</td> </tr> </tbody> </table>	Size <i>Grandezza</i>	A	B	C	10A «49x16»	63	34,6	68	16A «66x16»	79,5	34,6	71	10A «49x16»	M 20	10	7810.4581.0
	Size <i>Grandezza</i>	A	B	C												
	10A «49x16»	63	34,6	68												
	16A «66x16»	79,5	34,6	71												
	10A «49x16»	M 25	10	7810.4582.0												
	10A «49x16»	Pg 16	10	7810.4583.0												
	10A «49x16»	Pg 21	10	7810.4584.0												
	10A «49x16»	M 20	10	7810.4581.5												
	10A «49x16»	M 25	10	7810.4582.5												
	10A «49x16»	Pg 16	10	7810.4583.5												
	10A «49x16»	Pg 21	10	7810.4584.5												
	16A «66x16»	M 20	16	7816.4586.0												
	16A «66x16»	M 25	16	7816.4587.0												
	16A «66x16»	Pg 16	16	7816.4588.0												
	16A «66x16»	Pg 21	16	7816.4589.0												
	16A «66x16»	M 20	16	7816.4586.5												
16A «66x16»	M 25	16	7816.4587.5													
16A «66x16»	Pg 16	16	7816.4588.5													
16A «66x16»	Pg 21	16	7816.4589.5													

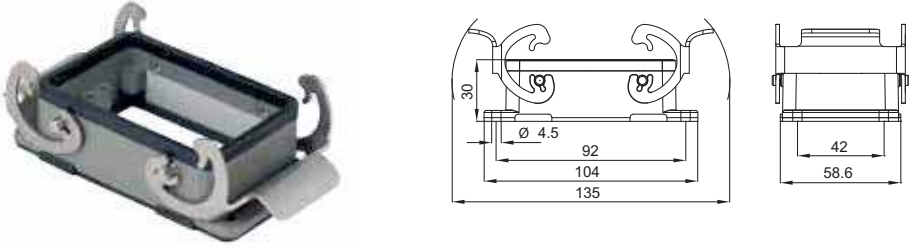
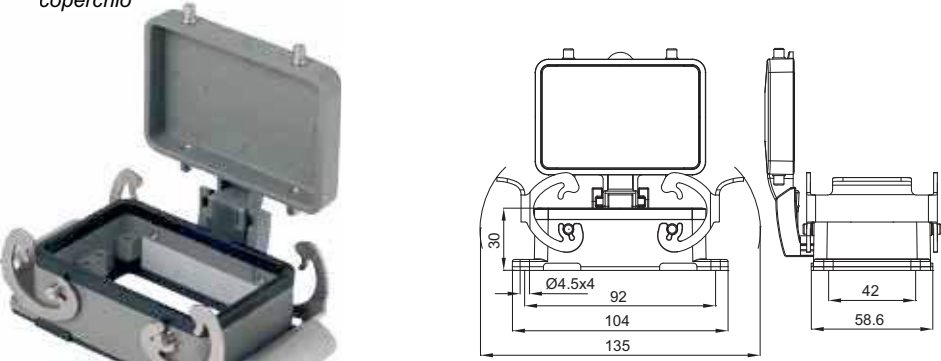
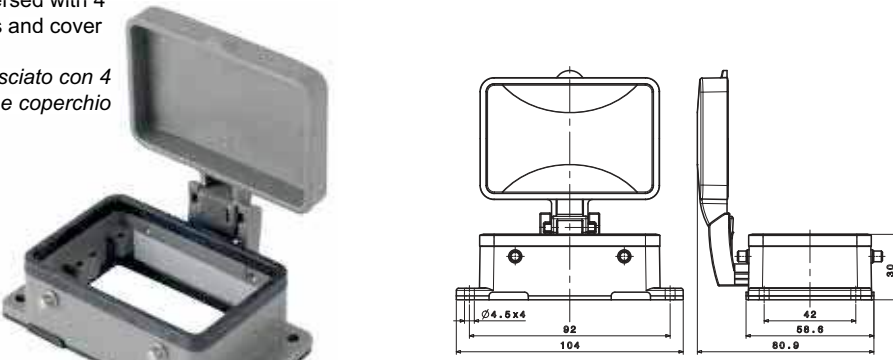
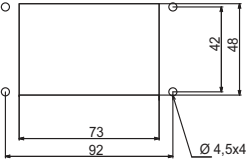



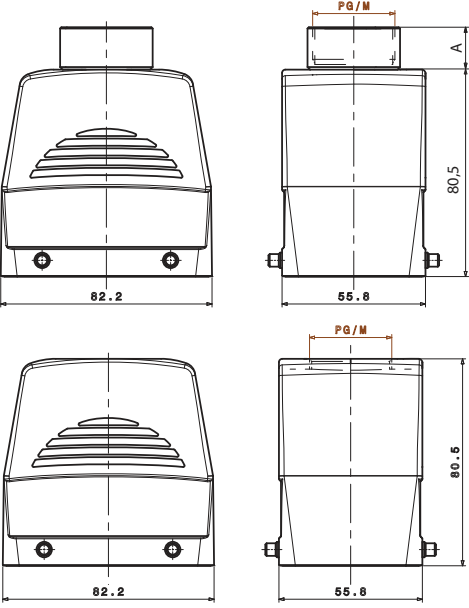
- Type: STD for standard applications up to 500V for S-A, S-D inserts
Tipo: STD per applicazioni standard fino a 500V per inserti S-A, S-D
- IP66/IP69 protection degree
Grado di protezione IP66/IP69
- With threaded fitting for IP66 and IP68 cable glands, part number "0"
Con raccordo filettato per pressacavi IP66 e IP68, codice "0"
- Without threaded fitting recommended for IP68 cable glands, part no. "5"
Senza raccordo filettato raccomandato per pressacavi IP68, codice "5"

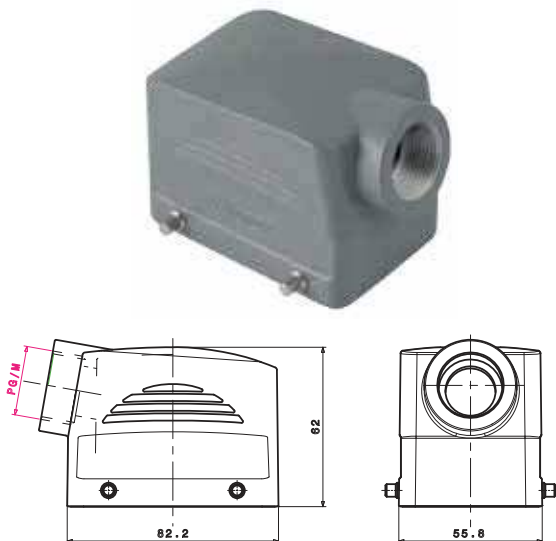
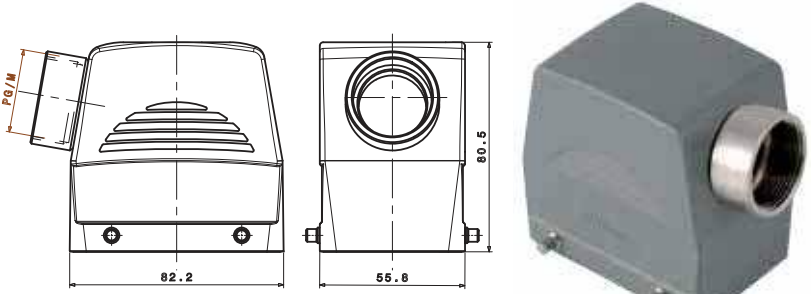
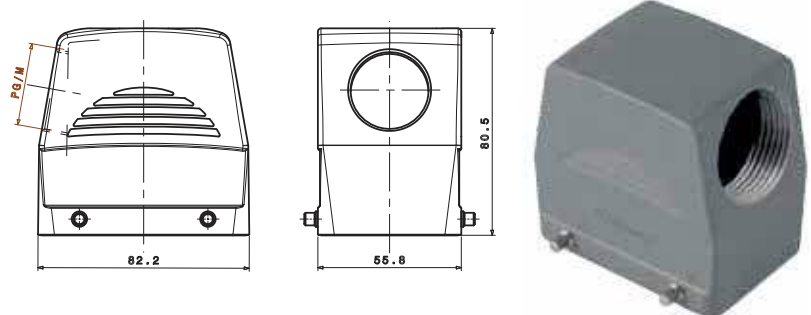
* Number of poles with S-A inserts
Numero di poli con inserti S-A


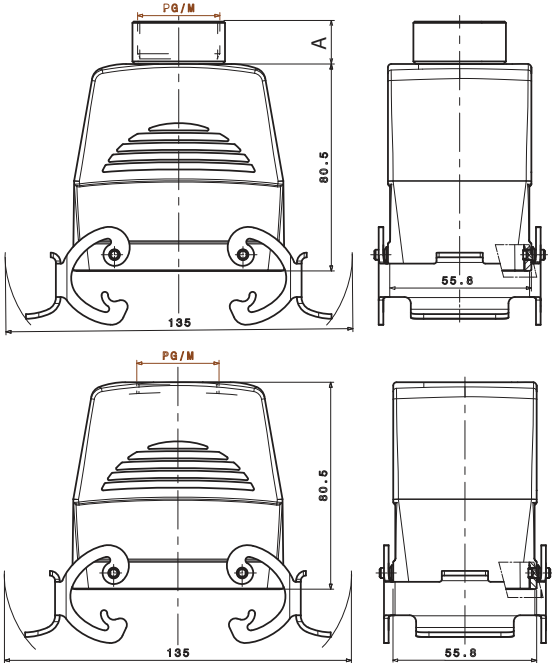
Covers with 2 pegs and gasket for housings with one lever <i>Coperchi con 2 perni e guarnizione per custodie con una leva</i>	Size <i>Grandezza</i>	No. of poles <i>No. poli</i> *	Part No. <i>Codice</i>																		
 <table border="1" data-bbox="252 689 826 824"> <thead> <tr> <th>Size <i>Grandezza</i></th> <th>A</th> <th>B</th> <th>C</th> </tr> </thead> <tbody> <tr> <td>10A «49x16»</td> <td>63</td> <td>29,6</td> <td>16</td> </tr> <tr> <td>16A «66x16»</td> <td>79,5</td> <td>29,6</td> <td>16</td> </tr> </tbody> </table> <p data-bbox="164 857 611 902">  </p> <ul data-bbox="118 913 906 1014" style="list-style-type: none"> - Type: STD for standard applications up to 500V for housings with 1 lever <i>Tipo: STD per applicazioni standard fino a 500V per custodie con 1 leva</i> - IP66/IP69 protection degree <i>Grado di protezione IP66/IP69</i> <p data-bbox="118 1070 472 1126">* Number of poles with S-A inserts <i>Numero di poli con inserti S-A</i></p>	Size <i>Grandezza</i>	A	B	C	10A «49x16»	63	29,6	16	16A «66x16»	79,5	29,6	16	10A «49x16» 16A «66x16»	10 16	7810.4591.0 7816.4592.0						
	Size <i>Grandezza</i>	A	B	C																	
10A «49x16»	63	29,6	16																		
16A «66x16»	79,5	29,6	16																		
Covers with one lever for hoods with 2 pegs <i>Coperchi con una leva per custodie mobili con 2 perni</i>	Size <i>Grandezza</i>	No. of poles <i>No. poli</i> *	Part No. <i>Codice</i>																		
 <table border="1" data-bbox="264 1621 815 1756"> <thead> <tr> <th>Size <i>Grandezza</i></th> <th>A</th> <th>B</th> <th>C</th> <th>D</th> <th>E</th> </tr> </thead> <tbody> <tr> <td>10A «49x16»</td> <td>63</td> <td>29,6</td> <td>15</td> <td>73</td> <td>54</td> </tr> <tr> <td>16A «66x16»</td> <td>79,5</td> <td>29,6</td> <td>15</td> <td>90</td> <td>54</td> </tr> </tbody> </table> <p data-bbox="164 1783 611 1827">  </p> <ul data-bbox="118 1839 906 1939" style="list-style-type: none"> - Type: STD for standard applications up to 500V for hoods with 2 pegs <i>Tipo: STD per applicazioni standard fino a 500V per custodie con 2 perni</i> - IP66/IP69 protection degree <i>Grado di protezione IP66/IP69</i> <p data-bbox="118 1995 472 2051">* Number of poles with S-A inserts <i>Numero di poli con inserti S-A</i></p>	Size <i>Grandezza</i>	A	B	C	D	E	10A «49x16»	63	29,6	15	73	54	16A «66x16»	79,5	29,6	15	90	54	10A «49x16» 16A «66x16»	10 16	7810.4594.0 7816.4595.0
	Size <i>Grandezza</i>	A	B	C	D	E															
10A «49x16»	63	29,6	15	73	54																
16A «66x16»	79,5	29,6	15	90	54																

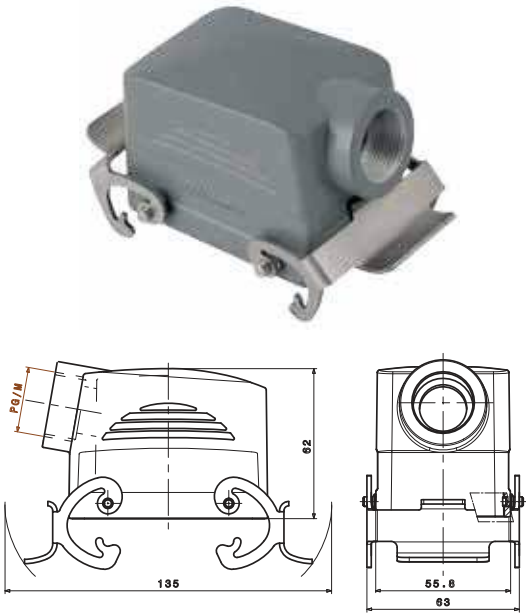
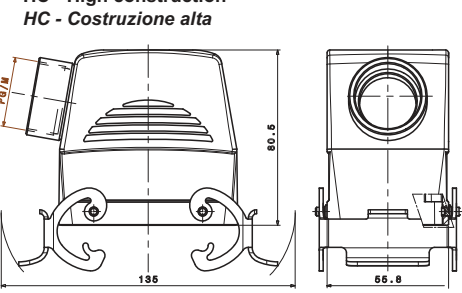
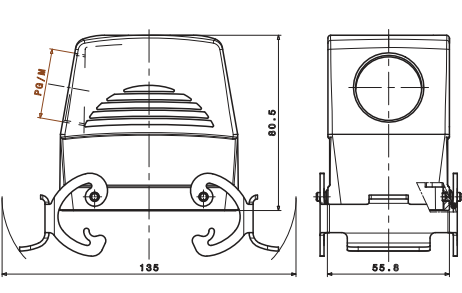
Surface mounting housings, size 32A «66x40» Custodie da parete, grandezza 32A «66x40»	Locking system Sistema di chiusura	Thread Filettatura	No. of poles No. poli *	Part No. Codice
	<p>With double lever <i>Con doppia leva</i></p>	<p>M 25 M 25X2 M 32 M 32X2 M 40 M 40x2 Pg 21 Pg 21X2 Pg 29 Pg 29X2</p>	<p>32 32 32 32 32 32 32 32 32 32</p>	<p>7832.4600.0 7832.4601.0 7832.4602.0 7832.4603.0 7832.4604.0 7832.4605.0 7832.4606.0 7832.4607.0 7832.4608.0 7832.4609.0</p>
	<p>Reversed with 4 pegs and cover <i>Rovesciato con 4 pioli e coperchio</i></p>	<p>M 25 M 25X2 M 32 M 32X2 M 40 M 40x2 Pg 21 Pg 21X2 Pg 29 Pg 29X2</p>	<p>32 32 32 32 32 32 32 32 32 32</p>	<p>7832.4610.0 7832.4611.0 7832.4612.0 7832.4613.0 7832.4614.0 7832.4615.0 7832.4616.0 7832.4617.0 7832.4618.0 7832.4619.0</p>
<p>CE RoHS US Type 4/4x/12 SP</p> <ul style="list-style-type: none"> - Type: STD for standard applications up to 500V for S-A, S-D inserts <i>Tipo: STD per applicazioni standard fino a 500V per inserti S-A, S-D</i> - IP66/IP69 protection degree, with locking levers only <i>Grado di protezione IP66/IP69, solo con leve di chiusura</i> - Metal cover with stainless steel lever, spring, screws and pegs. <i>Coperchio metallico con leva, molla, viti e perni in acciaio inox</i> - 1 entry or 2 entries <i>1 o 2 ingressi</i> <p>* Number of poles with S-A inserts <i>Numero di poli con inserti S-A</i></p>	<p>Remarks: The enclosures assure an IP66/IP69 degree of protection when coupled and blocked by the levers. The cover only provides mechanical protection and does not assure the degree of protection.</p> <p>Avvertenza: <i>Le custodie garantiscono il grado di protezione IP66/IP69 quando sono accoppiate e bloccate tramite le leve di chiusura. Il coperchio determina solo una protezione meccanica senza assicurare il grado di protezione IP.</i></p>			

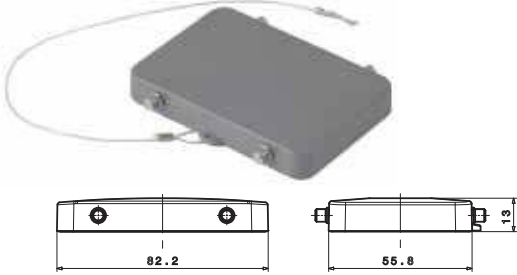
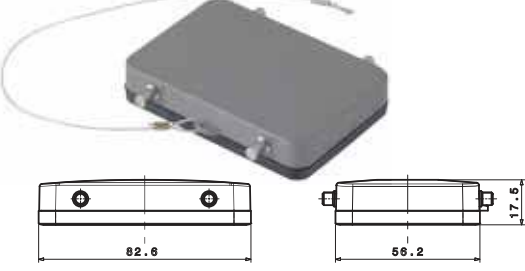
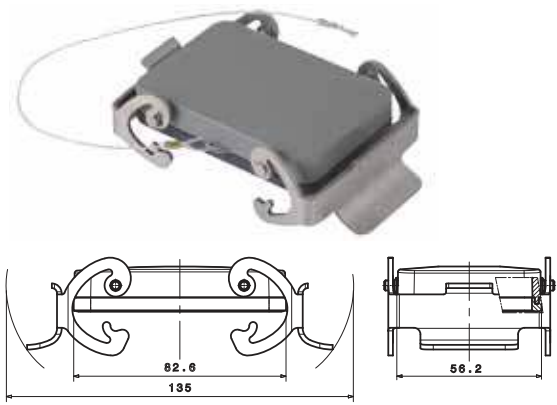
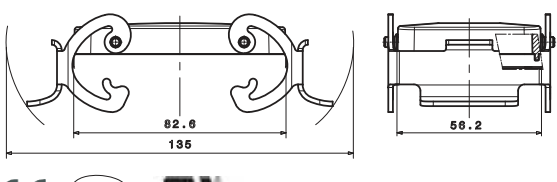
Bulkhead mounting housings, size 32A «66x40» Custodie da incasso, grandezza 32A «66x40»	No. of poles No. poli *	Part No. Codice
<p>With double levers Con doppia leva</p> 	32	<p>With double levers Con doppia leva</p> <p>7832.4631.0</p>
<p>With double levers and cover Con doppia leva e coperchio</p> 	32	<p>With double levers and cover Con doppia leva e coperchio</p> <p>7832.4705.0</p> <p>IP66 protection degree Grado di protezione IP66</p>
<p>Reversed with 4 pegs and cover Rovesciato con 4 perni e coperchio</p> 	32	<p>Reversed with 4 pegs and cover</p> <p>7832.4633.0</p> <p>Rovesciato con 4 perni e coperchio</p>
<p>CE (RoHS) c RU US Type 4/4x/12 C SP US</p> <ul style="list-style-type: none"> - Type: STD for standard applications up to 500V for S-A, S-D inserts - Tipo: STD per applicazioni standard fino a 500V per inserti S-A, S-D - IP66/IP69 protection degree, with locking levers only - Grado di protezione IP66/IP69, solo con leve di chiusura - Metal cover with stainless steel lever, spring, screws and pegs. - Coperchio metallico con leva, molla, viti e perni in acciaio inox <p>* Number of poles with S-A inserts Numero di poli con inserti S-A</p>  <p>Panel cut out Foratura del pannello</p>	<p>Remarks: The enclosures assure an IP66/ IP69 degree of protection when coupled and blocked by the levers. The cover only provides mechanical protection and does not assure an IP degree of protection. Avvertenza: Le custodie garantiscono il grado di protezione IP66/IP69 quando sono accoppiate e bloccate tramite le leve di chiusura. Il coperchio determina solo una protezione meccanica senza assicurare il grado di protezione IP.</p>	

Hoods top entry with 4 pegs for 2 levers, size 32A «66x40» Custodie con ingresso verticale con 4 perni per 2 leve, grandezza 32A «66x40»	Thread Filettatura	No. of poles No. poli *	Part No. Codice										
 <p>With threaded fitting Part No. "0" Con raccordo filettato Cod. "0"</p> <p>Without threaded fitting Part No. "5". For IP68 metal cable glands Senza raccordo filettato Cod. "5" Per pressacavi IP68</p>			<p>With threaded fitting Con raccordo filettato</p> <p>7832.4641.0</p> <p>7832.4642.0</p> <p>7832.4643.0</p> <p>7832.4644.0</p>										
<p>HC - High construction HC - Costruzione alta</p>  <table border="1" data-bbox="710 1025 917 1236"> <thead> <tr> <th>Thread Filettatura</th> <th>A</th> </tr> </thead> <tbody> <tr> <td>M 25</td> <td>15</td> </tr> <tr> <td>M 32</td> <td>16,5</td> </tr> <tr> <td>Pg21</td> <td>15</td> </tr> <tr> <td>Pg29</td> <td>16,5</td> </tr> </tbody> </table>	Thread Filettatura	A	M 25	15	M 32	16,5	Pg21	15	Pg29	16,5			<p>Without threaded fitting Senza raccordo filettato</p> <p>7832.4641.5</p> <p>7832.4642.5</p> <p>7832.4643.5</p> <p>7832.4644.5</p>
Thread Filettatura	A												
M 25	15												
M 32	16,5												
Pg21	15												
Pg29	16,5												
<p>CE RoHS cUL US Type 4/4x/12 CSA</p> <ul style="list-style-type: none"> - Type: STD for standard applications up to 500V for S-A, S-D inserts Tipo: STD per applicazioni standard fino a 500V per inserti S-A, S-D - IP66/IP69 protection degree Grado di protezione IP66/IP69 - With threaded fitting for IP66 and IP68 cable glands, part number "0" Con raccordo filettato per pressacavi IP66 e IP68, codice "0" - Without threaded fitting recommended for IP68 cable glands, part no. "5" Senza raccordo filettato raccomandato per pressacavi IP68, codice "5" <p>* Number of poles with S-A inserts Numero di poli con inserti S-A</p>													


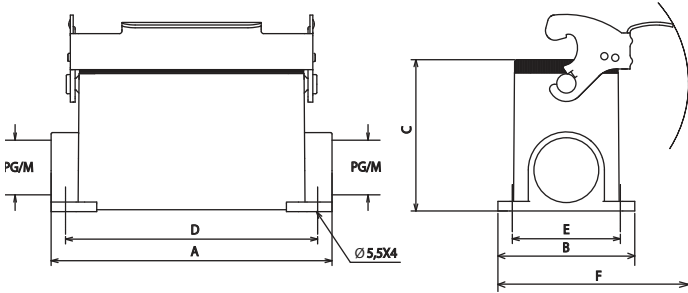
Hoods side entry with 4 pegs for 2 levers, size 32A «66x40» Custodie con ingresso orizzontale con 4 perni per 2 leve, grandezza 32A «66x40»	Thread Filettatura	No. of poles No. poli *	Part No. Codice
	<p>M 25</p> <p>M 32</p> <p>Pg 21</p>	<p>32</p> <p>32</p> <p>32</p>	<p>7832.4647.0</p> <p>7832.4648.0</p> <p>7832.4649.0</p>
<p>HC - High construction HC - Costruzione alta</p> 	<p>M 25</p> <p>M 32</p> <p>Pg 21</p> <p>Pg 29</p>	<p>32</p> <p>32</p> <p>32</p> <p>32</p>	<p>With threaded fitting Con raccordo filettato</p> <p>7832.4651.0</p> <p>7832.4652.0</p> <p>7832.4653.0</p> <p>7832.4654.0</p>
 <p>CE RoHS c UL US Type 4/4x/12 c SP US</p> <ul style="list-style-type: none"> - Type: STD for standard applications up to 500V for S-A, S-D inserts Tipo: STD per applicazioni standard fino a 500V per inserti S-A, S-D - IP66/IP69 protection degree Grado di protezione IP66/IP69 - With threaded fitting for IP66 and IP68 cable glands, part number "0" Con raccordo filettato per pressacavi IP66 e IP68, codice "0" - Without threaded fitting recommended for IP68 cable glands, part no. "5" Senza raccordo filettato raccomandato per pressacavi IP68, codice "5" <p>* Number of poles with S-A inserts Numero di poli con inserti S-A</p>	<p>M 25</p> <p>M 32</p> <p>Pg 21</p> <p>Pg 29</p>	<p>32</p> <p>32</p> <p>32</p> <p>32</p>	<p>Without threaded fitting Senza raccordo filettato</p> <p>7832.4651.5</p> <p>7832.4652.5</p> <p>7832.4653.5</p> <p>7832.4654.5</p>

Hoods top entry with 2 levers, size 32A «66x40» Custodie con ingresso verticale con 2 leve, grandezza 32A «66x40»	Thread Filettatura	No. of poles No. poli *	Part No. Codice										
 <p>With threaded fitting Part No. "0" Con raccordo filettato Cod. "0"</p> <p>Without threaded fitting Part No. "5". For IP68 metal cable glands Senza raccordo filettato Cod. "5" Per pressacavi IP68</p> <p>HC - High construction HC - Costruzione alta</p>			<p>With threaded fitting Con raccordo filettato</p> <p>7832.4656.0</p> <p>7832.4657.0</p> <p>7832.4658.0</p> <p>7832.4659.0</p>										
 <table border="1" data-bbox="724 1003 932 1214"> <thead> <tr> <th>Thread Filettatura</th> <th>A</th> </tr> </thead> <tbody> <tr> <td>M 25</td> <td>15</td> </tr> <tr> <td>M 32</td> <td>16,5</td> </tr> <tr> <td>Pg21</td> <td>15</td> </tr> <tr> <td>Pg29</td> <td>16,5</td> </tr> </tbody> </table>	Thread Filettatura	A	M 25	15	M 32	16,5	Pg21	15	Pg29	16,5	<p>M 25</p> <p>M 32</p> <p>Pg 21</p> <p>Pg 29</p>	<p>32</p> <p>32</p> <p>32</p> <p>32</p>	<p>Without threaded fitting Senza raccordo filettato</p> <p>7832.4656.5</p> <p>7832.4657.5</p> <p>7832.4658.5</p> <p>7832.4659.5</p>
Thread Filettatura	A												
M 25	15												
M 32	16,5												
Pg21	15												
Pg29	16,5												
<p>CE RoHS UL US Type 4/4x/12 SR US</p> <ul style="list-style-type: none"> - Type: STD for standard applications up to 500V for S-A, S-D inserts Tipo: STD per applicazioni standard fino a 500V per inserti S-A, S-D - IP66/IP69 protection degree Grado di protezione IP66/IP69 - With threaded fitting for IP66 and IP68 cable glands, part number "0" Con raccordo filettato per pressacavi IP66 e IP68, codice "0" - Without threaded fitting recommended for IP68 cable glands, part no. "5" Senza raccordo filettato raccomandato per pressacavi IP68, codice "5" <p>* Number of poles with S-A inserts Numero di poli con inserti S-A</p>													

Hoods side entry with 2 levers, size 32A «66x40» Custodie con ingresso orizzontale con 2 leve, grandezza 32A «66x40»	Thread Filettatura	No. of poles No. poli *	Part No. Codice
	<p>M 25</p> <p>M 32</p> <p>Pg 21</p>	<p>32</p> <p>32</p> <p>32</p>	<p>7832.4661.0</p> <p>7832.4662.0</p> <p>7832.4663.0</p>
<p>HC - High construction HC - Costruzione alta</p> 	<p>M 25</p> <p>M 32</p> <p>Pg 21</p> <p>Pg 29</p>	<p>32</p> <p>32</p> <p>32</p> <p>32</p>	<p>With threaded fitting Con raccordo filettato</p> <p>7832.4665.0</p> <p>7832.4666.0</p> <p>7832.4667.0</p> <p>7832.4668.0</p>
 <p>CE RoHS UL US Type 4/4x/12 CS</p> <ul style="list-style-type: none"> - Type: STD for standard applications up to 500V for S-A, S-D inserts Tipo: STD per applicazioni standard fino a 500V per inserti S-A, S-D - IP66/IP69 protection degree Grado di protezione IP66/IP69 - With threaded fitting for IP66 and IP68 cable glands, part number "0" Con raccordo filettato per pressacavi IP66 e IP68, codice "0" - Without threaded fitting recommended for IP68 cable glands, part no. "5" Senza raccordo filettato raccomandato per pressacavi IP68, codice "5" <p>* Number of poles with S-A inserts Numero di poli con inserti S-A</p>	<p>M 25</p> <p>M 32</p> <p>Pg 21</p> <p>Pg 29</p>	<p>32</p> <p>32</p> <p>32</p> <p>32</p>	<p>Without threaded fitting Senza raccordo filettato</p> <p>7832.4665.5</p> <p>7832.4666.5</p> <p>7832.4667.5</p> <p>7832.4668.5</p>

Covers with 4 pegs, size 32A «66x40» Coperchio con 4 perni, grandezza 32A «66x40»	No. of poles No. poli *	Part No. Codice
 <p>- With 4 pegs without gasket for double locking system. Con 4 perni senza guarnizione per sistema di chiusura a doppia leva</p>  <p>- With 4 pegs with gasket for reversed double locking system. Con 4 perni con guarnizione per sistema di chiusura doppio rovesciato</p> <p>CE (RoHS) UL US Type 4/4x/12</p> <ul style="list-style-type: none"> - Type: STD for standard applications up to 500V for S-A, S-D inserts - Tipo: STD per applicazioni standard fino a 500V per inserti S-A, S-D - IP66/IP69 protection degree - Grado di protezione IP66/IP69 <p>* Number of poles with S-A inserts Numero di poli con inserti S-A</p>	<p>32</p> <p>32</p>	<p>7832.4671.0</p> <p>7832.4673.0</p>
Covers with 2 levers, size 32A «66x40» Coperchio con 2 leve, grandezza 32A «66x40»	No. of poles No. poli *	Part No. Codice
 <p>- With 2 levers and gasket for double locking system. Con 2 leve e guarnizione per sistema di chiusura a doppia leva</p>  <p>- With 2 levers without gasket for reversed double locking system. Con 2 leve senza guarnizione per sistema di chiusura doppio rovesciato</p> <p>CE (RoHS) UL US Type 4/4x/12</p> <ul style="list-style-type: none"> - Type: STD for standard applications up to 500V for S-A, S-D inserts - Tipo: STD per applicazioni standard fino a 500V per inserti S-A, S-D - IP66/IP69 protection degree - Grado di protezione IP66/IP69 <p>* Number of poles with S-A inserts Numero di poli con inserti S-A</p>	<p>32</p> <p>32</p>	<p>7832.4672.0</p> <p>7832.4674.0</p>


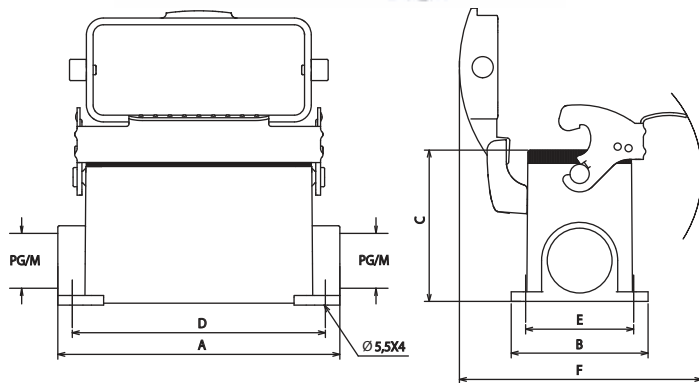


Surface mounting housings <i>Custodie da parete</i>		Size <i>Grandezza</i>	Thread <i>Filettatura</i>	Type STD-HV Part No. - Codice	Type STD Part No. - Codice																																																	
		6B «44x27»	M 20		7806.6351.0																																																	
		6B «44x27»	M 20X2		7806.6352.0																																																	
		6B «44x27»	Pg 16		7806.6301.0																																																	
		6B «44x27»	Pg 16X2		7806.6302.0																																																	
		10B «57x27»	M 20	7810.6353.2	7810.6353.0																																																	
		10B «57x27»	M 20X2	7810.6354.2	7810.6354.0																																																	
		10B «57x27»	Pg 16	7810.6303.2	7810.6303.0																																																	
		10B «57x27»	Pg 16X2	7810.6304.2	7810.6304.0																																																	
		16B «77x27»	M 25	7816.6355.2	7816.6355.0																																																	
		16B «77x27»	M 25X2	7816.6356.2	7816.6356.0																																																	
16B «77x27»	Pg 21	7816.6305.2	7816.6305.0																																																			
16B «77x27»	Pg 21X2	7816.6306.2	7816.6306.0																																																			
		24B «104x27»	M 25	7824.6357.2	7824.6357.0																																																	
		24B «104x27»	M 25X2	7824.6358.2	7824.6358.0																																																	
		24B «104x27»	Pg 21	7824.6307.2	7824.6307.0																																																	
		24B «104x27»	Pg 21X2	7824.6308.2	7824.6308.0																																																	
		32B «77x62»	M 40	7832.6380.0	7832.6380.0																																																	
		32B «77x62»	M 40X2	7832.6381.0	7832.6381.0																																																	
		32B «77x62»	M 50	7832.6359.0	7832.6359.0																																																	
		32B «77x62»	M 50X2	7832.6360.0	7832.6360.0																																																	
		32B «77x62»	Pg 29	7832.6330.0	7832.6330.0																																																	
		32B «77x62»	Pg 29X2	7832.6331.0	7832.6331.0																																																	
<table border="1"> <thead> <tr> <th>Size <i>Grandezza</i></th> <th>A</th> <th>B</th> <th>C</th> <th>D</th> <th>E</th> <th>F</th> </tr> </thead> <tbody> <tr> <td>6B «44x27»</td> <td>83.5</td> <td>57</td> <td>53</td> <td>70</td> <td>40</td> <td>79.5</td> </tr> <tr> <td>10B «57x27»</td> <td>97</td> <td>57</td> <td>57</td> <td>82</td> <td>40</td> <td>79.5</td> </tr> <tr> <td>16B «77x27»</td> <td>117</td> <td>57</td> <td>63</td> <td>105</td> <td>45</td> <td>79.5</td> </tr> <tr> <td>24B «104x27»</td> <td>143.5</td> <td>57</td> <td>63</td> <td>132</td> <td>45</td> <td>79.5</td> </tr> <tr> <td>32B «77x62»</td> <td>125</td> <td>84.5</td> <td>87.5</td> <td>112</td> <td>67</td> <td>115.5</td> </tr> <tr> <td>48B «104x62»</td> <td>141</td> <td>120</td> <td>96.5</td> <td>111</td> <td>106</td> <td>136.5</td> </tr> </tbody> </table>		Size <i>Grandezza</i>	A	B	C	D	E	F	6B «44x27»	83.5	57	53	70	40	79.5	10B «57x27»	97	57	57	82	40	79.5	16B «77x27»	117	57	63	105	45	79.5	24B «104x27»	143.5	57	63	132	45	79.5	32B «77x62»	125	84.5	87.5	112	67	115.5	48B «104x62»	141	120	96.5	111	106	136.5	32B «77x62»	Pg 36	7832.6309.0	7832.6309.0
		Size <i>Grandezza</i>	A	B	C	D	E	F																																														
		6B «44x27»	83.5	57	53	70	40	79.5																																														
		10B «57x27»	97	57	57	82	40	79.5																																														
		16B «77x27»	117	57	63	105	45	79.5																																														
		24B «104x27»	143.5	57	63	132	45	79.5																																														
		32B «77x62»	125	84.5	87.5	112	67	115.5																																														
		48B «104x62»	141	120	96.5	111	106	136.5																																														
		32B «77x62»	Pg 36X2	7832.6310.0	7832.6310.0																																																	
		32B «77x62»	Pg 42 ◊	7832.6332.0	7832.6332.0																																																	
32B «77x62»	Pg 42X2 ◊	7832.6333.0	7832.6333.0																																																			
48B «104x62»	M 32X2	7848.7429.0	7848.7429.0																																																			
48B «104x62»	M 40X2	7848.7430.0	7848.7430.0																																																			
48B «104x62»	M 50X2	7848.7431.0	7848.7431.0																																																			
48B «104x62»	Pg 29X2	7848.7530.0	7848.7530.0																																																			
48B «104x62»	Pg 36X2	7848.7531.0	7848.7531.0																																																			




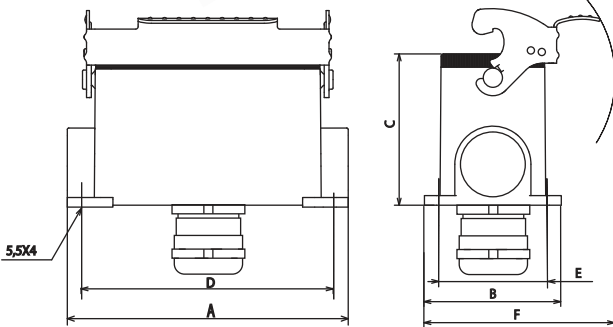
- Type: STD for standard applications and inserts up to 500V series: S-D, S-DD, S-E, S-ES, S-EP, S-EE, S-HSB, S-ESHV, S-K, S-M, S-EHV crimp
- Type: STD-HV for standard applications and inserts up to 830V, S-EHV series screw terminal and S-HSB for applications over 500V up to 830V.
- Tipo: STD per applicazioni standard ed inserti fino a 500V serie S-D, S-DD, S-E, S-ES, S-SP, S-EE, S-HSB, S-ESHV, S-K, S-M, S-EHV crimpare
- Tipo STD-HV per applicazioni standard ed inserti fino a 830V: serie S-EHV con terminali a vite e S-HSB per applicazioni oltre 500V fino a 830V.
- IP66/IP69 protection degree
Grado di protezione IP66/IP69
- 1 entry or 2 entries
1 o 2 ingressi

◊ With enlarger Pg 36 / Pg 42
 Con ampliatore Pg36 / Pg 42

Surface mounting housing with cover Custodia da parete con coperchio							Size Grandezza	Thread Filettatura	Type STD-HV	Type STD																																																	
									Part No. - Codice	Part No. - Codice																																																	
 							6B «44 x 27»	M 20		7806.6361.0																																																	
							6B «44 x 27»	M 20X2		7806.6362.0																																																	
							6B «44 x 27»	Pg 16		7806.6311.0																																																	
							6B «44 x 27»	Pg 16X2		7806.6312.0																																																	
							10B «57x27»	M 20	7810.6363.2	7810.6363.0																																																	
							10B «57x27»	M 20X2	7810.6364.2	7810.6364.0																																																	
							10B «57x27»	Pg 16	7810.6313.2	7810.6313.0																																																	
							10B «57x27»	Pg 16X2	7810.6314.2	7810.6314.0																																																	
							16B «77x27»	M 25	7816.6365.2	7816.6365.0																																																	
							16B «77x27»	M 25X2	7816.6366.2	7816.6366.0																																																	
							16B «77x27»	Pg 21	7816.6315.2	7816.6315.0																																																	
							16B «77x27»	Pg 21X2	7816.6316.2	7816.6316.0																																																	
							24B «104x27»	M 25	7824.6367.2	7824.6367.0																																																	
							24B «104x27»	M 25X2	7824.6368.2	7824.6368.0																																																	
							24B «104x27»	Pg 21	7824.6317.2	7824.6317.0																																																	
							24B «104x27»	Pg 21X2	7824.6318.2	7824.6318.0																																																	
<table border="1"> <thead> <tr> <th>Size Grandezza</th> <th>A</th> <th>B</th> <th>C</th> <th>D</th> <th>E</th> <th>F</th> </tr> </thead> <tbody> <tr> <td>6B «44x27»</td> <td>83.5</td> <td>57</td> <td>53</td> <td>70</td> <td>40</td> <td>101</td> </tr> <tr> <td>10B «57x27»</td> <td>97</td> <td>57</td> <td>57</td> <td>82</td> <td>40</td> <td>101</td> </tr> <tr> <td>16B «77x27»</td> <td>117</td> <td>57</td> <td>63</td> <td>105</td> <td>45</td> <td>101</td> </tr> <tr> <td>24B «104x27»</td> <td>143.5</td> <td>57</td> <td>63</td> <td>132</td> <td>45</td> <td>101</td> </tr> <tr> <td>32B «77x62»</td> <td>125</td> <td>84.5</td> <td>87.5</td> <td>112</td> <td>67</td> <td>146</td> </tr> <tr> <td>48B «104x62»</td> <td>141</td> <td>120</td> <td>96.5</td> <td>111</td> <td>106</td> <td>174.5</td> </tr> </tbody> </table>							Size Grandezza	A	B	C	D	E	F	6B «44x27»	83.5	57	53	70	40	101	10B «57x27»	97	57	57	82	40	101	16B «77x27»	117	57	63	105	45	101	24B «104x27»	143.5	57	63	132	45	101	32B «77x62»	125	84.5	87.5	112	67	146	48B «104x62»	141	120	96.5	111	106	174.5	32B «77x62»	M 40	7832.6382.0	7832.6382.0
Size Grandezza	A	B	C	D	E	F																																																					
6B «44x27»	83.5	57	53	70	40	101																																																					
10B «57x27»	97	57	57	82	40	101																																																					
16B «77x27»	117	57	63	105	45	101																																																					
24B «104x27»	143.5	57	63	132	45	101																																																					
32B «77x62»	125	84.5	87.5	112	67	146																																																					
48B «104x62»	141	120	96.5	111	106	174.5																																																					
							32B «77x62»	M 40X2	7832.6383.0	7832.6383.0																																																	
							32B «77x62»	M 50	7832.6369.0	7832.6369.0																																																	
							32B «77x62»	M 50X2	7832.6370.0	7832.6370.0																																																	
							32B «77x62»	Pg 29	7832.6334.0	7832.6334.0																																																	
							32B «77x62»	Pg 29X2	7832.6335.0	7832.6335.0																																																	
							32B «77x62»	Pg 36	7832.6319.0	7832.6319.0																																																	
							32B «77x62»	Pg 36X2	7832.6320.0	7832.6320.0																																																	
							32B «77x62»	Pg 42 ◊	7832.6336.0	7832.6336.0																																																	
							32B «77x62»	Pg 42X2 ◊	7832.6337.0	7832.6337.0																																																	
							48B «104x62»	M 32X2	7848.7433.0	7848.7433.0																																																	
							48B «104x62»	M 40X2	7848.6386.0	7848.6386.0																																																	
							48B «104x62»	M 50X2	7848.6371.0	7848.6371.0																																																	
							48B «104x62»	Pg 29X2	7848.6342.0	7848.6342.0																																																	
							48B «104x62»	Pg 36X2	7848.6321.0	7848.6321.0																																																	







- Type: STD for standard applications and inserts up to 500V series: S-D, S-DD, S-E, S-ES, S-EP, S-EE, S-HSB, S-ESHV, S-K, S-M, S-EHV crimp
- Type: STD-HV for standard applications and inserts up to 830V, S-EHV series screw terminal and S-HSB for applications over 500V up to 830V.
- Tipo: STD per applicazioni standard ed inserti fino a 500V serie S-D, S-DD, S-E, S-ES, S-EP, S-EE, S-HSB, S-ESHV, S-K, S-M, S-EHV crimpare
- Tipo STD-HV per applicazioni standard ed inserti fino a 830V: serie S-EHV con terminali a vite e S-HSB per applicazioni oltre 500V fino a 830V.
- IP66/IP69 protection degree
Grado di protezione IP66/IP69
- Metal cover with stainless steel spring, screws and pegs
Coperchio metallico con molla, viti e perni in acciaio inox
- 1 entry or 2 entries
1 o 2 ingressi
- ◊ With enlarger Pg 36 / Pg 42
Con ampliatore Pg36 / Pg 42

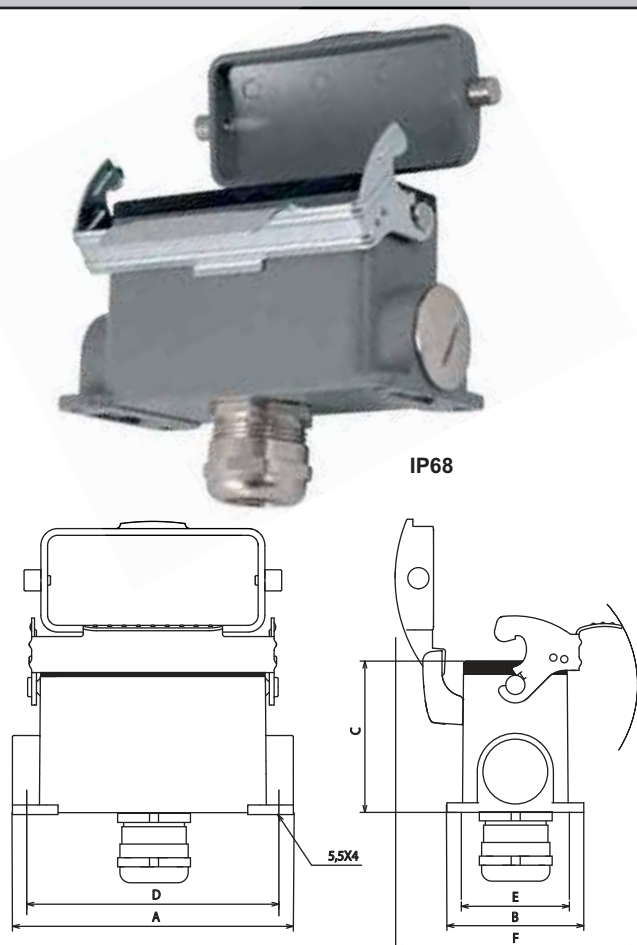
Bottom entry surface mounting housings Custodie da parete con un ingresso sul fondo	Size Grandezza	Thread Filettatura	Type STD-HV	Type STD
			Part No. - Codice	Part No. - Codice
 <p style="text-align: center;">IP68</p> 	6B «44x27»	M 20		7806.7860.0
	6B «44x27»	M 25		7806.7861.0
	10B «57x27»	M 20	7810.7862.2	7810.7862.0
	10B «57x27»	M 25	7810.7863.2	7810.7863.0
	16B «77x27»	M 20	7816.7864.2	7816.7864.0
	16B «77x27»	M 25	7816.7865.2	7816.7865.0
	24B «104x27»	M 20	7824.7866.2	7824.7866.0
	24B «104x27»	M 25	7824.7867.2	7824.7867.0
	32B «77x62»	M 32	7832.7868.0	7832.7868.0
	32B «77x62»	M 40	7832.7869.0	7832.7869.0
	32B «77x62»	M 50	7832.7870.0	7832.7870.0
	48B «104x62»	M 32	7848.7871.0	7848.7871.0
	48B «104x62»	M 40	7848.7872.0	7848.7872.0
	48B «104x62»	M 50	7848.7873.0	7848.7873.0

Size Grandezza	A	B	C	D	E	F
6B «44x27»	83.5	57	53	70	40	79.5
10B «57x27»	97	57	57	82	40	79.5
16B «77x27»	117	57	63	105	45	79.5
24B «104x27»	143.5	57	63	132	45	79.5
32B «77x62»	125	84.5	87.5	112	67	115.5
48B «104x62»	141	120	96.5	111	106	136.5

Thread - Filettatura	M 20	M 25	M 32	M 40	M 50
Cable dia - dia Cavo	8 - 14	11 - 18	14 - 21	19 - 28	24 - 38










- Type: STD for standard applications and inserts up to 500V series: S-D, S-DD, S-E, S-ES, S-EP, S-EE, S-HSB, S-ESHV, S-K, S-M, S-EHV crimp
- Type: STD-HV for standard applications and inserts up to 830V, S-EHV series screw terminal and S-HSB for applications over 500V up to 830V.
- Tipo: STD per applicazioni standard ed inserti fino a 500V serie S-D, S-DD, S-E, S-ES, S-SP, S-EE, S-HSB, S-ESHV, S-K, S-M, S-EHV crimpare
- Tipo STD-HV per applicazioni standard ed inserti fino a 830V: serie S-EHV con terminali a vite e S-HSB per applicazioni oltre 500V fino a 830V.
- IP66/IP69 protection degree
Grado di protezione IP66/IP69
- 1 bottom entry
1 ingresso sul fondo


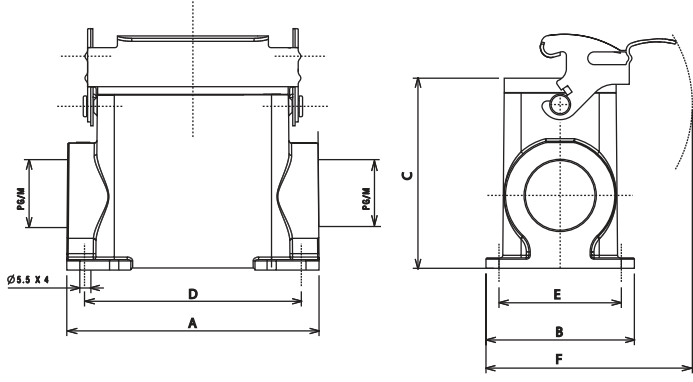
Bottom entry surface mounting housings with cover Custodie da parete con un ingresso sul fondo e coperchio		Size Grandezza	Thread Filettatura	Type STD-HV Part No. - Codice	Type STD Part No. - Codice
 <p style="text-align: center;">IP68</p>		6B «44x27»	M 20		7806.7874.0
		6B «44x27»	M 25		7806.7875.0
		10B «57x27»	M 20	7810.7876.2	7810.7876.0
		10B «57x27»	M 25	7810.7877.2	7810.7877.0
		16B «77x27»	M 20	7816.7878.2	7816.7878.0
		16B «77x27»	M 25	7816.7879.2	7816.7879.0
		24B «104x27»	M 20	7824.7880.2	7824.7880.0
		24B «104x27»	M 25	7824.7881.2	7824.7881.0
		32B «77x62»	M 32	7832.7882.0	7832.7882.0
		32B «77x62»	M 40	7832.7883.0	7832.7883.0
		32B «77x62»	M 50	7832.7884.0	7832.7884.0
		48B «104x62»	M 32	7848.7885.0	7848.7885.0
		48B «104x62»	M 40	7848.7886.0	7848.7886.0
		48B «104x62»	M 50	7848.7887.0	7848.7887.0


Size Grandezza	A	B	C	D	E	F
6B «44x27»	83.5	57	53	70	40	101
10B «57x27»	97	57	57	82	40	101
16B «77x27»	117	57	63	105	45	101
24B «104x27»	143.5	57	63	132	45	101
32B «77x62»	125	84.5	87.5	112	67	146
48B «104x62»	141	120	96.5	111	106	174.5

Thread - Filettatura	M 20	M 25	M 32	M 40	M 50
Cable dia - dia Cavo	8 - 14	11 - 18	14 - 21	19 - 28	24 - 38


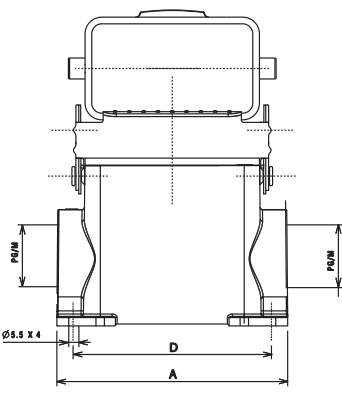
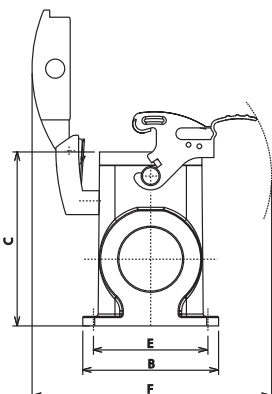





- Type: STD for standard applications and inserts up to 500V series: S-D, S-DD, S-E, S-ES, S-EP, S-EE, S-HSB, S-ESHV, S-K, S-M, S-EHV crimp
- Type: STD-HV for standard applications and inserts up to 830V, S-EHV series screw terminal and S-HSB for applications over 500V up to 830V.
- Tipo: STD per applicazioni standard ed inserti fino a 500V serie S-D, S-DD, S-E, S-ES, S-EP, S-EE, S-HSB, S-ESHV, S-K, S-M, S-EHV crimpare
- Tipo STD-HV per applicazioni standard ed inserti fino a 830V: serie S-EHV con terminali a vite e S-HSB per applicazioni oltre 500V fino a 830V.
- IP66/IP69 protection degree
Grado di protezione IP66/IP69
- Metal cover with stainless steel spring, screws and pegs
Coperchio metallico con molla, viti e perni in acciaio inox
- 1 bottom entry
1 ingresso sul fondo

Surface mounting housings Custodie da parete	Size Grandezza	Thread Filettatura	Type STD-HV	Type STD																																			
			Part No. - Codice	Part No. - Codice																																			
 <p>HC - High construction HC - Costruzione alta</p>  <table border="1" data-bbox="119 1377 798 1601"> <thead> <tr> <th>Size Grandezza</th> <th>A</th> <th>B</th> <th>C</th> <th>D</th> <th>E</th> <th>F</th> </tr> </thead> <tbody> <tr> <td>6B «44x27»</td> <td>83.5</td> <td>57</td> <td>79</td> <td>70</td> <td>45</td> <td>79.5</td> </tr> <tr> <td>10B «57x27»</td> <td>97</td> <td>57</td> <td>73</td> <td>82</td> <td>45</td> <td>79.5</td> </tr> <tr> <td>16B «77x27»</td> <td>117</td> <td>57</td> <td>77</td> <td>105</td> <td>45</td> <td>79.5</td> </tr> <tr> <td>24B «104x27»</td> <td>143.5</td> <td>57</td> <td>80</td> <td>132</td> <td>45</td> <td>79.5</td> </tr> </tbody> </table>	Size Grandezza	A	B	C	D	E	F	6B «44x27»	83.5	57	79	70	45	79.5	10B «57x27»	97	57	73	82	45	79.5	16B «77x27»	117	57	77	105	45	79.5	24B «104x27»	143.5	57	80	132	45	79.5	6B «44x27»	M25x2		7806.7150.0
	Size Grandezza	A	B	C	D	E	F																																
	6B «44x27»	83.5	57	79	70	45	79.5																																
	10B «57x27»	97	57	73	82	45	79.5																																
	16B «77x27»	117	57	77	105	45	79.5																																
	24B «104x27»	143.5	57	80	132	45	79.5																																
	6B «44x27»	M 32		7806.7151.0																																			
	6B «44x27»	M 32X2		7806.7152.0																																			
	6B «44x27»	M 40		7806.7153.0																																			
	6B «44x27»	M 40X2		7806.7154.0																																			
	6B «44x27»	Pg 21		7806.7155.0																																			
	6B «44x27»	Pg 21X2		7806.7156.0																																			
	6B «44x27»	Pg 29		7806.7157.0																																			
	6B «44x27»	Pg 29X2		7806.7158.0																																			
	10B «57x27»	M25x2	7810.7159.2	7810.7159.0																																			
	10B «57x27»	M 32	7810.7160.2	7810.7160.0																																			
	10B «57x27»	M 32X2	7810.7161.2	7810.7161.0																																			
	10B «57x27»	M 40	7810.7162.2	7810.7162.0																																			
	10B «57x27»	M 40X2	7810.7163.2	7810.7163.0																																			
	10B «57x27»	Pg 21	7810.7164.2	7810.7164.0																																			
	10B «57x27»	Pg 21X2	7810.7165.2	7810.7165.0																																			
	10B «57x27»	Pg 29	7810.7166.2	7810.7166.0																																			
	10B «57x27»	Pg 29X2	7810.7167.2	7810.7167.0																																			
	16B «77x27»	M25x2	7816.7168.2	7816.7168.0																																			
	16B «77x27»	M 32	7816.7169.2	7816.7169.0																																			
	16B «77x27»	M 32X2	7816.7170.2	7816.7170.0																																			
	16B «77x27»	M 40	7816.7171.2	7816.7171.0																																			
	16B «77x27»	M 40X2	7816.7172.2	7816.7172.0																																			
16B «77x27»	Pg 21	7816.7173.2	7816.7173.0																																				
16B «77x27»	Pg 21X2	7816.7174.2	7816.7174.0																																				
16B «77x27»	Pg 29	7816.7175.2	7816.7175.0																																				
16B «77x27»	Pg 29X2	7816.7176.2	7816.7176.0																																				
24B «104x27»	M 32	7824.7178.2	7824.7178.0																																				
24B «104x27»	M 32X2	7824.7179.2	7824.7179.0																																				
24B «104x27»	M 40	7824.7180.2	7824.7180.0																																				
24B «104x27»	M 40X2	7824.7181.2	7824.7181.0																																				
24B «104x27»	Pg 21	7824.7182.2	7824.7182.0																																				
24B «104x27»	Pg 21X2	7824.7183.2	7824.7183.0																																				
24B «104x27»	Pg 29	7824.7184.2	7824.7184.0																																				
24B «104x27»	Pg 29X2	7824.7185.2	7824.7185.0																																				




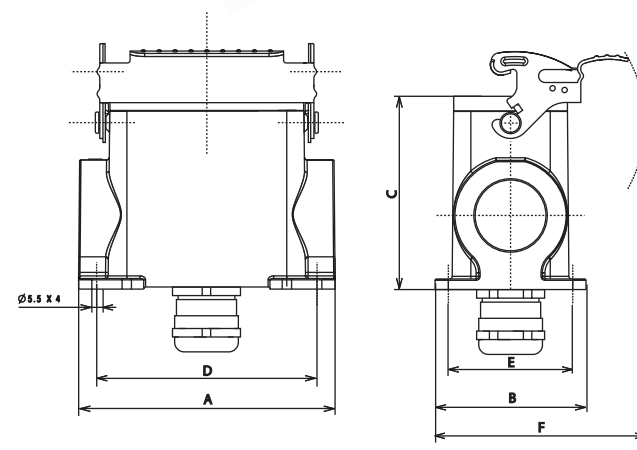
 - Type: STD for standard applications and inserts up to 500V series: S-D, S-DD, S-E, S-ES, S-EP, S-EE, S-HSB, S-ESHV, S-K, S-M, S-EHV crimp
 - Type: STD-HV for standard applications and inserts up to 830V, S-EHV series screw terminal and S-HSB for applications over 500V up to 830V.
 - Tipo: STD per applicazioni standard ed inserti fino a 500V serie S-D, S-DD, S-E, S-ES, S-SP, S-EE, S-HSB, S-ESHV, S-K, S-M, S-EHV crimpare
 - Tipo STD-HV per applicazioni standard ed inserti fino a 830V: serie S-EHV con terminali a vite e S-HSB per applicazioni oltre 500V fino a 830V.
 - IP66/IP69 protection degree
 Grado di protezione IP66/IP69
 - 1 entry or 2 entries
 1 o 2 ingressi

Surface mounting housing with cover Custodia da parete con coperchio	Size Grandezza	Thread Filettatura	Type STD-HV	Type STD
			Part No. - Codice	Part No. - Codice
 <p>HC - High construction HC - Costruzione alta</p>  	6B «44x27»	M25x2		7806.7264.0
	6B «44x27»	M 32		7806.7265.0
	6B «44x27»	M 32X2		7806.7266.0
	6B «44x27»	M 40		7806.7267.0
	6B «44x27»	M 40X2		7806.7268.0
	6B «44x27»	Pg 21		7806.7269.0
	6B «44x27»	Pg 21X2		7806.7270.0
	6B «44x27»	Pg 29		7806.7271.0
	6B «44x27»	Pg 29X2		7806.7272.0
	10B «57x27»	M25x2	7810.7273.2	7810.7273.0
	10B «57x27»	M 32	7810.7274.2	7810.7274.0
	10B «57x27»	M 32X2	7810.7275.2	7810.7275.0
	10B «57x27»	M 40	7810.7276.2	7810.7276.0
	10B «57x27»	M 40X2	7810.7277.2	7810.7277.0
	10B «57x27»	Pg 21	7810.7278.2	7810.7278.0
	10B «57x27»	Pg 21X2	7810.7279.2	7810.7279.0
	10B «57x27»	Pg 29	7810.7280.2	7810.7280.0
	10B «57x27»	Pg 29X2	7810.7281.2	7810.7281.0
	16B «77x27»	M25x2	7816.7282.2	7816.7282.0
	16B «77x27»	M 32	7816.7283.2	7816.7283.0
	16B «77x27»	M 32X2	7816.7284.2	7816.7284.0
	16B «77x27»	M 40	7816.7285.2	7816.7285.0
	16B «77x27»	M 40X2	7816.7286.2	7816.7286.0
	16B «77x27»	Pg 21	7816.7287.2	7816.7287.0
16B «77x27»	Pg 21X2	7816.7288.2	7816.7288.0	
16B «77x27»	Pg 29	7816.7289.2	7816.7289.0	
16B «77x27»	Pg 29X2	7816.7290.2	7816.7290.0	
24B «104x27»	M 32	7824.7292.2	7824.7292.0	
24B «104x27»	M 32X2	7824.7293.2	7824.7293.0	
24B «104x27»	M 40	7824.7294.2	7824.7294.0	
24B «104x27»	M 40X2	7824.7295.2	7824.7295.0	
24B «104x27»	Pg 21	7824.7296.2	7824.7296.0	
24B «104x27»	Pg 21X2	7824.7297.2	7824.7297.0	
24B «104x27»	Pg 29	7824.7298.2	7824.7298.0	
24B «104x27»	Pg 29X2	7824.7299.2	7824.7299.0	

Size Grandezza	A	B	C	D	E	F
6B «44x27»	83.5	57	73	70	45	101
10B «57x27»	97	57	73	82	45	101
16B «77x27»	117	57	77	105	45	101
24B «104x27»	143.5	57	80	132	45	101




- Type: STD for standard applications and inserts up to 500V series: S-D, S-DD, S-E, S-ES, S-EP, S-EE, S-HSB, S-ESHV, S-K, S-M, S-EHV crimp
- Type: STD-HV for standard applications and inserts up to 830V, S-EHV series screw terminal and S-HSB for applications over 500V up to 830V.
- Tipo: STD per applicazioni standard ed inserti fino a 500V serie S-D, S-DD, S-E, S-ES, S-SP, S-EE, S-HSB, S-ESHV, S-K, S-M, S-EHV crimpare
- Tipo STD-HV per applicazioni standard ed inserti fino a 830V: serie S-EHV con terminali a vite e S-HSB per applicazioni oltre 500V fino a 830V.
- IP66/IP69 protection degree
Grado di protezione IP66/IP69
- Metal cover with stainless steel spring, screws and pegs
Coperchio metallico con molla, viti e perni in acciaio inox
- 1 entry or 2 entries
1 o 2 ingressi


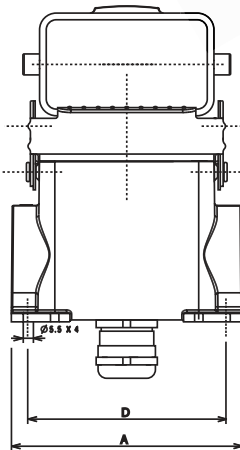
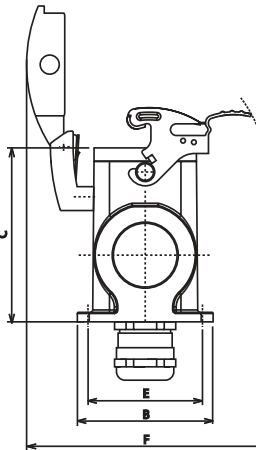
Bottom entry surface mounting housings Custodie da parete con un ingresso sul fondo	Size Grandezza	Thread Filettatura	Type STD-HV Part No. - Codice	Type STD Part No. - Codice
	 <p>IP68</p> <p>HC - High construction HC - Costruzione alta</p> 	6B «44x27»	M 25	
6B «44x27»		M 32		7806.7071.0
10B «57x27»		M 25	7810.7072.2	7810.7072.0
10B «57x27»		M 32	7810.7073.2	7810.7073.0
16B «77x27»		M 25	7816.7074.2	7816.7074.0
16B «77x27»		M 32	7816.7075.2	7816.7075.0
24B «104x27»		M 25	7824.7076.2	7824.7076.0
24B «104x27»		M 32	7824.7077.2	7824.7077.0

Size Grandezza	A	B	C	D	E	F
6B «44x27»	83.5	57	73	70	45	79.5
10B «57x27»	97	57	73	82	45	79.5
16B «77x27»	117	57	77	105	45	79.5
24B «104x27»	143.5	57	80	132	45	79.5

Thread - Filettatura	M 25	M 32
Cable dia - dia Cavo	11 - 18	14 - 21







- Type: STD for standard applications and inserts up to 500V series: S-D, S-DD, S-E, S-ES, S-EP, S-EE, S-HSB, S-ESHV, S-K, S-M, S-EHV crimp
- Type: STD-HV for standard applications and inserts up to 830V, S-EHV series screw terminal and S-HSB for applications over 500V up to 830V.
- Tipo: STD per applicazioni standard ed inserti fino a 500V serie S-D, S-DD, S-E, S-ES, S-SP, S-EE, S-HSB, S-ESHV, S-K, S-M, S-EHV crimpare
- Tipo STD-HV per applicazioni standard ed inserti fino a 830V: serie S-EHV con terminali a vite e S-HSB per applicazioni oltre 500V fino a 830V.
- IP66/IP69 protection degree
 Grado di protezione IP66/IP69
- 1 bottom entry
 1 ingresso sul fondo


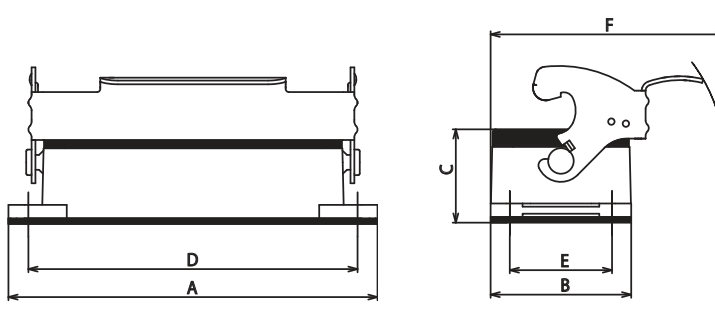
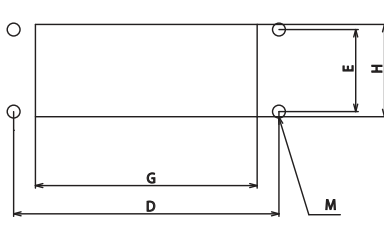
Bottom entry surface mounting housings with cover Custodie da parete con un ingresso sul fondo e coperchio		Size Grandezza	Thread Filettatura	Type STD-HV Part No. - Codice	Type STD Part No. - Codice
 <p>IP68</p> <p>HC - High construction HC - Costruzione alta</p>  		6B «44x27»	M 25		7806.7078.0
		6B «44x27»	M 32		7806.7079.0
		10B «57x27»	M 25	7810.7080.2	7810.7080.0
		10B «57x27»	M 32	7810.7081.2	7810.7081.0
		16B «77x27»	M 25	7816.7082.2	7816.7082.0
		16B «77x27»	M 32	7816.7083.2	7816.7083.0
		24B «104x27»	M 25	7824.7084.2	7824.7084.0
		24B «104x27»	M 32	7824.7085.2	7824.7085.0

Size Grandezza	A	B	C	D	E	F
6B «44x27»	83.5	57	73	70	45	101
10B «57x27»	97	57	73	82	45	101
16B «77x27»	117	57	77	105	45	101
24B «104x27»	143.5	57	80	132	45	101






Thread - Filettatura	M 25	M 32
Cable dia - dia Cavo	11 - 18	14 - 21





 US Type 4/4x/12

- Type: STD for standard applications and inserts up to 500V series: S-D, S-DD, S-E, S-ES, S-EP, S-EE, S-HSB, S-ESHV, S-K, S-M, S-EHV crimp
- Type: STD-HV for standard applications and inserts up to 830V, S-EHV series screw terminal and S-HSB for applications over 500V up to 830V.
- Tipo: STD per applicazioni standard ed inserti fino a 500V serie S-D, S-DD, S-E, S-ES, S-SP, S-EE, S-HSB, S-ESHV, S-K, S-M, S-EHV crimpare
- Tipo STD-HV per applicazioni standard ed inserti fino a 830V: serie S-EHV con terminali a vite e S-HSB per applicazioni oltre 500V fino a 830V.
- IP66/IP69 protection degree
Grado di protezione IP66/IP69
- Metal cover with stainless steel spring, screws and pegs
Coperchio metallico con molla, viti e perni in acciaio inox
- 1 bottom entry
1 ingresso sul fondo

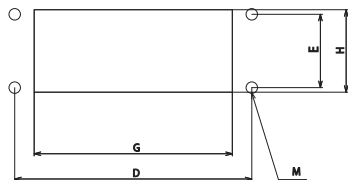
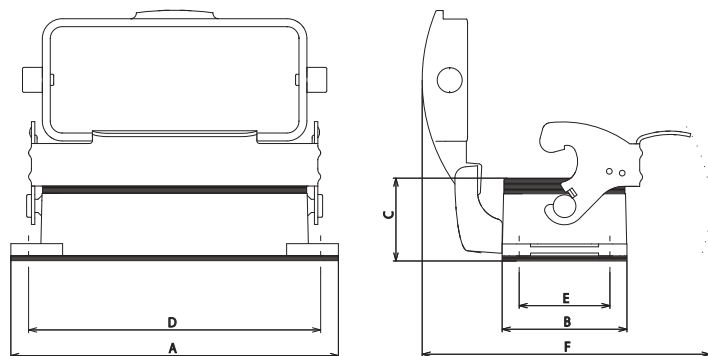
Bulkhead mounting housings Custodie da incasso		Size Grandezza	Type STD-HV Part No. - Codice	Type STD Part No. - Codice
		   <p>Panel cut out Foratura del pannello</p>	6B «44x27» 10B «57x27» 16B «77x27» 24B «104x27» 32B «77x62» 48B «104x62»	7810.6403.2 7816.6405.2 7824.6407.2 7832.6409.0 7848.7440.0

Size Grandezza	A	B	C	D	E	F	G	H	M
6B «44x27»	82	44	29.5	70	32	73	53	36	4.5
10B «57x27»	95.5	44	29.5	83	32	73	66.5	36	4.5
16B «77x27»	115.5	44	29.5	103	32	73	86.5	36	4.5
24B «104x27»	142.5	44	29.5	130	32	73	113	36	4.5
32B «77x62»	124.5	84.5	35.5	110	65	116	87.5	76.5	5.5
48B «104x62»	169	91	40	148	70	136.5	122.5	79.5	6.5

- Type: STD for standard applications and inserts up to 500V series: S-D, S-DD, S-E, S-ES, S-EP, S-EE, S-HSB, S-ESHV, S-K, S-M, S-EHV crimp
- Type: STD-HV for standard applications and inserts up to 830V, S-EHV series screw terminal and S-HSB for applications over 500V up to 830V.
- Tipo: STD per applicazioni standard ed inserti fino a 500V serie S-D, S-DD, S-E, S-ES, S-EP, S-EE, S-HSB, S-ESHV, S-K, S-M, S-EHV crimpare
- Tipo STD-HV per applicazioni standard ed inserti fino a 830V: serie S-EHV con terminali a vite e S-HSB per applicazioni oltre 500V fino a 830V.
- IP66/IP69 protection degree
Grado di protezione IP66/IP69

Bulkhead mounting housings with cover and one lever <i>Custodie da incasso con coperchio e una leva</i>	Size Grandezza	Type STD-HV Part No. - Codice	Type STD Part No. - Codice
--	-------------------	----------------------------------	-------------------------------




Panel cut out
Foratura del pannello

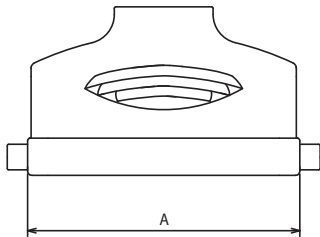
6B «44x27»			7806.6402.0
10B «57x27»		7810.6404.2	7810.6404.0
16B «77x27»		7816.6406.2	7816.6406.0
24B «104x27»		7824.6408.2	7824.6408.0
32B «77x62»		7832.6410.0	7832.6410.0
48B «104x62»		7848.6411.0	7848.6411.0

Size Grandezza	A	B	C	D	E	F	G	H	M
6B «44x27»	82	44	29.5	70	32	101	53	36	4.5
10B «57x27»	95.5	44	29.5	83	32	101	66.5	36	4.5
16B «77x27»	115.5	44	29.5	103	32	101	86.5	36	4.5
24B «104x27»	142.5	44	29.5	130	32	101	113	36	4.5
32B «77x62»	124.5	84.5	35.5	110	65	146	87.5	76.5	5.5
48B «104x62»	169	91	40	148	70	174.5	122.5	79.5	6.5

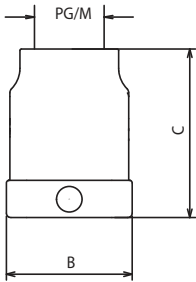


- Type: STD for standard applications and inserts up to 500V series: S-D, S-DD, S-E, S-ES, S-EP, S-EE, S-HSB, S-ESHV, S-K, S-M, S-EHV crimp
- Type: STD-HV for standard applications and inserts up to 830V, S-EHV series screw terminal and S-HSB for applications over 500V up to 830V.
- Tipo: STD per applicazioni standard ed inserti fino a 500V serie S-D, S-DD, S-E, S-ES, S-SP, S-EE, S-HSB, S-ESHV, S-K, S-M, S-EHV crimpare
- Tipo STD-HV per applicazioni standard ed inserti fino a 830V: serie S-EHV con terminali a vite e S-HSB per applicazioni oltre 500V fino a 830V.
- IP66/IP69 protection degree
Grado di protezione IP66/IP69
- Metal cover with stainless steel spring, screws and pegs,
Coperchio metallico con molla, viti e perni in acciaio inox.

Hoods top entry with 2 pegs for one lever <i>Custodie ingresso verticale con 2 perni per una leva</i>	Size <i>Grandezza</i>	Thread <i>Filettatura</i>	Type STD-HV	Type STD
			Part No. - Codice	Part No. - Codice
	6B «44x27»	M 20		7806.6553.0
	6B «44x27»	M 25		7806.6554.0
	6B «44x27»	Pg 13.5		7806.6503.0
	6B «44x27»	Pg 16		7806.6504.0
	10B «57x27»	M 20	7810.6556.2	7810.6556.0
	10B «57x27»	M 25	7810.6593.2	7810.6593.0
	10B «57x27»	Pg 16	7810.6506.2	7810.6506.0
	16B «77x27»	M 25	7816.6558.2	7816.6558.0
	16B «77x27»	M 32	7816.6547.2	7816.6547.0
	16B «77x27»	Pg 21	7816.6508.2	7816.6508.0
	16B «77x27»	Pg 29	7816.6548.2	7816.6548.0
	24B «104x27»	M 25	7824.6560.2	7824.6560.0
	24B «104x27»	M 32	7824.6924.2	7824.6924.0
	24B «104x27»	Pg 21	7824.6510.2	7824.6510.0
	24B «104x27»	Pg 29	7824.6613.2	7824.6613.0



A







B


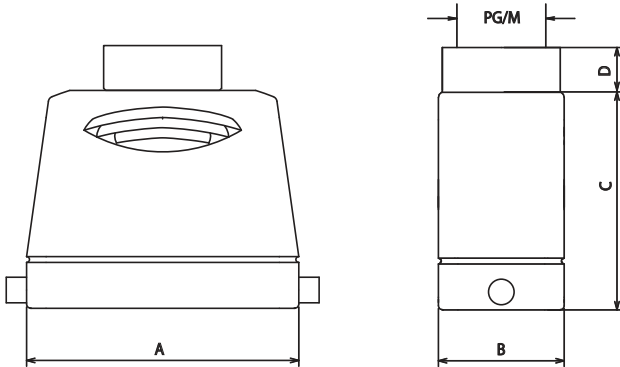
C

PG/M

Size <i>Grandezza</i>	A	B	C
6B «44x27»	60	43.5	53
10B «57x27»	73.5	43.5	58
16B «77x27»	94	43.5	58
24B «104x27»	120.5	43.5	68









 CE RoHS UL US Type 4/4x/12 SP

- Type: STD for standard applications and inserts up to 500V series: S-D, S-DD, S-E, S-ES, S-EP, S-EE, S-HSB, S-ESHV, S-K, S-M, S-EHV crimp
- Type: STD-HV for standard applications and inserts up to 830V, S-EHV series screw terminal and S-HSB for applications over 500V up to 830V.
- Tipo: STD per applicazioni standard ed inserti fino a 500V serie S-D, S-DD, S-E, S-ES, S-EP, S-EE, S-HSB, S-ESHV, S-K, S-M, S-EHV crimpare
- Tipo STD-HV per applicazioni standard ed inserti fino a 830V: serie S-EHV con terminali a vite e S-HSB per applicazioni oltre 500V fino a 830V.
- IP66/IP69 protection degree
Grado di protezione IP66/IP69
- For IP66 and IP68 cable glands
Per pressacavi IP66 e IP68


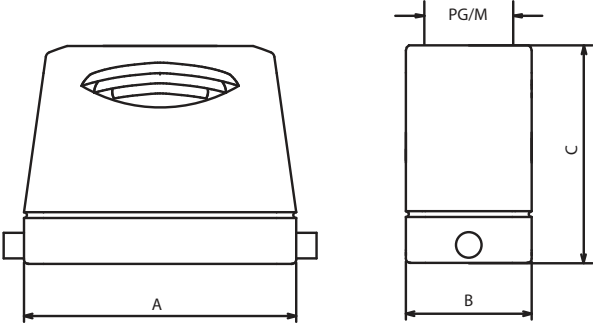
Hoods top entry with 2 pegs for one lever Custodie ingresso verticale con 2 perni per una leva		Size Grandezza	Thread Filettatura	Type STD-HV Part No. - Codice	Type STD Part No. - Codice
 <p>HC - High construction HC - Costruzione alta</p> 		6B «44x27»	M 25		7806.6449.0
		6B «44x27»	M 32		7806.6450.0
		6B «44x27»	Pg 21		7806.6427.0
		6B «44x27»	Pg 29		7806.6428.0
		10B «57x27»	M 32	7810.6451.2	7810.6451.0
		10B «57x27»	M 40	7810.6452.2	7810.6452.0
		10B «57x27»	Pg 21	7810.6429.2	7810.6429.0
		10B «57x27»	Pg 29	7810.6430.2	7810.6430.0
		16B «77x27»	M 32	7816.6453.2	7816.6453.0
		16B «77x27»	M 40	7816.6454.2	7816.6454.0
		16B «77x27»	Pg 21	7816.6431.2	7816.6431.0
		16B «77x27»	Pg 29	7816.6432.2	7816.6432.0
		24B «104x27»	M 32	7824.6455.2	7824.6455.0
		24B «104x27»	M 40	7824.6456.2	7824.6456.0
		24B «104x27»	Pg 21	7824.6433.2	7824.6433.0
		24B «104x27»	Pg 29	7824.6434.2	7824.6434.0
		32B «77x62»	M 32	7832.7135.0	7832.7135.0
		32B «77x62»	M 40	7832.6562.0	7832.6562.0
		32B «77x62»	Pg 29	7832.7134.0	7832.7134.0
		32B «77x62»	Pg 36	7832.6512.0	7832.6512.0
		48B «104x62»	M 32	7848.6566.0	7848.6566.0
		48B «104x62»	M 40	7848.6567.0	7848.6567.0
		48B «104x62»	M 50	7848.6568.0	7848.6568.0
		48B «104x62»	Pg 29	7848.6516.0	7848.6516.0
		48B «104x62»	Pg 36	7848.6517.0	7848.6517.0
		48B «104x62»	Pg 42	7848.6518.0	7848.6518.0

Thread Filettatura	M25	M32	M40	M50	Pg21	Pg29	Pg36	Pg42
D	15	16,5	19,5	22	15	16,5	19,5	22

Size Grandezza	A	B	C
6B «44x27»	60	43.5	75
10B «57x27»	73.5	43.5	◇ 75,5
16B «77x27»	94	43.5	◇ 75,5
24B «104x27»	120.5	43.5	◇ 75,5
32B «77x62»	94	83	89
48B «104x62»	132	90	103


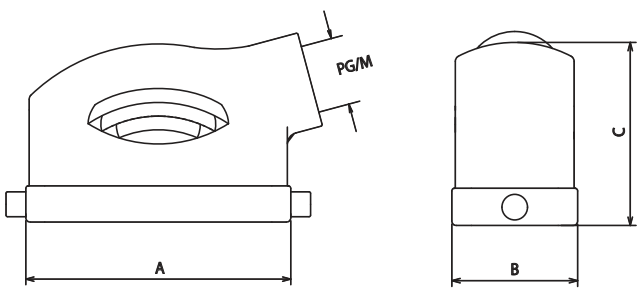





- Type: STD for standard applications and inserts up to 500V series: S-D, S-DD, S-E, S-ES, S-EP, S-EE, S-HSB, S-ESHV, S-K, S-M, S-EHV crimp
- Type: STD-HV for standard applications and inserts up to 830V, S-EHV series screw terminal and S-HSB for applications over 500V up to 830V.
- ◇ For threads M40 and Pg29 C=81 with hoods LS (Large Shape) type.
- Tipo: STD per applicazioni standard ed inserti fino a 500V serie S-D, S-DD, S-E, S-ES, S-EP, S-EE, S-HSB, S-ESHV, S-K, S-M, S-EHV crimpare
- Tipo STD-HV per applicazioni standard ed inserti fino a 830V: serie S-EHV con terminali a vite e S-HSB per applicazioni oltre 500V fino a 830V.
- ◇ Per filettature M40 e Pg29 C=81 con custodie tipo LS
- IP66/IP69 protection degree
Grado di protezione IP66/IP69
- For IP66 and IP68 cable glands
Per pressacavi IP66 e IP68

Hoods top entry with 2 pegs for one lever Custodie ingresso verticale con 2 perni per una leva	Size Grandezza	Thread Filettatura	Type STD-HV	Type STD																												
			Part No. - Codice	Part No. - Codice																												
 <p>HC - High construction for IP68 cable glands HC - Costruzione alta per pressacavi IP68</p>  <table border="1" data-bbox="167 1261 753 1543"> <thead> <tr> <th>Size Grandezza</th> <th>A</th> <th>B</th> <th>C</th> </tr> </thead> <tbody> <tr> <td>6B «44x27»</td> <td>60</td> <td>43.5</td> <td>75</td> </tr> <tr> <td>10B «57x27»</td> <td>73.5</td> <td>43.5</td> <td>◇ 75,5</td> </tr> <tr> <td>16B «77x27»</td> <td>94</td> <td>43.5</td> <td>◇ 75,5</td> </tr> <tr> <td>24B «104x27»</td> <td>120.5</td> <td>43.5</td> <td>◇ 75,5</td> </tr> <tr> <td>32B «77x62»</td> <td>94</td> <td>83</td> <td>89</td> </tr> <tr> <td>48B «104x62»</td> <td>132</td> <td>90</td> <td>103</td> </tr> </tbody> </table>	Size Grandezza	A	B	C	6B «44x27»	60	43.5	75	10B «57x27»	73.5	43.5	◇ 75,5	16B «77x27»	94	43.5	◇ 75,5	24B «104x27»	120.5	43.5	◇ 75,5	32B «77x62»	94	83	89	48B «104x62»	132	90	103	6B «44x27»	M 25		7806.6449.5
	Size Grandezza	A	B	C																												
	6B «44x27»	60	43.5	75																												
	10B «57x27»	73.5	43.5	◇ 75,5																												
	16B «77x27»	94	43.5	◇ 75,5																												
	24B «104x27»	120.5	43.5	◇ 75,5																												
	32B «77x62»	94	83	89																												
	48B «104x62»	132	90	103																												
	6B «44x27»	M 32		7806.6450.5																												
	6B «44x27»	Pg 21		7806.6427.5																												
	6B «44x27»	Pg 29		7806.6428.5																												
	10B «57x27»	M 32	7810.6451.7	7810.6451.5																												
	10B «57x27»	M 40	7810.6452.7	7810.6452.5																												
	10B «57x27»	Pg 21	7810.6429.7	7810.6429.5																												
	10B «57x27»	Pg 29	7810.6430.7	7810.6430.5																												
	16B «77x27»	M 32	7816.6453.7	7816.6453.5																												
16B «77x27»	M 40	7816.6454.7	7816.6454.5																													
16B «77x27»	Pg 21	7816.6431.7	7816.6431.5																													
16B «77x27»	Pg 29	7816.6432.7	7816.6432.5																													
24B «104x27»	M 32	7824.6455.7	7824.6455.5																													
24B «104x27»	M 40	7824.6456.7	7824.6456.5																													
24B «104x27»	Pg 21	7824.6433.7	7824.6433.5																													
24B «104x27»	Pg 29	7824.6434.7	7824.6434.5																													
	32B «77x62»	M 32	7832.7135.5	7832.7135.5																												
	32B «77x62»	M 40	7832.6562.5	7832.6562.5																												
	32B «77x62»	Pg 29	7832.7134.5	7832.7134.5																												
	32B «77x62»	Pg 36	7832.6512.5	7832.6512.5																												
	48B «104x62»	M 32	7848.6566.5	7848.6566.5																												
	48B «104x62»	M 40	7848.6567.5	7848.6567.5																												
	48B «104x62»	M 50	7848.6568.5	7848.6568.5																												
	48B «104x62»	Pg 29	7848.6516.5	7848.6516.5																												
	48B «104x62»	Pg 36	7848.6517.5	7848.6517.5																												
	48B «104x62»	Pg 42	7848.6518.5	7848.6518.5																												


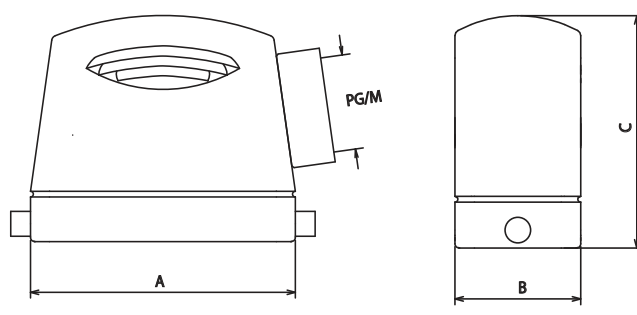






- Type: STD for standard applications and inserts up to 500V series: S-D, S-DD, S-E, S-ES, S-EP, S-EE, S-HSB, S-ESHV, S-K, S-M, S-EHV crimp
- Type: STD-HV for standard applications and inserts up to 830V, S-EHV series screw terminal and S-HSB for applications over 500V up to 830V.
- ◇ For threads M40 and Pg29 C=81 with hoods LS (Large Shape) type.
- Tipo: STD per applicazioni standard ed inserti fino a 500V serie S-D, S-DD, S-E, S-ES, S-EP, S-EE, S-HSB, S-ESHV, S-K, S-M, S-EHV crimpare
- Tipo STD-HV per applicazioni standard ed inserti fino a 830V: serie S-EHV con terminali a vite e S-HSB per applicazioni oltre 500V fino a 830V.
- ◇ Per filettature M40 e Pg29 C=81 con custodie tipo LS
- IP66/IP69 protection degree
Grado di protezione IP66/IP69
- Recommended type for IP68 cable glands
Tipo raccomandato per pressacavi IP68

Hoods side entry with 2 pegs for one lever <i>Custodie ingresso orizzontale con 2 perni per una leva</i>	Size <i>Grandezza</i>	Thread <i>Filettatura</i>	Type STD-HV	Type STD																				
			Part No. - Codice	Part No. - Codice																				
  <table border="1" data-bbox="167 1276 750 1489"> <thead> <tr> <th>Size <i>Grandezza</i></th> <th>A</th> <th>B</th> <th>C</th> </tr> </thead> <tbody> <tr> <td>6B «44x27»</td> <td>60</td> <td>43.5</td> <td>47</td> </tr> <tr> <td>10B «57x27»</td> <td>73.5</td> <td>43.5</td> <td>52</td> </tr> <tr> <td>16B «77x27»</td> <td>94</td> <td>43.5</td> <td>63</td> </tr> <tr> <td>24B «104x27»</td> <td>120.5</td> <td>43.5</td> <td>63</td> </tr> </tbody> </table>	Size <i>Grandezza</i>	A	B	C	6B «44x27»	60	43.5	47	10B «57x27»	73.5	43.5	52	16B «77x27»	94	43.5	63	24B «104x27»	120.5	43.5	63	6B «44x27»	M 20		7806.6551.0
	Size <i>Grandezza</i>	A	B	C																				
	6B «44x27»	60	43.5	47																				
	10B «57x27»	73.5	43.5	52																				
	16B «77x27»	94	43.5	63																				
	24B «104x27»	120.5	43.5	63																				
	6B «44x27»	M 25		7806.6552.0																				
	6B «44x27»	Pg 13.5		7806.6501.0																				
	6B «44x27»	Pg 16		7806.6502.0																				
	10B «57x27»	M 20	7810.6555.2	7810.6555.0																				
	10B «57x27»	M 25	7810.6594.2	7810.6594.0																				
	10B «57x27»	Pg 16	7810.6505.2	7810.6505.0																				
	16B «77x27»	M 25	7816.6557.2	7816.6557.0																				
	16B «77x27»	M 32	7816.6549.2	7816.6549.0																				
	16B «77x27»	Pg 21	7816.6507.2	7816.6507.0																				
	16B «77x27»	Pg 29	7816.6550.2	7816.6550.0																				
24B «104x27»	M 25	7824.6559.2	7824.6559.0																					
24B «104x27»	M 32	7824.6925.2	7824.6925.0																					
24B «104x27»	Pg 21	7824.6509.2	7824.6509.0																					
24B «104x27»	Pg 29	7824.6614.2	7824.6614.0																					


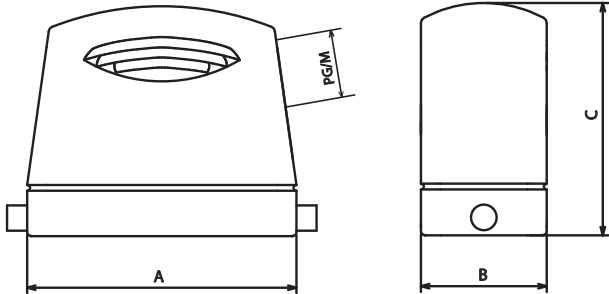


- Type: STD for standard applications and inserts up to 500V series: S-D, S-DD, S-E, S-ES, S-EP, S-EE, S-HSB, S-ESHV, S-K, S-M, S-EHV crimp
- Type: STD-HV for standard applications and inserts up to 830V, S-EHV series screw terminal and S-HSB for applications over 500V up to 830V.
- Tipo: STD per applicazioni standard ed inserti fino a 500V serie S-D, S-DD, S-E, S-ES, S-SP, S-EE, S-HSB, S-ESHV, S-K, S-M, S-EHV crimpare
- Tipo STD-HV per applicazioni standard ed inserti fino a 830V: serie S-EHV con terminali a vite e S-HSB per applicazioni oltre 500V fino a 830V.
- IP66/IP69 protection degree
Grado di protezione IP66/IP69
- For IP66 and IP68 cable glands
Per pressacavi IP66 e IP68

Hoods side entry with 2 pegs for one lever <i>Custodie ingresso orizzontale con 2 perni per una leva</i>	Size <i>Grandezza</i>	Thread <i>Filettatura</i>	Type STD-HV	Type STD																												
			Part No. - Codice	Part No. - Codice																												
 <p>HC - High construction <i>HC - Costruzione alta</i></p>  <table border="1" data-bbox="159 1276 750 1568"> <thead> <tr> <th>Size <i>Grandezza</i></th> <th>A</th> <th>B</th> <th>C</th> </tr> </thead> <tbody> <tr> <td>6B «44x27»</td> <td>60</td> <td>43.5</td> <td>80</td> </tr> <tr> <td>10B «57x27»</td> <td>73.5</td> <td>43.5</td> <td>◇ 80</td> </tr> <tr> <td>16B «77x27»</td> <td>94</td> <td>43.5</td> <td>◇ 80</td> </tr> <tr> <td>24B «104x27»</td> <td>120.5</td> <td>43.5</td> <td>◇ 80</td> </tr> <tr> <td>32B «77x62»</td> <td>94</td> <td>83</td> <td>94</td> </tr> <tr> <td>48B «104x62»</td> <td>132</td> <td>90</td> <td>107</td> </tr> </tbody> </table>	Size <i>Grandezza</i>	A	B	C	6B «44x27»	60	43.5	80	10B «57x27»	73.5	43.5	◇ 80	16B «77x27»	94	43.5	◇ 80	24B «104x27»	120.5	43.5	◇ 80	32B «77x62»	94	83	94	48B «104x62»	132	90	107	6B «44x27»	M 25		7806.6491.0
	Size <i>Grandezza</i>	A	B	C																												
	6B «44x27»	60	43.5	80																												
	10B «57x27»	73.5	43.5	◇ 80																												
	16B «77x27»	94	43.5	◇ 80																												
	24B «104x27»	120.5	43.5	◇ 80																												
	32B «77x62»	94	83	94																												
	48B «104x62»	132	90	107																												
	6B «44x27»	M 32		7806.6492.0																												
	6B «44x27»	Pg 21		7806.6477.0																												
	6B «44x27»	Pg 29		7806.6478.0																												
	10B «57x27»	M 32	7810.6493.2	7810.6493.0																												
	10B «57x27»	M 40	7810.6494.2	7810.6494.0																												
	10B «57x27»	Pg 21	7810.6479.2	7810.6479.0																												
	10B «57x27»	Pg 29	7810.6480.2	7810.6480.0																												
	16B «77x27»	M 32	7816.6495.2	7816.6495.0																												
	16B «77x27»	M 40	7816.6496.2	7816.6496.0																												
	16B «77x27»	Pg 21	7816.6481.2	7816.6481.0																												
	16B «77x27»	Pg 29	7816.6482.2	7816.6482.0																												
	24B «104x27»	M 32	7824.6497.2	7824.6497.0																												
24B «104x27»	M 40	7824.6498.2	7824.6498.0																													
24B «104x27»	Pg 21	7824.6483.2	7824.6483.0																													
24B «104x27»	Pg 29	7824.6484.2	7824.6484.0																													
	32B «77x62»	M 32	7832.7137.0	7832.7137.0																												
	32B «77x62»	M 40	7832.6561.0	7832.6561.0																												
	32B «77x62»	Pg 21	7832.7139.0	7832.7139.0																												
	32B «77x62»	Pg 29	7832.7136.0	7832.7136.0																												
	32B «77x62»	Pg 36	7832.6511.0	7832.6511.0																												
	48B «104x62»	M 32	7848.6563.0	7848.6563.0																												
	48B «104x62»	M 40	7848.6564.0	7848.6564.0																												
	48B «104x62»	M 50	7848.6565.0	7848.6565.0																												
	48B «104x62»	Pg 29	7848.6513.0	7848.6513.0																												
	48B «104x62»	Pg 36	7848.6514.0	7848.6514.0																												
	48B «104x62»	Pg 42	7848.6515.0	7848.6515.0																												


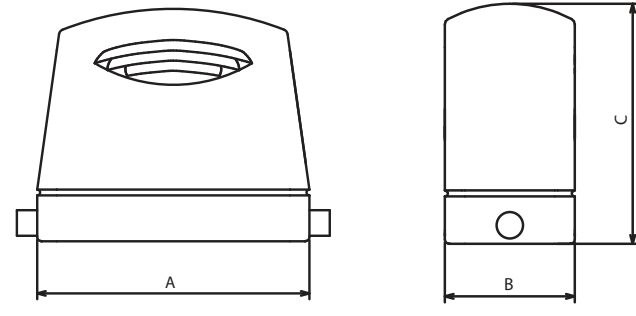





- Type: STD for standard applications and inserts up to 500V series: S-D, S-DD, S-E, S-ES, S-EP, S-EE, S-HSB, S-ESHV, S-K, S-M, S-EHV crimp
- Type: STD-HV for standard applications and inserts up to 830V, S-EHV series screw terminal and S-HSB for applications over 500V up to 830V.
- ◇ For threads M40 and Pg29 C=81 with hoods LS (Large Shape) type.
- Tipo: STD per applicazioni standard ed inserti fino a 500V serie S-D, S-DD, S-E, S-ES, S-EP, S-EE, S-HSB, S-ESHV, S-K, S-M, S-EHV crimpare
- Tipo STD-HV per applicazioni standard ed inserti fino a 830V: serie S-EHV con terminali a vite e S-HSB per applicazioni oltre 500V fino a 830V.
- ◇ Per filettature M40 e Pg29 C=81 con custodie tipo LS
- IP66/IP69 protection degree
Grado di protezione IP66/IP69
- For IP66 and IP68 cable glands
Per pressacavi IP66 e IP68

Hoods side entry with 2 pegs for one lever Custodie ingresso orizzontale con 2 perni per una leva	Size Grandezza	Thread Filettatura	Type STD-HV	Type STD																												
			Part No. - Codice	Part No. - Codice																												
 <p>HC - High Construction for IP68 cable glands HC - Costruzione alta per pressacavi IP68</p>  <table border="1" data-bbox="165 1283 751 1565"> <thead> <tr> <th>Size Grandezza</th> <th>A</th> <th>B</th> <th>C</th> </tr> </thead> <tbody> <tr> <td>6B «44x27»</td> <td>60</td> <td>43.5</td> <td>80</td> </tr> <tr> <td>10B «57x27»</td> <td>73.5</td> <td>43.5</td> <td>◇ 80</td> </tr> <tr> <td>16B «77x27»</td> <td>94</td> <td>43.5</td> <td>◇ 80</td> </tr> <tr> <td>24B «104x27»</td> <td>120.5</td> <td>43.5</td> <td>◇ 80</td> </tr> <tr> <td>32B «77x62»</td> <td>94</td> <td>83</td> <td>94</td> </tr> <tr> <td>48B «104x62»</td> <td>132</td> <td>90</td> <td>107</td> </tr> </tbody> </table>	Size Grandezza	A	B	C	6B «44x27»	60	43.5	80	10B «57x27»	73.5	43.5	◇ 80	16B «77x27»	94	43.5	◇ 80	24B «104x27»	120.5	43.5	◇ 80	32B «77x62»	94	83	94	48B «104x62»	132	90	107	6B «44x27»	M 25		7806.6491.5
	Size Grandezza	A	B	C																												
	6B «44x27»	60	43.5	80																												
	10B «57x27»	73.5	43.5	◇ 80																												
	16B «77x27»	94	43.5	◇ 80																												
	24B «104x27»	120.5	43.5	◇ 80																												
	32B «77x62»	94	83	94																												
	48B «104x62»	132	90	107																												
	6B «44x27»	M 32		7806.6492.5																												
	6B «44x27»	Pg 21		7806.6477.5																												
	6B «44x27»	Pg 29		7806.6478.5																												
	10B «57x27»	M 32	7810.6493.7	7810.6493.5																												
	10B «57x27»	M 40	7810.6494.7	7810.6494.5																												
	10B «57x27»	Pg 21	7810.6479.7	7810.6479.5																												
	10B «57x27»	Pg 29	7810.6480.7	7810.6480.5																												
	16B «77x27»	M 32	7816.6495.7	7816.6495.5																												
	16B «77x27»	M 40	7816.6496.7	7816.6496.5																												
	16B «77x27»	Pg 21	7816.6481.7	7816.6481.5																												
	16B «77x27»	Pg 29	7816.6482.7	7816.6482.5																												
	24B «104x27»	M 32	7824.6497.7	7824.6497.5																												
	24B «104x27»	M 40	7824.6498.7	7824.6498.5																												
	24B «104x27»	Pg 21	7824.6483.7	7824.6483.5																												
	24B «104x27»	Pg 29	7824.6484.7	7824.6484.5																												
	32B «77x62»	M 32	7832.7137.5	7832.7137.5																												
32B «77x62»	M 40	7832.6561.5	7832.6561.5																													
32B «77x62»	Pg 21	7832.7139.5	7832.7139.5																													
32B «77x62»	Pg 29	7832.7136.5	7832.7136.5																													
32B «77x62»	Pg 36	7832.6511.5	7832.6511.5																													
48B «104x62»	M 32	7848.6563.5	7848.6563.5																													
48B «104x62»	M 40	7848.6564.5	7848.6564.5																													
48B «104x62»	M 50	7848.6565.5	7848.6565.5																													
48B «104x62»	Pg 29	7848.6513.5	7848.6513.5																													
48B «104x62»	Pg 36	7848.6514.5	7848.6514.5																													
48B «104x62»	Pg 42	7848.6515.5	7848.6515.5																													




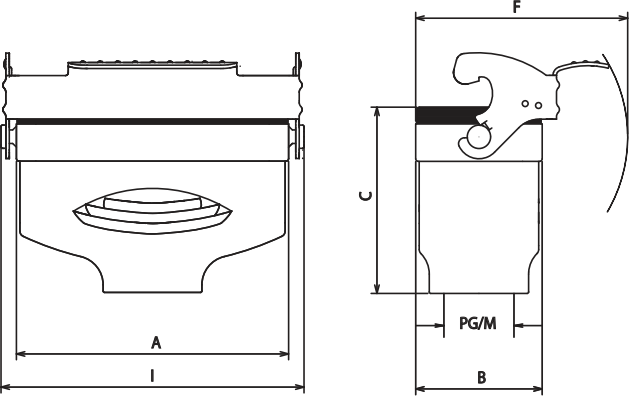
- Type: STD for standard applications and inserts up to 500V series: S-D, S-DD, S-E, S-ES, S-EP, S-EE, S-HSB, S-ESHV, S-K, S-M, S-EHV crimp
- Type: STD-HV for standard applications and inserts up to 830V, S-EHV series screw terminal and S-HSB for applications over 500V up to 830V.
- ◇ For threads M40 and Pg29 C=81 with hoods LS (Large Shape) type.
- Tipo: STD per applicazioni standard ed inserti fino a 500V serie S-D, S-DD, S-E, S-ES, S-EP, S-EE, S-HSB, S-ESHV, S-K, S-M, S-EHV crimpare
- Tipo STD-HV per applicazioni standard ed inserti fino a 830V: serie S-EHV con terminali a vite e S-HSB per applicazioni oltre 500V fino a 830V.
- ◇ Per filettature M40 e Pg29 C=81 con custodie tipo LS
- IP66/IP69 protection degree
Grado di protezione IP66/IP69
- Recommended type for IP68 cable glands
Tipo raccomandato per pressacavi IP68

Hoods without cable entry with 2 pegs for one lever Custodie senza ingresso cavo con 2 perni per una leva	Size Grandezza	Type STD-HV Part No. - Codice	Type STD Part No. - Codice																												
	 <p>HC - High Construction HC - Costruzione alta</p>  <table border="1" data-bbox="140 1288 885 1579"> <thead> <tr> <th>Size Grandezza</th> <th>A</th> <th>B</th> <th>C</th> </tr> </thead> <tbody> <tr> <td>6B «44x27»</td> <td>60</td> <td>43.5</td> <td>80</td> </tr> <tr> <td>10B «57x27»</td> <td>73.5</td> <td>43.5</td> <td>80</td> </tr> <tr> <td>16B «77x27»</td> <td>94</td> <td>43.5</td> <td>80</td> </tr> <tr> <td>24B «104x27»</td> <td>120.5</td> <td>43.5</td> <td>80</td> </tr> <tr> <td>32B «77x62»</td> <td>94</td> <td>83</td> <td>94</td> </tr> <tr> <td>48B «104x62»</td> <td>132</td> <td>90</td> <td>107</td> </tr> </tbody> </table>	Size Grandezza	A	B	C	6B «44x27»	60	43.5	80	10B «57x27»	73.5	43.5	80	16B «77x27»	94	43.5	80	24B «104x27»	120.5	43.5	80	32B «77x62»	94	83	94	48B «104x62»	132	90	107	6B «44x27»	
Size Grandezza		A	B	C																											
6B «44x27»		60	43.5	80																											
10B «57x27»		73.5	43.5	80																											
16B «77x27»		94	43.5	80																											
24B «104x27»		120.5	43.5	80																											
32B «77x62»	94	83	94																												
48B «104x62»	132	90	107																												
	10B «57x27»	7810.7007.2	7810.7007.0																												
	16B «77x27»	7816.7019.2	7816.7019.0																												
	24B «104x27»	7824.7043.2	7824.7043.0																												
	32B «77x62»	7832.7148.0	7832.7148.0																												
	48B «104x62»	7848.7149.0	7848.7149.0																												

- 


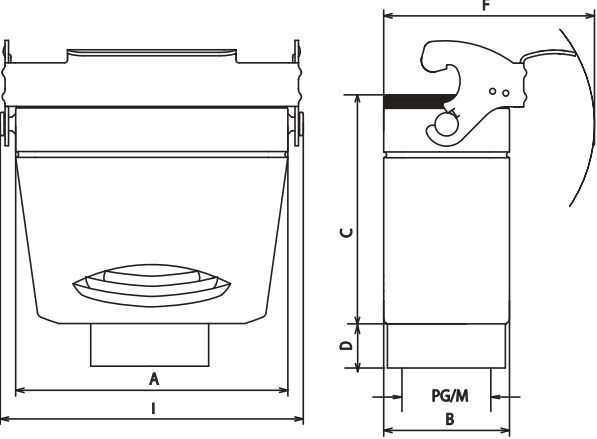






- Type: STD for standard applications and inserts up to 500V series: S-D, S-DD, S-E, S-ES, S-EP, S-EE, S-HSB, S-ESHV, S-K, S-M, S-EHV crimp
 - Type: STD-HV for standard applications and inserts up to 830V, S-EHV series screw terminal and S-HSB for applications over 500V up to 830V.
 - Tipo: STD per applicazioni standard ed inserti fino a 500V serie S-D, S-DD, S-E, S-ES, S-SP, S-EE, S-HSB, S-ESHV, S-K, S-M, S-EHV crimpare
 - Tipo STD-HV per applicazioni standard ed inserti fino a 830V: serie S-EHV con terminali a vite e S-HSB per applicazioni oltre 500V fino a 830V.
 - IP66/IP69 protection degree
 Grado di protezione IP66/IP69


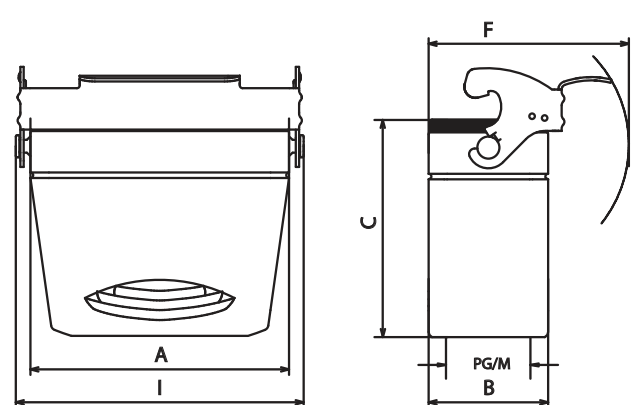
Hoods top entry with one lever and gasket <i>Custodie ingresso verticale con una leva e guarnizione</i>	Size <i>Grandezza</i>	Thread <i>Filettatura</i>	Type STD-HV	Type STD																														
			Part No. - Codice	Part No. - Codice																														
  <table border="1" data-bbox="143 1294 774 1505"> <thead> <tr> <th>Size <i>Grandezza</i></th> <th>A</th> <th>B</th> <th>C</th> <th>I</th> <th>F</th> </tr> </thead> <tbody> <tr> <td>6B «44x27»</td> <td>60</td> <td>43.5</td> <td>59</td> <td>70.5</td> <td>73</td> </tr> <tr> <td>10B «57x27»</td> <td>73.5</td> <td>43.5</td> <td>64</td> <td>84</td> <td>73</td> </tr> <tr> <td>16B «77x27»</td> <td>94</td> <td>43.5</td> <td>64</td> <td>104</td> <td>73</td> </tr> <tr> <td>24B «104x27»</td> <td>120.5</td> <td>43.5</td> <td>74</td> <td>131</td> <td>73</td> </tr> </tbody> </table>	Size <i>Grandezza</i>	A	B	C	I	F	6B «44x27»	60	43.5	59	70.5	73	10B «57x27»	73.5	43.5	64	84	73	16B «77x27»	94	43.5	64	104	73	24B «104x27»	120.5	43.5	74	131	73	6B «44x27»	M 20		7806.6592.0
	Size <i>Grandezza</i>	A	B	C	I	F																												
	6B «44x27»	60	43.5	59	70.5	73																												
	10B «57x27»	73.5	43.5	64	84	73																												
	16B «77x27»	94	43.5	64	104	73																												
	24B «104x27»	120.5	43.5	74	131	73																												
	6B «44x27»	M 25		7806.6581.0																														
	6B «44x27»	Pg 13.5		7806.6542.0																														
	6B «44x27»	Pg 16		7806.6531.0																														
	10B «57x27»	M 25	7810.6582.2	7810.6582.0																														
	10B «57x27»	Pg 16	7810.6532.2	7810.6532.0																														
	16B «77x27»	M 25	7816.6583.2	7816.6583.0																														
	16B «77x27»	Pg 21	7816.6533.2	7816.6533.0																														
24B «104x27»	M 32	7824.6584.2	7824.6584.0																															
24B «104x27»	Pg 21	7824.6534.2	7824.6534.0																															
24B «104x27»	Pg 29	7824.7147.2	7824.7147.0																															



- Type: STD for standard applications and inserts up to 500V series: S-D, S-DD, S-E, S-ES, S-EP, S-EE, S-HSB, S-ESHV, S-K, S-M, S-EHV crimp
- Type: STD-HV for standard applications and inserts up to 830V, S-EHV series screw terminal and S-HSB for applications over 500V up to 830V.
- Tipo: STD per applicazioni standard ed inserti fino a 500V serie S-D, S-DD, S-E, S-ES, S-SP, S-EE, S-HSB, S-ESHV, S-K, S-M, S-EHV crimpare
- Tipo STD-HV per applicazioni standard ed inserti fino a 830V: serie S-EHV con terminali a vite e S-HSB per applicazioni oltre 500V fino a 830V.
- IP66/IP69 protection degree
Grado di protezione IP66/IP69
- For IP66 and IP68 cable glands
Per pressacavi IP66 e IP68

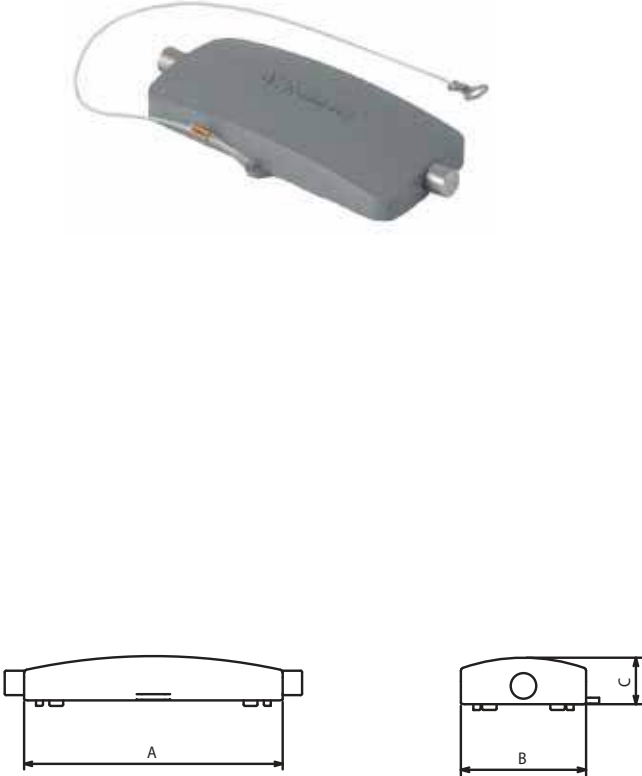
Hoods top entry with one lever and gasket <i>Custodie ingresso verticale con una leva e guarnizione</i>	Size <i>Grandezza</i>	Thread <i>Filettatura</i>	Type STD-HV	Type STD																																												
			Part No. - Codice	Part No. - Codice																																												
 <p>HC - High Construction <i>HC - Costruzione alta</i></p>  <table border="1" data-bbox="191 1332 726 1429"> <thead> <tr> <th>Thread <i>Filettatura</i></th> <th>M25</th> <th>M32</th> <th>M40</th> <th>Pg21</th> <th>Pg29</th> <th>Pg36</th> </tr> </thead> <tbody> <tr> <td>D</td> <td>15</td> <td>16,5</td> <td>19,5</td> <td>15</td> <td>16,5</td> <td>19,5</td> </tr> </tbody> </table> <table border="1" data-bbox="143 1451 774 1662"> <thead> <tr> <th>Size <i>Grandezza</i></th> <th>A</th> <th>B</th> <th>C</th> <th>I</th> <th>F</th> </tr> </thead> <tbody> <tr> <td>10B «57x27»</td> <td>73.5</td> <td>43.5</td> <td>81</td> <td>84</td> <td>73</td> </tr> <tr> <td>16B «77x27»</td> <td>94</td> <td>43.5</td> <td>81,5</td> <td>104</td> <td>73</td> </tr> <tr> <td>24B «104x27»</td> <td>120.5</td> <td>43.5</td> <td>81,5</td> <td>131</td> <td>73</td> </tr> <tr> <td>32B «77x62»</td> <td>94</td> <td>83</td> <td>119</td> <td>104.5</td> <td>116</td> </tr> </tbody> </table>	Thread <i>Filettatura</i>	M25	M32	M40	Pg21	Pg29	Pg36	D	15	16,5	19,5	15	16,5	19,5	Size <i>Grandezza</i>	A	B	C	I	F	10B «57x27»	73.5	43.5	81	84	73	16B «77x27»	94	43.5	81,5	104	73	24B «104x27»	120.5	43.5	81,5	131	73	32B «77x62»	94	83	119	104.5	116	10B «57x27»	M 25	7810.7008.2	7810.7008.0
	Thread <i>Filettatura</i>	M25	M32	M40	Pg21	Pg29	Pg36																																									
	D	15	16,5	19,5	15	16,5	19,5																																									
	Size <i>Grandezza</i>	A	B	C	I	F																																										
	10B «57x27»	73.5	43.5	81	84	73																																										
	16B «77x27»	94	43.5	81,5	104	73																																										
	24B «104x27»	120.5	43.5	81,5	131	73																																										
	32B «77x62»	94	83	119	104.5	116																																										
	10B «57x27»	M 32	7810.7009.2	7810.7009.0																																												
	10B «57x27»	Pg 21	7810.7107.2	7810.7107.0																																												
	10B «57x27»	Pg 29	7810.7108.2	7810.7108.0																																												
	16B «77x27»	M 25	7816.6461.2	7816.6461.0																																												
	16B «77x27»	M 32	7816.6462.2	7816.6462.0																																												
	16B «77x27»	Pg 21	7816.6439.2	7816.6439.0																																												
	16B «77x27»	Pg 29	7816.6440.2	7816.6440.0																																												
	24B «104x27»	M 25	7824.6463.2	7824.6463.0																																												
24B «104x27»	M 32	7824.6464.2	7824.6464.0																																													
24B «104x27»	Pg 21	7824.6441.2	7824.6441.0																																													
24B «104x27»	Pg 29	7824.6442.2	7824.6442.0																																													
32B «77x62»	M 40	7832.6585.0	7832.6585.0																																													
32B «77x62»	Pg 36	7832.6535.0	7832.6535.0																																													

- 



- Type: STD for standard applications and inserts up to 500V series: S-D, S-DD, S-E, S-ES, S-EP, S-EE, S-HSB, S-ESHV, S-K, S-M, S-EHV crimp
 - Type: STD-HV for standard applications and inserts up to 830V, S-EHV series screw terminal and S-HSB for applications over 500V up to 830V.
 - Tipo: STD per applicazioni standard ed inserti fino a 500V serie S-D, S-DD, S-E, S-ES, S-SP, S-EE, S-HSB, S-ESHV, S-K, S-M, S-EHV crimpare
 - Tipo STD-HV per applicazioni standard ed inserti fino a 830V: serie S-EHV con terminali a vite e S-HSB per applicazioni oltre 500V fino a 830V.
 - IP66/IP69 protection degree
Grado di protezione IP66/IP69
 - For IP66 and IP68 cable glands
Per pressacavi IP66 e IP68





Hoods top entry with one lever and gasket <i>Custodie ingresso verticale con una leva e guarnizione</i>	Size <i>Grandezza</i>	Thread <i>Filettatura</i>	Type STD-HV	Type STD																														
			Part No. - Codice	Part No. - Codice																														
 <p>HC - High Construction for IP68 cable glands <i>HC - Costruzione alta per pressacavi IP68</i></p>  <table border="1" data-bbox="127 1321 766 1545"> <thead> <tr> <th>Size <i>Grandezza</i></th> <th>A</th> <th>B</th> <th>C</th> <th>I</th> <th>F</th> </tr> </thead> <tbody> <tr> <td>10B «57x27»</td> <td>73,5</td> <td>43,5</td> <td>81</td> <td>84</td> <td>73</td> </tr> <tr> <td>16B «77x27»</td> <td>94</td> <td>43,5</td> <td>81,5</td> <td>104</td> <td>73</td> </tr> <tr> <td>24B «104x27»</td> <td>120,5</td> <td>43,5</td> <td>81,5</td> <td>131</td> <td>73</td> </tr> <tr> <td>32B «77x62»</td> <td>94</td> <td>83</td> <td>95</td> <td>104,5</td> <td>116</td> </tr> </tbody> </table>	Size <i>Grandezza</i>	A	B	C	I	F	10B «57x27»	73,5	43,5	81	84	73	16B «77x27»	94	43,5	81,5	104	73	24B «104x27»	120,5	43,5	81,5	131	73	32B «77x62»	94	83	95	104,5	116	10B «57x27»	M 25	7810.7008.7	7810.7008.5
	Size <i>Grandezza</i>	A	B	C	I	F																												
	10B «57x27»	73,5	43,5	81	84	73																												
	16B «77x27»	94	43,5	81,5	104	73																												
	24B «104x27»	120,5	43,5	81,5	131	73																												
	32B «77x62»	94	83	95	104,5	116																												
	10B «57x27»	M 32	7810.7009.7	7810.7009.5																														
	10B «57x27»	Pg 21	7810.7107.7	7810.7107.5																														
	10B «57x27»	Pg 29	7810.7108.7	7810.7108.5																														
	16B «77x27»	M 25	7816.6461.7	7816.6461.5																														
	16B «77x27»	M 32	7816.6462.7	7816.6462.5																														
	16B «77x27»	Pg 21	7816.6439.7	7816.6439.5																														
	16B «77x27»	Pg 29	7816.6440.7	7816.6440.5																														
	24B «104x27»	M 25	7824.6463.7	7824.6463.5																														
	24B «104x27»	M 32	7824.6464.7	7824.6464.5																														
	24B «104x27»	Pg 21	7824.6441.7	7824.6441.5																														
24B «104x27»	Pg 29	7824.6442.7	7824.6442.5																															
32B «77x62»	M 40	7832.6585.5	7832.6585.5																															
32B «77x62»	Pg 36	7832.6535.5	7832.6535.5																															




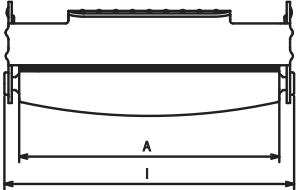
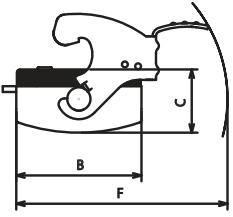
- Type: STD for standard applications and inserts up to 500V series: S-D, S-DD, S-E, S-ES, S-EP, S-EE, S-HSB, S-ESHV, S-K, S-M, S-EHV crimp
- Type: STD-HV for standard applications and inserts up to 830V, S-EHV series screw terminal and S-HSB for applications over 500V up to 830V.
- Tipo: STD per applicazioni standard ed inserti fino a 500V serie S-D, S-DD, S-E, S-ES, S-SP, S-EE, S-HSB, S-ESHV, S-K, S-M, S-EHV crimpare
- Tipo STD-HV per applicazioni standard ed inserti fino a 830V: serie S-EHV con terminali a vite e S-HSB per applicazioni oltre 500V fino a 830V.
- IP66/IP69 protection degree
Grado di protezione IP66/IP69
- Recommended type for IP68 cable glands
Tipo raccomandato per pressacavi IP68

Covers with 2 pegs without gasket <i>Coperchi con due perni senza guarnizione</i>	Size <i>Grandezza</i>	Type STD-HV Part No. - Codice	Type STD Part No. - Codice
		6B «44x27»	7806.6813.0
10B «57x27»		7810.6814.0	7810.6814.0
16B «77x27»		7816.6815.0	7816.6815.0
24B «104x27»		7824.6816.0	7824.6816.0
32B «77x62»		7832.6817.0	7832.6817.0





Size <i>Grandezza</i>	A	B	C
6B «44x27»	60	43	16
10B «57x27»	73	43	16
16B «77x27»	94	43	16
24B «104x27»	120	43	17
32B «77x62»	94	83	18

- Type: STD-HV for standard applications and inserts up to 830V, for hood/housings STD and STD-HV series
- *Tipo: STD-HV per applicazioni standard ed inserti fino a 830V: per custodie serie STD e STD-HV*
- IP66/IP69 protection degree
Grado di protezione IP66/IP69

Covers with one lever and gasket <i>Coperchi con una leva e guarnizione</i>	Size <i>Grandezza</i>	Type STD-HV Part No. - Codice	Type STD Part No. - Codice
	  	6B «44x27»	7806.6818.0
10B «57x27»		7810.6819.0	7810.6819.0
16B «77x27»		7816.6820.0	7816.6820.0
24B «104x27»		7824.6821.0	7824.6821.0
32B «77x62»		7832.6822.0	7832.6822.0

Size <i>Grandezza</i>	A	B	C	I	F
6B «44x27»	60	43	22	70.5	73
10B «57x27»	73	43	22	83.5	73
16B «77x27»	94	43	22	104	73
24B «104x27»	120	43	23	130.5	73
32B «77x62»	94	83	24	104.5	116

- Type: STD-HV for standard applications and inserts up to 830V, for hood/housings STD and STD-HV series
- *Tipo: STD-HV per applicazioni standard ed inserti fino a 830V: per custodie serie STD e STD-HV*
- IP66/IP69 protection degree
Grado di protezione IP66/IP69

Technical characteristics
 Caratteristiche tecniche



Housings with automatic cover

Custodie con coperchio con chiusura automatica

These housings are provided with a special closing system that allows the automatic fastening of the cover, so that the IP66 degree is automatically achieved.

IP69 protection degree with lever.

When for any reason (transport, maintenance, cleaning, etc.) the operator disconnects the mobile connector from the machine, he has to protect the insert of the fixed connector applying and locking the cover with the lever of the mechanical locking system. This has to be done to avoid that further operations may damage the fixed connector and/or the electrical equipment if bulkhead housing are used. The new Molex housings with automatic cover fully automatically protect the fixed connectors and the electrical equipments on which they are assembled as soon as the mobile connector is disconnected.

The fastening of the cover is obtained by a combination of a magnetic and a mechanical mechanism which allows the firm closure of the cover.

The opening of the cover is facilitated by pushing the lever in the opposite direction.

These housings are coupable to all mobile enclosures with single locking system with one lever. They are also compatible with metal hoods by other manufacturers, though we guarantee best performances and precise conformity to standards using Molex inserts, enclosures and cable glands.

Please pay attention while using automatic cover housings near components sensitive to strong magnetic fields.

PATENTED

Le custodie fisse sono provviste di uno speciale sistema di chiusura che permette di ottenere la chiusura automatica del coperchio con un grado IP66.

Grado di protezione IP69 con leva.

Quando l'operatore scollega il connettore mobile dalla macchina per una qualsiasi ragione, trasporto, manutenzione, pulizia, ecc., deve proteggere l'inserto del connettore fisso applicando e chiudendo manualmente il coperchio con la leva del sistema di chiusura meccanico: questo per evitare che le successive operazioni siano la causa di seri danni al connettore stesso ed alla apparecchiatura elettrica collegata se viene usata una custodia da incasso.

Le nuove custodie Molex con coperchio con chiusura automatica proteggono il connettore fisso e le apparecchiature elettriche dove sono assemblate in modo completamente automatico intervenendo non appena il connettore mobile viene disconnesso.

La chiusura del coperchio è ottenuta con la combinazione di meccanismi magnetici e meccanici che consentono la perfetta chiusura del coperchio.

L'apertura del coperchio è facilitata dalla leva spinta dalla parte opposta alla chiusura.

Queste custodie possono essere accoppiate con tutte le custodie mobili con chiusura a leva singola.

Esse sono inoltre compatibili con altre custodie metalliche prodotte da altri costruttori sebbene garantiamo le massime prestazioni e la perfetta rispondenza alle Norme utilizzando inserti, custodie e pressacavi Molex.


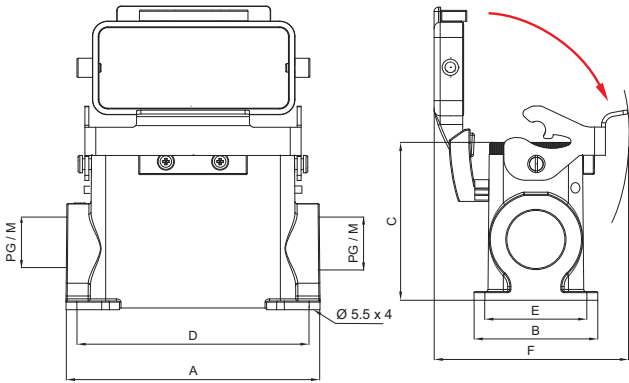
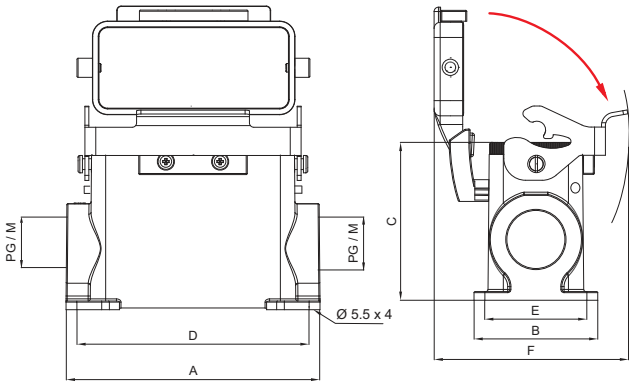
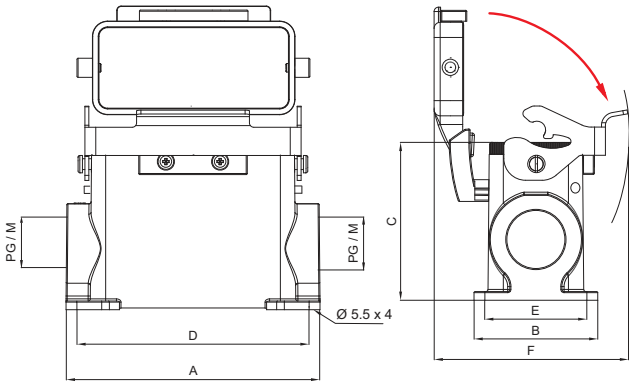
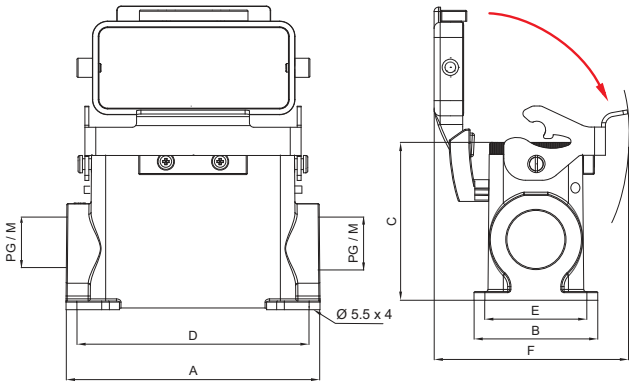
Consigliamo di verificarne l'impiego nelle vicinanze di componenti sensibili a forti campi magnetici

BREVETTATE





Surface mounting housing with automatic cover Custodia da parete con coperchio con chiusura automatica		Size Grandezza	Thread Filettatura	Type STD-HV Part No. - Codice	Type STD Part No. - Codice
		6B «44x27»	M 20		7806.7251.0
		6B «44x27»	M 20X2		7806.7252.0
		6B «44x27»	Pg 16		7806.7211.0
		6B «44x27»	Pg 16X2		7806.7212.0
		10B «57x27»	M 20	7810.7253.2	7810.7253.0
		10B «57x27»	M 20X2	7810.7254.2	7810.7254.0
		10B «57x27»	Pg 16	7810.7213.2	7810.7213.0
		10B «57x27»	Pg 16X2	7810.7214.2	7810.7214.0
		16B «77x27»	M 25	7816.7255.2	7816.7255.0
		16B «77x27»	M 25X2	7816.7256.2	7816.7256.0
		16B «77x27»	Pg 21	7816.7215.2	7816.7215.0
		16B «77x27»	Pg 21X2	7816.7216.2	7816.7216.0
		24B «104x27»	M 25	7824.7257.2	7824.7257.0
		24B «104x27»	M 25X2	7824.7258.2	7824.7258.0
		24B «104x27»	Pg 21	7824.7217.2	7824.7217.0
		24B «104x27»	Pg 21X2	7824.7218.2	7824.7218.0


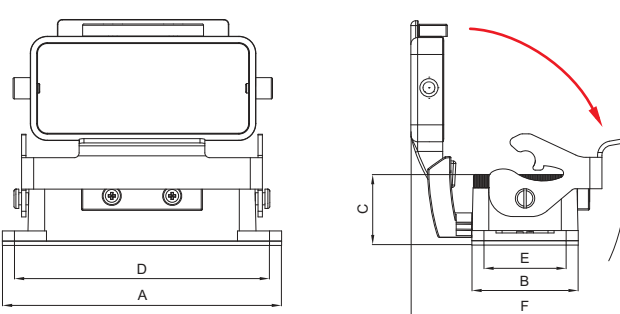
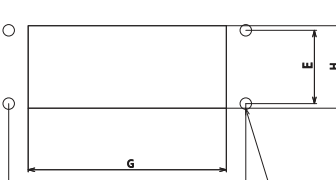
Size Grandezza	A	B	C	D	E	F
6B «44x27»	83.5	57	53	70	40	101
10B «57x27»	97	57	57	82	40	101
16B «77x27»	117	57	63	105	45	101
24B «104x27»	143.5	57	63	132	45	101

- Type: STD for standard applications and inserts up to 500V series: S-D, S-DD, S-E, S-ES, S-EP, S-EE, S-HSB, S-ESHV, S-K, S-M, S-EHV crimp
- Type: STD-HV for standard applications and inserts up to 830V, S-EHV series screw terminal and S-HSB for applications over 500V up to 830V.
- Tipo: STD per applicazioni standard ed inserti fino a 500V serie S-D, S-DD, S-E, S-ES, S-EP, S-EE, S-HSB, S-ESHV, S-K, S-M, S-EHV crimpare
- Tipo STD-HV per applicazioni standard ed inserti fino a 830V: serie S-EHV con terminali a vite e S-HSB per applicazioni oltre 500V fino a 830V.
- IP66, IP69 protection degree
- Grado di protezione IP66, IP69
- Metal cover with stainless steel spring, screws and pegs
Coperchio metallico con molla, viti e perni in acciaio inox
- 1 entry or 2 entries
1 o 2 ingressi
- Patented
Brevettate





Surface mounting housing with automatic cover Custodia da parete con coperchio con chiusura automatica		Size Grandezza	Thread Filettatura	Type STD-HV Part No. - Codice	Type STD Part No. - Codice
 <p>HC - High construction HC - Costruzione alta</p> 		6B «44x27»	M25x2		7806.7220.0
		6B «44x27»	M 32		7806.7221.0
		6B «44x27»	M 32X2		7806.7222.0
		6B «44x27»	M 40		7806.7223.0
		6B «44x27»	M 40X2		7806.7224.0
		6B «44x27»	Pg 21		7806.7225.0
		6B «44x27»	Pg 21X2		7806.7226.0
		6B «44x27»	Pg 29		7806.7227.0
		6B «44x27»	Pg 29X2		7806.7228.0
				10B «57x27»	M25x2
10B «57x27»	M 32			7810.7230.2	7810.7230.0
10B «57x27»	M 32X2			7810.7231.2	7810.7231.0
10B «57x27»	M 40			7810.7232.2	7810.7232.0
10B «57x27»	M 40X2			7810.7233.2	7810.7233.0
10B «57x27»	Pg 21			7810.7234.2	7810.7234.0
10B «57x27»	Pg 21X2			7810.7235.2	7810.7235.0
10B «57x27»	Pg 29			7810.7236.2	7810.7236.0
10B «57x27»	Pg 29X2			7810.7237.2	7810.7237.0
				16B «77x27»	M25x2
		16B «77x27»	M 32	7816.7239.2	7816.7239.0
		16B «77x27»	M 32X2	7816.7240.2	7816.7240.0
		16B «77x27»	M 40	7816.7241.2	7816.7241.0
		16B «77x27»	M 40X2	7816.7242.2	7816.7242.0
		16B «77x27»	Pg 21	7816.7243.2	7816.7243.0
		16B «77x27»	Pg 21X2	7816.7244.2	7816.7244.0
		16B «77x27»	Pg 29	7816.7245.2	7816.7245.0
		16B «77x27»	Pg 29X2	7816.7246.2	7816.7246.0
				24B «104x27»	M 32
24B «104x27»	M 32X2			7824.7248.2	7824.7248.0
24B «104x27»	M 40			7824.7249.2	7824.7249.0
24B «104x27»	M 40X2			7824.7250.2	7824.7250.0
24B «104x27»	Pg 21			7824.7201.2	7824.7201.0
24B «104x27»	Pg 21X2			7824.7202.2	7824.7202.0
24B «104x27»	Pg 29			7824.7203.2	7824.7203.0
24B «104x27»	Pg 29X2			7824.7204.2	7824.7204.0

Size Grandezza	A	B	C	D	E	F
6B «44x27»	83.5	57	73	70	45	101
10B «57x27»	97	57	73	82	45	101
16B «77x27»	117	57	77	105	45	101
24B «104x27»	143.5	57	80	132	45	101


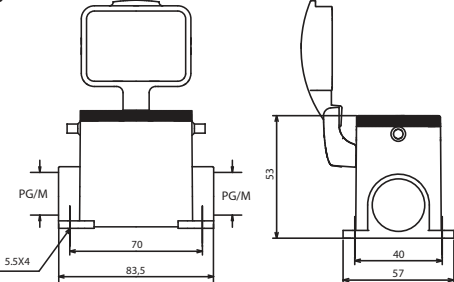

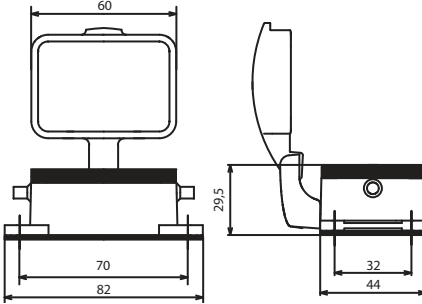

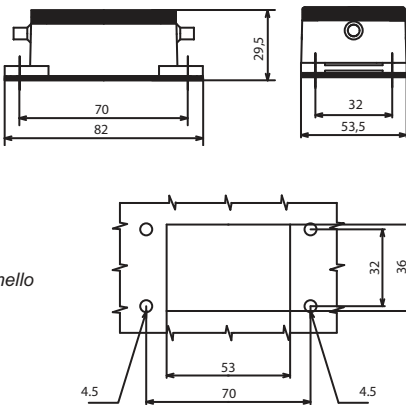
- 



- Type: STD for standard applications and inserts up to 500V series: S-D, S-DD, S-E, S-ES, S-EP, S-EE, S-HSB, S-ESHV, S-K, S-M, S-EHV crimp
 - Type: STD-HV for standard applications and inserts up to 830V, S-EHV series screw terminal and S-HSB for applications over 500V up to 830V.
 - Tipo: STD per applicazioni standard ed inserti fino a 500V serie S-D, S-DD, S-E, S-ES, S-SP, S-EE, S-HSB, S-ESHV, S-K, S-M, S-EHV crimpare
 - Tipo STD-HV per applicazioni standard ed inserti fino a 830V: serie S-EHV con terminali a vite e S-HSB per applicazioni oltre 500V fino a 830V.
 - IP66, IP69 protection degree
 - Grado di protezione IP66, IP69
 - Metal cover with stainless steel spring, screws and pegs
Coperchio metallico con molla, viti e perni in acciaio inox
 - 1 entry or 2 entries
1 o 2 ingressi
 - **Patented**
Brevetate


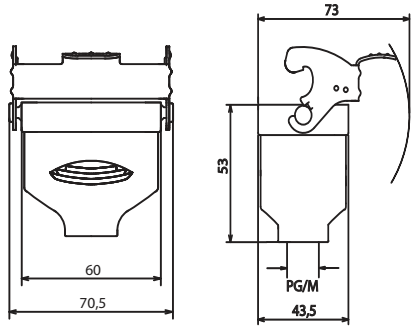






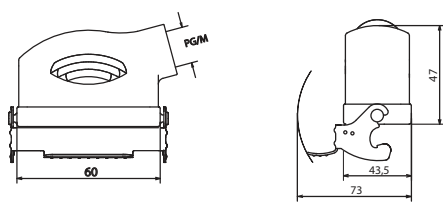






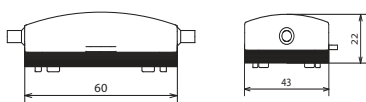





Bulkhead mounting housings with automatic cover <i>Custodie da incasso con coperchio con chiusura automatica</i>	Size Grandezza	Type STD-HV Part No. - Codice	Type STD Part No. - Codice
	   <p>Panel cut out <i>Foratura del pannello</i></p>	6B «44x27»	
10B «57x27»		7810.7206.2	7810.7206.0
16B «77x27»		7816.7207.2	7816.7207.0
24B «104x27»		7824.7208.2	7824.7208.0

Size Grandezza	A	B	C	D	E	F	G	H	M
6B «44x27»	82	44	29.5	70	32	101	53	36	4.5
10B «57x27»	95.5	44	29.5	83	32	101	66.5	36	4.5
16B «77x27»	115.5	44	29.5	103	32	101	86.5	36	4.5
24B «104x27»	142.5	44	29.5	130	32	101	113	36	4.5

- Type: STD for standard applications and inserts up to 500V series: S-D, S-DD, S-E, S-ES, S-EP, S-EE, S-HSB, S-ESHV, S-K, S-M, S-EHV crimp
- Type: STD-HV for standard applications and inserts up to 830V, S-EHV series screw terminal and S-HSB for applications over 500V up to 830V.
- Tipo: STD per applicazioni standard ed inserti fino a 500V serie S-D, S-DD, S-E, S-ES, S-SP, S-EE, S-HSB, S-ESHV, S-K, S-M, S-EHV crimpare
- Tipo STD-HV per applicazioni standard ed inserti fino a 830V: serie S-EHV con terminali a vite e S-HSB per applicazioni oltre 500V fino a 830V.
- IP66, IP69 protection degree
- Grado di protezione IP66, IP69
- Metal cover with stainless steel spring, screws and pegs
Coperchio metallico con molla, viti e perni in acciaio inox
- **Patented**
Brevettate

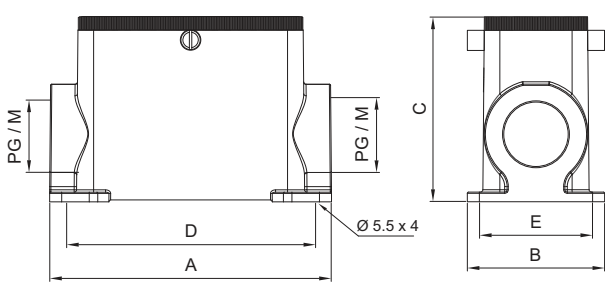
Size 6B «44x27» Grandezza 6B «44x27»	Type STD Tipo STD	Thread Filettatura	Part No. Codice
<p>Surface mounting housing with cover and 2 pegs Custodia da parete con coperchio e 2 perni</p>  <p>CE (RoHS) cRU US Type 4/4x/12 cSP US</p> <ul style="list-style-type: none"> - Type: STD for standard applications and inserts up to 500V series S-DD, S-E, S-ES, S-EP, S-EE, S-M - Tipo: STD per applicazioni standard ed inserti fino a 500V serie S-DD, S-E, S-ES, S-EP, S-EE, S-M - 1 or 2 entries 1 o 2 ingressi 	 <p>Remarks: The enclosures assure an IP66/IP69 degree of protection when coupled and blocked by the levers. The cover only provides mechanical protection and does not assure an IP66/IP69 degree of protection. Avvertenza: Le custodie garantiscono il grado di protezione IP66/IP69 quando sono accoppiate e bloccate tramite le leve di chiusura. Il coperchio determina solo una protezione meccanica senza assicurare il grado di protezione IP66/IP69</p>	<p>M 20 M 20x2 Pg 16 Pg 16x2</p>	<p>7806.6391.0 7806.6392.0 7806.6343.0 7806.6344.0</p>
<p>Bulkhead mounting housing with cover and 2 pegs Custodia da incasso con coperchio e 2 perni</p>  <p>CE (RoHS) cRU US Type 4/4x/12 cSP US</p> <ul style="list-style-type: none"> - Type: STD for standard applications and inserts up to 500V series S-DD, S-E, S-ES, S-EP, S-EE, S-M - Tipo: STD per applicazioni standard ed inserti fino a 500V serie S-DD, S-E, S-ES, S-EP, S-EE, S-M 	 <p>Remarks: The enclosures assure an IP66/IP69 degree of protection when coupled and blocked by the levers. The cover only provides mechanical protection and does not assure an IP66/IP69 degree of protection. Avvertenza: Le custodie garantiscono il grado di protezione IP66/IP69 quando sono accoppiate e bloccate tramite le leve di chiusura. Il coperchio determina solo una protezione meccanica senza assicurare il grado di protezione IP66/IP69</p>		<p>7806.6395.0</p>
<p>Bulkhead mounting housing with 2 pegs Custodia da incasso con 2 perni</p>  <p>CE (RoHS) cRU US Type 4/4x/12 cSP US</p> <ul style="list-style-type: none"> - Type: STD for standard applications and inserts up to 500V series S-DD, S-E, S-ES, S-EP, S-EE, S-M - Tipo: STD per applicazioni standard ed inserti fino a 500V serie S-DD, S-E, S-ES, S-EP, S-EE, S-M <p>Panel cut out Foratura del pannello</p>			<p>7806.6396.0</p>

Size 6B «44x27» Grandezza 6B «44x27»	Type STD Tipo STD	Thread Filettatura	Part No. Codice
<p>Hoods top entry with lever without gasket Custodia ingresso verticale con leva senza guarnizione</p>   <p>      </p> <ul style="list-style-type: none"> - Type: STD for standard applications and inserts up to 500V series S-DD, S-E, S-ES, S-EP, S-EE, S-M - Tipo: STD per applicazioni standard ed inserti fino a 500V serie S-DD, S-E, S-ES, S-EP, S-EE, S-M - For IP66 and IP68 cable glands Per pressacavi IP66 e IP68 	<p>M 20 M 25 Pg 13,5 Pg 16</p>	<p>7806.7001.0 7806.7002.0 7806.7101.0 7806.7102.0</p>	
<p>Hoods side entry with lever without gasket Custodia ingresso orizzontale con leva senza guarnizione</p>   <p>      </p> <ul style="list-style-type: none"> - Type: STD for standard applications and inserts up to 500V series S-DD, S-E, S-ES, S-EP, S-EE, S-M - Tipo: STD per applicazioni standard ed inserti fino a 500V serie S-DD, S-E, S-ES, S-EP, S-EE, S-M - For IP66 and IP68 cable glands Per pressacavi IP66 e IP68 	<p> Right entry Ingresso destro M 20 M 25 Pg 13,5 Pg 16 Left entry Ingresso sinistro M 20 M 25 Pg 13,5 Pg 16 </p>	<p> Right entry Ingresso destro 7806.7450.0 7806.7451.0 7806.7550.0 7806.7551.0 Left entry Ingresso sinistro 7806.7452.0 7806.7453.0 7806.7552.0 7806.7553.0 </p>	
<p>Cover with 2 pegs and gasket Coperchio con 2 perni e guarnizione</p>   <p>      </p> <ul style="list-style-type: none"> - Type: STD for standard applications and inserts up to 500V series S-DD, S-E, S-ES, S-EP, S-EE, S-M - Tipo: STD per applicazioni standard ed inserti fino a 500V serie S-DD, S-E, S-ES, S-EP, S-EE, S-M 		<p>7806.6991.0</p>	

Surface mounting housings with 2 pegs for one central lever Custodie da parete con 2 perni per leva centrale	Size Grandezza	Thread Filettatura	Type STD-HV	Type STD
			Part No. - Codice	Part No. - Codice



HC - High construction
 HC - Costruzione alta


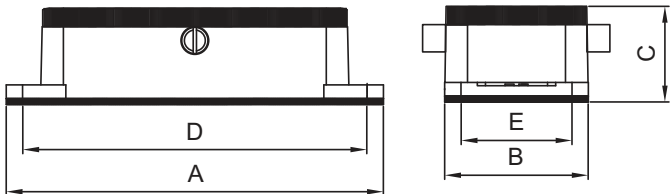
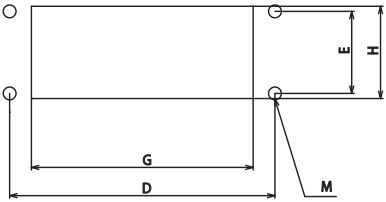


Size Grandezza	A	B	C	D	E
6B «44x27»	83.5	57	72	70	40
10B «57x27»	97	57	73	82	40
16B «77x27»	117	57	77	105	45
24B «104x27»	143.5	57	80	132	45





6B «44x27»	M25x2		7806.5212.0
6B «44x27»	M 32X2		7806.5214.0
6B «44x27»	M 40X2		7806.5216.0
6B «44x27»	Pg 21X2		7806.5218.0
6B «44x27»	Pg 29X2		7806.5220.0
10B «57x27»	M25x2	7810.5222.2	7810.5222.0
10B «57x27»	M 32X2	7810.5224.2	7810.5224.0
10B «57x27»	M 40X2	7810.5226.2	7810.5226.0
10B «57x27»	Pg 21X2	7810.5228.2	7810.5228.0
10B «57x27»	Pg 29X2	7810.5230.2	7810.5230.0
16B «77x27»	M25x2	7816.5232.2	7816.5232.0
16B «77x27»	M 32X2	7816.5234.2	7816.5234.0
16B «77x27»	M 40X2	7816.5236.2	7816.5236.0
16B «77x27»	Pg 21X2	7816.5238.2	7816.5238.0
16B «77x27»	Pg 29X2	7816.5240.2	7816.5240.0
24B «104x27»	M 32X2	7824.5244.2	7824.5244.0
24B «104x27»	M 40X2	7824.5246.2	7824.5246.0
24B «104x27»	Pg 21X2	7824.5248.2	7824.5248.0
24B «104x27»	Pg 29X2	7824.5250.2	7824.5250.0




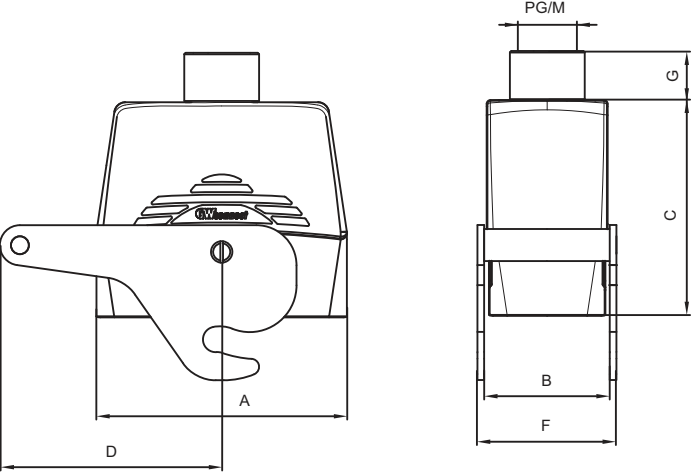
- Type: STD for standard applications and inserts up to 500V series: S-D, S-DD, S-E, S-ES, S-EP, S-EE, S-HSB, S-ESHV, S-K, S-M, S-EHV crimp
- Type: STD-HV for standard applications and inserts up to 830V, S-EHV series screw terminal and S-HSB for applications over 500V up to 830V.
- Tipo: STD per applicazioni standard ed inserti fino a 500V serie S-D, S-DD, S-E, S-ES, S-SP, S-EE, S-HSB, S-ESHV, S-K, S-M, S-EHV crimpare
- Tipo STD-HV per applicazioni standard ed inserti fino a 830V: serie S-EHV con terminali a vite e S-HSB per applicazioni oltre 500V fino a 830V.
- IP66 / IP69 protection degree
Grado di protezione IP66 / IP69
- 2 entries
2 ingressi


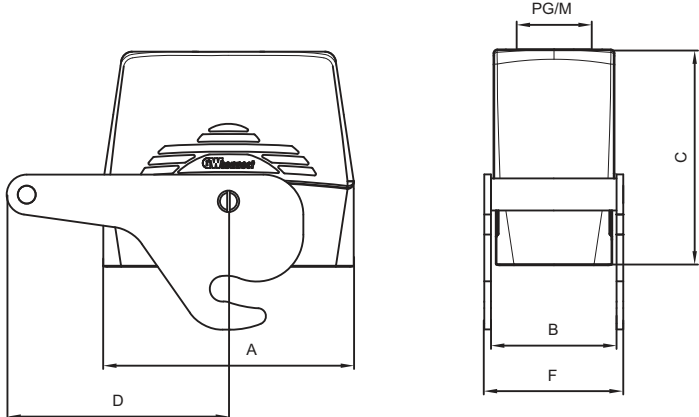
Bulkhead mounting housings with 2 pegs for one central lever Custodie da incasso con 2 perni per leva centrale	Size Grandezza	Type STD-HV	Type STD
		Part No. - Codice	Part No. - Codice
   Panel cut out Foratura del pannello	6B «44x27»		7806.5270.0
	10B «57x27»	7810.5271.2	7810.5271.0
	16B «77x27»	7816.5272.2	7816.5272.0
	24B «104x27»	7824.5273.2	7824.5273.0

Size Grandezza	A	B	C	D	E	G	H	M
6B «44x27»	82	44	29.5	70	32	53	36	4.5
10B «57x27»	95.5	44	29.5	83	32	66.5	36	4.5
16B «77x27»	115.5	44	29.5	103	32	86.5	36	4.5
24B «104x27»	142.5	44	29.5	130	32	113	36	4.5










- Type: STD for standard applications and inserts up to 500V
series: S-D, S-DD, S-E, S-ES, S-EP, S-EE, S-HSB, S-ESHV, S-K, S-M, S-EHV crimp.
- Type: STD-HV for standard applications and inserts up to 830V,
S-EHV series screw terminal and S-HSB for applications over 500V up to 830V.
- Tipo: STD per applicazioni standard ed inserti fino a 500V serie
S-D, S-DD, S-E, S-ES, S-EP, S-EE, S-HSB, S-ESHV, S-K, S-M, S-EHV a crimpare.
- Tipo STD-HV per applicazioni standard ed inserti fino a 830V:
serie S-EHV con terminali a vite e S-HSB per applicazioni oltre 500V fino a 830V.
- IP66 / IP69 protection degree
Grado di protezione IP66 / IP69


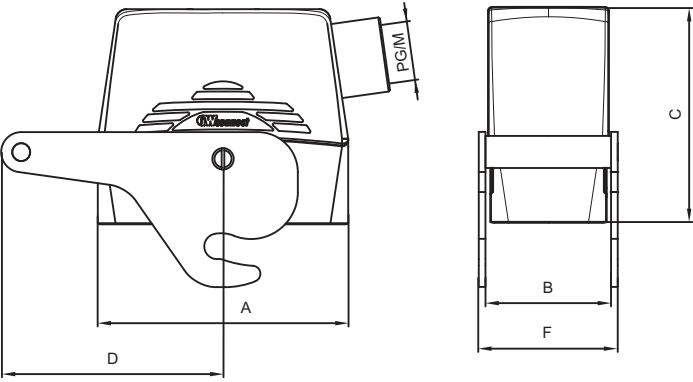
Hoods top entry with one central lever Custodie ingresso verticale con una leva centrale	Size Grandezza	Thread Filettatura	Type STD-HV	Type STD												
			Part No. - Codice	Part No. - Codice												
 <p>HC - High construction HC - Costruzione alta</p>  <table border="1" data-bbox="226 1299 689 1400"> <tr> <th>Thread Filettatura</th> <th>M25</th> <th>M32</th> <th>M40</th> <th>Pg21</th> <th>Pg29</th> </tr> <tr> <td>G</td> <td>15</td> <td>16,5</td> <td>19,5</td> <td>15</td> <td>16,5</td> </tr> </table>	Thread Filettatura	M25	M32	M40	Pg21	Pg29	G	15	16,5	19,5	15	16,5	6B «44x27»	M 25		7806.5280.0
	Thread Filettatura	M25	M32	M40	Pg21	Pg29										
	G	15	16,5	19,5	15	16,5										
	6B «44x27»	M 32		7806.5281.0												
	6B «44x27»	Pg 21		7806.5282.0												
	6B «44x27»	Pg 29		7806.5283.0												
	10B «57x27»	M 32	7810.5285.2	7810.5285.0												
	10B «57x27»	M 40	7810.5286.2	7810.5286.0												
	10B «57x27»	Pg 21	7810.5287.2	7810.5287.0												
	10B «57x27»	Pg 29	7810.5288.2	7810.5288.0												
	16B «77x27»	M 32	7816.5290.2	7816.5290.0												
	16B «77x27»	M 40	7816.5291.2	7816.5291.0												
	16B «77x27»	Pg 21	7816.5292.2	7816.5292.0												
	16B «77x27»	Pg 29	7816.5293.2	7816.5293.0												
	24B «104x27»	M 32	7824.5295.2	7824.5295.0												
	24B «104x27»	M 40	7824.5296.2	7824.5296.0												
	24B «104x27»	Pg 21	7824.5297.2	7824.5297.0												
	24B «104x27»	Pg 29	7824.5298.2	7824.5298.0												

Hoods top entry with one central lever Custodie ingresso verticale con una leva centrale		Size Grandezza	Thread Filettatura	Type STD-HV Part No. - Codice	Type STD Part No. - Codice
 <p>HC - High construction for IP68 cable glands HC - Costruzione alta per pressacavi IP68</p> 		6B «44x27»	M 25		7806.5280.5
		6B «44x27»	M 32		7806.5281.5
		6B «44x27»	Pg 21		7806.5282.5
		6B «44x27»	Pg 29		7806.5283.5
		10B «57x27»	M 32	7810.5285.7	7810.5285.5
		10B «57x27»	M 40	7810.5286.7	7810.5286.5
		10B «57x27»	Pg 21	7810.5287.7	7810.5287.5
		10B «57x27»	Pg 29	7810.5288.7	7810.5288.5
		16B «77x27»	M 32	7816.5290.7	7816.5290.5
		16B «77x27»	M 40	7816.5291.7	7816.5291.5
		16B «77x27»	Pg 21	7816.5292.7	7816.5292.5
		16B «77x27»	Pg 29	7816.5293.7	7816.5293.5
		24B «104x27»	M 32	7824.5295.7	7824.5295.5
		24B «104x27»	M 40	7824.5296.7	7824.5296.5
		24B «104x27»	Pg 21	7824.5297.7	7824.5297.5
		24B «104x27»	Pg 29	7824.5298.7	7824.5298.5





Size Grandezza	A	B	C	D	F
6B «44x27»	60	43.5	75	70	56
10B «57x27»	73.5	43.5	81	70	56
16B «77x27»	94	43.5	81	76	56
24B «104x27»	120.5	43.5	81	87	56


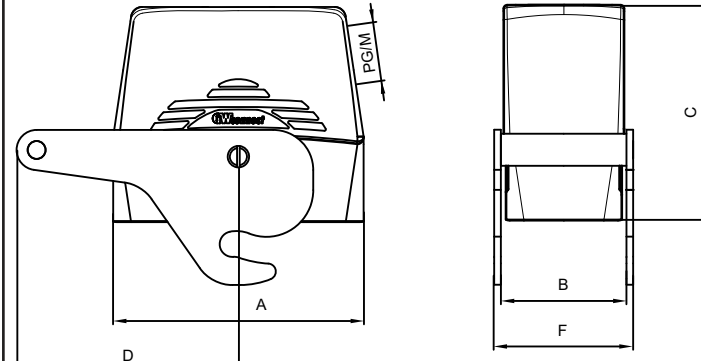
- Type: STD for standard applications and inserts up to 500V series: S-D, S-DD, S-E, S-ES, S-EP, S-EE, S-HSB, S-ESHV, S-K, S-M, S-EHV crimp.
- Type: STD-HV for standard applications and inserts up to 830V, S-EHV series screw terminal and S-HSB for applications over 500V up to 830V.
- Tipo: STD per applicazioni standard ed inserti fino a 500V serie S-D, S-DD, S-E, S-ES, S-EP, S-EE, S-HSB, S-ESHV, S-K, S-M, S-EHV a crimpare.
- Tipo STD-HV per applicazioni standard ed inserti fino a 830V: serie S-EHV con terminali a vite e S-HSB per applicazioni oltre 500V fino a 830V.
- IP66 / IP69 protection degree
Grado di protezione IP66 / IP69
- Recommended type for IP68 cable glands
Tipo raccomandato per pressacavi IP68

Hoods side entry with one central lever <i>Custodie ingresso orizzontale con una leva centrale</i>	Size <i>Grandezza</i>	Thread <i>Filettatura</i>	Type STD-HV	Type STD
			Part No. - Codice	Part No. - Codice
 <p>HC - High construction HC - Costruzione alta</p> 	6B «44x27»	M 25		7806.5299.0
	6B «44x27»	M 32		7806.5300.0
	6B «44x27»	Pg 16		7806.5301.0
	6B «44x27»	Pg 21		7806.5302.0
	6B «44x27»	Pg 29		7806.5303.0
	10B «57x27»	M 25	7810.5304.2	7810.5304.0
	10B «57x27»	M 32	7810.5305.2	7810.5305.0
	10B «57x27»	M 40	7810.5306.2	7810.5306.0
	10B «57x27»	Pg 21	7810.5307.2	7810.5307.0
	10B «57x27»	Pg 29	7810.5308.2	7810.5308.0
	16B «77x27»	M 25	7816.5309.2	7816.5309.0
	16B «77x27»	M 32	7816.5310.2	7816.5310.0
	16B «77x27»	M 40	7816.5311.2	7816.5311.0
	16B «77x27»	Pg 21	7816.5312.2	7816.5312.0
	16B «77x27»	Pg 29	7816.5313.2	7816.5313.0
	24B «104x27»	M 25	7824.5314.2	7824.5314.0
	24B «104x27»	M 32	7824.5315.2	7824.5315.0
	24B «104x27»	M 40	7824.5316.2	7824.5316.0
	24B «104x27»	Pg 21	7824.5317.2	7824.5317.0
	24B «104x27»	Pg 29	7824.5318.2	7824.5318.0





Size <i>Grandezza</i>	A	B	C	D	F
6B «44x27»	60	43.5	75	70	56
10B «57x27»	73.5	43.5	81	70	56
16B «77x27»	94	43.5	81	76	56
24B «104x27»	120.5	43.5	81	87	56


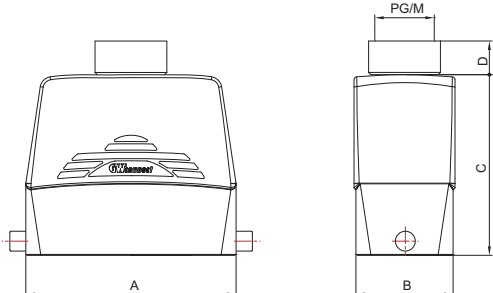
- Type: STD for standard applications and inserts up to 500V series: S-D, S-DD, S-E, S-ES, S-EP, S-EE, S-HSB, S-ESHV, S-K, S-M, S-EHV crimp.
- Type: STD-HV for standard applications and inserts up to 830V, S-EHV series screw terminal and S-HSB for applications over 500V up to 830V.
- Tipo: STD per applicazioni standard ed inserti fino a 500V serie S-D, S-DD, S-E, S-ES, S-EP, S-EE, S-HSB, S-ESHV, S-K, S-M, S-EHV a crimpare.
- Tipo STD-HV per applicazioni standard ed inserti fino a 830V: serie S-EHV con terminali a vite e S-HSB per applicazioni oltre 500V fino a 830V.
- IP66 / IP69 protection degree
Grado di protezione IP66 / IP69
- For IP66 and IP68 cable glands
Per pressacavi IP66 e IP68

Hoods side entry with one central lever Custodie ingresso orizzontale con una leva centrale	Size Grandezza	Thread Filettatura	Type STD-HV	Type STD
			Part No. - Codice	Part No. - Codice
 <p>HC - High Construction for IP68 cable glands HC - Costruzione alta per pressacavi IP68</p> 	6B «44x27»	M 25		7806.5299.5
	6B «44x27»	M 32		7806.5300.5
	6B «44x27»	Pg 16		7806.5301.5
	6B «44x27»	Pg 21		7806.5302.5
	6B «44x27»	Pg 29		7806.5303.5
	10B «57x27»	M 25	7810.5304.7	7810.5304.5
	10B «57x27»	M 32	7810.5305.7	7810.5305.5
	10B «57x27»	M 40	7810.5306.7	7810.5306.5
	10B «57x27»	Pg 21	7810.5307.7	7810.5307.5
	10B «57x27»	Pg 29	7810.5308.7	7810.5308.5
	16B «77x27»	M 25	7816.5309.7	7816.5309.5
	16B «77x27»	M 32	7816.5310.7	7816.5310.5
	16B «77x27»	M 40	7816.5311.7	7816.5311.5
	16B «77x27»	Pg 21	7816.5312.7	7816.5312.5
	16B «77x27»	Pg 29	7816.5313.7	7816.5313.5
	24B «104x27»	M 25	7824.5314.7	7824.5314.5
	24B «104x27»	M 32	7824.5315.7	7824.5315.5
	24B «104x27»	M 40	7824.5316.7	7824.5316.5
	24B «104x27»	Pg 21	7824.5317.7	7824.5317.5
	24B «104x27»	Pg 29	7824.5318.7	7824.5318.5

Size Grandezza	A	B	C	D	F
6B «44x27»	60	43.5	75	70	56
10B «57x27»	73.5	43.5	81	70	56
16B «77x27»	94	43.5	81	76	56
24B «104x27»	120.5	43.5	81	87	56










- Type: STD for standard applications and inserts up to 500V series: S-D, S-DD, S-E, S-ES, S-EP, S-EE, S-HSB, S-ESHV, S-K, S-M, S-EHV crimp.
- Type: STD-HV for standard applications and inserts up to 830V, S-EHV series screw terminal and S-HSB for applications over 500V up to 830V.
- Tipo: STD per applicazioni standard ed inserti fino a 500V serie S-D, S-DD, S-E, S-ES, S-EP, S-EE, S-HSB, S-ESHV, S-K, S-M, S-EHV a crimpare.
- Tipo STD-HV per applicazioni standard ed inserti fino a 830V: serie S-EHV con terminali a vite e S-HSB per applicazioni oltre 500V fino a 830V.
- IP66 / IP69 protection degree
Grado di protezione IP66 / IP69
- Recommended type for IP68 cable glands
Tipo raccomandato per pressacavi IP68


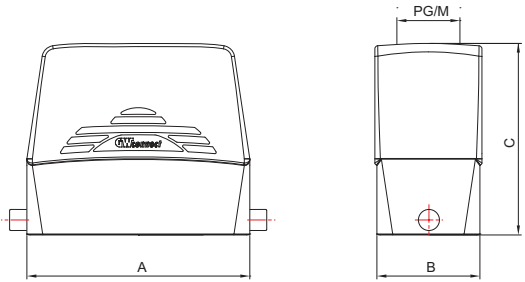
Hoods top entry with 2 pegs for one lever <i>Custodie ingresso verticale con 2 perni per una leva</i>		Size <i>Grandezza</i>	Thread <i>Filettatura</i>	Type STD-HV Part No. - Codice	Type STD Part No. - Codice
 <p>HC - High construction <i>HC - Costruzione alta</i></p> 		10B «57x27»	M 32	7810.6451.2B	7810.6451.0B
		10B «57x27»	M 40	7810.6452.2B	7810.6452.0B
		10B «57x27»	Pg 21	7810.6429.2B	7810.6429.0B
		10B «57x27»	Pg 29	7810.6430.2B	7810.6430.0B
		16B «77x27»	M 32	7816.6453.2B	7816.6453.0B
		16B «77x27»	M 40	7816.6454.2B	7816.6454.0B
		16B «77x27»	Pg 21	7816.6431.2B	7816.6431.0B
		16B «77x27»	Pg 29	7816.6432.2B	7816.6432.0B
		24B «104x27»	M 32	7824.6455.2B	7824.6455.0B
		24B «104x27»	M 40	7824.6456.2B	7824.6456.0B
		24B «104x27»	Pg 21	7824.6433.2B	7824.6433.0B
		24B «104x27»	Pg 29	7824.6434.2B	7824.6434.0B

Thread <i>Filettatura</i>	M25	M32	M40	M50	Pg21	Pg29	Pg36	Pg42
D	13	14,5	17,5	20	13	14,5	17,5	20

Size <i>Grandezza</i>	A	B	C
10B «57x27»	73.5	43.5	80,5
16B «77x27»	94	43.5	80,,5
24B «104x27»	120.5	43.5	80,5


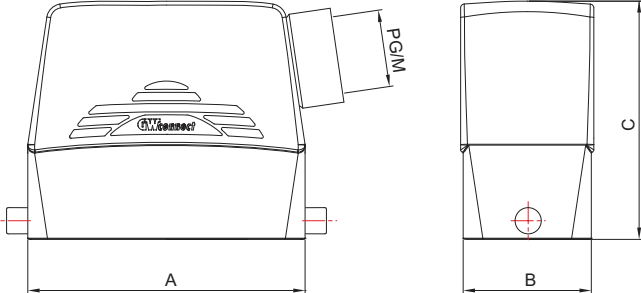







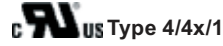

- Type: STD for standard applications and inserts up to 500V/600V (UL)
series: S-D, S-DD, S-E, S-ES, S-EP, S-EE, S-HSB, S-ESHV, S-K, S-M, S-EHV crimp
- Type: STD-HV for standard applications and inserts up to 830V,
S-EHV series screw terminal and S-HSB for applications over 500V up to 830V.
- Tipo: STD per applicazioni standard ed inserti fino a 500V/600V (UL)
S-D, S-DD, S-E, S-ES, S-SP, S-EE, S-HSB, S-ESHV, S-K, S-M, S-EHV crimpare
- Tipo STD-HV per applicazioni standard ed inserti fino a 830V:
serie S-EHV con terminali a vite e S-HSB per applicazioni oltre 500V fino a 830V.
- IP66/IP69 protection degree
Grado di protezione IP66/IP69
- For IP66 and IP68 cable glands
Per pressacavi IP66 e IP68

Hoods top entry with 2 pegs for one lever <i>Custodie ingresso verticale con 2 perni per una leva</i>	Size <i>Grandezza</i>	Thread <i>Filettatura</i>	Type STD-HV	Type STD																
			Part No. - Codice	Part No. - Codice																
 <p>HC - High construction for IP68 cable glands <i>HC - Costruzione alta per pressacavi IP68</i></p>  <table border="1" data-bbox="159 1332 742 1500"> <thead> <tr> <th>Size <i>Grandezza</i></th> <th>A</th> <th>B</th> <th>C</th> </tr> </thead> <tbody> <tr> <td>10B «57x27»</td> <td>73.5</td> <td>43.5</td> <td>75,5</td> </tr> <tr> <td>16B «77x27»</td> <td>94</td> <td>43.5</td> <td>75,5</td> </tr> <tr> <td>24B «104x27»</td> <td>120.5</td> <td>43.5</td> <td>75,5</td> </tr> </tbody> </table>	Size <i>Grandezza</i>	A	B	C	10B «57x27»	73.5	43.5	75,5	16B «77x27»	94	43.5	75,5	24B «104x27»	120.5	43.5	75,5	10B «57x27»	M 32	7810.6451.7B	7810.6451.5B
	Size <i>Grandezza</i>	A	B	C																
	10B «57x27»	73.5	43.5	75,5																
	16B «77x27»	94	43.5	75,5																
	24B «104x27»	120.5	43.5	75,5																
	10B «57x27»	M 40	7810.6452.7B	7810.6452.5B																
	10B «57x27»	Pg 21	7810.6429.7B	7810.6429.5B																
	10B «57x27»	Pg 29	7810.6430.7B	7810.6430.5B																
	16B «77x27»	M 32	7816.6453.7B	7816.6453.5B																
	16B «77x27»	M 40	7816.6454.7B	7816.6454.5B																
	16B «77x27»	Pg 21	7816.6431.7B	7816.6431.5B																
	16B «77x27»	Pg 29	7816.6432.7B	7816.6432.5B																
	24B «104x27»	M 32	7824.6455.7B	7824.6455.5B																
	24B «104x27»	M 40	7824.6456.7B	7824.6456.5B																
	24B «104x27»	Pg 21	7824.6433.7B	7824.6433.5B																
	24B «104x27»	Pg 29	7824.6434.7B	7824.6434.5B																


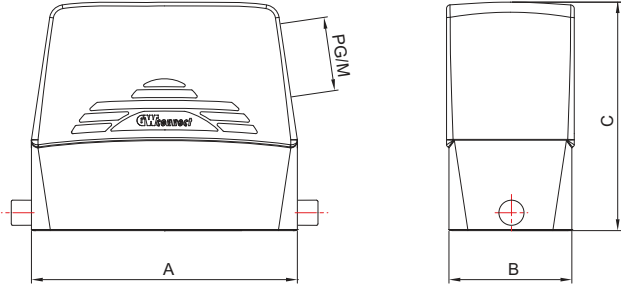


- Type: STD for standard applications and inserts up to 500V/600V (UL) series: S-D, S-DD, S-E, S-ES, S-EP, S-EE, S-HSB, S-ESHV, S-K, S-M, S-EHV crimp
- Type: STD-HV for standard applications and inserts up to 830V, S-EHV series screw terminal and S-HSB for applications over 500V up to 830V.
- Tipo: STD per applicazioni standard ed inserti fino a 500V/600V (UL) S-D, S-DD, S-E, S-ES, S-SP, S-EE, S-HSB, S-ESHV, S-K, S-M, S-EHV crimpare
- Tipo STD-HV per applicazioni standard ed inserti fino a 830V: serie S-EHV con terminali a vite e S-HSB per applicazioni oltre 500V fino a 830V.
- IP66/IP69 protection degree
Grado di protezione IP66/IP69
- Recommended type for IP68 cable glands
Tipo raccomandato per pressacavi IP68

Hoods side entry with 2 pegs for one lever <i>Custodie ingresso orizzontale con 2 perni per una leva</i>	Size <i>Grandezza</i>	Thread <i>Filettatura</i>	Type STD-HV	Type STD																
			Part No. - Codice	Part No. - Codice																
 <p>HC - High construction <i>HC - Costruzione alta</i></p>  <table border="1" data-bbox="167 1288 753 1456"> <thead> <tr> <th>Size <i>Grandezza</i></th> <th>A</th> <th>B</th> <th>C</th> </tr> </thead> <tbody> <tr> <td>10B «57x27»</td> <td>73.5</td> <td>43.5</td> <td>80</td> </tr> <tr> <td>16B «77x27»</td> <td>94</td> <td>43.5</td> <td>80</td> </tr> <tr> <td>24B «104x27»</td> <td>120.5</td> <td>43.5</td> <td>80</td> </tr> </tbody> </table>	Size <i>Grandezza</i>	A	B	C	10B «57x27»	73.5	43.5	80	16B «77x27»	94	43.5	80	24B «104x27»	120.5	43.5	80	10B «57x27»	M 32	7810.6493.2B	7810.6493.0B
	Size <i>Grandezza</i>	A	B	C																
	10B «57x27»	73.5	43.5	80																
	16B «77x27»	94	43.5	80																
	24B «104x27»	120.5	43.5	80																
	10B «57x27»	M 40	7810.6494.2B	7810.6494.0B																
	10B «57x27»	Pg 21	7810.6479.2B	7810.6479.0B																
	10B «57x27»	Pg 29	7810.6480.2B	7810.6480.0B																
	16B «77x27»	M 32	7816.6495.2B	7816.6495.0B																
	16B «77x27»	M 40	7816.6496.2B	7816.6496.0B																
	16B «77x27»	Pg 21	7816.6481.2B	7816.6481.0B																
	16B «77x27»	Pg 29	7816.6482.2B	7816.6482.0B																
	24B «104x27»	M 32	7824.6497.2B	7824.6497.0B																
	24B «104x27»	M 40	7824.6498.2B	7824.6498.0B																
24B «104x27»	Pg 21	7824.6483.2B	7824.6483.0B																	
24B «104x27»	Pg 29	7824.6484.2B	7824.6484.0B																	

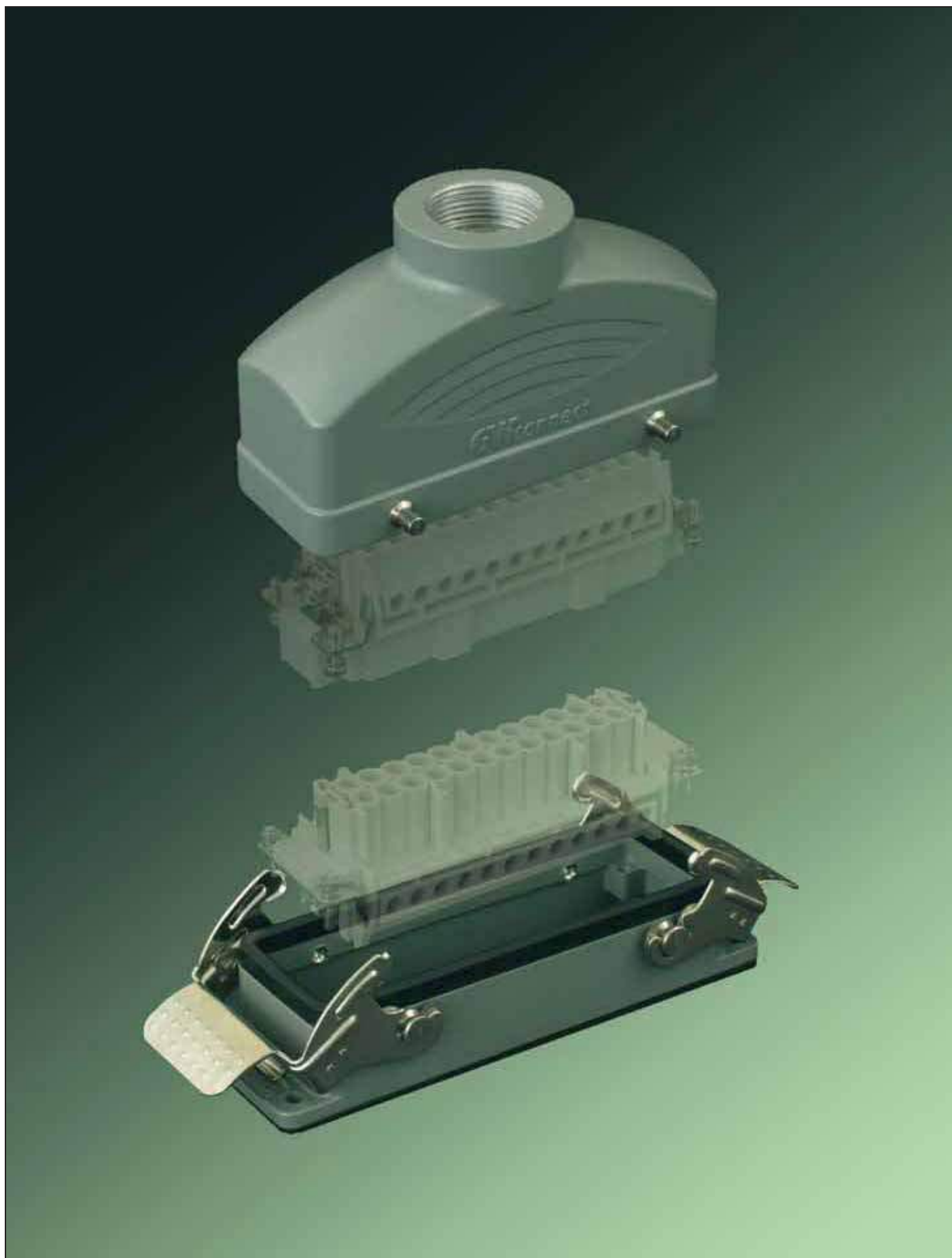






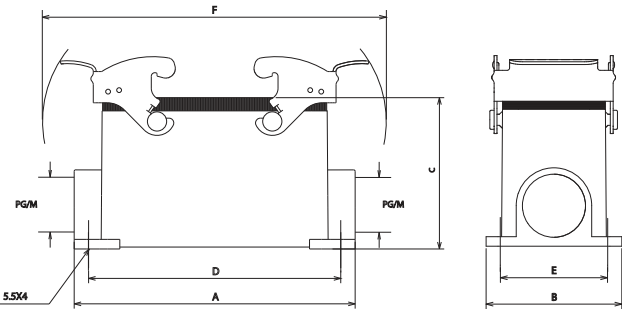
- Type: STD for standard applications and inserts up to 500V/600 (UL) series: S-D, S-DD, S-E, S-ES, S-EP, S-EE, S-HSB, S-ESHV, S-K, S-M, S-EHV crimp
- Type: STD-HV for standard applications and inserts up to 830V, S-EHV series screw terminal and S-HSB for applications over 500V up to 830V.
- Tipo: STD per applicazioni standard ed inserti fino a 500V/600V (UL) S-D, S-DD, S-E, S-ES, S-EP, S-EE, S-HSB, S-ESHV, S-K, S-M, S-EHV crimpare
- Tipo STD-HV per applicazioni standard ed inserti fino a 830V: serie S-EHV con terminali a vite e S-HSB per applicazioni oltre 500V fino a 830V.
- IP66/IP69 protection degree
Grado di protezione IP66/IP69
- For IP66 and IP68 cable glands
Per pressacavi IP66 e IP68

Hoods side entry with 2 pegs for one lever Custodie ingresso orizzontale con 2 perni per una leva	Size Grandezza	Thread Filettatura	Type STD-HV	Type STD																
			Part No. - Codice	Part No. - Codice																
 <p>HC - High Construction for IP68 cable glands HC - Costruzione alta per pressacavi IP68</p>  <table border="1" data-bbox="165 1285 751 1458"> <thead> <tr> <th>Size Grandezza</th> <th>A</th> <th>B</th> <th>C</th> </tr> </thead> <tbody> <tr> <td>10B «57x27»</td> <td>73.5</td> <td>43.5</td> <td>80</td> </tr> <tr> <td>16B «77x27»</td> <td>94</td> <td>43.5</td> <td>80</td> </tr> <tr> <td>24B «104x27»</td> <td>120.5</td> <td>43.5</td> <td>80</td> </tr> </tbody> </table>	Size Grandezza	A	B	C	10B «57x27»	73.5	43.5	80	16B «77x27»	94	43.5	80	24B «104x27»	120.5	43.5	80	10B «57x27»	M 32	7810.6493.7B	7810.6493.5B
	Size Grandezza	A	B	C																
	10B «57x27»	73.5	43.5	80																
	16B «77x27»	94	43.5	80																
	24B «104x27»	120.5	43.5	80																
	10B «57x27»	M 40	7810.6494.7B	7810.6494.5B																
	10B «57x27»	Pg 21	7810.6479.7B	7810.6479.5B																
	10B «57x27»	Pg 29	7810.6480.7B	7810.6480.5B																
	16B «77x27»	M 32	7816.6495.7B	7816.6495.5B																
	16B «77x27»	M 40	7816.6496.7B	7816.6496.5B																
	16B «77x27»	Pg 21	7816.6481.7B	7816.6481.5B																
	16B «77x27»	Pg 29	7816.6482.7B	7816.6482.5B																
	24B «104x27»	M 32	7824.6497.7B	7824.6497.5B																
	24B «104x27»	M 40	7824.6498.7B	7824.6498.5B																
	24B «104x27»	Pg 21	7824.6483.7B	7824.6483.5B																
	24B «104x27»	Pg 29	7824.6484.7B	7824.6484.5B																







- Type: STD for standard applications and inserts up to 500V/600V (UL) series: S-D, S-DD, S-E, S-ES, S-EP, S-EE, S-HSB, S-ESHV, S-K, S-M, S-EHV crimp
- Type: STD-HV for standard applications and inserts up to 830V, S-EHV series screw terminal and S-HSB for applications over 500V up to 830V.
- Tipo: STD per applicazioni standard ed inserti fino a 500/600V (UL) S-D, S-DD, S-E, S-ES, S-EP, S-EE, S-HSB, S-ESHV, S-K, S-M, S-EHV crimpare
- Tipo STD-HV per applicazioni standard ed inserti fino a 830V: serie S-EHV con terminali a vite e S-HSB per applicazioni oltre 500V fino a 830V.
- IP66/IP69 protection degree
Grado di protezione IP66/IP69
- Recommended type for IP68 cable glands
Tipo raccomandato per pressacavi IP68




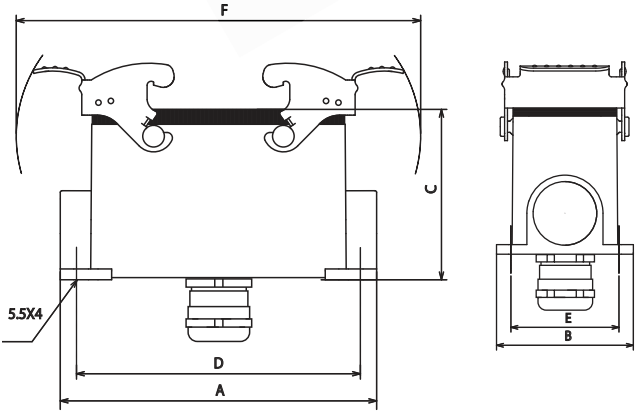
Surface mounting housings Custodie da parete	Size Grandezza	Thread Filettatura	Type STD-HV	Type STD
			Part No. - Codice	Part No. - Codice
 	10B «57x27»	M 20	7810.6372.2	7810.6372.0
	10B «57x27»	M 20X2	7810.6373.2	7810.6373.0
	10B «57x27»	Pg 16	7810.6322.2	7810.6322.0
	10B «57x27»	Pg 16X2	7810.6323.2	7810.6323.0
	16B «77x27»	M 25	7816.6374.2	7816.6374.0
	16B «77x27»	M 25X2	7816.6375.2	7816.6375.0
	16B «77x27»	Pg 21	7816.6324.2	7816.6324.0
	16B «77x27»	Pg 21X2	7816.6325.2	7816.6325.0
	24B «104x27»	M 25	7824.6376.2	7824.6376.0
	24B «104x27»	M 25X2	7824.6377.2	7824.6377.0
	24B «104x27»	Pg 21	7824.6326.2	7824.6326.0
	24B «104x27»	Pg 21X2	7824.6327.2	7824.6327.0
	32B «77x62»	M 40	7832.6384.0	7832.6384.0
	32B «77x62»	M 40X2	7832.6385.0	7832.6385.0
	32B «77x62»	M 50	7832.6378.0	7832.6378.0
	32B «77x62»	M 50X2	7832.6379.0	7832.6379.0
	32B «77x62»	Pg 29	7832.6338.0	7832.6338.0
	32B «77x62»	Pg 29X2	7832.6339.0	7832.6339.0
	32B «77x62»	Pg 36	7832.6328.0	7832.6328.0
	32B «77x62»	Pg 36X2	7832.6329.0	7832.6329.0
32B «77x62»	Pg 42 ◊	7832.6340.0	7832.6340.0	
32B «77x62»	Pg 42X2 ◊	7832.6341.0	7832.6341.0	

Size Grandezza	A	B	C	D	E	F
10B «57x27»	97	57	57	82	40	127
16B «77x27»	117	57	63	105	45	147
24B «104x27»	143.5	57	63	132	45	174
32B «77x62»	125	84.5	87.5	112	67	147





- Type: STD for standard applications and inserts up to 500V series: S-D, S-DD, S-E, S-ES, S-EP, S-ESHV, S-EE, S-HSB, S-K, S-M, S-EHV crimp.
- Type: STD-HV for standard applications and inserts up to 830V, S-EHV series screw terminal and S-HSB for applications over 500V up to 830V.
- Tipo: STD per applicazioni standard ed inserti fino a 500V serie S-D, S-DD, S-E, S-ES, S-EP, S-ESHV, S-EE, S-HSB, S-K, S-M, S-EHV a crimpare.
- Tipo STD-HV per applicazioni standard ed inserti fino a 830V: serie S-EHV con terminali a vite e S-HSB per applicazioni oltre 500V fino a 830V.
- IP66 / IP69 protection degree
Grado di protezione IP66 / IP69
- 1 entry or 2 entries
1 o 2 ingressi

◊ With enlarger Pg 36 / Pg 42
 Con ampliatore Pg36 / Pg 42


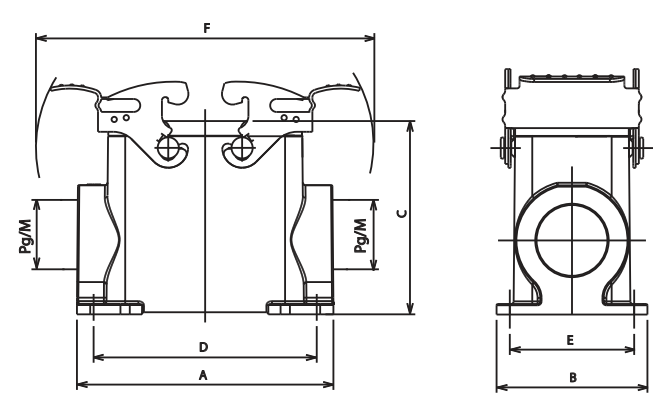
Bottom entry surface mounting housings Custodie da parete con un ingresso sul fondo	Size Grandezza	Thread Filettatura	Type STD-HV Part No. - Codice	Type STD Part No. - Codice
	 	10B «57x27»	M 20	7810.7562.2
10B «57x27»		M 25	7810.7563.2	7810.7563.0
16B «77x27»		M 20	7816.7564.2	7816.7564.0
16B «77x27»		M 25	7816.7565.2	7816.7565.0
24B «104x27»		M 20	7824.7566.2	7824.7566.0
24B «104x27»		M 25	7824.7567.2	7824.7567.0
32B «77x62»		M 32	7832.7568.0	7832.7568.0
32B «77x62»		M 40	7832.7569.0	7832.7569.0
32B «77x62»		M 50	7832.7570.0	7832.7570.0

Size Grandezza	A	B	C	D	E	F
10B «57x27»	97	57	57	82	40	127
16B «77x27»	117	57	63	105	45	147
24B «104x27»	143.5	57	63	132	45	174
32B «77x62»	125	84.5	87.5	112	67	147





Thread - Filettatura	M 20	M 25	M 32	M 40	M 50
Cable dia - dia Cavo	8 - 14	11 - 18	14 - 21	19 - 28	24 - 38


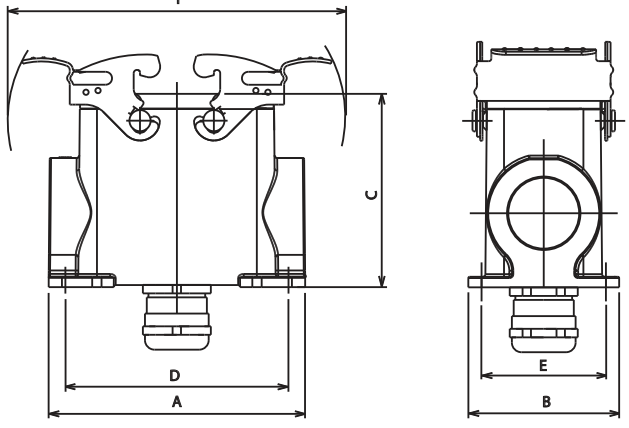
- Type: STD for standard applications and inserts up to 500V series: S-D, S-DD, S-E, S-ES, S-EP, S-ESHV, S-EE, S-HSB, S-K, S-M, S-EHV crimp.
- Type: STD-HV for standard applications and inserts up to 830V, S-EHV series screw terminal and S-HSB for applications over 500V up to 830V.
- Tipo: STD per applicazioni standard ed inserti fino a 500V serie S-D, S-DD, S-E, S-ES, S-EP, S-ESHV, S-EE, S-HSB, S-K, S-M, S-EHV a crimpare.
- Tipo STD-HV per applicazioni standard ed inserti fino a 830V: serie S-EHV con terminali a vite e S-HSB per applicazioni oltre 500V fino a 830V.
- IP66 / IP69 protection degree
Grado di protezione IP66 / IP69
- 1 bottom entry
1 ingresso sul fondo


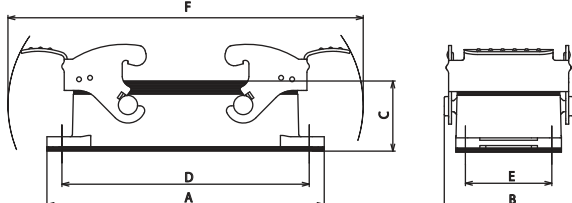
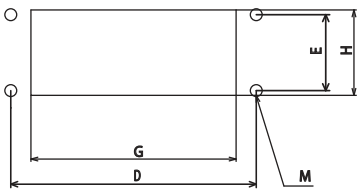




Surface mounting housings Custodie da parete	Size Grandezza	Thread Filettatura	Type STD-HV	Type STD
			Part No. - Codice	Part No. - Codice
 <p>HC - High Construction HC - Costruzione alta</p> 	10B «57x27»	M 25	7810.7458.2	7810.7458.0
	10B «57x27»	M 25X2	7810.7459.2	7810.7459.0
	10B «57x27»	M 32	7810.7460.2	7810.7460.0
	10B «57x27»	M 32X2	7810.7461.2	7810.7461.0
	10B «57x27»	M 40	7810.7462.2	7810.7462.0
	10B «57x27»	M 40X2	7810.7463.2	7810.7463.0
	10B «57x27»	Pg 21	7810.7464.2	7810.7464.0
	10B «57x27»	Pg 21X2	7810.7465.2	7810.7465.0
	10B «57x27»	Pg 29	7810.7466.2	7810.7466.0
	10B «57x27»	Pg 29X2	7810.7467.2	7810.7467.0
	16B «77x27»	M 25X2	7816.7468.2	7816.7468.0
	16B «77x27»	M 32	7816.7469.2	7816.7469.0
	16B «77x27»	M 32X2	7816.7470.2	7816.7470.0
	16B «77x27»	M 40	7816.7471.2	7816.7471.0
	16B «77x27»	M 40X2	7816.7472.2	7816.7472.0
	16B «77x27»	Pg 21	7816.7473.2	7816.7473.0
	16B «77x27»	Pg 21X2	7816.7474.2	7816.7474.0
	16B «77x27»	Pg 29	7816.7475.2	7816.7475.0
	16B «77x27»	Pg 29X2	7816.7476.2	7816.7476.0
	24B «104x27»	M 32	7824.7478.2	7824.7478.0
	24B «104x27»	M 32X2	7824.7479.2	7824.7479.0
	24B «104x27»	M 40	7824.7480.2	7824.7480.0
	24B «104x27»	M 40X2	7824.7481.2	7824.7481.0
	24B «104x27»	Pg 21	7824.7482.2	7824.7482.0
24B «104x27»	Pg 21X2	7824.7483.2	7824.7483.0	
24B «104x27»	Pg 29	7824.7484.2	7824.7484.0	
24B «104x27»	Pg 29X2	7824.7485.2	7824.7485.0	


Size Grandezza	A	B	C	D	E	F
10B «57x27»	97	57	73	82	45	127
16B «77x27»	117	57	77	105	45	147
24B «104x27»	143.5	57	80	132	45	174





- Type: STD for standard applications and inserts up to 500V series: S-D, S-DD, S-E, S-ES, S-EP, S-ESHV, S-EE, S-HSB, S-K, S-M, S-EHV crimp.
- Type: STD-HV for standard applications and inserts up to 830V, S-EHV series screw terminal and S-HSB for applications over 500V up to 830V.
- Tipo: STD per applicazioni standard ed inserti fino a 500V serie S-D, S-DD, S-E, S-ES, S-EP, S-ESHV, S-EE, S-HSB, S-K, S-M, S-EHV a crimpare.
- Tipo STD-HV per applicazioni standard ed inserti fino a 830V: serie S-EHV con terminali a vite e S-HSB per applicazioni oltre 500V fino a 830V.
- IP66 / IP69 protection degree
 Grado di protezione IP66 / IP69
- 1 entry or 2 entries
 1 o 2 ingressi

Bottom entry surface mounting housings Custodie da parete con un ingresso sul fondo	Size Grandezza	Thread Filettatura	Type STD-HV Part No. - Codice	Type STD Part No. - Codice																															
	 <p style="text-align: center;">IP68</p> <p>HC - High Construction HC - Costruzione alta</p>  <table border="1" data-bbox="108 1317 805 1489"> <thead> <tr> <th>Size Grandezza</th> <th>A</th> <th>B</th> <th>C</th> <th>D</th> <th>E</th> <th>F</th> </tr> </thead> <tbody> <tr> <td>10B «57x27»</td> <td>97</td> <td>57</td> <td>73</td> <td>82</td> <td>45</td> <td>127</td> </tr> <tr> <td>16B «77x27»</td> <td>117</td> <td>57</td> <td>77</td> <td>105</td> <td>45</td> <td>147</td> </tr> <tr> <td>24B «104x27»</td> <td>143.5</td> <td>57</td> <td>80</td> <td>132</td> <td>45</td> <td>174</td> </tr> </tbody> </table> <table border="1" data-bbox="236 1512 678 1590"> <thead> <tr> <th>Thread - Filettatura</th> <th>M 25</th> <th>M 32</th> </tr> </thead> <tbody> <tr> <th>Cable dia - dia Cavo</th> <td>11 - 18</td> <td>14 - 21</td> </tr> </tbody> </table>	Size Grandezza	A	B	C	D	E	F	10B «57x27»	97	57	73	82	45	127	16B «77x27»	117	57	77	105	45	147	24B «104x27»	143.5	57	80	132	45	174	Thread - Filettatura	M 25	M 32	Cable dia - dia Cavo	11 - 18	14 - 21
Size Grandezza		A	B	C	D	E	F																												
10B «57x27»		97	57	73	82	45	127																												
16B «77x27»		117	57	77	105	45	147																												
24B «104x27»		143.5	57	80	132	45	174																												
Thread - Filettatura		M 25	M 32																																
Cable dia - dia Cavo	11 - 18	14 - 21																																	


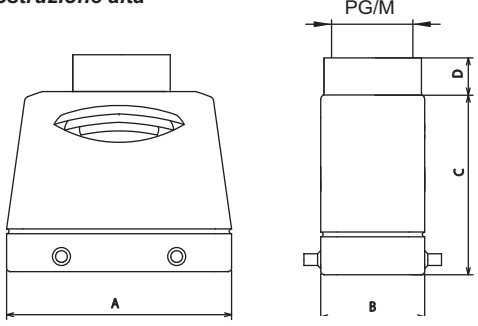
Bulkhead mounting housings Custodie da incasso		Size Grandezza	Type STD-HV Part No. - Codice	Type STD Part No. - Codice																																																		
   Panel cut out Foratura del pannello		10B «57x27»	7810.6412.2	7810.6412.0																																																		
		16B «77x27»	7816.6413.2	7816.6413.0																																																		
		24B «104x27»	7824.6414.2	7824.6414.0																																																		
		32B «77x62»	7832.6415.0	7832.6415.0																																																		
<table border="1"> <thead> <tr> <th>Size Grandezza</th> <th>A</th> <th>B</th> <th>C</th> <th>D</th> <th>E</th> <th>F</th> <th>G</th> <th>H</th> <th>M</th> </tr> </thead> <tbody> <tr> <td>10B «57x27»</td> <td>95.5</td> <td>53.5</td> <td>29.5</td> <td>83</td> <td>32</td> <td>127</td> <td>66.5</td> <td>36</td> <td>4.5</td> </tr> <tr> <td>16B «77x27»</td> <td>115.5</td> <td>53.5</td> <td>29.5</td> <td>103</td> <td>32</td> <td>147</td> <td>86.5</td> <td>36</td> <td>4.5</td> </tr> <tr> <td>24B «104x27»</td> <td>142.5</td> <td>53.5</td> <td>29.5</td> <td>130</td> <td>32</td> <td>174</td> <td>113</td> <td>36</td> <td>4.5</td> </tr> <tr> <td>32B «77x62»</td> <td>124.5</td> <td>105</td> <td>35.5</td> <td>110</td> <td>65</td> <td>147</td> <td>87.5</td> <td>76.5</td> <td>5.5</td> </tr> </tbody> </table>	Size Grandezza	A	B	C	D	E	F	G	H	M	10B «57x27»	95.5	53.5	29.5	83	32	127	66.5	36	4.5	16B «77x27»	115.5	53.5	29.5	103	32	147	86.5	36	4.5	24B «104x27»	142.5	53.5	29.5	130	32	174	113	36	4.5	32B «77x62»	124.5	105	35.5	110	65	147	87.5	76.5	5.5				
Size Grandezza	A	B	C	D	E	F	G	H	M																																													
10B «57x27»	95.5	53.5	29.5	83	32	127	66.5	36	4.5																																													
16B «77x27»	115.5	53.5	29.5	103	32	147	86.5	36	4.5																																													
24B «104x27»	142.5	53.5	29.5	130	32	174	113	36	4.5																																													
32B «77x62»	124.5	105	35.5	110	65	147	87.5	76.5	5.5																																													
<p>     </p> <ul style="list-style-type: none"> - Type: STD for standard applications and inserts up to 500V series: S-D, S-DD, S-E, S-ES, S-EP, S-ESHV, S-EE, S-HSB, S-K, S-M, S-EHV crimp. - Type: STD-HV for standard applications and inserts up to 830V, S-EHV series screw terminal and S-HSB for applications over 500V up to 830V. - Tipo: STD per applicazioni standard ed inserti fino a 500V serie S-D, S-DD, S-E, S-ES, S-EP, S-ESHV, S-EE, S-HSB, S-K, S-M, S-EHV a crimpare. - Tipo STD-HV per applicazioni standard ed inserti fino a 830V: serie S-EHV con terminali a vite e S-HSB per applicazioni oltre 500V fino a 830V. - IP66 / IP69 protection degree Grado di protezione IP66 / IP69 																																																						

Hoods top entry with 4 pegs for two levers Custodie ingresso verticale con 4 perni per due leve	Size Grandezza	Thread Filettatura	Type STD-HV	Type STD
			Part No. - Codice	Part No. - Codice
	10B «57x27»	M 20	7810.6570.2	7810.6570.0
	10B «57x27»	M 25	7810.6595.2	7810.6595.0
	10B «57x27»	Pg 16	7810.6520.2	7810.6520.0
	16B «77x27»	M 25	7816.6572.2	7816.6572.0
	16B «77x27»	M 32	7816.6921.2	7816.6921.0
	16B «77x27»	Pg 21	7816.6522.2	7816.6522.0
	16B «77x27»	Pg 29	7816.6546.2	7816.6546.0
	24B «104x27»	M 25	7824.6574.2	7824.6574.0
	24B «104x27»	M 32	7824.6926.2	7824.6926.0
	24B «104x27»	Pg 21	7824.6524.2	7824.6524.0
	24B «104x27»	Pg 29	7824.6543.2	7824.6543.0

Size Grandezza	A	B	C
10B «57x27»	73.5	43.5	58
16B «77x27»	94	43.5	58
24B «104x27»	120.5	43.5	68





- Type: STD for standard applications and inserts up to 500V series: S-D, S-DD, S-E, S-ES, S-EP, S-ESHV, S-EE, S-HSB, S-K, S-M, S-EHV crimp.
- Type: STD-HV for standard applications and inserts up to 830V, S-EHV series screw terminal and S-HSB for applications over 500V up to 830V.
- Tipo: STD per applicazioni standard ed inserti fino a 500V serie S-D, S-DD, S-E, S-ES, S-EP, S-ESHV, S-EE, S-HSB, S-K, S-M, S-EHV a crimpare.
- Tipo STD-HV per applicazioni standard ed inserti fino a 830V: serie S-EHV con terminali a vite e S-HSB per applicazioni oltre 500V fino a 830V.
- IP66 / IP69 protection degree
Grado di protezione IP66 / IP69
- For IP66 and IP68 cable glands
Per pressacavi IP66 e IP68

Hoods top entry with 4 pegs for two levers <i>Custodie ingresso verticale con 4 perni per due leve</i>	Size <i>Grandezza</i>	Thread <i>Filettatura</i>	Type STD-HV	Type STD
			Part No. - Codice	Part No. - Codice
 <p>HC - High Construction <i>HC - Costruzione alta</i></p> 	10B «57x27»	M 32	7810.6443.2	7810.6443.0
	10B «57x27»	M 40	7810.6444.2	7810.6444.0
	10B «57x27»	Pg 21	7810.6421.2	7810.6421.0
	10B «57x27»	Pg 29	7810.6422.2	7810.6422.0
	16B «77x27»	M 32	7816.6445.2	7816.6445.0
	16B «77x27»	M 40	7816.6446.2	7816.6446.0
	16B «77x27»	Pg 21	7816.6423.2	7816.6423.0
	16B «77x27»	Pg 29	7816.6424.2	7816.6424.0
	24B «104x27»	M 32	7824.6447.2	7824.6447.0
	24B «104x27»	M 40	7824.6448.2	7824.6448.0
	24B «104x27»	Pg 21	7824.6425.2	7824.6425.0
	24B «104x27»	Pg 29	7824.6426.2	7824.6426.0
	32B «77x62»	M 32	7832.6578.0	7832.6578.0
	32B «77x62»	M 40	7832.6579.0	7832.6579.0
	32B «77x62»	M 50	7832.6580.0	7832.6580.0
	32B «77x62»	Pg 29	7832.6528.0	7832.6528.0
	32B «77x62»	Pg 36	7832.6529.0	7832.6529.0
	32B «77x62»	Pg 42	7832.6530.0	7832.6530.0


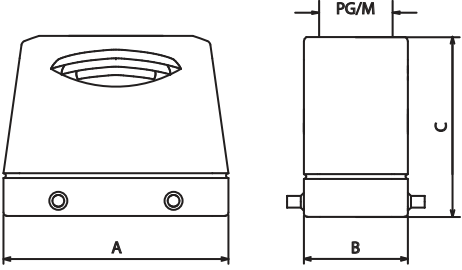
Thread <i>Filettatura</i>	M32	M40	M50	Pg21	Pg29	Pg36	Pg42
D	16,5	19,5	22	15	16,5	19,5	22

Size <i>Grandezza</i>	A	B	C
10B «57x27»	73.5	43.5	*75,5
16B «77x27»	94	43.5	*75,5
24B «104x27»	120.5	43.5	*75,5
32B «77x62»	94	83	89

*For threads M40 and Pg29 C = 81 with hoods LS (Large Shape) type
 *Per filettature M40 e Pg29 C = 81 con custodie tipo LS


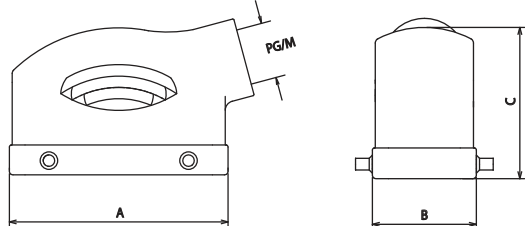
- Type: STD for standard applications and inserts up to 500V series: S-D, S-DD, S-E, S-ES, S-EP, S-ESHV, S-EE, S-HSB, S-K, S-M, S-EHV crimp.
 - Type: STD-HV for standard applications and inserts up to 830V, S-EHV series screw terminal and S-HSB for applications over 500V up to 830V.
 - Tipo: STD per applicazioni standard ed inserti fino a 500V serie S-D, S-DD, S-E, S-ES, S-EP, S-ESHV, S-EE, S-HSB, S-K, S-M, S-EHV a crimpare.
 - Tipo STD-HV per applicazioni standard ed inserti fino a 830V: serie S-EHV con terminali a vite e S-HSB per applicazioni oltre 500V fino a 830V.
 - IP66 / IP69 protection degree
 Grado di protezione IP66 / IP69
 - For IP66 and IP68 cable glands
 Per pressacavi IP66 e IP68

Hoods top entry with 4 pegs for two levers <i>Custodie ingresso verticale con 4 perni per due leve</i>	Size <i>Grandezza</i>	Thread <i>Filettatura</i>	Type STD-HV	Type STD																				
			Part No. - Codice	Part No. - Codice																				
 <p>HC - High Construction for IP68 cable glands <i>HC - Costruzione alta per pressacavi IP68</i></p>  <table border="1" data-bbox="167 1326 750 1534"> <thead> <tr> <th>Size <i>Grandezza</i></th> <th>A</th> <th>B</th> <th>C</th> </tr> </thead> <tbody> <tr> <td>10B «57x27»</td> <td>73.5</td> <td>43.5</td> <td>*75,5</td> </tr> <tr> <td>16B «77x27»</td> <td>94</td> <td>43.5</td> <td>*75,5</td> </tr> <tr> <td>24B «104x27»</td> <td>120.5</td> <td>43.5</td> <td>*75,5</td> </tr> <tr> <td>32B «77x62»</td> <td>94</td> <td>83</td> <td>89</td> </tr> </tbody> </table>	Size <i>Grandezza</i>	A	B	C	10B «57x27»	73.5	43.5	*75,5	16B «77x27»	94	43.5	*75,5	24B «104x27»	120.5	43.5	*75,5	32B «77x62»	94	83	89	10B «57x27»	M 32	7810.6443.7	7810.6443.5
	Size <i>Grandezza</i>	A	B	C																				
	10B «57x27»	73.5	43.5	*75,5																				
	16B «77x27»	94	43.5	*75,5																				
	24B «104x27»	120.5	43.5	*75,5																				
	32B «77x62»	94	83	89																				
	10B «57x27»	M 40	7810.6444.7	7810.6444.5																				
	10B «57x27»	Pg 21	7810.6421.7	7810.6421.5																				
	10B «57x27»	Pg 29	7810.6422.7	7810.6422.5																				
	16B «77x27»	M 32	7816.6445.7	7816.6445.5																				
	16B «77x27»	M 40	7816.6446.7	7816.6446.5																				
	16B «77x27»	Pg 21	7816.6423.7	7816.6423.5																				
	16B «77x27»	Pg 29	7816.6424.7	7816.6424.5																				
	24B «104x27»	M 32	7824.6447.7	7824.6447.5																				
	24B «104x27»	M 40	7824.6448.7	7824.6448.5																				
	24B «104x27»	Pg 21	7824.6425.7	7824.6425.5																				
24B «104x27»	Pg 29	7824.6426.7	7824.6426.5																					
32B «77x62»	M 32	7832.6578.5	7832.6578.5																					
32B «77x62»	M 40	7832.6579.5	7832.6579.5																					
32B «77x62»	M 50	7832.6580.5	7832.6580.5																					
32B «77x62»	Pg 29	7832.6528.5	7832.6528.5																					
32B «77x62»	Pg 36	7832.6529.5	7832.6529.5																					
32B «77x62»	Pg 42	7832.6530.5	7832.6530.5																					

*For threads M40 and Pg29 C = 81 with hoods LS (Large Shape) type
 *Per filettature M40 e Pg29 C = 81 con custodie tipo LS


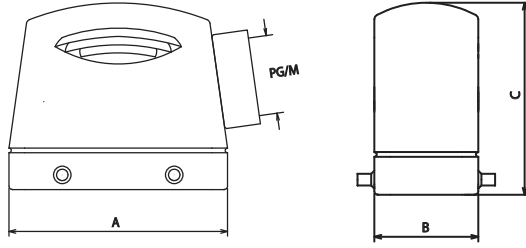


- Type: STD for standard applications and inserts up to 500V series: S-D, S-DD, S-E, S-ES, S-EP, S-ESHV, S-EE, S-HSB, S-K, S-M, S-EHV crimp.
- Type: STD-HV for standard applications and inserts up to 830V, S-EHV series screw terminal and S-HSB for applications over 500V up to 830V.
- Tipo: STD per applicazioni standard ed inserti fino a 500V serie S-D, S-DD, S-E, S-ES, S-EP, S-ESHV, S-EE, S-HSB, S-K, S-M, S-EHV a crimpare.
- Tipo STD-HV per applicazioni standard ed inserti fino a 830V: serie S-EHV con terminali a vite e S-HSB per applicazioni oltre 500V fino a 830V.
- IP66 / IP69 protection degree
Grado di protezione IP66 / IP69
- Recommended type for IP68 cable glands
Tipo raccomandato per pressacavi IP68





Hoods side entry with 4 pegs for two levers Custodie ingresso orizzontale con 4 perni per due leve	Size Grandezza	Thread Filettatura	Type STD-HV	Type STD																
			Part No. - Codice	Part No. - Codice																
  <table border="1" data-bbox="167 1321 750 1489"> <thead> <tr> <th>Size Grandezza</th> <th>A</th> <th>B</th> <th>C</th> </tr> </thead> <tbody> <tr> <td>10B «57x27»</td> <td>73.5</td> <td>43.5</td> <td>52</td> </tr> <tr> <td>16B «77x27»</td> <td>94</td> <td>43.5</td> <td>63</td> </tr> <tr> <td>24B «104x27»</td> <td>120.5</td> <td>43.5</td> <td>63</td> </tr> </tbody> </table>	Size Grandezza	A	B	C	10B «57x27»	73.5	43.5	52	16B «77x27»	94	43.5	63	24B «104x27»	120.5	43.5	63	10B «57x27»	M 20	7810.6569.2	7810.6569.0
	Size Grandezza	A	B	C																
	10B «57x27»	73.5	43.5	52																
	16B «77x27»	94	43.5	63																
	24B «104x27»	120.5	43.5	63																
	10B «57x27»	M 25	7810.6596.2	7810.6596.0																
	10B «57x27»	Pg 16	7810.6519.2	7810.6519.0																
	16B «77x27»	M 25	7816.6571.2	7816.6571.0																
	16B «77x27»	M 32	7816.6922.2	7816.6922.0																
	16B «77x27»	Pg 21	7816.6521.2	7816.6521.0																
	16B «77x27»	Pg 29	7816.6545.2	7816.6545.0																
	24B «104x27»	M 25	7824.6573.2	7824.6573.0																
	24B «104x27»	M 32	7824.6927.2	7824.6927.0																
	24B «104x27»	Pg 21	7824.6523.2	7824.6523.0																
24B «104x27»	Pg 29	7824.6544.2	7824.6544.0																	


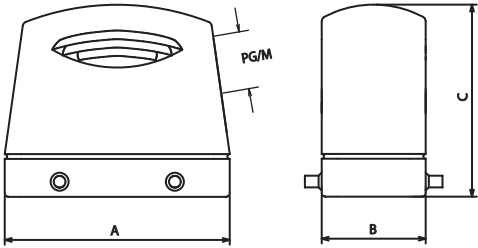


- Type: STD for standard applications and inserts up to 500V series: S-D, S-DD, S-E, S-ES, S-EP, S-ESHV, S-EE, S-HSB, S-K, S-M, S-EHV crimp.
- Type: STD-HV for standard applications and inserts up to 830V, S-EHV series screw terminal and S-HSB for applications over 500V up to 830V.
- Tipo: STD per applicazioni standard ed inserti fino a 500V serie S-D, S-DD, S-E, S-ES, S-EP, S-ESHV, S-EE, S-HSB, S-K, S-M, S-EHV a crimpare.
- Tipo STD-HV per applicazioni standard ed inserti fino a 830V: serie S-EHV con terminali a vite e S-HSB per applicazioni oltre 500V fino a 830V.
- IP66 / IP69 protection degree
Grado di protezione IP66 / IP69
- For IP66 and IP68 cable glands
Per pressacavi IP66 e IP68

Hoods side entry with 4 pegs for two levers <i>Custodie ingresso orizzontale con 4 perni per due leve</i>	Size <i>Grandezza</i>	Thread <i>Filettatura</i>	Type STD-HV	Type STD																				
			Part No. - Codice	Part No. - Codice																				
 <p>HC - High Construction <i>HC - Costruzione alta</i></p>  <table border="1" data-bbox="159 1254 750 1478"> <thead> <tr> <th>Size <i>Grandezza</i></th> <th>A</th> <th>B</th> <th>C</th> </tr> </thead> <tbody> <tr> <td>10B «57x27»</td> <td>73.5</td> <td>43.5</td> <td>*80</td> </tr> <tr> <td>16B «77x27»</td> <td>94</td> <td>43.5</td> <td>*80</td> </tr> <tr> <td>24B «104x27»</td> <td>120.5</td> <td>43.5</td> <td>*80</td> </tr> <tr> <td>32B «77x62»</td> <td>94</td> <td>83</td> <td>94</td> </tr> </tbody> </table>	Size <i>Grandezza</i>	A	B	C	10B «57x27»	73.5	43.5	*80	16B «77x27»	94	43.5	*80	24B «104x27»	120.5	43.5	*80	32B «77x62»	94	83	94	10B «57x27»	M 32	7810.6485.2	7810.6485.0
	Size <i>Grandezza</i>	A	B	C																				
	10B «57x27»	73.5	43.5	*80																				
	16B «77x27»	94	43.5	*80																				
	24B «104x27»	120.5	43.5	*80																				
	32B «77x62»	94	83	94																				
	10B «57x27»	M 40	7810.6486.2	7810.6486.0																				
	10B «57x27»	Pg 21	7810.6471.2	7810.6471.0																				
	10B «57x27»	Pg 29	7810.6472.2	7810.6472.0																				
	16B «77x27»	M 32	7816.6487.2	7816.6487.0																				
	16B «77x27»	M 40	7816.6488.2	7816.6488.0																				
	16B «77x27»	Pg 21	7816.6473.2	7816.6473.0																				
	16B «77x27»	Pg 29	7816.6474.2	7816.6474.0																				
	24B «104x27»	M 32	7824.6489.2	7824.6489.0																				
	24B «104x27»	M 40	7824.6490.2	7824.6490.0																				
	24B «104x27»	Pg 21	7824.6475.2	7824.6475.0																				
	24B «104x27»	Pg 29	7824.6476.2	7824.6476.0																				
	32B «77x62»	M 32	7832.6575.0	7832.6575.0																				
	32B «77x62»	M 40	7832.6576.0	7832.6576.0																				
	32B «77x62»	M 50	7832.6577.0	7832.6577.0																				
32B «77x62»	Pg 21	7832.7142.0	7832.7142.0																					
32B «77x62»	Pg 29	7832.6525.0	7832.6525.0																					
32B «77x62»	Pg 36	7832.6526.0	7832.6526.0																					
32B «77x62»	Pg 42	7832.6527.0	7832.6527.0																					

*For threads M40 and Pg29 C = 81 with hoods LS (Large Shape) type
 *Per filettature M40 e Pg29 C = 81 con custodie tipo LS


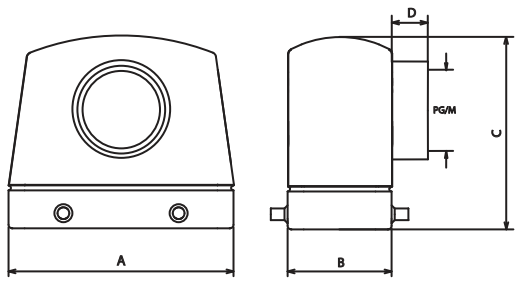

- 



- Type: STD for standard applications and inserts up to 500V series: S-D, S-DD, S-E, S-ES, S-EP, S-ESHV, S-EE, S-HSB, S-K, S-M, S-EHV crimp.
 - Type: STD-HV for standard applications and inserts up to 830V, S-EHV series screw terminal and S-HSB for applications over 500V up to 830V.
 - Tipo: STD per applicazioni standard ed inserti fino a 500V serie S-D, S-DD, S-E, S-ES, S-EP, S-ESHV, S-EE, S-HSB, S-K, S-M, S-EHV a crimpare.
 - Tipo STD-HV per applicazioni standard ed inserti fino a 830V: serie S-EHV con terminali a vite e S-HSB per applicazioni oltre 500V fino a 830V.
 - IP66 / IP69 protection degree
Grado di protezione IP66 / IP69
 - For IP66 and IP68 cable glands
Per pressacavi IP66 e IP68


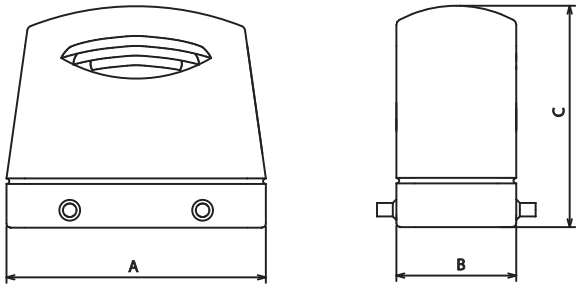
Hoods side entry with 4 pegs for two levers <i>Custodie ingresso orizzontale con 4 perni per due leve</i>	Size <i>Grandezza</i>	Thread <i>Filettatura</i>	Type STD-HV	Type STD																				
			Part No. - Codice	Part No. - Codice																				
 <p>HC - High Construction for IP68 cable glands HC - Costruzione alta per pressacavi IP68</p>  <table border="1" data-bbox="167 1265 753 1473"> <thead> <tr> <th>Size <i>Grandezza</i></th> <th>A</th> <th>B</th> <th>C</th> </tr> </thead> <tbody> <tr> <td>10B «57x27»</td> <td>73.5</td> <td>43.5</td> <td>*80</td> </tr> <tr> <td>16B «77x27»</td> <td>94</td> <td>43.5</td> <td>*80</td> </tr> <tr> <td>24B «104x27»</td> <td>120.5</td> <td>43.5</td> <td>*80</td> </tr> <tr> <td>32B «77x62»</td> <td>94</td> <td>83</td> <td>94</td> </tr> </tbody> </table>	Size <i>Grandezza</i>	A	B	C	10B «57x27»	73.5	43.5	*80	16B «77x27»	94	43.5	*80	24B «104x27»	120.5	43.5	*80	32B «77x62»	94	83	94	10B «57x27»	M 32	7810.6485.7	7810.6485.5
	Size <i>Grandezza</i>	A	B	C																				
	10B «57x27»	73.5	43.5	*80																				
	16B «77x27»	94	43.5	*80																				
	24B «104x27»	120.5	43.5	*80																				
	32B «77x62»	94	83	94																				
	10B «57x27»	M 40	7810.6486.7	7810.6486.5																				
	10B «57x27»	Pg 21	7810.6471.7	7810.6471.5																				
	10B «57x27»	Pg 29	7810.6472.7	7810.6472.5																				
	16B «77x27»	M 32	7816.6487.7	7816.6487.5																				
	16B «77x27»	M 40	7816.6488.7	7816.6488.5																				
	16B «77x27»	Pg 21	7816.6473.7	7816.6473.5																				
	16B «77x27»	Pg 29	7816.6474.7	7816.6474.5																				
	24B «104x27»	M 32	7824.6489.7	7824.6489.5																				
	24B «104x27»	M 40	7824.6490.7	7824.6490.5																				
	24B «104x27»	Pg 21	7824.6475.7	7824.6475.5																				
24B «104x27»	Pg 29	7824.6476.7	7824.6476.5																					
32B «77x62»	M 32	7832.6575.5	7832.6575.5																					
32B «77x62»	M 40	7832.6576.5	7832.6576.5																					
32B «77x62»	M 50	7832.6577.5	7832.6577.5																					
32B «77x62»	Pg 21	7832.7142.5	7832.7142.5																					
32B «77x62»	Pg 29	7832.6525.5	7832.6525.5																					
32B «77x62»	Pg 36	7832.6526.5	7832.6526.5																					
32B «77x62»	Pg 42	7832.6527.5	7832.6527.5																					

*For threads M40 and Pg29 C = 81 with hoods LS (Large Shape) type
 *Per filettature M40 e Pg29 C = 81 con custodie tipo LS




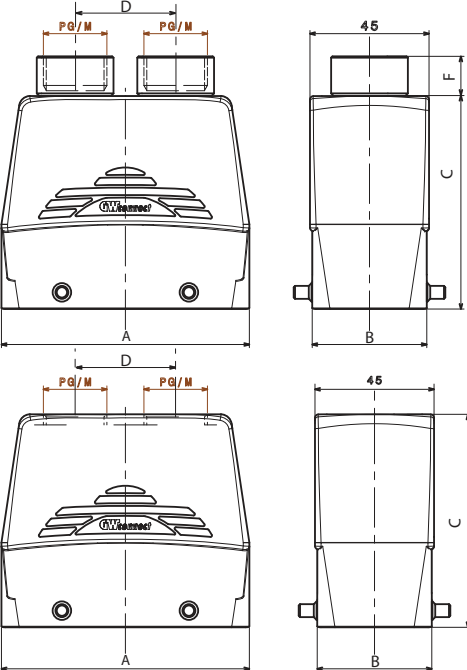
- Type: STD for standard applications and inserts up to 500V series: S-D, S-DD, S-E, S-ES, S-EP, S-ESHV, S-EE, S-HSB, S-K, S-M, S-EHV crimp.
- Type: STD-HV for standard applications and inserts up to 830V, S-EHV series screw terminal and S-HSB for applications over 500V up to 830V.
- Tipo: STD per applicazioni standard ed inserti fino a 500V serie S-D, S-DD, S-E, S-ES, S-EP, S-ESHV, S-EE, S-HSB, S-K, S-M, S-EHV a crimpare.
- Tipo STD-HV per applicazioni standard ed inserti fino a 830V: serie S-EHV con terminali a vite e S-HSB per applicazioni oltre 500V fino a 830V.
- IP66 / IP69 protection degree
Grado di protezione IP66 / IP69
- Recommended type for IP68 cable glands
Tipo raccomandato per pressacavi IP68

Hoods frontal entry with 4 pegs for two levers Custodie ingresso frontale con 4 perni per due leve	Size Grandezza	Thread Filettatura	Type STD-HV	Type STD																														
			Part No. - Codice	Part No. - Codice																														
	10B «57x27»	M 20	7810.7011.2	7810.7011.0																														
	10B «57x27»	Pg 16	7810.7109.2	7810.7109.0																														
	16B «77x27»	M 25	7816.7021.2	7816.7021.0																														
	16B «77x27»	Pg 21	7816.7113.2	7816.7113.0																														
	24B «104x27»	M 25	7824.7032.2	7824.7032.0																														
	24B «104x27»	M 32	7824.7033.2	7824.7033.0																														
	24B «104x27»	Pg 21	7824.7120.2	7824.7120.0																														
	24B «104x27»	Pg 29	7824.7121.2	7824.7121.0																														
<p>HC - High Construction HC - Costruzione alta</p>  <table border="1" data-bbox="167 1310 758 1478"> <thead> <tr> <th>Size Grandezza</th> <th>A</th> <th>B</th> <th>C</th> </tr> </thead> <tbody> <tr> <td>10B «57x27»</td> <td>73.5</td> <td>43.5</td> <td>80</td> </tr> <tr> <td>16B «77x27»</td> <td>94</td> <td>43.5</td> <td>80</td> </tr> <tr> <td>24B «104x27»</td> <td>120.5</td> <td>43.5</td> <td>80</td> </tr> </tbody> </table> <table border="1" data-bbox="103 1500 805 1601"> <thead> <tr> <th>Thread Filettatura</th> <th>M20</th> <th>M25</th> <th>M32</th> <th>Pg16</th> <th>Pg21</th> <th>Pg29</th> </tr> </thead> <tbody> <tr> <td>D</td> <td>14</td> <td>15</td> <td>16,5</td> <td>14</td> <td>15</td> <td>16,5</td> </tr> </tbody> </table>					Size Grandezza	A	B	C	10B «57x27»	73.5	43.5	80	16B «77x27»	94	43.5	80	24B «104x27»	120.5	43.5	80	Thread Filettatura	M20	M25	M32	Pg16	Pg21	Pg29	D	14	15	16,5	14	15	16,5
Size Grandezza	A	B	C																															
10B «57x27»	73.5	43.5	80																															
16B «77x27»	94	43.5	80																															
24B «104x27»	120.5	43.5	80																															
Thread Filettatura	M20	M25	M32	Pg16	Pg21	Pg29																												
D	14	15	16,5	14	15	16,5																												
<p>  </p> <ul style="list-style-type: none"> - Type: STD for standard applications and inserts up to 500V series: S-D, S-DD, S-E, S-ES, S-EP, S-ESHV, S-EE, S-HSB, S-K, S-M, S-EHV crimp. - Type: STD-HV for standard applications and inserts up to 830V, S-EHV series screw terminal and S-HSB for applications over 500V up to 830V. - Tipo: STD per applicazioni standard ed inserti fino a 500V serie S-D, S-DD, S-E, S-ES, S-EP, S-ESHV, S-EE, S-HSB, S-K, S-M, S-EHV a crimpare. - Tipo STD-HV per applicazioni standard ed inserti fino a 830V: serie S-EHV con terminali a vite e S-HSB per applicazioni oltre 500V fino a 830V. - IP66 / IP69 protection degree Grado di protezione IP66 / IP69 - For IP66 and IP68 cable glands Per pressacavi IP66 e IP68 																																		

Hoods without cable entry with 4 pegs for two levers Custodie senza ingresso cavo con 4 perni per due leve	Size Grandezza	Type STD-HV Part No. - Codice	Type STD Part No. - Codice																				
	 <p>HC - High Construction HC - Costruzione alta</p>  <table border="1" data-bbox="242 1308 828 1518"> <thead> <tr> <th>Size Grandezza</th> <th>A</th> <th>B</th> <th>C</th> </tr> </thead> <tbody> <tr> <td>10B «57x27»</td> <td>73.5</td> <td>43.5</td> <td>80</td> </tr> <tr> <td>16B «77x27»</td> <td>94</td> <td>43.5</td> <td>80</td> </tr> <tr> <td>24B «104x27»</td> <td>120.5</td> <td>43.5</td> <td>80</td> </tr> <tr> <td>32B «77x62»</td> <td>94</td> <td>83</td> <td>94</td> </tr> </tbody> </table>	Size Grandezza	A	B	C	10B «57x27»	73.5	43.5	80	16B «77x27»	94	43.5	80	24B «104x27»	120.5	43.5	80	32B «77x62»	94	83	94	10B «57x27»	7810.7012.2
Size Grandezza		A	B	C																			
10B «57x27»		73.5	43.5	80																			
16B «77x27»		94	43.5	80																			
24B «104x27»	120.5	43.5	80																				
32B «77x62»	94	83	94																				
16B «77x27»	7816.7022.2	7816.7022.0																					
24B «104x27»	7824.7034.2	7824.7034.0																					
32B «77x27»	7832.7048.0	7832.7048.0																					

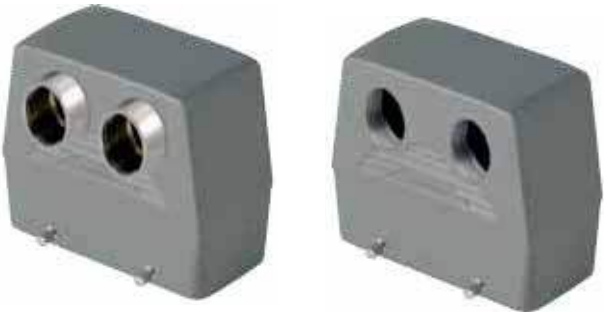
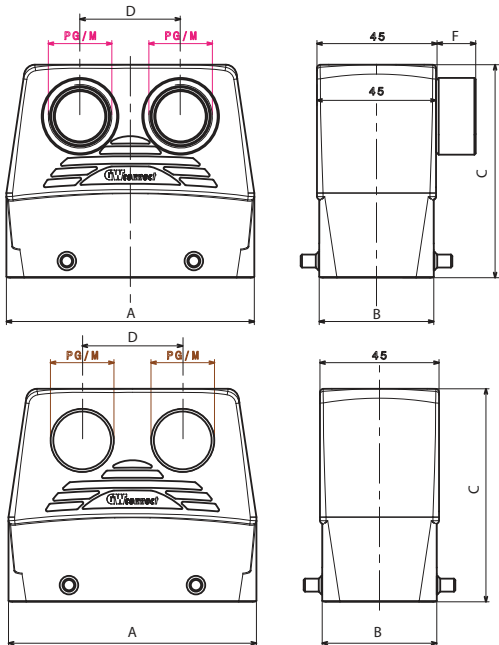
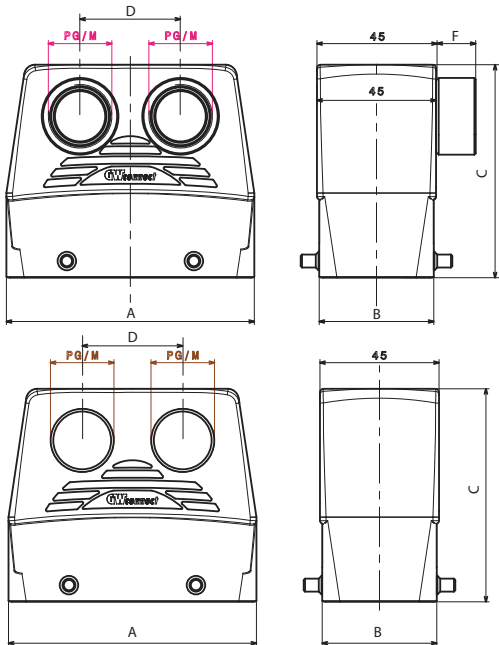




- Type: STD for standard applications and inserts up to 500V series: S-D, S-DD, S-E, S-ES, S-EP, S-ESHV, S-EE, S-HSB, S-K, S-M, S-EHV crimp.
- Type: STD-HV for standard applications and inserts up to 830V, S-EHV series screw terminal and S-HSB for applications over 500V up to 830V.
- Tipo: STD per applicazioni standard ed inserti fino a 500V serie S-D, S-DD, S-E, S-ES, S-ESHV, S-EE, S-HSB, S-K, S-M, S-EHV con contatti .
- Tipo STD-HV per applicazioni standard ed inserti fino a 830V: serie S-EHV con terminali a vite e S-HSB per applicazioni oltre 500V fino a 830V.
- IP66 / IP69 protection degree
Grado di protezione IP66 / IP69

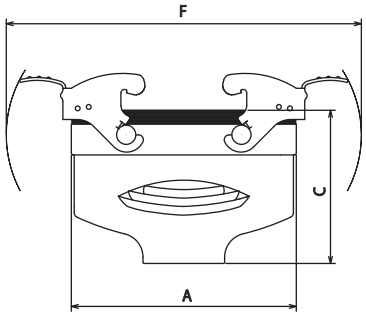
Hoods with double top entry with 4 pegs for two levers Custodie con doppio ingresso verticale con 4 perni per due leve	Size Grandezza	Thread Filettatura	Type STD-HV	Type STD																																					
			Part No. - Codice	Part No. - Codice																																					
 <p>HC - High Construction HC - Costruzione alta</p>  <table border="1" data-bbox="619 772 794 1131"> <thead> <tr> <th>Thread Filettatura</th> <th>F</th> </tr> </thead> <tbody> <tr><td>M20</td><td>14</td></tr> <tr><td>M25</td><td>15</td></tr> <tr><td>M32</td><td>16,5</td></tr> <tr><td>M40</td><td>19,5</td></tr> <tr><td>Pg13,5</td><td>14</td></tr> <tr><td>Pg16</td><td>14</td></tr> <tr><td>Pg21</td><td>15</td></tr> <tr><td>Pg29</td><td>16,5</td></tr> </tbody> </table> <table border="1" data-bbox="167 1438 753 1612"> <thead> <tr> <th>Size Grandezza</th> <th>A</th> <th>B</th> <th>C</th> <th>D</th> </tr> </thead> <tbody> <tr> <td>10B «57x27»</td> <td>73.5</td> <td>43.5</td> <td>81</td> <td>24</td> </tr> <tr> <td>16B «77x27»</td> <td>94</td> <td>43.5</td> <td>81</td> <td>38</td> </tr> <tr> <td>24B «104x27»</td> <td>120.5</td> <td>43.5</td> <td>81</td> <td>53</td> </tr> </tbody> </table>	Thread Filettatura	F	M20	14	M25	15	M32	16,5	M40	19,5	Pg13,5	14	Pg16	14	Pg21	15	Pg29	16,5	Size Grandezza	A	B	C	D	10B «57x27»	73.5	43.5	81	24	16B «77x27»	94	43.5	81	38	24B «104x27»	120.5	43.5	81	53	10B «57x27» M 20x2 10B «57x27» Pg13,5x2 16B «77x27» M 20x2 16B «77x27» M 25x2 16B «77x27» Pg 16x2 16B «77x27» Pg 21x2 24B «104x27» M 32x2 24B «104x27» M 40x2 24B «104x27» Pg 21x2 24B «104x27» Pg 29x2	7810.6610.2 7810.6612.2 7816.6618.2 7816.6619.2 7816.6621.2 7816.6622.2 7824.6625.2 7824.6626.2 7824.6627.2 7824.6628.2	With threaded fitting Con canotto filettato 7810.6610.0 7810.6612.0 7816.6618.0 7816.6619.0 7816.6621.0 7816.6622.0 7824.6625.0 7824.6626.0 7824.6627.0 7824.6628.0
	Thread Filettatura	F																																							
	M20	14																																							
	M25	15																																							
	M32	16,5																																							
	M40	19,5																																							
	Pg13,5	14																																							
	Pg16	14																																							
	Pg21	15																																							
	Pg29	16,5																																							
	Size Grandezza	A	B	C	D																																				
	10B «57x27»	73.5	43.5	81	24																																				
	16B «77x27»	94	43.5	81	38																																				
	24B «104x27»	120.5	43.5	81	53																																				
					Without threaded fitting Senza canotto filettato																																				
		10B «57x27» M 20x2	7810.6610.7	7810.6610.5																																					
		10B «57x27» Pg13,5x2	7810.6612.7	7810.6612.5																																					
		16B «77x27» M 20x2	7816.6618.7	7816.6618.5																																					
		16B «77x27» M 25x2	7816.6619.7	7816.6619.5																																					
		16B «77x27» Pg16x2	7816.6621.7	7816.6621.5																																					
		16B «77x27» Pg 21x2	7816.6622.7	7816.6622.5																																					
		24B «104x27» M 32x2	7824.6625.7	7824.6625.5																																					
		24B «104x27» M 40x2	7824.6626.7	7824.6626.5																																					
		24B «104x27» Pg21x2	7824.6627.7	7824.6627.5																																					
	24B «104x27» Pg 29x2	7824.6628.7	7824.6628.5																																						

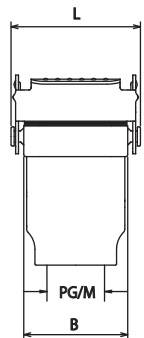


- Type: STD for standard applications and inserts up to 500V series: S-D, S-DD, S-E, S-ES, S-EP, S-ESHV, S-EE, S-HSB, S-K, S-M, S-EHV crimp.
- Type: STD-HV for standard applications and inserts up to 830V, S-EHV series screw terminal and S-HSB for applications over 500V up to 830V.
- Tipo: STD per applicazioni standard ed inserti fino a 500V serie S-D, S-DD, S-E, S-ES, S-EP, S-ESHV, S-EE, S-HSB, S-K, S-M, S-EHV a crimpare.
- Tipo STD-HV per applicazioni standard ed inserti fino a 830V: serie S-EHV con terminali a vite e S-HSB per applicazioni oltre 500V fino a 830V.
- IP66 / IP69 protection degree
 Grado di protezione IP66 / IP69
- For IP66 and IP68 cable glands, Without threaded fitting with IP68 cable gland only
 Per pressacavi IP66 e IP68. Senza canotto filettato solo con pressacavi IP68



Hoods with double frontal entry with 4 pegs for two levers Custodie con doppio ingresso orizzontale con 4 perni per due leve	Size Grandezza	Thread Filettatura	Type STD-HV	Type STD															
			Part No. - Codice	Part No. - Codice															
 <p>HC - High Construction HC - Costruzione alta</p>  <table border="1" data-bbox="625 779 801 922"> <tr> <th>Thread Filettatura</th> <th>F</th> </tr> <tr> <td>M25</td> <td>15</td> </tr> <tr> <td>Pg21</td> <td>15</td> </tr> </table>	Thread Filettatura	F	M25	15	Pg21	15	16B «77x27»	M 25x2	7816.6615.2	7816.6615.0									
	Thread Filettatura	F																	
	M25	15																	
	Pg21	15																	
16B «77x27»	Pg 21x2	7816.6616.2	7816.6616.0																
24B «104x27»	M 25x2	7824.6630.2	7824.6630.0																
24B «104x27»	Pg 21x2	7824.6632.2	7824.6632.0																
	16B «77x27»	M 25x2	7816.6615.7	7816.6615.5															
	16B «77x27»	Pg 21x2	7816.6616.7	7816.6616.5															
	24B «104x27»	M 25x2	7824.6630.7	7824.6630.5															
	24B «104x27»	Pg 21x2	7824.6632.7	7824.6632.5															
<table border="1" data-bbox="105 1415 813 1554"> <thead> <tr> <th>Size Grandezza</th> <th>A</th> <th>B</th> <th>C</th> <th>D</th> </tr> </thead> <tbody> <tr> <td>16B «77x27»</td> <td>94</td> <td>43.5</td> <td>81</td> <td>38</td> </tr> <tr> <td>24B «104x27»</td> <td>120.5</td> <td>43.5</td> <td>81</td> <td>53</td> </tr> </tbody> </table>	Size Grandezza	A	B	C	D	16B «77x27»	94	43.5	81	38	24B «104x27»	120.5	43.5	81	53				
Size Grandezza	A	B	C	D															
16B «77x27»	94	43.5	81	38															
24B «104x27»	120.5	43.5	81	53															
<p>  </p> <ul style="list-style-type: none"> - Type: STD for standard applications and inserts up to 500V series: S-D, S-DD, S-E, S-ES, S-EP, S-ESHV, S-EE, S-HSB, S-K, S-M, S-EHV crimp. - Type: STD-HV for standard applications and inserts up to 830V, S-EHV series screw terminal and S-HSB for applications over 500V up to 830V. - Tipo: STD per applicazioni standard ed inserti fino a 500V serie S-D, S-DD, S-E, S-ES, S-EP, S-ESHV, S-EE, S-HSB, S-K, S-M, S-EHV a crimpare. - Tipo STD-HV per applicazioni standard ed inserti fino a 830V: serie S-EHV con terminali a vite e S-HSB per applicazioni oltre 500V fino a 830V. - IP66 / IP69 protection degree Grado di protezione IP66 / IP69 - For IP66 and IP68 cable glands, Without threaded fitting with IP68 cable gland only Per pressacavi IP66 e IP68. Senza canotto filettato solo con pressacavi IP68 																			


Hoods top entry with two levers and gasket Custodie ingresso verticale con due leve e guarnizione	Size Grandezza	Thread Filettatura	Type STD-HV Part No. - Codice	Type STD Part No. - Codice
		10B «57x27»	M 20	7810.6598.2
10B «57x27»		M 25	7810.6586.2	7810.6586.0
10B «57x27»		Pg 16	7810.6536.2	7810.6536.0
16B «77x27»		M 25	7816.6587.2	7816.6587.0
16B «77x27»		M 32	7816.6923.2	7816.6923.0
16B «77x27»		Pg 21	7816.6537.2	7816.6537.0
24B «104x27»		M 32	7824.6588.2	7824.6588.0
24B «104x27»		Pg 21	7824.6538.2	7824.6538.0
24B «104x27»		Pg 29	7824.7146.2	7824.7146.0







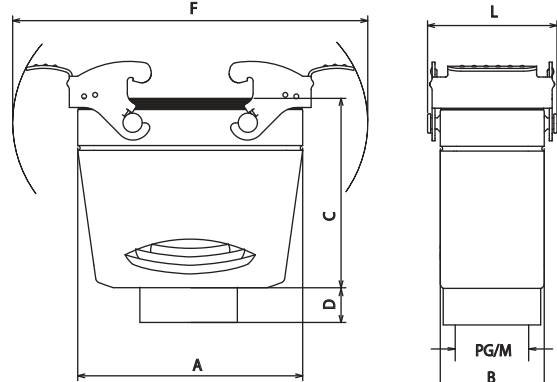
Size Grandezza	A	B	C	F	L
10B «57x27»	73.5	43.5	64	127	54
16B «77x27»	94	43.5	64	147	54
24B «104x27»	120.5	43.5	74	174	54










- Type: STD for standard applications and inserts up to 500V series: S-D, S-DD, S-E, S-ES, S-EP, S-ESHV, S-EE, S-HSB, S-K, S-M, S-EHV crimp.
- Type: STD-HV for standard applications and inserts up to 830V, S-EHV series screw terminal and S-HSB for applications over 500V up to 830V.
- Tipo: STD per applicazioni standard ed inserti fino a 500V serie S-D, S-DD, S-E, S-ES, S-EP, S-ESHV, S-EE, S-HSB, S-K, S-M, S-EHV a crimpare.
- Tipo STD-HV per applicazioni standard ed inserti fino a 830V: serie S-EHV con terminali a vite e S-HSB per applicazioni oltre 500V fino a 830V.
- IP66 / IP69 protection degree
Grado di protezione IP66 / IP69
- For IP66 and IP68 cable glands
Per pressacavi IP66 e IP68


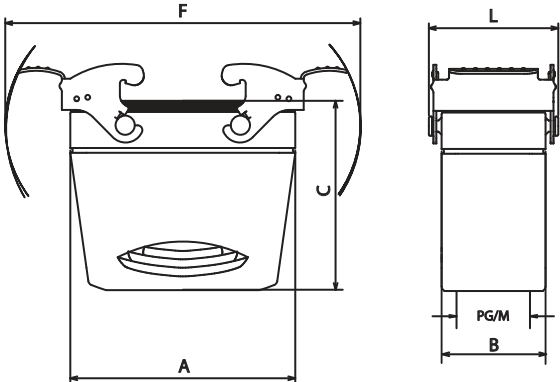
Hoods top entry with two levers and gasket Custodie ingresso verticale con due leve e guarnizione	Size Grandezza	Thread Filettatura	Type STD-HV	Type STD
			Part No. - Codice	Part No. - Codice
 <p>HC - High Construction HC - Costruzione alta</p> 	10B «57x27»	M 25	7810.7003.2	7810.7003.0
	10B «57x27»	M 32	7810.7004.2	7810.7004.0
	10B «57x27»	Pg 21	7810.7104.2	7810.7104.0
	10B «57x27»	Pg 29	7810.7105.2	7810.7105.0
	16B «77x27»	M 25	7816.6457.2	7816.6457.0
	16B «77x27»	M 32	7816.6458.2	7816.6458.0
	16B «77x27»	Pg 21	7816.6435.2	7816.6435.0
	16B «77x27»	Pg 29	7816.6436.2	7816.6436.0
	24B «104x27»	M 25	7824.6459.2	7824.6459.0
	24B «104x27»	M 32	7824.6460.2	7824.6460.0
	24B «104x27»	Pg 21	7824.6437.2	7824.6437.0
	24B «104x27»	Pg 29	7824.6438.2	7824.6438.0
	32B «77x62»	M 32	7832.6589.0	7832.6589.0
	32B «77x62»	M 40	7832.6590.0	7832.6590.0
	32B «77x62»	M 50	7832.6591.0	7832.6591.0
	32B «77x62»	Pg 29	7832.6539.0	7832.6539.0
32B «77x62»	Pg 36	7832.6540.0	7832.6540.0	
32B «77x62»	Pg 42	7832.6541.0	7832.6541.0	

Size Grandezza	A	B	C	F	L
10B «57x27»	73.5	43.5	81	127	54
16B «77x27»	94	43.5	81,5	147	54
24B «104x27»	120.5	43.5	81,5	174	54
32B «77x62»	94	83	95	147	93.5


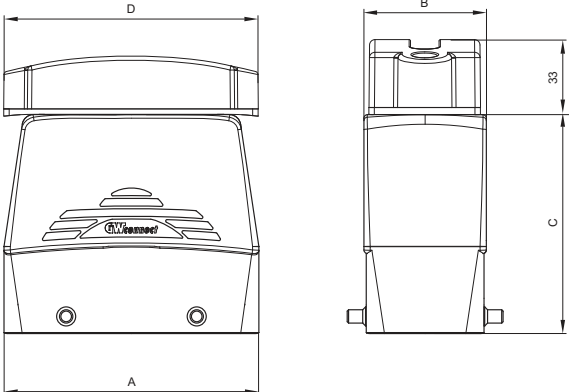
Thread Filettatura	M25	M32	M40	M50	Pg21	Pg29	Pg36	Pg42
D	15	16,5	19,5	22	15	16,5	19,5	22

- Type: STD for standard applications and inserts up to 500V series: S-D, S-DD, S-E, S-ES, S-EP, S-ESHV, S-EE, S-HSB, S-K, S-M, S-EHV crimp.
- Type: STD-HV for standard applications and inserts up to 830V, S-EHV series screw terminal and S-HSB for applications over 500V up to 830V.
- Tipo: STD per applicazioni standard ed inserti fino a 500V serie S-D, S-DD, S-E, S-ES, S-EP, S-ESHV, S-EE, S-HSB, S-K, S-M, S-EHV a crimpare.
- Tipo STD-HV per applicazioni standard ed inserti fino a 830V: serie S-EHV con terminali a vite e S-HSB per applicazioni oltre 500V fino a 830V.
- IP66 / IP69 protection degree
 Grado di protezione IP66 / IP69
- For IP66 and IP68 cable glands
 Per pressacavi IP66 e IP68

Hoods top entry with two levers and gasket Custodie ingresso verticale con due leve e guarnizione	Size Grandezza	Thread Filettatura	Type STD-HV	Type STD																														
			Part No. - Codice	Part No. - Codice																														
 <p>HC - High Construction for IP68 cable glands HC - Costruzione alta per pressacavi IP68</p>  <table border="1" data-bbox="151 1433 766 1646"> <thead> <tr> <th>Size Grandezza</th> <th>A</th> <th>B</th> <th>C</th> <th>F</th> <th>L</th> </tr> </thead> <tbody> <tr> <td>10B «57x27»</td> <td>73.5</td> <td>43.5</td> <td>81</td> <td>127</td> <td>54</td> </tr> <tr> <td>16B «77x27»</td> <td>94</td> <td>43.5</td> <td>81,5</td> <td>147</td> <td>54</td> </tr> <tr> <td>24B «104x27»</td> <td>120.5</td> <td>43.5</td> <td>81,5</td> <td>174</td> <td>54</td> </tr> <tr> <td>32B «77x62»</td> <td>94</td> <td>83</td> <td>95</td> <td>147</td> <td>93.5</td> </tr> </tbody> </table>	Size Grandezza	A	B	C	F	L	10B «57x27»	73.5	43.5	81	127	54	16B «77x27»	94	43.5	81,5	147	54	24B «104x27»	120.5	43.5	81,5	174	54	32B «77x62»	94	83	95	147	93.5	10B «57x27»	M 25	7810.7003.7	7810.7003.5
	Size Grandezza	A	B	C	F	L																												
	10B «57x27»	73.5	43.5	81	127	54																												
	16B «77x27»	94	43.5	81,5	147	54																												
	24B «104x27»	120.5	43.5	81,5	174	54																												
	32B «77x62»	94	83	95	147	93.5																												
	10B «57x27»	M 32	7810.7004.7	7810.7004.5																														
	10B «57x27»	Pg 21	7810.7104.7	7810.7104.5																														
	10B «57x27»	Pg 29	7810.7105.7	7810.7105.5																														
	16B «77x27»	M 25	7816.6457.7	7816.6457.5																														
	16B «77x27»	M 32	7816.6458.7	7816.6458.5																														
	16B «77x27»	Pg 21	7816.6435.7	7816.6435.5																														
	16B «77x27»	Pg 29	7816.6436.7	7816.6436.5																														
	24B «104x27»	M 25	7824.6459.7	7824.6459.5																														
	24B «104x27»	M 32	7824.6460.7	7824.6460.5																														
	24B «104x27»	Pg 21	7824.6437.7	7824.6437.5																														
24B «104x27»	Pg 29	7824.6438.7	7824.6438.5																															
32B «77x62»	M 32	7832.6589.5	7832.6589.5																															
32B «77x62»	M 40	7832.6590.5	7832.6590.5																															
32B «77x62»	M 50	7832.6591.5	7832.6591.5																															
32B «77x62»	Pg 29	7832.6539.5	7832.6539.5																															
32B «77x62»	Pg 36	7832.6540.5	7832.6540.5																															
32B «77x62»	Pg 42	7832.6541.5	7832.6541.5																															

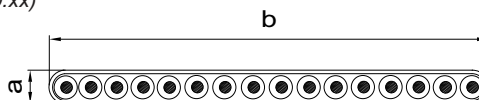
- Type: STD for standard applications and inserts up to 500V series: S-D, S-DD, S-E, S-ES, S-EP, S-ESHV, S-EE, S-HSB, S-K, S-M, S-EHV crimp.
- Type: STD-HV for standard applications and inserts up to 830V, S-EHV series screw terminal and S-HSB for applications over 500V up to 830V.
- Tipo: STD per applicazioni standard ed inserti fino a 500V serie S-D, S-DD, S-E, S-ES, S-EP, S-ESHV, S-EE, S-HSB, S-K, S-M, S-EHV a crimpare.
- Tipo STD-HV per applicazioni standard ed inserti fino a 830V: serie S-EHV con terminali a vite e S-HSB per applicazioni oltre 500V fino a 830V.
- IP66 / IP69 protection degree
 Grado di protezione IP66 / IP69
- Recommended type for IP68 cable glands
 Tipo raccomandato per pressacavi IP68

Hoods for ribbon cables with cable gland with 4 pegs for two levers Custodie per cavi piatti con pressacavo con 4 perni per due leve	Size Grandezza	Cable size Grandezza cavo	Type STD-HV Part No.- Codice	Type STD Part No.- Codice
	 <p>HC - High construction HC - Costruzione alta</p> 	10B «57x27»	3,8-9 x 17-23	7810.5361.2
10B «57x27»		3,8-9 x 26-35	7810.5362.2	7810.5362.0
16B «77x27»		3,8-9 x 17-23	7816.5365.2	7816.5365.0
16B «77x27»		3,8-9 x 26-35	7816.5366.2	7816.5366.0
16B «77x27»		3,8-9 x 40-47	7816.5367.2	7816.5367.0
16B «77x27»		3,8-9 x 48-56	7816.5368.2	7816.5368.0
24B «104x27»		3,8-9 x 17-23	7824.5370.2	7824.5370.0
24B «104x27»		3,8-9 x 26-35	7824.5371.2	7824.5371.0
24B «104x27»		3,8-9 x 40-47	7824.5372.2	7824.5372.0
24B «104x27»		3,8-9 x 48-56	7824.5373.2	7824.5373.0
24B «104x27»		3,8-5,1 x 62-66	7824.5374.2	7824.5374.0
24B «104x27»		4,5-5,7 x 72-76	7824.5375.2	7824.5375.0

Cable glands for ribbon cables
Pressacavi per cavi piatti

The hoods use the following cable glands for ribbon cables (see also section 50. xx)

Le custodie usano i seguenti pressacavi per cavi piatti (vedere anche sezione 50.xx)



Remark:

The cable shall have a smooth surface. With cable with corrugated jacket the IP protection degree has to be checked by the user.

Nota:

I cavi devono avere la superficie liscia. Con cavi con guaina corrugata il grado di protezione IP deve essere verificato dall'utilizzatore.

IP66/IP69

Size Grandezza	A	B	C	D
10B «57x27»	73,5	45,5	81	73,5
16B «77x27»	93,5	45,5	81	94
24B «104x27»	120,5	45,5	81	120,5

Cable size Grandezza cavo	a x b	Part No. Codice
3,8-9 x 17-23	a x b	7000.7360.0
3,8-9 x 26-35		7000.7361.0
3,8-9 x 40-47		7000.7370.0
3,8-9 x 48-56		7000.7371.0
3,8-5,1 x 62-66		7000.7380.0
4,5-5,7 x 72-76		7000.7381.0



- Type: STD for standard applications and inserts up to 500V series: S-D, S-DD, S-E, S-ES, S-EP, S-ESHV, S-EE, S-HSB, S-K, S-M, S-EHV crimp.
- Type: STD-HV for standard applications and inserts up to 830V, S-EHV series screw terminal and S-HSB for applications over 500V up to 830V.
- Cables gland included
- IP66 / IP69 protection degree
- The cable shall have a smooth surface
- Tipo: STD per applicazioni standard ed inserti fino a 500V serie S-D, S-DD, S-E, S-ES, S-EP, S-ESHV, S-EE, S-HSB, S-K, S-M, S-EHV a crimpare.
- Tipo STD-HV per applicazioni standard ed inserti fino a 830V: serie S-EHV con terminali a vite e S-HSB per applicazioni oltre 500V fino a 830V.
- Con pressacavo incluso
- Grado di protezione IP66 / IP69
- I cavi devono avere la superficie liscia

Hoods size B with cable gland for cable thickness $3.8 \div 9$ mm, width $17 \div 35$ mm
Custodie grandezza B con pressacavo per cavo spessore $3.8 \div 9$ mm e larghezza $17 \div 35$ mm



Hood: 10B «57 x 27»
Custodie:



Hood: 16B «77 x 27»
Custodie:



Hood: 24B «104 x 27»
Custodie:

Hoods size B with cable gland for cable thickness $3.8 \div 9$ mm, width $40 \div 56$ mm
Custodie grandezza B con pressacavo per cavo spessore $3.8 \div 9$ mm e larghezza $40 \div 56$ mm



Hood: 16B «77 x 27»
Custodie:





Hood: 24B «104 x 27»
Custodie:

Hoods size B with cable gland for cable thickness $3.8 \div 5.7$ mm, width $62 \div 76$ mm
Custodie grandezza B con pressacavo per cavo spessore $3.8 \div 5.7$ mm e larghezza $62 \div 76$ mm


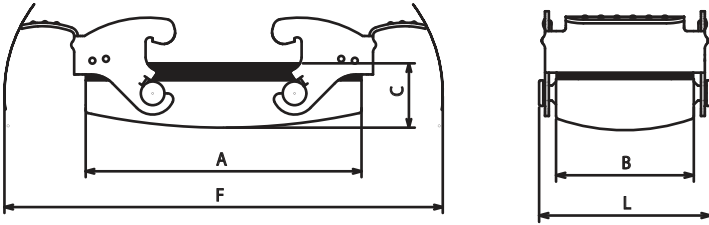


Hood: 24B «104 x 27»
Custodie:

Covers with 4 pegs without gasket <i>Coperchi con 4 perni senza guarnizione</i>	Size <i>Grandezza</i>	Type STD-HV Part No. - Codice	Type STD Part No. - Codice																				
	  <table border="1" data-bbox="245 1431 831 1641"> <thead> <tr> <th>Size <i>Grandezza</i></th> <th>A</th> <th>B</th> <th>C</th> </tr> </thead> <tbody> <tr> <td>10B «57x27»</td> <td>73</td> <td>43</td> <td>16</td> </tr> <tr> <td>16B «77x27»</td> <td>94</td> <td>43</td> <td>16</td> </tr> <tr> <td>24B «104x27»</td> <td>120</td> <td>43</td> <td>17</td> </tr> <tr> <td>32B «77x62»</td> <td>94</td> <td>83</td> <td>18</td> </tr> </tbody> </table>	Size <i>Grandezza</i>	A	B	C	10B «57x27»	73	43	16	16B «77x27»	94	43	16	24B «104x27»	120	43	17	32B «77x62»	94	83	18	10B «57x27»	7810.6805.0
Size <i>Grandezza</i>		A	B	C																			
10B «57x27»		73	43	16																			
16B «77x27»		94	43	16																			
24B «104x27»	120	43	17																				
32B «77x62»	94	83	18																				
16B «77x27»	7816.6806.0	7816.6806.0																					
24B «104x27»	7824.6807.0	7824.6807.0																					
32B «77x62»	7832.6808.0	7832.6808.0																					


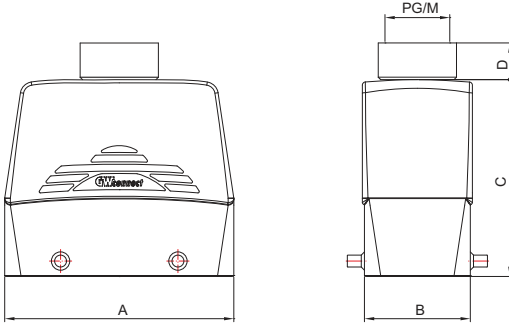


- Type: STD-HV for standard applications and inserts up to 830V, for hood/housings STD and STD-HV series
- *Tipo: STD-HV per applicazioni standard ed inserti fino a 830V: per custodie serie STD e STD-HV*
- IP66 / IP69 protection degree
Grado di protezione IP66 / IP69

Covers with 2 levers and gasket <i>Coperchi con 2 leve e guarnizione</i>	Size <i>Grandezza</i>	Type STD-HV Part No. - Codice	Type STD Part No. - Codice																														
	  <table border="1" data-bbox="220 1429 853 1646"> <thead> <tr> <th>Size <i>Grandezza</i></th> <th>A</th> <th>B</th> <th>C</th> <th>F</th> <th>L</th> </tr> </thead> <tbody> <tr> <td>10B «57x27»</td> <td>73</td> <td>43</td> <td>22</td> <td>127</td> <td>54</td> </tr> <tr> <td>16B «77x27»</td> <td>94</td> <td>43</td> <td>22</td> <td>147</td> <td>54</td> </tr> <tr> <td>24B «104x27»</td> <td>120</td> <td>43</td> <td>23</td> <td>174</td> <td>54</td> </tr> <tr> <td>32B «77x62»</td> <td>94</td> <td>83</td> <td>24</td> <td>147</td> <td>93.5</td> </tr> </tbody> </table>	Size <i>Grandezza</i>	A	B	C	F	L	10B «57x27»	73	43	22	127	54	16B «77x27»	94	43	22	147	54	24B «104x27»	120	43	23	174	54	32B «77x62»	94	83	24	147	93.5	10B «57x27»	7810.6809.0
Size <i>Grandezza</i>		A	B	C	F	L																											
10B «57x27»		73	43	22	127	54																											
16B «77x27»		94	43	22	147	54																											
24B «104x27»	120	43	23	174	54																												
32B «77x62»	94	83	24	147	93.5																												
16B «77x27»	7816.6810.0	7816.6810.0																															
24B «104x27»	7824.6811.0	7824.6811.0																															
32B «77x62»	7832.6812.0	7832.6812.0																															







- Type: STD-HV for standard applications and inserts up to 830V, for hood/housings STD and STD-HV series
- *Tipo: STD-HV per applicazioni standard ed inserti fino a 830V: per custodie serie STD e STD-HV*
- IP66 / IP69 protection degree
Grado di protezione IP66 / IP69


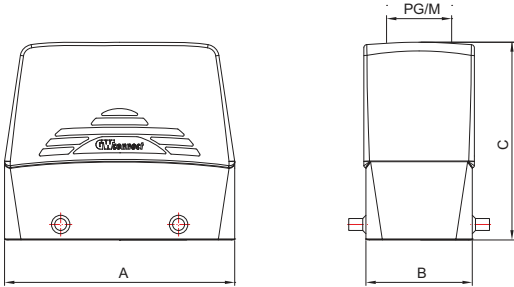
Hoods top entry with 4 pegs for two levers <i>Custodie ingresso verticale con 4 perni per due leve</i>	Size <i>Grandezza</i>	Thread <i>Filettatura</i>	Type STD-HV	Type STD
			Part No. - Codice	Part No. - Codice
 <p>HC - High Construction <i>HC - Costruzione alta</i></p> 	10B «57x27»	M 32	7810.6443.2B	7810.6443.0B
	10B «57x27»	M 40	7810.6444.2B	7810.6444.0B
	10B «57x27»	Pg 21	7810.6421.2B	7810.6421.0B
	10B «57x27»	Pg 29	7810.6422.2B	7810.6422.0B
	16B «77x27»	M 32	7816.6445.2B	7816.6445.0B
	16B «77x27»	M 40	7816.6446.2B	7816.6446.0B
	16B «77x27»	Pg 21	7816.6423.2B	7816.6423.0B
	16B «77x27»	Pg 29	7816.6424.2B	7816.6424.0B
	24B «104x27»	M 32	7824.6447.2B	7824.6447.0B
	24B «104x27»	M 40	7824.6448.2B	7824.6448.0B
	24B «104x27»	Pg 21	7824.6425.2B	7824.6425.0B
	24B «104x27»	Pg 29	7824.6426.2B	7824.6426.0B

Thread <i>Filettatura</i>	M32	M40	M50	Pg21	Pg29	Pg36	Pg42
D	16,5	19,5	20	15	16,5	17,5	20

Size <i>Grandezza</i>	A	B	C
10B «57x27»	73.5	43.5	*80,5
16B «77x27»	94	43.5	*90,5
24B «104x27»	120.5	43.5	*90,5


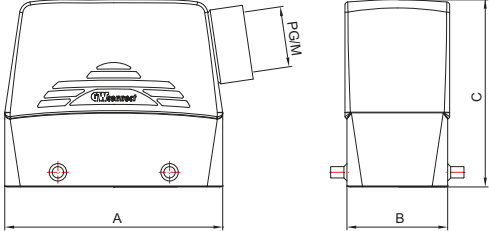





- Type: STD for standard applications and inserts up to 500V/600V (UL)
series: S-D, S-DD, S-E, S-ES, S-EP, S-ESHV, S-EE, S-HSB, S-K, S-M, S-EHV crimp.
- Type: STD-HV for standard applications and inserts up to 830V,
S-EHV series screw terminal and S-HSB for applications over 500V up to 830V.
- *Tipo: STD per applicazioni standard ed inserti fino a 500V/600V (UL)*
S-D, S-DD, S-E, S-ES, S-EP, S-ESHV, S-EE, S-HSB, S-K, S-M, S-EHV a crimpare.
- *Tipo STD-HV per applicazioni standard ed inserti fino a 830V:*
serie S-EHV con terminali a vite e S-HSB per applicazioni oltre 500V fino a 830V.
- IP66 / IP69 protection degree
Grado di protezione IP66 / IP69
- For IP66 and IP68 cable glands
Per pressacavi IP66 e IP68

Hoods top entry with 4 pegs for two levers <i>Custodie ingresso verticale con 4 perni per due leve</i>	Size <i>Grandezza</i>	Thread <i>Filettatura</i>	Type STD-HV	Type STD																
			Part No. - Codice	Part No. - Codice																
 <p>HC - High Construction for IP68 cable glands <i>HC - Costruzione alta per pressacavi IP68</i></p>  <table border="1" data-bbox="167 1326 750 1496"> <thead> <tr> <th>Size <i>Grandezza</i></th> <th>A</th> <th>B</th> <th>C</th> </tr> </thead> <tbody> <tr> <td>10B «57x27»</td> <td>73.5</td> <td>43.5</td> <td>*80,5</td> </tr> <tr> <td>16B «77x27»</td> <td>94</td> <td>43.5</td> <td>*80,5</td> </tr> <tr> <td>24B «104x27»</td> <td>120.5</td> <td>43.5</td> <td>*80,5</td> </tr> </tbody> </table>	Size <i>Grandezza</i>	A	B	C	10B «57x27»	73.5	43.5	*80,5	16B «77x27»	94	43.5	*80,5	24B «104x27»	120.5	43.5	*80,5	10B «57x27»	M 32	7810.6443.7B	7810.6443.5B
	Size <i>Grandezza</i>	A	B	C																
	10B «57x27»	73.5	43.5	*80,5																
	16B «77x27»	94	43.5	*80,5																
	24B «104x27»	120.5	43.5	*80,5																
	10B «57x27»	M 40	7810.6444.7B	7810.6444.5B																
	10B «57x27»	Pg 21	7810.6421.7B	7810.6421.5B																
	10B «57x27»	Pg 29	7810.6422.7B	7810.6422.5B																
	16B «77x27»	M 32	7816.6445.7B	7816.6445.5B																
	16B «77x27»	M 40	7816.6446.7B	7816.6446.5B																
	16B «77x27»	Pg 21	7816.6423.7B	7816.6423.5B																
	16B «77x27»	Pg 29	7816.6424.7B	7816.6424.5B																
	24B «104x27»	M 32	7824.6447.7B	7824.6447.5B																
	24B «104x27»	M 40	7824.6448.7B	7824.6448.5B																
24B «104x27»	Pg 21	7824.6425.7B	7824.6425.5B																	
24B «104x27»	Pg 29	7824.6426.7B	7824.6426.5B																	


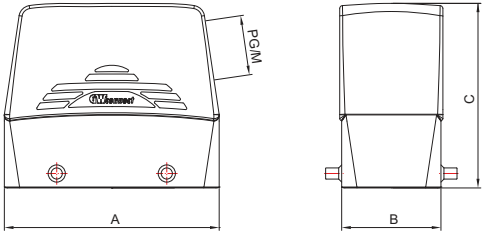


- Type: STD for standard applications and inserts up to 500V/600V (UL) series: S-D, S-DD, S-E, S-ES, S-EP, S-ESHV, S-EE, S-HSB, S-K, S-M, S-EHV crimp.
- Type: STD-HV for standard applications and inserts up to 830V, S-EHV series screw terminal and S-HSB for applications over 500V up to 830V.
- Tipo: STD per applicazioni standard ed inserti fino a 500V/600V (UL) S-D, S-DD, S-E, S-ES, S-EP, S-ESHV, S-EE, S-HSB, S-K, S-M, S-EHV a crimpare.
- Tipo STD-HV per applicazioni standard ed inserti fino a 830V: serie S-EHV con terminali a vite e S-HSB per applicazioni oltre 500V fino a 830V.
- IP66 / IP69 protection degree
Grado di protezione IP66 / IP69
- Recommended type for IP68 cable glands
Tipo raccomandato per pressacavi IP68

Hoods side entry with 4 pegs for two levers <i>Custodie ingresso orizzontale con 4 perni per due leve</i>	Size <i>Grandezza</i>	Thread <i>Filettatura</i>	Type STD-HV	Type STD																
			Part No. - Codice	Part No. - Codice																
 <p>HC - High Construction <i>HC - Costruzione alta</i></p>  <table border="1" data-bbox="167 1265 750 1438"> <thead> <tr> <th>Size <i>Grandezza</i></th> <th>A</th> <th>B</th> <th>C</th> </tr> </thead> <tbody> <tr> <td>10B «57x27»</td> <td>73.5</td> <td>43.5</td> <td>*80,5</td> </tr> <tr> <td>16B «77x27»</td> <td>94</td> <td>43.5</td> <td>*80,5</td> </tr> <tr> <td>24B «104x27»</td> <td>120.5</td> <td>43.5</td> <td>*80,5</td> </tr> </tbody> </table>	Size <i>Grandezza</i>	A	B	C	10B «57x27»	73.5	43.5	*80,5	16B «77x27»	94	43.5	*80,5	24B «104x27»	120.5	43.5	*80,5	10B «57x27»	M 32	7810.6485.2B	7810.6485.0B
	Size <i>Grandezza</i>	A	B	C																
	10B «57x27»	73.5	43.5	*80,5																
	16B «77x27»	94	43.5	*80,5																
	24B «104x27»	120.5	43.5	*80,5																
	10B «57x27»	M 40	7810.6486.2B	7810.6486.0B																
	10B «57x27»	Pg 21	7810.6471.2B	7810.6471.0B																
	10B «57x27»	Pg 29	7810.6472.2B	7810.6472.0B																
	16B «77x27»	M 32	7816.6487.2B	7816.6487.0B																
	16B «77x27»	M 40	7816.6488.2B	7816.6488.0B																
	16B «77x27»	Pg 21	7816.6473.2B	7816.6473.0B																
	16B «77x27»	Pg 29	7816.6474.2B	7816.6474.0B																
	24B «104x27»	M 32	7824.6489.2B	7824.6489.0B																
	24B «104x27»	M 40	7824.6490.2B	7824.6490.0B																
	24B «104x27»	Pg 21	7824.6475.2B	7824.6475.0B																
	24B «104x27»	Pg 29	7824.6476.2B	7824.6476.0B																




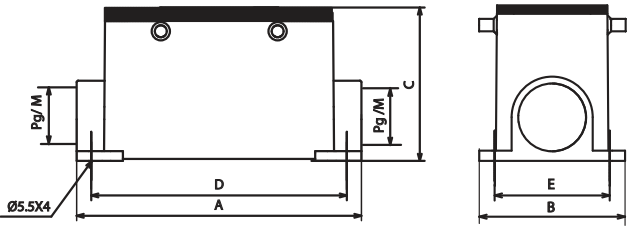
- Type: STD for standard applications and inserts up to 500V/600 (UL) series: S-D, S-DD, S-E, S-ES, S-EP, S-ESHV, S-EE, S-HSB, S-K, S-M, S-EHV crimp.
- Type: STD-HV for standard applications and inserts up to 830V, S-EHV series screw terminal and S-HSB for applications over 500V up to 830V.
- Tipo: STD per applicazioni standard ed inserti fino a 500V/600V (UL) S-D, S-DD, S-E, S-ES, S-EP, S-ESHV, S-EE, S-HSB, S-K, S-M, S-EHV a crimpare.
- Tipo STD-HV per applicazioni standard ed inserti fino a 830V: serie S-EHV con terminali a vite e S-HSB per applicazioni oltre 500V fino a 830V.
- IP66 / IP69 protection degree
Grado di protezione IP66 / IP69
- For IP66 and IP68 cable glands
Per pressacavi IP66 e IP68

Hoods side entry with 4 pegs for two levers Custodie ingresso orizzontale con 4 perni per due leve	Size Grandezza	Thread Filettatura	Type STD-HV	Type STD																
			Part No. - Codice	Part No. - Codice																
 <p>HC - High Construction for IP68 cable glands HC - Costruzione alta per pressacavi IP68</p>  <table border="1" data-bbox="169 1263 754 1435"> <thead> <tr> <th>Size Grandezza</th> <th>A</th> <th>B</th> <th>C</th> </tr> </thead> <tbody> <tr> <td>10B «57x27»</td> <td>73.5</td> <td>43.5</td> <td>*80,5</td> </tr> <tr> <td>16B «77x27»</td> <td>94</td> <td>43.5</td> <td>*80,5</td> </tr> <tr> <td>24B «104x27»</td> <td>120.5</td> <td>43.5</td> <td>*80,5</td> </tr> </tbody> </table>	Size Grandezza	A	B	C	10B «57x27»	73.5	43.5	*80,5	16B «77x27»	94	43.5	*80,5	24B «104x27»	120.5	43.5	*80,5	10B «57x27»	M 32	7810.6485.7B	7810.6485.5B
	Size Grandezza	A	B	C																
	10B «57x27»	73.5	43.5	*80,5																
	16B «77x27»	94	43.5	*80,5																
	24B «104x27»	120.5	43.5	*80,5																
	10B «57x27»	M 40	7810.6486.7B	7810.6486.5B																
	10B «57x27»	Pg 21	7810.6471.7B	7810.6471.5B																
	10B «57x27»	Pg 29	7810.6472.7B	7810.6472.5B																
	16B «77x27»	M 32	7816.6487.7B	7816.6487.5B																
	16B «77x27»	M 40	7816.6488.7B	7816.6488.5B																
	16B «77x27»	Pg 21	7816.6473.7B	7816.6473.5B																
	16B «77x27»	Pg 29	7816.6474.7B	7816.6474.5B																
	24B «104x27»	M 32	7824.6489.7B	7824.6489.5B																
	24B «104x27»	M 40	7824.6490.7B	7824.6490.5B																
	24B «104x27»	Pg 21	7824.6475.7B	7824.6475.5B																
	24B «104x27»	Pg 29	7824.6476.7B	7824.6476.5B																



- Type: STD for standard applications and inserts up to 500V/600 (UL) series: S-D, S-DD, S-E, S-ES, S-EP, S-ESHV, S-EE, S-HSB, S-K, S-M, S-EHV crimp.
- Type: STD-HV for standard applications and inserts up to 830V, S-EHV series screw terminal and S-HSB for applications over 500V up to 830V.
- Tipo: STD per applicazioni standard ed inserti fino a 500V/600V (UL) S-D, S-DD, S-E, S-ES, S-EP, S-ESHV, S-EE, S-HSB, S-K, S-M, S-EHV a crimpare.
- Tipo STD-HV per applicazioni standard ed inserti fino a 830V: serie S-EHV con terminali a vite e S-HSB per applicazioni oltre 500V fino a 830V.
- IP66 / IP69 protection degree
Grado di protezione IP66 / IP69
- Recommended type for IP68 cable glands
Tipo raccomandato per pressacavi IP68


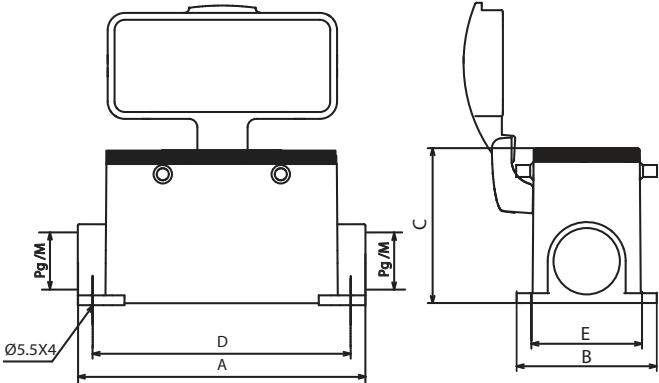


Surface mounting housings <i>Custodie da parete</i>	Size <i>Grandezza</i>	Thread <i>Filettatura</i>	Type STD-HV	Type STD																														
			Part No. - Codice	Part No. - Codice																														
  <table border="1" data-bbox="130 1348 793 1556"> <thead> <tr> <th>Size <i>Grandezza</i></th> <th>A</th> <th>B</th> <th>C</th> <th>D</th> <th>E</th> </tr> </thead> <tbody> <tr> <td>10B «57x27»</td> <td>97</td> <td>57</td> <td>57</td> <td>82</td> <td>40</td> </tr> <tr> <td>16B «77x27»</td> <td>117</td> <td>57</td> <td>63</td> <td>105</td> <td>45</td> </tr> <tr> <td>24B «104x27»</td> <td>143.5</td> <td>57</td> <td>63</td> <td>132</td> <td>45</td> </tr> <tr> <td>32B «77x62»</td> <td>125</td> <td>84.5</td> <td>87.5</td> <td>112</td> <td>67</td> </tr> </tbody> </table>	Size <i>Grandezza</i>	A	B	C	D	E	10B «57x27»	97	57	57	82	40	16B «77x27»	117	57	63	105	45	24B «104x27»	143.5	57	63	132	45	32B «77x62»	125	84.5	87.5	112	67	10B «57x27»	M 20	7810.5001.2	7810.5001.0
	Size <i>Grandezza</i>	A	B	C	D	E																												
	10B «57x27»	97	57	57	82	40																												
	16B «77x27»	117	57	63	105	45																												
	24B «104x27»	143.5	57	63	132	45																												
	32B «77x62»	125	84.5	87.5	112	67																												
	10B «57x27»	M 20X2	7810.5002.2	7810.5002.0																														
	10B «57x27»	Pg 16	7810.5003.2	7810.5003.0																														
	10B «57x27»	Pg 16X2	7810.5004.2	7810.5004.0																														
	16B «77x27»	M 25	7816.5005.2	7816.5005.0																														
	16B «77x27»	M 25X2	7816.5006.2	7816.5006.0																														
	16B «77x27»	Pg 21	7816.5007.2	7816.5007.0																														
	16B «77x27»	Pg 21X2	7816.5008.2	7816.5008.0																														
	24B «104x27»	M 25	7824.5009.2	7824.5009.0																														
	24B «104x27»	M 25X2	7824.5010.2	7824.5010.0																														
	24B «104x27»	Pg 21	7824.5011.2	7824.5011.0																														
	24B «104x27»	Pg 21X2	7824.5012.2	7824.5012.0																														
	32B «77x62»	M 40	7832.5013.0	7832.5013.0																														
	32B «77x62»	M 40X2	7832.5014.0	7832.5014.0																														
	32B «77x62»	M 50	7832.5015.0	7832.5015.0																														
32B «77x62»	M 50X2	7832.5016.0	7832.5016.0																															
32B «77x62»	Pg 29	7832.5017.0	7832.5017.0																															
32B «77x62»	Pg 29X2	7832.5018.0	7832.5018.0																															
32B «77x62»	Pg 36	7832.5019.0	7832.5019.0																															
32B «77x62»	Pg 36X2	7832.5020.0	7832.5020.0																															
32B «77x62»	Pg 42 ◊	7832.5021.0	7832.5021.0																															
32B «77x62»	Pg 42X2 ◊	7832.5022.0	7832.5022.0																															







- Type: STD for standard applications and inserts up to 500V series: S-D, S-DD, S-E, S-ES, S-EP, S-ESHV, S-EE, S-HSB, S-K, S-M, S-EHV crimp.
- Type: STD-HV for standard applications and inserts up to 830V, S-EHV series screw terminal and S-HSB for applications over 500V up to 830V.
- Tipo: STD per applicazioni standard ed inserti fino a 500V serie S-D, S-DD, S-E, S-ES, S-EP, S-ESHV, S-EE, S-HSB, S-K, S-M, S-EHV a crimpare.
- Tipo STD-HV per applicazioni standard ed inserti fino a 830V: serie S-EHV con terminali a vite e S-HSB per applicazioni oltre 500V fino a 830V.
- IP66 / IP69 protection degree
Grado di protezione IP66 / IP69
- 1 entry or 2 entries
1 o 2 ingressi

◊ With enlarger Pg 36 / Pg 42
Con ampliatore Pg36 / Pg 42

Surface mounting housings with cover <i>Custodie da parete con coperchio</i>	Size <i>Grandezza</i>	Thread <i>Filettatura</i>	Type STD-HV	Type STD
			Part No. - Codice	Part No. - Codice
 	10B «57x27»	M 20	7810.5023.2	7810.5023.0
	10B «57x27»	M 20X2	7810.5024.2	7810.5024.0
	10B «57x27»	Pg 16	7810.5025.2	7810.5025.0
	10B «57x27»	Pg 16X2	7810.5026.2	7810.5026.0
	16B «77x27»	M 25	7816.5027.2	7816.5027.0
	16B «77x27»	M 25X2	7816.5028.2	7816.5028.0
	16B «77x27»	Pg 21	7816.5029.2	7816.5029.0
	16B «77x27»	Pg 21X2	7816.5030.2	7816.5030.0
	24B «104x27»	M 25	7824.5031.2	7824.5031.0
	24B «104x27»	M 25X2	7824.5032.2	7824.5032.0
	24B «104x27»	Pg 21	7824.5033.2	7824.5033.0
	24B «104x27»	Pg 21X2	7824.5034.2	7824.5034.0
	32B «77x62»	M 40	7832.5035.0	7832.5035.0
	32B «77x62»	M 40X2	7832.5036.0	7832.5036.0
	32B «77x62»	M 50	7832.5037.0	7832.5037.0
	32B «77x62»	M 50X2	7832.5038.0	7832.5038.0
	32B «77x62»	Pg 29	7832.5039.0	7832.5039.0
	32B «77x62»	Pg 29X2	7832.5040.0	7832.5040.0
	32B «77x62»	Pg 36	7832.5041.0	7832.5041.0
	32B «77x62»	Pg 36X2	7832.5042.0	7832.5042.0
32B «77x62»	Pg 42 ◊	7832.5043.0	7832.5043.0	
32B «77x62»	Pg 42X2 ◊	7832.5044.0	7832.5044.0	

Size <i>Grandezza</i>	A	B	C	D	E
10B «57x27»	97	57	57	82	40
16B «77x27»	117	57	63	105	45
24B «104x27»	143.5	57	63	132	45
32B «77x62»	125	84.5	87.5	112	67


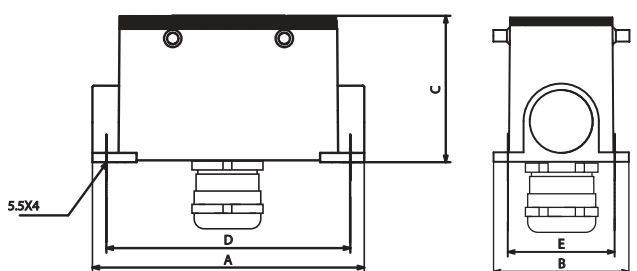










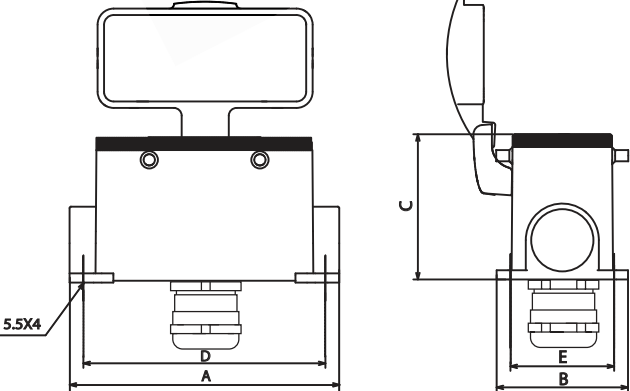
- Type: STD for standard applications and inserts up to 500V series: S-D, S-DD, S-E, S-ES, S-EP, S-ESHV, S-EE, S-HSB, S-K, S-M, S-EHV crimp.
- Type: STD-HV for standard applications and inserts up to 830V, S-EHV series screw terminal and S-HSB for applications over 500V up to 830V.
- Tipo: STD per applicazioni standard ed inserti fino a 500V serie S-D, S-DD, S-E, S-ES, S-EP, S-ESHV, S-EE, S-HSB, S-K, S-M, S-EHV a crimpare.
- Tipo STD-HV per applicazioni standard ed inserti fino a 830V: serie S-EHV con terminali a vite e S-HSB per applicazioni oltre 500V fino a 830V.
- IP66 / IP69 protection degree
- Grado di protezione IP66 / IP69
- Metal cover with stainless steel spring, screws and pegs
- Coperchio metallico con molla, vite e perni in acciaio inox
- 1 entry or 2 entries
- 1 o 2 ingressi

◊ With enlarger Pg 36 / Pg 42
Con ampliatore Pg36 / Pg 42

Remarks:
The enclosures assure an IP66 / IP69 degree of protection when coupled and blocked by the levers.
The cover only provides mechanical protection and does not assure an IP degree of protection.





Avvertenza:
Le custodie garantiscono il grado di protezione IP66 / IP69 quando sono accoppiate e bloccate tramite le leve di chiusura.
Il coperchio determina solo una protezione meccanica senza assicurare il grado di protezione IP.

Bottom entry surface mounting housings <i>Custodie da parete con un ingresso sul fondo</i>	Size <i>Grandezza</i>	Thread <i>Filettatura</i>	Type STD-HV	Type STD																														
			Part No. - Codice	Part No. - Codice																														
 <p>IP68</p>	10B «57x27»	M 20	7810.7581.2	7810.7581.0																														
	10B «57x27»	M 25	7810.7582.2	7810.7582.0																														
	16B «77x27»	M 20	7816.7583.2	7816.7583.0																														
	16B «77x27»	M 25	7816.7584.2	7816.7584.0																														
	24B «104x27»	M 20	7824.7585.2	7824.7585.0																														
	24B «104x27»	M 25	7824.7586.2	7824.7586.0																														
	32B «77x62»	M 32	7832.7587.0	7832.7587.0																														
	32B «77x62»	M 40	7832.7588.0	7832.7588.0																														
	32B «77x62»	M 50	7832.7589.0	7832.7589.0																														
																																		
<table border="1"> <thead> <tr> <th>Size <i>Grandezza</i></th> <th>A</th> <th>B</th> <th>C</th> <th>D</th> <th>E</th> </tr> </thead> <tbody> <tr> <td>10B «57x27»</td> <td>97</td> <td>57</td> <td>57</td> <td>82</td> <td>40</td> </tr> <tr> <td>16B «77x27»</td> <td>117</td> <td>57</td> <td>63</td> <td>105</td> <td>45</td> </tr> <tr> <td>24B «104x27»</td> <td>143.5</td> <td>57</td> <td>63</td> <td>132</td> <td>45</td> </tr> <tr> <td>32B «77x62»</td> <td>125</td> <td>84.5</td> <td>87.5</td> <td>112</td> <td>67</td> </tr> </tbody> </table>					Size <i>Grandezza</i>	A	B	C	D	E	10B «57x27»	97	57	57	82	40	16B «77x27»	117	57	63	105	45	24B «104x27»	143.5	57	63	132	45	32B «77x62»	125	84.5	87.5	112	67
Size <i>Grandezza</i>	A	B	C	D	E																													
10B «57x27»	97	57	57	82	40																													
16B «77x27»	117	57	63	105	45																													
24B «104x27»	143.5	57	63	132	45																													
32B «77x62»	125	84.5	87.5	112	67																													
<table border="1"> <thead> <tr> <th>Thread - <i>Filettatura</i></th> <th>M 20</th> <th>M 25</th> <th>M 32</th> <th>M 40</th> <th>M 50</th> </tr> </thead> <tbody> <tr> <td>Cable dia - <i>dia Cavo</i></td> <td>8 - 14</td> <td>11 - 18</td> <td>14 - 21</td> <td>19 - 28</td> <td>24 - 38</td> </tr> </tbody> </table>					Thread - <i>Filettatura</i>	M 20	M 25	M 32	M 40	M 50	Cable dia - <i>dia Cavo</i>	8 - 14	11 - 18	14 - 21	19 - 28	24 - 38																		
Thread - <i>Filettatura</i>	M 20	M 25	M 32	M 40	M 50																													
Cable dia - <i>dia Cavo</i>	8 - 14	11 - 18	14 - 21	19 - 28	24 - 38																													
<p>     </p> <ul style="list-style-type: none"> - Type: STD for standard applications and inserts up to 500V series: S-D, S-DD, S-E, S-ES, S-EP, S-ESHV, S-EE, S-HSB, S-K, S-M, S-EHV crimp. - Type: STD-HV for standard applications and inserts up to 830V, S-EHV series screw terminal and S-HSB for applications over 500V up to 830V. - Tipo: STD per applicazioni standard ed inserti fino a 500V serie S-D, S-DD, S-E, S-ES, S-EP, S-ESHV, S-EE, S-HSB, S-K, S-M, S-EHV a crimpare. - Tipo STD-HV per applicazioni standard ed inserti fino a 830V: serie S-EHV con terminali a vite e S-HSB per applicazioni oltre 500V fino a 830V. - IP66 / IP69 protection degree Grado di protezione IP66 / IP69 - 1 bottom entry 1 ingresso sul fondo 																																		

Bottom entry surface mounting housings with cover <i>Custodie da parete con coperchio e un ingresso sul fondo</i>	Size <i>Grandezza</i>	Thread <i>Filettatura</i>	Type STD-HV	Type STD
			Part No. - Codice	Part No. - Codice
 <p style="text-align: center;">IP68</p> 	10B «57x27»	M 20	7810.7557.2	7810.7557.0
	10B «57x27»	M 25	7810.7558.2	7810.7558.0
	16B «77x27»	M 20	7816.7590.2	7816.7590.0
	16B «77x27»	M 25	7816.7591.2	7816.7591.0
	24B «104x27»	M 20	7824.7592.2	7824.7592.0
	24B «104x27»	M 25	7824.7593.2	7824.7593.0
	32B «77x62»	M 32	7832.7594.0	7832.7594.0
	32B «77x62»	M 40	7832.7595.0	7832.7595.0
	32B «77x62»	M 50	7832.7596.0	7832.7596.0

Size <i>Grandezza</i>	A	B	C	D	E
10B «57x27»	97	57	57	82	40
16B «77x27»	117	57	63	105	45
24B «104x27»	143.5	57	63	132	45
32B «77x62»	125	84.5	87.5	112	67


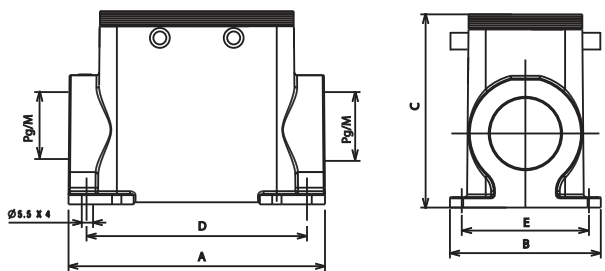
Thread - <i>Filettatura</i>	M 20	M 25	M 32	M 40	M 50
Cable dia - <i>dia Cavo</i>	8 - 14	11 - 18	14 - 21	19 - 28	24 - 38





- Type: STD for standard applications and inserts up to 500V series: S-D, S-DD, S-E, S-ES, S-EP, S-ESHV, S-EE, S-HSB, S-K, S-M, S-EHV crimp.
- Type: STD-HV for standard applications and inserts up to 830V, S-EHV series screw terminal and S-HSB for applications over 500V up to 830V.
- Tipo: STD per applicazioni standard ed inserti fino a 500V serie S-D, S-DD, S-E, S-ES, S-EP, S-ESHV, S-EE, S-HSB, S-K, S-M, S-EHV a crimpare.
- Tipo STD-HV per applicazioni standard ed inserti fino a 830V: serie S-EHV con terminali a vite e S-HSB per applicazioni oltre 500V fino a 830V.
- IP66 / IP69 protection degree
Grado di protezione IP66 / IP69
- Metal cover with stainless steel spring, screws and pegs
Coperchio metallico con molla, vite e perni in acciaio inox
- 1 bottom entry
1 ingresso su fondo


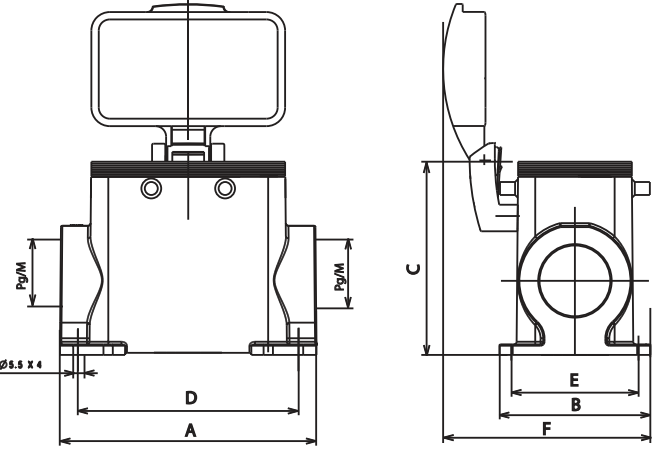
Remarks:
The enclosures assure an IP66 / IP69 degree of protection when coupled and blocked by the levers.
The cover only provides mechanical protection and does not assure an IP degree of protection.

Avvertenza:
*Le custodie garantiscono il grado di protezione IP66 / IP69 quando sono accoppiate e bloccate tramite le leve di chiusura.
Il coperchio determina solo una protezione meccanica senza assicurare il grado di protezione IP.*





Surface mounting housings Custodie da parete	Size Grandezza	Thread Filettatura	Type STD-HV	Type STD
			Part No. - Codice	Part No. - Codice
 <p>HC - High construction HC - Costruzione alta</p> 	10B «57x27»	M 25X2	7810.5129.2	7810.5129.0
	10B «57x27»	M 32	7810.5130.2	7810.5130.0
	10B «57x27»	M 32X2	7810.5131.2	7810.5131.0
	10B «57x27»	M 40	7810.5132.2	7810.5132.0
	10B «57x27»	M 40X2	7810.5133.2	7810.5133.0
	10B «57x27»	Pg 21	7810.5134.2	7810.5134.0
	10B «57x27»	Pg 21X2	7810.5135.2	7810.5135.0
	10B «57x27»	Pg 29	7810.5136.2	7810.5136.0
	10B «57x27»	Pg 29X2	7810.5137.2	7810.5137.0
	16B «77x27»	M 32	7816.5138.2	7816.5138.0
	16B «77x27»	M 32X2	7816.5139.2	7816.5139.0
	16B «77x27»	M 40	7816.5140.2	7816.5140.0
	16B «77x27»	M 40X2	7816.5141.2	7816.5141.0
	16B «77x27»	Pg 21	7816.5142.2	7816.5142.0
	16B «77x27»	Pg 21X2	7816.5143.2	7816.5143.0
	16B «77x27»	Pg 29	7816.5144.2	7816.5144.0
	16B «77x27»	Pg 29X2	7816.5145.2	7816.5145.0
	24B «104x27»	M 32	7824.5147.2	7824.5147.0
	24B «104x27»	M 32X2	7824.5148.2	7824.5148.0
	24B «104x27»	M 40	7824.5149.2	7824.5149.0
	24B «104x27»	M 40X2	7824.5150.2	7824.5150.0
	24B «104x27»	Pg 21	7824.5151.2	7824.5151.0
	24B «104x27»	Pg 21X2	7824.5152.2	7824.5152.0
	24B «104x27»	Pg 29	7824.5153.2	7824.5153.0
24B «104x27»	Pg 29X2	7824.5154.2	7824.5154.0	

Size Grandezza	A	B	C	D	E
10B «57x27»	97	57	73	82	45
16B «77x27»	117	57	77	105	45
24B «104x27»	143.5	57	80	132	45

- 



- Type: STD for standard applications and inserts up to 500V series: S-D, S-DD, S-E, S-ES, S-EP, S-ESHV, S-EE, S-HSB, S-K, S-M, S-EHV crimp.
 - Type: STD-HV for standard applications and inserts up to 830V, S-EHV series screw terminal and S-HSB for applications over 500V up to 830V.
 - Tipo: STD per applicazioni standard ed inserti fino a 500V serie S-D, S-DD, S-E, S-ES, S-EP, S-ESHV, S-EE, S-HSB, S-K, S-M, S-EHV a crimpare.
 - Tipo STD-HV per applicazioni standard ed inserti fino a 830V: serie S-EHV con terminali a vite e S-HSB per applicazioni oltre 500V fino a 830V.
 - IP66 / IP69 protection degree
Grado di protezione IP66 / IP69
 - 1 entry or 2 entries
1 o 2 ingressi

Surface mounting housings with cover <i>Custodie da parete con coperchio</i>	Size <i>Grandezza</i>	Thread <i>Filettatura</i>	Type STD-HV	Type STD
			Part No. - Codice	Part No. - Codice
 <p>HC - High construction HC - Costruzione alta</p> 	10B «57x27»	M 25X2	7810.5159.2	7810.5159.0
	10B «57x27»	M 32	7810.5160.2	7810.5160.0
	10B «57x27»	M 32X2	7810.5161.2	7810.5161.0
	10B «57x27»	M 40	7810.5162.2	7810.5162.0
	10B «57x27»	M 40X2	7810.5163.2	7810.5163.0
	10B «57x27»	Pg 21	7810.5164.2	7810.5164.0
	10B «57x27»	Pg 21X2	7810.5165.2	7810.5165.0
	10B «57x27»	Pg 29	7810.5166.2	7810.5166.0
	10B «57x27»	Pg 29X2	7810.5167.2	7810.5167.0
	16B «77x27»	M 32	7816.5169.2	7816.5169.0
	16B «77x27»	M 32X2	7816.5170.2	7816.5170.0
	16B «77x27»	M 40	7816.5171.2	7816.5171.0
	16B «77x27»	M 40X2	7816.5172.2	7816.5172.0
	16B «77x27»	Pg 21	7816.5173.2	7816.5173.0
	16B «77x27»	Pg 21X2	7816.5174.2	7816.5174.0
	16B «77x27»	Pg 29	7816.5175.2	7816.5175.0
	16B «77x27»	Pg 29X2	7816.5176.2	7816.5176.0
	24B «104x27»	M 32	7824.5178.2	7824.5178.0
	24B «104x27»	M 32X2	7824.5179.2	7824.5179.0
	24B «104x27»	M 40	7824.5180.2	7824.5180.0
	24B «104x27»	M 40X2	7824.5181.2	7824.5181.0
	24B «104x27»	Pg 21	7824.5182.2	7824.5182.0
	24B «104x27»	Pg 21X2	7824.5183.2	7824.5183.0
	24B «104x27»	Pg 29	7824.5184.2	7824.5184.0
24B «104x27»	Pg 29X2	7824.5185.2	7824.5185.0	


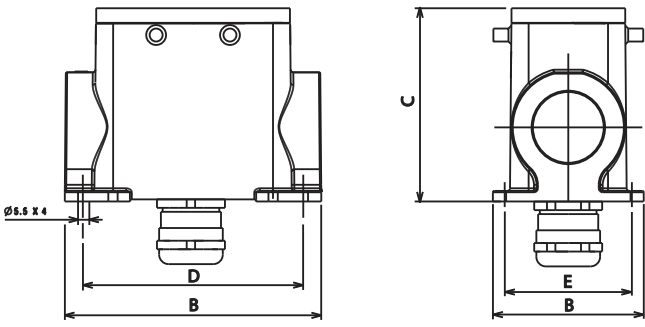

Size <i>Grandezza</i>	A	B	C	D	E	F
10B «57x27»	97	57	73	82	45	78,5
16B «77x27»	117	57	77	105	45	78,5
24B «104x27»	143.5	57	80	132	45	78,5


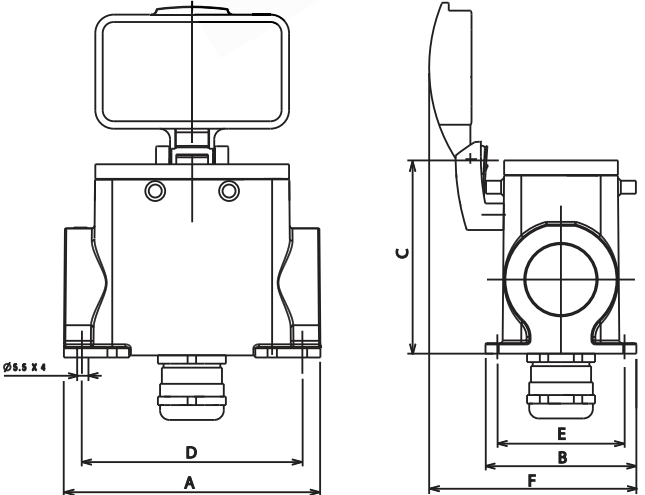





- Type: STD for standard applications and inserts up to 500V series: S-D, S-DD, S-E, S-ES, S-EP, S-ESHV, S-EE, S-HSB, S-K, S-M, S-EHV crimp.
- Type: STD-HV for standard applications and inserts up to 830V, S-EHV series screw terminal and S-HSB for applications over 500V up to 830V.
- *Tipo: STD per applicazioni standard ed inserti fino a 500V serie S-D, S-DD, S-E, S-ES, S-EP, S-ESHV, S-EE, S-HSB, S-K, S-M, S-EHV a crimpare.*
- *Tipo STD-HV per applicazioni standard ed inserti fino a 830V: serie S-EHV con terminali a vite e S-HSB per applicazioni oltre 500V fino a 830V.*
- IP66 / IP69 protection degree
Grado di protezione IP66 / IP69
- Metal cover with stainless steel spring, screws and pegs
Coperchio metallico con molla, vite e perni in acciaio inox
- 1 entry or 2 entries
1 o 2 ingressi

Remarks:
The enclosures assure an IP66 / IP69 degree of protection when coupled and blocked by the levers.
The cover only provides mechanical protection and does not assure an IP degree of protection.





Avvertenza:
*Le custodie garantiscono il grado di protezione IP66 / IP69 quando sono accoppiate e bloccate tramite le leve di chiusura.
Il coperchio determina solo una protezione meccanica senza assicurare il grado di protezione IP.*

Bottom entry surface mounting housings <i>Custodie da parete con un ingresso sul fondo</i>	Size <i>Grandezza</i>	Thread <i>Filettatura</i>	Type STD-HV Part No. - Codice	Type STD Part No. - Codice																														
	 <p>IP68</p> <p>HC - High construction HC - Costruzione alta</p>  <table border="1" data-bbox="124 1344 790 1523"> <thead> <tr> <th>Size <i>Grandezza</i></th> <th>A</th> <th>B</th> <th>C</th> <th>D</th> <th>E</th> </tr> </thead> <tbody> <tr> <td>10B «57x27»</td> <td>97</td> <td>57</td> <td>73</td> <td>82</td> <td>45</td> </tr> <tr> <td>16B «77x27»</td> <td>117</td> <td>57</td> <td>77</td> <td>105</td> <td>45</td> </tr> <tr> <td>24B «104x27»</td> <td>143.5</td> <td>57</td> <td>80</td> <td>132</td> <td>45</td> </tr> </tbody> </table> <table border="1" data-bbox="236 1579 678 1657"> <thead> <tr> <th>Thread - <i>Filettatura</i></th> <th>M 25</th> <th>M 32</th> </tr> </thead> <tbody> <tr> <th>Cable dia - <i>dia Cavo</i></th> <td>11 - 18</td> <td>14 - 21</td> </tr> </tbody> </table> <p>  </p> <ul style="list-style-type: none"> - Type: STD for standard applications and inserts up to 500V series: S-D, S-DD, S-E, S-ES, S-EP, S-ESHV, S-EE, S-HSB, S-K, S-M, S-EHV crimp. - Type: STD-HV for standard applications and inserts up to 830V, S-EHV series screw terminal and S-HSB for applications over 500V up to 830V. - Tipo: STD per applicazioni standard ed inserti fino a 500V serie S-D, S-DD, S-E, S-ES, S-EP, S-ESHV, S-EE, S-HSB, S-K, S-M, S-EHV a crimpare. - Tipo STD-HV per applicazioni standard ed inserti fino a 830V: serie S-EHV con terminali a vite e S-HSB per applicazioni oltre 500V fino a 830V. - IP66 / IP69 protection degree Grado di protezione IP66 / IP69 - 1 bottom entry 1 ingresso sul fondo 	Size <i>Grandezza</i>	A	B	C	D	E	10B «57x27»	97	57	73	82	45	16B «77x27»	117	57	77	105	45	24B «104x27»	143.5	57	80	132	45	Thread - <i>Filettatura</i>	M 25	M 32	Cable dia - <i>dia Cavo</i>	11 - 18	14 - 21	10B «57x27»	M 25	7810.7682.2
Size <i>Grandezza</i>		A	B	C	D	E																												
10B «57x27»		97	57	73	82	45																												
16B «77x27»		117	57	77	105	45																												
24B «104x27»		143.5	57	80	132	45																												
Thread - <i>Filettatura</i>		M 25	M 32																															
Cable dia - <i>dia Cavo</i>	11 - 18	14 - 21																																
10B «57x27»	M 32	7810.7683.2	7810.7683.0																															
16B «77x27»	M 25	7816.7684.2	7816.7684.0																															
16B «77x27»	M 32	7816.7685.2	7816.7685.0																															
24B «104x27»	M 25	7824.7686.2	7824.7686.0																															
24B «104x27»	M 32	7824.7687.2	7824.7687.0																															

Bottom entry surface mounting housings with cover <i>Custodie da parete con coperchio e un ingresso sul fondo</i>	Size <i>Grandezza</i>	Thread <i>Filettatura</i>	Type STD-HV	Type STD
			Part No. - Codice	Part No. - Codice
 <p>HC - High construction <i>HC - Costruzione alta</i></p> <p>IP68</p> 	10B «57x27»	M 25	7810.7692.2	7810.7692.0
	10B «57x27»	M 32	7810.7693.2	7810.7693.0
	16B «77x27»	M 25	7816.7694.2	7816.7694.0
	16B «77x27»	M 32	7816.7695.2	7816.7695.0
	24B «104x27»	M 25	7824.7696.2	7824.7696.0
	24B «104x27»	M 32	7824.7697.2	7824.7697.0

Size <i>Grandezza</i>	A	B	C	D	E	F
10B «57x27»	97	57	73	82	45	78,5
16B «77x27»	117	57	77	105	45	78,5
24B «104x27»	143.5	57	80	132	45	78,5


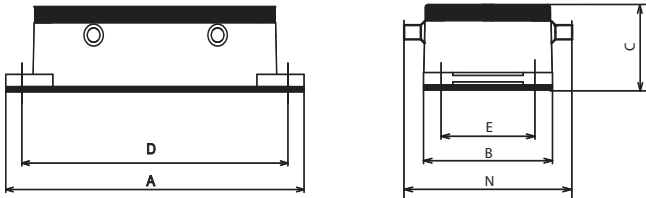
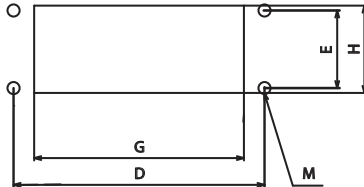
Thread - <i>Filettatura</i>	M 25	M 32
Cable dia - <i>dia Cavo</i>	11 - 18	16 - 25

- Type: STD for standard applications and inserts up to 500V series: S-D, S-DD, S-E, S-ES, S-EP, S-ESHV, S-EE, S-HSB, S-K, S-M, S-EHV crimp.
- Type: STD-HV for standard applications and inserts up to 830V, S-EHV series screw terminal and S-HSB for applications over 500V up to 830V.
- *Tipo: STD per applicazioni standard ed inserti fino a 500V serie S-D, S-DD, S-E, S-ES, S-EP, S-ESHV, S-EE, S-HSB, S-K, S-M, S-EHV a crimpare.*
- *Tipo STD-HV per applicazioni standard ed inserti fino a 830V: serie S-EHV con terminali a vite e S-HSB per applicazioni oltre 500V fino a 830V.*
- IP66 / IP69 protection degree
Grado di protezione IP66 / IP69
- Metal cover with stainless steel spring, screws and pegs
Coperchio metallico con molla, vite e perni in acciaio inox
- 1 bottom entry
1 ingresso su fondo

Remarks:
The enclosures assure an IP66 / IP69 degree of protection when coupled and blocked by the levers.
The cover only provides mechanical protection and does not assure an IP degree of protection.


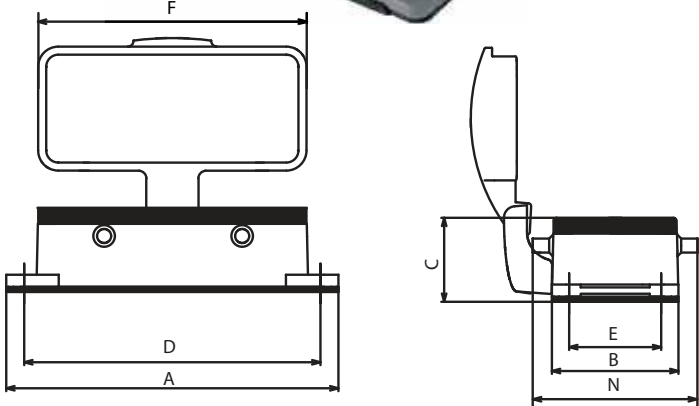
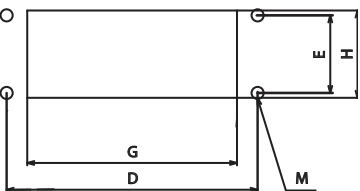
Avvertenza:
Le custodie garantiscono il grado di protezione IP66 / IP69 quando sono accoppiate e bloccate tramite le leve di chiusura. Il coperchio determina solo una protezione meccanica senza assicurare il grado di protezione IP.

Bulkhead mounting housings Custodie da incasso	Size Grandezza	Type STD-HV	Type STD																																																		
		Part No. - Codice	Part No. - Codice																																																		
   <table border="1"> <thead> <tr> <th>Size Grandezza</th> <th>A</th> <th>B</th> <th>C</th> <th>D</th> <th>E</th> <th>G</th> <th>H</th> <th>M</th> <th>N</th> </tr> </thead> <tbody> <tr> <td>10B «57x27»</td> <td>95.5</td> <td>44</td> <td>29.5</td> <td>83</td> <td>32</td> <td>66.5</td> <td>36</td> <td>4.5</td> <td>56</td> </tr> <tr> <td>16B «77x27»</td> <td>115.5</td> <td>44</td> <td>29.5</td> <td>103</td> <td>32</td> <td>86.5</td> <td>36</td> <td>4.5</td> <td>56</td> </tr> <tr> <td>24B «104x27»</td> <td>142.5</td> <td>44</td> <td>29.5</td> <td>130</td> <td>32</td> <td>113</td> <td>36</td> <td>4.5</td> <td>56</td> </tr> <tr> <td>32B «77x62»</td> <td>124.5</td> <td>84</td> <td>35.5</td> <td>110</td> <td>65</td> <td>87.5</td> <td>76.5</td> <td>5.5</td> <td>108</td> </tr> </tbody> </table>	Size Grandezza	A	B	C	D	E	G	H	M	N	10B «57x27»	95.5	44	29.5	83	32	66.5	36	4.5	56	16B «77x27»	115.5	44	29.5	103	32	86.5	36	4.5	56	24B «104x27»	142.5	44	29.5	130	32	113	36	4.5	56	32B «77x62»	124.5	84	35.5	110	65	87.5	76.5	5.5	108	10B «57x27»	7810.5050.2	7810.5050.0
	Size Grandezza	A	B	C	D	E	G	H	M	N																																											
	10B «57x27»	95.5	44	29.5	83	32	66.5	36	4.5	56																																											
	16B «77x27»	115.5	44	29.5	103	32	86.5	36	4.5	56																																											
24B «104x27»	142.5	44	29.5	130	32	113	36	4.5	56																																												
32B «77x62»	124.5	84	35.5	110	65	87.5	76.5	5.5	108																																												
	16B «77x27»	7816.5051.2	7816.5051.0																																																		
	24B «104x27»	7824.5052.2	7824.5052.0																																																		
	32B «77x62»	7832.5053.0	7832.5053.0																																																		

Panel cut out
Foratura del pannello



- Type: STD for standard applications and inserts up to 500V series: S-D, S-DD, S-E, S-ES, S-EP, S-ESHV, S-EE, S-HSB, S-K, S-M, S-EHV crimp.
- Type: STD-HV for standard applications and inserts up to 830V. S-EHV series screw terminal and S-HSB for applications over 500V up to 830V.
- Tipo: STD per applicazioni standard ed inserti fino a 500V serie S-D, S-DD, S-E, S-ES, S-EP, S-ESHV, S-EE, S-HSB, S-K, S-M, S-EHV a crimpare.
- Tipo STD-HV per applicazioni standard ed inserti fino a 830V: serie S-EHV con terminali a vite e S-HSB per applicazioni oltre 500V fino a 830V.
- IP66 / IP69 protection degree
Grado di protezione IP66 / IP69

Bulkhead mounting housings with cover <i>Custodie da incasso con coperchio</i>	Size <i>Grandezza</i>	Type STD-HV Part No. - Codice	Type STD Part No. - Codice
	   Panel cut out <i>Foratura del pannello</i>	10B «57x27»	7810.5054.2
16B «77x27»		7816.5055.2	7816.5055.0
24B «104x27»		7824.5056.2	7824.5056.0
32B «77x62»		7832.5057.0	7832.5057.0

Size <i>Grandezza</i>	A	B	C	D	E	F	G	H	M	N
10B «57x27»	95.5	44	29.5	83	32	73.5	66.5	36	4.5	56
16B «77x27»	115.5	44	29.5	103	32	94	86.5	36	4.5	56
24B «104x27»	142.5	44	29.5	130	32	120.5	113	36	4.5	56
32B «77x62»	124.5	84	35.5	110	65	94	87.5	76.5	5.5	108




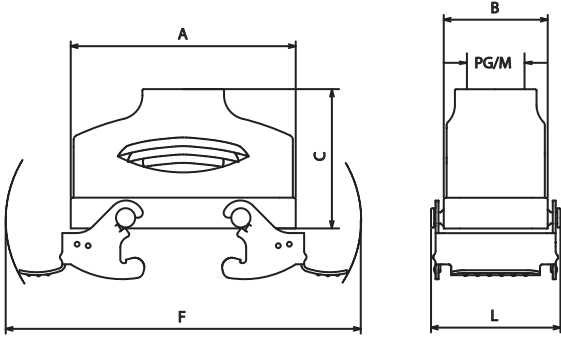
- Type: STD for standard applications and inserts up to 500V series: S-D, S-DD, S-E, S-ES, S-EP, S-ESHV, S-EE, S-HSB, S-K, S-M, S-EHV crimp.
- Type: STD-HV for standard applications and inserts up to 830V, S-EHV series screw terminal and S-HSB for applications over 500V up to 830V.
- Tipo: STD per applicazioni standard ed inserti fino a 500V serie S-D, S-DD, S-E, S-ES, S-EP, S-ESHV, S-EE, S-HSB, S-K, S-M, S-EHV a crimpare.
- Tipo STD-HV per applicazioni standard ed inserti fino a 830V: serie S-EHV con terminali a vite e S-HSB per applicazioni oltre 500V fino a 830V.
- IP66 / IP69 protection degree
Grado di protezione IP66 / IP69
- Metal cover with stainless steel spring, screws and pegs
Coperchio metallico con molla, vite e perni in acciaio inox

Remarks:

The enclosures assure an IP66 / IP69 degree of protection when coupled and blocked by the levers. The cover only provides mechanical protection and does not assure an IP degree of protection.


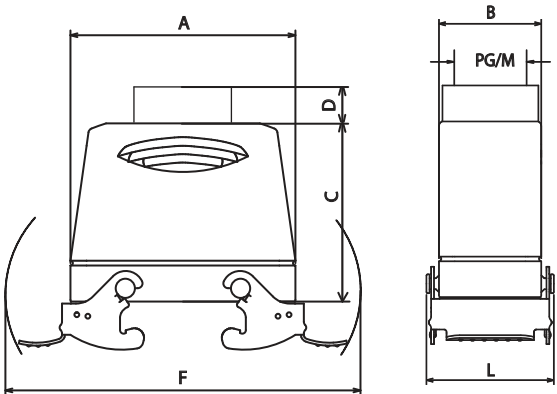
Avvertenza:

Le custodie garantiscono il grado di protezione IP66 / IP69 quando sono accoppiate e bloccate tramite le leve di chiusura. Il coperchio determina solo una protezione meccanica senza assicurare il grado di protezione IP.

Hoods top entry with two levers without gasket Custodia ingresso verticale con due leve senza guarnizione	Size Grandezza	Thread Filettatura	Type STD-HV	Type STD																								
			Part No. - Codice	Part No. - Codice																								
	10B «57x27»	M 20	7810.5060.2	7810.5060.0																								
	10B «57x27»	M 25	7810.5061.2	7810.5061.0																								
	10B «57x27»	Pg 16	7810.5062.2	7810.5062.0																								
	16B «77x27»	M 25	7816.5063.2	7816.5063.0																								
	16B «77x27»	M 32	7816.5064.2	7816.5064.0																								
	16B «77x27»	Pg 21	7816.5065.2	7816.5065.0																								
	24B «104x27»	M 25	7824.5066.2	7824.5066.0																								
	24B «104x27»	M 32	7824.5067.2	7824.5067.0																								
	24B «104x27»	Pg 21	7824.5068.2	7824.5068.0																								
	24B «104x27»	Pg 29	7824.5069.2	7824.5069.0																								
																												
	<table border="1"> <thead> <tr> <th>Size Grandezza</th> <th>A</th> <th>B</th> <th>C</th> <th>F</th> <th>L</th> </tr> </thead> <tbody> <tr> <td>10B «57x27»</td> <td>73.5</td> <td>43.5</td> <td>58</td> <td>127</td> <td>54</td> </tr> <tr> <td>16B «77x27»</td> <td>94</td> <td>43.5</td> <td>58</td> <td>147</td> <td>54</td> </tr> <tr> <td>24B «104x27»</td> <td>120.5</td> <td>43.5</td> <td>68</td> <td>174</td> <td>54</td> </tr> </tbody> </table>					Size Grandezza	A	B	C	F	L	10B «57x27»	73.5	43.5	58	127	54	16B «77x27»	94	43.5	58	147	54	24B «104x27»	120.5	43.5	68	174
Size Grandezza	A	B	C	F	L																							
10B «57x27»	73.5	43.5	58	127	54																							
16B «77x27»	94	43.5	58	147	54																							
24B «104x27»	120.5	43.5	68	174	54																							




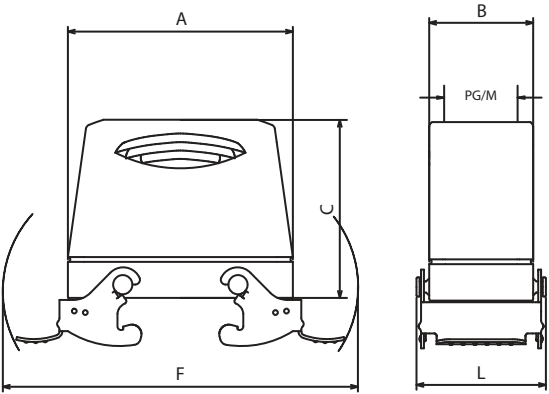
- Type: STD for standard applications and inserts up to 500V series: S-D, S-DD, S-E, S-ES, S-EP, S-ESHV, S-EE, S-HSB, S-K, S-M, S-EHV crimp.
- Type: STD-HV for standard applications and inserts up to 830V, S-EHV series screw terminal and S-HSB for applications over 500V up to 830V.
- Tipo: STD per applicazioni standard ed inserti fino a 500V serie S-D, S-DD, S-E, S-ES, S-EP, S-ESHV, S-EE, S-HSB, S-K, S-M, S-EHV a crimpare.
- Tipo STD-HV per applicazioni standard ed inserti fino a 830V: serie S-EHV con terminali a vite e S-HSB per applicazioni oltre 500V fino a 830V..
- IP66 / IP69 protection degree
Grado di protezione IP66 / IP69
- For IP66 and IP68 cable glands
Per pressacavi IP66 e IP68

Hoods top entry with two levers Custodie ingresso verticale con due leve	Size Grandezza	Thread Filettatura	Type STD-HV	Type STD																																										
			Part No. - Codice	Part No. - Codice																																										
 <p>HC - High Construction HC - Costruzione alta</p>  <table border="1" data-bbox="226 1220 694 1321"> <thead> <tr> <th>Thread Filettatura</th> <th>M32</th> <th>M40</th> <th>Pg21</th> <th>Pg29</th> <th>Pg36</th> </tr> </thead> <tbody> <tr> <td>D</td> <td>16,5</td> <td>19,5</td> <td>15</td> <td>16,5</td> <td>19,5</td> </tr> </tbody> </table> <table border="1" data-bbox="140 1344 774 1556"> <thead> <tr> <th>Size Grandezza</th> <th>A</th> <th>B</th> <th>C</th> <th>F</th> <th>L</th> </tr> </thead> <tbody> <tr> <td>10B «57x27»</td> <td>73.5</td> <td>43.5</td> <td>*75,5</td> <td>127</td> <td>54</td> </tr> <tr> <td>16B «77x27»</td> <td>94</td> <td>43.5</td> <td>*75,5</td> <td>147</td> <td>54</td> </tr> <tr> <td>24B «104x27»</td> <td>120.5</td> <td>43.5</td> <td>*75,5</td> <td>174</td> <td>54</td> </tr> <tr> <td>32B «77x62»</td> <td>94</td> <td>83</td> <td>89</td> <td>147</td> <td>93.5</td> </tr> </tbody> </table>	Thread Filettatura	M32	M40	Pg21	Pg29	Pg36	D	16,5	19,5	15	16,5	19,5	Size Grandezza	A	B	C	F	L	10B «57x27»	73.5	43.5	*75,5	127	54	16B «77x27»	94	43.5	*75,5	147	54	24B «104x27»	120.5	43.5	*75,5	174	54	32B «77x62»	94	83	89	147	93.5	10B «57x27»	M 32	7810.5070.2	7810.5070.0
	Thread Filettatura	M32	M40	Pg21	Pg29	Pg36																																								
	D	16,5	19,5	15	16,5	19,5																																								
	Size Grandezza	A	B	C	F	L																																								
	10B «57x27»	73.5	43.5	*75,5	127	54																																								
	16B «77x27»	94	43.5	*75,5	147	54																																								
	24B «104x27»	120.5	43.5	*75,5	174	54																																								
	32B «77x62»	94	83	89	147	93.5																																								
	10B «57x27»	M 40	7810.5071.2	7810.5071.0																																										
	10B «57x27»	Pg 21	7810.5072.2	7810.5072.0																																										
	10B «57x27»	Pg 29	7810.5073.2	7810.5073.0																																										
	16B «77x27»	M 32	7816.5074.2	7816.5074.0																																										
	16B «77x27»	M 40	7816.5075.2	7816.5075.0																																										
	16B «77x27»	Pg 21	7816.5076.2	7816.5076.0																																										
	16B «77x27»	Pg 29	7816.5077.2	7816.5077.0																																										
	24B «104x27»	M 32	7824.5078.2	7824.5078.0																																										
	24B «104x27»	M 40	7824.5079.2	7824.5079.0																																										
	24B «104x27»	Pg 21	7824.5080.2	7824.5080.0																																										
	24B «104x27»	Pg 29	7824.5081.2	7824.5081.0																																										
	32B «77x62»	M 32	7832.5082.0	7832.5082.0																																										
32B «77x62»	M 40	7832.5083.0	7832.5083.0																																											
32B «77x62»	Pg 29	7832.5085.0	7832.5085.0																																											
32B «77x62»	Pg 36	7832.5086.0	7832.5086.0																																											

*For threads M40 and Pg29 C = 81 with hoods LS (Large Shape) type
 *Per filettature M40 e Pg29 C = 81 con custodie tipo LS




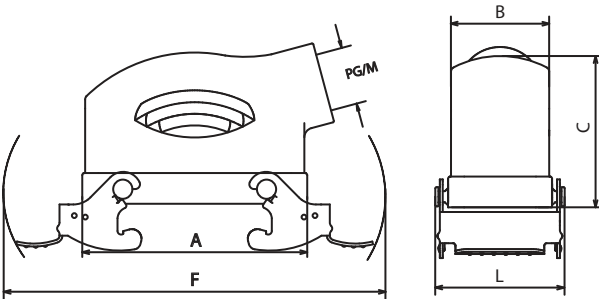

- Type: STD for standard applications and inserts up to 500V series: S-D, S-DD, S-E, S-ES, S-EP, S-ESHV, S-EE, S-HSB, S-K, S-M, S-EHV crimp.
- Type: STD-HV for standard applications and inserts up to 830V, S-EHV series screw terminal and S-HSB for applications over 500V up to 830V.
- Tipo: STD per applicazioni standard ed inserti fino a 500V serie S-D, S-DD, S-E, S-ES, S-EP, S-ESHV, S-EE, S-HSB, S-K, S-M, S-EHV a crimpare.
- Tipo STD-HV per applicazioni standard ed inserti fino a 830V: serie S-EHV con terminali a vite e S-HSB per applicazioni oltre 500V fino a 830V.
- IP66 / IP69 protection degree
Grado di protezione IP66 / IP69
- For IP66 and IP68 cable glands
Per pressacavi IP66 e IP68


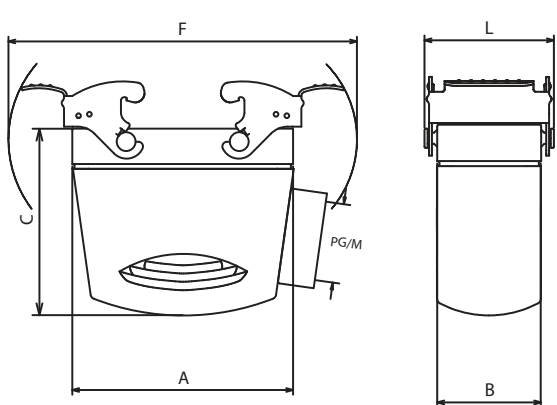
Hoods top entry with two levers Custodie ingresso verticale con due leve	Size Grandezza	Thread Filettatura	Type STD-HV	Type STD																														
			Part No. - Codice	Part No. - Codice																														
 <p>HC - High Construction for IP68 glands HC - Costruzione alta per pressacavi IP68</p>  <table border="1" data-bbox="151 1265 766 1489"> <thead> <tr> <th>Size Grandezza</th> <th>A</th> <th>B</th> <th>C</th> <th>F</th> <th>L</th> </tr> </thead> <tbody> <tr> <td>10B «57x27»</td> <td>73.5</td> <td>43.5</td> <td>*75,5</td> <td>127</td> <td>54</td> </tr> <tr> <td>16B «77x27»</td> <td>94</td> <td>43.5</td> <td>*75,5</td> <td>147</td> <td>54</td> </tr> <tr> <td>24B «104x27»</td> <td>120.5</td> <td>43.5</td> <td>*75,5</td> <td>174</td> <td>54</td> </tr> <tr> <td>32B «77x62»</td> <td>94</td> <td>83</td> <td>89</td> <td>147</td> <td>93.5</td> </tr> </tbody> </table>	Size Grandezza	A	B	C	F	L	10B «57x27»	73.5	43.5	*75,5	127	54	16B «77x27»	94	43.5	*75,5	147	54	24B «104x27»	120.5	43.5	*75,5	174	54	32B «77x62»	94	83	89	147	93.5	10B «57x27»	M 32	7810.5070.7	7810.5070.5
	Size Grandezza	A	B	C	F	L																												
	10B «57x27»	73.5	43.5	*75,5	127	54																												
	16B «77x27»	94	43.5	*75,5	147	54																												
	24B «104x27»	120.5	43.5	*75,5	174	54																												
	32B «77x62»	94	83	89	147	93.5																												
	10B «57x27»	M 40	7810.5071.7	7810.5071.5																														
	10B «57x27»	Pg 21	7810.5072.7	7810.5072.5																														
	10B «57x27»	Pg 29	7810.5073.7	7810.5073.5																														
	16B «77x27»	M 32	7816.5074.7	7816.5074.5																														
	16B «77x27»	M 40	7816.5075.7	7816.5075.5																														
	16B «77x27»	Pg 21	7816.5076.7	7816.5076.5																														
	16B «77x27»	Pg 29	7816.5077.7	7816.5077.5																														
	24B «104x27»	M 32	7824.5078.7	7824.5078.5																														
	24B «104x27»	M 40	7824.5079.7	7824.5079.5																														
	24B «104x27»	Pg 21	7824.5080.7	7824.5080.5																														
24B «104x27»	Pg 29	7824.5081.7	7824.5081.5																															
32B «77x62»	M 32	7832.5082.5	7832.5082.5																															
32B «77x62»	M 40	7832.5083.5	7832.5083.5																															
32B «77x62»	Pg 29	7832.5085.5	7832.5085.5																															
32B «77x62»	Pg 36	7832.5086.5	7832.5086.5																															

*For threads M40 and Pg29 C = 81 with hoods LS (Large Shape) type
 *Per filettature M40 e Pg29 C = 81 con custodie tipo LS



- Type: STD for standard applications and inserts up to 500V series: S-D, S-DD, S-E, S-ES, S-EP, S-ESHV, S-EE, S-HSB, S-K, S-M, S-EHV crimp.
- Type: STD-HV for standard applications and inserts up to 830V, S-EHV series screw terminal and S-HSB for applications over 500V up to 830V.
- Tipo: STD per applicazioni standard ed inserti fino a 500V serie S-D, S-DD, S-E, S-ES, S-EP, S-ESHV, S-EE, S-HSB, S-K, S-M, S-EHV a crimpare.
- Tipo STD-HV per applicazioni standard ed inserti fino a 830V: serie S-EHV con terminali a vite e S-HSB per applicazioni oltre 500V fino a 830V.
- IP66 / IP69 protection degree
 Grado di protezione IP66 / IP69
- Recommended type for IP68 cable glands
 Tipo raccomandato per pressacavi IP68


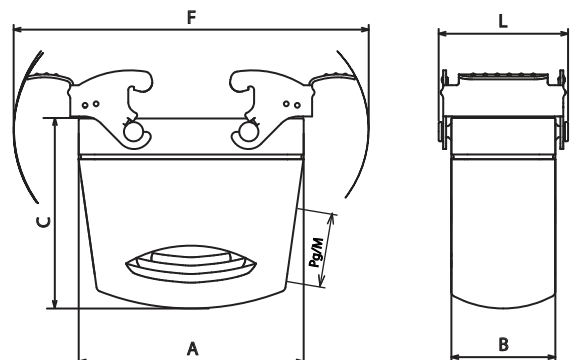
Hoods side entry with two levers <i>Custodie ingresso orizzontale con due leve</i>	Size <i>Grandezza</i>	Thread <i>Filettatura</i>	Type STD-HV	Type STD																								
			Part No. - Codice	Part No. - Codice																								
	10B «57x27»	M 20	7810.5090.2	7810.5090.0																								
	10B «57x27»	M 25	7810.5091.2	7810.5091.0																								
	10B «57x27»	Pg 16	7810.5092.2	7810.5092.0																								
	16B «77x27»	M 25	7816.5093.2	7816.5093.0																								
	16B «77x27»	M 32	7816.5094.2	7816.5094.0																								
	16B «77x27»	Pg 21	7816.5095.2	7816.5095.0																								
	24B «104x27»	M 25	7824.5096.2	7824.5096.0																								
	24B «104x27»	M 32	7824.5097.2	7824.5097.0																								
	24B «104x27»	Pg 21	7824.5098.2	7824.5098.0																								
	24B «104x27»	Pg 29	7824.5099.2	7824.5099.0																								
																												
	<table border="1"> <thead> <tr> <th>Size <i>Grandezza</i></th> <th>A</th> <th>B</th> <th>C</th> <th>F</th> <th>L</th> </tr> </thead> <tbody> <tr> <td>10B «57x27»</td> <td>73.5</td> <td>43.5</td> <td>52</td> <td>127</td> <td>54</td> </tr> <tr> <td>16B «77x27»</td> <td>94</td> <td>43.5</td> <td>63</td> <td>147</td> <td>54</td> </tr> <tr> <td>24B «104x27»</td> <td>120.5</td> <td>43.5</td> <td>63</td> <td>174</td> <td>54</td> </tr> </tbody> </table>					Size <i>Grandezza</i>	A	B	C	F	L	10B «57x27»	73.5	43.5	52	127	54	16B «77x27»	94	43.5	63	147	54	24B «104x27»	120.5	43.5	63	174
Size <i>Grandezza</i>	A	B	C	F	L																							
10B «57x27»	73.5	43.5	52	127	54																							
16B «77x27»	94	43.5	63	147	54																							
24B «104x27»	120.5	43.5	63	174	54																							
<p>  </p> <ul style="list-style-type: none"> - Type: STD for standard applications and inserts up to 500V series: S-D, S-DD, S-E, S-ES, S-EP, S-ESHV, S-EE, S-HSB, S-K, S-M, S-EHV crimp. - Type: STD-HV for standard applications and inserts up to 830V, S-EHV series screw terminal and S-HSB for applications over 500V up to 830V. - Tipo: STD per applicazioni standard ed inserti fino a 500V serie S-D, S-DD, S-E, S-ES, S-EP, S-ESHV, S-EE, S-HSB, S-K, S-M, S-EHV a crimpare. - Tipo STD-HV per applicazioni standard ed inserti fino a 830V: serie S-EHV con terminali a vite e S-HSB per applicazioni oltre 500V fino a 830V. - IP66 / IP69 protection degree Grado di protezione IP66 / IP69 - For IP66 and IP68 cable glands Per pressacavi IP66 e IP68 																												

Hoods side entry with two levers Custodie ingresso orizzontale con due leve	Size Grandezza	Thread Filettatura	Type STD-HV	Type STD																														
			Part No. - Codice	Part No. - Codice																														
 <p>HC - High Construction HC - Costruzione alta</p>  <table border="1" data-bbox="159 1276 766 1500"> <thead> <tr> <th>Size Grandezza</th> <th>A</th> <th>B</th> <th>C</th> <th>F</th> <th>L</th> </tr> </thead> <tbody> <tr> <td>10B «57x27»</td> <td>73.5</td> <td>43.5</td> <td>*80</td> <td>127</td> <td>54</td> </tr> <tr> <td>16B «77x27»</td> <td>94</td> <td>43.5</td> <td>*80</td> <td>147</td> <td>54</td> </tr> <tr> <td>24B «104x27»</td> <td>120.5</td> <td>43.5</td> <td>*80</td> <td>174</td> <td>54</td> </tr> <tr> <td>32B «77x62»</td> <td>94</td> <td>83</td> <td>94</td> <td>147</td> <td>93.5</td> </tr> </tbody> </table>	Size Grandezza	A	B	C	F	L	10B «57x27»	73.5	43.5	*80	127	54	16B «77x27»	94	43.5	*80	147	54	24B «104x27»	120.5	43.5	*80	174	54	32B «77x62»	94	83	94	147	93.5	10B «57x27»	M 32	7810.5100.2	7810.5100.0
	Size Grandezza	A	B	C	F	L																												
	10B «57x27»	73.5	43.5	*80	127	54																												
	16B «77x27»	94	43.5	*80	147	54																												
	24B «104x27»	120.5	43.5	*80	174	54																												
	32B «77x62»	94	83	94	147	93.5																												
	10B «57x27»	M 40	7810.5101.2	7810.5101.0																														
	10B «57x27»	Pg 21	7810.5102.2	7810.5102.0																														
	10B «57x27»	Pg 29	7810.5103.2	7810.5103.0																														
	16B «77x27»	M 32	7816.5104.2	7816.5104.0																														
	16B «77x27»	M 40	7816.5105.2	7816.5105.0																														
	16B «77x27»	Pg 21	7816.5106.2	7816.5106.0																														
	16B «77x27»	Pg 29	7816.5107.2	7816.5107.0																														
	24B «104x27»	M 32	7824.5108.2	7824.5108.0																														
	24B «104x27»	M 40	7824.5109.2	7824.5109.0																														
	24B «104x27»	Pg 21	7824.5110.2	7824.5110.0																														
24B «104x27»	Pg 29	7824.5111.2	7824.5111.0																															
32B «77x62»	M 32	7832.5112.0	7832.5112.0																															
32B «77x62»	M 40	7832.5113.0	7832.5113.0																															
32B «77x62»	Pg 21	7832.5114.0	7832.5114.0																															
32B «77x62»	Pg 29	7832.5115.0	7832.5115.0																															
32B «77x62»	Pg 36	7832.5116.0	7832.5116.0																															





*For threads M40 and Pg29 C = 81 with hoods LS (Large Shape) type
 *Per filettature M40 e Pg29 C = 81 con custodie tipo LS

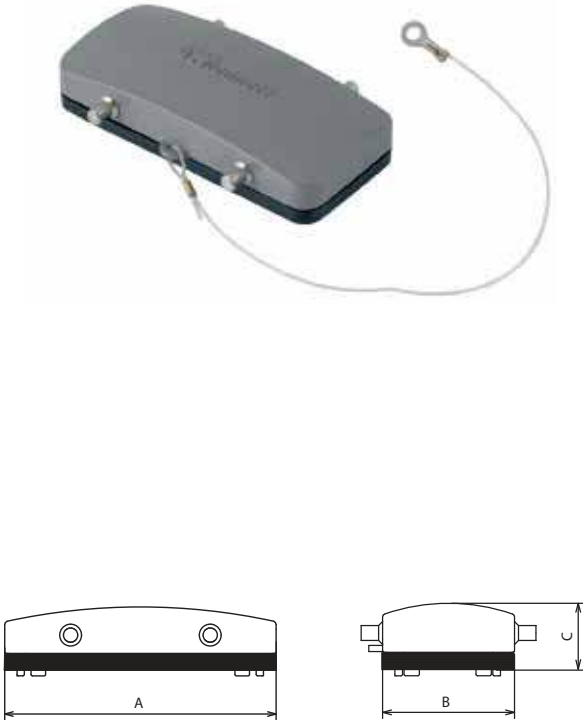


- Type: STD for standard applications and inserts up to 500V series: S-D, S-DD, S-E, S-ES, S-EP, S-ESHV, S-EE, S-HSB, S-K, S-M, S-EHV crimp.
- Type: STD-HV for standard applications and inserts up to 830V, S-EHV series screw terminal and S-HSB for applications over 500V up to 830V.
- Tipo: STD per applicazioni standard ed inserti fino a 500V serie S-D, S-DD, S-E, S-ES, S-EP, S-ESHV, S-EE, S-HSB, S-K, S-M, S-EHV a crimpare.
- Tipo STD-HV per applicazioni standard ed inserti fino a 830V: serie S-EHV con terminali a vite e S-HSB per applicazioni oltre 500V fino a 830V.
- IP66 / IP69 protection degree
 Grado di protezione IP66 / IP69
- For IP66 and IP68 cable glands
 Per pressacavi IP66 e IP68

Hoods side entry with two levers Custodie ingresso orizzontale con due leve	Size Grandezza	Thread Filettatura	Type STD-HV	Type STD																														
			Part No. - Codice	Part No. - Codice																														
 <p>HC - High Construction for IP68 cable glands HC - Costruzione alta per pressacavi IP68</p>  <table border="1" data-bbox="143 1299 766 1512"> <thead> <tr> <th>Size Grandezza</th> <th>A</th> <th>B</th> <th>C</th> <th>F</th> <th>L</th> </tr> </thead> <tbody> <tr> <td>10B «57x27»</td> <td>73.5</td> <td>43.5</td> <td>*80</td> <td>127</td> <td>54</td> </tr> <tr> <td>16B «77x27»</td> <td>94</td> <td>43.5</td> <td>*80</td> <td>147</td> <td>54</td> </tr> <tr> <td>24B «104x27»</td> <td>120.5</td> <td>43.5</td> <td>*80</td> <td>174</td> <td>54</td> </tr> <tr> <td>32B «77x62»</td> <td>94</td> <td>83</td> <td>94</td> <td>147</td> <td>93.5</td> </tr> </tbody> </table>	Size Grandezza	A	B	C	F	L	10B «57x27»	73.5	43.5	*80	127	54	16B «77x27»	94	43.5	*80	147	54	24B «104x27»	120.5	43.5	*80	174	54	32B «77x62»	94	83	94	147	93.5	10B «57x27»	M 32	7810.5100.7	7810.5100.5
	Size Grandezza	A	B	C	F	L																												
	10B «57x27»	73.5	43.5	*80	127	54																												
	16B «77x27»	94	43.5	*80	147	54																												
	24B «104x27»	120.5	43.5	*80	174	54																												
	32B «77x62»	94	83	94	147	93.5																												
	10B «57x27»	M 40	7810.5101.7	7810.5101.5																														
	10B «57x27»	Pg 21	7810.5102.7	7810.5102.5																														
	10B «57x27»	Pg 29	7810.5103.7	7810.5103.5																														
	16B «77x27»	M 32	7816.5104.7	7816.5104.5																														
	16B «77x27»	M 40	7816.5105.7	7816.5105.5																														
	16B «77x27»	Pg 21	7816.5106.7	7816.5106.5																														
	16B «77x27»	Pg 29	7816.5107.7	7816.5107.5																														
	24B «104x27»	M 32	7824.5108.7	7824.5108.5																														
	24B «104x27»	M 40	7824.5109.7	7824.5109.5																														
	24B «104x27»	Pg 21	7824.5110.7	7824.5110.5																														
24B «104x27»	Pg 29	7824.5111.7	7824.5111.5																															
32B «77x62»	M 32	7832.5112.5	7832.5112.5																															
32B «77x62»	M 40	7832.5113.5	7832.5113.5																															
32B «77x62»	Pg 21	7832.5114.5	7832.5114.5																															
32B «77x62»	Pg 29	7832.5115.5	7832.5115.5																															
32B «77x62»	Pg 36	7832.5116.5	7832.5116.5																															


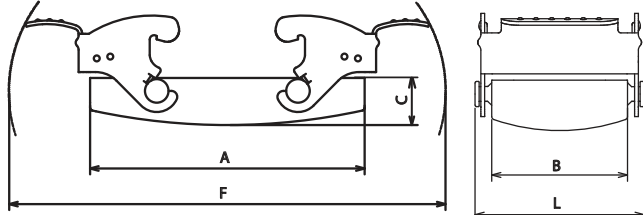
*For threads M40 and Pg29 C = 81 with hoods LS (Large Shape) type
 *Per filettature M40 e Pg29 C = 81 con custodie tipo LS

- 



- Type: STD for standard applications and inserts up to 500V series: S-D, S-DD, S-E, S-ES, S-EP, S-ESHV, S-EE, S-HSB, S-K, S-M, S-EHV crimp.
 - Type: STD-HV for standard applications and inserts up to 830V, S-EHV series screw terminal and S-HSB for applications over 500V up to 830V.
 - Tipo: STD per applicazioni standard ed inserti fino a 500V serie S-D, S-DD, S-E, S-ES, S-EP, S-ESHV, S-EE, S-HSB, S-K, S-M, S-EHV a crimpare.
 - Tipo STD-HV per applicazioni standard ed inserti fino a 830V: serie S-EHV con terminali a vite e S-HSB per applicazioni oltre 500V fino a 830V.
 - IP66 / IP69 protection degree
 Grado di protezione IP66 / IP69
 - Recommended type for IP68 cable glands
 Tipo raccomandato per pressacavi IP68

Covers with 4 pegs with gasket <i>Coperchi con 4 perni con guarnizione</i>	Size <i>Grandezza</i>	Type STD-HV Part No. - Codice	Type STD Part No. - Codice																				
	 <table border="1" data-bbox="247 1438 833 1646"> <thead> <tr> <th>Size <i>Grandezza</i></th> <th>A</th> <th>B</th> <th>C</th> </tr> </thead> <tbody> <tr> <td>10B «57x27»</td> <td>73</td> <td>43</td> <td>22</td> </tr> <tr> <td>16B «77x27»</td> <td>94</td> <td>43</td> <td>22</td> </tr> <tr> <td>24B «104x27»</td> <td>120</td> <td>43</td> <td>23</td> </tr> <tr> <td>32B «77x62»</td> <td>94</td> <td>83</td> <td>24</td> </tr> </tbody> </table>	Size <i>Grandezza</i>	A	B	C	10B «57x27»	73	43	22	16B «77x27»	94	43	22	24B «104x27»	120	43	23	32B «77x62»	94	83	24	10B «57x27»	7810.5120.0
Size <i>Grandezza</i>		A	B	C																			
10B «57x27»		73	43	22																			
16B «77x27»		94	43	22																			
24B «104x27»	120	43	23																				
32B «77x62»	94	83	24																				
16B «77x27»	7816.5121.0	7816.5121.0																					
24B «104x27»	7824.5122.0	7824.5122.0																					
32B «77x62»	7832.5123.0	7832.5123.0																					




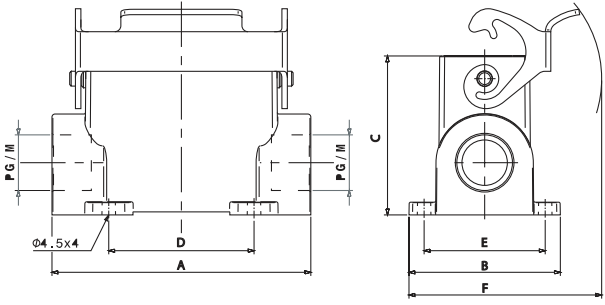
- Type: STD-HV for standard applications and inserts up to 830V, for hoods STD and STD-HV series.
- *Tipo STD-HV per applicazioni standard ed inserti fino a 830V, per custodie mobili serie STD e STD-HV.*
- IP66 / IP69 protection degree
Grado di protezione IP66 / IP69

Covers with 2 levers without gasket <i>Coperchi con 2 leve senza guarnizione</i>	Size <i>Grandezza</i>	Type STD-HV Part No. - Codice	Type STD Part No. - Codice																														
	  <table border="1" data-bbox="220 1433 853 1646"> <thead> <tr> <th>Size <i>Grandezza</i></th> <th>A</th> <th>B</th> <th>C</th> <th>F</th> <th>L</th> </tr> </thead> <tbody> <tr> <td>10B «57x27»</td> <td>73</td> <td>43</td> <td>16</td> <td>127</td> <td>54</td> </tr> <tr> <td>16B «77x27»</td> <td>94</td> <td>43</td> <td>16</td> <td>147</td> <td>54</td> </tr> <tr> <td>24B «104x27»</td> <td>120</td> <td>43</td> <td>17</td> <td>174</td> <td>54</td> </tr> <tr> <td>32B «77x62»</td> <td>94</td> <td>83</td> <td>18</td> <td>147</td> <td>93.5</td> </tr> </tbody> </table>	Size <i>Grandezza</i>	A	B	C	F	L	10B «57x27»	73	43	16	127	54	16B «77x27»	94	43	16	147	54	24B «104x27»	120	43	17	174	54	32B «77x62»	94	83	18	147	93.5	10B «57x27»	7810.5124.0
Size <i>Grandezza</i>		A	B	C	F	L																											
10B «57x27»		73	43	16	127	54																											
16B «77x27»		94	43	16	147	54																											
24B «104x27»	120	43	17	174	54																												
32B «77x62»	94	83	18	147	93.5																												
16B «77x27»	7816.5125.0	7816.5125.0																															
24B «104x27»	7824.5126.0	7824.5126.0																															
32B «77x62»	7832.5127.0	7832.5127.0																															







- Type: STD-HV for standard applications and inserts up to 830V, for hoods STD and STD-HV series.
- *Tipo STD-HV per applicazioni standard ed inserti fino a 830V, per custodie mobili serie STD e STD-HV.*
- IP66 / IP69 protection degree
Grado di protezione IP66 / IP69




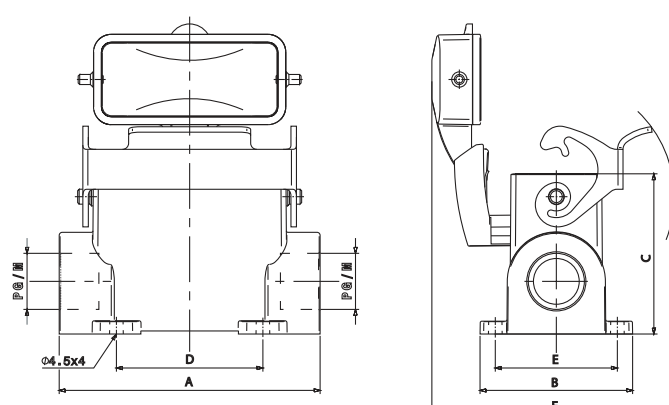
Surface mounting housings Custodie da parete		Size Grandezza	Thread Filettatura	No. of poles No. poli *	Part No. Codice
 <p style="color: red; text-align: center;">For harsh environmental requirements Per ambienti aggressivi</p> 		10A «49x16»	M 20	10	7810.4501.1
		10A «49x16»	M 20X2	10	7810.4502.1
		10A «49x16»	M 25	10	7810.4503.1
		10A «49x16»	M 25X2	10	7810.4504.1
		10A «49x16»	Pg 16	10	7810.4505.1
		10A «49x16»	Pg 16X2	10	7810.4506.1
		10A «49x16»	Pg 21	10	7810.4507.1
		10A «49x16»	Pg 21X2	10	7810.4508.1
		16A «66x16»	M 20	16	7816.4521.1
		16A «66x16»	M 20X2	16	7816.4522.1
		16A «66x16»	M 25	16	7816.4523.1
		16A «66x16»	M 25X2	16	7816.4524.1
		16A «66x16»	Pg 16	16	7816.4525.1
		16A «66x16»	Pg 16X2	16	7816.4526.1
		16A «66x16»	Pg 21	16	7816.4527.1
		16A «66x16»	Pg 21X2	16	7816.4528.1

Size Grandezza	Poles Poli *	A	B	C	D	E	F
10A «49x16»	10	85,5	50	52,5	48	40	63,6
16A «66x16»	16	102	50	57	64	40	63,6










- Type: HE for harsh environmental requirements and inserts up to 500V series: S-A, S-D
 Tipo: HE per ambienti aggressivi ed inserti fino a 500V serie: S-A, S-D
- 1 entry or 2 entries
 1 o 2 ingressi
- IP66 / IP69 protection degree
 Grado di protezione IP66 / IP69

* Number of poles with S-A inserts
 Numero di poli con inserti S-A


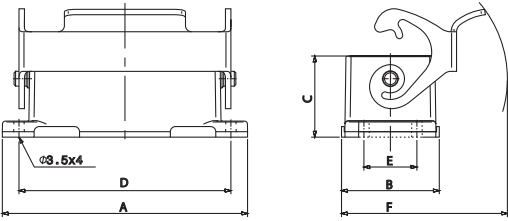
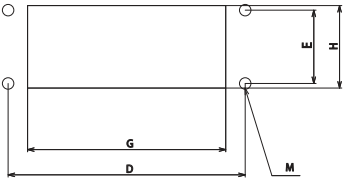
Surface mounting housings with cover <i>Custodie da parete con coperchio</i>		Size <i>Grandezza</i>	Thread <i>Filettatura</i>	No. of poles <i>No. poli *</i>	Part No. <i>Codice</i>
 <p style="color: red; text-align: center;">For harsh environmental requirements <i>Per ambienti aggressivi</i></p> 		10A «49x16»	M 20	10	7810.4511.1
		10A «49x16»	M 20X2	10	7810.4512.1
		10A «49x16»	M 25	10	7810.4513.1
		10A «49x16»	M 25X2	10	7810.4514.1
		10A «49x16»	Pg 16	10	7810.4515.1
		10A «49x16»	Pg 16X2	10	7810.4516.1
		10A «49x16»	Pg 21	10	7810.4517.1
		10A «49x16»	Pg 21X2	10	7810.4518.1
		16A «66x16»	M 20	16	7816.4531.1
		16A «66x16»	M 20X2	16	7816.4532.1
		16A «66x16»	M 25	16	7816.4533.1
		16A «66x16»	M 25X2	16	7816.4534.1
		16A «66x16»	Pg 16	16	7816.4535.1
		16A «66x16»	Pg 16X2	16	7816.4536.1
		16A «66x16»	Pg 21	16	7816.4537.1
		16A «66x16»	Pg 21X2	16	7816.4538.1

Size <i>Grandezza</i>	Poles <i>Poli *</i>	A	B	C	D	E	F
10A «49x16»	10	85,5	50	52,5	48	40	79,4
16A «66x16»	16	102	50	57	64	40	79,4










- **Type:** HE for harsh environmental requirements and inserts up to 500V series: S-A, S-D
Tipo: HE per ambienti aggressivi ed inserti fino a 500V serie: S-A, S-D
- Metal cover with stainless steel lever, spring, screws and pegs.
Coperchio metallico con leva, molla, viti e perni in acciaio inox
- 1 entry or 2 entries
1 o 2 ingressi
- IP66 / IP69 protection degree
Grado di protezione IP66 / IP69


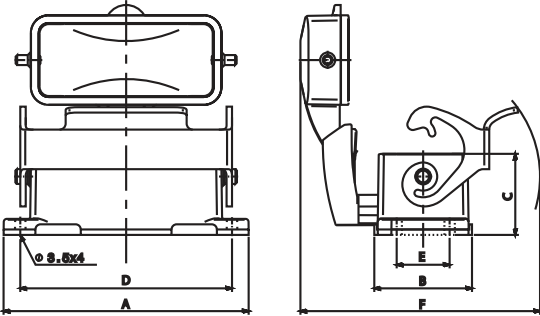
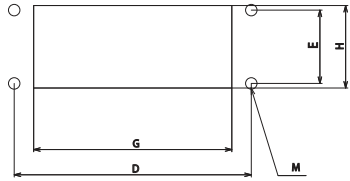
* Number of poles with S-A inserts
Numero di poli con inserti S-A

Bulkhead mounting housings Custodie da incasso		Size Grandezza	No. of poles No. poli *	Part No. Codice
 <p style="text-align: center; color: red;">For harsh environmental requirements Per ambienti aggressivi</p>   <p>Panel cut out Foratura del pannello</p>		10A «49x16»	10	7810.4541.1
		16A «66x16»	16	7816.4543.1





Size Grandezza	Poles Poli *	A	B	C	D	E	F	G	H	M
10A «49x16»	10	81	32,3	26,8	70	17,5	54,8	57	24	3,5
16A «66x16»	16	96	32,3	26,8	86	17,5	54,8	73	24	3,5

- **Type:** HE for harsh environmental requirements and inserts up to 500V series: S-A, S-D
Tipo: HE per ambienti aggressivi ed inserti fino a 500V serie: S-A, S-D
- IP66 / IP69 protection degree
 Grado di protezione IP66 / IP69
- * Number of poles with S-A inserts
 Numero di poli con inserti S-A


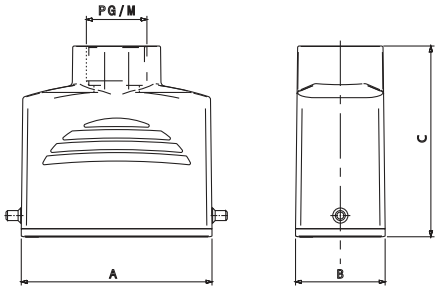
Bulkhead mounting housings with cover <i>Custodie da incasso con coperchio</i>		Size <i>Grandezza</i>	No. of poles <i>No. poli *</i>	Part No. <i>Codice</i>
 <p style="text-align: center; color: red;">For harsh environmental requirements <i>Per ambienti aggressivi</i></p>  <p style="text-align: center;">Panel cut out <i>Foratura del pannello</i></p> 		10A «49x16»	10	7810.4542.1
		16A «66x16»	16	7816.4544.1

Size <i>Grandezza</i>	Poles <i>Poli *</i>	A	B	C	D	E	F	G	H	M
10A «49x16»	10	81	32,3	26,8	70	17,5	79,4	57	24	3,5
16A «66x16»	16	96	32,3	26,8	86	17,5	79,4	73	24	3,5










- Type: HE for harsh environmental requirements and inserts up to 500V series: S-A, S-D
Tipo: HE per ambienti aggressivi ed inserti fino a 500V serie: S-A, S-D
- Metal cover with stainless steel lever, spring, screws and pegs.
Coperchio metallico con leva, molla, viti e perni in acciaio inox
- IP66 / IP69 protection degree
Grado di protezione IP66 / IP69

* Number of poles with S-A inserts
Numero di poli con inserti S-A


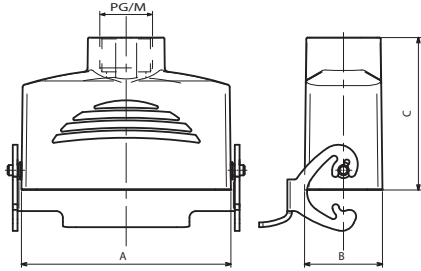




Hoods top entry with 2 pegs for one lever Custodie con ingresso verticale con 2 perni per una leva		Size Grandezza	Thread Filettatura	No. of poles No. poli *	Part No. Codice
 <p style="color: red; text-align: center;">For harsh environmental requirements Per ambienti aggressivi</p> 		10A «49x16»	M 20	10	7810.4550.1
		10A «49x16»	M 25	10	7810.4551.1
		10A «49x16»	Pg 13,5	10	7810.4552.1
		10A «49x16»	Pg 16	10	7810.4553.1
		16A «66x16»	M 20	16	7816.4555.1
		16A «66x16»	M 25	16	7816.4556.1
		16A «66x16»	Pg 13,5	16	7816.4557.1
		16A «66x16»	Pg 16	16	7816.4558.1


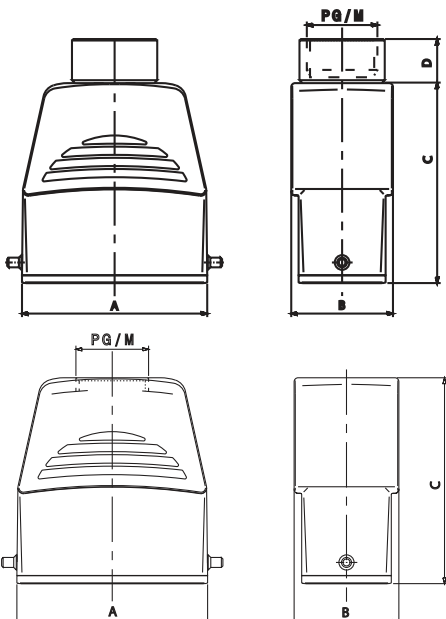

Size Grandezza	Poles Poli *	A	B	C
10A «49x16»	10	63	29,6	63
16A «66x16»	16	79,5	29,5	63


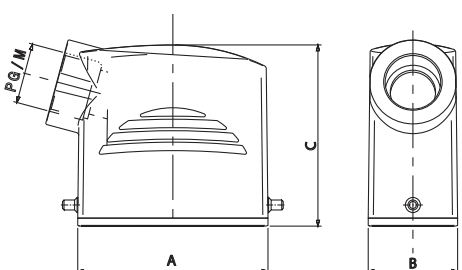





- **Type:** HE for harsh environmental requirements and inserts up to 500V series: S-A, S-D
- Tipo:** HE per ambienti aggressivi ed inserti fino a 500V serie: S-A, S-D
- IP66 / IP69 protection degree
Grado di protezione IP66 / IP69
- For IP66 and IP68 cable glands
Per pressacavi IP66 e IP68





* Number of poles with S-A inserts
Numero di poli con inserti S-A

Hoods top entry with 2 pegs for one lever Custodie con ingresso verticale con 2 perni per una leva		Size Grandezza	Thread Filettatura	No. of poles No. poli *	Part No. Codice														
		10A «49x16»	M 20	10	7810.4490.1														
		10A «49x16»	M 25	10	7810.4491.1														
		10A «49x16»	Pg 13,5	10	7810.4492.1														
		10A «49x16»	Pg 16	10	7810.4493.1														
		16A «66x16»	M 20	16	7816.4994.1														
		16A «66x16»	M 25	16	7816.4995.1														
		16A «66x16»	Pg 13,5	16	7816.4996.1														
		16A «66x16»	Pg 16	16	7816.4997.1														
																			
<table border="1"> <thead> <tr> <th>Size Grandezza</th> <th>Poles Poli *</th> <th>A</th> <th>B</th> <th>C</th> </tr> </thead> <tbody> <tr> <td>10A «49x16»</td> <td>10</td> <td>63</td> <td>29,6</td> <td>58</td> </tr> <tr> <td>16A «66x16»</td> <td>16</td> <td>79,5</td> <td>29,6</td> <td>58</td> </tr> </tbody> </table>					Size Grandezza	Poles Poli *	A	B	C	10A «49x16»	10	63	29,6	58	16A «66x16»	16	79,5	29,6	58
Size Grandezza	Poles Poli *	A	B	C															
10A «49x16»	10	63	29,6	58															
16A «66x16»	16	79,5	29,6	58															
<p>     </p> <ul style="list-style-type: none"> - Type: HE for harsh environmental requirements and inserts up to 500V series: S-A, S-D Tipo: HE per ambienti aggressivi ed inserti fino a 500V serie: S-A, S-D - IP66 / IP69 protection degree Grado di protezione IP66 / IP69 - For IP66 and IP68 cable glands Per pressacavi IP66 e IP68 <p>* Number of poles with S-A inserts Numero di poli con inserti S-A</p>																			

Hoods top entry with 2 pegs for one lever Custodie con ingresso verticale con 2 perni per una leva		Size Grandezza	Thread Filettatura	No. of poles No. poli *	Part No. Codice											
With threaded fitting part No. "1" Con raccordo filettato cod. "1"	Without threaded fitting part No. "6" Senza raccordo filettato cod. "6"	10A «49x16»	M 20	10	7810.4561.1											
		10A «49x16»	M 25	10	7810.4562.1											
		10A «49x16»	Pg 16	10	7810.4563.1											
		10A «49x16»	Pg 21	10	7810.4564.1											
		10A «49x16»	*	10	7810.4565.1											
		10A «49x16»	M 20	10	7810.4561.6											
		10A «49x16»	M 25	10	7810.4562.6											
		10A «49x16»	Pg 16	10	7810.4563.6											
		10A «49x16»	Pg 21	10	7810.4564.6											
		 <p style="text-align: center; color: red;">For harsh environmental requirements Per ambienti aggressivi</p>														
			<table border="1"> <thead> <tr> <th>Thread Filettatura</th> <th>D</th> </tr> </thead> <tbody> <tr> <td>M 20</td> <td>12</td> </tr> <tr> <td>M 25</td> <td>13</td> </tr> <tr> <td>Pg16</td> <td>12</td> </tr> <tr> <td>Pg21</td> <td>13</td> </tr> </tbody> </table>	Thread Filettatura	D	M 20	12	M 25	13	Pg16	12	Pg21	13			
	Thread Filettatura	D														
	M 20	12														
	M 25	13														
	Pg16	12														
	Pg21	13														
	16A «66x16»	M 20	16	7816.4566.1												
	16A «66x16»	M 25	16	7816.4567.1												
	16A «66x16»	Pg 16	16	7816.4568.1												
	16A «66x16»	Pg 21	16	7816.4569.1												
16A «66x16»	*	16	7816.4570.1													
16A «66x16»	M 20	16	7816.4566.6													
16A «66x16»	M 25	16	7816.4567.6													
16A «66x16»	Pg 16	16	7816.4568.6													
16A «66x16»	Pg 21	16	7816.4569.6													
<p>HC - High construction HC - Costruzione alta</p> <table border="1"> <thead> <tr> <th>Size Grandezza</th> <th>A</th> <th>B</th> <th>C</th> </tr> </thead> <tbody> <tr> <td>10A «49x16»</td> <td>63</td> <td>34,6</td> <td>68</td> </tr> <tr> <td>16A «66x16»</td> <td>79,5</td> <td>34,6</td> <td>71</td> </tr> </tbody> </table>		Size Grandezza	A	B	C	10A «49x16»	63	34,6	68	16A «66x16»	79,5	34,6	71			
Size Grandezza	A	B	C													
10A «49x16»	63	34,6	68													
16A «66x16»	79,5	34,6	71													
																
<p>- Type: HE for harsh environmental requirements and inserts up to 500V series: S-A, S-D Tipo: HE per ambienti aggressivi ed inserti fino a 500V serie: S-A, S-D</p> <p>- With threaded fitting for IP66 and IP68 cable gland, part number "1" Con raccordo filettato per pressacavi IP66 e IP68, codice "1"</p> <p>- Without threaded fitting recommended for IP68 cable glands, part no. "6" Senza raccordo filettato raccomandato per pressacavi IP68, codice "6"</p> <p>- IP66 / IP69 protection degree Grado di protezione IP66 / IP69</p>																
<p>* Without cable entry Senza ingresso cavi</p> <p>* Number of poles with S-A inserts Numero di poli con inserti S-A</p>																


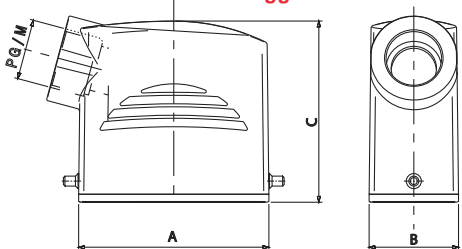

Hoods side entry with 2 pegs for one lever <i>Custodie con ingresso orizzontale con 2 perni per una leva</i>		Size <i>Grandezza</i>	Thread <i>Filettatura</i>	No. of poles <i>No. poli *</i>	Part No. <i>Codice</i>
 <p style="color: red; text-align: center;">For harsh environmental requirements Per ambienti aggressivi</p> 		10A «49x16»	M 20	10	7810.4571.1
		10A «49x16»	M 25	10	7810.4572.1
		10A «49x16»	Pg 16	10	7810.4573.1
		16A «66x16»	M 20	16	7816.4575.1
		16A «66x16»	M 25	16	7816.4576.1
		16A «66x16»	Pg 16	16	7816.4577.1

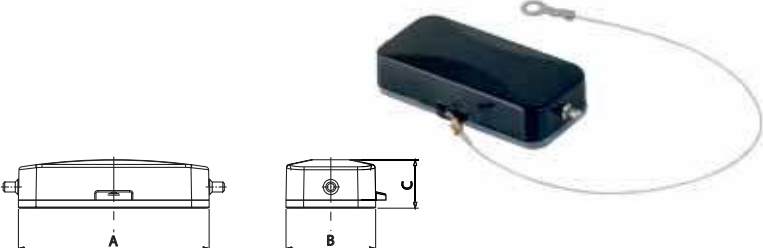

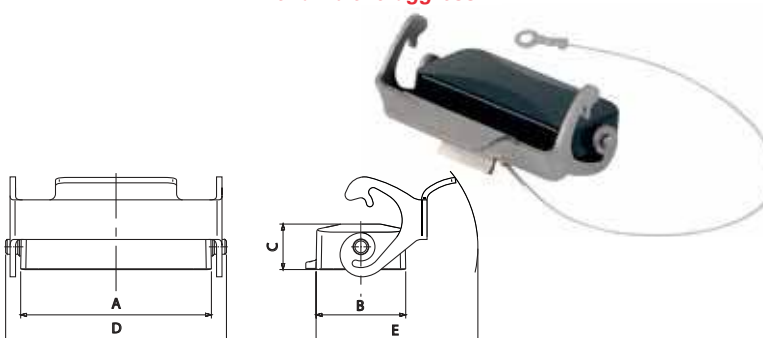

Size <i>Grandezza</i>	Poles <i>Poli *</i>	A	B	C
10A «49x16»	10	63	29,6	60
16A «66x16»	16	79,5	29,6	60

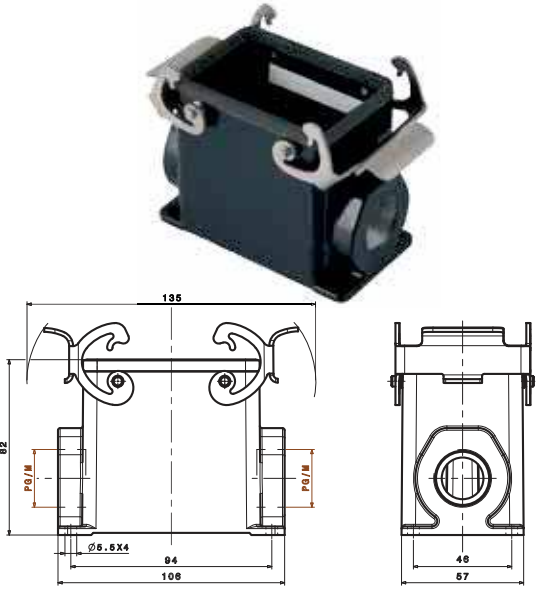
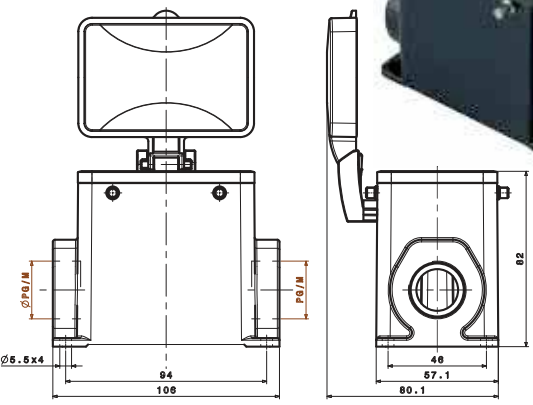







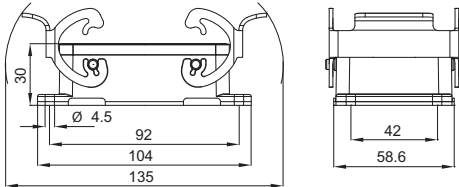

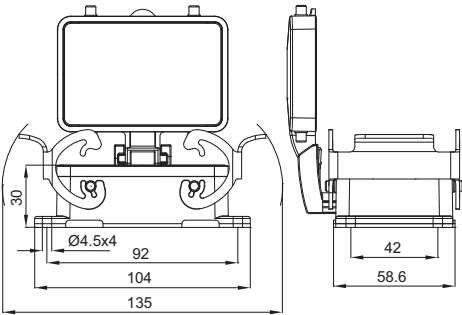

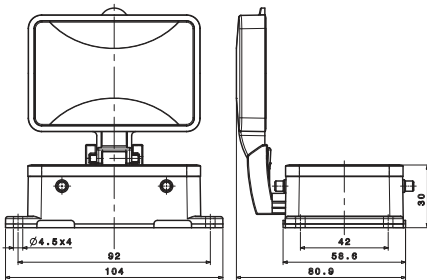
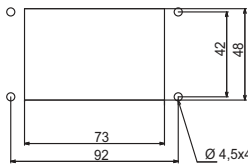
- Type: HE for harsh environmental requirements and inserts up to 500V series: S-A, S-D
Tipo: HE per ambienti aggressivi ed inserti fino a 500V serie: S-A, S-D
- IP66 / IP69 protection degree
Grado di protezione IP66 / IP69
- For IP66 and IP68 cable glands
Per pressacavi IP66 e IP68


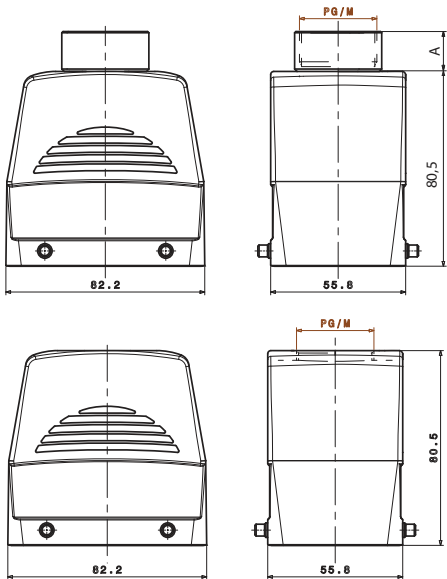
* Number of poles with S-A inserts
Numero di poli con inserti S-A


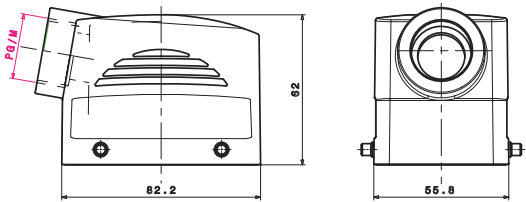

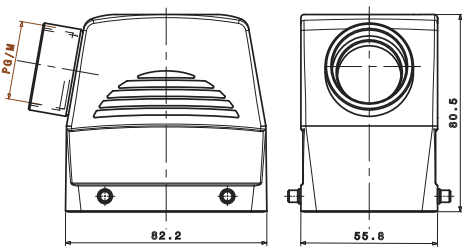

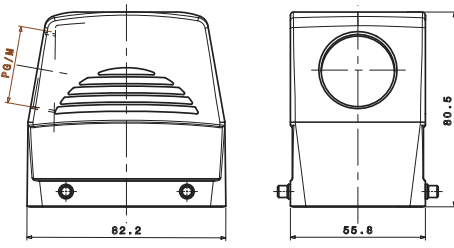
Hoods side entry with 2 pegs for one lever <i>Custodie con ingresso orizzontale con 2 perni per una leva</i>	Size <i>Grandezza</i>	Thread <i>Filettatura</i>	No. of poles <i>No. poli *</i>	Part No. <i>Codice</i>												
With threaded fitting part No. "1" <i>Con raccordo filettato cod. "1"</i>	10A «49x16»	M 20	10	7810.4581.1												
Without threaded fitting part No. "6" <i>Senza raccordo filettato cod. "6"</i>	10A «49x16»	M 25	10	7810.4582.1												
	10A «49x16»	Pg 16	10	7810.4583.1												
	10A «49x16»	Pg 21	10	7810.4584.1												
	10A «49x16»	M 20	10	7810.4581.6												
	10A «49x16»	M 25	10	7810.4582.6												
	10A «49x16»	Pg 16	10	7810.4583.6												
	10A «49x16»	Pg 21	10	7810.4584.6												
For harsh environmental requirements <i>Per ambienti aggressivi</i>																
	16A «66x16»	M 20	16	7816.4586.1												
	16A «66x16»	M 25	16	7816.4587.1												
	16A «66x16»	Pg 16	16	7816.4588.1												
	16A «66x16»	Pg 21	16	7816.4589.1												
	16A «66x16»	M 20	16	7816.4586.6												
	16A «66x16»	M 25	16	7816.4587.6												
	16A «66x16»	Pg 16	16	7816.4588.6												
	16A «66x16»	Pg 21	16	7816.4589.6												
HC - High construction <i>HC - Costruzione alta</i>																
<table border="1" data-bbox="191 1400 726 1534"> <thead> <tr> <th>Size <i>Grandezza</i></th> <th>A</th> <th>B</th> <th>C</th> </tr> </thead> <tbody> <tr> <td>10A «49x16»</td> <td>63</td> <td>34,6</td> <td>68</td> </tr> <tr> <td>16A «66x16»</td> <td>79,5</td> <td>34,6</td> <td>71</td> </tr> </tbody> </table>	Size <i>Grandezza</i>	A	B	C	10A «49x16»	63	34,6	68	16A «66x16»	79,5	34,6	71				
Size <i>Grandezza</i>	A	B	C													
10A «49x16»	63	34,6	68													
16A «66x16»	79,5	34,6	71													
																
- Type: HE for harsh environmental requirements and inserts up to 500V series: S-A, S-D <i>Tipo: HE per ambienti aggressivi ed inserti fino a 500V serie: S-A, S-D</i>																
- With threaded fitting for IP66 and IP68 cable gland, part number "1" <i>Con raccordo filettato per pressacavi IP66 e IP68, codice "1"</i>																
- Without threaded fitting recommended for IP68 cable glands, partno. "6" <i>Senza raccordo filettato raccomandato per pressacavi IP68, codice "6"</i>																
- IP66 / IP69 protection degree <i>Grado di protezione IP66 / IP69</i>																
* Number of poles with S-A inserts <i>Numero di poli con inserti S-A</i>																


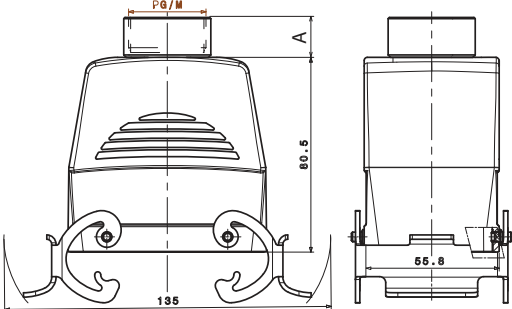
Covers with 2 pegs and gasket for housings with one lever <i>Coperchi con 2 perni e guarnizione per custodie con una leva</i>	Size <i>Grandezza</i>	No. of poles <i>No. poli *</i>	Part No. <i>Codice</i>																		
<p style="text-align: center;">For harsh environmental requirements <i>Per ambienti aggressivi</i></p>  <table border="1" data-bbox="255 649 821 784"> <thead> <tr> <th>Size <i>Grandezza</i></th> <th>A</th> <th>B</th> <th>C</th> </tr> </thead> <tbody> <tr> <td>10A «49x16»</td> <td>63</td> <td>29,6</td> <td>16</td> </tr> <tr> <td>16A «66x16»</td> <td>79,5</td> <td>29,6</td> <td>16</td> </tr> </tbody> </table> <p>  </p> <ul style="list-style-type: none"> - Type: HE for harsh environmental requirements and inserts up to 500V for housings with one lever <i>Tipo: HE per ambienti aggressivi ed inserti fino a 500V per custodie con una leva</i> - IP66 / IP69 protection degree <i>Grado di protezione IP66 / IP69</i> * Number of poles with S-A inserts <i>Numero di poli con inserti S-A</i> 	Size <i>Grandezza</i>	A	B	C	10A «49x16»	63	29,6	16	16A «66x16»	79,5	29,6	16	<p>10A «49x16» 16A «66x16»</p>	<p>10 16</p>	<p>7810.4591.1 7816.4592.1</p>						
Size <i>Grandezza</i>	A	B	C																		
10A «49x16»	63	29,6	16																		
16A «66x16»	79,5	29,6	16																		
Covers with one lever for hoods with 2 pegs <i>Coperchi con una leva per custodie mobili con 2 perni</i>	Size <i>Grandezza</i>	No. of poles <i>No. poli *</i>	Part No. <i>Codice</i>																		
<p style="text-align: center;">For harsh environmental requirements <i>Per ambienti aggressivi</i></p>  <table border="1" data-bbox="263 1635 813 1769"> <thead> <tr> <th>Size <i>Grandezza</i></th> <th>A</th> <th>B</th> <th>C</th> <th>D</th> <th>E</th> </tr> </thead> <tbody> <tr> <td>10A «49x16»</td> <td>63</td> <td>29,6</td> <td>15</td> <td>73</td> <td>54</td> </tr> <tr> <td>16A «66x16»</td> <td>79,5</td> <td>29,6</td> <td>15</td> <td>90</td> <td>54</td> </tr> </tbody> </table> <p>  </p> <ul style="list-style-type: none"> - Type: HE for harsh environmental requirements and inserts up to 500V for housings with one lever <i>Tipo: HE per ambienti aggressivi ed inserti fino a 500V per custodie con una leva</i> - IP66 / IP69 protection degree <i>Grado di protezione IP66 / IP69</i> * Number of poles with S-A inserts <i>Numero di poli con inserti S-A</i> 	Size <i>Grandezza</i>	A	B	C	D	E	10A «49x16»	63	29,6	15	73	54	16A «66x16»	79,5	29,6	15	90	54	<p>10A «49x16» 16A «66x16»</p>	<p>10 16</p>	<p>7810.4594.1 7816.4595.1</p>
Size <i>Grandezza</i>	A	B	C	D	E																
10A «49x16»	63	29,6	15	73	54																
16A «66x16»	79,5	29,6	15	90	54																


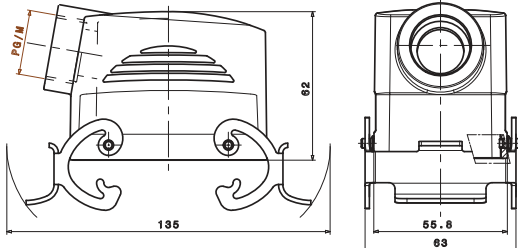

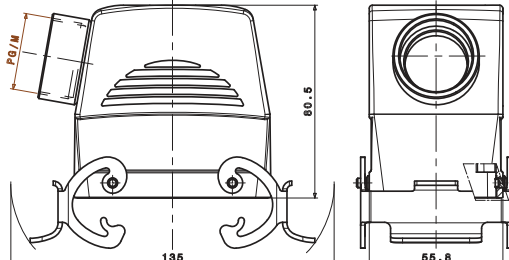

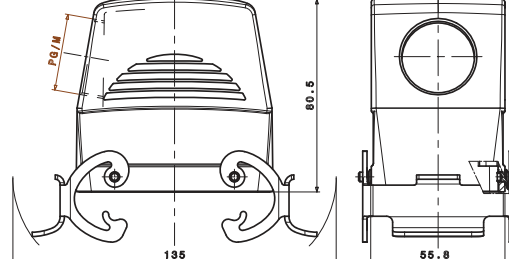
Surface mounting housings, size 32A «66x40» Custodie da parete, grandezza 32A «66x40»	Locking system Sistema di chiusura	Thread Filettatura	No. of poles No. poli *	Part No. Codice
 <p style="color: red; text-align: center;">For harsh environmental requirements Per ambienti aggressivi</p>	<p>With double lever Con doppia leva</p>	<p>M 25 M 25X2 M 32 M 32X2 M 40 M 40x2 Pg 21 Pg 21X2 Pg 29 Pg 29X2</p>	<p>32 32 32 32 32 32 32 32 32 32</p>	<p>7832.4600.1 7832.4601.1 7832.4602.1 7832.4603.1 7832.4604.1 7832.4605.1 7832.4606.1 7832.4607.1 7832.4608.1 7832.4609.1</p>
	<p>Reversed with 4 pegs and cover Rovesciato con 4 pioli e coperchio</p>	<p>M 25 M 25X2 M 32 M 32X2 M 40 M 40x2 Pg 21 Pg 21X2 Pg 29 Pg 29X2</p>	<p>32 32 32 32 32 32 32 32 32 32</p>	<p>7832.4610.1 7832.4611.1 7832.4612.1 7832.4613.1 7832.4614.1 7832.4615.1 7832.4616.1 7832.4617.1 7832.4618.1 7832.4619.1</p>
<p>  </p> <ul style="list-style-type: none"> - Type: HE for harsh environmental requirements and inserts up to 500V series: S-A, S-D Tipo: HE per ambienti aggressivi ed inserti fino a 500V serie: S-A, S-D - IP66/IP69 protection degree, with locking levers only Grado di protezione IP66/IP69, solo con leve di chiusura - Metal cover with stainless steel lever, spring, screws and pegs. Coperchio metallico con leva, molla, viti e perni in acciaio inox - 1 entry or 2 entries 1 o 2 ingressi <p>* Number of poles with S-A inserts Numero di poli con inserti S-A</p> <p>Remarks: The enclosures assure an IP66/IP69 degree of protection when coupled and blocked by the levers. The cover only provides mechanical protection and does not assure an IP degree of protection.</p> <p>Avvertenza: Le custodie garantiscono il grado di protezione IP66/IP69 quando sono accoppiate e bloccate tramite le leve di chiusura. Il coperchio determina solo una protezione meccanica senza assicurare il grado di protezione IP.</p>				



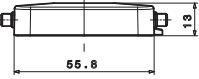
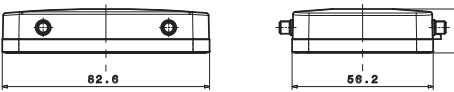
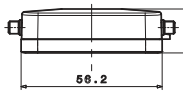


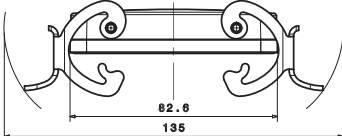
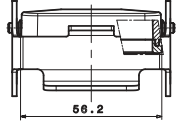
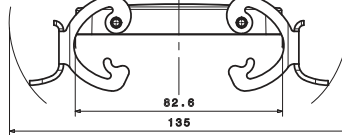
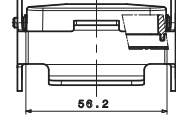

Bulkhead mounting housings, size 32A «66x40» Custodie da incasso , grandezza 32A «66x40»	No. of poles No. poli *	Part No. Codice
<p>With double lever Con doppia leva</p> <p style="text-align: center;">For harsh environmental requirements <i>Per ambienti aggressivi</i></p>   <p>With double levers and cover Con doppia leva e coperchio</p>  	<p>32</p> <p>32</p>	<p>With double levers Con doppia leva</p> <p>7832.4631.1</p> <p>With double levers and cover Con doppia leva e coperchio</p> <p>7832.4705.1</p> <p>IP66 protection degree Grado di protezione IP66</p>
<p>Reversed with 4 pegs and cover Rovesciata con 4 perni e coperchio</p>  	<p>32</p>	<p>7832.4633.1</p> <p>Reversed with 4 pegs and cover Rovesciata con 4 perni e coperchio</p>
<p>CE (RoHS) cUL US Type 4/4x/12 cSP</p> <ul style="list-style-type: none"> - Type: HE for harsh environmental requirements and inserts up to 500V series: S-A, S-D Tipo: HE per ambienti aggressivi ed inserti fino a 500V serie: S-A, S-D - IP66/IP69 protection degree, with locking levers only Grado di protezione IP66/IP69, solo con leve di chiusura - Metal cover with stainless steel lever, spring, screws and pegs. Coperchio metallico con leva, molla, viti e perni in acciaio inox <p>* Number of poles with S-A inserts Numero di poli con inserti S-A</p>  <p>Panel cut out Foratura del pannello</p>		<p>Remarks: The enclosures assure an IP66/ IP69 degree of protection when coupled and blocked by the levers. The cover only provides mechanical protection and does not assure an IP degree of protection.</p> <p>Avvertenza: Le custodie garantiscono il grado di protezione IP66/IP69 quando sono accoppiate e bloccate tramite le leve di chiusura. Il coperchio determina solo una protezione meccanica senza assicurare il grado di protezione IP.</p>

Hoods top entry with 4 pegs for 2 levers, size 32A «66x40» Custodie con ingresso verticale con 4 perni per 2 leve, grandezza 32A «66x40»	Thread Filettatura	No. of poles No. poli *	Part No. Codice										
<p style="text-align: center;">For harsh environmental requirements <i>Per ambienti aggressivi</i></p>  <p>With threaded fitting part No. "1" Con raccordo filettato cod. "1"</p> <p>Without threaded fitting part No. "6" For IP68 metal cable gland Senza raccordo filettato cod. "6" Per pressacavi IP68</p> <p>HC - High construction HC - Costruzione alta</p>  <table border="1" data-bbox="727 1070 935 1279"> <thead> <tr> <th>Thread Filettatura</th> <th>A</th> </tr> </thead> <tbody> <tr> <td>M 25</td> <td>13</td> </tr> <tr> <td>M 32</td> <td>14,5</td> </tr> <tr> <td>Pg21</td> <td>13</td> </tr> <tr> <td>Pg29</td> <td>14,5</td> </tr> </tbody> </table>	Thread Filettatura	A	M 25	13	M 32	14,5	Pg21	13	Pg29	14,5	<p>M 25</p> <p>M 32</p> <p>Pg 21</p> <p>Pg 29</p>	<p>32</p> <p>32</p> <p>32</p> <p>32</p>	<p>With threaded fitting Con raccordo filettato</p> <p>7832.4641.1</p> <p>7832.4642.1</p> <p>7832.4643.1</p> <p>7832.4644.1</p>
Thread Filettatura	A												
M 25	13												
M 32	14,5												
Pg21	13												
Pg29	14,5												
<p>CE (RoHS) cUL US Type 4/4x/12 SP US</p> <ul style="list-style-type: none"> - Type: HE for harsh environmental requirements and inserts up to 500V series: S-A, S-D Tipo: HE per ambienti aggressivi ed inserti fino a 500V serie: S-A, S-D - IP66 / IP69 protection degree Grado di protezione IP66 / IP69 - With threaded fitting for IP66 and IP68 cable gland, part number "1" Con raccordo filettato per pressacavi IP66 e IP68, codice "1" - Without threaded fitting recommended for IP68 cable glands, part no. "6" Senza raccordo filettato raccomandato per pressacavi IP68, codice "6" <p>* Number of poles with S-A inserts Numero di poli con inserti S-A</p>	<p>M 25</p> <p>M 32</p> <p>Pg 21</p> <p>Pg 29</p>	<p>32</p> <p>32</p> <p>32</p> <p>32</p>	<p>Without threaded fitting Senza raccordo filettato</p> <p>7832.4641.6</p> <p>7832.4642.6</p> <p>7832.4643.6</p> <p>7832.4644.6</p>										


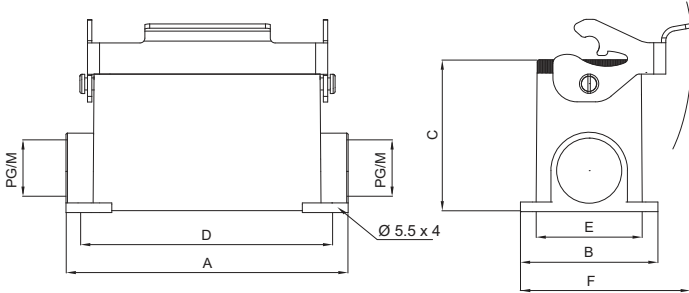
Hoods side entry with 4 pegs for 2 levers, size 32A «66x40» Custodie con ingresso orizzontale con 4 perni per 2 leve, grandezza 32A «66x40»	Thread Filettatura	No. of poles No. poli *	Part No. Codice
<p style="color: red; text-align: center;">For harsh environmental requirements Per ambienti aggressivi</p>  	<p>M 25</p> <p>M 32</p> <p>Pg 21</p>	<p>32</p> <p>32</p> <p>32</p>	<p>7832.4647.1</p> <p>7832.4648.1</p> <p>7832.4649.1</p>
<p>HC - High construction HC - Costruzione alta</p>  	<p>M 25</p> <p>M 32</p> <p>Pg 21</p> <p>Pg 29</p>	<p>32</p> <p>32</p> <p>32</p> <p>32</p>	<p style="text-align: center;">With threaded fitting Con raccordo filettato</p> <p>7832.4651.1</p> <p>7832.4652.1</p> <p>7832.4653.1</p> <p>7832.4654.1</p>
  <p>CE (RoHS) c UL US Type 4/4x/12 CSA</p> <ul style="list-style-type: none"> - Type: HE for harsh environmental requirements and inserts up to 500V series: S-A, S-D Tipo: HE per ambienti aggressivi ed inserti fino a 500V serie: S-A, S-D - IP66 / IP69 protection degree Grado di protezione IP66 / IP69 - With threaded fitting for IP66 and IP68 cable gland, part number "1" Con raccordo filettato per pressacavi IP66 e IP68, codice "1" - Without threaded fitting recommended for IP68 cable glands, part no. "6" Senza raccordo filettato raccomandato per pressacavi IP68, codice "6" <p>* Number of poles with S-A inserts Numero di poli con inserti S-A</p>	<p>M 25</p> <p>M 32</p> <p>Pg 21</p> <p>Pg 29</p>	<p>32</p> <p>32</p> <p>32</p> <p>32</p>	<p style="text-align: center;">Without threaded fitting Senza raccordo filettato</p> <p>7832.4651.6</p> <p>7832.4652.6</p> <p>7832.4653.6</p> <p>7832.4654.6</p>

Hoods top entry with 2 levers, size 32A «66x40» Custodie con ingresso verticale con 2 leve, grandezza 32A «66x40»	Thread Filettatura	No. of poles No. poli *	Part No. Codice																																	
<p style="color: red; text-align: center;">For harsh environmental requirements Per ambienti aggressivi</p>  <p style="text-align: center;">With threaded fitting part No. "1" Without threaded fitting part No. "6" Con raccordo filettato cod. "1" Senza raccordo filettato cod. "6"</p>			<p style="text-align: center;">With threaded fitting Con raccordo filettato</p> <p style="text-align: center;">Without threaded fitting Senza raccordo filettato</p>																																	
			<table border="1" style="margin-left: auto; margin-right: auto;"> <thead> <tr> <th>Thread Filettatura</th> <th>A</th> </tr> </thead> <tbody> <tr> <td>M 25</td> <td>13</td> </tr> <tr> <td>M 32</td> <td>14,5</td> </tr> <tr> <td>Pg 21</td> <td>13</td> </tr> <tr> <td>Pg 29</td> <td>14,5</td> </tr> </tbody> </table>	Thread Filettatura	A	M 25	13	M 32	14,5	Pg 21	13	Pg 29	14,5	<table border="1" style="margin-left: auto; margin-right: auto;"> <tbody> <tr> <td>M 25</td> <td>32</td> <td>7832.4656.1</td> </tr> <tr> <td>M 32</td> <td>32</td> <td>7832.4657.1</td> </tr> <tr> <td>Pg 21</td> <td>32</td> <td>7832.4658.1</td> </tr> <tr> <td>Pg 29</td> <td>32</td> <td>7832.4659.1</td> </tr> </tbody> </table> <table border="1" style="margin-left: auto; margin-right: auto;"> <tbody> <tr> <td>M 25</td> <td>32</td> <td>7832.4656.6</td> </tr> <tr> <td>M 32</td> <td>32</td> <td>7832.4657.6</td> </tr> <tr> <td>Pg 21</td> <td>32</td> <td>7832.4658.6</td> </tr> <tr> <td>Pg 29</td> <td>32</td> <td>7832.4659.6</td> </tr> </tbody> </table>	M 25	32	7832.4656.1	M 32	32	7832.4657.1	Pg 21	32	7832.4658.1	Pg 29	32	7832.4659.1	M 25	32	7832.4656.6	M 32	32	7832.4657.6	Pg 21	32	7832.4658.6	Pg 29
Thread Filettatura	A																																			
M 25	13																																			
M 32	14,5																																			
Pg 21	13																																			
Pg 29	14,5																																			
M 25	32	7832.4656.1																																		
M 32	32	7832.4657.1																																		
Pg 21	32	7832.4658.1																																		
Pg 29	32	7832.4659.1																																		
M 25	32	7832.4656.6																																		
M 32	32	7832.4657.6																																		
Pg 21	32	7832.4658.6																																		
Pg 29	32	7832.4659.6																																		
<p>HC - High construction HC - Costruzione alta</p>  <table border="1" style="margin-left: auto; margin-right: auto;"> <thead> <tr> <th>Thread Filettatura</th> <th>A</th> </tr> </thead> <tbody> <tr> <td>M 25</td> <td>13</td> </tr> <tr> <td>M 32</td> <td>14,5</td> </tr> <tr> <td>Pg21</td> <td>13</td> </tr> <tr> <td>Pg29</td> <td>14,5</td> </tr> </tbody> </table>	Thread Filettatura	A	M 25	13	M 32	14,5	Pg21	13	Pg29	14,5																										
Thread Filettatura	A																																			
M 25	13																																			
M 32	14,5																																			
Pg21	13																																			
Pg29	14,5																																			
<p>CE (RoHS) c RU US Type 4/4x/12 c SA US</p> <ul style="list-style-type: none"> - Type: HE for harsh environmental requirements and inserts up to 500V series: S-A, S-D Tipo: HE per ambienti aggressivi ed inserti fino a 500V serie: S-A, S-D - IP66 / IP69 protection degree Grado di protezione IP66 / IP69 - With threaded fitting for IP66 and IP68 cable gland, part number "1" Con raccordo filettato per pressacavi IP66 e IP68, codice "1" - Without threaded fitting recommended for IP68 cable glands, part no. "6" Senza raccordo filettato raccomandato per pressacavi IP68, codice "6" <p>* Number of poles with S-A inserts Numero di poli con inserti S-A</p>																																				

Hoods side entry with 2 levers, size 32A «66x40» Custodie con ingresso orizzontale con 2 leve, grandezza 32A «66x40»	Thread Filettatura	No. of poles No. poli *	Part No. Codice
<p style="color: red; text-align: center;">For harsh environmental requirements <i>Per ambienti aggressivi</i></p>  	<p>M 25</p> <p>M 32</p> <p>Pg 21</p>	<p>32</p> <p>32</p> <p>32</p>	<p>7832.4661.1</p> <p>7832.4662.1</p> <p>7832.4663.1</p>
<p>HC - High construction <i>HC - Costruzione alta</i></p>  	<p>M 25</p> <p>M 32</p> <p>Pg 21</p> <p>Pg 29</p>	<p>32</p> <p>32</p> <p>32</p> <p>32</p>	<p style="text-align: center;">With threaded fitting <i>Con raccordo filettato</i></p> <p>7832.4665.1</p> <p>7832.4666.1</p> <p>7832.4667.1</p> <p>7832.4668.1</p>
  <p>CE RoHS UL US Type 4/4x/12 CS</p> <ul style="list-style-type: none"> - Type: HE for harsh environmental requirements and inserts up to 500V series: S-A, S-D Tipo: HE per ambienti aggressivi ed inserti fino a 500V serie: S-A, S-D - IP66 / IP69 protection degree <i>Grado di protezione IP66 / IP69</i> - With threaded fitting for IP66 and IP68 cable gland, part number "1" <i>Con raccordo filettato per pressacavi IP66 e IP68, codice "1"</i> - Without threaded fitting recommended for IP68 cable glands, part no. "6" <i>Senza raccordo filettato raccomandato per pressacavi IP68, codice "6"</i> <p>* Number of poles with S-A inserts <i>Numero di poli con inserti S-A</i></p>	<p>M 25</p> <p>M 32</p> <p>Pg 21</p> <p>Pg 29</p>	<p>32</p> <p>32</p> <p>32</p> <p>32</p>	<p style="text-align: center;">Without threaded fitting <i>Senza raccordo filettato</i></p> <p>7832.4665.6</p> <p>7832.4666.6</p> <p>7832.4667.6</p> <p>7832.4668.6</p>


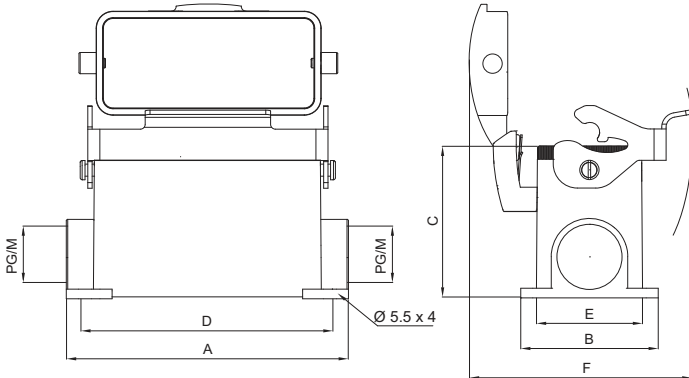
Cover with 4 pegs, size 32A «66 x 40» <i>Coperchio con 4 perni, grandezza 32A «66 x 40»</i>	No. of poles <i>No. poli *</i>	Part No. <i>Codice</i>
<p style="text-align: center;">For harsh environmental requirements <i>Per ambienti aggressivi</i></p>  <div style="display: flex; justify-content: space-around;"> <div style="text-align: center;">  <p>82.2 55.8</p> </div> <div style="text-align: center;">  <p>13</p> </div> </div> <div style="display: flex; justify-content: space-around;"> <div style="text-align: center;">  <p>82.6 56.2</p> </div> <div style="text-align: center;">  <p>17.6</p> </div> </div> <ul style="list-style-type: none"> - With 4 pegs without gasket for double locking system. <i>Con 4 perni senza guarnizione per sistema di chiusura a doppia leva</i> - With 4 pegs with gasket for reversed double locking system. <i>Con 4 perni con guarnizione per sistema di chiusura doppio rovesciato</i> <p>  </p> <ul style="list-style-type: none"> - Type: HE for harsh environmental requirements and inserts up to 500V for housings with two levers <i>Tipo: HE per ambienti aggressivi ed inserti fino a 500V per custodie con due leve</i> - IP66 / IP69 protection degree <i>Grado di protezione IP66 / IP69</i> * Number of poles with S-A inserts <i>Numero di poli con inserti S-A</i> 	<p style="text-align: center;">32</p> <p style="text-align: center;">32</p>	<p style="text-align: center;">7832.4671.1</p> <p style="text-align: center;">7832.4673.1</p>
Cover with 2 levers, size 32A «66 x 40» <i>Coperchio con 2 leve, grandezza 32A «66 x 40»</i>	No. of poles <i>No. poli *</i>	Part No. <i>Codice</i>
<p style="text-align: center;">For harsh environmental requirements <i>Per ambienti aggressivi</i></p>  <div style="display: flex; justify-content: space-around;"> <div style="text-align: center;">  <p>82.6 135</p> </div> <div style="text-align: center;">  <p>56.2</p> </div> </div> <div style="display: flex; justify-content: space-around;"> <div style="text-align: center;">  <p>82.6 135</p> </div> <div style="text-align: center;">  <p>56.2</p> </div> </div> <ul style="list-style-type: none"> - With 2 levers and gasket for double locking system. <i>Con 2 leve e guarnizione per sistema di chiusura a doppia leva</i> - With 2 levers without gasket for reversed double locking system. <i>Con 2 leve senza guarnizione per sistema di chiusura doppio rovesciato</i> <p>  </p> <ul style="list-style-type: none"> - Type: HE for harsh environmental requirements and inserts up to 500V for hoods with 4 pegs <i>Tipo: HE per ambienti aggressivi ed inserti fino a 500V per custodie mobili con 4 perni</i> - IP66 / IP69 protection degree <i>Grado di protezione IP66 / IP69</i> * Number of poles with S-A inserts <i>Numero di poli con inserti S-A</i> 	<p style="text-align: center;">32</p> <p style="text-align: center;">32</p>	<p style="text-align: center;">7832.4672.1</p> <p style="text-align: center;">7832.4674.1</p>



Surface mounting housings Custodie da parete	Size Grandezza	Thread Filettatura	Type HE Part No. - Codice																																																	
	6B «44x27»	M 20	7806.6351.1																																																	
	6B «44x27»	M 20X2	7806.6352.1																																																	
	6B «44x27»	Pg 16	7806.6301.1																																																	
	6B «44x27»	Pg 16X2	7806.6302.1																																																	
	10B «57x27»	M 20	7810.6353.1																																																	
	10B «57x27»	M 20X2	7810.6354.1																																																	
	10B «57x27»	Pg 16	7810.6303.1																																																	
	10B «57x27»	Pg 16X2	7810.6304.1																																																	
<p style="color: red; text-align: center;">For harsh environmental requirements Per ambienti aggressivi</p> 	16B «77x27»	M 25	7816.6355.1																																																	
	16B «77x27»	M 25X2	7816.6356.1																																																	
	16B «77x27»	Pg 21	7816.6305.1																																																	
	16B «77x27»	Pg 21X2	7816.6306.1																																																	
	24B «104x27»	M 25	7824.6357.1																																																	
	24B «104x27»	M 25X2	7824.6358.1																																																	
	24B «104x27»	Pg 21	7824.6307.1																																																	
	24B «104x27»	Pg 21X2	7824.6308.1																																																	
<table border="1" style="width: 100%; border-collapse: collapse; text-align: center;"> <thead> <tr> <th>Size Grandezza</th> <th>A</th> <th>B</th> <th>C</th> <th>D</th> <th>E</th> <th>F</th> </tr> </thead> <tbody> <tr> <td>6B «44x27»</td> <td>83.5</td> <td>57</td> <td>53</td> <td>70</td> <td>40</td> <td>77.5</td> </tr> <tr> <td>10B «57x27»</td> <td>97</td> <td>57</td> <td>57</td> <td>82</td> <td>40</td> <td>77.5</td> </tr> <tr> <td>16B «77x27»</td> <td>117</td> <td>57</td> <td>63</td> <td>105</td> <td>45</td> <td>77.5</td> </tr> <tr> <td>24B «104x27»</td> <td>143.5</td> <td>57</td> <td>63</td> <td>132</td> <td>45</td> <td>77.5</td> </tr> <tr> <td>32B «77x62»</td> <td>125</td> <td>84.5</td> <td>87.5</td> <td>112</td> <td>67</td> <td>115.5</td> </tr> <tr> <td>48B «104x62»</td> <td>141</td> <td>120</td> <td>96.5</td> <td>111</td> <td>106</td> <td>136.5</td> </tr> </tbody> </table>	Size Grandezza	A	B	C	D	E	F	6B «44x27»	83.5	57	53	70	40	77.5	10B «57x27»	97	57	57	82	40	77.5	16B «77x27»	117	57	63	105	45	77.5	24B «104x27»	143.5	57	63	132	45	77.5	32B «77x62»	125	84.5	87.5	112	67	115.5	48B «104x62»	141	120	96.5	111	106	136.5	32B «77x62»	M 40X2	7832.6381.1
	Size Grandezza	A	B	C	D	E	F																																													
	6B «44x27»	83.5	57	53	70	40	77.5																																													
	10B «57x27»	97	57	57	82	40	77.5																																													
	16B «77x27»	117	57	63	105	45	77.5																																													
	24B «104x27»	143.5	57	63	132	45	77.5																																													
	32B «77x62»	125	84.5	87.5	112	67	115.5																																													
	48B «104x62»	141	120	96.5	111	106	136.5																																													
32B «77x62»	M 50X2	7832.6360.1																																																		
32B «77x62»	Pg 29X2	7832.6331.1																																																		
32B «77x62»	Pg 36X2	7832.6310.1																																																		
48B «104x62»	M 32X2	7848.7429.1																																																		
48B «104x62»	M 40X2	7848.7430.1																																																		
48B «104x62»	M 50X2	7848.7431.1																																																		
48B «104x62»	Pg 29X2	7848.7530.1																																																		
48B «104x62»	Pg 36X2	7848.7531.1																																																		




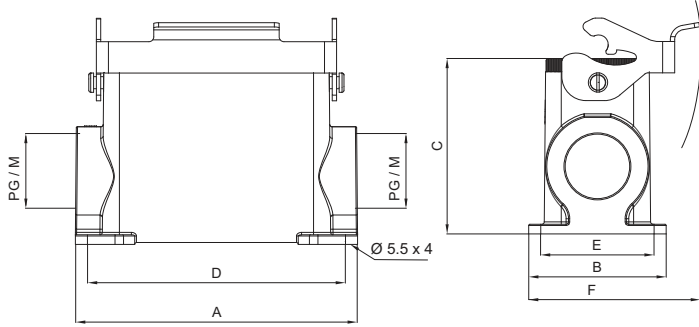
- Type: HE for harsh environmental requirements and inserts up to 500V series: S-D, S-DD, S-E, S-ES, S-EP, S-EE, S-HSB, S-K, S-M
- Tipo: HE per ambienti aggressivi ed inserti fino a 500V serie: S-D, S-DD, S-E, S-ES, S-EP, S-EE, S-HSB, S-K, S-M
- IP66 / IP69 protection degree
Grado di protezione IP66 / IP69

Surface mounting housing with cover <i>Custodia da parete con coperchio</i>	Size <i>Grandezza</i>	Thread <i>Filettatura</i>	Type HE Part No. - Codice
 <p>For harsh environmental requirements <i>Per ambienti aggressivi</i></p> 	6B «44 x 27»	M 20	7806.6361.1
	6B «44 x 27»	M 20X2	7806.6362.1
	6B «44 x 27»	Pg 16	7806.6311.1
	6B «44 x 27»	Pg 16X2	7806.6312.1
	10B «57x 27»	M 20	7810.6363.1
	10B «57x 27»	M 20X2	7810.6364.1
	10B «57x 27»	Pg 16	7810.6313.1
	10B «57x 27»	Pg 16X2	7810.6314.1
	16B «77x 27»	M 25	7816.6365.1
	16B «77x 27»	M 25X2	7816.6366.1
	16B «77x 27»	Pg 21	7816.6315.1
	16B «77x 27»	Pg 21X2	7816.6316.1
	24B «104x27»	M 25	7824.6367.1
	24B «104x27»	M 25X2	7824.6368.1
	24B «104x27»	Pg 21	7824.6317.1
	24B «104x27»	Pg 21X2	7824.6318.1
32B «77x62»	M 40X2	7832.6383.1	
32B «77x62»	M 50X2	7832.6370.1	
32B «77x62»	Pg 29X2	7832.6335.1	
32B «77x62»	Pg 36X2	7832.6320.1	
48B «104x62»	M 32X2	7848.7433.1	
48B «104x62»	M 40X2	7848.6386.1	
48B «104x62»	M 50X2	7848.6371.1	
48B «104x62»	Pg 29X2	7848.6342.1	
48B «104x62»	Pg 36X2	7848.6321.1	

Size <i>Grandezza</i>	A	B	C	D	E	F
6B «44x27»	83.5	57	53	70	40	99
10B «57x27»	97	57	57	82	40	99
16B «77x27»	117	57	63	105	45	99
24B «104x27»	143.5	57	63	132	45	99
32B «77x62»	125	84.5	87.5	112	67	146
48B «104x62»	141	120	96.5	111	106	174.5


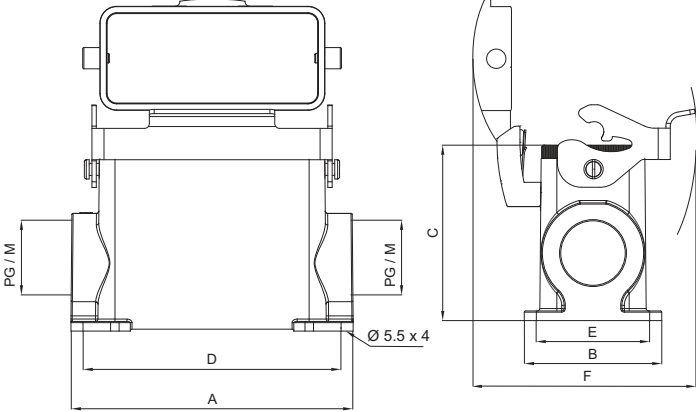


- Type: HE for harsh environmental requirements and inserts up to 500V series: S-D, S-DD, S-E, S-ES, S-EP, S-EE, S-HSB, S-K, S-M
- Tipo: HE per ambienti aggressivi ed inserti fino a 500V serie: S-D, S-DD, S-E, S-ES, S-EP, S-EE, S-HSB, S-K, S-M
- IP66 / IP69 protection degree
Grado di protezione IP66 / IP69
- Metal cover with stainless steel spring, screw, pegs and lever
Coperchio metallico con molla, viti, perni e leva in acciaio inox

Surface mounting housings Custodie da parete	Size Grandezza	Thread Filettatura	Type HE Part No. - Codice																																			
 <p style="color: red; text-align: center;">For harsh environmental requirements Per ambienti aggressivi</p>  <p>HC - High construction HC - Costruzione alta</p> <table border="1" data-bbox="204 1384 885 1594"> <thead> <tr> <th>Size Grandezza</th> <th>A</th> <th>B</th> <th>C</th> <th>D</th> <th>E</th> <th>F</th> </tr> </thead> <tbody> <tr> <td>6B «44x27»</td> <td>83.5</td> <td>57</td> <td>72</td> <td>70</td> <td>40</td> <td>77.5</td> </tr> <tr> <td>10B «57x27»</td> <td>97</td> <td>57</td> <td>73</td> <td>82</td> <td>40</td> <td>77.5</td> </tr> <tr> <td>16B «77x27»</td> <td>117</td> <td>57</td> <td>77</td> <td>105</td> <td>45</td> <td>77.5</td> </tr> <tr> <td>24B «104x27»</td> <td>143.5</td> <td>57</td> <td>80</td> <td>132</td> <td>45</td> <td>77.5</td> </tr> </tbody> </table>	Size Grandezza	A	B	C	D	E	F	6B «44x27»	83.5	57	72	70	40	77.5	10B «57x27»	97	57	73	82	40	77.5	16B «77x27»	117	57	77	105	45	77.5	24B «104x27»	143.5	57	80	132	45	77.5	6B «44x27»	M 25x2	7806.7150.1
	Size Grandezza	A	B	C	D	E	F																															
	6B «44x27»	83.5	57	72	70	40	77.5																															
	10B «57x27»	97	57	73	82	40	77.5																															
	16B «77x27»	117	57	77	105	45	77.5																															
	24B «104x27»	143.5	57	80	132	45	77.5																															
	6B «44x27»	M 32X2	7806.7152.1																																			
	6B «44x27»	M 40X2	7806.7154.1																																			
	6B «44x27»	Pg 21X2	7806.7156.1																																			
	6B «44x27»	Pg 29X2	7806.7158.1																																			
	10B «57x27»	M 25x2	7810.7159.1																																			
	10B «57x27»	M 32X2	7810.7161.1																																			
	10B «57x27»	M 40X2	7810.7163.1																																			
	10B «57x27»	Pg 21X2	7810.7165.1																																			
	10B «57x27»	Pg 29X2	7810.7167.1																																			
	16B «77x27»	M 25x2	7816.7168.1																																			
	16B «77x27»	M 32X2	7816.7170.1																																			
	16B «77x27»	M 40X2	7816.7172.1																																			
	16B «77x27»	Pg 21X2	7816.7174.1																																			
	16B «77x27»	Pg 29X2	7816.7176.1																																			
24B «104x27»	M 32X2	7824.7179.1																																				
24B «104x27»	M 40X2	7824.7181.1																																				
24B «104x27»	Pg 21X2	7824.7183.1																																				
24B «104x27»	Pg 29X2	7824.7185.1																																				


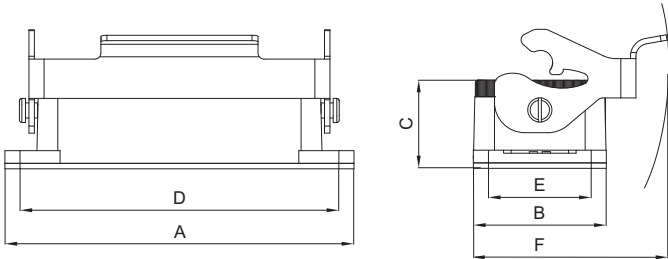
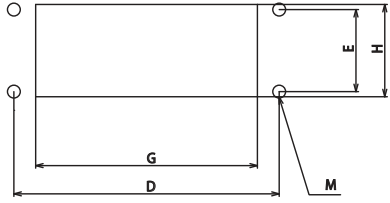


- Type: HE for harsh environmental requirements and inserts up to 500V series: S-D, S-DD, S-E, S-ES, S-EP, S-EE, S-HSB, S-K, S-M
- Tipo: HE per ambienti aggressivi ed inserti fino a 500V serie: S-D, S-DD, S-E, S-ES, S-EP, S-EE, S-HSB, S-K, S-M
- IP66 / IP69 protection degree
Grado di protezione IP66 / IP69

Surface mounting housing with cover <i>Custodia da parete con coperchio</i>	Size <i>Grandezza</i>	Thread <i>Filettatura</i>	Type HE Part No. - Codice																																			
 <p data-bbox="306 869 703 920">For harsh environmental requirements <i>Per ambienti aggressivi</i></p>  <p data-bbox="225 1429 461 1480">HC - High construction <i>HC - Costruzione alta</i></p> <table border="1" data-bbox="183 1496 882 1704"> <thead> <tr> <th>Size <i>Grandezza</i></th> <th>A</th> <th>B</th> <th>C</th> <th>D</th> <th>E</th> <th>F</th> </tr> </thead> <tbody> <tr> <td>6B «44x27»</td> <td>83.5</td> <td>57</td> <td>73</td> <td>70</td> <td>45</td> <td>99</td> </tr> <tr> <td>10B «57x27»</td> <td>97</td> <td>57</td> <td>73</td> <td>82</td> <td>45</td> <td>99</td> </tr> <tr> <td>16B «77x27»</td> <td>117</td> <td>57</td> <td>77</td> <td>105</td> <td>45</td> <td>99</td> </tr> <tr> <td>24B «104x27»</td> <td>143.5</td> <td>57</td> <td>80</td> <td>132</td> <td>45</td> <td>99</td> </tr> </tbody> </table>	Size <i>Grandezza</i>	A	B	C	D	E	F	6B «44x27»	83.5	57	73	70	45	99	10B «57x27»	97	57	73	82	45	99	16B «77x27»	117	57	77	105	45	99	24B «104x27»	143.5	57	80	132	45	99	6B «44x27»	M 25x2	7806.7264.1
	Size <i>Grandezza</i>	A	B	C	D	E	F																															
	6B «44x27»	83.5	57	73	70	45	99																															
	10B «57x27»	97	57	73	82	45	99																															
	16B «77x27»	117	57	77	105	45	99																															
	24B «104x27»	143.5	57	80	132	45	99																															
	6B «44x27»	M 32X2	7806.7266.1																																			
	6B «44x27»	M 40X2	7806.7268.1																																			
	6B «44x27»	Pg 21X2	7806.7270.1																																			
	6B «44x27»	Pg 29X2	7806.7272.1																																			
	10B «57x27»	M 25x2	7810.7273.1																																			
	10B «57x27»	M 32X2	7810.7275.1																																			
	10B «57x27»	M 40X2	7810.7277.1																																			
	10B «57x27»	Pg 21X2	7810.7279.1																																			
	10B «57x27»	Pg 29X2	7810.7281.1																																			
	16B «77x27»	M 25x2	7816.7282.1																																			
	16B «77x27»	M 32X2	7816.7284.1																																			
	16B «77x27»	M 40X2	7816.7286.1																																			
	16B «77x27»	Pg 21X2	7816.7288.1																																			
	16B «77x27»	Pg 29X2	7816.7290.1																																			
24B «104x27»	M 32X2	7824.7293.1																																				
24B «104x27»	M 40X2	7824.7295.1																																				
24B «104x27»	Pg 21X2	7824.7297.1																																				
24B «104x27»	Pg 29X2	7824.7299.1																																				



- Type: HE for harsh environmental requirements and inserts up to 500V series: S-D, S-DD, S-E, S-ES, S-EP, S-EE, S-HSB, S-K, S-M
- Tipo: HE per ambienti aggressivi ed inserti fino a 500V serie: S-D, S-DD, S-E, S-ES, S-EP, S-EE, S-HSB, S-K, S-M
- IP66 / IP69 protection degree
Grado di protezione IP66 / IP69
- Metal cover with stainless steel spring, screw, pegs and lever
Coperchio metallico con molla, viti, perni e leva in acciaio inox

Bulkhead mounting housings Custodie da incasso	Size Grandezza	Type HE Part No. - Codice																																																																						
 <p data-bbox="406 705 798 750" style="color: red;">For harsh environmental requirements Per ambienti aggressivi</p>   <p data-bbox="223 1288 430 1344">Panel cut out Foratura del pannello</p> <table border="1" data-bbox="191 1411 1005 1691"> <thead> <tr> <th>Size Grandezza</th> <th>A</th> <th>B</th> <th>C</th> <th>D</th> <th>E</th> <th>F</th> <th>G</th> <th>H</th> <th>M</th> </tr> </thead> <tbody> <tr> <td>6B «44x27»</td> <td>82</td> <td>44</td> <td>29.5</td> <td>70</td> <td>32</td> <td>71</td> <td>53</td> <td>36</td> <td>4.5</td> </tr> <tr> <td>10B «57x27»</td> <td>95.5</td> <td>44</td> <td>29.5</td> <td>83</td> <td>32</td> <td>71</td> <td>66.5</td> <td>36</td> <td>4.5</td> </tr> <tr> <td>16B «77x27»</td> <td>115.5</td> <td>44</td> <td>29.5</td> <td>103</td> <td>32</td> <td>71</td> <td>86.5</td> <td>36</td> <td>4.5</td> </tr> <tr> <td>24B «104x27»</td> <td>142.5</td> <td>44</td> <td>29.5</td> <td>130</td> <td>32</td> <td>71</td> <td>113</td> <td>36</td> <td>4.5</td> </tr> <tr> <td>32B «77x62»</td> <td>124.5</td> <td>84.5</td> <td>35.5</td> <td>110</td> <td>65</td> <td>116</td> <td>87.5</td> <td>76.5</td> <td>5.5</td> </tr> <tr> <td>48B «104x62»</td> <td>169</td> <td>91</td> <td>40</td> <td>148</td> <td>70</td> <td>136.5</td> <td>122.5</td> <td>79.5</td> <td>6.5</td> </tr> </tbody> </table>	Size Grandezza	A	B	C	D	E	F	G	H	M	6B «44x27»	82	44	29.5	70	32	71	53	36	4.5	10B «57x27»	95.5	44	29.5	83	32	71	66.5	36	4.5	16B «77x27»	115.5	44	29.5	103	32	71	86.5	36	4.5	24B «104x27»	142.5	44	29.5	130	32	71	113	36	4.5	32B «77x62»	124.5	84.5	35.5	110	65	116	87.5	76.5	5.5	48B «104x62»	169	91	40	148	70	136.5	122.5	79.5	6.5	<p>6B «44x27»</p> <p>10B «57x27»</p> <p>16B «77x27»</p> <p>24B «104x27»</p> <p>32B «77x62»</p> <p>48B «104x62»</p>	<p>7806.6401.1</p> <p>7810.6403.1</p> <p>7816.6405.1</p> <p>7824.6407.1</p> <p>7832.6409.1</p> <p>7848.7440.1</p>
	Size Grandezza	A	B	C	D	E	F	G	H	M																																																														
	6B «44x27»	82	44	29.5	70	32	71	53	36	4.5																																																														
	10B «57x27»	95.5	44	29.5	83	32	71	66.5	36	4.5																																																														
	16B «77x27»	115.5	44	29.5	103	32	71	86.5	36	4.5																																																														
	24B «104x27»	142.5	44	29.5	130	32	71	113	36	4.5																																																														
32B «77x62»	124.5	84.5	35.5	110	65	116	87.5	76.5	5.5																																																															
48B «104x62»	169	91	40	148	70	136.5	122.5	79.5	6.5																																																															



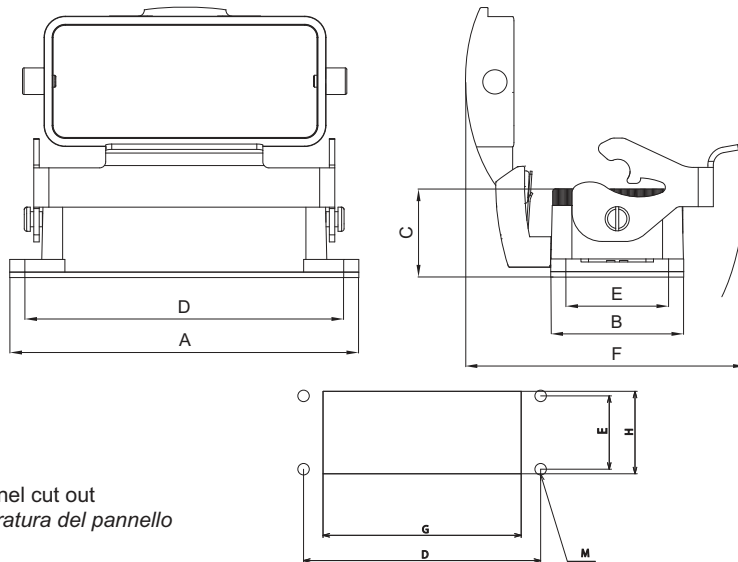
- Type: HE for harsh environmental requirements and inserts up to 500V series: S-D, S-DD, S-E, S-ES, S-EP, S-EE, S-HSB, S-K, S-M
- Tipo: HE per ambienti aggressivi ed inserti fino a 500V serie: S-D, S-DD, S-E, S-ES, S-EP, S-EE, S-HSB, S-K, S-M
- IP66 / IP69 protection degree
Grado di protezione IP66 / IP69

Bulkhead mounting housings with cover and one lever
Custodie da incasso con coperchio e una leva



Size Grandezza	Type HE
	Part No. - Codice
6B «44x27»	7806.6402.1
10B «57x27»	7810.6404.1
16B «77x27»	7816.6406.1
24B «104x27»	7824.6408.1
32B «77x62»	7832.6410.1
48B «104x62»	7848.6411.1

For harsh environmental requirements
Per ambienti aggressivi



Panel cut out
Foratura del pannello

Size Grandezza	A	B	C	D	E	F	G	H	M
6B «44x27»	82	44	29.5	70	32	99	53	36	4.5
10B «57x27»	95.5	44	29.5	83	32	99	66.5	36	4.5
16B «77x27»	115.5	44	29.5	103	32	99	86.5	36	4.5
24B «104x27»	142.5	44	29.5	130	32	99	113	36	4.5
32B «77x62»	124.5	84.5	35.5	110	65	146	87.5	76.5	5.5
48B «104x62»	169	91	40	148	70	174.5	122.5	79.5	6.5



- Type: HE for harsh environmental requirements and inserts up to 500V series: S-D, S-DD, S-E, S-ES, S-EP, S-EE, S-HSB, S-K, S-M
- Tipo: HE per ambienti aggressivi ed inserti fino a 500V serie: S-D, S-DD, S-E, S-ES, S-EP, S-EE, S-HSB, S-K, S-M
- IP66 / IP69 protection degree
Grado di protezione IP66 / IP69
- Metal cover with stainless steel spring, screw, pegs and lever
Coperchio metallico con molla, viti, perni e leva in acciaio inox

Technical characteristics
 Caratteristiche tecniche



Housing with automatic cover

Custodie con coperchio con chiusura automatica

These housings are provided with a special closing system that allows the automatic fastening of the cover, so that the IP66 degree is automatically achieved.

IP69 protection degree with lever.

When for any reason (transport, maintenance, cleaning, etc.) the operator disconnects the mobile connector from the machine, he has to protect the insert of the fixed connector applying and locking the cover with the lever of the mechanical locking system. This has to be done to avoid that further operations may damage the fixed connector and/or the electrical equipment if bulkhead housing are used. The new Molex housings with automatic cover fully automatically protect the fixed connectors and the electrical equipments on which they are assembled as soon as the mobile connector is disconnected.

The fastening of the cover is obtained by a combination of a magnetic and a mechanical mechanism which allows the firm closure of the cover.

The opening of the cover is facilitated by pushing the lever in the opposite direction.

These housings are coupable to all mobile enclosures with single locking system with one lever. They are also compatible with metal hoods by other manufacturers, though we guarantee best performances and precise conformity to standards using Molex inserts, enclosures and cable glands.

Please pay attention while using automatic cover housings near components sensitive to strong magnetic fields.

PATENTED

Le custodie fisse sono provviste di uno speciale sistema di chiusura che permette di ottenere la chiusura automatica del coperchio con un grado IP66.

Grado di protezione IP69 con leva.

Quando l'operatore scollega il connettore mobile dalla macchina per una qualsiasi ragione, trasporto, manutenzione, pulizia, ecc., deve proteggere l'inserto del connettore fisso applicando e chiudendo manualmente il coperchio con la leva del sistema di chiusura meccanico: questo per evitare che le successive operazioni siano la causa di seri danni al connettore stesso ed alla apparecchiatura elettrica collegata se viene usata una custodia da incasso.

Le nuove custodie Molex con coperchio con chiusura automatica proteggono il connettore fisso e le apparecchiature elettriche dove sono assemblate in modo completamente automatico intervenendo non appena il connettore mobile viene disconnesso.

La chiusura del coperchio è ottenuta con la combinazione di meccanismi magnetici e meccanici che consentono la perfetta chiusura del coperchio.

L'apertura del coperchio è facilitata dalla leva spinta dalla parte opposta alla chiusura.

Queste custodie possono essere accoppiate con tutte le custodie mobili con chiusura a leva singola.

Esse sono inoltre compatibili con altre custodie metalliche prodotte da altri costruttori sebbene garantiamo le massime prestazioni e la perfetta rispondenza alle Norme utilizzando inserti, custodie e pressacavi Molex.

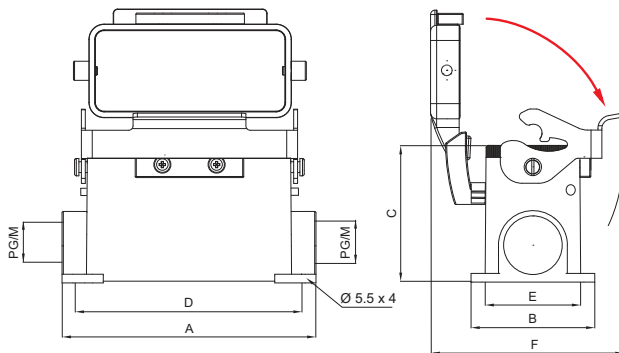
Consigliamo di verificarne l'impiego nelle vicinanze di componenti sensibili a forti campi magnetici

BREVETTATE

Surface mounting housing with automatic cover
Custodia da parete con coperchio con chiusura automatica



For harsh environmental requirements
Per ambienti aggressivi


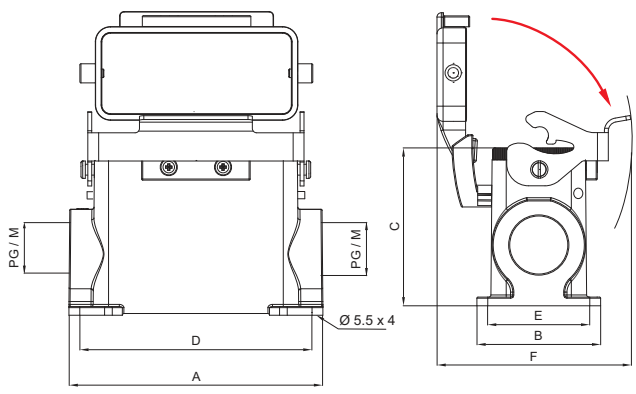


Size Grandezza	A	B	C	D	E	F
6B «44x27»	83.5	57	53	70	40	99
10B «57x27»	97	57	57	82	40	99
16B «77x27»	117	57	63	105	45	99
24B «104x27»	143.5	57	63	132	45	99

Size Grandezza	Thread Filettatura	Type HE Part No. - Codice
6B «44 x 27»	M 20X2	7806.7252.1
6B «44 x 27»	Pg 16X2	7806.7212.1
10B «57x 27»	M 20	7810.7253.1
10B «57x 27»	M 20X2	7810.7254.1
10B «57x 27»	Pg 16	7810.7213.1
10B «57x 27»	Pg 16X2	7810.7214.1
16B «77x 27»	M 25	7816.7255.1
16B «77x 27»	M 25X2	7816.7256.1
16B «77x 27»	Pg 21	7816.7215.1
16B «77x 27»	Pg 21X2	7816.7216.1
24B «104x27»	M 25	7824.7257.1
24B «104x27»	M 25X2	7824.7258.1
24B «104x27»	Pg 21	7824.7217.1
24B «104x27»	Pg 21X2	7824.7218.1



- Type: HE for harsh environmental requirements and inserts up to 500V series: S-D, S-DD, S-E, S-ES, S-EP, S-EE, S-HSB, S-K, S-M
- Tipo: HE per ambienti aggressivi ed inserti fino a 500V serie: S-D, S-DD, S-E, S-ES, S-EP, S-EE, S-HSB, S-K, S-M
- IP66 / IP69 protection degree
Grado di protezione IP66 / IP69
- Metal cover with stainless steel spring, screw, pegs and lever
Coperchio metallico con molla, viti, perni e leva in acciaio inox
- Patented
Brevettate

Surface mounting housing with automatic cover Custodia da parete con coperchio con chiusura automatica		Size Grandezza	Thread Filettatura	Type HE Part No. - Codice																																			
 <p>For harsh environmental requirements Per ambienti aggressivi</p>  <p>HC - High construction HC - Costruzione alta</p> <table border="1" data-bbox="183 1467 885 1680"> <thead> <tr> <th>Size Grandezza</th> <th>A</th> <th>B</th> <th>C</th> <th>D</th> <th>E</th> <th>F</th> </tr> </thead> <tbody> <tr> <td>6B «44x27»</td> <td>83.5</td> <td>57</td> <td>73</td> <td>70</td> <td>45</td> <td>99</td> </tr> <tr> <td>10B «57x27»</td> <td>97</td> <td>57</td> <td>73</td> <td>82</td> <td>45</td> <td>99</td> </tr> <tr> <td>16B «77x27»</td> <td>117</td> <td>57</td> <td>77</td> <td>105</td> <td>45</td> <td>99</td> </tr> <tr> <td>24B «104x27»</td> <td>143.5</td> <td>57</td> <td>80</td> <td>132</td> <td>45</td> <td>99</td> </tr> </tbody> </table>		Size Grandezza	A	B	C	D	E	F	6B «44x27»	83.5	57	73	70	45	99	10B «57x27»	97	57	73	82	45	99	16B «77x27»	117	57	77	105	45	99	24B «104x27»	143.5	57	80	132	45	99	6B «44x27»	M25x2	7806.7220.1
		Size Grandezza	A	B	C	D	E	F																															
		6B «44x27»	83.5	57	73	70	45	99																															
		10B «57x27»	97	57	73	82	45	99																															
		16B «77x27»	117	57	77	105	45	99																															
		24B «104x27»	143.5	57	80	132	45	99																															
		6B «44x27»	M 32	7806.7221.1																																			
		6B «44x27»	M 32X2	7806.7222.1																																			
		6B «44x27»	M 40	7806.7223.1																																			
		6B «44x27»	M 40X2	7806.7224.1																																			
6B «44x27»	Pg 21	7806.7225.1																																					
6B «44x27»	Pg 21X2	7806.7226.1																																					
6B «44x27»	Pg 29	7806.7227.1																																					
6B «44x27»	Pg 29X2	7806.7228.1																																					
<p>10B «57x27»</p>		M25x2	7810.7229.1																																				
		10B «57x27»	M 32	7810.7230.1																																			
		10B «57x27»	M 32X2	7810.7231.1																																			
		10B «57x27»	M 40	7810.7232.1																																			
		10B «57x27»	M 40X2	7810.7233.1																																			
		10B «57x27»	Pg 21	7810.7234.1																																			
		10B «57x27»	Pg 21X2	7810.7235.1																																			
		10B «57x27»	Pg 29	7810.7236.1																																			
		10B «57x27»	Pg 29X2	7810.7237.1																																			
		<p>16B «77x27»</p>		M25x2	7816.7238.1																																		
16B «77x27»	M 32			7816.7239.1																																			
16B «77x27»	M 32X2			7816.7240.1																																			
16B «77x27»	M 40			7816.7241.1																																			
16B «77x27»	M 40X2			7816.7242.1																																			
16B «77x27»	Pg 21			7816.7243.1																																			
16B «77x27»	Pg 21X2			7816.7244.1																																			
16B «77x27»	Pg 29			7816.7245.1																																			
16B «77x27»	Pg 29X2			7816.7246.1																																			
<p>24B «104x27»</p>				M 32	7824.7247.1																																		
		24B «104x27»	M 32X2	7824.7248.1																																			
		24B «104x27»	M 40	7824.7249.1																																			
		24B «104x27»	M 40X2	7824.7250.1																																			
		24B «104x27»	Pg 21	7824.7201.1																																			
		24B «104x27»	Pg 21X2	7824.7202.1																																			
		24B «104x27»	Pg 29	7824.7203.1																																			
		24B «104x27»	Pg 29X2	7824.7204.1																																			



- Type: HE for harsh environmental requirements and inserts up to 500V series: S-D, S-DD, S-E, S-ES, S-EP, S-EE, S-HSB, S-K, S-M
- Tipo: HE per ambienti aggressivi ed inserti fino a 500V serie: S-D, S-DD, S-E, S-ES, S-EP, S-EE, S-HSB, S-K, S-M
- IP66 / IP69 protection degree
Grado di protezione IP66 / IP69
- Metal cover with stainless steel spring, screw, pegs and lever
Coperchio metallico con molla, viti, perni e leva in acciaio inox
- Patented
Brevettate

Surface mounting housing with automatic cover
Custodia da parete con coperchio con chiusura automatica

Size
 Grandezza

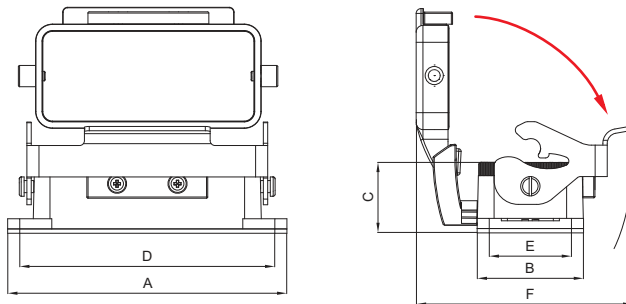
Type HE
 Part No. - Codice

- 6B «44x27»
- 10B «57x27»
- 16B «77x27»
- 24B «104x27»

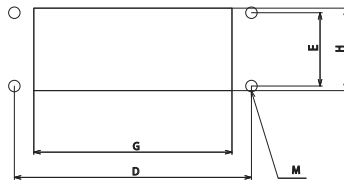
- 7806.7205.1
- 7810.7206.1
- 7816.7207.1
- 7824.7208.1



For harsh environmental requirements
Per ambienti aggressivi




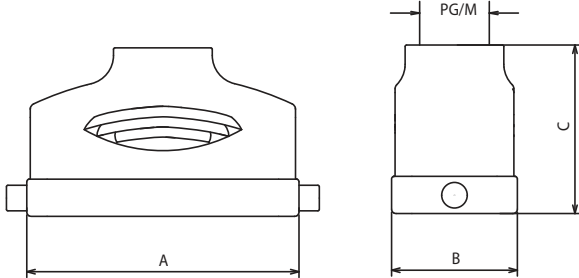
Panel cut out
Foratura del pannello



Size Grandezza	A	B	C	D	E	F	G	H	M
6B «44x27»	82	44	29.5	70	32	99	53	36	4.5
10B «57x27»	95.5	44	29.5	83	32	99	66.5	36	4.5
16B «77x27»	115.5	44	29.5	103	32	99	86.5	36	4.5
24B «104x27»	142.5	44	29.5	130	32	99	113	36	4.5


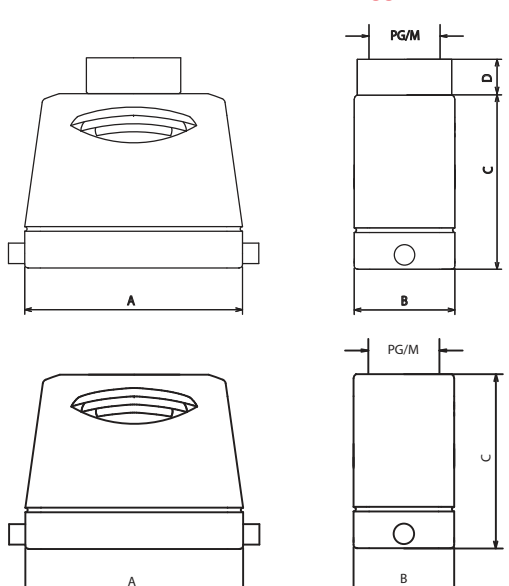


- Type: HE for harsh environmental requirements and inserts up to 500V
 series: S-D, S-DD, S-E, S-ES, S-EP, S-EE, S-HSB, S-K, S-M
- Tipo: HE per ambienti aggressivi ed inserti fino a 500V
 serie: S-D, S-DD, S-E, S-ES, S-EP, S-EE, S-HSB, S-K, S-M
- IP66 / IP69 protection degree
 Grado di protezione IP66 / IP69
- Metal cover with stainless steel spring, screw, pegs and lever
 Coperchio metallico con molla, viti, perni e leva in acciaio inox
- Patented
 Brevettate

Hoods top entry with 2 pegs for one lever <i>Custodie ingresso verticale con 2 perni per una leva</i>	Size <i>Grandezza</i>	Thread <i>Filettatura</i>	Type HE Part No. - Codice																				
 <p data-bbox="336 846 734 898"> For harsh environmental requirements <i>Per ambienti aggressivi</i> </p>  <table border="1" data-bbox="252 1344 833 1552"> <thead> <tr> <th>Size Grandezza</th> <th>A</th> <th>B</th> <th>C</th> </tr> </thead> <tbody> <tr> <td>6B «44x27»</td> <td>60</td> <td>43.5</td> <td>53</td> </tr> <tr> <td>10B «57x27»</td> <td>73.5</td> <td>43.5</td> <td>58</td> </tr> <tr> <td>16B «77x27»</td> <td>94</td> <td>43.5</td> <td>58</td> </tr> <tr> <td>24B «104x27»</td> <td>120.5</td> <td>43.5</td> <td>68</td> </tr> </tbody> </table>	Size Grandezza	A	B	C	6B «44x27»	60	43.5	53	10B «57x27»	73.5	43.5	58	16B «77x27»	94	43.5	58	24B «104x27»	120.5	43.5	68	6B «44x27»	M 20	7806.6553.1
	Size Grandezza	A	B	C																			
	6B «44x27»	60	43.5	53																			
	10B «57x27»	73.5	43.5	58																			
	16B «77x27»	94	43.5	58																			
	24B «104x27»	120.5	43.5	68																			
	6B «44x27»	M 25	7806.6554.1																				
	6B «44x27»	Pg 13.5	7806.6503.1																				
	6B «44x27»	Pg 16	7806.6504.1																				
	10B «57x27»	M 20	7810.6556.1																				
	10B «57x27»	M 25	7810.6593.1																				
	10B «57x27»	Pg 16	7810.6506.1																				
	16B «77x27»	M 25	7816.6558.1																				
	16B «77x27»	M 32	7816.6547.1																				
	16B «77x27»	Pg 21	7816.6508.1																				
	16B «77x27»	Pg 29	7816.6548.1																				
24B «104x27»	M 25	7824.6560.1																					
24B «104x27»	M 32	7824.6924.1																					
24B «104x27»	Pg 21	7824.6510.1																					
24B «104x27»	Pg 29	7824.6613.1																					



- **Type:** HE for harsh environmental requirements and inserts up to 500V
series: S-D, S-DD, S-E, S-ES, S-EP, S-EE, S-HSB, S-K, S-M
- **Tipo:** HE per ambienti aggressivi ed inserti fino a 500V
serie: S-D, S-DD, S-E, S-ES, S-EP, S-EE, S-HSB, S-K, S-M
- IP66 / IP69 protection degree
Grado di protezione IP66 / IP69
- For IP66 and IP68 cable glands
Per pressacavi IP66 e IP68

Hoods top entry with 2 pegs for one lever <i>Custodie ingresso verticale con 2 perni per una leva</i>	Size <i>Grandezza</i>	Thread <i>Filettatura</i>	Without threaded fitting <i>senza raccordo filettato</i>	With threaded fitting <i>con raccordo filettato</i>																												
			Part No. - Codice	Part No. - Codice																												
	6B «44x27»	M 25	7806.6449.6	7806.6449.1																												
	6B «44x27»	M 32	7806.6450.6	7806.6450.1																												
	6B «44x27»	Pg 21	7806.6427.6	7806.6427.1																												
	6B «44x27»	Pg 29	7806.6428.6	7806.6428.1																												
	10B «57x27»	M 32	7810.6451.6	7810.6451.1																												
	10B «57x27»	M 40	7810.6452.6	7810.6452.1																												
	10B «57x27»	Pg 21	7810.6429.6	7810.6429.1																												
	10B «57x27»	Pg 29	7810.6430.6	7810.6430.1																												
	<p>For harsh environmental requirements <i>Per ambienti aggressivi</i></p>  <table border="1" data-bbox="630 716 805 1075"> <thead> <tr> <th>Thread <i>Filettatura</i></th> <th>D</th> </tr> </thead> <tbody> <tr><td>M25</td><td>15</td></tr> <tr><td>M32</td><td>16,5</td></tr> <tr><td>M40</td><td>19,5</td></tr> <tr><td>M50</td><td>22</td></tr> <tr><td>Pg21</td><td>15</td></tr> <tr><td>Pg29</td><td>16,5</td></tr> <tr><td>Pg36</td><td>19,5</td></tr> <tr><td>Pg42</td><td>22</td></tr> </tbody> </table>	Thread <i>Filettatura</i>	D	M25	15	M32	16,5	M40	19,5	M50	22	Pg21	15	Pg29	16,5	Pg36	19,5	Pg42	22	16B «77x27»	M 32	7816.6453.6	7816.6453.1									
		Thread <i>Filettatura</i>	D																													
M25		15																														
M32		16,5																														
M40		19,5																														
M50		22																														
Pg21		15																														
Pg29		16,5																														
Pg36		19,5																														
Pg42		22																														
16B «77x27»	M 40	7816.6454.6	7816.6454.1																													
16B «77x27»	Pg 21	7816.6431.6	7816.6431.1																													
16B «77x27»	Pg 29	7816.6432.6	7816.6432.1																													
24B «104x27»	M 32	7824.6455.6	7824.6455.1																													
24B «104x27»	M 40	7824.6456.6	7824.6456.1																													
24B «104x27»	Pg 21	7824.6433.6	7824.6433.1																													
24B «104x27»	Pg 29	7824.6434.6	7824.6434.1																													
<p>HC - High construction <i>HC - Costruzione alta</i></p> <table border="1" data-bbox="159 1411 750 1691"> <thead> <tr> <th>Size <i>Grandezza</i></th> <th>A</th> <th>B</th> <th>C</th> </tr> </thead> <tbody> <tr><td>6B «44x27»</td><td>60</td><td>43.5</td><td>75</td></tr> <tr><td>10B «57x27»</td><td>73.5</td><td>43.5</td><td>*75,5</td></tr> <tr><td>16B «77x27»</td><td>94</td><td>43.5</td><td>*75,5</td></tr> <tr><td>24B «104x27»</td><td>120.5</td><td>43.5</td><td>*75,5</td></tr> <tr><td>32B «77x62»</td><td>94</td><td>83</td><td>89</td></tr> <tr><td>48B «104x62»</td><td>132</td><td>90</td><td>124</td></tr> </tbody> </table>	Size <i>Grandezza</i>	A	B	C	6B «44x27»	60	43.5	75	10B «57x27»	73.5	43.5	*75,5	16B «77x27»	94	43.5	*75,5	24B «104x27»	120.5	43.5	*75,5	32B «77x62»	94	83	89	48B «104x62»	132	90	124	32B «77x62»	M 32	7832.7135.6	7832.7135.1
	Size <i>Grandezza</i>	A	B	C																												
	6B «44x27»	60	43.5	75																												
	10B «57x27»	73.5	43.5	*75,5																												
	16B «77x27»	94	43.5	*75,5																												
	24B «104x27»	120.5	43.5	*75,5																												
	32B «77x62»	94	83	89																												
	48B «104x62»	132	90	124																												
	32B «77x62»	M 40	7832.6562.6	7832.6562.1																												
	32B «77x62»	Pg 29	7832.7134.6	7832.7134.1																												
32B «77x62»	Pg 36	7832.6512.6	7832.6512.1																													
48B «104x62»	M 32	7848.6566.6	7848.6566.1																													
48B «104x62»	M 40	7848.6567.6	7848.6567.1																													
48B «104x62»	M 50	7848.6568.6	7848.6568.1																													
48B «104x62»	Pg 29	7848.6516.6	7848.6516.1																													
48B «104x62»	Pg 36	7848.6517.6	7848.6517.1																													
48B «104x62»	Pg 42	7848.6518.6	7848.6518.1																													


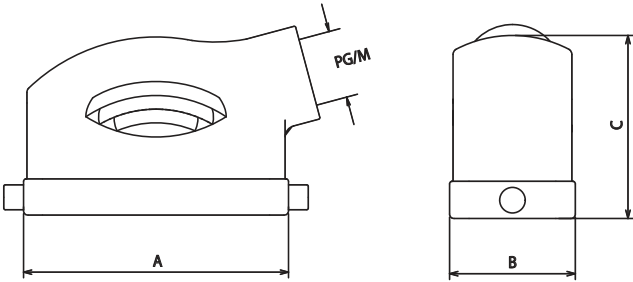
*For threads M40 and Pg29 C = 81 with hoods LS (Large Shape) type
 *Per filettature M40 e Pg29 C = 81 con custodie tipo LS

CE (RoHS) c RU us Type 4/4x/12 C SP US

- Type: HE for harsh environmental requirements and inserts up to 500V series: S-D, S-DD, S-E, S-ES, S-EP, S-EE, S-HSB, S-K, S-M
- Tipo: HE per ambienti aggressivi ed inserti fino a 500V serie: S-D, S-DD, S-E, S-ES, S-EP, S-EE, S-HSB, S-K, S-M
- IP66 / IP69 protection degree
 Grado di protezione IP66 / IP69


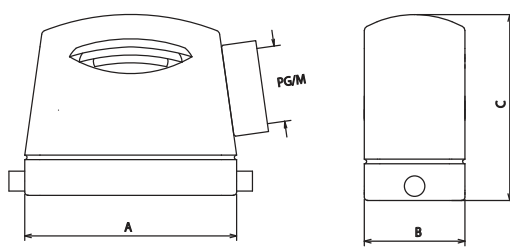
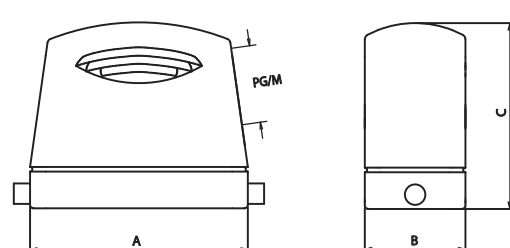
Recommended type for IP68 cable gland
 With threaded fitting for IP66 and IP68 cable gland

Tipo raccomandato per pressacavi IP68
 Con raccordo filettato per pressacavi IP66 e IP68

Hoods side entry with 2 pegs for one lever <i>Custodie ingresso orizzontale con 2 perni per una leva</i>	Size <i>Grandezza</i>	Thread <i>Filettatura</i>	Type HE Part No. - Codice																				
 <p data-bbox="336 750 734 801"> For harsh environmental requirements <i>Per ambienti aggressivi</i> </p>  <table border="1" data-bbox="240 1279 825 1487"> <thead> <tr> <th>Size Grandezza</th> <th>A</th> <th>B</th> <th>C</th> </tr> </thead> <tbody> <tr> <td>6B «44x27»</td> <td>60</td> <td>43.5</td> <td>47</td> </tr> <tr> <td>10B «57x27»</td> <td>73.5</td> <td>43.5</td> <td>52</td> </tr> <tr> <td>16B «77x27»</td> <td>94</td> <td>43.5</td> <td>63</td> </tr> <tr> <td>24B «104x27»</td> <td>120.5</td> <td>43.5</td> <td>63</td> </tr> </tbody> </table>	Size Grandezza	A	B	C	6B «44x27»	60	43.5	47	10B «57x27»	73.5	43.5	52	16B «77x27»	94	43.5	63	24B «104x27»	120.5	43.5	63	6B «44x27»	M 20	7806.6551.1
	Size Grandezza	A	B	C																			
	6B «44x27»	60	43.5	47																			
	10B «57x27»	73.5	43.5	52																			
	16B «77x27»	94	43.5	63																			
	24B «104x27»	120.5	43.5	63																			
	6B «44x27»	M 25	7806.6552.1																				
	6B «44x27»	Pg 13.5	7806.6501.1																				
	6B «44x27»	Pg 16	7806.6502.1																				
	10B «57x27»	M 20	7810.6555.1																				
	10B «57x27»	M 25	7810.6594.1																				
	10B «57x27»	Pg 16	7810.6505.1																				
	16B «77x27»	M 25	7816.6557.1																				
	16B «77x27»	M 32	7816.6549.1																				
	16B «77x27»	Pg 21	7816.6507.1																				
	16B «77x27»	Pg 29	7816.6550.1																				
24B «104x27»	M 25	7824.6559.1																					
24B «104x27»	M 32	7824.6925.1																					
24B «104x27»	Pg 21	7824.6509.1																					
24B «104x27»	Pg 29	7824.6614.1																					



- **Type:** HE for harsh environmental requirements and inserts up to 500V
series: S-D, S-DD, S-E, S-ES, S-EP, S-EE, S-HSB, S-K, S-M
- **Tipo:** HE per ambienti aggressivi ed inserti fino a 500V
serie: S-D, S-DD, S-E, S-ES, S-EP, S-EE, S-HSB, S-K, S-M
- IP66 / IP69 protection degree
Grado di protezione IP66 / IP69
- For IP66 and IP68 cable glands
Per pressacavi IP66 e IP68

Hoods side entry with 2 pegs for one lever <i>Custodie ingresso orizzontale con 2 perni per una leva</i>	Size <i>Grandezza</i>	Thread <i>Filettatura</i>	Without threaded fitting <i>senza raccordo filettato</i>	With threaded fitting <i>con raccordo filettato</i>																												
			Part No. - Codice	Part No. - Codice																												
 <p>For harsh environmental requirements <i>Per ambienti aggressivi</i></p>   <p>HC - High construction <i>HC - Costruzione alta</i></p> <table border="1"> <thead> <tr> <th>Size <i>Grandezza</i></th> <th>A</th> <th>B</th> <th>C</th> </tr> </thead> <tbody> <tr> <td>6B «44x27»</td> <td>60</td> <td>43.5</td> <td>80</td> </tr> <tr> <td>10B «57x27»</td> <td>73.5</td> <td>43.5</td> <td>*80</td> </tr> <tr> <td>16B «77x27»</td> <td>94</td> <td>43.5</td> <td>*80</td> </tr> <tr> <td>24B «104x27»</td> <td>120.5</td> <td>43.5</td> <td>*80</td> </tr> <tr> <td>32B «77x62»</td> <td>94</td> <td>83</td> <td>94</td> </tr> <tr> <td>48B «104x62»</td> <td>132</td> <td>90</td> <td>107</td> </tr> </tbody> </table>	Size <i>Grandezza</i>	A	B	C	6B «44x27»	60	43.5	80	10B «57x27»	73.5	43.5	*80	16B «77x27»	94	43.5	*80	24B «104x27»	120.5	43.5	*80	32B «77x62»	94	83	94	48B «104x62»	132	90	107	6B «44x27»	M 25	7806.6491.6	7806.6491.1
	Size <i>Grandezza</i>	A	B	C																												
	6B «44x27»	60	43.5	80																												
	10B «57x27»	73.5	43.5	*80																												
	16B «77x27»	94	43.5	*80																												
	24B «104x27»	120.5	43.5	*80																												
	32B «77x62»	94	83	94																												
	48B «104x62»	132	90	107																												
	6B «44x27»	M 32	7806.6492.6	7806.6492.1																												
	6B «44x27»	Pg 21	7806.6477.6	7806.6477.1																												
	6B «44x27»	Pg 29	7806.6478.6	7806.6478.1																												
	10B «57x27»	M 32	7810.6493.6	7810.6493.1																												
	10B «57x27»	M 40	7810.6494.6	7810.6494.1																												
	10B «57x27»	Pg 21	7810.6479.6	7810.6479.1																												
	10B «57x27»	Pg 29	7810.6480.6	7810.6480.1																												
	16B «77x27»	M 32	7816.6495.6	7816.6495.1																												
	16B «77x27»	M 40	7816.6496.6	7816.6496.1																												
	16B «77x27»	Pg 21	7816.6481.6	7816.6481.1																												
	16B «77x27»	Pg 29	7816.6482.6	7816.6482.1																												
	24B «104x27»	M 32	7824.6497.6	7824.6497.1																												
24B «104x27»	M 40	7824.6498.6	7824.6498.1																													
24B «104x27»	Pg 21	7824.6483.6	7824.6483.1																													
24B «104x27»	Pg 29	7824.6484.6	7824.6484.1																													
32B «77x62»	M 32	7832.7137.6	7832.7137.1																													
32B «77x62»	M 40	7832.6561.6	7832.6561.1																													
32B «77x62»	Pg 21	7832.7139.6	7832.7139.1																													
32B «77x62»	Pg 29	7832.7136.6	7832.7136.1																													
32B «77x62»	Pg 36	7832.6511.6	7832.6511.1																													
48B «104x62»	M 32	7848.6563.6	7848.6563.1																													
48B «104x62»	M 40	7848.6564.6	7848.6564.1																													
48B «104x62»	M 50	7848.6565.6	7848.6565.1																													
48B «104x62»	Pg 29	7848.6513.6	7848.6513.1																													
48B «104x62»	Pg 36	7848.6514.6	7848.6514.1																													
48B «104x62»	Pg 42	7848.6515.6	7848.6515.1																													


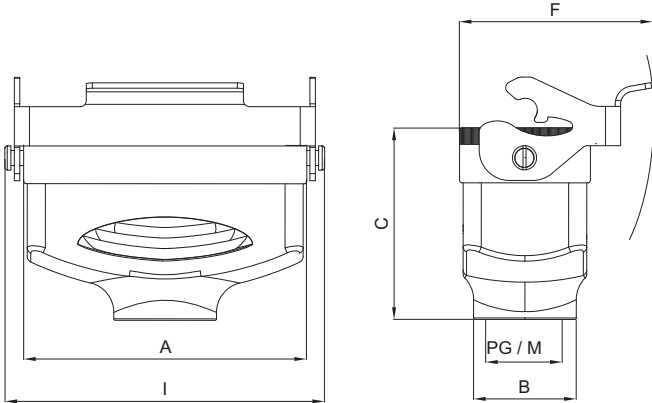
*For threads M40 and Pg29 C = 81 with hoods LS (Large Shape) type
 *Per filettature M40 e Pg29 C = 81 con custodie tipo LS

CE (RoHS) c RU US Type 4/4x/12 C SP US

- Type: HE for harsh environmental requirements and inserts up to 500V series: S-D, S-DD, S-E, S-ES, S-EP, S-EE, S-HSB, S-K, S-M
- Tipo: HE per ambienti aggressivi ed inserti fino a 500V serie: S-D, S-DD, S-E, S-ES, S-EP, S-EE, S-HSB, S-K, S-M
- IP66 / IP69 protection degree
 Grado di protezione IP66 / IP69


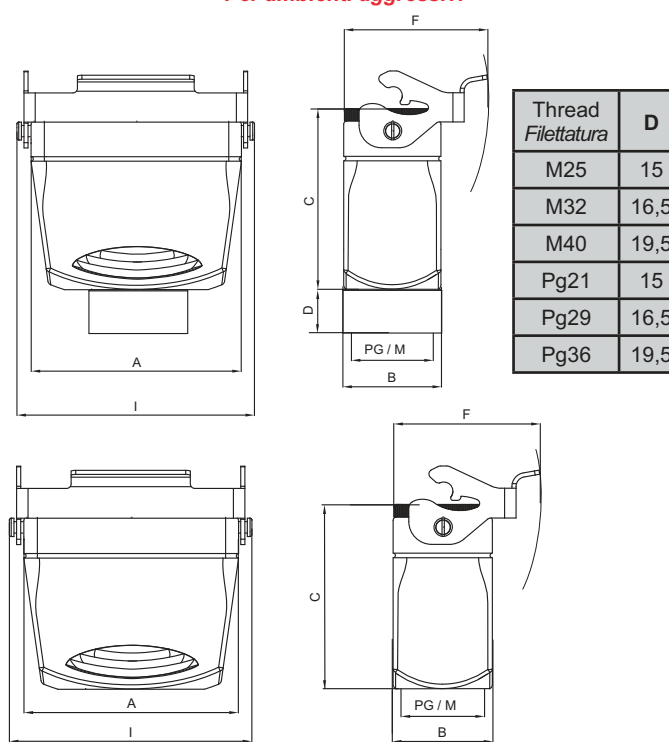
Recommended type for IP68 cable gland
Tipo raccomandato per pressacavi IP68

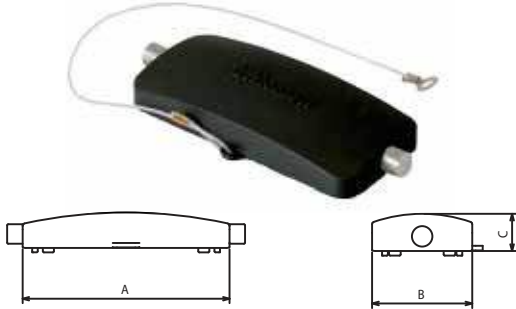

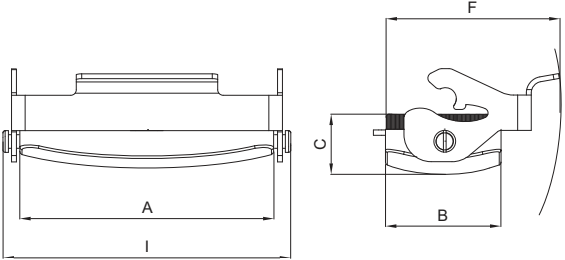

With threaded fitting for IP66 and IP68 cable gland
Con raccordo filettato per pressacavi IP66 e IP68

Hoods top entry with one lever and gasket <i>Custodie ingresso verticale con una leva e guarnizione</i>	Size <i>Grandezza</i>	Thread <i>Filettatura</i>	Type HE Part No. - Codice																														
 <p data-bbox="336 763 734 815">For harsh environmental requirements <i>Per ambienti aggressivi</i></p>  <table border="1" data-bbox="220 1294 850 1503"> <thead> <tr> <th>Size Grandezza</th> <th>A</th> <th>B</th> <th>C</th> <th>I</th> <th>F</th> </tr> </thead> <tbody> <tr> <td>6B «44x27»</td> <td>60</td> <td>43.5</td> <td>59</td> <td>70.5</td> <td>71</td> </tr> <tr> <td>10B «57x27»</td> <td>73.5</td> <td>43.5</td> <td>64</td> <td>84</td> <td>71</td> </tr> <tr> <td>16B «77x27»</td> <td>94</td> <td>43.5</td> <td>64</td> <td>104</td> <td>71</td> </tr> <tr> <td>24B «104x27»</td> <td>120.5</td> <td>43.5</td> <td>74</td> <td>131</td> <td>71</td> </tr> </tbody> </table>	Size Grandezza	A	B	C	I	F	6B «44x27»	60	43.5	59	70.5	71	10B «57x27»	73.5	43.5	64	84	71	16B «77x27»	94	43.5	64	104	71	24B «104x27»	120.5	43.5	74	131	71	6B «44x27»	M 20	7806.6592.1
	Size Grandezza	A	B	C	I	F																											
	6B «44x27»	60	43.5	59	70.5	71																											
	10B «57x27»	73.5	43.5	64	84	71																											
	16B «77x27»	94	43.5	64	104	71																											
	24B «104x27»	120.5	43.5	74	131	71																											
	6B «44x27»	M 25	7806.6581.1																														
	6B «44x27»	Pg 13.5	7806.6542.1																														
	6B «44x27»	Pg 16	7806.6531.1																														
	10B «57x27»	M 25	7810.6582.1																														
	10B «57x27»	Pg 16	7810.6532.1																														
	16B «77x27»	M 25	7816.6583.1																														
	16B «77x27»	Pg 21	7816.6533.1																														
24B «104x27»	M 32	7824.6584.1																															
24B «104x27»	Pg 21	7824.6534.1																															
24B «104x27»	Pg 29	7824.7147.1																															



- **Type:** HE for harsh environmental requirements and inserts up to 500V
series: S-D, S-DD, S-E, S-ES, S-EP, S-EE, S-HSB, S-K, S-M
- **Tipo:** HE per ambienti aggressivi ed inserti fino a 500V
serie: S-D, S-DD, S-E, S-ES, S-EP, S-EE, S-HSB, S-K, S-M
- IP66 / IP69 protection degree
Grado di protezione IP66 / IP69
- For IP66 and IP68 cable glands
Per pressacavi IP66 e IP68

Hoods top entry with one lever and gasket <i>Custodie ingresso verticale con una leva e guarnizione</i>	Size <i>Grandezza</i>	Thread <i>Filettatura</i>	Without threaded fitting <i>senza raccordo filettato</i>	With threaded fitting <i>con raccordo filettato</i>																																											
			Part No. - Codice	Part No. - Codice																																											
 <p>For harsh environmental requirements <i>Per ambienti aggressivi</i></p>  <p>HC - High construction <i>HC - Costruzione alta</i></p> <table border="1"> <thead> <tr> <th>Thread <i>Filettatura</i></th> <th>D</th> </tr> </thead> <tbody> <tr> <td>M25</td> <td>15</td> </tr> <tr> <td>M32</td> <td>16,5</td> </tr> <tr> <td>M40</td> <td>19,5</td> </tr> <tr> <td>Pg21</td> <td>15</td> </tr> <tr> <td>Pg29</td> <td>16,5</td> </tr> <tr> <td>Pg36</td> <td>19,5</td> </tr> </tbody> </table> <table border="1"> <thead> <tr> <th>Size <i>Grandezza</i></th> <th>A</th> <th>B</th> <th>C</th> <th>I</th> <th>F</th> </tr> </thead> <tbody> <tr> <td>10B «57x27»</td> <td>73.5</td> <td>43.5</td> <td>81</td> <td>84</td> <td>71</td> </tr> <tr> <td>16B «77x27»</td> <td>94</td> <td>43.5</td> <td>81,5</td> <td>104</td> <td>71</td> </tr> <tr> <td>24B «104x27»</td> <td>120.5</td> <td>43.5</td> <td>81,5</td> <td>131</td> <td>71</td> </tr> <tr> <td>32B «77x62»</td> <td>94</td> <td>83</td> <td>95</td> <td>104.5</td> <td>116</td> </tr> </tbody> </table>	Thread <i>Filettatura</i>	D	M25	15	M32	16,5	M40	19,5	Pg21	15	Pg29	16,5	Pg36	19,5	Size <i>Grandezza</i>	A	B	C	I	F	10B «57x27»	73.5	43.5	81	84	71	16B «77x27»	94	43.5	81,5	104	71	24B «104x27»	120.5	43.5	81,5	131	71	32B «77x62»	94	83	95	104.5	116	10B «57x27» M 25 7810.7008.6 7810.7008.1 10B «57x27» M 32 7810.7009.6 7810.7009.1 10B «57x27» Pg 21 7810.7107.6 7810.7107.1 10B «57x27» Pg 29 7810.7108.6 7810.7108.1 16B «77x27» M 25 7816.6461.6 7816.6461.1 16B «77x27» M 32 7816.6462.6 7816.6462.1 16B «77x27» Pg 21 7816.6439.6 7816.6439.1 16B «77x27» Pg 29 7816.6440.6 7816.6440.1 24B «104x27» M 25 7824.6463.6 7824.6463.1 24B «104x27» M 32 7824.6464.6 7824.6464.1 24B «104x27» Pg 21 7824.6441.6 7824.6441.1 24B «104x27» Pg 29 7824.6442.6 7824.6442.1 32B «77x62» M 40 7832.6585.6 7832.6585.1 32B «77x62» Pg 36 7832.6535.6 7832.6535.1	Recommended type for IP68 cable gland <i>Tipo raccomandato per pressacavi IP68</i>	With threaded fitting for IP66 and IP68 cable gland <i>Con raccordo filettato per pressacavi IP66 e IP68</i>
	Thread <i>Filettatura</i>	D																																													
	M25	15																																													
	M32	16,5																																													
	M40	19,5																																													
	Pg21	15																																													
	Pg29	16,5																																													
	Pg36	19,5																																													
	Size <i>Grandezza</i>	A	B	C	I	F																																									
	10B «57x27»	73.5	43.5	81	84	71																																									
	16B «77x27»	94	43.5	81,5	104	71																																									
	24B «104x27»	120.5	43.5	81,5	131	71																																									
	32B «77x62»	94	83	95	104.5	116																																									

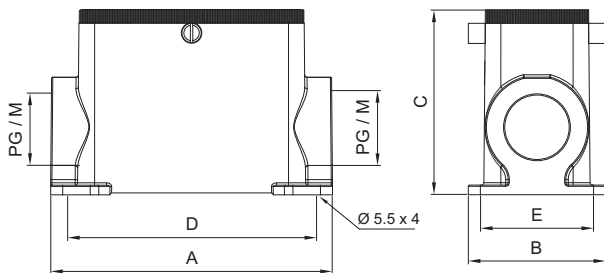
Cover with 2 pegs without gasket <i>Coperchi con due perni senza guarnizione</i>		Size <i>Grandezza</i>	Type HE Part No. - Codice																																				
 <table border="1" data-bbox="231 645 973 891"> <thead> <tr> <th>Size <i>Grandezza</i></th> <th>A</th> <th>B</th> <th>C</th> </tr> </thead> <tbody> <tr> <td>6B «44x27»</td> <td>60</td> <td>43</td> <td>16</td> </tr> <tr> <td>10B «57x27»</td> <td>73</td> <td>43</td> <td>16</td> </tr> <tr> <td>16B «77x27»</td> <td>94</td> <td>43</td> <td>16</td> </tr> <tr> <td>24B «104x27»</td> <td>120</td> <td>43</td> <td>17</td> </tr> <tr> <td>32B «77x62»</td> <td>94</td> <td>83</td> <td>18</td> </tr> </tbody> </table>		Size <i>Grandezza</i>	A	B	C	6B «44x27»	60	43	16	10B «57x27»	73	43	16	16B «77x27»	94	43	16	24B «104x27»	120	43	17	32B «77x62»	94	83	18	6B «44x27» 10B «57x27» 16B «77x27» 24B «104x27» 32B «77x62»	7806.6813.1 7810.6814.1 7816.6815.1 7824.6816.1 7832.6817.1												
Size <i>Grandezza</i>	A	B	C																																				
6B «44x27»	60	43	16																																				
10B «57x27»	73	43	16																																				
16B «77x27»	94	43	16																																				
24B «104x27»	120	43	17																																				
32B «77x62»	94	83	18																																				
 <ul style="list-style-type: none"> - Type: HE for harsh environmental requirements and inserts up to 500V, for hood/housing HE series - Tipo: HE per ambienti aggressivi e per inserti fino a 500V, per custodie serie HE - IP66 / IP69 protection degree Grado di protezione IP66 / IP69 																																							
Cover with one lever and gasket <i>Coperchi con una leva e guarnizione</i>		Size <i>Grandezza</i>	Type HE Part No. - Codice																																				
 <table border="1" data-bbox="215 1590 981 1836"> <thead> <tr> <th>Size <i>Grandezza</i></th> <th>A</th> <th>B</th> <th>C</th> <th>I</th> <th>F</th> </tr> </thead> <tbody> <tr> <td>6B «44x27»</td> <td>60</td> <td>43</td> <td>22</td> <td>70.5</td> <td>73</td> </tr> <tr> <td>10B «57x27»</td> <td>73</td> <td>43</td> <td>22</td> <td>83.5</td> <td>73</td> </tr> <tr> <td>16B «77x27»</td> <td>94</td> <td>43</td> <td>22</td> <td>104</td> <td>73</td> </tr> <tr> <td>24B «104x27»</td> <td>120</td> <td>43</td> <td>23</td> <td>130.5</td> <td>73</td> </tr> <tr> <td>32B «77x62»</td> <td>94</td> <td>83</td> <td>24</td> <td>104.5</td> <td>116</td> </tr> </tbody> </table>		Size <i>Grandezza</i>	A	B	C	I	F	6B «44x27»	60	43	22	70.5	73	10B «57x27»	73	43	22	83.5	73	16B «77x27»	94	43	22	104	73	24B «104x27»	120	43	23	130.5	73	32B «77x62»	94	83	24	104.5	116	6B «44x27» 10B «57x27» 16B «77x27» 24B «104x27» 32B «77x62»	7806.6818.1 7810.6819.1 7816.6820.1 7824.6821.1 7832.6822.1
Size <i>Grandezza</i>	A	B	C	I	F																																		
6B «44x27»	60	43	22	70.5	73																																		
10B «57x27»	73	43	22	83.5	73																																		
16B «77x27»	94	43	22	104	73																																		
24B «104x27»	120	43	23	130.5	73																																		
32B «77x62»	94	83	24	104.5	116																																		
 <ul style="list-style-type: none"> - Type: HE for harsh environmental requirements and inserts up to 500V, for hood/housing HE series - Tipo: HE per ambienti aggressivi e per inserti fino a 500V, per custodie serie HE - IP66 / IP69 protection degree Grado di protezione IP66 / IP69 																																							

Surface mounting housings with 2 pegs for one central lever
 Custodie da parete con 2 perni per leva centrale

Size Grandezza	Thread Filettatura	Type HE-HV Part No. - Codice	Type HE Part No. - Codice
-------------------	-----------------------	---------------------------------	------------------------------



For harsh environmental requirements
 Per ambienti aggressivi


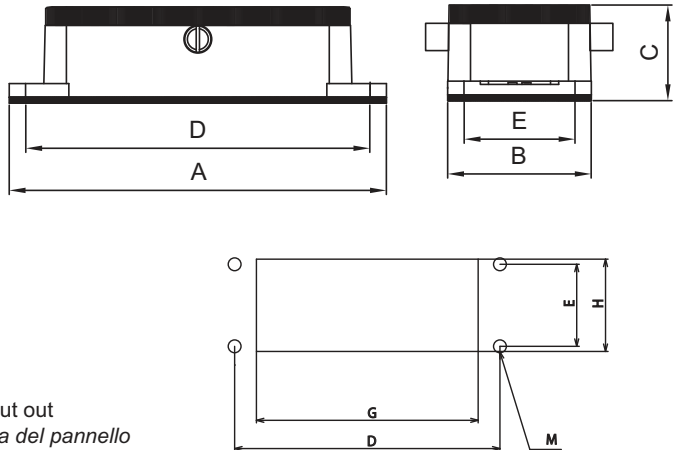


HC - High construction
 HC - Costruzione alta

Size Grandezza	A	B	C	D	E
6B «44x27»	83.5	57	72	70	40
10B «57x27»	97	57	73	82	40
16B «77x27»	117	57	77	105	45
24B «104x27»	143.5	57	80	132	45


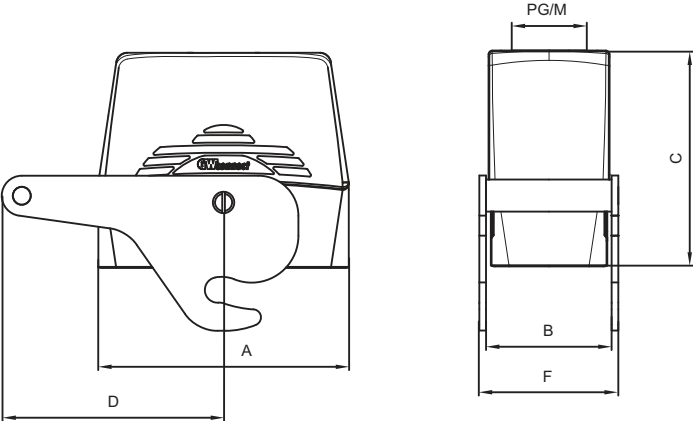


- Type: HE for harsh environmental requirements and inserts up to 500V series: S-D, S-DD, S-E, S-ES, S-EP, S-ESHV, S-EE,S-HSB, S-K, S-M, S-EHV with crimp contacts
 Type: HE-HV for harsh environmental requirements and inserts up to 830V series S-EHV screw terminals and S-HSB for applications over 500V up to 830V
- Tipo: HE per ambienti aggressivi ed inserti fino a 500V serie: S-D, S-DD, S-E, S-ES, S-EP, S-ESHV, S-EE,S-HSB, S-K, S-M, S-EHV con contatti a crimpare
 Tipo: HE-HV per ambienti aggressivi ed inserti fino a 830V serie: S-EHV con terminali a vite e S-HSB per applicazioni oltre 500V fino a 830V
- IP66 / IP69 protection degree
 Grado di protezione IP66 / IP69
- 2 entries
 2 ingressi

Bulkhead mounting housings with 2 pegs for one central lever <i>Custodie da incasso con 2 perni per leva centrale</i>	Size <i>Grandezza</i>	Type HE-HV <i>Part No. - Codice</i>	Type HE <i>Part No. - Codice</i>																																													
	 <p style="text-align: center;">For harsh environmental requirements <i>Per ambienti aggressivi</i></p>  <p>Panel cut out <i>Foratura del pannello</i></p> <table border="1" data-bbox="119 1310 901 1512"> <thead> <tr> <th>Size <i>Grandezza</i></th> <th>A</th> <th>B</th> <th>C</th> <th>D</th> <th>E</th> <th>G</th> <th>H</th> <th>M</th> </tr> </thead> <tbody> <tr> <td>6B «44x27»</td> <td>82</td> <td>44</td> <td>29.5</td> <td>70</td> <td>32</td> <td>53</td> <td>36</td> <td>4.5</td> </tr> <tr> <td>10B «57x27»</td> <td>95.5</td> <td>44</td> <td>29.5</td> <td>83</td> <td>32</td> <td>66.5</td> <td>36</td> <td>4.5</td> </tr> <tr> <td>16B «77x27»</td> <td>115.5</td> <td>44</td> <td>29.5</td> <td>103</td> <td>32</td> <td>86.5</td> <td>36</td> <td>4.5</td> </tr> <tr> <td>24B «104x27»</td> <td>142.5</td> <td>44</td> <td>29.5</td> <td>130</td> <td>32</td> <td>113</td> <td>36</td> <td>4.5</td> </tr> </tbody> </table>	Size <i>Grandezza</i>	A	B	C	D	E	G	H	M	6B «44x27»	82	44	29.5	70	32	53	36	4.5	10B «57x27»	95.5	44	29.5	83	32	66.5	36	4.5	16B «77x27»	115.5	44	29.5	103	32	86.5	36	4.5	24B «104x27»	142.5	44	29.5	130	32	113	36	4.5	6B «44x27»	
Size <i>Grandezza</i>		A	B	C	D	E	G	H	M																																							
6B «44x27»		82	44	29.5	70	32	53	36	4.5																																							
10B «57x27»		95.5	44	29.5	83	32	66.5	36	4.5																																							
16B «77x27»	115.5	44	29.5	103	32	86.5	36	4.5																																								
24B «104x27»	142.5	44	29.5	130	32	113	36	4.5																																								
	10B «57x27»	7810.5271.3	7810.5271.1																																													
	16B «77x27»	7816.5272.3	7816.5272.1																																													
	24B «104x27»	7824.5273.3	7824.5273 .1																																													


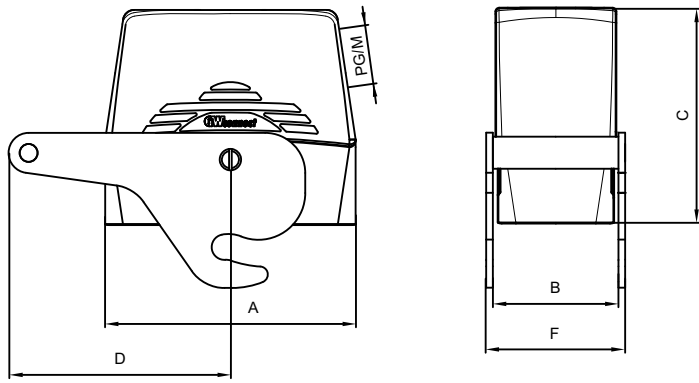


- Type: HE for harsh environmental requirements and inserts up to 500V series: S-D, S-DD, S-E, S-ES, S-EP, S-ESHV, S-EE,S-HSB, S-K, S-M, S-EHV with crimp contacts
 Type: HE-HV for harsh environmental requirements and inserts up to 830V series S-EHV screw terminals and S-HSB for applications over 500V up to 830V
- *Tipo: HE per ambienti aggressivi ed inserti fino a 500V serie: S-D, S-DD, S-E, S-ES, S-EP, S-ESHV, S-EE,S-HSB, S-K, S-M, S-EHV con contatti a crimpare*
Tipo: HE-HV per ambienti aggressivi ed inserti fino a 830V serie: S-EHV con terminali a vite e S-HSB per applicazioni oltre 500V fino a 830V.
- IP66 / IP69 protection degree
Grado di protezione IP66 / IP69

Hoods top entry with one central lever <i>Custodie ingresso verticale con una leva centrale</i>		Size <i>Grandezza</i>	Thread <i>Filettatura</i>	Type HE-HV Part No. - Codice	Type HE Part No. - Codice																														
 <p>For harsh environmental requirements <i>Per ambienti aggressivi</i></p>  <p>HC - High construction for IP68 cable glands <i>HC - Costruzione alta per pressacavi IP68</i></p> <table border="1"> <thead> <tr> <th>Size <i>Grandezza</i></th> <th>A</th> <th>B</th> <th>C</th> <th>D</th> <th>F</th> </tr> </thead> <tbody> <tr> <td>6B «44x27»</td> <td>60</td> <td>43.5</td> <td>77</td> <td>70</td> <td>56</td> </tr> <tr> <td>10B «57x27»</td> <td>73.5</td> <td>43.5</td> <td>77</td> <td>70</td> <td>56</td> </tr> <tr> <td>16B «77x27»</td> <td>94</td> <td>43.5</td> <td>77</td> <td>76</td> <td>56</td> </tr> <tr> <td>24B «104x27»</td> <td>120.5</td> <td>43.5</td> <td>77</td> <td>87</td> <td>56</td> </tr> </tbody> </table>		Size <i>Grandezza</i>	A	B	C	D	F	6B «44x27»	60	43.5	77	70	56	10B «57x27»	73.5	43.5	77	70	56	16B «77x27»	94	43.5	77	76	56	24B «104x27»	120.5	43.5	77	87	56	6B «44x27»	M 25		7806.5280.6
		Size <i>Grandezza</i>	A	B	C	D	F																												
		6B «44x27»	60	43.5	77	70	56																												
		10B «57x27»	73.5	43.5	77	70	56																												
		16B «77x27»	94	43.5	77	76	56																												
		24B «104x27»	120.5	43.5	77	87	56																												
		6B «44x27»	M 32		7806.5281.6																														
		10B «57x27»	M 32	7810.5285.8	7810.5285.6																														
		10B «57x27»	M 40	7810.5286.8	7810.5286.6																														
		16B «77x27»	M 32	7816.5290.8	7816.5290.6																														
16B «77x27»	M 40	7816.5291.8	7816.5291.6																																
24B «104x27»	M 32	7824.5295.8	7824.5295.6																																
24B «104x27»	M 40	7824.5296.8	7824.5296.6																																


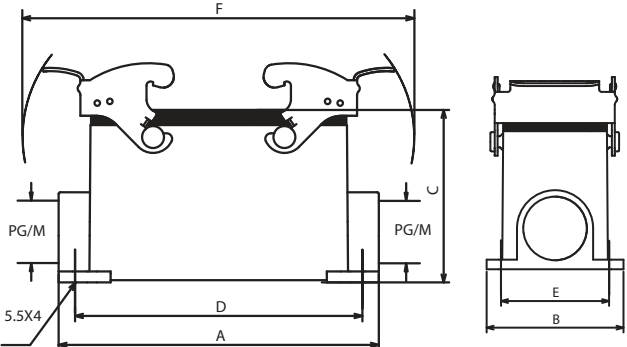


- Type: HE for harsh environmental requirements and inserts up to 500V series: S-D, S-DD, S-E, S-ES, S-EP, S-ESHV, S-EE, S-HSB, S-K, S-M, S-EHV with crimp contacts
 Type: HE-HV for harsh environmental requirements and inserts up to 830V series S-EHV screw terminals and S-HSB for applications over 500V up to 830V
- Tipo: HE per ambienti aggressivi ed inserti fino a 500V serie: S-D, S-DD, S-E, S-ES, S-EP, S-ESHV, S-EE, S-HSB, S-K, S-M, S-EHV con contatti a crimpare
 Tipo: HE-HV per ambienti aggressivi ed inserti fino a 830V serie: S-EHV con terminali a vite e S-HSB per applicazioni oltre 500V fino a 830V
- IP66 / IP69 protection degree
Grado di protezione IP66 / IP69
- Recommended type for IP68 cable glands
Tipo raccomandato per pressacavi IP68

Hoods side entry with one central lever <i>Custodie ingresso orizzontale con una leva centrale</i>	Size <i>Grandezza</i>	Thread <i>Filettatura</i>	Type HE-HV <i>Part No. - Codice</i>	Type HE <i>Part No. - Codice</i>																														
	 <p style="color: red; text-align: center;">For harsh environmental requirements Per ambienti aggressivi</p>  <p>HC - High Construction for IP68 cable glands HC - Costruzione alta per pressacavi IP68</p> <table border="1" style="width: 100%; text-align: center;"> <thead> <tr> <th>Size <i>Grandezza</i></th> <th>A</th> <th>B</th> <th>C</th> <th>D</th> <th>F</th> </tr> </thead> <tbody> <tr> <td>6B «44x27»</td> <td>60</td> <td>43.5</td> <td>80</td> <td>70</td> <td>56</td> </tr> <tr> <td>10B «57x27»</td> <td>73.5</td> <td>43.5</td> <td>81</td> <td>70</td> <td>56</td> </tr> <tr> <td>16B «77x27»</td> <td>94</td> <td>43.5</td> <td>81</td> <td>76</td> <td>56</td> </tr> <tr> <td>24B «104x27»</td> <td>120.5</td> <td>43.5</td> <td>81</td> <td>87</td> <td>56</td> </tr> </tbody> </table>	Size <i>Grandezza</i>	A	B	C	D	F	6B «44x27»	60	43.5	80	70	56	10B «57x27»	73.5	43.5	81	70	56	16B «77x27»	94	43.5	81	76	56	24B «104x27»	120.5	43.5	81	87	56	6B «44x27»	M 25	
Size <i>Grandezza</i>		A	B	C	D	F																												
6B «44x27»		60	43.5	80	70	56																												
10B «57x27»		73.5	43.5	81	70	56																												
16B «77x27»		94	43.5	81	76	56																												
24B «104x27»		120.5	43.5	81	87	56																												
6B «44x27»		M 32		7806.5300.6																														
10B «57x27»		M 25	7810.5304.8	7810.5304.6																														
10B «57x27»		M 32	7810.5305.8	7810.5305.6																														
10B «57x27»		M 40	7810.5306.8	7810.5306.6																														
16B «77x27»		M 25	7816.5309.8	7816.5309.6																														
16B «77x27»		M 32	7816.5310.8	7816.5310.6																														
16B «77x27»		M 40	7816.5311.8	7816.5311.6																														
24B «104x27»	M 25	7824.5314.8	7824.5314.6																															
24B «104x27»	M 32	7824.5315.8	7824.5315.6																															
24B «104x27»	M 40	7824.5316.8	7824.5316.6																															




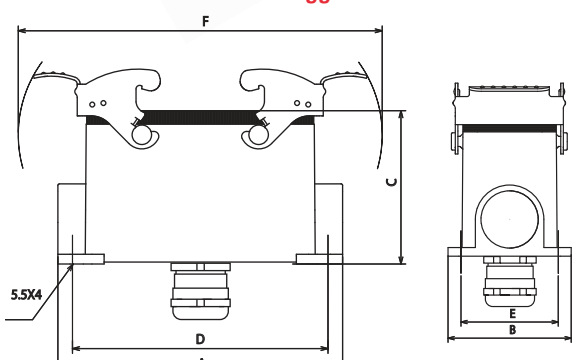
- Type: HE for harsh environmental requirements and inserts up to 500V series: S-D, S-DD, S-E, S-ES, S-EP, S-ESHV, S-EE,S-HSB, S-K, S-M, S-EHV with crimp contacts
 Type: HE-HV for harsh environmental requirements and inserts up to 830V series S-EHV screw terminals and S-HSB for applications over 500V up to 830V
- Tipo: HE per ambienti aggressivi ed inserti fino a 500V serie: S-D, S-DD, S-E, S-ES, S-EP, S-ESHV, S-EE,S-HSB, S-K, S-M, S-EHV con contatti a crimpare
 Tipo: HE-HV per ambienti aggressivi ed inserti fino a 830V serie: S-EHV con terminali a vite e S-HSB per applicazioni oltre 500V fino a 830V
- IP66 / IP69 protection degree
 Grado di protezione IP66 / IP69
- Recommended type for IP68 cable glands
 Tipo raccomandato per pressacavi IP68

Surface mounting housings Custodie da parete	Size Grandezza	Thread Filettatura	Type HE-HV	Type HE
			Part No. - Codice	Part No. - Codice
 <p style="color: red; text-align: center;">For harsh environmental requirements Per ambienti aggressivi</p> 	10B «57x27»	M 20	7810.6372.3	7810.6372.1
	10B «57x27»	M 20X2	7810.6373.3	7810.6373.1
	10B «57x27»	Pg 16	7810.6322.3	7810.6322.1
	10B «57x27»	Pg 16X2	7810.6323.3	7810.6323.1
	16B «77x27»	M 25	7816.6374.3	7816.6374.1
	16B «77x27»	M 25X2	7816.6375.3	7816.6375.1
	16B «77x27»	Pg 21	7816.6324.3	7816.6324.1
	16B «77x27»	Pg 21X2	7816.6325.3	7816.6325.1
	24B «104x27»	M 25	7824.6376.3	7824.6376.1
	24B «104x27»	M 25X2	7824.6377.3	7824.6377.1
	24B «104x27»	Pg 21	7824.6326.3	7824.6326.1
	24B «104x27»	Pg 21X2	7824.6327.3	7824.6327.1
	32B «77x62»	M 40	7832.6384.1	7832.6384.1
	32B «77x62»	M 40X2	7832.6385.1	7832.6385.1
	32B «77x62»	M 50	7832.6378.1	7832.6378.1
	32B «77x62»	M 50X2	7832.6379.1	7832.6379.1
	32B «77x62»	Pg 29	7832.6338.1	7832.6338.1
	32B «77x62»	Pg 29X2	7832.6339.1	7832.6339.1
	32B «77x62»	Pg 36	7832.6328.1	7832.6328.1
	32B «77x62»	Pg 36X2	7832.6329.1	7832.6329.1
32B «77x62»	Pg 42	7832.6340.1	7832.6340.1	
32B «77x62»	Pg 42X2	7832.6341.1	7832.6341.1	

Size Grandezza	A	B	C	D	E	F
10B «57x27»	97	57	57	82	40	123
16B «77x27»	117	57	63	105	45	143
24B «104x27»	143.5	57	63	132	45	170
32B «77x62»	125	84.5	87.5	112	67	143







- Type: HE for harsh environmental requirements and inserts up to 500V series: S-D, S-DD, S-E, S-ES, S-EP, S-ESHV, S-EE, S-HSB, S-K, S-M, S-EHV with crimp contacts
 Type: HE-HV for harsh environmental requirements and inserts up to 830V series S-EHV screw terminals and S-HSB for applications over 500V up to 830V
- Tipo: HE per ambienti aggressivi ed inserti fino a 500V serie: S-D, S-DD, S-E, S-ES, S-EP, S-ESHV, S-EE, S-HSB, S-K, S-M, S-EHV con contatti a crimpare
 Tipo: HE-HV per ambienti aggressivi ed inserti fino a 830V serie: S-EHV con terminali a vite e S-HSB per applicazioni oltre 500V fino a 830V
- IP66 / IP69 protection degree
 Grado di protezione IP66 / IP69
- 1 entry or 2 entries
 1 o 2 ingressi


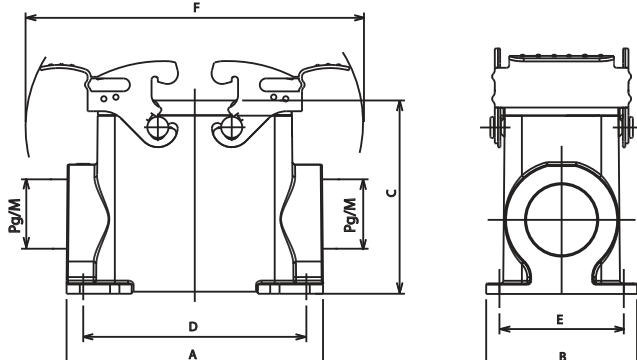


Bottom entry surface mounting housings Custodie da parete con un ingresso sul fondo	Size Grandezza	Thread Filettatura	Type HE-HV Part No. - Codice	Type HE Part No. - Codice
	 <p style="text-align: center;">IP68</p> <p style="text-align: center; color: red;">For harsh environmental requirements Per ambienti aggressivi</p> 	10B «57x27»	M 20	7810.7562.3
10B «57x27»		M 25	7810.7563.3	7810.7563.1
16B «77x27»		M 20	7816.7564.3	7816.7564.1
16B «77x27»		M 25	7816.7565.3	7816.7565.1
24B «104x27»		M 20	7824.7566.3	7824.7566.1
24B «104x27»		M 25	7824.7567.3	7824.7567.1
32B «77x62»		M 32	7832.7568.3	7832.7568.1
32B «77x62»		M 40	7832.7569.3	7832.7569.1
32B «77x62»		M 50	7832.7570.3	7832.7570.1


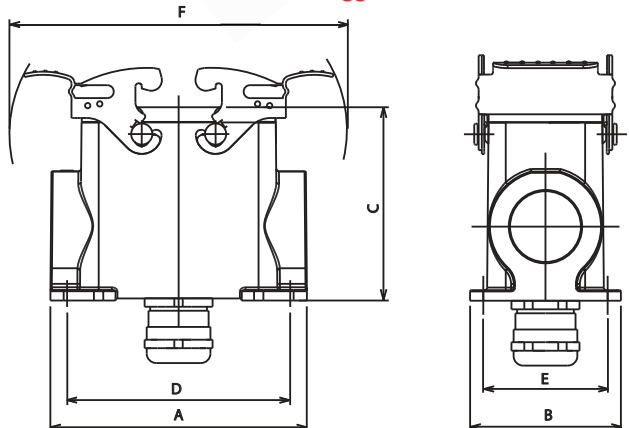




Size Grandezza	A	B	C	D	E	F
10B «57x27»	97	57	57	82	40	123
16B «77x27»	117	57	63	105	45	143
24B «104x27»	143.5	57	63	132	45	170
32B «77x62»	125	84.5	87.5	112	67	143


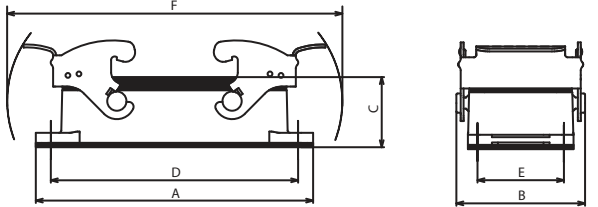
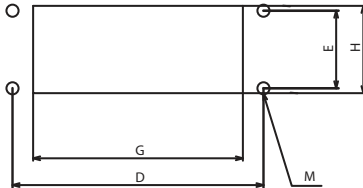




Thread - Filettatura	M 20	M 25	M 32	M 40	M 50
Cable dia - dia Cavo	8 - 14	11 - 18	14 - 21	19 - 28	24 - 38


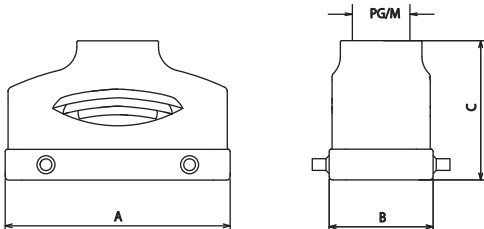





- Type: HE for harsh environmental requirements and inserts up to 500V series: S-D, S-DD, S-E, S-ES, S-EP, S-ESHV, S-EE, S-HSB, S-K, S-M, S-EHV with crimp contacts
 Type: HE-HV for harsh environmental requirements and inserts up to 830V series S-EHV screw terminals and S-HSB for applications over 500V up to 830V
- Tipo: HE per ambienti aggressivi ed inserti fino a 500V serie: S-D, S-DD, S-E, S-ES, S-EP, S-ESHV, S-EE, S-HSB, S-K, S-M, S-EHV con contatti a crimpare
 Tipo: HE-HV per ambienti aggressivi ed inserti fino a 830V serie: S-EHV con terminali a vite e S-HSB per applicazioni oltre 500V fino a 830V
- IP66 / IP69 protection degree
 Grado di protezione IP66 / IP69
- 1 bottom entry
 1 ingresso sul fondo

Surface mounting housings Custodie da parete	Size Grandezza	Thread Filettatura	Type HE-HV	Type HE																												
			Part No. - Codice	Part No. - Codice																												
	10B «57x27»	M 25	7810.7458.3	7810.7458.1																												
	10B «57x27»	M 25X2	7810.7459.3	7810.7459.1																												
	10B «57x27»	M 32	7810.7460.3	7810.7460.1																												
	10B «57x27»	M 32X2	7810.7461.3	7810.7461.1																												
	10B «57x27»	M 40	7810.7462.3	7810.7462.1																												
	10B «57x27»	M 40X2	7810.7463.3	7810.7463.1																												
	10B «57x27»	Pg 21	7810.7464.3	7810.7464.1																												
	10B «57x27»	Pg 21X2	7810.7465.3	7810.7465.1																												
	10B «57x27»	Pg 29	7810.7466.3	7810.7466.1																												
	10B «57x27»	Pg 29X2	7810.7467.3	7810.7467.1																												
<p style="color: red; text-align: center;">For harsh environmental requirements Per ambienti aggressivi</p>  <p>HC - High Construction HC - Costruzione alta</p> <table border="1" style="width: 100%; text-align: center;"> <thead> <tr> <th>Size Grandezza</th> <th>A</th> <th>B</th> <th>C</th> <th>D</th> <th>E</th> <th>F</th> </tr> </thead> <tbody> <tr> <td>10B «57x27»</td> <td>97</td> <td>57</td> <td>73</td> <td>82</td> <td>40</td> <td>127</td> </tr> <tr> <td>16B «77x27»</td> <td>117</td> <td>57</td> <td>77</td> <td>105</td> <td>45</td> <td>147</td> </tr> <tr> <td>24B «104x27»</td> <td>143.5</td> <td>57</td> <td>80</td> <td>132</td> <td>45</td> <td>174</td> </tr> </tbody> </table>	Size Grandezza	A	B	C	D	E	F	10B «57x27»	97	57	73	82	40	127	16B «77x27»	117	57	77	105	45	147	24B «104x27»	143.5	57	80	132	45	174	16B «77x27»	M 25X2	7816.7468.3	7816.7468.1
	Size Grandezza	A	B	C	D	E	F																									
	10B «57x27»	97	57	73	82	40	127																									
	16B «77x27»	117	57	77	105	45	147																									
	24B «104x27»	143.5	57	80	132	45	174																									
	16B «77x27»	M 32	7816.7469.3	7816.7469.1																												
	16B «77x27»	M 32X2	7816.7470.3	7816.7470.1																												
	16B «77x27»	M 40	7816.7471.3	7816.7471.1																												
	16B «77x27»	M 40X2	7816.7472.3	7816.7472.1																												
	16B «77x27»	Pg 21	7816.7473.3	7816.7473.1																												
16B «77x27»	Pg 21X2	7816.7474.3	7816.7474.1																													
16B «77x27»	Pg 29	7816.7475.3	7816.7475.1																													
16B «77x27»	Pg 29X2	7816.7476.3	7816.7476.1																													
<p>CE (RoHS)  </p> <ul style="list-style-type: none"> - Type: HE for harsh environmental requirements and inserts up to 500V series: S-D, S-DD, S-E, S-ES, S-EP, S-ESHV, S-EE, S-HSB, S-K, S-M, S-EHV with crimp contacts <li style="padding-left: 20px;">Type: HE-HV for harsh environmental requirements and inserts up to 830V series S-EHV screw terminals and S-HSB for applications over 500V up to 830V - Tipo: HE per ambienti aggressivi ed inserti fino a 500V serie: S-D, S-DD, S-E, S-ES, S-EP, S-ESHV, S-EE, S-HSB, S-K, S-M, S-EHV con contatti a crimpare <li style="padding-left: 20px;">Tipo: HE-HV per ambienti aggressivi ed inserti fino a 830V serie: S-EHV con terminali a vite e S-HSB per applicazioni oltre 500V fino a 830V - IP66 / IP69 protection degree Grado di protezione IP66 / IP69 - 1 entry or 2 entries 1 o 2 ingressi 	24B «104x27»	M 32	7824.7478.3	7824.7478.1																												
	24B «104x27»	M 32X2	7824.7479.3	7824.7479.1																												
	24B «104x27»	M 40	7824.7480.3	7824.7480.1																												
	24B «104x27»	M 40X2	7824.7481.3	7824.7481.1																												
	24B «104x27»	Pg 21	7824.7482.3	7824.7482.1																												
	24B «104x27»	Pg 21X2	7824.7483.3	7824.7483.1																												
	24B «104x27»	Pg 29	7824.7484.3	7824.7484.1																												
	24B «104x27»	Pg 29X2	7824.7485.3	7824.7485.1																												

Bottom entry surface mounting housings Custodie da parete con un ingresso sul fondo	Size Grandezza	Thread Filettatura	Type HE-HV Part No. - Codice	Type HE Part No. - Codice																																		
	 <p>IP68</p> <p>For harsh environmental requirements Per ambienti aggressivi</p>  <p>HC - High Construction HC - Costruzione alta</p> <table border="1" data-bbox="108 1321 805 1496"> <thead> <tr> <th>Size Grandezza</th> <th>A</th> <th>B</th> <th>C</th> <th>D</th> <th>E</th> <th>F</th> </tr> </thead> <tbody> <tr> <td>10B «57x27»</td> <td>97</td> <td>57</td> <td>73</td> <td>82</td> <td>40</td> <td>127</td> </tr> <tr> <td>16B «77x27»</td> <td>117</td> <td>57</td> <td>77</td> <td>105</td> <td>45</td> <td>147</td> </tr> <tr> <td>24B «104x27»</td> <td>143.5</td> <td>57</td> <td>80</td> <td>132</td> <td>45</td> <td>174</td> </tr> </tbody> </table> <table border="1" data-bbox="236 1505 678 1579"> <tr> <td>Thread - Filettatura</td> <td>M 25</td> <td>M 32</td> </tr> <tr> <td>Cable dia - dia Cavo</td> <td>11 - 18</td> <td>14 - 21</td> </tr> </table> <p>     </p> <ul style="list-style-type: none"> - Type: HE for harsh environmental requirements and inserts up to 500V series: S-D, S-DD, S-E, S-ES, S-EP, S-ESHV, S-EE,S-HSB, S-K, S-M, S-EHV with crimp contacts Type: HE-HV for harsh environmental requirements and inserts up to 830V series S-EHV screw terminals and S-HSB for applications over 500V up to 830V - Tipo: HE per ambienti aggressivi ed inserti fino a 500V serie: S-D, S-DD, S-E, S-ES, S-EP, S-ESHV, S-EE,S-HSB, S-K, S-M, S-EHV con contatti a crimpare Tipo: HE-HV per ambienti aggressivi ed inserti fino a 830V serie: S-EHV con terminali a vite e S-HSB per applicazioni oltre 500V fino a 830V - IP66 / IP69 protection degree Grado di protezione IP66 / IP69 - 1 bottom entry 1 ingresso sul fondo 	Size Grandezza	A	B	C	D	E	F	10B «57x27»	97	57	73	82	40	127	16B «77x27»	117	57	77	105	45	147	24B «104x27»	143.5	57	80	132	45	174	Thread - Filettatura	M 25	M 32	Cable dia - dia Cavo	11 - 18	14 - 21	10B «57x27»	M 25	7810.7573.3
Size Grandezza		A	B	C	D	E	F																															
10B «57x27»		97	57	73	82	40	127																															
16B «77x27»		117	57	77	105	45	147																															
24B «104x27»		143.5	57	80	132	45	174																															
Thread - Filettatura		M 25	M 32																																			
Cable dia - dia Cavo	11 - 18	14 - 21																																				
10B «57x27»	M 32	7810.7574.3	7810.7574.1																																			
16B «77x27»	M 25	7816.7575.3	7816.7575.1																																			
16B «77x27»	M 32	7816.7576.3	7816.7576.1																																			
24B «104x27»	M 25	7824.7577.3	7824.7577.1																																			
24B «104x27»	M 32	7824.7578.3	7824.7578.1																																			

Bulkhead mounting housings Custodie da incasso	Size Grandezza	Type HE-HV	Type HE																																																		
		Part No. - Codice	Part No. - Codice																																																		
 <p style="text-align: center; color: red;">For harsh environmental requirements Per ambienti aggressivi</p>  <p>Panel cut out Foratura del pannello</p> 	10B «57x27»	7810.6412.3	7810.6412.1																																																		
	16B «77x27»	7816.6413.3	7816.6413.1																																																		
	24B «104x27»	7824.6414.3	7824.6414.1																																																		
	32B «77x62»	7832.6415.1	7832.6415.1																																																		
<table border="1"> <thead> <tr> <th>Size Grandezza</th> <th>A</th> <th>B</th> <th>C</th> <th>D</th> <th>E</th> <th>F</th> <th>G</th> <th>H</th> <th>M</th> </tr> </thead> <tbody> <tr> <td>10B «57x27»</td> <td>95.5</td> <td>53.5</td> <td>29.5</td> <td>83</td> <td>32</td> <td>123</td> <td>66.5</td> <td>36</td> <td>4.5</td> </tr> <tr> <td>16B «77x27»</td> <td>115.5</td> <td>53.5</td> <td>29.5</td> <td>103</td> <td>32</td> <td>143</td> <td>86.5</td> <td>36</td> <td>4.5</td> </tr> <tr> <td>24B «104x27»</td> <td>142.5</td> <td>53.5</td> <td>29.5</td> <td>130</td> <td>32</td> <td>170</td> <td>113</td> <td>36</td> <td>4.5</td> </tr> <tr> <td>32B «77x62»</td> <td>124.5</td> <td>105</td> <td>35.5</td> <td>110</td> <td>65</td> <td>143</td> <td>87.5</td> <td>76.5</td> <td>5.5</td> </tr> </tbody> </table>	Size Grandezza	A	B	C	D	E	F	G	H	M	10B «57x27»	95.5	53.5	29.5	83	32	123	66.5	36	4.5	16B «77x27»	115.5	53.5	29.5	103	32	143	86.5	36	4.5	24B «104x27»	142.5	53.5	29.5	130	32	170	113	36	4.5	32B «77x62»	124.5	105	35.5	110	65	143	87.5	76.5	5.5			
Size Grandezza	A	B	C	D	E	F	G	H	M																																												
10B «57x27»	95.5	53.5	29.5	83	32	123	66.5	36	4.5																																												
16B «77x27»	115.5	53.5	29.5	103	32	143	86.5	36	4.5																																												
24B «104x27»	142.5	53.5	29.5	130	32	170	113	36	4.5																																												
32B «77x62»	124.5	105	35.5	110	65	143	87.5	76.5	5.5																																												
<p>     </p> <ul style="list-style-type: none"> - Type: HE for harsh environmental requirements and inserts up to 500V series: S-D, S-DD, S-E, S-ES, S-EP, S-ESHV, S-EE, S-HSB, S-K, S-M, S-EHV with crimp contacts Type: HE-HV for harsh environmental requirements and inserts up to 830V series S-EHV screw terminals and S-HSB for applications over 500V up to 830V - Tipo: HE per ambienti aggressivi ed inserti fino a 500V serie: S-D, S-DD, S-E, S-ES, S-EP, S-ESHV, S-EE, S-HSB, S-K, S-M, S-EHV con contatti a crimpare Tipo: HE-HV per ambienti aggressivi ed inserti fino a 830V serie: S-EHV con terminali a vite e S-HSB per applicazioni oltre 500V fino a 830V - IP66 / IP69 protection degree Grado di protezione IP66 / IP69 																																																					


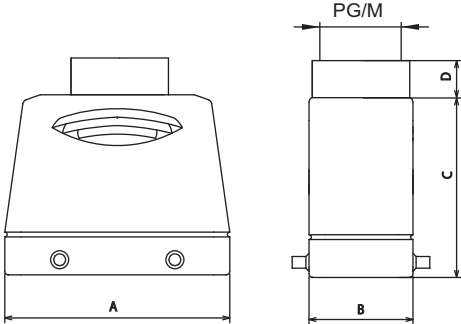
Hoods top entry with 4 pegs for two levers Custodie ingresso verticale con 4 perni per due leve	Size Grandezza	Thread Filettatura	Type HE-HV Part No. - Codice	Type HE Part No. - Codice																
	 <p style="color: red; text-align: center;">For harsh environmental requirements Per ambienti aggressivi</p>  <table border="1" data-bbox="132 1153 788 1326"> <thead> <tr> <th>Size Grandezza</th> <th>A</th> <th>B</th> <th>C</th> </tr> </thead> <tbody> <tr> <td>10B «57x27»</td> <td>73.5</td> <td>43.5</td> <td>58</td> </tr> <tr> <td>16B «77x27»</td> <td>94</td> <td>43.5</td> <td>58</td> </tr> <tr> <td>24B «104x27»</td> <td>120.5</td> <td>43.5</td> <td>68</td> </tr> </tbody> </table>	Size Grandezza	A	B	C	10B «57x27»	73.5	43.5	58	16B «77x27»	94	43.5	58	24B «104x27»	120.5	43.5	68	10B «57x27»	M 20	7810.6570.3
Size Grandezza		A	B	C																
10B «57x27»		73.5	43.5	58																
16B «77x27»		94	43.5	58																
24B «104x27»		120.5	43.5	68																
10B «57x27»		M 25	7810.6595.3	7810.6595.1																
10B «57x27»		Pg 16	7810.6520.3	7810.6520.1																
16B «77x27»		M 25	7816.6572.3	7816.6572.1																
16B «77x27»		M 32	7816.6921.3	7816.6921.1																
16B «77x27»		Pg 21	7816.6522.3	7816.6522.1																
16B «77x27»		Pg 29	7816.6546.3	7816.6546.1																
24B «104x27»		M 25	7824.6574.3	7824.6574.1																
24B «104x27»	M 32	7824.6926.3	7824.6926.1																	
24B «104x27»	Pg 21	7824.6524.3	7824.6524.1																	
24B «104x27»	Pg 29	7824.6543.3	7824.6543.1																	



US Type 4/4x/12




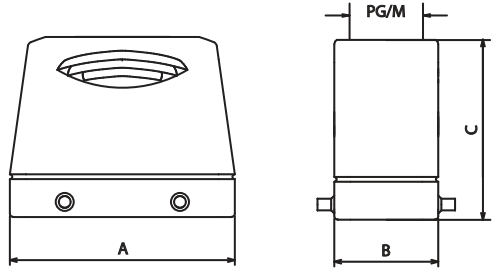
- Type: HE for harsh environmental requirements and inserts up to 500V series: S-D, S-DD, S-E, S-ES, S-EP, S-ESHV, S-EE, S-HSB, S-K S-M, S-EHV with crimp contacts
 Type: HE-HV for harsh environmental requirements and inserts up to 830V series S-EHV screw terminals and S-HSB for applications over 500V up to 830V
- Tipo: HE per ambienti aggressivi ed inserti fino a 500V serie: S-D, S-DD, S-E, S-ES, S-EP, S-ESHV, S-EE, S-HSB, S-K, S-M, S-EHV con contatti a crimpare
 Tipo: HE-HV per ambienti aggressivi ed inserti fino a 830V serie: S-EHV con terminali a vite e S-HSB per applicazioni oltre 500V fino a 830V
- IP66 / IP69 protection degree
 Grado di protezione IP66 / IP69
- For IP66 and IP68 cable glands
 Per pressacavi IP66 e IP68

Hoods top entry with 4 pegs for two levers Custodie ingresso verticale con 4 perni per due leve	Size Grandezza	Thread Filettatura	Type HE-HV Part No. - Codice	Type HE Part No. - Codice																																				
	 <p>For harsh environmental requirements Per ambienti aggressivi</p>  <p>HC - High Construction HC - Costruzione alta</p> <table border="1" data-bbox="156 1176 756 1274"> <thead> <tr> <th>Thread Filettatura</th> <th>M32</th> <th>M40</th> <th>M50</th> <th>Pg21</th> <th>Pg29</th> <th>Pg36</th> <th>Pg42</th> </tr> </thead> <tbody> <tr> <td>D</td> <td>16,5</td> <td>19,5</td> <td>22</td> <td>15</td> <td>16,5</td> <td>19,5</td> <td>22</td> </tr> </tbody> </table> <table border="1" data-bbox="130 1294 786 1503"> <thead> <tr> <th>Size Grandezza</th> <th>A</th> <th>B</th> <th>C</th> </tr> </thead> <tbody> <tr> <td>10B «57x27»</td> <td>73.5</td> <td>43.5</td> <td>*75,5</td> </tr> <tr> <td>16B «77x27»</td> <td>94</td> <td>43.5</td> <td>*75,5</td> </tr> <tr> <td>24B «104x27»</td> <td>120.5</td> <td>43.5</td> <td>*75,5</td> </tr> <tr> <td>32B «77x62»</td> <td>94</td> <td>83</td> <td>89</td> </tr> </tbody> </table>	Thread Filettatura	M32	M40	M50	Pg21	Pg29	Pg36	Pg42	D	16,5	19,5	22	15	16,5	19,5	22	Size Grandezza	A	B	C	10B «57x27»	73.5	43.5	*75,5	16B «77x27»	94	43.5	*75,5	24B «104x27»	120.5	43.5	*75,5	32B «77x62»	94	83	89	10B «57x27»	M 32	7810.6443.3
Thread Filettatura		M32	M40	M50	Pg21	Pg29	Pg36	Pg42																																
D		16,5	19,5	22	15	16,5	19,5	22																																
Size Grandezza		A	B	C																																				
10B «57x27»		73.5	43.5	*75,5																																				
16B «77x27»		94	43.5	*75,5																																				
24B «104x27»		120.5	43.5	*75,5																																				
32B «77x62»		94	83	89																																				
10B «57x27»		M 40	7810.6444.3	7810.6444.1																																				
10B «57x27»		Pg 21	7810.6421.3	7810.6421.1																																				
10B «57x27»		Pg 29	7810.6422.3	7810.6422.1																																				
16B «77x27»		M 32	7816.6445.3	7816.6445.1																																				
16B «77x27»		M 40	7816.6446.3	7816.6446.1																																				
16B «77x27»		Pg 21	7816.6423.3	7816.6423.1																																				
16B «77x27»		Pg 29	7816.6424.3	7816.6424.1																																				
24B «104x27»		M 32	7824.6447.3	7824.6447.1																																				
24B «104x27»		M 40	7824.6448.3	7824.6448.1																																				
24B «104x27»		Pg 21	7824.6425.3	7824.6425.1																																				
24B «104x27»		Pg 29	7824.6426.3	7824.6426.1																																				
32B «77x62»		M 32	7832.6578.1	7832.6578.1																																				
32B «77x62»		M 40	7832.6579.1	7832.6579.1																																				
32B «77x62»		M50	7832.6580.1	7832.6580.1																																				
32B «77x62»		Pg 29	7832.6528.1	7832.6528.1																																				
32B «77x62»		Pg 36	7832.6529.1	7832.6529.1																																				
32B «77x62»	Pg 42	7832.6530.1	7832.6530.1																																					

*For threads M40 and Pg29 C = 81 with hoods LS (Large Shape) type
 *Per filettature M40 e Pg29 C = 81 con custodie tipo LS




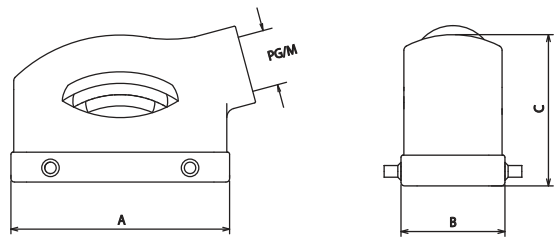
- Type: HE for harsh environmental requirements and inserts up to 500V series: S-D, S-DD, S-E, S-ES, S-EP, S-ESHV, S-EE, S-HSB, S-K, S-M, S-EHV with crimp contacts
 Type: HE-HV for harsh environmental requirements and inserts up to 830V series S-EHV screw terminals and S-HSB for applications over 500V up to 830V
- Tipo: HE per ambienti aggressivi ed inserti fino a 500V serie: S-D, S-DD, S-E, S-ES, S-EP, S-ESHV, S-EE, S-HSB, S-K, S-M, S-EHV con contatti a crimpare
 Tipo: HE-HV per ambienti aggressivi ed inserti fino a 830V serie: S-EHV con terminali a vite e S-HSB per applicazioni oltre 500V fino a 830V
- IP66 / IP69 protection degree
 Grado di protezione IP66 / IP69
- For IP66 and IP68 cable glands
 Per pressacavi IP66 e IP68

Hoods top entry with 4 pegs for two levers Custodie ingresso verticale con 4 perni per due leve	Size Grandezza	Thread Filettatura	Type HE-HV Part No. - Codice	Type HE Part No. - Codice																				
	 <p>For harsh environmental requirements Per ambienti aggressivi</p>  <p>HC - High Construction for IP68 cable glands HC - Costruzione alta per pressacavi IP68</p> <table border="1" data-bbox="127 1265 790 1489"> <thead> <tr> <th>Size Grandezza</th> <th>A</th> <th>B</th> <th>C</th> </tr> </thead> <tbody> <tr> <td>10B «57x27»</td> <td>73.5</td> <td>43.5</td> <td>*75,5</td> </tr> <tr> <td>16B «77x27»</td> <td>94</td> <td>43.5</td> <td>*75,5</td> </tr> <tr> <td>24B «104x27»</td> <td>120.5</td> <td>43.5</td> <td>*75,5</td> </tr> <tr> <td>32B «77x62»</td> <td>94</td> <td>83</td> <td>89</td> </tr> </tbody> </table>	Size Grandezza	A	B	C	10B «57x27»	73.5	43.5	*75,5	16B «77x27»	94	43.5	*75,5	24B «104x27»	120.5	43.5	*75,5	32B «77x62»	94	83	89	10B «57x27»	M 32	7810.6443.8
Size Grandezza		A	B	C																				
10B «57x27»		73.5	43.5	*75,5																				
16B «77x27»		94	43.5	*75,5																				
24B «104x27»		120.5	43.5	*75,5																				
32B «77x62»		94	83	89																				
10B «57x27»		M 40	7810.6444.8	7810.6444.6																				
10B «57x27»		Pg 21	7810.6421.8	7810.6421.6																				
10B «57x27»		Pg 29	7810.6422.8	7810.6422.6																				
16B «77x27»		M 32	7816.6445.8	7816.6445.6																				
16B «77x27»		M 40	7816.6446.8	7816.6446.6																				
16B «77x27»		Pg 21	7816.6423.8	7816.6423.6																				
16B «77x27»		Pg 29	7816.6424.8	7816.6424.6																				
24B «104x27»		M 32	7824.6447.8	7824.6447.6																				
24B «104x27»		M 40	7824.6448.8	7824.6448.6																				
24B «104x27»		Pg 21	7824.6425.8	7824.6425.6																				
24B «104x27»		Pg 29	7824.6426.8	7824.6426.6																				
32B «77x62»		M 32	7832.6578.6	7832.6578.6																				
32B «77x62»		M 40	7832.6579.6	7832.6579.6																				
32B «77x62»		M50	7832.6580.6	7832.6580.6																				
32B «77x62»	Pg 29	7832.6528.6	7832.6528.6																					
32B «77x62»	Pg 36	7832.6529.6	7832.6529.6																					
32B «77x62»	Pg 42	7832.6530.6	7832.6530.6																					

*For threads M40 and Pg29 C = 81 with hoods LS (Large Shape) type
 *Per filettature M40 e Pg29 C = 81 con custodie tipo LS


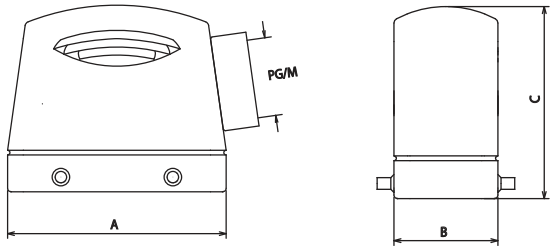


- Type: HE for harsh environmental requirements and inserts up to 500V series: S-D, S-DD, S-E, S-ES, S-EP, S-ESHV, S-EE,S-HSB, S-K S-M, S-EHV with crimp contacts
 Type: HE-HV for harsh environmental requirements and inserts up to 830V series S-EHV screw terminals and S-HSB for applications over 500V up to 830V
- Tipo: HE per ambienti aggressivi ed inserti fino a 500V serie: S-D, S-DD, S-E, S-ES, S-EP, S-ESHV, S-EE,S-HSB, S-K, S-M, S-EHV con contatti a crimpare
 Tipo: HE-HV per ambienti aggressivi ed inserti fino a 830V serie: S-EHV con terminali a vite e S-HSB per applicazioni oltre 500V fino a 830V
- IP66 / IP69 protection degree
 Grado di protezione IP66 / IP69
- Recommended type for IP68 cable glands
 Tipo raccomandato per pressacavi IP68

Hoods side entry with 4 pegs for two levers Custodie ingresso orizzontale con 4 perni per due leve	Size Grandezza	Thread Filettatura	Type HE-HV Part No. - Codice	Type HE Part No. - Codice																
	 <p>For harsh environmental requirements Per ambienti aggressivi</p>  <table border="1" data-bbox="119 1310 790 1489"> <thead> <tr> <th>Size Grandezza</th> <th>A</th> <th>B</th> <th>C</th> </tr> </thead> <tbody> <tr> <td>10B «57x27»</td> <td>73.5</td> <td>43.5</td> <td>52</td> </tr> <tr> <td>16B «77x27»</td> <td>94</td> <td>43.5</td> <td>63</td> </tr> <tr> <td>24B «104x27»</td> <td>120.5</td> <td>43.5</td> <td>63</td> </tr> </tbody> </table>	Size Grandezza	A	B	C	10B «57x27»	73.5	43.5	52	16B «77x27»	94	43.5	63	24B «104x27»	120.5	43.5	63	10B «57x27»	M 20	7810.6569.3
Size Grandezza		A	B	C																
10B «57x27»		73.5	43.5	52																
16B «77x27»		94	43.5	63																
24B «104x27»		120.5	43.5	63																
10B «57x27»		M 25	7810.6596.3	7810.6596.1																
10B «57x27»		Pg 16	7810.6519.3	7810.6519.1																
16B «77x27»		M 25	7816.6571.3	7816.6571.1																
16B «77x27»		M 32	7816.6922.3	7816.6922.1																
16B «77x27»		Pg 21	7816.6521.3	7816.6521.1																
16B «77x27»		Pg29	7816.6545.3	7816.6545.1																
24B «104x27»		M 25	7824.6573.3	7824.6573.1																
24B «104x27»		M 32	7824.6927.3	7824.6927.1																
24B «104x27»	Pg 21	7824.6523.3	7824.6523.1																	
24B «104x27»	Pg 29	7824.6544.3	7824.6544.1																	




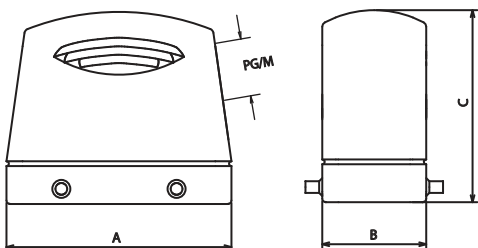
- Type: HE for harsh environmental requirements and inserts up to 500V series: S-D, S-DD, S-E, S-ES, S-EP, S-ESHV, S-EE, S-HSB, S-K S-M, S-EHV with crimp contacts
 Type: HE-HV for harsh environmental requirements and inserts up to 830V series S-EHV screw terminals and S-HSB for applications over 500V up to 830V
- Tipo: HE per ambienti aggressivi ed inserti fino a 500V serie: S-D, S-DD, S-E, S-ES, S-EP, S-ESHV, S-EE, S-HSB, S-K, S-M, S-EHV con contatti a crimpare
 Tipo: HE-HV per ambienti aggressivi ed inserti fino a 830V serie: S-EHV con terminali a vite e S-HSB per applicazioni oltre 500V fino a 830V
- IP66 / IP69 protection degree
 Grado di protezione IP66 / IP69
- For IP66 and IP68 cable glands
 Per pressacavi IP66 e IP68

Hoods side entry with 4 pegs for two levers <i>Custodie ingresso orizzontale con 4 perni per due leve</i>		Size <i>Grandezza</i>	Thread <i>Filettatura</i>	Type HE-HV <i>Part No. - Codice</i>	Type HE <i>Part No. - Codice</i>																				
 <p>For harsh environmental requirements <i>Per ambienti aggressivi</i></p>  <p>HC - High Construction <i>HC - Costruzione alta</i></p> <table border="1" data-bbox="103 1243 805 1456"> <thead> <tr> <th>Size <i>Grandezza</i></th> <th>A</th> <th>B</th> <th>C</th> </tr> </thead> <tbody> <tr> <td>10B «57x27»</td> <td>73.5</td> <td>43.5</td> <td>*80</td> </tr> <tr> <td>16B «77x27»</td> <td>94</td> <td>43.5</td> <td>*80</td> </tr> <tr> <td>24B «104x27»</td> <td>120.5</td> <td>43.5</td> <td>*80</td> </tr> <tr> <td>32B «77x62»</td> <td>94</td> <td>83</td> <td>94</td> </tr> </tbody> </table>		Size <i>Grandezza</i>	A	B	C	10B «57x27»	73.5	43.5	*80	16B «77x27»	94	43.5	*80	24B «104x27»	120.5	43.5	*80	32B «77x62»	94	83	94	10B «57x27»	M 32	7810.6485.3	7810.6485.1
		Size <i>Grandezza</i>	A	B	C																				
		10B «57x27»	73.5	43.5	*80																				
		16B «77x27»	94	43.5	*80																				
		24B «104x27»	120.5	43.5	*80																				
		32B «77x62»	94	83	94																				
		10B «57x27»	M 40	7810.6486.3	7810.6486.1																				
		10B «57x27»	Pg 21	7810.6471.3	7810.6471.1																				
		10B «57x27»	Pg 29	7810.6472.3	7810.6472.1																				
		16B «77x27»	M 32	7816.6487.3	7816.6487.1																				
		16B «77x27»	M 40	7816.6488.3	7816.6488.1																				
		16B «77x27»	Pg 21	7816.6473.3	7816.6473.1																				
		16B «77x27»	Pg 29	7816.6474.3	7816.6474.1																				
		24B «104x27»	M 32	7824.6489.3	7824.6489.1																				
		24B «104x27»	M 40	7824.6490.3	7824.6490.1																				
		24B «104x27»	Pg 21	7824.6475.3	7824.6475.1																				
24B «104x27»	Pg 29	7824.6476.3	7824.6476.1																						
32B «77x62»	M 32	7832.6575.1	7832.6575.1																						
32B «77x62»	M 40	7832.6576.1	7832.6576.1																						
32B «77x62»	M 50	7832.6577.1	7832.6577.1																						
32B «77x62»	Pg 21	7832.7142.1	7832.7142.1																						
32B «77x62»	Pg 29	7832.6525.1	7832.6525.1																						
32B «77x62»	Pg 36	7832.6526.1	7832.6526.1																						
32B «77x62»	Pg 42	7832.6527.1	7832.6527.1																						

*For threads M40 and Pg29 C = 81 with hoods LS (Large Shape) type
 *Per filettature M40 e Pg29 C = 81 con custodie tipo LS




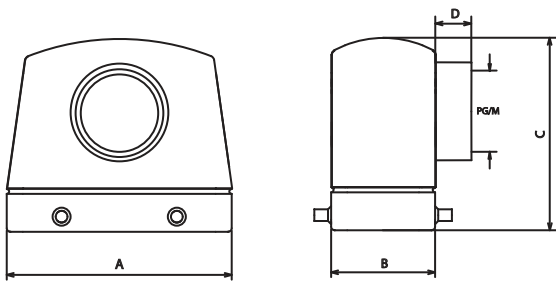
- Type: HE for harsh environmental requirements and inserts up to 500V series: S-D, S-DD, S-E, S-ES, S-EP, S-ESHV, S-EE,S-HSB, S-K S-M, S-EHV with crimp contacts
 Type: HE-HV for harsh environmental requirements and inserts up to 830V series S-EHV screw terminals and S-HSB for applications over 500V up to 830V
- Tipo: HE per ambienti aggressivi ed inserti fino a 500V serie: S-D, S-DD, S-E, S-ES, S-EP, S-ESHV, S-EE,S-HSB, S-K, S-M, S-EHV con contatti a crimpare
 Tipo: HE-HV per ambienti aggressivi ed inserti fino a 830V serie: S-EHV con terminali a vite e S-HSB per applicazioni oltre 500V fino a 830V
- IP66 / IP69 protection degree
Grado di protezione IP66 / IP69
- For IP66 and IP68 cable glands
Per pressacavi IP66 e IP68


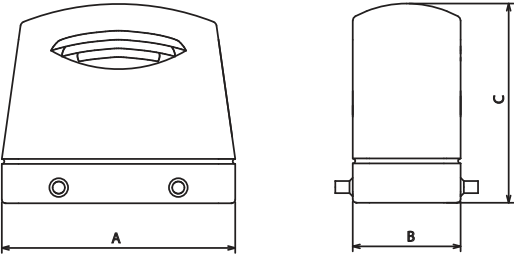
Hoods side entry with 4 pegs for two levers Custodie ingresso orizzontale con 4 perni per due leve	Size Grandezza	Thread Filettatura	Type HE-HV	Type HE																				
			Part No. - Codice	Part No. - Codice																				
 <p>For harsh environmental requirements Per ambienti aggressivi</p>  <p>HC - High Construction for IP68 cable glands HC - Costruzione alta per pressacavi IP68</p> <table border="1" data-bbox="111 1232 805 1444"> <thead> <tr> <th>Size Grandezza</th> <th>A</th> <th>B</th> <th>C</th> </tr> </thead> <tbody> <tr> <td>10B «57x27»</td> <td>73.5</td> <td>43.5</td> <td>*80</td> </tr> <tr> <td>16B «77x27»</td> <td>94</td> <td>43.5</td> <td>*80</td> </tr> <tr> <td>24B «104x27»</td> <td>120.5</td> <td>43.5</td> <td>*80</td> </tr> <tr> <td>32B «77x62»</td> <td>94</td> <td>63</td> <td>94</td> </tr> </tbody> </table>	Size Grandezza	A	B	C	10B «57x27»	73.5	43.5	*80	16B «77x27»	94	43.5	*80	24B «104x27»	120.5	43.5	*80	32B «77x62»	94	63	94	10B «57x27»	M 32	7810.6485.8	7810.6485.6
	Size Grandezza	A	B	C																				
	10B «57x27»	73.5	43.5	*80																				
	16B «77x27»	94	43.5	*80																				
	24B «104x27»	120.5	43.5	*80																				
	32B «77x62»	94	63	94																				
	10B «57x27»	M 40	7810.6486.8	7810.6486.6																				
	10B «57x27»	Pg 21	7810.6471.8	7810.6471.6																				
	10B «57x27»	Pg 29	7810.6472.8	7810.6472.6																				
	16B «77x27»	M 32	7816.6487.8	7816.6487.6																				
	16B «77x27»	M 40	7816.6488.8	7816.6488.6																				
	16B «77x27»	Pg 21	7816.6473.8	7816.6473.6																				
	16B «77x27»	Pg 29	7816.6474.8	7816.6474.6																				
	24B «104x27»	M 32	7824.6489.8	7824.6489.6																				
	24B «104x27»	M 40	7824.6490.8	7824.6490.6																				
	24B «104x27»	Pg 21	7824.6475.8	7824.6475.6																				
24B «104x27»	Pg 29	7824.6476.8	7824.6476.6																					
32B «77x62»	M 32	7832.6575.6	7832.6575.6																					
32B «77x62»	M 40	7832.6576.6	7832.6576.6																					
32B «77x62»	M 50	7832.6577.6	7832.6577.6																					
32B «77x62»	Pg 21	7832.7142.6	7832.7142.6																					
32B «77x62»	Pg 29	7832.6525.6	7832.6525.6																					
32B «77x62»	Pg 36	7832.6526.6	7832.6526.6																					
32B «77x62»	Pg 42	7832.6527.6	7832.6527.6																					

*For threads M40 and Pg29 C = 81 with hoods LS (Large Shape) type
 *Per filettature M40 e Pg29 C = 81 con custodie tipo LS




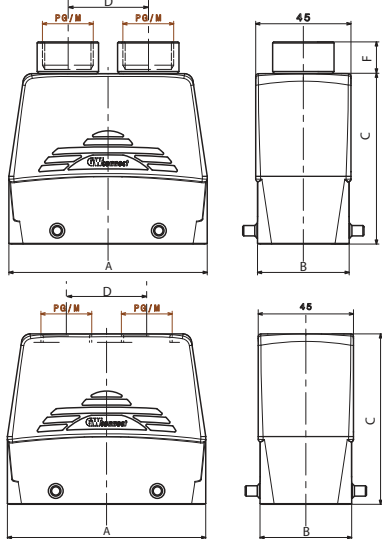

- Type: HE for harsh environmental requirements and inserts up to 500V series: S-D, S-DD, S-E, S-ES, S-EP, S-ESHV, S-EE, S-HSB, S-K S-M, S-EHV with crimp contacts
 Type: HE-HV for harsh environmental requirements and inserts up to 830V series S-EHV screw terminals and S-HSB for applications over 500V up to 830V
- Tipo: HE per ambienti aggressivi ed inserti fino a 500V serie: S-D, S-DD, S-E, S-ES, S-EP, S-ESHV, S-EE, S-HSB, S-K, S-M, S-EHV con contatti a crimpare
 Tipo: HE-HV per ambienti aggressivi ed inserti fino a 830V serie: S-EHV con terminali a vite e S-HSB per applicazioni oltre 500V fino a 830V
- IP66 / IP69 protection degree
 Grado di protezione IP66 / IP69
- Recommended type for IP68 cable glands
 Tipo raccomandato per pressacavi IP68


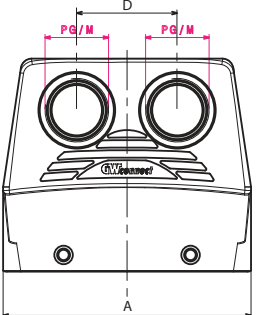
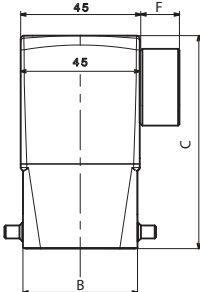
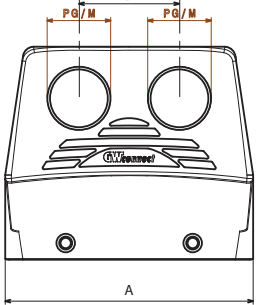
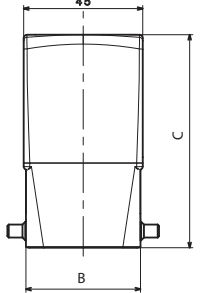
Hoods frontal entry with 4 pegs for two levers Custodie ingresso frontale con 4 perni per due leve	Size Grandezza	Thread Filettatura	Type HE-HV Part No. - Codice	Type HE Part No. - Codice																														
	 <p style="color: red; text-align: center;">For harsh environmental requirements Per ambienti aggressivi</p>  <p>HC - High Construction HC - Costruzione alta</p> <table border="1" style="margin-left: auto; margin-right: auto;"> <thead> <tr> <th>Size Grandezza</th> <th>A</th> <th>B</th> <th>C</th> </tr> </thead> <tbody> <tr> <td>10B «57x27»</td> <td>73.5</td> <td>43.5</td> <td>80</td> </tr> <tr> <td>16B «77x27»</td> <td>94</td> <td>43.5</td> <td>80</td> </tr> <tr> <td>24B «104x27»</td> <td>120.5</td> <td>43.5</td> <td>80</td> </tr> </tbody> </table> <table border="1" style="margin-left: auto; margin-right: auto;"> <thead> <tr> <th>Thread Filettatura</th> <th>M20</th> <th>M25</th> <th>M32</th> <th>Pg16</th> <th>Pg21</th> <th>Pg29</th> </tr> </thead> <tbody> <tr> <td>D</td> <td>14</td> <td>15</td> <td>16,5</td> <td>14</td> <td>15</td> <td>16,5</td> </tr> </tbody> </table>	Size Grandezza	A	B	C	10B «57x27»	73.5	43.5	80	16B «77x27»	94	43.5	80	24B «104x27»	120.5	43.5	80	Thread Filettatura	M20	M25	M32	Pg16	Pg21	Pg29	D	14	15	16,5	14	15	16,5	10B «57x27»	M 20	7810.7011.3
Size Grandezza		A	B	C																														
10B «57x27»		73.5	43.5	80																														
16B «77x27»		94	43.5	80																														
24B «104x27»		120.5	43.5	80																														
Thread Filettatura		M20	M25	M32	Pg16	Pg21	Pg29																											
D		14	15	16,5	14	15	16,5																											
10B «57x27»		Pg 16	7810.7109.3	7810.7109.1																														
16B «77x27»	M 25	7816.7021.3	7816.7021.1																															
16B «77x27»	Pg 21	7816.7113.3	7816.7113.1																															
24B «104x27»	M 25	7824.7032.3	7824.7032.1																															
24B «104x27»	M 32	7824.7033.3	7824.7033.1																															
24B «104x27»	Pg 21	7824.7120.3	7824.7120.1																															
24B «104x27»	Pg 29	7824.7121.3	7824.7121.1																															

Hoods without cable entry with 4 pegs for two levers <i>Custodie senza ingresso cavo con 4 perni per due leve</i>	Size <i>Grandezza</i>	Type HE-HV Part No. - Codice	Type HE Part No. - Codice																				
	 <p style="text-align: center; color: red;">For harsh environmental requirements Per ambienti aggressivi</p>  <p>HC - High Construction <i>HC - Costruzione alta</i></p> <table border="1" data-bbox="191 1377 880 1585"> <thead> <tr> <th>Size <i>Grandezza</i></th> <th>A</th> <th>B</th> <th>C</th> </tr> </thead> <tbody> <tr> <td>10B «57x27»</td> <td>73.5</td> <td>43.5</td> <td>80</td> </tr> <tr> <td>16B «77x27»</td> <td>94</td> <td>43.5</td> <td>80</td> </tr> <tr> <td>24B «104x27»</td> <td>120.5</td> <td>43.5</td> <td>80</td> </tr> <tr> <td>32B «77x62»</td> <td>94</td> <td>83</td> <td>94</td> </tr> </tbody> </table>	Size <i>Grandezza</i>	A	B	C	10B «57x27»	73.5	43.5	80	16B «77x27»	94	43.5	80	24B «104x27»	120.5	43.5	80	32B «77x62»	94	83	94	10B «57x27»	7810.7012.3
Size <i>Grandezza</i>		A	B	C																			
10B «57x27»		73.5	43.5	80																			
16B «77x27»		94	43.5	80																			
24B «104x27»	120.5	43.5	80																				
32B «77x62»	94	83	94																				
16B «77x27»	7816.7022.3	7816.7022.1																					
24B «104x27»	7824.7034.3	7824.7034.1																					
32B «77x62»	7832.7048.1	7832.7048.1																					




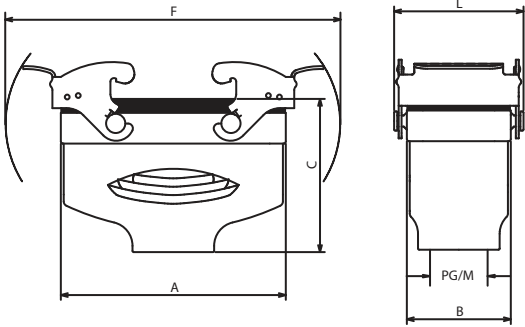
- Type: HE for harsh environmental requirements and inserts up to 500V series: S-D, S-DD, S-E, S-ES, S-EP, S-ESHV, S-EE, S-HSB, S-K, S-M, S-EHV with crimp contacts
 Type: HE-HV for harsh environmental requirements and inserts up to 830V series S-EHV screw terminals and S-HSB for applications over 500V up to 830V
- *Tipo: HE per ambienti aggressivi ed inserti fino a 500V serie: S-D, S-DD, S-E, S-ES, S-EP, S-ESHV, S-EE, S-HSB, S-K, S-M, S-EHV con contatti a crimpare*
Tipo: HE-HV per ambienti aggressivi ed inserti fino a 830V serie: S-EHV con terminali a vite e S-HSB per applicazioni oltre 500V fino a 830V
- IP66 / IP69 protection degree
Grado di protezione IP66 / IP69

Hoods with double top entry with 4 pegs for two levers Custodie con doppio ingresso verticale con 4 perni per due leve	Size Grandezza	Thread Filettatura	Type HE-HV	Type HE																																			
			Part No. - Codice	Part No. - Codice																																			
 <p style="color: red; text-align: center;">For harsh environmental requirements Per ambienti aggressivi</p> <p>HC - High Construction HC - Costruzione alta</p>  <table border="1" data-bbox="582 750 758 1108"> <thead> <tr> <th>Thread Filettatura</th> <th>F</th> </tr> </thead> <tbody> <tr><td>M20</td><td>14</td></tr> <tr><td>M25</td><td>15</td></tr> <tr><td>M32</td><td>16,5</td></tr> <tr><td>M40</td><td>19,5</td></tr> <tr><td>Pg13,5</td><td>14</td></tr> <tr><td>Pg16</td><td>14</td></tr> <tr><td>Pg21</td><td>15</td></tr> <tr><td>Pg29</td><td>16,5</td></tr> </tbody> </table> <table border="1" data-bbox="167 1355 750 1534"> <thead> <tr> <th>Size Grandezza</th> <th>A</th> <th>B</th> <th>C</th> <th>D</th> </tr> </thead> <tbody> <tr> <td>10B «57x27»</td> <td>73.5</td> <td>43.5</td> <td>81</td> <td>24</td> </tr> <tr> <td>16B «77x27»</td> <td>94</td> <td>43.5</td> <td>81</td> <td>38</td> </tr> <tr> <td>24B «104x27»</td> <td>120.5</td> <td>43.5</td> <td>81</td> <td>53</td> </tr> </tbody> </table> <p>  </p> <ul style="list-style-type: none"> - Type: HE for harsh environmental requirements and inserts up to 500V series: S-D, S-DD, S-E, S-ES, S-EP, S-ESHV, S-EE, S-HSB, S-K, S-M, S-EHV with crimp contacts Type: HE-HV for harsh environmental requirements and inserts up to 830V series S-EHV screw terminals and S-HSB for applications over 500V up to 830V - Tipo: HE per ambienti aggressivi ed inserti fino a 500V serie: S-D, S-DD, S-E, S-ES, S-EP, S-ESHV, S-EE, S-HSB, S-K, S-M, S-EHV con contatti a crimpare Tipo: HE-HV per ambienti aggressivi ed inserti fino a 830V serie: S-EHV con terminali a vite e S-HSB per applicazioni oltre 500V fino a 830V - IP66 / IP69 protection degree Grado di protezione IP66 / IP69 - For IP66 and IP68 cable glands. Without threaded fitting with IP68 cable gland only Per pressacavi IP66 e IP68. Senza canotto filettato solo con pressacavi IP68 	Thread Filettatura	F	M20	14	M25	15	M32	16,5	M40	19,5	Pg13,5	14	Pg16	14	Pg21	15	Pg29	16,5	Size Grandezza	A	B	C	D	10B «57x27»	73.5	43.5	81	24	16B «77x27»	94	43.5	81	38	24B «104x27»	120.5	43.5	81	53	<p style="text-align: center;">With threaded fitting Con canotto filettato</p> <p>10B «57x27» M 20x2 7810.6610.3 7810.6610.1</p> <p>10B «57x27» Pg 13,5x2 7810.6612.3 7810.6612.1</p> <p>16B «77x27» M 20x2 7816.6618.3 7816.6618.1</p> <p>16B «77x27» M 25x2 7816.6619.3 7816.6619.1</p> <p>16B «77x27» Pg16x2 7816.6621.3 7816.6621.1</p> <p>16B «77x27» Pg 21x2 7816.6622.3 7816.6622.1</p> <p>24B «104x27» M 32x2 7824.6625.3 7824.6625.1</p> <p>24B «104x27» M 40x2 7824.6626.3 7824.6626.1</p> <p>24B «104x27» Pg21x2 7824.6627.3 7824.6627.1</p> <p>24B «104x27» Pg 29x2 7824.6628.3 7824.6628.1</p> <p style="text-align: center;">Without threaded fitting Senza canotto filettato</p> <p>10B «57x27» M 20x2 7810.6610.8 7810.6610.6</p> <p>10B «57x27» Pg 13,5x2 7810.6612.8 7810.6612.6</p> <p>16B «77x27» M 20x2 7816.6618.8 7816.6618.6</p> <p>16B «77x27» M 25x2 7816.6619.8 7816.6619.6</p> <p>16B «77x27» Pg16x2 7816.6621.8 7816.6621.6</p> <p>16B «77x27» Pg 21x2 7816.6622.8 7816.6622.6</p> <p>24B «104x27» M 32x2 7824.6625.8 7824.6625.6</p> <p>24B «104x27» M 40x2 7824.6626.8 7824.6626.6</p> <p>24B «104x27» Pg21x2 7824.6627.8 7824.6627.6</p> <p>24B «104x27» Pg 29x2 7824.6628.8 7824.6628.6</p>
	Thread Filettatura	F																																					
	M20	14																																					
	M25	15																																					
	M32	16,5																																					
	M40	19,5																																					
	Pg13,5	14																																					
	Pg16	14																																					
	Pg21	15																																					
	Pg29	16,5																																					
	Size Grandezza	A	B	C	D																																		
	10B «57x27»	73.5	43.5	81	24																																		
	16B «77x27»	94	43.5	81	38																																		
	24B «104x27»	120.5	43.5	81	53																																		

Hoods with double frontal entry with 4 pegs for two levers <i>Custodie con doppio ingresso orizzontale con 4 perni per due leve</i>	Size <i>Grandezza</i>	Thread <i>Filettatura</i>	Type HE-HV Part No. - Codice	Type HE Part No. - Codice																					
 <p style="color: red; text-align: center;">For harsh environmental requirements <i>Per ambienti aggressivi</i></p> <p>HC - High Construction <i>HC - Costruzione alta</i></p> <div style="display: flex; justify-content: space-around;"> <div style="text-align: center;">  </div> <div style="text-align: center;">  </div> <div style="border: 1px solid black; padding: 5px;"> <table border="1"> <thead> <tr> <th>Thread <i>Filettatura</i></th> <th>F</th> </tr> </thead> <tbody> <tr> <td>M25</td> <td>15</td> </tr> <tr> <td>Pg21</td> <td>15</td> </tr> </tbody> </table> </div> </div> <div style="display: flex; justify-content: space-around; margin-top: 10px;"> <div style="text-align: center;">  </div> <div style="text-align: center;">  </div> </div> <table border="1" style="width: 100%; margin-top: 10px;"> <thead> <tr> <th>Size <i>Grandezza</i></th> <th>A</th> <th>B</th> <th>C</th> <th>D</th> </tr> </thead> <tbody> <tr> <td>16B «77x27»</td> <td>94</td> <td>43.5</td> <td>81</td> <td>36</td> </tr> <tr> <td>24B «104x27»</td> <td>120.5</td> <td>43.5</td> <td>81</td> <td>56</td> </tr> </tbody> </table>	Thread <i>Filettatura</i>	F	M25	15	Pg21	15	Size <i>Grandezza</i>	A	B	C	D	16B «77x27»	94	43.5	81	36	24B «104x27»	120.5	43.5	81	56	16B «77x27» M 25x2 16B «77x27» Pg 21x2 24B «104x27» M 25x2 24B «104x27» Pg 21x2	7816.6615.3 7816.6616.3 7824.6630.3 7824.6632.3	Type HE-HV Part No. - Codice	Type HE Part No. - Codice
	Thread <i>Filettatura</i>	F																							
	M25	15																							
	Pg21	15																							
	Size <i>Grandezza</i>	A	B	C	D																				
	16B «77x27»	94	43.5	81	36																				
	24B «104x27»	120.5	43.5	81	56																				
					With threaded fitting <i>Con canotto filettato</i> 7816.6615.1 7816.6616.1 7824.6630.1 7824.6632.1																				
				Without threaded fitting <i>Senza canotto filettato</i> 7816.6615.8 7816.6616.8 7824.6630.8 7824.6632.8																					


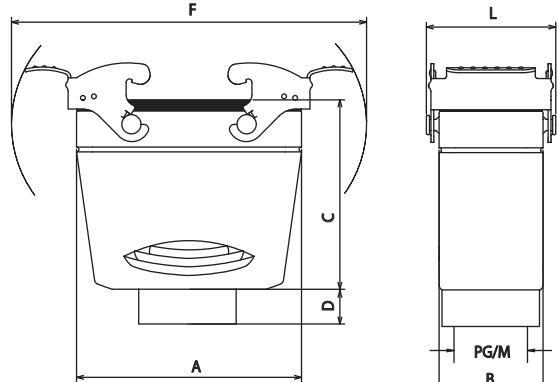


- Type: HE for harsh environmental requirements and inserts up to 500V series: S-D, S-DD, S-E, S-ES, S-EP, S-ESHV, S-EE, S-HSB, S-K, S-M, S-EHV with crimp contacts
 Type: HE-HV for harsh environmental requirements and inserts up to 830V series S-EHV screw terminals and S-HSB for applications over 500V up to 830V
- *Tipo: HE per ambienti aggressivi ed inserti fino a 500V serie: S-D, S-DD, S-E, S-ES, S-EP, S-ESHV, S-EE, S-HSB, S-K, S-M, S-EHV con contatti a crimpare*
Tipo: HE-HV per ambienti aggressivi ed inserti fino a 830V serie: S-EHV con terminali a vite e S-HSB per applicazioni oltre 500V fino a 830V
- IP66 / IP69 protection degree
Grado di protezione IP66 / IP69
- For IP66 and IP68 cable glands. Without threaded fitting with IP68 cable gland only
Per pressacavi IP66 e IP68. Senza canotto filettato solo con pressacavi IP68

Hoods top entry with two levers and gasket Custodie ingresso verticale con due leve e guarnizione	Size Grandezza	Thread Filettatura	Type HE-HV	Type HE																								
			Part No. - Codice	Part No. - Codice																								
 <p style="color: red; text-align: center;">For harsh environmental requirements Per ambienti aggressivi</p>  <table border="1" data-bbox="119 1290 799 1464"> <thead> <tr> <th>Size Grandezza</th> <th>A</th> <th>B</th> <th>C</th> <th>F</th> <th>L</th> </tr> </thead> <tbody> <tr> <td>10B «57x27»</td> <td>73.5</td> <td>43.5</td> <td>64</td> <td>123</td> <td>54</td> </tr> <tr> <td>16B «77x27»</td> <td>94</td> <td>43.5</td> <td>64</td> <td>143</td> <td>54</td> </tr> <tr> <td>24B «104x27»</td> <td>120.5</td> <td>43.5</td> <td>74</td> <td>170</td> <td>54</td> </tr> </tbody> </table>	Size Grandezza	A	B	C	F	L	10B «57x27»	73.5	43.5	64	123	54	16B «77x27»	94	43.5	64	143	54	24B «104x27»	120.5	43.5	74	170	54	10B «57x27»	M 20	7810.6598.3	7810.6598.1
	Size Grandezza	A	B	C	F	L																						
	10B «57x27»	73.5	43.5	64	123	54																						
	16B «77x27»	94	43.5	64	143	54																						
	24B «104x27»	120.5	43.5	74	170	54																						
	10B «57x27»	M 25	7810.6586.3	7810.6586.1																								
	10B «57x27»	Pg 16	7810.6536.3	7810.6536.1																								
	16B «77x27»	M 25	7816.6587.3	7816.6587.1																								
	16B «77x27»	M 32	7816.6923.3	7816.6923.1																								
16B «77x27»	Pg 21	7816.6537.3	7816.6537.1																									
24B «104x27»	M 32	7824.6588.3	7824.6588.1																									
24B «104x27»	Pg 21	7824.6538.3	7824.6538.1																									
24B «104x27»	Pg 29	7824.7146.3	7824.7146.1																									


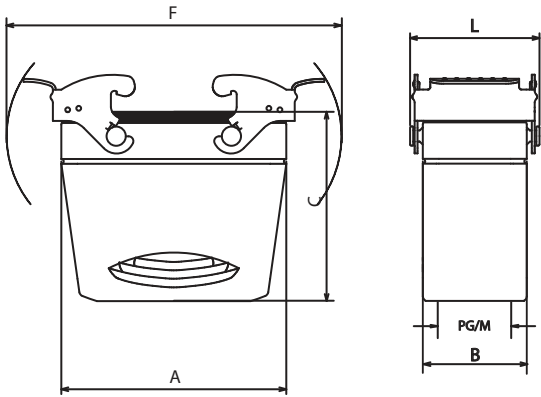


- Type: HE for harsh environmental requirements and inserts up to 500V series: S-D, S-DD, S-E, S-ES, S-EP, S-ESHV, S-EE, S-HSB, S-K, S-M, S-EHV with crimp contacts
 Type: HE-HV for harsh environmental requirements and inserts up to 830V series S-EHV screw terminals and S-HSB for applications over 500V up to 830V
- Tipo: HE per ambienti aggressivi ed inserti fino a 500V serie: S-D, S-DD, S-E, S-ES, S-EP, S-ESHV, S-EE, S-HSB, S-K, S-M, S-EHV con contatti a crimpare
 Tipo: HE-HV per ambienti aggressivi ed inserti fino a 830V serie: S-EHV con terminali a vite e S-HSB per applicazioni oltre 500V fino a 830V
- IP66 / IP69 protection degree
 Grado di protezione IP66 / IP69
- For IP66 and IP68 cable glands
 Per pressacavi IP66 e IP68

Hoods top entry with 2 two levers and gasket Custodie ingresso verticale con due leve e guarnizione		Size Grandezza	Thread Filettatura	Type HE-HV Part No. - Codice	Type HE Part No. - Codice																																																
 <p>For harsh environmental requirements Per ambienti aggressivi</p>  <p>HC - High Construction HC - Costruzione alta</p> <table border="1" data-bbox="119 1232 790 1332"> <thead> <tr> <th>Thread Filettatura</th> <th>M25</th> <th>M32</th> <th>M40</th> <th>M50</th> <th>Pg21</th> <th>Pg29</th> <th>Pg36</th> <th>Pg42</th> </tr> </thead> <tbody> <tr> <td>D</td> <td>15</td> <td>16,5</td> <td>19,5</td> <td>22</td> <td>15</td> <td>16,5</td> <td>19,5</td> <td>22</td> </tr> </tbody> </table> <table border="1" data-bbox="119 1344 790 1556"> <thead> <tr> <th>Size Grandezza</th> <th>A</th> <th>B</th> <th>C</th> <th>F</th> <th>L</th> </tr> </thead> <tbody> <tr> <td>10B «57x27»</td> <td>73.5</td> <td>43.5</td> <td>81</td> <td>123</td> <td>54</td> </tr> <tr> <td>16B «77x27»</td> <td>94</td> <td>43.5</td> <td>81,5</td> <td>143</td> <td>54</td> </tr> <tr> <td>24B «104x27»</td> <td>120.5</td> <td>43.5</td> <td>81,5</td> <td>170</td> <td>54</td> </tr> <tr> <td>32B «77x62»</td> <td>94</td> <td>83</td> <td>95</td> <td>143</td> <td>93.5</td> </tr> </tbody> </table>		Thread Filettatura	M25	M32	M40	M50	Pg21	Pg29	Pg36	Pg42	D	15	16,5	19,5	22	15	16,5	19,5	22	Size Grandezza	A	B	C	F	L	10B «57x27»	73.5	43.5	81	123	54	16B «77x27»	94	43.5	81,5	143	54	24B «104x27»	120.5	43.5	81,5	170	54	32B «77x62»	94	83	95	143	93.5	10B «57x27»	M 25	7810.7003.3	7810.7003.1
		Thread Filettatura	M25	M32	M40	M50	Pg21	Pg29	Pg36	Pg42																																											
		D	15	16,5	19,5	22	15	16,5	19,5	22																																											
		Size Grandezza	A	B	C	F	L																																														
		10B «57x27»	73.5	43.5	81	123	54																																														
		16B «77x27»	94	43.5	81,5	143	54																																														
		24B «104x27»	120.5	43.5	81,5	170	54																																														
		32B «77x62»	94	83	95	143	93.5																																														
		10B «57x27»	M 32	7810.7004.3	7810.7004.1																																																
		10B «57x27»	Pg 21	7810.7104.3	7810.7104.1																																																
		10B «57x27»	Pg 29	7810.7105.3	7810.7105.1																																																
		16B «77x27»	M 25	7816.6457.3	7816.6457.1																																																
		16B «77x27»	M 32	7816.6458.3	7816.6458.1																																																
		16B «77x27»	Pg 21	7816.6435.3	7816.6435.1																																																
		16B «77x27»	Pg 29	7816.6436.3	7816.6436.1																																																
		24B «104x27»	M 25	7824.6459.3	7824.6459.1																																																
24B «104x27»	M 32	7824.6460.3	7824.6460.1																																																		
24B «104x27»	Pg 21	7824.6437.3	7824.6437.1																																																		
24B «104x27»	Pg 29	7824.6438.3	7824.6438.1																																																		
32B «77x62»	M 32	7832.6589.1	7832.6589.1																																																		
32B «77x62»	M 40	7832.6590.1	7832.6590.1																																																		
32B «77x62»	M 50	7832.6591.1	7832.6591.1																																																		
32B «77x62»	Pg 29	7832.6539.1	7832.6539.1																																																		
32B «77x62»	Pg 36	7832.6540.1	7832.6540.1																																																		
32B «77x62»	Pg 42	7832.6541.1	7832.6541.1																																																		


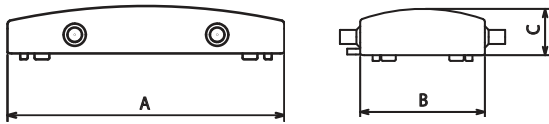


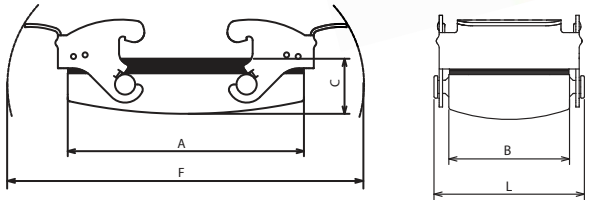




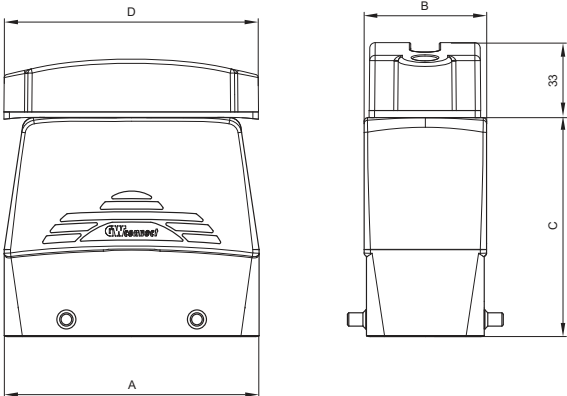
- Type: HE for harsh environmental requirements and inserts up to 500V series: S-D, S-DD, S-E, S-ES, S-EP, S-ESHV, S-EE,S-HSB, S-K, S-EHV with crimp contacts
 Type: HE-HV for harsh environmental requirements and inserts up to 830V series S-EHV screw terminals and S-HSB for applications over 500V up to 830V
- Tipo: HE per ambienti aggressivi ed inserti fino a 500V serie: S-D, S-DD, S-E, S-ES, S-EP, S-ESHV, S-EE,S-HSB, S-K, S-M, S-EHV con contatti a crimpare
 Tipo: HE-HV per ambienti aggressivi ed inserti fino a 830V serie: S-EHV con terminali a vite e S-HSB per applicazioni oltre 500V fino a 830V
- IP66 / IP69 protection degree
 Grado di protezione IP66 / IP69
- For IP66 and IP68 cable glands
 Per pressacavi IP66 e IP68

Hoods top entry with 2 two levers and gasket Custodie ingresso verticale con due leve e guarnizione	Size Grandezza	Thread Filettatura	Type HE-HV	Type HE																														
			Part No. - Codice	Part No. - Codice																														
 <p style="color: red; text-align: center;">For harsh environmental requirements Per ambienti aggressivi</p>  <p>HC - High Construction for IP68 cable glands HC - Costruzione alta per pressacavi IP68</p> <table border="1" data-bbox="110 1279 804 1491"> <thead> <tr> <th>Size Grandezza</th> <th>A</th> <th>B</th> <th>C</th> <th>F</th> <th>L</th> </tr> </thead> <tbody> <tr> <td>10B «57x27»</td> <td>73.5</td> <td>43.5</td> <td>81</td> <td>123</td> <td>54</td> </tr> <tr> <td>16B «77x27»</td> <td>94</td> <td>43.5</td> <td>81,5</td> <td>143</td> <td>54</td> </tr> <tr> <td>24B «104x27»</td> <td>120.5</td> <td>43.5</td> <td>81,5</td> <td>170</td> <td>54</td> </tr> <tr> <td>32B «77x62»</td> <td>94</td> <td>83</td> <td>95</td> <td>143</td> <td>93.5</td> </tr> </tbody> </table>	Size Grandezza	A	B	C	F	L	10B «57x27»	73.5	43.5	81	123	54	16B «77x27»	94	43.5	81,5	143	54	24B «104x27»	120.5	43.5	81,5	170	54	32B «77x62»	94	83	95	143	93.5	10B «57x27»	M 25	7810.7003.8	7810.7003.6
	Size Grandezza	A	B	C	F	L																												
	10B «57x27»	73.5	43.5	81	123	54																												
	16B «77x27»	94	43.5	81,5	143	54																												
	24B «104x27»	120.5	43.5	81,5	170	54																												
	32B «77x62»	94	83	95	143	93.5																												
	10B «57x27»	M 32	7810.7004.8	7810.7004.6																														
	10B «57x27»	Pg 21	7810.7104.8	7810.7104.6																														
	10B «57x27»	Pg 29	7810.7105.8	7810.7105.6																														
	16B «77x27»	M 25	7816.6457.8	7816.6457.6																														
	16B «77x27»	M 32	7816.6458.8	7816.6458.6																														
	16B «77x27»	Pg 21	7816.6435.8	7816.6435.6																														
	16B «77x27»	Pg 29	7816.6436.8	7816.6436.6																														
	24B «104x27»	M 25	7824.6459.8	7824.6459.6																														
	24B «104x27»	M 32	7824.6460.8	7824.6460.6																														
	24B «104x27»	Pg 21	7824.6437.8	7824.6437.6																														
24B «104x27»	Pg 29	7824.6438.8	7824.6438.6																															
32B «77x62»	M 32	7832.6589.6	7832.6589.6																															
32B «77x62»	M 40	7832.6590.6	7832.6590.6																															
32B «77x62»	M 50	7832.6591.6	7832.6591.6																															
32B «77x62»	Pg 29	7832.6539.6	7832.6539.6																															
32B «77x62»	Pg 36	7832.6540.6	7832.6540.6																															
32B «77x62»	Pg 42	7832.6541.6	7832.6541.6																															



- Type: HE for harsh environmental requirements and inserts up to 500V series: S-D, S-DD, S-E, S-ES, S-EP, S-ESHV, S-EE, S-HSB, S-K, S-M, S-EHV with crimp contacts
 Type: HE-HV for harsh environmental requirements and inserts up to 830V series S-EHV screw terminals and S-HSB for applications over 500V up to 830V
- Tipo: HE per ambienti aggressivi ed inserti fino a 500V serie: S-D, S-DD, S-E, S-ES, S-EP, S-ESHV, S-EE, S-HSB, S-K, S-M, S-EHV con contatti a crimpare
 Tipo: HE-HV per ambienti aggressivi ed inserti fino a 830V serie: S-EHV con terminali a vite e S-HSB per applicazioni oltre 500V fino a 830V
- IP66 / IP69 protection degree
 Grado di protezione IP66 / IP69
- Recommended type for IP68 cable glands
 Tipo raccomandato per pressacavi IP68

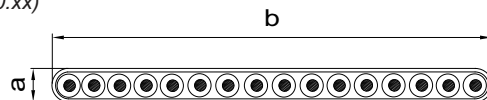
Covers with 4 pegs without gasket <i>Coperchi con 4 perni senza guarnizione</i>					Size <i>Grandezza</i>	Type HE-HV	Type HE																														
						Part No. - Codice		Part No. - Codice																													
 <p>For harsh environmental requirements <i>Per ambienti aggressivi</i></p>  <table border="1"> <thead> <tr> <th>Size <i>Grandezza</i></th> <th>A</th> <th>B</th> <th colspan="2">C</th> </tr> </thead> <tbody> <tr> <td>10B «57x27»</td> <td>73</td> <td>43</td> <td colspan="2">16</td> </tr> <tr> <td>16B «77x27»</td> <td>94</td> <td>43</td> <td colspan="2">16</td> </tr> <tr> <td>24B «104x27»</td> <td>120</td> <td>43</td> <td colspan="2">17</td> </tr> <tr> <td>32B «77x62»</td> <td>94</td> <td>83</td> <td colspan="2">18</td> </tr> </tbody> </table> <p>  - Type: HE for harsh environmental requirements and inserts up to 830V, for hood/housing HE and HE-HV series - Tipo: HE per ambienti aggressivi e per inserti fino a 830V, per custodie serie HE e HE-HV - IP66 / IP69 protection degree Grado di protezione IP66 / IP696 </p>					Size <i>Grandezza</i>	A	B	C		10B «57x27»	73	43	16		16B «77x27»	94	43	16		24B «104x27»	120	43	17		32B «77x62»	94	83	18		10B «57x27»	7810.6805.1	7810.6805.1					
					Size <i>Grandezza</i>	A	B	C																													
					10B «57x27»	73	43	16																													
					16B «77x27»	94	43	16																													
					24B «104x27»	120	43	17																													
32B «77x62»	94	83	18																																		
16B «77x27»	7816.6806.1	7816.6806.1																																			
24B «104x27»	7824.6807.1	7824.6807.1																																			
32B «77x62»	7832.6808.1	7832.6808.1																																			
Covers with 2 levers and gasket <i>Coperchi con due leve e guarnizione</i>					Size <i>Grandezza</i>	Type HE-HV	Type HE																														
 <p>For harsh environmental requirements <i>Per ambienti aggressivi</i></p>  <table border="1"> <thead> <tr> <th>Size <i>Grandezza</i></th> <th>A</th> <th>B</th> <th>C</th> <th>F</th> <th>L</th> </tr> </thead> <tbody> <tr> <td>10B «57x27»</td> <td>73</td> <td>43</td> <td>22</td> <td>123</td> <td>54</td> </tr> <tr> <td>16B «77x27»</td> <td>94</td> <td>43</td> <td>22</td> <td>143</td> <td>54</td> </tr> <tr> <td>24B «104x27»</td> <td>120</td> <td>43</td> <td>23</td> <td>170</td> <td>54</td> </tr> <tr> <td>32B «77x62»</td> <td>94</td> <td>83</td> <td>24</td> <td>143</td> <td>93.5</td> </tr> </tbody> </table> <p>  - Type: HE for harsh environmental requirements and inserts up to 830V, for hood/housing HE and HE-HV series - Tipo: HE per ambienti aggressivi e per inserti fino a 830V, per custodie serie HE e HE-HV - IP66 / IP69 protection degree Grado di protezione IP66 / IP696 </p> <td>10B «57x27»</td> <td>7810.6809.1</td> <td>7810.6809.1</td>						Size <i>Grandezza</i>	A	B	C	F	L	10B «57x27»	73	43	22	123	54	16B «77x27»	94	43	22	143	54	24B «104x27»	120	43	23	170	54	32B «77x62»	94	83	24	143	93.5	10B «57x27»	7810.6809.1
					Size <i>Grandezza</i>	A	B	C	F	L																											
					10B «57x27»	73	43	22	123	54																											
					16B «77x27»	94	43	22	143	54																											
					24B «104x27»	120	43	23	170	54																											
32B «77x62»	94	83	24	143	93.5																																
16B «77x27»	7816.6810.1	7816.6810.1																																			
24B «104x27»	7824.6811.1	7824.6811.1																																			
32B «77x62»	7832.6812.1	7832.6812.1																																			

Hoods for ribbon cables with cable gland with 4 pegs for two levers <i>Custodie per cavi piatti con pressacavo con 4 perni per due leve</i>	Size <i>Grandezza</i>	Cable size <i>Grandezza cavo</i>	Type STD-HV Part No.- Codice	Type Part No.- Codice
 <p>HC - High Construction <i>HC - Costruzione alta</i></p>  <p>IP66/IP69</p>	10B «57x27»	3,8-9 x 17-23	7810.5361.3	7810.5361.1
	10B «57x27»	3,8-9 x 26-35	7810.5362.3	7810.5362.1
	16B «77x27»	3,8-9 x 17-23	7816.5365.3	7816.5365.1
	16B «77x27»	3,8-9 x 26-35	7816.5366.3	7816.5366.1
	16B «77x27»	3,8-9 x 40-47	7816.5367.3	7816.5367.1
	16B «77x27»	3,8-9 x 48-56	7816.5368.3	7816.5368.1
	24B «104x27»	3,8-9 x 17-23	7824.5370.3	7824.5370.1
	24B «104x27»	3,8-9 x 26-35	7824.5371.3	7824.5371.1
	24B «104x27»	3,8-9 x 40-47	7824.5372.3	7824.5372.1
	24B «104x27»	3,8-9 x 48-56	7824.5373.3	7824.5373.1
	24B «104x27»	3,8-5,1 x 62-66	7824.5374.3	7824.5374.1
	24B «104x27»	4,5-5,7 x 72-76	7824.5375.3	7824.5375.1

Cable glands for ribbon cables
Pressacavi per cavi piatti

The hoods use the following cable glands for ribbon cables (see also section 50. xx)

Le custodie usano i seguenti pressacavi per cavi piatti (vedere anche sezione 50.xx)



Remark:

The cable shall have a smooth surface. With cable with corrugated jacket the IP protection degree has to be checked by the user.

Nota:

I cavi devono avere la superficie liscia. Con cavi con guaina corrugata il grado di protezione IP deve essere verificato dall'utilizzatore.

Size <i>Grandezza</i>	A	B	C	D
10B «57x27»	73,5	45,5	81	73,5
16B «77x27»	93,5	45,5	81	94
24B «104x27»	120,5	45,5	81	120,5

Cable size <i>Grandezza cavo</i>	a x b	Part No. <i>Codice</i>
a x b		
3,8-9 x 17-23		7000.7360.0
3,8-9 x 26-35		7000.7361.0
3,8-9 x 40-47		7000.7370.0
3,8-9 x 48-56		7000.7371.0
3,8-5,1 x 62-66		7000.7380.0
4,5-5,7 x 72-76		7000.7381.0



- Type: STD for standard applications and inserts up to 500V series: S-D, S-DD, S-E, S-ES, S-EP, S-ESHV, S-EE, S-HSB, S-K, S-M, S-EHV crimp
- Type: STD-HV for standard applications and inserts up to 830V, S-EHV series screw terminal and S-HSB for applications over 500V up to 830V.
- Cable gland included
- IP66 / IP69 protection degree
- The cables shall have a smooth surface
- *Tipo: STD per applicazioni standard ed inserti fino a 500V serie S-D, S-DD, S-E, S-ES, S-EP, S-ESHV, S-EE, S-HSB, S-K, S-M, S-EHV a crimpare.*
- *Tipo STD-HV per applicazioni standard ed inserti fino a 830V: serie S-EHV con terminali a vite e S-HSB per applicazioni oltre 500V fino a 830V.*
- *Con pressacavo incluso*
- *Grado di protezione IP66 / IP69*
- *I cavi devono avere la superficie liscia*

Hoods size B with cable gland for cable thickness $3.8 \div 9$ mm, width 17-35
Custodie grandezza B con pressacavo per cavo spessore $3.8 \div 9$ mm e larghezza 17-35 mm



Hood: 10B «57 x 27»
Custodie:



Hood: 16B «77 x 27»
Custodie:



Hood: 24B «104 x 27»
Custodie:

Hoods size B with cable gland for cable thickness $3.8 \div 9$ mm, width $40 \div 56$ mm
Custodie grandezza B con pressacavo per cavo spessore $3.8 \div 9$ mm e larghezza $40 \div 56$ mm



Hood: 16B «77 x 27»
Custodie:


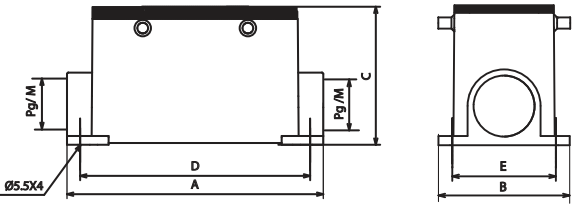


Hood: 24B «104 x 27»
Custodie:





Hoods size B with cable gland for cable thickness $3.8 \div 5.7$ mm, width $62 \div 76$ mm
Custodie grandezza B con pressacavo per cavo spessore $3.8 \div 5.7$ mm e larghezza $62 \div 76$ mm


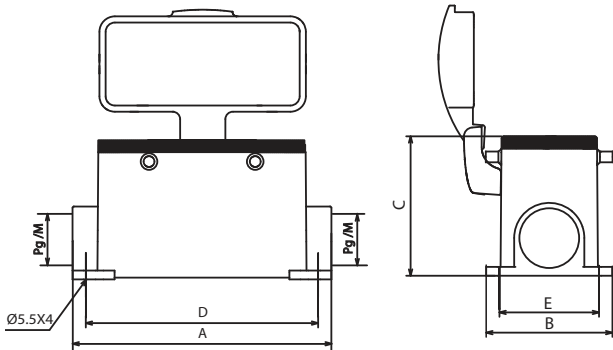


Hood: 24B «104 x 27»
Custodie:

Surface mounting housings Custodie da parete	Size Grandezza	Thread Filettatura	Type HE-HV	Type HE
			Part No. - Codice	Part No. - Codice
 <p style="color: red; text-align: center;">For harsh environmental requirements Per ambienti aggressivi</p> 	10B «57x27»	M 20	7810.5001.3	7810.5001.1
	10B «57x27»	M 20X2	7810.5002.3	7810.5002.1
	10B «57x27»	Pg 16	7810.5003.3	7810.5003.1
	10B «57x27»	Pg 16X2	7810.5004.3	7810.5004.1
	16B «77x27»	M 25	7816.5005.3	7816.5005.1
	16B «77x27»	M 25X2	7816.5006.3	7816.5006.1
	16B «77x27»	Pg 21	7816.5007.3	7816.5007.1
	16B «77x27»	Pg 21X2	7816.5008.3	7816.5008.1
	24B «104x27»	M 25	7824.5009.3	7824.5009.1
	24B «104x27»	M 25X2	7824.5010.3	7824.5010.1
	24B «104x27»	Pg 21	7824.5011.3	7824.5011.1
	24B «104x27»	Pg 21X2	7824.5012.3	7824.5012.1
	32B «77x62»	M 40	7832.5013.1	7832.5013.1
	32B «77x62»	M 40X2	7832.5014.1	7832.5014.1
	32B «77x62»	M 50	7832.5015.1	7832.5015.1
	32B «77x62»	M 50X2	7832.5016.1	7832.5016.1
32B «77x62»	Pg 29	7832.5017.1	7832.5017.1	
32B «77x62»	Pg 29X2	7832.5018.1	7832.5018.1	
32B «77x62»	Pg 36	7832.5019.1	7832.5019.1	
32B «77x62»	Pg 36X2	7832.5020.1	7832.5020.1	
32B «77x62»	Pg 42 ◊	7832.5021.1	7832.5021.1	
32B «77x62»	Pg 42X2 ◊	7832.5022.1	7832.5022.1	

Size Grandezza	A	B	C	D	E
10B «57x27»	97	57	57	82	40
16B «77x27»	117	57	63	105	45
24B «104x27»	143.5	57	63	132	45
32B «77x62»	125	84.5	87.5	112	67

- 



- Type: HE for harsh environmental requirements and inserts up to 500V series: S-D, S-DD, S-E, S-ES, S-EP, S-ESHV, S-EE, S-HSB, S-K, S-M, S-EHV with crimp contacts
 Type: HE-HV for harsh environmental requirements and inserts up to 830V series S-EHV screw terminals and S-HSB for applications over 500V up to 830V
 - Tipo: HE per ambienti aggressivi ed inserti fino a 500V serie: S-D, S-DD, S-E, S-ES, S-EP, S-ESHV, S-EE, S-HSB, S-K, S-M, S-EHV con contatti a crimpare
 Tipo: HE-HV per ambienti aggressivi ed inserti fino a 830V serie: S-EHV con terminali a vite e S-HSB per applicazioni oltre 500V fino a 830V
 - IP66 / IP69 protection degree
 Grado di protezione IP66 / IP69
 - 1 entry or 2 entries
 1 o 2 ingressi
 - ◊ With enlarger Pg 36 / Pg 42
 Con ampliatore Pg36 / Pg 42


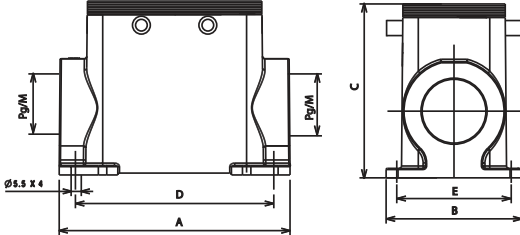
Surface mounting housings with cover <i>Custodie da parete con coperchio</i>	Size <i>Grandezza</i>	Thread <i>Filettatura</i>	Type HE-HV Part No. - Codice	Type HE Part No. - Codice																														
	 <p style="color: red; text-align: center;">For harsh environmental requirements <i>Per ambienti aggressivi</i></p>  <table border="1" style="width: 100%; text-align: center;"> <thead> <tr> <th>Size <i>Grandezza</i></th> <th>A</th> <th>B</th> <th>C</th> <th>D</th> <th>E</th> </tr> </thead> <tbody> <tr> <td>10B «57x27»</td> <td>97</td> <td>57</td> <td>57</td> <td>82</td> <td>40</td> </tr> <tr> <td>16B «77x27»</td> <td>117</td> <td>57</td> <td>63</td> <td>105</td> <td>45</td> </tr> <tr> <td>24B «104x27»</td> <td>143.5</td> <td>57</td> <td>63</td> <td>132</td> <td>45</td> </tr> <tr> <td>32B «77x62»</td> <td>125</td> <td>84.5</td> <td>87.5</td> <td>112</td> <td>67</td> </tr> </tbody> </table>	Size <i>Grandezza</i>	A	B	C	D	E	10B «57x27»	97	57	57	82	40	16B «77x27»	117	57	63	105	45	24B «104x27»	143.5	57	63	132	45	32B «77x62»	125	84.5	87.5	112	67	10B «57x27»	M 20	7810.5023.3
Size <i>Grandezza</i>		A	B	C	D	E																												
10B «57x27»		97	57	57	82	40																												
16B «77x27»		117	57	63	105	45																												
24B «104x27»		143.5	57	63	132	45																												
32B «77x62»		125	84.5	87.5	112	67																												
10B «57x27»		M 20X2	7810.5024.3	7810.5024.1																														
10B «57x27»		Pg 16	7810.5025.3	7810.5025.1																														
10B «57x27»		Pg 16X2	7810.5026.3	7810.5026.1																														
16B «77x27»		M 25	7816.5027.3	7816.5027.1																														
16B «77x27»		M 25X2	7816.5028.3	7816.5028.1																														
16B «77x27»		Pg 21	7816.5029.3	7816.5029.1																														
16B «77x27»		Pg 21X2	7816.5030.3	7816.5030.1																														
24B «104x27»		M 25	7824.5031.3	7824.5031.1																														
24B «104x27»		M 25X2	7824.5032.3	7824.5032.1																														
24B «104x27»		Pg 21	7824.5033.3	7824.5033.1																														
24B «104x27»		Pg 21X2	7824.5034.3	7824.5034.1																														
32B «77x62»		M 40	7832.5035.1	7832.5035.1																														
32B «77x62»		M 40X2	7832.5036.1	7832.5036.1																														
32B «77x62»		M 50	7832.5037.1	7832.5037.1																														
32B «77x62»	M 50X2	7832.5038.1	7832.5038.1																															
32B «77x62»	Pg 29	7832.5039.1	7832.5039.1																															
32B «77x62»	Pg 29X2	7832.5040.1	7832.5040.1																															
32B «77x62»	Pg 36	7832.5041.1	7832.5041.1																															
32B «77x62»	Pg 36X2	7832.5042.1	7832.5042.1																															
32B «77x62»	Pg 42 ◊	7832.5043.1	7832.5043.1																															
32B «77x62»	Pg 42X2 ◊	7832.5044.1	7832.5044.1																															



- Type: HE for harsh environmental requirements and inserts up to 500V series: S-D, S-DD, S-E, S-ES, S-EP, S-ESHV, S-EE, S-HSB, S-K, S-M, S-EHV with crimp contacts
Type: HE-HV for harsh environmental requirements and inserts up to 830V series S-EHV screw terminals and S-HSB for applications over 500V up to 830V
- Tipo: HE per ambienti aggressivi ed inserti fino a 500V serie: S-D, S-DD, S-E, S-ES, S-EP, S-ESHV, S-EE, S-HSB, S-K, S-M, S-EHV con contatti a crimpare
Tipo: HE-HV per ambienti aggressivi ed inserti fino a 830V serie: S-EHV con terminali a vite e S-HSB per applicazioni oltre 500V fino a 830V
- IP66 / IP69 protection degree
Grado di protezione IP66 / IP69
- Metal cover with stainless steel spring, screws and pegs
Coperchio metallico con molla, vite e perni in acciaio inox
- 1 entry or 2 entries
1 o 2 ingressi
- ◊ With enlarger Pg 36 / Pg 42
Con ampliatore Pg36 / Pg 42


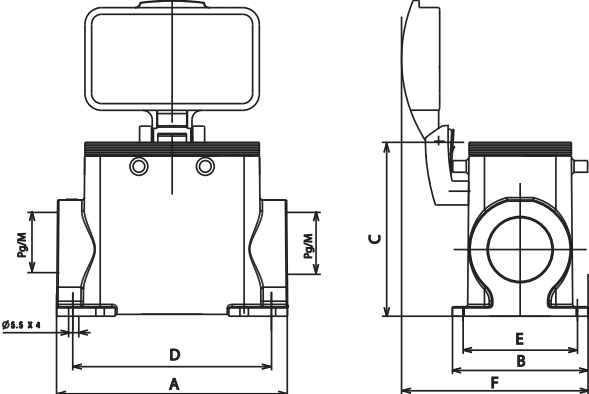
Remarks:
The enclosures assure an IP66 / IP69 degree of protection when coupled and blocked by the levers.
The cover only provides mechanical protection and does not assure an IP degree of protection.

Avvertenza:
Le custodie garantiscono il grado di protezione IP66 / IP69 quando sono accoppiate e bloccate tramite le leve di chiusura.
Il coperchio determina solo una protezione meccanica senza assicurare il grado di protezione IP.

Surface mounting housings Custodie da parete	Size	Thread	Type HE-HV	Type HE																								
	Grandezza	Filettatura	Part No. - Codice	Part No. - Codice																								
 <p style="color: red; text-align: center;">For harsh environmental requirements Per ambienti aggressivi</p>  <p>HC - High construction HC - Costruzione alta</p> <table border="1" data-bbox="118 1319 804 1491"> <thead> <tr> <th>Size Grandezza</th> <th>A</th> <th>B</th> <th>C</th> <th>D</th> <th>E</th> </tr> </thead> <tbody> <tr> <td>10B «57x27»</td> <td>97</td> <td>57</td> <td>73</td> <td>82</td> <td>40</td> </tr> <tr> <td>16B «77x27»</td> <td>117</td> <td>57</td> <td>77</td> <td>105</td> <td>45</td> </tr> <tr> <td>24B «104x27»</td> <td>143.5</td> <td>57</td> <td>80</td> <td>132</td> <td>45</td> </tr> </tbody> </table>	Size Grandezza	A	B	C	D	E	10B «57x27»	97	57	73	82	40	16B «77x27»	117	57	77	105	45	24B «104x27»	143.5	57	80	132	45	10B «57x27»	M 25X2	7810.5129.3	7810.5129.1
	Size Grandezza	A	B	C	D	E																						
	10B «57x27»	97	57	73	82	40																						
	16B «77x27»	117	57	77	105	45																						
	24B «104x27»	143.5	57	80	132	45																						
	10B «57x27»	M 32	7810.5130.3	7810.5130.1																								
	10B «57x27»	M 32X2	7810.5131.3	7810.5131.1																								
	10B «57x27»	M 40	7810.5132.3	7810.5132.1																								
	10B «57x27»	M 40X2	7810.5133.3	7810.5133.1																								
	10B «57x27»	Pg 21	7810.5134.3	7810.5134.1																								
	10B «57x27»	Pg 21X2	7810.5135.3	7810.5135.1																								
	10B «57x27»	Pg 29	7810.5136.3	7810.5136.1																								
	10B «57x27»	Pg 29X2	7810.5137.3	7810.5137.1																								
	16B «77x27»	M 32	7816.5138.3	7816.5138.1																								
	16B «77x27»	M 32X2	7816.5139.3	7816.5139.1																								
	16B «77x27»	M 40	7816.5140.3	7816.5140.1																								
	16B «77x27»	M 40X2	7816.5141.3	7816.5141.1																								
	16B «77x27»	Pg 21	7816.5142.3	7816.5142.1																								
	16B «77x27»	Pg 21X2	7816.5143.3	7816.5143.1																								
	16B «77x27»	Pg 29	7816.5144.3	7816.5144.1																								
	16B «77x27»	Pg 29X2	7816.5145.3	7816.5145.1																								
	24B «104x27»	M 32	7824.5147.3	7824.5147.1																								
	24B «104x27»	M 32X2	7824.5148.3	7824.5148.1																								
	24B «104x27»	M 40	7824.5149.3	7824.5149.1																								
24B «104x27»	M 40X2	7824.5150.3	7824.5150.1																									
24B «104x27»	Pg 21	7824.5151.3	7824.5151.1																									
24B «104x27»	Pg 21X2	7824.5152.3	7824.5152.1																									
24B «104x27»	Pg 29	7824.5153.3	7824.5153.1																									
24B «104x27»	Pg 29X2	7824.5154.3	7824.5154.1																									



- Type: HE for harsh environmental requirements and inserts up to 500V series: S-D, S-DD, S-E, S-ES, S-EP, S-ESHV, S-EE, S-HSB, S-K, S-M, S-EHV with crimp contacts
Type: HE-HV for harsh environmental requirements and inserts up to 830V series S-EHV screw terminals and S-HSB for applications over 500V up to 830V
- Tipo: HE per ambienti aggressivi ed inserti fino a 500V serie: S-D, S-DD, S-E, S-ES, S-EP, S-ESHV, S-EE, S-HSB, S-K, S-M, S-EHV con contatti a crimpare
Tipo: HE-HV per ambienti aggressivi ed inserti fino a 830V serie: S-EHV con terminali a vite e S-HSB per applicazioni oltre 500V fino a 830V
- IP66 / IP69 protection degree
Grado di protezione IP66 / IP69
- 1 entry or 2 entries
1 o 2 ingressi

Surface mounting housings with cover <i>Custodie da parete con coperchio</i>	Size <i>Grandezza</i>	Thread <i>Filettatura</i>	Type HE-HV	Type HE																												
			Part No. - Codice	Part No. - Codice																												
 <p>For harsh environmental requirements <i>Per ambienti aggressivi</i></p>  <p>HC - High construction <i>HC - Costruzione alta</i></p> <table border="1"> <thead> <tr> <th>Size <i>Grandezza</i></th> <th>A</th> <th>B</th> <th>C</th> <th>D</th> <th>E</th> <th>F</th> </tr> </thead> <tbody> <tr> <td>10B «57x27»</td> <td>97</td> <td>57</td> <td>73</td> <td>82</td> <td>40</td> <td>78,5</td> </tr> <tr> <td>16B «77x27»</td> <td>117</td> <td>57</td> <td>77</td> <td>105</td> <td>45</td> <td>78,5</td> </tr> <tr> <td>24B «104x27»</td> <td>143.5</td> <td>57</td> <td>80</td> <td>132</td> <td>45</td> <td>78,5</td> </tr> </tbody> </table>	Size <i>Grandezza</i>	A	B	C	D	E	F	10B «57x27»	97	57	73	82	40	78,5	16B «77x27»	117	57	77	105	45	78,5	24B «104x27»	143.5	57	80	132	45	78,5	10B «57x27»	M 25X2	7810.5159.3	7810.5159.1
	Size <i>Grandezza</i>	A	B	C	D	E	F																									
	10B «57x27»	97	57	73	82	40	78,5																									
	16B «77x27»	117	57	77	105	45	78,5																									
	24B «104x27»	143.5	57	80	132	45	78,5																									
	10B «57x27»	M 32	7810.5160.3	7810.5160.1																												
	10B «57x27»	M 32X2	7810.5161.3	7810.5161.1																												
	10B «57x27»	M 40	7810.5162.3	7810.5162.1																												
	10B «57x27»	M 40X2	7810.5163.3	7810.5163.1																												
	10B «57x27»	Pg 21	7810.5164.3	7810.5164.1																												
	10B «57x27»	Pg 21X2	7810.5165.3	7810.5165.1																												
	10B «57x27»	Pg 29	7810.5166.3	7810.5166.1																												
	10B «57x27»	Pg 29X2	7810.5167.3	7810.5167.1																												
	16B «77x27»	M 32	7816.5169.3	7816.5169.1																												
	16B «77x27»	M 32X2	7816.5170.3	7816.5170.1																												
	16B «77x27»	M 40	7816.5171.3	7816.5171.1																												
	16B «77x27»	M 40X2	7816.5172.3	7816.5172.1																												
	16B «77x27»	Pg 21	7816.5173.3	7816.5173.1																												
	16B «77x27»	Pg 21X2	7816.5174.3	7816.5174.1																												
	16B «77x27»	Pg 29	7816.5175.3	7816.5175.1																												
	16B «77x27»	Pg 29X2	7816.5176.3	7816.5176.1																												
	24B «104x27»	M 32	7824.5178.3	7824.5178.1																												
	24B «104x27»	M 32X2	7824.5179.3	7824.5179.1																												
	24B «104x27»	M 40	7824.5180.3	7824.5180.1																												
24B «104x27»	M 40X2	7824.5181.3	7824.5181.1																													
24B «104x27»	Pg 21	7824.5182.3	7824.5182.1																													
24B «104x27»	Pg 21X2	7824.5183.3	7824.5183.1																													
24B «104x27»	Pg 29	7824.5184.3	7824.5184.1																													
24B «104x27»	Pg 29X2	7824.5185.3	7824.5185.1																													




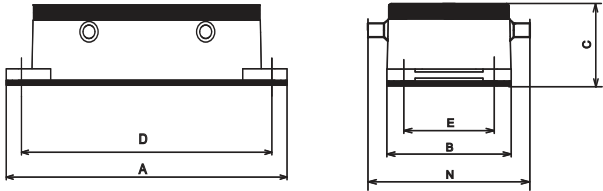
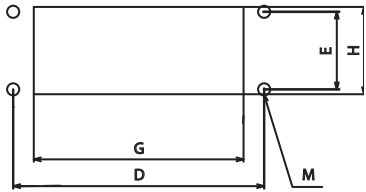
- Type: HE for harsh environmental requirements and inserts up to 500V series: S-D, S-DD, S-E, S-ES, S-EP, S-ESHV, S-EE, S-HSB, S-K, S-M, S-EHV with crimp contacts
Type: HE-HV for harsh environmental requirements and inserts up to 830V series S-EHV screw terminals and S-HSB for applications over 500V up to 830V
- *Tipo: HE per ambienti aggressivi ed inserti fino a 500V serie: S-D, S-DD, S-E, S-ES, S-EP, S-ESHV, S-EE, S-HSB, S-K, S-M, S-EHV con contatti a crimpare*
Tipo: HE-HV per ambienti aggressivi ed inserti fino a 830V serie: S-EHV con terminali a vite e S-HSB per applicazioni oltre 500V fino a 830V
- IP66 / IP69 protection degree
Grado di protezione IP66 / IP69
- Metal cover with stainless steel spring, screws and pegs
Coperchio metallico con molla, vite e perni in acciaio inox
- 1 entry or 2 entries
1 o 2 ingressi

Remarks:

The enclosures assure an IP66 / IP69 degree of protection when coupled and blocked by the levers.
The cover only provides mechanical protection and does not assure an IP degree of protection.


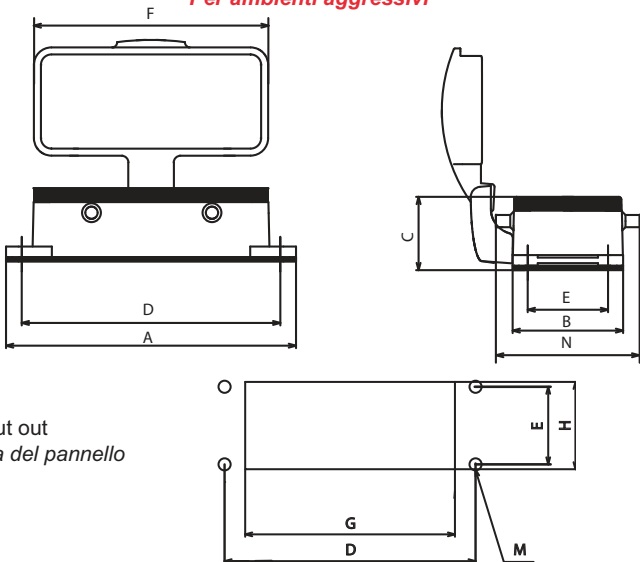
Avvertenza:

Le custodie garantiscono il grado di protezione IP66 / IP69 quando sono accoppiate e bloccate tramite le leve di chiusura. Il coperchio determina solo una protezione meccanica senza assicurare il grado di protezione IP.

Bulkhead mounting housings Custodie da incasso	Size Grandezza	Type HE-HV Part No. - Codice	Type HE Part No. - Codice																																																		
	 <p style="text-align: center; color: red;">For harsh environmental requirements Per ambienti aggressivi</p>   <p>Panel cut out Foratura del pannello</p> <table border="1" data-bbox="129 1323 900 1554"> <thead> <tr> <th>Size Grandezza</th> <th>A</th> <th>B</th> <th>C</th> <th>D</th> <th>E</th> <th>G</th> <th>H</th> <th>M</th> <th>N</th> </tr> </thead> <tbody> <tr> <td>10B «57x27»</td> <td>95.5</td> <td>44</td> <td>29.5</td> <td>83</td> <td>32</td> <td>66.5</td> <td>36</td> <td>4.5</td> <td>56</td> </tr> <tr> <td>16B «77x27»</td> <td>115.5</td> <td>44</td> <td>29.5</td> <td>103</td> <td>32</td> <td>86.5</td> <td>36</td> <td>4.5</td> <td>56</td> </tr> <tr> <td>24B «104x27»</td> <td>142.5</td> <td>44</td> <td>29.5</td> <td>130</td> <td>32</td> <td>113</td> <td>36</td> <td>4.5</td> <td>56</td> </tr> <tr> <td>32B «77x62»</td> <td>124.5</td> <td>84</td> <td>35.5</td> <td>110</td> <td>65</td> <td>87.5</td> <td>76.5</td> <td>5.5</td> <td>108</td> </tr> </tbody> </table>	Size Grandezza	A	B	C	D	E	G	H	M	N	10B «57x27»	95.5	44	29.5	83	32	66.5	36	4.5	56	16B «77x27»	115.5	44	29.5	103	32	86.5	36	4.5	56	24B «104x27»	142.5	44	29.5	130	32	113	36	4.5	56	32B «77x62»	124.5	84	35.5	110	65	87.5	76.5	5.5	108	10B «57x27» 16B «77x27» 24B «104x27» 32B «77x62»	7810.5050.3 7816.5051.3 7824.5052.3 7832.5053.1
Size Grandezza		A	B	C	D	E	G	H	M	N																																											
10B «57x27»		95.5	44	29.5	83	32	66.5	36	4.5	56																																											
16B «77x27»		115.5	44	29.5	103	32	86.5	36	4.5	56																																											
24B «104x27»	142.5	44	29.5	130	32	113	36	4.5	56																																												
32B «77x62»	124.5	84	35.5	110	65	87.5	76.5	5.5	108																																												


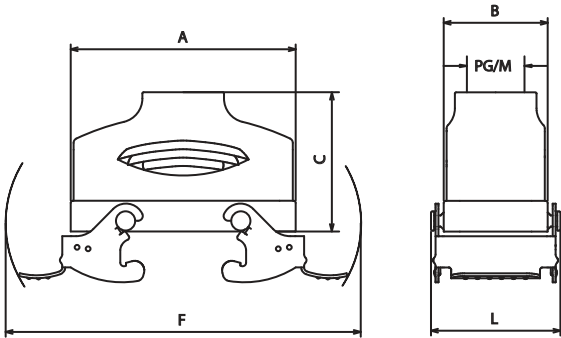


- Type: HE for harsh environmental requirements and inserts up to 500V series: S-D, S-DD, S-E, S-ES, S-EP, S-ESHV, S-EE, S-HSB, S-K, S-M, S-EHV with crimp contacts
 Type: HE-HV for harsh environmental requirements and inserts up to 830V series S-EHV screw terminals and S-HSB for applications over 500V up to 830V
- Tipo: HE per ambienti aggressivi ed inserti fino a 500V serie: S-D, S-DD, S-E, S-ES, S-EP, S-ESHV, S-EE, S-HSB, S-K, S-M, S-EHV con contatti a crimpare
 Tipo: HE-HV per ambienti aggressivi ed inserti fino a 830V serie: S-EHV con terminali a vite e S-HSB per applicazioni oltre 500V fino a 830V
- IP66 / IP69 protection degree
 Grado di protezione IP66 / IP69

Bulkhead mounting housings with cover <i>Custodie da incasso con coperchio</i>	Size <i>Grandezza</i>	Type HE-HV Part No. - Codice	Type HE Part No. - Codice																																																							
	 <p style="color: red; text-align: center;">For harsh environmental requirements <i>Per ambienti aggressivi</i></p>  <p>Panel cut out <i>Foratura del pannello</i></p> <table border="1" data-bbox="108 1361 911 1592"> <thead> <tr> <th>Size <i>Grandezza</i></th> <th>A</th> <th>B</th> <th>C</th> <th>D</th> <th>E</th> <th>F</th> <th>G</th> <th>H</th> <th>M</th> <th>N</th> </tr> </thead> <tbody> <tr> <td>10B «57x27»</td> <td>95.5</td> <td>44</td> <td>29.5</td> <td>83</td> <td>32</td> <td>73.5</td> <td>66.5</td> <td>36</td> <td>4.5</td> <td>56</td> </tr> <tr> <td>16B «77x27»</td> <td>115.5</td> <td>44</td> <td>29.5</td> <td>103</td> <td>32</td> <td>94</td> <td>86.5</td> <td>36</td> <td>4.5</td> <td>56</td> </tr> <tr> <td>24B «104x27»</td> <td>142.5</td> <td>44</td> <td>29.5</td> <td>130</td> <td>32</td> <td>120.5</td> <td>113</td> <td>36</td> <td>4.5</td> <td>56</td> </tr> <tr> <td>32B «77x62»</td> <td>124.5</td> <td>84</td> <td>35.5</td> <td>110</td> <td>65</td> <td>94</td> <td>87.5</td> <td>76.5</td> <td>5.5</td> <td>108</td> </tr> </tbody> </table>	Size <i>Grandezza</i>	A	B	C	D	E	F	G	H	M	N	10B «57x27»	95.5	44	29.5	83	32	73.5	66.5	36	4.5	56	16B «77x27»	115.5	44	29.5	103	32	94	86.5	36	4.5	56	24B «104x27»	142.5	44	29.5	130	32	120.5	113	36	4.5	56	32B «77x62»	124.5	84	35.5	110	65	94	87.5	76.5	5.5	108	10B «57x27»	7810.5054.3
Size <i>Grandezza</i>		A	B	C	D	E	F	G	H	M	N																																															
10B «57x27»		95.5	44	29.5	83	32	73.5	66.5	36	4.5	56																																															
16B «77x27»		115.5	44	29.5	103	32	94	86.5	36	4.5	56																																															
24B «104x27»	142.5	44	29.5	130	32	120.5	113	36	4.5	56																																																
32B «77x62»	124.5	84	35.5	110	65	94	87.5	76.5	5.5	108																																																
16B «77x27»	7816.5055.3	7816.5055.1																																																								
24B «104x27»	7824.5056.3	7824.5056.1																																																								
32B «77x62»	7832.5057.1	7832.5057.1																																																								


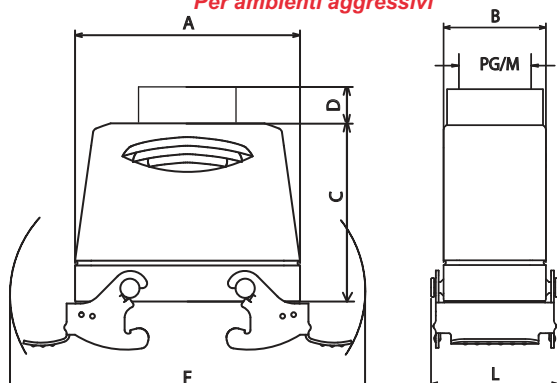
Remarks:
The enclosures assure an IP66 / IP69 degree of protection when coupled and blocked by the levers.
The cover only provides mechanical protection and does not assure an IP degree of protection.

Avvertenza:
Le custodie garantiscono il grado di protezione IP66 / IP69 quando sono accoppiate e bloccate tramite le leve di chiusura.
Il coperchio determina solo una protezione meccanica senza assicurare il grado di protezione IP66.

Hoods top entry with two levers without gasket Custodia ingresso verticale con due leve senza guarnizione	Size Grandezza	Thread Filettatura	Type HE-HV Part No. - Codice	Type HE Part No. - Codice																								
 <p style="color: red; text-align: center;">For harsh environmental requirements Per ambienti aggressivi</p>  <table border="1" data-bbox="153 1303 767 1476"> <thead> <tr> <th>Size Grandezza</th> <th>A</th> <th>B</th> <th>C</th> <th>F</th> <th>L</th> </tr> </thead> <tbody> <tr> <td>10B «57x27»</td> <td>73.5</td> <td>43.5</td> <td>58</td> <td>127</td> <td>54</td> </tr> <tr> <td>16B «77x27»</td> <td>94</td> <td>43.5</td> <td>58</td> <td>147</td> <td>54</td> </tr> <tr> <td>24B «104x27»</td> <td>120.5</td> <td>43.5</td> <td>68</td> <td>174</td> <td>54</td> </tr> </tbody> </table>	Size Grandezza	A	B	C	F	L	10B «57x27»	73.5	43.5	58	127	54	16B «77x27»	94	43.5	58	147	54	24B «104x27»	120.5	43.5	68	174	54	10B «57x27»	M 20	7810.5060.3	7810.5060.1
	Size Grandezza	A	B	C	F	L																						
	10B «57x27»	73.5	43.5	58	127	54																						
	16B «77x27»	94	43.5	58	147	54																						
	24B «104x27»	120.5	43.5	68	174	54																						
	10B «57x27»	M 25	7810.5061.3	7810.5061.1																								
	10B «57x27»	Pg 16	7810.5062.3	7810.5062.1																								
	16B «77x27»	M 25	7816.5063.3	7816.5063.1																								
	16B «77x27»	M 32	7816.5064.3	7816.5064.1																								
	16B «77x27»	Pg 21	7816.5065.3	7816.5065.1																								
	24B «104x27»	M 25	7824.5066.3	7824.5066.1																								
	24B «104x27»	M 32	7824.5067.3	7824.5067.1																								
24B «104x27»	Pg 21	7824.5068.3	7824.5068.1																									
24B «104x27»	Pg 29	7824.5069.3	7824.5069.1																									




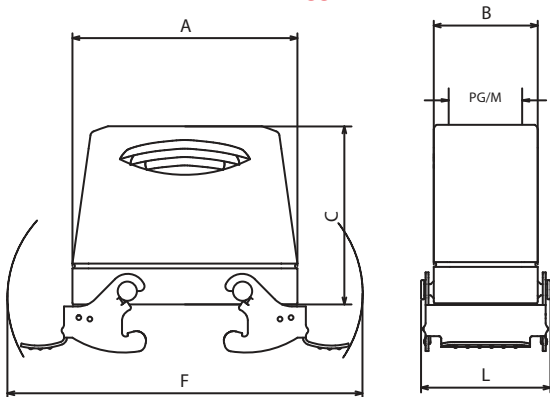
- Type: HE for harsh environmental requirements and inserts up to 500V series: S-D, S-DD, S-E, S-ES, S-EP, S-ESHV, S-EE, S-HSB, S-K, S-M, S-EHV with crimp contacts
 Type: HE-HV for harsh environmental requirements and inserts up to 830V series S-EHV screw terminals and S-HSB for applications over 500V up to 830V
- Tipo: HE per ambienti aggressivi ed inserti fino a 500V serie: S-D, S-DD, S-E, S-ES, S-EP, S-ESHV, S-EE, S-HSB, S-K, S-M, S-EHV con contatti a crimpare
 Tipo: HE-HV per ambienti aggressivi ed inserti fino a 830V serie: S-EHV con terminali a vite e S-HSB per applicazioni oltre 500V fino a 830V
- IP66 / IP69 protection degree
 Grado di protezione IP66 / IP69
- For IP66 and IP68 cable glands
 Per pressacavi IP66 e IP68

Hoods top entry with two levers <i>Custodie ingresso verticale con due leve</i>	Size <i>Grandezza</i>	Thread <i>Filettatura</i>	Type HE-HV Part No. - Codice	Type HE Part No. - Codice																																										
	 <p>HC - High Construction HC - Costruzione alta</p> <p>For harsh environmental requirements Per ambienti aggressivi</p>  <table border="1" data-bbox="223 1209 686 1299"> <tr> <th>Thread <i>Filettatura</i></th> <th>M32</th> <th>M40</th> <th>Pg21</th> <th>Pg29</th> <th>Pg36</th> </tr> <tr> <th>D</th> <td>16,5</td> <td>19,5</td> <td>15</td> <td>16,5</td> <td>19,5</td> </tr> </table> <table border="1" data-bbox="143 1321 766 1523"> <tr> <th>Size <i>Grandezza</i></th> <th>A</th> <th>B</th> <th>C</th> <th>F</th> <th>L</th> </tr> <tr> <td>10B «57x27»</td> <td>73.5</td> <td>43.5</td> <td>*75,5</td> <td>127</td> <td>54</td> </tr> <tr> <td>16B «77x27»</td> <td>94</td> <td>43.5</td> <td>*75,5</td> <td>147</td> <td>54</td> </tr> <tr> <td>24B «104x27»</td> <td>120.5</td> <td>43.5</td> <td>*75,5</td> <td>174</td> <td>54</td> </tr> <tr> <td>32B «77x62»</td> <td>94</td> <td>83</td> <td>89</td> <td>147</td> <td>93.5</td> </tr> </table>	Thread <i>Filettatura</i>	M32	M40	Pg21	Pg29	Pg36	D	16,5	19,5	15	16,5	19,5	Size <i>Grandezza</i>	A	B	C	F	L	10B «57x27»	73.5	43.5	*75,5	127	54	16B «77x27»	94	43.5	*75,5	147	54	24B «104x27»	120.5	43.5	*75,5	174	54	32B «77x62»	94	83	89	147	93.5	10B «57x27»	M 32	7810.5070.3
Thread <i>Filettatura</i>		M32	M40	Pg21	Pg29	Pg36																																								
D		16,5	19,5	15	16,5	19,5																																								
Size <i>Grandezza</i>		A	B	C	F	L																																								
10B «57x27»		73.5	43.5	*75,5	127	54																																								
16B «77x27»		94	43.5	*75,5	147	54																																								
24B «104x27»		120.5	43.5	*75,5	174	54																																								
32B «77x62»		94	83	89	147	93.5																																								
10B «57x27»		M 40	7810.5071.3	7810.5071.1																																										
10B «57x27»		Pg 21	7810.5072.3	7810.5072.1																																										
10B «57x27»		Pg 29	7810.5073.3	7810.5073.1																																										
16B «77x27»		M 32	7816.5074.3	7816.5074.1																																										
16B «77x27»		M 40	7816.5075.3	7816.5075.1																																										
16B «77x27»		Pg 21	7816.5076.3	7816.5076.1																																										
16B «77x27»		Pg 29	7816.5077.3	7816.5077.1																																										
24B «104x27»		M 32	7824.5078.3	7824.5078.1																																										
24B «104x27»		M 40	7824.5079.3	7824.5079.1																																										
24B «104x27»		Pg 21	7824.5080.3	7824.5080.1																																										
24B «104x27»		Pg 29	7824.5081.3	7824.5081.1																																										
32B «77x62»		M 32	7832.5082.1	7832.5082.1																																										
32B «77x62»	M 40	7832.5083.1	7832.5083.1																																											
32B «77x62»	Pg 29	7832.5085.1	7832.5085.1																																											
32B «77x62»	Pg 36	7832.5086.1	7832.5086.1																																											

*For threads M40 and Pg29 C = 81 with hoods LS (Large Shape) type
 *Per filettature M40 e Pg29 C = 81 con custodie tipo LS




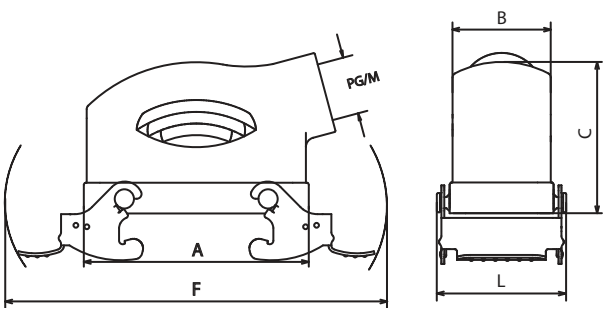
- Type: HE for harsh environmental requirements and inserts up to 500V series: S-D, S-DD, S-E, S-ES, S-EP, S-ESHV, S-EE, S-HSB, S-K, S-M, S-EHV with crimp contacts
 Type: HE-HV for harsh environmental requirements and inserts up to 830V series S-EHV screw terminals and S-HSB for applications over 500V up to 830V
- Tipo: HE per ambienti aggressivi ed inserti fino a 500V serie: S-D, S-DD, S-E, S-ES, S-EP, S-ESHV, S-EE, S-HSB, S-K, S-M, S-EHV con contatti a crimpare
 Tipo: HE-HV per ambienti aggressivi ed inserti fino a 830V serie: S-EHV con terminali a vite e S-HSB per applicazioni oltre 500V fino a 830V
- IP66 / IP69 protection degree
 Grado di protezione IP66 / IP69
- For IP66 and IP68 cable glands
 Per pressacavi IP66 e IP68

Hoods top entry with two levers Custodie ingresso verticale con due leve	Size Grandezza	Thread Filettatura	Type HE-HV Part No. - Codice	Type HE Part No. - Codice																														
	 <p style="color: red; text-align: center;">For harsh environmental requirements Per ambienti aggressivi</p>  <p>HC - High Construction for IP68 cable glands HC - Costruzione alta per pressacavi IP68</p> <table border="1" data-bbox="150 1294 767 1503"> <thead> <tr> <th>Size Grandezza</th> <th>A</th> <th>B</th> <th>C</th> <th>F</th> <th>L</th> </tr> </thead> <tbody> <tr> <td>10B «57x27»</td> <td>73.5</td> <td>43.5</td> <td>*75,5</td> <td>127</td> <td>54</td> </tr> <tr> <td>16B «77x27»</td> <td>94</td> <td>43.5</td> <td>*75,5</td> <td>147</td> <td>54</td> </tr> <tr> <td>24B «104x27»</td> <td>120.5</td> <td>43.5</td> <td>*75,5</td> <td>174</td> <td>54</td> </tr> <tr> <td>32B «77x62»</td> <td>94</td> <td>83</td> <td>89</td> <td>147</td> <td>93.5</td> </tr> </tbody> </table>	Size Grandezza	A	B	C	F	L	10B «57x27»	73.5	43.5	*75,5	127	54	16B «77x27»	94	43.5	*75,5	147	54	24B «104x27»	120.5	43.5	*75,5	174	54	32B «77x62»	94	83	89	147	93.5	10B «57x27»	M 32	7810.5070.8
Size Grandezza		A	B	C	F	L																												
10B «57x27»		73.5	43.5	*75,5	127	54																												
16B «77x27»		94	43.5	*75,5	147	54																												
24B «104x27»		120.5	43.5	*75,5	174	54																												
32B «77x62»		94	83	89	147	93.5																												
10B «57x27»		M 40	7810.5071.8	7810.5071.6																														
10B «57x27»		Pg 21	7810.5072.8	7810.5072.6																														
10B «57x27»		Pg 29	7810.5073.8	7810.5073.6																														
16B «77x27»		M 32	7816.5074.8	7816.5074.6																														
16B «77x27»		M 40	7816.5075.8	7816.5075.6																														
16B «77x27»		Pg 21	7816.5076.8	7816.5076.6																														
16B «77x27»		Pg 29	7816.5077.8	7816.5077.6																														
24B «104x27»		M 32	7824.5078.8	7824.5078.6																														
24B «104x27»		M 40	7824.5079.8	7824.5079.6																														
24B «104x27»		Pg 21	7824.5080.8	7824.5080.6																														
24B «104x27»		Pg 29	7824.5081.8	7824.5081.6																														
32B «77x62»		M 32	7832.5082.6	7832.5082.6																														
32B «77x62»		M 40	7832.5083.6	7832.5083.6																														
32B «77x62»		Pg 29	7832.5085.6	7832.5085.6																														
32B «77x62»	Pg 36	7832.5086.6	7832.5086.6																															

*For threads M40 and Pg29 C = 81 with hoods LS (Large Shape) type
 *Per filettature M40 e Pg29 C = 81 con custodie tipo LS




- Type: HE for harsh environmental requirements and inserts up to 500V series: S-D, S-DD, S-E, S-ES, S-EP, S-ESHV, S-EE, S-HSB, S-K, S-M, S-EHV with crimp contacts
 Type: HE-HV for harsh environmental requirements and inserts up to 830V series S-EHV screw terminals and S-HSB for applications over 500V up to 830V
- Tipo: HE per ambienti aggressivi ed inserti fino a 500V serie: S-D, S-DD, S-E, S-ES, S-EP, S-ESHV, S-EE, S-HSB, S-K, S-M, S-EHV con contatti a crimpare
 Tipo: HE-HV per ambienti aggressivi ed inserti fino a 830V serie: S-EHV con terminali a vite e S-HSB per applicazioni oltre 500V fino a 830V
- IP66 / IP69 protection degree
 Grado di protezione IP66 / IP69
- Recommended type for IP68 cable glands
 Tipo raccomandato per pressacavi IP68

Hoods side entry with two levers <i>Custodie ingresso orizzontale con due leve</i>	Size <i>Grandezza</i>	Thread <i>Filettatura</i>	Type HE-HV Part No. - Codice	Type HE Part No. - Codice																								
	 <p style="color: red; text-align: center;">For harsh environmental requirements Per ambienti aggressivi</p>  <table border="1" data-bbox="151 1310 766 1489"> <thead> <tr> <th>Size <i>Grandezza</i></th> <th>A</th> <th>B</th> <th>C</th> <th>F</th> <th>L</th> </tr> </thead> <tbody> <tr> <td>10B «57x27»</td> <td>73.5</td> <td>43.5</td> <td>52</td> <td>127</td> <td>54</td> </tr> <tr> <td>16B «77x27»</td> <td>94</td> <td>43.5</td> <td>63</td> <td>147</td> <td>54</td> </tr> <tr> <td>24B «104x27»</td> <td>120.5</td> <td>43.5</td> <td>63</td> <td>174</td> <td>54</td> </tr> </tbody> </table>	Size <i>Grandezza</i>	A	B	C	F	L	10B «57x27»	73.5	43.5	52	127	54	16B «77x27»	94	43.5	63	147	54	24B «104x27»	120.5	43.5	63	174	54	10B «57x27»	M 20	7810.5090.3
Size <i>Grandezza</i>		A	B	C	F	L																						
10B «57x27»		73.5	43.5	52	127	54																						
16B «77x27»		94	43.5	63	147	54																						
24B «104x27»		120.5	43.5	63	174	54																						
10B «57x27»		M 25	7810.5091.3	7810.5091.1																								
10B «57x27»		Pg 16	7810.5092.3	7810.5092.1																								
16B «77x27»		M 25	7816.5093.3	7816.5093.1																								
16B «77x27»		M 32	7816.5094.3	7816.5094.1																								
16B «77x27»		Pg 21	7816.5095.3	7816.5095.1																								
24B «104x27»		M 25	7824.5096.3	7824.5096.1																								
24B «104x27»		M 32	7824.5097.3	7824.5097.1																								
24B «104x27»	Pg 21	7824.5098.3	7824.5098.1																									
24B «104x27»	Pg 29	7824.5099.3	7824.5099.1																									



- Type: HE for harsh environmental requirements and inserts up to 500V series: S-D, S-DD, S-E, S-ES, S-EP, S-ESHV, S-EE, S-HSB, S-K, S-M, S-EHV with crimp contacts
 Type: HE-HV for harsh environmental requirements and inserts up to 830V series S-EHV screw terminals and S-HSB for applications over 500V up to 830V
- *Tipo: HE per ambienti aggressivi ed inserti fino a 500V serie: S-D, S-DD, S-E, S-ES, S-EP, S-ESHV, S-EE, S-HSB, S-K, S-M, S-EHV con contatti a crimpare*
Tipo: HE-HV per ambienti aggressivi ed inserti fino a 830V serie: S-EHV con terminali a vite e S-HSB per applicazioni oltre 500V fino a 830V
- IP66 / IP69 protection degree
Grado di protezione IP66 / IP69
- For IP66 and IP68 cable glands
Per pressacavi IP66 e IP68


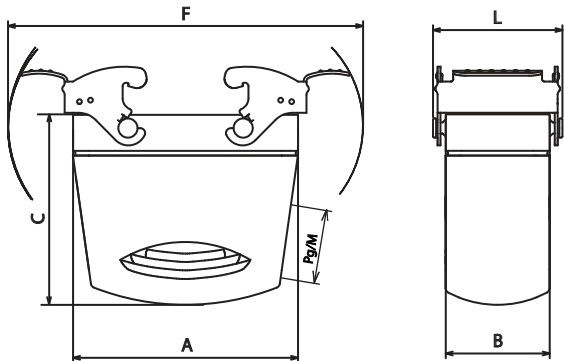
Hoods side entry with two levers Custodie ingresso orizzontale con due leve	Size	Thread	Type HE-HV	Type HE
	Grandezza	Filettatura	Part No. - Codice	Part No. - Codice
 <p style="color: red; text-align: center;">For harsh environmental requirements Per ambienti aggressivi</p>	10B «57x27»	M 32	7810.5100.3	7810.5100.1
	10B «57x27»	M 40	7810.5101.3	7810.5101.1
	10B «57x27»	Pg 21	7810.5102.3	7810.5102.1
	10B «57x27»	Pg 29	7810.5103.3	7810.5103.1
	16B «77x27»	M 32	7816.5104.3	7816.5104.1
	16B «77x27»	M 40	7816.5105.3	7816.5105.1
	16B «77x27»	Pg 21	7816.5106.3	7816.5106.1
	16B «77x27»	Pg 29	7816.5107.3	7816.5107.1
	24B «104x27»	M 32	7824.5108.3	7824.5108.1
	24B «104x27»	M 40	7824.5109.3	7824.5109.1
	24B «104x27»	Pg 21	7824.5110.3	7824.5110.1
	24B «104x27»	Pg 29	7824.5111.3	7824.5111.1
	32B «77x62»	M 32	7832.5112.1	7832.5112.1
	32B «77x62»	M 40	7832.5113.1	7832.5113.1
	32B «77x62»	Pg 21	7832.5114.1	7832.5114.1
	32B «77x62»	Pg 29	7832.5115.1	7832.5115.1
	32B «77x62»	Pg 36	7832.5116.1	7832.5116.1

Size Grandezza	A	B	C	F	L
10B «57x27»	73.5	43.5	*80	127	54
16B «77x27»	94	43.5	*80	147	54
24B «104x27»	120.5	43.5	*80	174	54
32B «77x62»	94	83	94	147	93.5

*For threads M40 and Pg29 C = 81 with hoods LS (Large Shape) type
 *Per filettature M40 e Pg29 C = 81 con custodie tipo LS

CE (RoHS) US Type 4/4x/12



- Type: HE for harsh environmental requirements and inserts up to 500V series: S-D, S-DD, S-E, S-ES, S-EP, S-ESHV, S-EE, S-HSB, S-K, S-M, S-EHV with crimp contacts
 Type: HE-HV for harsh environmental requirements and inserts up to 830V series S-EHV screw terminals and S-HSB for applications over 500V up to 830V
- Tipo: HE per ambienti aggressivi ed inserti fino a 500V serie: S-D, S-DD, S-E, S-ES, S-EP, S-ESHV, S-EE, S-HSB, S-K, S-M, S-EHV con contatti a crimpare
 Tipo: HE-HV per ambienti aggressivi ed inserti fino a 830V serie: S-EHV con terminali a vite e S-HSB per applicazioni oltre 500V fino a 830V
- IP66 / IP69 protection degree
 Grado di protezione IP66 / IP69
- For IP66 and IP68 cable glands
 Per pressacavi IP66 e IP68

Hoods side entry with two levers <i>Custodie ingresso orizzontale con due leve</i>	Size <i>Grandezza</i>	Thread <i>Filettatura</i>	Type HE-HV Part No. - Codice	Type HE Part No. - Codice																														
	 <p style="color: red; text-align: center;">For harsh environmental requirements Per ambienti aggressivi</p>  <p>HC - High Construction for IP68 cable glands HC - Costruzione alta per pressacavi IP68</p> <table border="1" data-bbox="146 1261 769 1469"> <thead> <tr> <th>Size <i>Grandezza</i></th> <th>A</th> <th>B</th> <th>C</th> <th>F</th> <th>L</th> </tr> </thead> <tbody> <tr> <td>10B «57x27»</td> <td>73.5</td> <td>43.5</td> <td>*80</td> <td>127</td> <td>54</td> </tr> <tr> <td>16B «77x27»</td> <td>94</td> <td>43.5</td> <td>*80</td> <td>147</td> <td>54</td> </tr> <tr> <td>24B «104x27»</td> <td>120.5</td> <td>43.5</td> <td>*80</td> <td>174</td> <td>54</td> </tr> <tr> <td>32B «77x62»</td> <td>94</td> <td>83</td> <td>94</td> <td>147</td> <td>93.5</td> </tr> </tbody> </table>	Size <i>Grandezza</i>	A	B	C	F	L	10B «57x27»	73.5	43.5	*80	127	54	16B «77x27»	94	43.5	*80	147	54	24B «104x27»	120.5	43.5	*80	174	54	32B «77x62»	94	83	94	147	93.5	10B «57x27»	M 32	7810.5100.8
Size <i>Grandezza</i>		A	B	C	F	L																												
10B «57x27»		73.5	43.5	*80	127	54																												
16B «77x27»		94	43.5	*80	147	54																												
24B «104x27»		120.5	43.5	*80	174	54																												
32B «77x62»		94	83	94	147	93.5																												
10B «57x27»		M 40	7810.5101.8	7810.5101.6																														
10B «57x27»		Pg 21	7810.5102.8	7810.5102.6																														
10B «57x27»		Pg 29	7810.5103.8	7810.5103.6																														
16B «77x27»		M 32	7816.5104.8	7816.5104.6																														
16B «77x27»		M 40	7816.5105.8	7816.5105.6																														
16B «77x27»		Pg 21	7816.5106.8	7816.5106.6																														
16B «77x27»		Pg 29	7816.5107.8	7816.5107.6																														
24B «104x27»		M 32	7824.5108.8	7824.5108.6																														
24B «104x27»		M 40	7824.5109.8	7824.5109.6																														
24B «104x27»		Pg 21	7824.5110.8	7824.5110.6																														
24B «104x27»		Pg 29	7824.5111.8	7824.5111.6																														
32B «77x62»		M 32	7832.5112.6	7832.5112.6																														
32B «77x62»		M 40	7832.5113.6	7832.5113.6																														
32B «77x62»		Pg 21	7832.5114.6	7832.5114.6																														
32B «77x62»	Pg 29	7832.5115.6	7832.5115.6																															
32B «77x62»	Pg 36	7832.5116.6	7832.5116.6																															

*For threads M40 and Pg29 C = 81 with hoods LS (Large Shape) type
 *Per filettature M40 e Pg29 C = 81 con custodie tipo LS


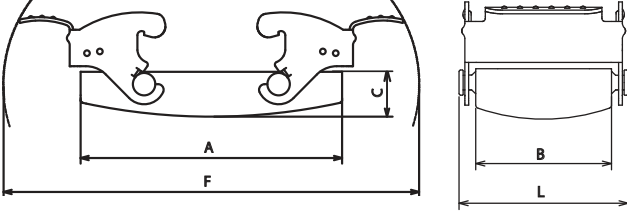


- Type: HE for harsh environmental requirements and inserts up to 500V series: S-D, S-DD, S-E, S-ES, S-EP, S-ESHV, S-EE, S-HSB, S-K, S-M, S-EHV with crimp contacts
 Type: HE-HV for harsh environmental requirements and inserts up to 830V series S-EHV screw terminals and S-HSB for applications over 500V up to 830V
- *Tipo: HE per ambienti aggressivi ed inserti fino a 500V serie: S-D, S-DD, S-E, S-ES, S-EP, S-ESHV, S-EE, S-HSB, S-K, S-M, S-EHV con contatti a crimpare*
Tipo: HE-HV per ambienti aggressivi ed inserti fino a 830V serie: S-EHV con terminali a vite e S-HSB per applicazioni oltre 500V fino a 830V
- IP66 / IP69 protection degree
Grado di protezione IP66 / IP69
- Recommended type for IP68 cable glands
Tipo raccomandato per pressacavi IP68

Covers with 4 pegs with gasket <i>Coperchi con 4 perni con guarnizione</i>	Size <i>Grandezza</i>	Type HE-HV Part No. - Codice	Type HE Part No. - Codice																				
	 <p style="text-align: center; color: red;">For harsh environmental requirements <i>Per ambienti aggressivi</i></p>  <table border="1" data-bbox="245 1435 831 1646"> <thead> <tr> <th>Size <i>Grandezza</i></th> <th>A</th> <th>B</th> <th>C</th> </tr> </thead> <tbody> <tr> <td>10B «57x27»</td> <td>73</td> <td>43</td> <td>22</td> </tr> <tr> <td>16B «77x27»</td> <td>94</td> <td>43</td> <td>22</td> </tr> <tr> <td>24B «104x27»</td> <td>120</td> <td>43</td> <td>23</td> </tr> <tr> <td>32B «77x62»</td> <td>94</td> <td>83</td> <td>24</td> </tr> </tbody> </table>	Size <i>Grandezza</i>	A	B	C	10B «57x27»	73	43	22	16B «77x27»	94	43	22	24B «104x27»	120	43	23	32B «77x62»	94	83	24	10B «57x27»	7810.5120.1
Size <i>Grandezza</i>		A	B	C																			
10B «57x27»		73	43	22																			
16B «77x27»		94	43	22																			
24B «104x27»	120	43	23																				
32B «77x62»	94	83	24																				
16B «77x27»	7816.5121.1	7816.5121.1																					
24B «104x27»	7824.5122.1	7824.5122.1																					
32B «77x62»	7832.5123.1	7832.5123.1																					




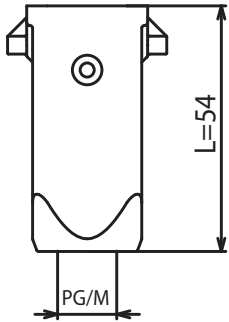
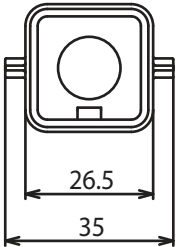

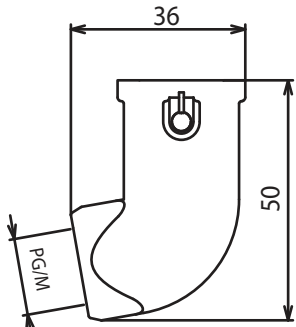
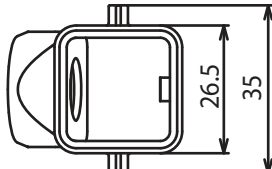

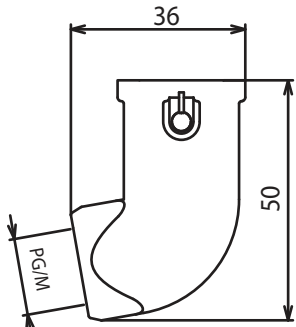
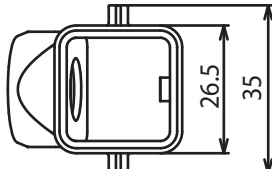
- Type: HE-HV for harsh environmental requirements and inserts up to 830V, for hoods HE and HE-HV series.
- *Tipo HE-HV per applicazioni in ambienti aggressivi ed inserti fino a 830V, per custodie mobili serie HE e HE-HV.*
- IP66 / IP69 protection degree
Grado di protezione IP66 / IP69


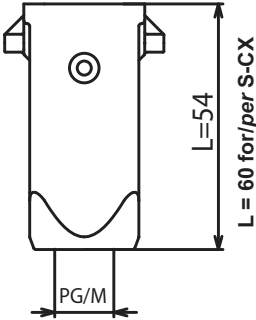
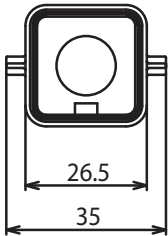





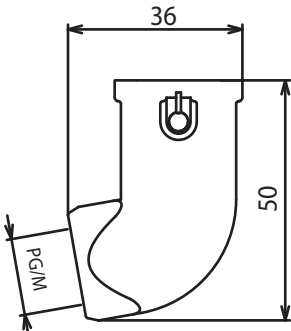
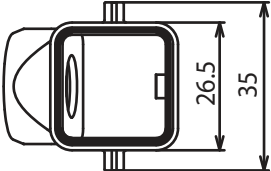








Covers with 2 levers without gasket Coperchi con 2 leve senza guarnizione	Size Grandezza	Type HE-HV Part No. - Codice	Type HE Part No. - Codice																														
	 <p style="text-align: center; color: red;">For harsh environmental requirements Per ambienti aggressivi</p>  <table border="1" data-bbox="220 1438 853 1646"> <thead> <tr> <th>Size Grandezza</th> <th>A</th> <th>B</th> <th>C</th> <th>F</th> <th>L</th> </tr> </thead> <tbody> <tr> <td>10B «57x27»</td> <td>73</td> <td>43</td> <td>16</td> <td>127</td> <td>54</td> </tr> <tr> <td>16B «77x27»</td> <td>94</td> <td>43</td> <td>16</td> <td>147</td> <td>54</td> </tr> <tr> <td>24B «104x27»</td> <td>120</td> <td>43</td> <td>17</td> <td>174</td> <td>54</td> </tr> <tr> <td>32B «77x62»</td> <td>94</td> <td>83</td> <td>18</td> <td>147</td> <td>93.5</td> </tr> </tbody> </table>	Size Grandezza	A	B	C	F	L	10B «57x27»	73	43	16	127	54	16B «77x27»	94	43	16	147	54	24B «104x27»	120	43	17	174	54	32B «77x62»	94	83	18	147	93.5	10B «57x27»	7810.5124.1
Size Grandezza		A	B	C	F	L																											
10B «57x27»		73	43	16	127	54																											
16B «77x27»		94	43	16	147	54																											
24B «104x27»	120	43	17	174	54																												
32B «77x62»	94	83	18	147	93.5																												
16B «77x27»	7816.5125.1	7816.5125.1																															
24B «104x27»	7824.5126.1	7824.5126.1																															
32B «77x62»	7832.5127.1	7832.5127.1																															

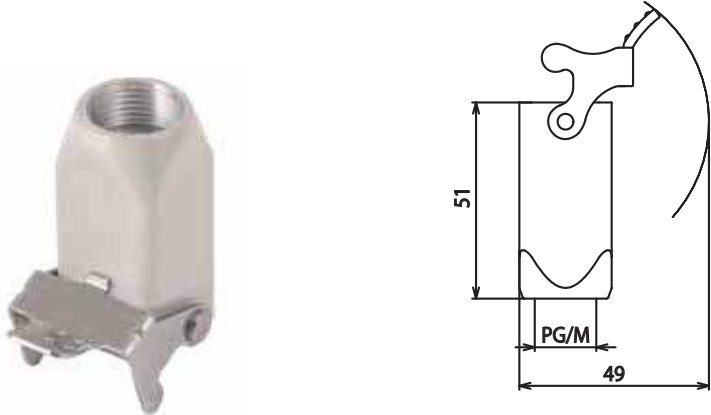

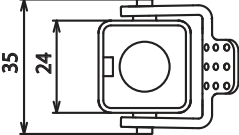
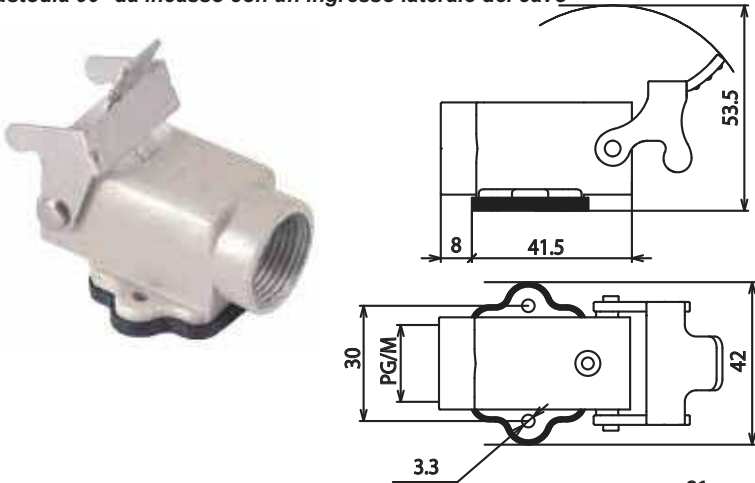

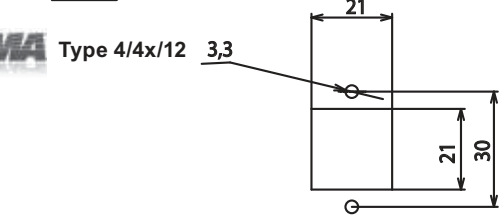



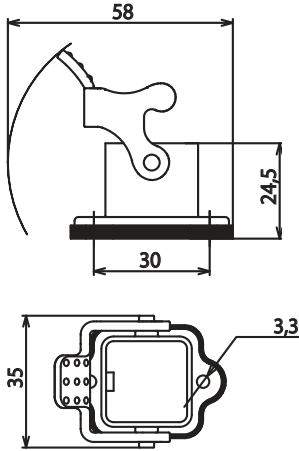
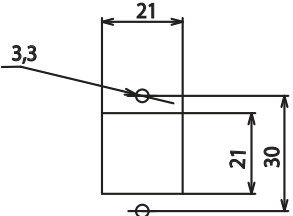

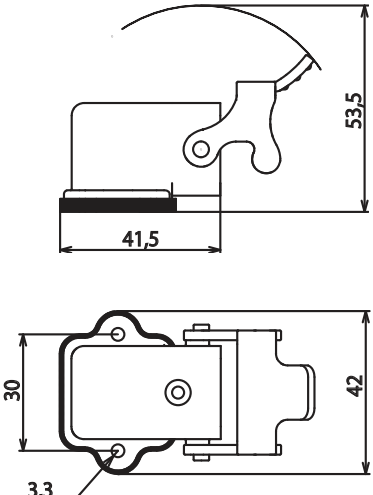
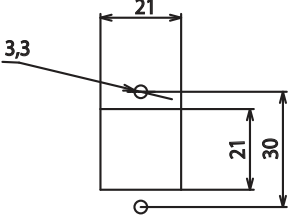
- Type: HE-HV for harsh environmental requirements and inserts up to 830V, for hoods HE and HE-HV series.
- Tipo HE-HV per applicazioni in ambienti aggressivi ed inserti fino a 830V, per custodie mobili serie HE e HE-HV.
- IP66 / IP69 protection degree
Grado di protezione IP66 / IP69


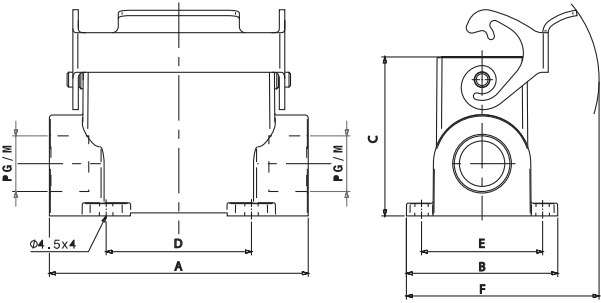


Hoods without gasket for inserts S-A, S-D, S-Q series Custodie mobili senza guarnizione per inserti serie S-A, S-D, S-Q	Type Tipo	Thread Filettatura	Part No. Codice
<p>Hood top entry Custodia con ingresso verticale</p>   <p>CE (RoHS) (cRUUS) NEMA Type 4/4x/12</p> <ul style="list-style-type: none"> - Type EMC for EMC applications - For inserts size 3A. S-A, S-D, S-Q series - With metric thread M20 or with Pg11 - IP66 protection degree - IP67 protection degree with screw gasket <p>- Tipo EMC: per applicazioni standard dove è richiesta la compatibilità elettromagnetica</p> <ul style="list-style-type: none"> - Per inserti grandezza 3A. Serie S-A, S-D, S-Q - Con filettatura metrica M20 o Pg11 - Grado di protezione IP66 - Grado di protezione IP67 con guarnizione sulla vite 	EMC	M 20	7803.6228.4
<p>Hood side entry Custodia con ingresso orizzontale</p>   <p>CE (RoHS) (cRUUS) NEMA Type 4/4x/12</p> <ul style="list-style-type: none"> - Type EMC for EMC applications - For inserts size 3A. S-A, S-D, S-Q series - With metric thread M20 or with Pg11 - IP66 protection degree - IP67 protection degree with screw gasket <p>- Tipo EMC: per applicazioni standard dove è richiesta la compatibilità elettromagnetica</p> <ul style="list-style-type: none"> - Per inserti grandezza 3A. Serie S-A, S-D, S-Q - Con filettatura metrica M20 o Pg11 - Grado di protezione IP66 - Grado di protezione IP67 con guarnizione sulla vite 	EMC	M 20	7803.6230.4
<p>Hood side entry Custodia con ingresso orizzontale</p>   <p>CE (RoHS) (cRUUS) NEMA Type 4/4x/12</p> <ul style="list-style-type: none"> - Type EMC for EMC applications - For inserts size 3A. S-A, S-D, S-Q series - With metric thread M20 or with Pg11 - IP66 protection degree - IP67 protection degree with screw gasket <p>- Tipo EMC: per applicazioni standard dove è richiesta la compatibilità elettromagnetica</p> <ul style="list-style-type: none"> - Per inserti grandezza 3A. Serie S-A, S-D, S-Q - Con filettatura metrica M20 o Pg11 - Grado di protezione IP66 - Grado di protezione IP67 con guarnizione sulla vite 	EMC	Pg 11	7803.6210.4





Hoods with gasket for inserts S-IEC, S-CX series Custodie mobili con guarnizione per inserti serie S-IEC, S-CX	Type Tipo	Thread Filettatura	Part No. Codice
<p>Hood top entry Custodia con ingresso verticale</p>    <p>     Type 4/4x/12 </p> <ul style="list-style-type: none"> - Type EMC for EMC applications - For inserts size 3A, S-IEC and S-CX series - With metric thread M20 or with Pg11 - IP66 protection degree - IP67 protection degree with screw gasket <p> - <i>Tipo EMC: per applicazioni standard dove è richiesta la compatibilità elettromagnetica</i> - Per inserti grandezza 3A, Serie S-IEC e S-CX - Con filettatura metrica M20 o Pg11 - Grado di protezione IP66 - Grado di protezione IP67 con guarnizione sulla vite </p>	EMC	M 20	for/per S-IEC 7803.6218.4 for/per S-CX 7803.6218.9
<p>Hood side entry Custodia con ingresso orizzontale</p>    <p>     Type 4/4x/12 </p> <ul style="list-style-type: none"> - Type EMC for EMC applications - For inserts size 3A, S-IEC series - With metric thread M20 or with Pg11 - IP66 protection degree - IP67 protection degree with screw gasket <p> - <i>Tipo EMC: per applicazioni standard dove è richiesta la compatibilità elettromagnetica</i> - Per inserti grandezza 3A, Serie S-IEC - Con filettatura metrica M20 o Pg11 - Grado di protezione IP66 - Grado di protezione IP67 con guarnizione sulla vite </p>	EMC	M 20	7803.6220.4
<p>     Type 4/4x/12 </p> <ul style="list-style-type: none"> - Type EMC for EMC applications - For inserts size 3A, S-IEC series - With metric thread M20 or with Pg11 - IP66 protection degree - IP67 protection degree with screw gasket <p> - <i>Tipo EMC: per applicazioni standard dove è richiesta la compatibilità elettromagnetica</i> - Per inserti grandezza 3A, Serie S-IEC - Con filettatura metrica M20 o Pg11 - Grado di protezione IP66 - Grado di protezione IP67 con guarnizione sulla vite </p>	EMC	Pg 11	7803.6221.4

Description - Descrizione	Type Tipo	Thread Filettatura	Part No. Codice
<p>Hood top entry with lever <i>Custodia ingresso verticale con leva</i></p> 	EMC	M 20	7803.6232.4
<p>  </p> <ul style="list-style-type: none"> - Type EMC for EMC applications - For inserts size 3A. S-A, S-D, S-Q series - With metric thread M20 or with Pg11 - IP66 protection degree - IP67 protection degree with screw gasket <p> <i>- Tipo EMC: per applicazioni standard dove è richiesta la compatibilità elettromagnetica</i> - Per inserti grandezza 3A. Serie S-A, S-D, S-Q - Con filettatura metrica M20 o Pg11 - Grado di protezione IP66 - Grado di protezione IP67 con guarnizione sulla vite </p> 	EMC	Pg 11	7803.6212.4
<p>Right angle bulkhead mounting housing 1 side cable entry <i>Custodia 90° da incasso con un ingresso laterale del cavo</i></p> 	EMC	M 20	7803.6226.4
<p>  </p> <ul style="list-style-type: none"> - Type EMC for EMC applications - For inserts size 3A. S-A, S-D, S-Q series - With metric thread M20 or with Pg11 - IP66 protection degree - IP67 protection degree with screw gasket <p> <i>- Tipo EMC: per applicazioni standard dove è richiesta la compatibilità elettromagnetica</i> - Per inserti grandezza 3A. Serie S-A, S-D, S-Q - Con filettatura metrica M20 o Pg11 - Grado di protezione IP66 - Grado di protezione IP67 con guarnizione sulla vite </p>  <p>Panel cut out Foratura del pannello</p>	EMC	Pg 11	7803.6206.4

Description - Descrizione	Type Tipo	Part No. Codice
<p>Bulkhead mounting housing Custodia da incasso</p>   <p>CE (RoHS) (CULUS) NEMA Type 4/4x/12</p> <ul style="list-style-type: none"> - Type EMC for EMC applications - For inserts size 3A. S-A, S-D, S-Q, S-IEC, S-CX series - With metric thread M20 or with Pg11 - IP66 protection degree - IP67 protection degree with screw gasket <p>- Tipo EMC: per applicazioni standard dove è richiesta la compatibilità elettromagnetica</p> <ul style="list-style-type: none"> - Per inserti grandezza 3A. Serie S-A, S-D, S-Q, S-IEC, S-CX - Con filettatura metrica M20 o Pg11 - Grado di protezione IP66 - Grado di protezione IP67 con guarnizione sulla vite 	EMC	7803.6202.4
<p>Right angle bulkhead mounting housing Custodia a 90° da incasso</p>   <p>CE (RoHS) (CULUS) NEMA Type 4/4x/12</p> <ul style="list-style-type: none"> - Type EMC for EMC applications - For inserts size 3A. S-A, S-D, S-Q series - With metric thread M20 or with Pg11 - IP66 protection degree - IP67 protection degree with screw gasket <p>- Tipo EMC: per applicazioni standard dove è richiesta la compatibilità elettromagnetica</p> <ul style="list-style-type: none"> - Per inserti grandezza 3A. Serie S-A, S-D, S-Q - Con filettatura metrica M20 o Pg11 - Grado di protezione IP66 - Grado di protezione IP67 con guarnizione sulla vite 	EMC	7803.6204.4


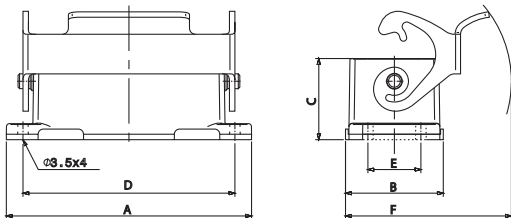
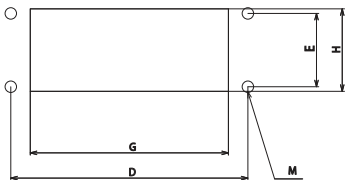
Surface mounting housings Custodie da parete		Size Grandezza	Thread Filettatura	No. of poles No. poli *	Part No. Codice
 		10A «49x16»	M 20X2	10	7810.4502.4
		10A «49x16»	M 25X2	10	7810.4504.4
		10A «49x16»	Pg 16X2	10	7810.4506.4
		10A «49x16»	Pg 21X2	10	7810.4508.4
		16A «66x16»	M 20X2	16	7816.4522.4
		16A «66x16»	M 25X2	16	7816.4524.4
		16A «66x16»	Pg 16X2	16	7816.4526.4
		16A «66x16»	Pg 21X2	16	7816.4528.4

Size Grandezza	Poles Poli	A	B	C	D	E	F
10A «49x16»	10	85,5	50	52,5	48	40	63,6
16A «66x16»	16	102	50	57	64	40	63,6









 Type 4/4x/12

- Type: EMC for EMC applications up to 500V for S-A, S-D inserts
Tipo: EMC per applicazioni fino a 500V dove è richiesta la compatibilità elettromagnetica. Per inserti S-A, S-D
- IP66 / IP69 protection degree
Grado di protezione IP66 / IP69
- Two entries
Due ingressi

* Number of poles with S-A inserts
Numero di poli con inserti S-A


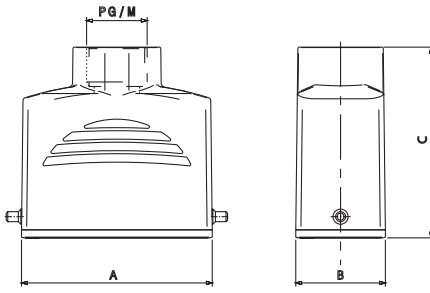

Bulkhead mounting housings Custodie da incasso		Size Grandezza	No. of poles No. poli *	Part No. Codice
   <p>Panel cut out Foratura del pannello</p>		10A «49x16»	10	7810.4541.4
		16A «66x16»	16	7816.4543.4



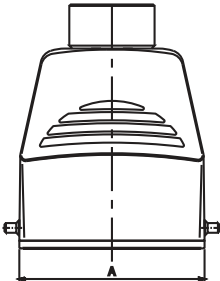
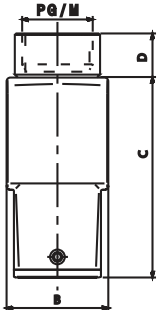
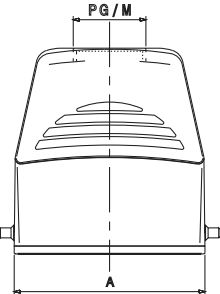
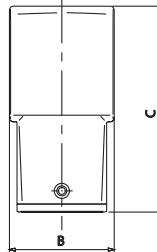
Size Grandezza	Poles Poli	A	B	C	D	E	F	G	H	M
10A «49x16»	10	81	32,3	26,8	70	17,5	54,8	57	24	3,5
16A «66x16»	16	96	32,3	26,8	86	17,5	54,8	73	24	3,5


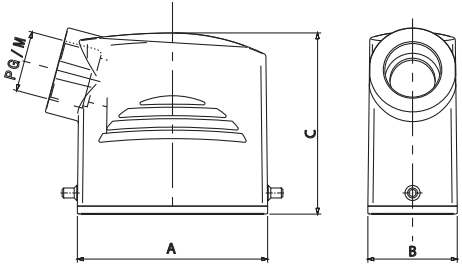





 Type 4/4x/12


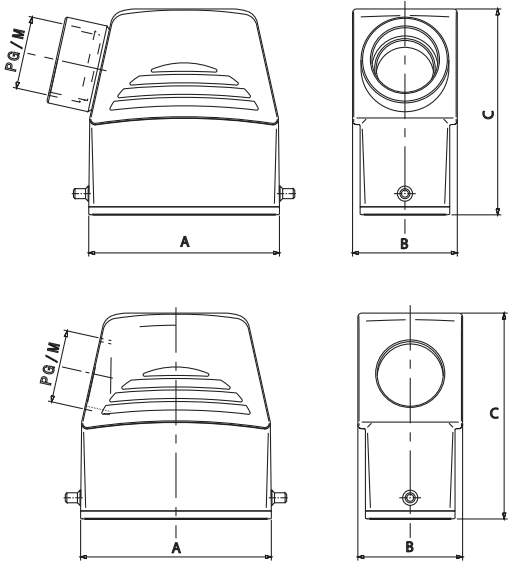
- Type: EMC for EMC applications up to 500V for S-A, S-D inserts
Tipo: EMC per applicazioni fino a 500V dove è richiesta la compatibilità elettromagnetica. Per inserti S-A, S-D
- IP66 / IP69 protection degree
Grado di protezione IP66 / IP69

* Number of poles with S-A inserts
Numero di poli con inserti S-A

Hoods top entry with 2 pegs for one lever Custodie con ingresso verticale con 2 perni per una leva		Size Grandezza	Thread Filettatura	No. of poles No. poli *	Part No. Codice														
		10A «49x16»	M 20	10	7810.4550.4														
		10A «49x16»	M 25	10	7810.4551.4														
		10A «49x16»	Pg 13,5	10	7810.4552.4														
		10A «49x16»	Pg 16	10	7810.4553.4														
		16A «66x16»	M 20	16	7816.4555.4														
		16A «66x16»	M 25	16	7816.4556.4														
		16A «66x16»	Pg 13,5	16	7816.4557.4														
		16A «66x16»	Pg 16	16	7816.4558.4														
																			
<table border="1"> <thead> <tr> <th>Size Grandezza</th> <th>Poles Poli</th> <th>A</th> <th>B</th> <th>C</th> </tr> </thead> <tbody> <tr> <td>10A «49x16»</td> <td>10</td> <td>63</td> <td>29,6</td> <td>63</td> </tr> <tr> <td>16A «66x16»</td> <td>16</td> <td>79,5</td> <td>29,6</td> <td>63</td> </tr> </tbody> </table>		Size Grandezza	Poles Poli	A	B	C	10A «49x16»	10	63	29,6	63	16A «66x16»	16	79,5	29,6	63			
Size Grandezza	Poles Poli	A	B	C															
10A «49x16»	10	63	29,6	63															
16A «66x16»	16	79,5	29,6	63															
<p>  UL US NEMA Type 4/4x/12 </p> <p>- Type: EMC for EMC applications up to 500V for S-A, S-D inserts</p> <p>Tipo: EMC per applicazioni fino a 500V dove è richiesta la compatibilità elettromagnetica. Per inserti S-A, S-D</p> <p>- IP66 / IP69 protection degree Grado di protezione IP66 / IP69</p> <p>* Number of poles with S-A inserts Numero di poli con inserti S-A</p>																			

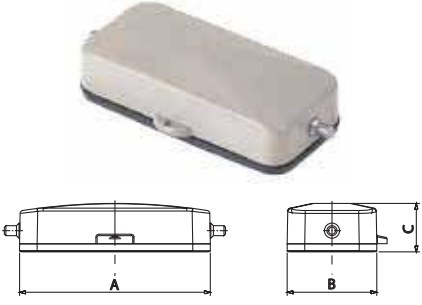

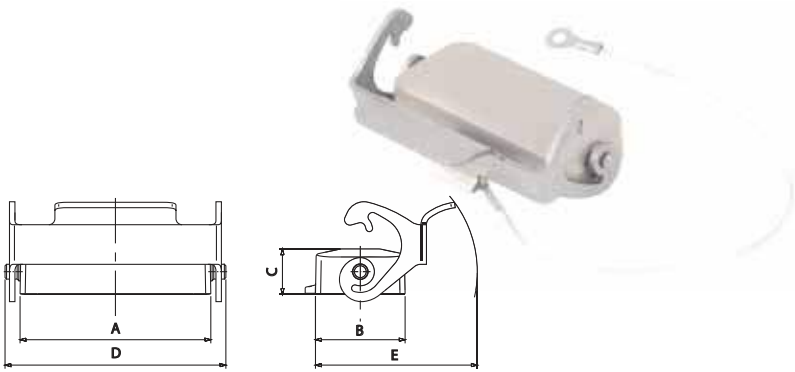

Hoods top entry with 2 pegs for one lever Custodie con ingresso verticale con 2 perni per una leva	Size Grandezza	Thread Filettatura	No. of poles No. poli *	Part No. Codice																			
<p>With threaded fitting part No. "4" Con raccordo filettato cod. "4"</p>  <p>Without threaded fitting part No. "9" Senza raccordo filettato cod. "9"</p>  <p>HC - High construction HC - Costruzione alta</p>   <table border="1" data-bbox="603 824 810 1032"> <thead> <tr> <th>Thread Filettatura</th> <th>D</th> </tr> </thead> <tbody> <tr> <td>M 20</td> <td>14</td> </tr> <tr> <td>M 25</td> <td>15</td> </tr> <tr> <td>Pg16</td> <td>14</td> </tr> <tr> <td>Pg21</td> <td>15</td> </tr> </tbody> </table>   <table border="1" data-bbox="193 1424 727 1559"> <thead> <tr> <th>Size Grandezza</th> <th>A</th> <th>B</th> <th>C</th> </tr> </thead> <tbody> <tr> <td>10A «49x16»</td> <td>63</td> <td>34,6</td> <td>68</td> </tr> <tr> <td>16A «66x16»</td> <td>79,5</td> <td>34,6</td> <td>71</td> </tr> </tbody> </table>	Thread Filettatura	D	M 20	14	M 25	15	Pg16	14	Pg21	15	Size Grandezza	A	B	C	10A «49x16»	63	34,6	68	16A «66x16»	79,5	34,6	71	10A «49x16» M 20 10 7810.4561.4 10A «49x16» M 25 10 7810.4562.4 10A «49x16» Pg 16 10 7810.4563.4 10A «49x16» Pg 21 10 7810.4564.4 10A «49x16» * 10 7810.4565.4 10A «49x16» M 20 10 7810.4561.9 10A «49x16» M 25 10 7810.4562.9 10A «49x16» Pg 16 10 7810.4563.9 10A «49x16» Pg 21 10 7810.4564.9 16A «66x16» M 20 16 7816.4566.4 16A «66x16» M 25 16 7816.4567.4 16A «66x16» Pg 16 16 7816.4568.4 16A «66x16» Pg 21 16 7816.4569.4 16A «66x16» * 16 7816.4570.4 16A «66x16» M 20 16 7816.4566.9 16A «66x16» M 25 16 7816.4567.9 16A «66x16» Pg 16 16 7816.4568.9 16A «66x16» Pg 21 16 7816.4569.9
	Thread Filettatura	D																					
	M 20	14																					
	M 25	15																					
	Pg16	14																					
	Pg21	15																					
	Size Grandezza	A	B	C																			
	10A «49x16»	63	34,6	68																			
	16A «66x16»	79,5	34,6	71																			
	<p>CE (RoHS) (CULUS) NEMA Type 4/4x/12</p> <ul style="list-style-type: none"> - Type: EMC for EMC applications up to 500V for S-A, S-D inserts Tipo: EMC per applicazioni fino a 500V dove è richiesta la compatibilità elettromagnetica. Per inserti S-A, S-D - IP66 / IP69 protection degree Grado di protezione IP66 / IP69 - With threaded fitting for IP66 and IP68 cable gland, part number "4" Con raccordo filettato per pressacavi IP66 e IP68, codice "4" - Without threaded fitting recommended for IP68 cable glands, part no. "9" Senza raccordo filettato raccomandato per pressacavi IP68, codice "9" <p>* Without cable entry Senza ingresso cavi</p> <p>* Number of poles with S-A inserts Numero di poli con inserti S-A</p>																						

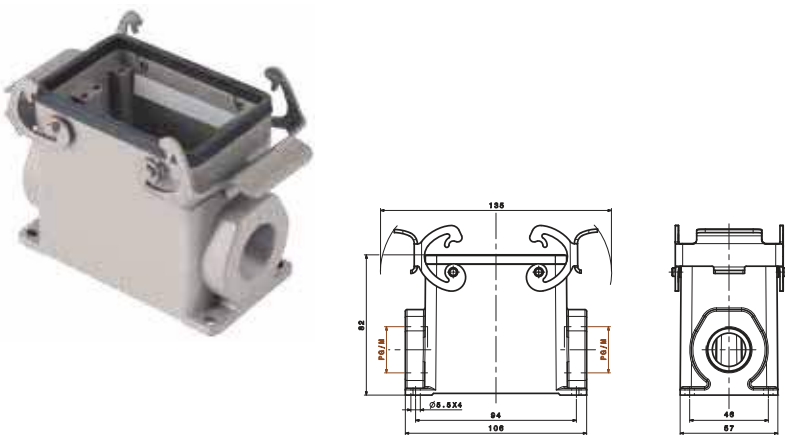
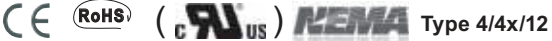
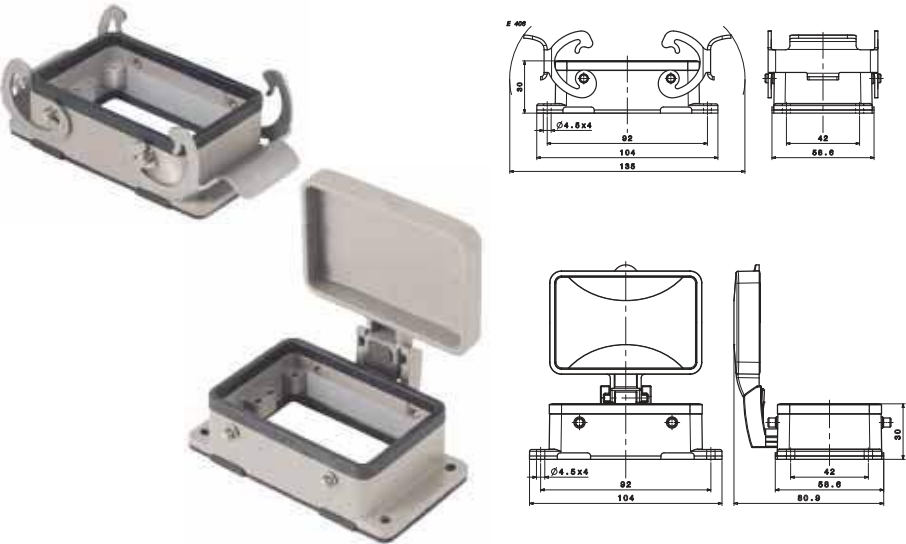
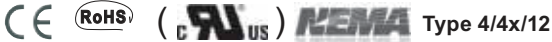
Hoods side entry with 2 pegs for one lever Custodie con ingresso orizzontale con 2 perni per una leva		Size Grandezza	Thread Filettatura	No. of poles No. poli *	Part No. Codice															
		10A «49x16»	M 20	10	7810.4571.4															
		10A «49x16»	M 25	10	7810.4572.4															
		10A «49x16»	Pg 16	10	7810.4573.4															
		16A «66x16»	M 20	16	7816.4575.4															
		16A «66x16»	M 25	16	7816.4576.4															
		16A «66x16»	Pg 16	16	7816.4577.4															
																				
		<table border="1"> <thead> <tr> <th>Size Grandezza</th> <th>Poles Poli</th> <th>A</th> <th>B</th> <th>C</th> </tr> </thead> <tbody> <tr> <td>10A «49x16»</td> <td>10</td> <td>63</td> <td>29,6</td> <td>60</td> </tr> <tr> <td>16A «66x16»</td> <td>16</td> <td>79,5</td> <td>29,6</td> <td>60</td> </tr> </tbody> </table>				Size Grandezza	Poles Poli	A	B	C	10A «49x16»	10	63	29,6	60	16A «66x16»	16	79,5	29,6	60
Size Grandezza	Poles Poli	A	B	C																
10A «49x16»	10	63	29,6	60																
16A «66x16»	16	79,5	29,6	60																
<p>  REMA Type 4/4x/12 </p> <ul style="list-style-type: none"> - Type: EMC for EMC applications up to 500V for S-A, S-D inserts Tipo: EMC per applicazioni fino a 500V dove è richiesta la compatibilità elettromagnetica. Per inserti S-A, S-D - IP66 / IP69 protection degree Grado di protezione IP66 / IP69 <p>* Number of poles with S-A inserts Numero di poli con inserti S-A</p>																				



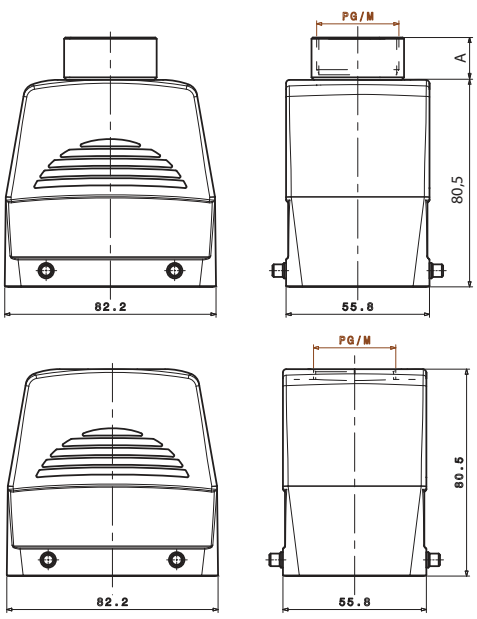

Hoods side entry with 2 pegs for one lever Custodie con ingresso orizzontale con 2 perni per una leva	Size Grandezza	Thread Filettatura	No. of poles No. poli *	Part No. Codice												
<p>With threaded fitting part No. "4" Con raccordo filettato cod. "4"</p> <p>Without threaded fitting part No. "9" Senza raccordo filettato cod. "9"</p>  <p>HC - High construction HC - Costruzione alta</p>  <table border="1" data-bbox="183 1377 742 1523"> <thead> <tr> <th>Size Grandezza</th> <th>A</th> <th>B</th> <th>C</th> </tr> </thead> <tbody> <tr> <td>10A «49x16»</td> <td>63</td> <td>34,6</td> <td>68</td> </tr> <tr> <td>16A «66x16»</td> <td>79,5</td> <td>34,6</td> <td>71</td> </tr> </tbody> </table>	Size Grandezza	A	B	C	10A «49x16»	63	34,6	68	16A «66x16»	79,5	34,6	71	10A «49x16»	M 20	10	7810.4581.4
	Size Grandezza	A	B	C												
	10A «49x16»	63	34,6	68												
	16A «66x16»	79,5	34,6	71												
	10A «49x16»	M 25	10	7810.4582.4												
	10A «49x16»	Pg 16	10	7810.4583.4												
	10A «49x16»	Pg 21	10	7810.4584.4												
	10A «49x16»	M 20	10	7810.4581.9												
	10A «49x16»	M 25	10	7810.4582.9												
	10A «49x16»	Pg 16	10	7810.4583.9												
	10A «49x16»	Pg 21	10	7810.4584.9												
	16A «66x16»	M 20	16	7816.4586.4												
	16A «66x16»	M 25	16	7816.4587.4												
	16A «66x16»	Pg 16	16	7816.4588.4												
	16A «66x16»	Pg 21	16	7816.4589.4												
	16A «66x16»	M 20	16	7816.4586.9												
16A «66x16»	M 25	16	7816.4587.9													
16A «66x16»	Pg 16	16	7816.4588.9													
16A «66x16»	Pg 21	16	7816.4589.9													

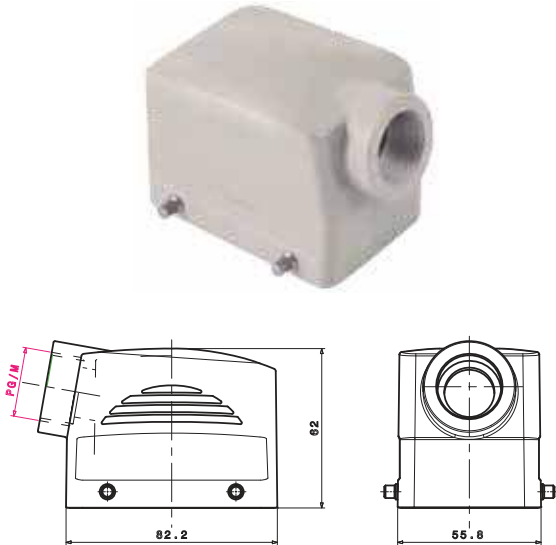
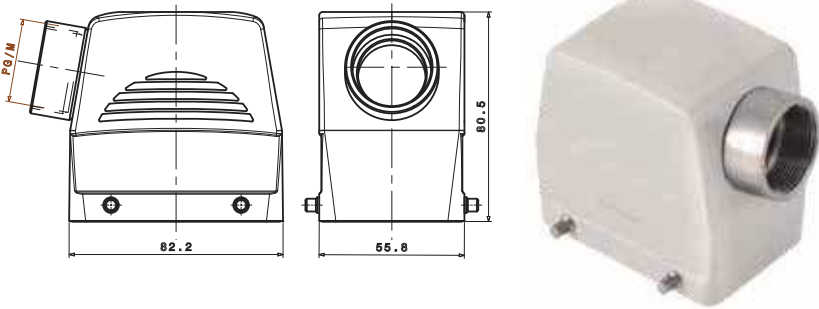
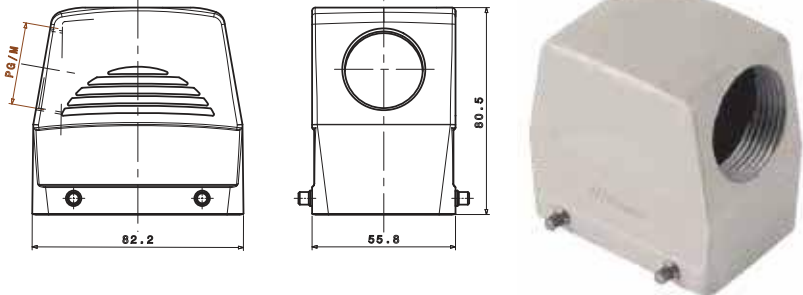
CE (RoHS) (CULUS) NEMA Type 4/4x/12

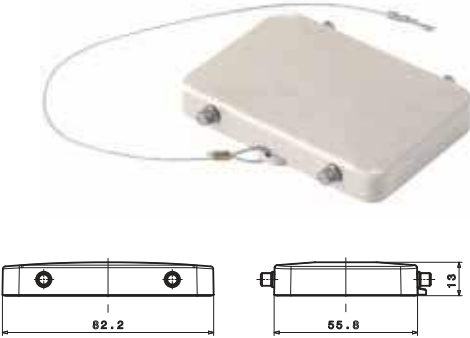
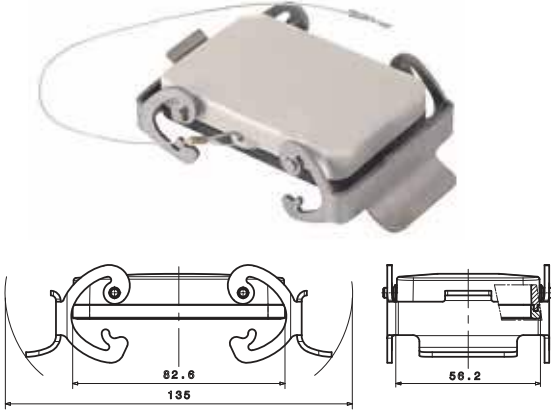
- Type: EMC for EMC applications up to 500V for S-A, S-D inserts
Tipo: EMC per applicazioni fino a 500V dove è richiesta la compatibilità elettromagnetica. Per inserti S-A, S-D
- With threaded fitting for IP66 and IP68 cable gland, part number "4"
 Con raccordo filettato per pressacavi IP66 e IP68, codice "4"
- Without threaded fitting recommended for IP68 cable glands, part no. "9"
 Senza raccordo filettato raccomandato per pressacavi IP68, codice "9"
- IP66 / IP69 protection degree
 Grado di protezione IP66 / IP69
- * Number of poles with S-A inserts
 Numero di poli con inserti S-A


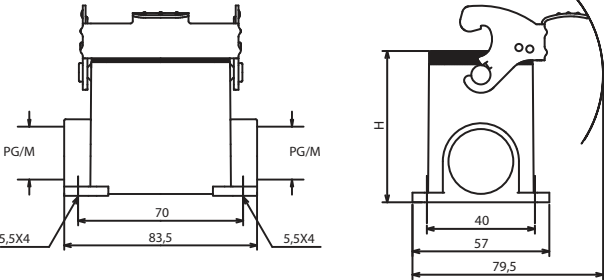
Covers with 2 pegs and gasket for housings with one lever Coperchi con 2 perni e guarnizione per custodie con una leva	Size Grandezza	No. of poles No. poli *	Part No. Codice																		
 <table border="1" data-bbox="252 638 826 779"> <thead> <tr> <th>Size Grandezza</th> <th>A</th> <th>B</th> <th>C</th> </tr> </thead> <tbody> <tr> <td>10A «49x16»</td> <td>63</td> <td>29,6</td> <td>16</td> </tr> <tr> <td>16A «66x16»</td> <td>79,5</td> <td>29,6</td> <td>16</td> </tr> </tbody> </table> <p data-bbox="167 828 718 873">  NEMA Type 4/4x/12 </p> <ul data-bbox="119 884 957 1097" style="list-style-type: none"> - Type: EMC for EMC applications with inserts up to 500V for housings with 1 lever <i>Tipo: EMC per applicazioni dove è richiesta la compatibilità elettromagnetica per inserti fino a 500V per custodie con 1 leva</i> - IP66 / IP69 protection degree <i>Grado di protezione IP66 / IP69</i> * Number of poles with S-A inserts <i>Numero di poli con inserti S-A</i> 	Size Grandezza	A	B	C	10A «49x16»	63	29,6	16	16A «66x16»	79,5	29,6	16	10A «49x16» 16A «66x16»	10 16	7810.4591.4 7816.4592.4						
Size Grandezza	A	B	C																		
10A «49x16»	63	29,6	16																		
16A «66x16»	79,5	29,6	16																		
Covers with one lever for hoods with 2 pegs Coperchi con una leva per custodie mobili con 2 perni	Size Grandezza	No. of poles No. poli *	Part No. Codice																		
 <table border="1" data-bbox="279 1624 829 1758"> <thead> <tr> <th>Size Grandezza</th> <th>A</th> <th>B</th> <th>C</th> <th>D</th> <th>E</th> </tr> </thead> <tbody> <tr> <td>10A «49x16»</td> <td>63</td> <td>29,6</td> <td>15</td> <td>73</td> <td>54</td> </tr> <tr> <td>16A «66x16»</td> <td>79,5</td> <td>29,6</td> <td>15</td> <td>90</td> <td>54</td> </tr> </tbody> </table> <p data-bbox="167 1780 726 1825">  NEMA Type 4/4x/12 </p> <ul data-bbox="119 1836 965 2049" style="list-style-type: none"> - Type: EMC for EMC applications with inserts up to 500V for hoods with 2 pegs <i>Tipo: EMC per applicazioni dove è richiesta la compatibilità elettromagnetica per inserti fino a 500V per custodie con 2 perni.</i> - IP66 / IP69 protection degree <i>Grado di protezione IP66 / IP69</i> * Number of poles with S-A inserts <i>Numero di poli con inserti S-A</i> 	Size Grandezza	A	B	C	D	E	10A «49x16»	63	29,6	15	73	54	16A «66x16»	79,5	29,6	15	90	54	10A «49x16» 16A «66x16»	10 16	7810.4594.4 7816.4595.4
Size Grandezza	A	B	C	D	E																
10A «49x16»	63	29,6	15	73	54																
16A «66x16»	79,5	29,6	15	90	54																

Surface mounting housings with 2 levers, size 32A «66x40» Custodie da parete con 2 leve, grandezza 32A «66x40»	Thread Filettatura	No. of poles No. poli	Part No. Codice
 <p>  CE (RoHS) (UL US) NEMA Type 4/4x/12 </p> <ul style="list-style-type: none"> - Type: EMC for EMC applications up to 500V for S-A, S-D inserts <i>Tipo: EMC per applicazioni fino a 500V dove è richiesta la compatibilità elettromagnetica. Per inserti S-A, S-D</i> - IP66 / IP69 protection degree <i>Grado di protezione IP66 / IP69</i> * Number of poles with S-A inserts <i>Numero di poli con inserti S-A</i> 	<p>M 25X2</p> <p>M 32X2</p> <p>M 40X2</p> <p>Pg 21X2</p> <p>Pg 29X2</p>	<p>32</p> <p>32</p> <p>32</p> <p>32</p> <p>32</p>	<p>7832.4601.4</p> <p>7832.4603.4</p> <p>7832.4605.4</p> <p>7832.4607.4</p> <p>7832.4609.4</p>
Bulkhead mounting housings with 2 levers, size 32A «66x40» Custodie da incasso con 2 leve, grandezza 32A «66x40»	No. of poles No. poli		Part No. Codice
 <p>  CE (RoHS) (UL US) NEMA Type 4/4x/12 </p> <ul style="list-style-type: none"> - Type: EMC for EMC applications up to 500V for S-A, S-D inserts <i>Tipo: EMC per applicazioni fino a 500V dove è richiesta la compatibilità elettromagnetica. Per inserti S-A, S-D</i> - IP66 / IP69 protection degree, with locking levers only <i>Grado di protezione IP66 / IP69, solo con leve di chiusura</i> * Number of poles with S-A inserts <i>Numero di poli con inserti S-A</i> 	<p>32</p> <p>32</p>		<p>7832.4631.4</p> <p>7832.4633.4</p> <p>Reversed with 4 pegs and cover <i>Rovesciato con 4 perni e coperchio</i></p> <p>Remarks: The enclosures assure an IP66/ IP69 degree of protection when coupled and blocked by the levers. The cover only provides mechanical protection and does not assure an IP degree of protection. Avvertenza: <i>Le custodie garantiscono il grado di protezione IP66/IP69 quando sono accoppiate e bloccate tramite le leve di chiusura.</i> <i>Il coperchio determina solo una protezione meccanica senza assicurare il grado di protezione IP.</i></p>


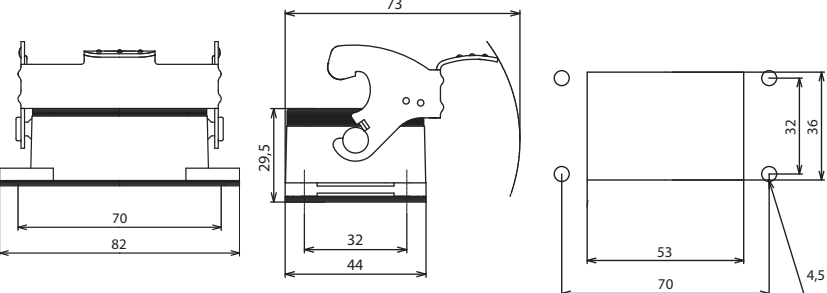
Hoods top entry with 4 pegs for 2 levers, size 32A «66x40» Custodie con ingresso verticale con 4 perni per 2 leve, grandezza 32A «66x40»		Thread Filettatura	No. of poles No. poli *	Part No. Codice										
With threaded fitting part No. "4" Con raccordo filettato cod. "4"	Without threaded fitting part No. "9" Senza raccordo filettato cod. "9"			With threaded fitting Con raccordo filettato										
		M 25	32	7832.4641.4										
		M 32	32	7832.4642.4										
		Pg 21	32	7832.4643.4										
		Pg 29	32	7832.4644.4										
<p>HC - High construction HC - Costruzione alta</p>  <table border="1" data-bbox="718 974 933 1198"> <thead> <tr> <th>Thread Filettatura</th> <th>A</th> </tr> </thead> <tbody> <tr> <td>M 25</td> <td>13</td> </tr> <tr> <td>M 32</td> <td>14,5</td> </tr> <tr> <td>Pg21</td> <td>13</td> </tr> <tr> <td>Pg29</td> <td>14,5</td> </tr> </tbody> </table>		Thread Filettatura	A	M 25	13	M 32	14,5	Pg21	13	Pg29	14,5			Without threaded fitting Senza raccordo filettato
Thread Filettatura	A													
M 25	13													
M 32	14,5													
Pg21	13													
Pg29	14,5													
		M 25	32	7832.4641.9										
		M 32	32	7832.4642.9										
		Pg 21	32	7832.4643.9										
		Pg 29	32	7832.4644.9										
 <p>CE (RoHS) (UL US) NEMA Type 4/4x/12</p>														
<p>- Type: EMC for EMC applications up to 500V for S-A, S-D inserts Tipo: EMC per applicazioni fino a 500V dove è richiesta la compatibilità elettromagnetica. Per inserti S-A, S-D</p> <p>- With threaded fitting for IP66 and IP68 cable gland, part number "4" Con raccordo filettato per pressacavi IP66 e IP68, codice "4"</p> <p>- Without threaded fitting recommended for IP68 cable glands, part no. "9" Senza raccordo filettato raccomandato per pressacavi IP68, codice "9"</p> <p>- IP66 / IP69 protection degree Grado di protezione IP66 / IP69</p> <p>* Number of poles with S-A inserts Numero di poli con inserti S-A</p>														

Hoods side entry with 4 pegs for 2 levers , size 32A «66x40» Custodie con ingresso orizzontale con 4 perni per 2 leve, grandezza 32A «66x40»	Thread Filettatura	No. of poles No. poli *	Part No. Codice
<p>LC - Low construction LC - Costruzione bassa</p> 	<p>M 25 M 32 Pg 21</p>	<p>32 32 32</p>	<p>7832.4647.4 7832.4648.4 7832.4649.4</p>
<p>HC - High construction HC - Costruzione alta</p> 	<p>M 25 M 32 Pg 21 Pg 29</p>	<p>32 32 32 32</p>	<p>With threaded fitting Con raccordo filettato</p> <p>7832.4651.4 7832.4652.4 7832.4653.4 7832.4654.4</p>
 <p>CE (RoHS) (C UL US) NEMA Type 4/4x/12</p> <ul style="list-style-type: none"> - Type: EMC for EMC applications up to 500V for S-A, S-D inserts Tipo: EMC per applicazioni fino a 500V dove è richiesta la compatibilità elettromagnetica. Per inserti S-A, S-D - With threaded fitting for IP66 and IP68 cable gland, part number "4" Con raccordo filettato per pressacavi IP66 e IP68, codice "4" - Without threaded fitting recommended for IP68 cable glands, part no. "9" Senza raccordo filettato raccomandato per pressacavi IP68, codice "9" - IP66 / IP69 protection degree Grado di protezione IP66 / IP69 <p>* Number of poles with S-A inserts Numero di poli con inserti S-A</p>	<p>M 25 M 32 Pg 21 Pg 29</p>	<p>32 32 32 32</p>	<p>Without threaded fitting Senza raccordo filettato</p> <p>7832.4651.9 7832.4652.9 7832.4653.9 7832.4654.9</p>


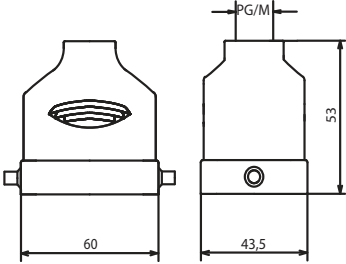

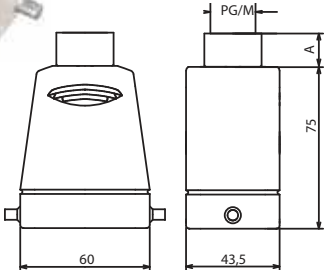

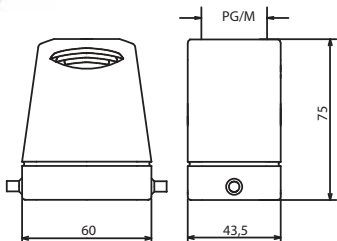
Covers with 4 pegs, size 32A «66x40» Coperchi con 4 perni, grandezza 32A «66x40»	No. of poles No. poli *	Part No. Codice
<p>- With 4 pegs without gasket for double locking system. Con 4 perni senza guarnizione per sistema di chiusura a doppia leva</p>  <p>CE (RoHS) (C UL US) NEMA Type 4/4x/12</p> <p>- Type: EMC for EMC applications with inserts up to 500V for housings with 2 Levers Tipo: EMC per applicazioni dove è richiesta la compatibilità elettromagnetica per inserti fino a 500V per custodie con 2 leve</p> <p>- IP66 / IP69 protection degree Grado di protezione IP66 / IP69</p>	<p>32</p>	<p>7832.4671.4</p>
Covers with 2 levers, size 32A «66x40» Coperchi con 2 leve, grandezza 32A «66x40»	No. of poles No. poli *	Part No. Codice
<p>- With 2 levers and gasket for double locking system. Con 2 leve e guarnizione per sistema di chiusura a doppia leva</p>  <p>CE (RoHS) (C UL US) NEMA Type 4/4x/12</p> <p>- Type: EMC for EMC applications with inserts up to 500V for housings with 4 pegs Tipo: EMC per applicazioni dove è richiesta la compatibilità elettromagnetica per inserti fino a 500V per custodie con 4 perni</p> <p>- IP66 / IP69 protection degree Grado di protezione IP66 / IP69</p> <p>* Number of poles with S-A inserts Numero di poli con inserti S-A</p>	<p>32</p>	<p>7832.4672.4</p>


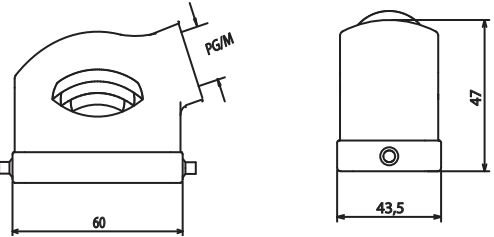


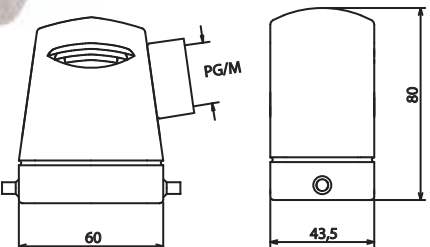
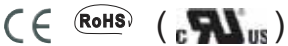

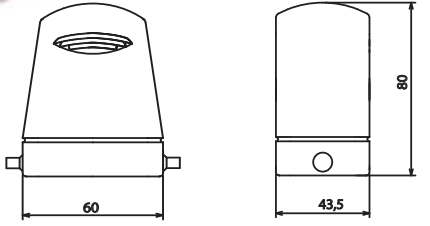
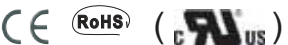
Surface mounting housings - IP66 Custodie da parete - IP66	Type Tipo	Thread Filettatura	No. of poles No. poli *	Part No. Codice						
<p>LC - Low construction LC - Costruzione bassa</p> <p>HC - High construction HC - Costruzione alta</p>  <p>IP66/IP69 protection degree Grado di protezione IP66/IP69</p> <table border="1" data-bbox="300 696 608 831"> <tr> <td>Type Tipo</td> <td>H</td> </tr> <tr> <td>LC</td> <td>63</td> </tr> <tr> <td>HC</td> <td>79,5</td> </tr> </table> 	Type Tipo	H	LC	63	HC	79,5	L.C.	M 20	6	7806.6351.4
	Type Tipo	H								
	LC	63								
	HC	79,5								
	L.C.	M 20x2	6	7806.6352.4						
	L.C.	Pg 16	6	7806.6301.4						
	L.C.	Pg 16x2	6	7806.6302.4						
	H.C.	M 25x2	6	7806.7150.4						
	H.C.	M 32	6	7806.7151.4						
	H.C.	M 32x2	6	7806.7152.4						
	H.C.	M 40	6	7806.7153.4						
	H.C.	M 40x2	6	7806.7154.4						
	H.C.	Pg 21	6	7806.7155.4						
	H.C.	Pg 21x2	6	7806.7156.4						
H.C.	Pg 29	6	7806.7157.4							
H.C.	Pg 29x2	6	7806.7158.4							

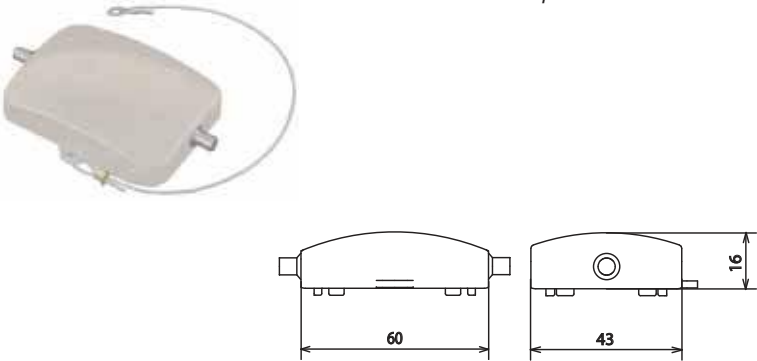
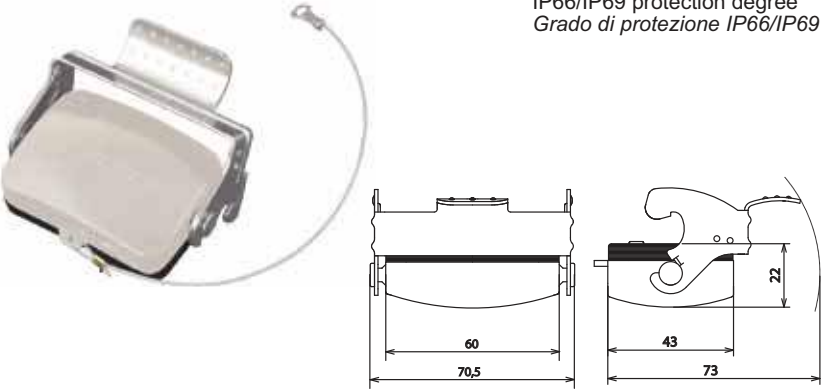
CE (RoHS) (cRUus) NEMA Type 4/4x/12
 Type: EMC for EMC applications and inserts up to 500V for series: S-DD, S-E, S-ES, S-EP, S-EE, S-M
 Tipo: EMC per applicazioni dove è richiesta la compatibilità elettromagnetica ed inserti fino a 500V serie: S-DD, S-E, S-ES, S-EP, S-EE, S-M
 1 or 2 entries * Number of poles with S-E inserts
 1 o 2 ingressi Numero di poli con inserti S-E


Bulkhead mounting housings - IP66 Custodie da incasso - IP66	Size Grandezza	No. of poles No. poli	Part No. Codice
<p>IP66/IP69 protection degree Grado di protezione IP66/IP69</p>   <p>CE (RoHS) (cRUus) NEMA Type 4/4x/12</p>	6B «44 x 27»	6	7806.6401.4
		With S-E inserts Con inserti S-E	

Type: EMC for EMC applications and inserts up to 500V for series: S-DD, S-E, S-ES, S-EP, S-EE, S-M
 Tipo: EMC per applicazioni dove è richiesta la compatibilità elettromagnetica ed inserti fino a 500V serie: S-DD, S-E, S-ES, S-EP, S-EE, S-M

Hoods top entry with 2 pegs for one lever Custodie ingresso verticale con 2 perni per una leva	Size Grandezza	Thread Filettatura	No. of poles No. poli	Part No. Codice										
 <p>IP66/IP69 protection degree Grado di protezione IP66/IP69</p> 	6B «44 x 27» 6B «44 x 27» 6B «44 x 27» 6B «44 x 27»	M 20 M 25 Pg 13.5 Pg 16	6 6 6 6	7806.6553.4 7806.6554.4 7806.6503.4 7806.6504.4										
<p>CE (RoHS) (cULUS) NEMA Type 4/4x/12</p> <p>Type: EMC for EMC applications and inserts up to 500V for series: S-DD, S-E, S-ES, S-EP, S-EE, S-M Tipo: EMC per applicazioni dove è richiesta la compatibilità elettromagnetica ed inserti fino a 500V serie: S-DD, S-E, S-ES, S-EP, S-EE, S-M</p> <p>For IP66 and IP68 cable glands Per pressacavi IP66 e IP68</p>														
 <p>IP66/IP69 protection degree Grado di protezione IP66/IP69</p> <table border="1" data-bbox="587 972 794 1178"> <thead> <tr> <th>Thread Filettatura</th> <th>A</th> </tr> </thead> <tbody> <tr> <td>M 25</td> <td>15</td> </tr> <tr> <td>M 32</td> <td>16,5</td> </tr> <tr> <td>Pg21</td> <td>15</td> </tr> <tr> <td>Pg29</td> <td>16,5</td> </tr> </tbody> </table> 	Thread Filettatura	A	M 25	15	M 32	16,5	Pg21	15	Pg29	16,5	6B «44 x 27» 6B «44 x 27» 6B «44 x 27» 6B «44 x 27»	M 25 M 32 Pg 21 Pg 29	6 6 6 6	7806.6449.4 7806.6450.4 7806.6427.4 7806.6428.4
Thread Filettatura	A													
M 25	15													
M 32	16,5													
Pg21	15													
Pg29	16,5													
<p>CE (RoHS) (cULUS) NEMA Type 4/4x/12</p> <p>Type: EMC for EMC applications and inserts up to 500V for series: S-DD, S-E, S-ES, S-EP, S-EE, S-M Tipo: EMC per applicazioni dove è richiesta la compatibilità elettromagnetica ed inserti fino a 500V serie: S-DD, S-E, S-ES, S-EP, S-EE, S-M</p> <p>HC - High Construction with threaded fitting for IP66 and IP68 cable glands HC - Costruzione alta con raccordo filettato per pressacavi IP66 e IP68</p>														
 <p>IP66/IP69 protection degree Grado di protezione IP66/IP69</p> 	6B «44 x 27» 6B «44 x 27» 6B «44 x 27» 6B «44 x 27» 6B «44 x 27»	M 25 M 32 Pg 21 Pg 29 Without cable entry Senza ingresso cavo	6 6 6 6 6	7806.6449.9 7806.6450.9 7806.6427.9 7806.6428.9 7806.6941.4										
<p>CE (RoHS) (cULUS) NEMA Type 4/4x/12</p> <p>Type: EMC for EMC applications and inserts up to 500V for series: S-DD, S-E, S-ES, S-EP, S-EE, S-M Tipo: EMC per applicazioni dove è richiesta la compatibilità elettromagnetica ed inserti fino a 500V serie: S-DD, S-E, S-ES, S-EP, S-EE, S-M</p> <p>HC - High Construction without threaded fitting for IP68 cable glands HC - Costruzione alta senza raccordo filettato per pressacavi IP68</p>														

Hoods side entry with 2 pegs for one lever <i>Custodie ingresso orizzontale con 2 perni per una leva</i>	Size <i>Grandezza</i>	Thread <i>Filettatura</i>	No. of poles <i>No. poli *</i>	Part No. <i>Codice</i>
 <p>IP66/IP69 protection degree <i>Grado di protezione IP66/IP69</i></p> 	6B «44 x 27» 6B «44 x 27» 6B «44 x 27» 6B «44 x 27»	M 20 M 25 Pg 13.5 Pg 16	6 6 6 6	7806.6551.4 7806.6552.4 7806.6501.4 7806.6502.4
 <p>NEMA Type 4/4x/12</p> <p>Type: EMC for EMC applications and inserts up to 500V for series: S-DD, S-E, S-ES, S-EP, S-EE, S-M <i>Tipo: EMC per applicazioni dove è richiesta la compatibilità elettromagnetica ed inserti fino a 500V serie: S-DD, S-E, S-ES, S-EP, S-EE, S-M</i></p> <p>For IP66 and IP68 cable glands <i>Per pressacavi IP66 e IP68</i></p>				
 <p>IP66/IP69 protection degree <i>Grado di protezione IP66/IP69</i></p> 	6B «44 x 27» 6B «44 x 27» 6B «44 x 27» 6B «44 x 27»	M 25 M 32 Pg 21 Pg 29	6 6 6 6	7806.6491.4 7806.6492.4 7806.6477.4 7806.6478.4
 <p>NEMA Type 4/4x/12</p> <p>Type: EMC for EMC applications and inserts up to 500V for series: S-DD, S-E, S-ES, S-EP, S-EE, S-M <i>Tipo: EMC per applicazioni dove è richiesta la compatibilità elettromagnetica ed inserti fino a 500V serie: S-DD, S-E, S-ES, S-EP, S-EE, S-M</i></p> <p>HC - High Construction with threaded fitting for IP66 and IP68 cable glands <i>HC - Costruzione alta con raccordo filettato per pressacavi IP66 e IP68</i></p>				
 <p>IP66/IP69 protection degree <i>Grado di protezione IP66/IP69</i></p> 	6B «44 x 27» 6B «44 x 27» 6B «44 x 27» 6B «44 x 27»	M 25 M 32 Pg 21 Pg 29	6 6 6 6	7806.6491.9 7806.6492.9 7806.6477.9 7806.6478.9
 <p>NEMA Type 4/4x/12</p> <p>Type: EMC for EMC applications and inserts up to 500V for series: S-DD, S-E, S-ES, S-EP, S-EE, S-M <i>Tipo: EMC per applicazioni dove è richiesta la compatibilità elettromagnetica ed inserti fino a 500V serie: S-DD, S-E, S-ES, S-EP, S-EE, S-M</i></p> <p>HC - High Construction without threaded fitting for IP68 cable glands <i>HC - Costruzione alta senza raccordo filettato per pressacavi IP68</i></p>				


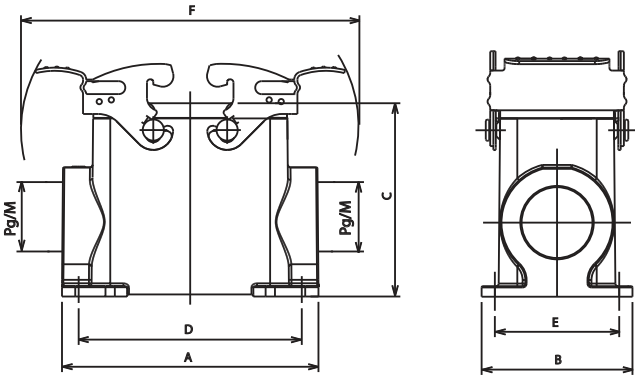
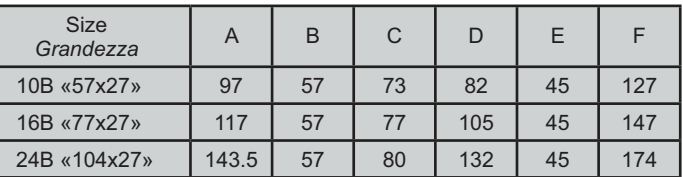
Cover with 2 pegs Coperchio con 2 perni	Thread Filettatura	No. of poles No. poli *	Part No. Codice
 <p>IP66/IP69 protection degree Grado di protezione IP66/IP69</p> <p>CE (RoHS) (C UL US) NEMA Type 4/4x/12</p>	6B «44 x 27»	6 With S-E inserts Con inserti S-E	7806.6813.4
<p>Type: EMC for EMC applications and inserts up to 500V for housings with 1 lever. Tipo: EMC per applicazioni dove è richiesta la compatibilità elettromagnetica ed inserti fino a 500V per custodie con 1 leva.</p>			
Cover with one lever and gasket Coperchio con una leva e guarnizione	Size Grandezza	No. of poles No. poli *	Part No. Codice
 <p>IP66/IP69 protection degree Grado di protezione IP66/IP69</p> <p>CE (RoHS) (C UL US) NEMA Type 4/4x/12</p>	6B «44 x 27»	6 With S-E inserts Con inserti S-E	7806.6818.4
<p>Type: EMC for EMC applications and inserts up to 500V for hoods with 2 pegs. Tipo: EMC per applicazioni dove è richiesta la compatibilità elettromagnetica ed inserti fino a 500V per custodie mobili con 2 perni.</p>			

Surface mounting housings Custodie da parete	Size Grandezza	Thread Filettatura	No. of poles No. poli *	Part No. Codice
	10B «57x27»	M 20	10	7810.6372.4
	10B «57x27»	M 20X2	10	7810.6373.4
	10B «57x27»	Pg 16	10	7810.6322.4
	10B «57x27»	Pg 16X2	10	7810.6323.4
	16B «77x27»	M 25	16	7816.6374.4
	16B «77x27»	M 25X2	16	7816.6375.4
	16B «77x27»	Pg 21	16	7816.6324.4
	16B «77x27»	Pg 21X2	16	7816.6325.4
	24B «104x27»	M 25	24	7824.6376.4
	24B «104x27»	M 25X2	24	7824.6377.4
	24B «104x27»	Pg 21	24	7824.6326.4
	24B «104x27»	Pg 21X2	24	7824.6327.4

Size Grandezza	A	B	C	D	E	F
10B «57x27»	97	57	57	82	40	127
16B «77x27»	117	57	63	105	45	147
24B «104x27»	143.5	57	63	132	45	174


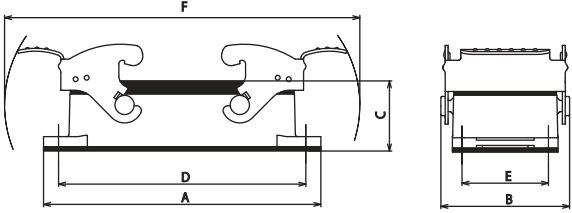
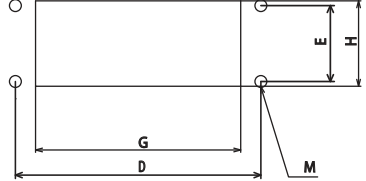
CE (RoHS) (C 90 US) NEMA Type 4/4x/12

- Type: EMC for EMC applications and inserts up to 500V
series: S-D, S-DD, S-E, S-ES, S-EP, S-EE, S-HSB, S-K, S-M
- Tipo: EMC per applicazioni dove è richiesta la compatibilità e elettromagnetica ed inserti fino a 500V serie S-D, S-DD, S-E, S-ES, S-EP, S-EE, S-HSB, S-K, S-M
- IP66 / IP69 protection degree
Grado di protezione IP66 / IP69
- 1 entry or 2 entries
1 o 2 ingressi
- * Number of poles with S-E inserts
Numero di poli con inserti S-E





Surface mounting housings Custodie da parete	Size Grandezza	Thread Filettatura	No. of poles No. poli *	Part No. Codice
	10B «57x27»	M 25	10	7810.7458.4
	10B «57x27»	M 25X2	10	7810.7459.4
	10B «57x27»	M 32	10	7810.7460.4
	10B «57x27»	M 32X2	10	7810.7461.4
	10B «57x27»	M 40	10	7810.7462.4
	10B «57x27»	M 40X2	10	7810.7463.4
	10B «57x27»	Pg 21	10	7810.7464.4
	10B «57x27»	Pg 21X2	10	7810.7465.4
	10B «57x27»	Pg 29	10	7810.7466.4
	10B «57x27»	Pg 29X2	10	7810.7467.4
<p>HC - High Construction HC - Costruzione alta</p> 	16B «77x27»	M 25X2	16	7816.7468.4
	16B «77x27»	M 32	16	7816.7469.4
	16B «77x27»	M 32X2	16	7816.7470.4
	16B «77x27»	M 40	16	7816.7471.4
	16B «77x27»	M 40X2	16	7816.7472.4
	16B «77x27»	Pg 21	16	7816.7473.4
	16B «77x27»	Pg 21X2	16	7816.7474.4
	16B «77x27»	Pg 29	16	7816.7475.4
	16B «77x27»	Pg 29X2	16	7816.7476.4
		24B «104x27»	M 32	24
24B «104x27»		M 32X2	24	7824.7479.4
24B «104x27»		M 40	24	7824.7480.4
24B «104x27»		M 40X2	24	7824.7481.4
24B «104x27»		Pg 21	24	7824.7482.4
24B «104x27»		Pg 21X2	24	7824.7483.4
24B «104x27»		Pg 29	24	7824.7484.4
24B «104x27»		Pg 29X2	24	7824.7485.4

CE (RoHS) (c UL US) NEMA Type 4/4x/12

- Type: EMC for EMC applications and inserts up to 500V series: S-D, S-DD, S-E, S-ES, S-EP, S-EE, S-HSB, S-K, S-M
- Tipo: EMC per applicazioni dove è richiesta la compatibilità e elettromagnetica ed inserti fino a 500V serie S-D, S-DD, S-E, S-ES, S-EP, S-EE, S-HSB, S-K, S-M
- IP66 / IP69 protection degree
Grado di protezione IP66 / IP69
- 1 entry or 2 entries
1 o 2 ingressi
- * Number of poles with S-E inserts
Numero di poli con inserti S-E


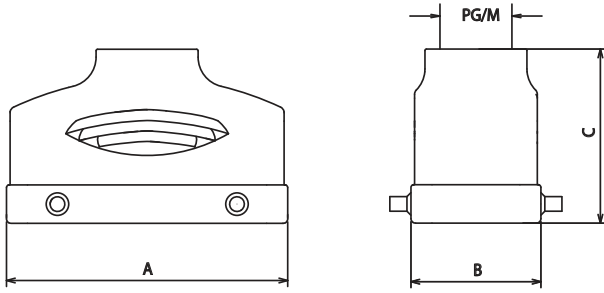




Surface mounting housings Custodie da parete	Size Grandezza	No. of poles No. poli *	Part No. Codice
   Panel cut out Foratura del pannello	10B «57x27»	10	7810.6412.4
	16B «77x27»	16	7816.6413.4
	24B «104x27»	24	7824.6414.4


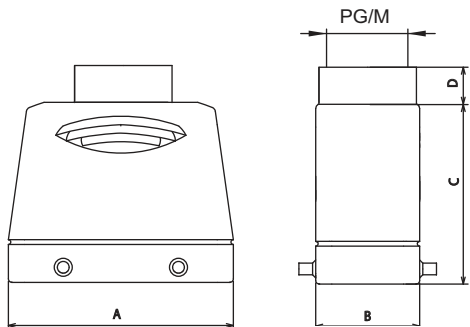
Size Grandezza	A	B	C	D	E	F	G	H	M
10B «57x27»	95.5	53.5	29.5	83	32	127	66.5	36	4.5
16B «77x27»	115.5	53.5	29.5	103	32	147	86.5	36	4.5
24B «104x27»	142.5	53.5	29.5	130	32	174	113	36	4.5


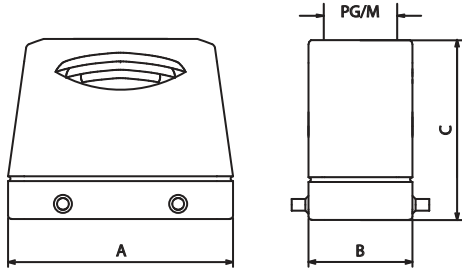




 Type 4/4x/12

- Type: EMC for EMC applications and inserts up to 500V series: S-D, S-DD, S-E, S-ES, S-EP, S-EE, S-HSB, S-K, S-M
- Tipo: EMC per applicazioni dove è richiesta la compatibilità e elettromagnetica ed inserti fino a 500V serie S-D, S-DD, S-E, S-ES, S-EP, S-EE, S-HSB, S-K, S-M
- IP66 / IP69 protection degree
 Grado di protezione IP66 / IP69

* Number of poles with S-E inserts
 Numero di poli con inserti S-E

Hoods top entry with 4 pegs for two levers Custodie ingresso verticale con 4 perni per due leve	Size Grandezza	Thread Filettatura	No. of poles No. poli *	Part No. Codice																
	10B «57x27»	M 20	10	7810.6570.4																
	10B «57x27»	M 25	10	7810.6595.4																
	10B «57x27»	Pg 16	10	7810.6520.4																
	16B «77x27»	M 25	16	7816.6572.4																
	16B «77x27»	M 32	16	7816.6921.4																
	16B «77x27»	Pg 21	16	7816.6522.4																
	24B «104x27»	M 25	24	7824.6574.4																
	24B «104x27»	M 32	24	7824.6926.4																
	24B «104x27»	Pg 21	24	7824.6524.4																
	24B «104x27»	Pg 29	24	7824.6543.4																
																				
	<table border="1"> <thead> <tr> <th>Size Grandezza</th> <th>A</th> <th>B</th> <th>C</th> </tr> </thead> <tbody> <tr> <td>10B «57x27»</td> <td>73.5</td> <td>43.5</td> <td>58</td> </tr> <tr> <td>16B «77x27»</td> <td>94</td> <td>43.5</td> <td>58</td> </tr> <tr> <td>24B «104x27»</td> <td>120.5</td> <td>43.5</td> <td>68</td> </tr> </tbody> </table>					Size Grandezza	A	B	C	10B «57x27»	73.5	43.5	58	16B «77x27»	94	43.5	58	24B «104x27»	120.5	43.5
Size Grandezza	A	B	C																	
10B «57x27»	73.5	43.5	58																	
16B «77x27»	94	43.5	58																	
24B «104x27»	120.5	43.5	68																	
<p>     Type 4/4x/12 </p> <ul style="list-style-type: none"> - Type: EMC for EMC applications and inserts up to 500V series: S-D, S-DD, S-E, S-ES, S-EP, S-EE, S-HSB, S-K, S-M - Tipo: EMC per applicazioni dove è richiesta la compatibilità e elettromagnetica ed inserti fino a 500V serie S-D, S-DD, S-E, S-ES, S-EP, S-EE, S-HSB, S-K, S-M - IP66 / IP69 protection degree Grado di protezione IP66 / IP69 - For IP66 and IP68 cable glands Per pressacavi IP66 e IP68 <p>* Number of poles with S-E inserts Numero di poli con inserti S-E</p>																				


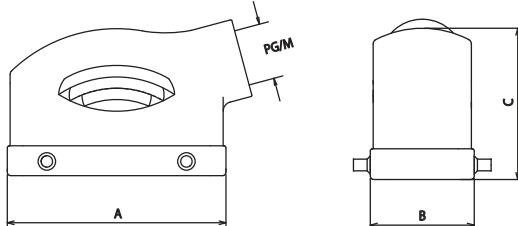
Hoods top entry with 4 pegs for two levers Custodie ingresso verticale con 4 perni per due leve	Size Grandezza	Thread Filettatura	No. of poles No. poli *	Part No. Codice																										
 <p>HC - High Construction HC - Costruzione alta</p>  <table border="1" data-bbox="311 1243 710 1355"> <thead> <tr> <th>Thread Filettatura</th> <th>M32</th> <th>M40</th> <th>Pg21</th> <th>Pg29</th> </tr> </thead> <tbody> <tr> <td>D</td> <td>16,5</td> <td>19,5</td> <td>15</td> <td>16,5</td> </tr> </tbody> </table> <table border="1" data-bbox="215 1388 805 1556"> <thead> <tr> <th>Size Grandezza</th> <th>A</th> <th>B</th> <th>C</th> </tr> </thead> <tbody> <tr> <td>10B «57x27»</td> <td>73.5</td> <td>43.5</td> <td>*75,5</td> </tr> <tr> <td>16B «77x27»</td> <td>94</td> <td>43.5</td> <td>*75,5</td> </tr> <tr> <td>24B «104x27»</td> <td>120.5</td> <td>43.5</td> <td>*75,5</td> </tr> </tbody> </table> <div data-bbox="151 1579 869 1668" style="border: 1px solid black; padding: 5px;"> <p>*For threads M40 and Pg29 C = 81 with hoods LS (Large Shape) type *Per filettature M40 e Pg29 C = 81 con custodie tipo LS</p> </div>	Thread Filettatura	M32	M40	Pg21	Pg29	D	16,5	19,5	15	16,5	Size Grandezza	A	B	C	10B «57x27»	73.5	43.5	*75,5	16B «77x27»	94	43.5	*75,5	24B «104x27»	120.5	43.5	*75,5	10B «57x27»	M 32	10	7810.6443.4
	Thread Filettatura	M32	M40	Pg21	Pg29																									
	D	16,5	19,5	15	16,5																									
	Size Grandezza	A	B	C																										
	10B «57x27»	73.5	43.5	*75,5																										
	16B «77x27»	94	43.5	*75,5																										
	24B «104x27»	120.5	43.5	*75,5																										
	10B «57x27»	M 40	10	7810.6444.4																										
	10B «57x27»	Pg 21	10	7810.6421.4																										
	10B «57x27»	Pg 29	10	7810.6422.4																										
	16B «77x27»	M 32	16	7816.6445.4																										
	16B «77x27»	M 40	16	7816.6446.4																										
	16B «77x27»	Pg 21	16	7816.6423.4																										
	16B «77x27»	Pg 29	16	7816.6424.4																										
	24B «104x27»	M 32	24	7824.6447.4																										
	24B «104x27»	M 40	24	7824.6448.4																										
24B «104x27»	Pg 21	24	7824.6425.4																											
24B «104x27»	Pg 29	24	7824.6426.4																											

Hoods top entry with 4 pegs for two levers Custodie ingresso verticale con 4 perni per due leve	Size Grandezza	Thread Filettatura	No. of poles No. poli *	Part No. Codice																
 <p>HC - High Construction for IP68 cable glands HC - Costruzione alta per pressacavi IP68</p>  <table border="1" data-bbox="215 1388 805 1568"> <thead> <tr> <th>Size Grandezza</th> <th>A</th> <th>B</th> <th>C</th> </tr> </thead> <tbody> <tr> <td>10B «57x27»</td> <td>73.5</td> <td>43.5</td> <td>*75,5</td> </tr> <tr> <td>16B «77x27»</td> <td>94</td> <td>43.5</td> <td>*75,5</td> </tr> <tr> <td>24B «104x27»</td> <td>120.5</td> <td>43.5</td> <td>*75,5</td> </tr> </tbody> </table>	Size Grandezza	A	B	C	10B «57x27»	73.5	43.5	*75,5	16B «77x27»	94	43.5	*75,5	24B «104x27»	120.5	43.5	*75,5	10B «57x27»	M 32	10	7810.6443.9
	Size Grandezza	A	B	C																
	10B «57x27»	73.5	43.5	*75,5																
	16B «77x27»	94	43.5	*75,5																
	24B «104x27»	120.5	43.5	*75,5																
	10B «57x27»	M 40	10	7810.6444.9																
	10B «57x27»	Pg 21	10	7810.6421.9																
	10B «57x27»	Pg 29	10	7810.6422.9																
	16B «77x27»	M 32	16	7816.6445.9																
	16B «77x27»	M 40	16	7816.6446.9																
	16B «77x27»	Pg 21	16	7816.6423.9																
	16B «77x27»	Pg 29	16	7816.6424.9																
24B «104x27»	M 32	24	7824.6447.9																	
24B «104x27»	M 40	24	7824.6448.9																	
24B «104x27»	Pg 21	24	7824.6425.9																	
24B «104x27»	Pg 29	24	7824.6426.9																	

*For threads M40 and Pg29 C = 81 with hoods LS (Large Shape) type
 *Per filettature M40 e Pg29 C = 81 con custodie tipo LS

CE (RoHS) (cULus) NEMA Type 4/4x/12

- Type: EMC for EMC applications and inserts up to 500V series: S-D, S-DD, S-E, S-ES, S-EP, S-EE, S-HSB, S-K, S-M
- Tipo: EMC per applicazioni dove è richiesta la compatibilità e elettromagnetica ed inserti fino a 500V serie S-D, S-DD, S-E, S-ES, S-EP, S-EE, S-HSB, S-K, S-M
- IP66 / IP69 protection degree
 Grado di protezione IP66 / IP69
- Recommended type for IP68 cable glands
 Tipo raccomandato per pressacavi IP68
- * Number of poles with S-E inserts
 Numero di poli con inserti S-E

Hoods side entry with 4 pegs for two levers Custodie ingresso orizzontale con 4 perni per due leve	Size Grandezza	Thread Filettatura	No. of poles No. poli *	Part No. Codice																
	10B «57x27»	M 20	10	7810.6569.4																
	10B «57x27»	M 25	10	7810.6596.4																
	10B «57x27»	Pg 16	10	7810.6519.4																
	16B «77x27»	M 25	16	7816.6571.4																
	16B «77x27»	M 32	16	7816.6922.4																
	16B «77x27»	Pg 21	16	7816.6521.4																
	24B «104x27»	M 25	24	7824.6573.4																
	24B «104x27»	M 32	24	7824.6927.4																
	24B «104x27»	Pg 21	24	7824.6523.4																
	24B «104x27»	Pg 29	24	7824.6544.4																
																				
	<table border="1"> <thead> <tr> <th>Size Grandezza</th> <th>A</th> <th>B</th> <th>C</th> </tr> </thead> <tbody> <tr> <td>10B «57x27»</td> <td>73.5</td> <td>43.5</td> <td>52</td> </tr> <tr> <td>16B «77x27»</td> <td>94</td> <td>43.5</td> <td>63</td> </tr> <tr> <td>24B «104x27»</td> <td>120.5</td> <td>43.5</td> <td>63</td> </tr> </tbody> </table>					Size Grandezza	A	B	C	10B «57x27»	73.5	43.5	52	16B «77x27»	94	43.5	63	24B «104x27»	120.5	43.5
Size Grandezza	A	B	C																	
10B «57x27»	73.5	43.5	52																	
16B «77x27»	94	43.5	63																	
24B «104x27»	120.5	43.5	63																	

CE (RoHS) (C UL US) NEMA Type 4/4x/12

- Type: EMC for EMC applications and inserts up to 500V series: S-D, S-DD, S-E, S-ES, S-EP, S-EE, S-HSB, S-K, S-M
- Tipo: EMC per applicazioni dove è richiesta la compatibilità e elettromagnetica ed inserti fino a 500V serie S-D, S-DD, S-E, S-ES, S-EP, S-EE, S-HSB, S-K, S-M
- IP66 / IP69 protection degree
Grado di protezione IP66 / IP69
- For IP66 and IP68 cable glands
Per pressacavi IP66 e IP68

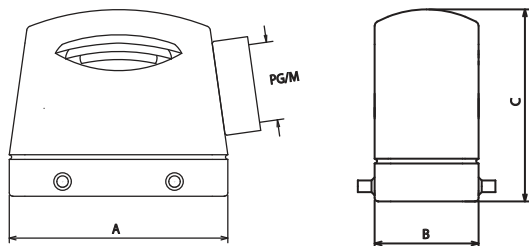
* Number of poles with S-E inserts
Numero di poli con inserti S-E

Hoods side entry with 4 pegs for two levers
Custodie ingresso orizzontale con 4 perni per due leve

Size Grandezza	Thread Filettatura	No. of poles No. poli *	Part No. Codice
10B «57x27»	M 32	10	7810.6485.4
10B «57x27»	M 40	10	7810.6486.4
10B «57x27»	Pg 21	10	7810.6471.4
10B «57x27»	Pg 29	10	7810.6472.4
16B «77x27»	M 32	16	7816.6487.4
16B «77x27»	M 40	16	7816.6488.4
16B «77x27»	Pg 21	16	7816.6473.4
16B «77x27»	Pg 29	16	7816.6474.4
24B «104x27»	M 32	24	7824.6489.4
24B «104x27»	M 40	24	7824.6490.4
24B «104x27»	Pg 21	24	7824.6475.4
24B «104x27»	Pg 29	24	7824.6476.4



HC - High Construction
HC - Costruzione alta




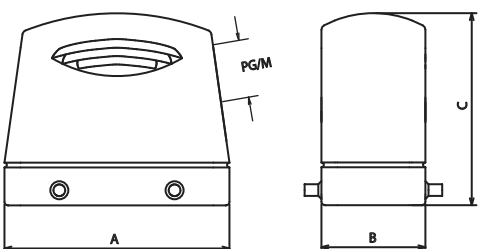
Size Grandezza	A	B	C
10B «57x27»	73.5	43.5	*80
16B «77x27»	94	43.5	*80
24B «104x27»	120.5	43.5	*80

*For threads M40 and Pg29 C = 81 with hoods LS (Large Shape) type
*Per filettature M40 e Pg29 C = 81 con custodie tipo LS

CE (RoHS) (CULUS) NEMA Type 4/4x/12


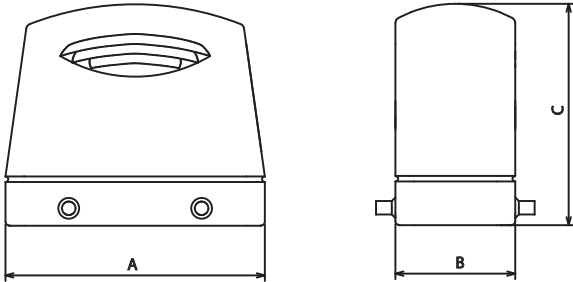
- Type: EMC for EMC applications and inserts up to 500V series: S-D, S-DD, S-E, S-ES, S-EP, S-EE, S-HSB, S-K, S-M
- Tipo: EMC per applicazioni dove è richiesta la compatibilità e elettromagnetica ed inserti fino a 500V serie S-D, S-DD, S-E, S-ES, S-EP, S-EE, S-HSB, S-K, S-M
- IP66 / IP69 protection degree
Grado di protezione IP66 / IP69
- For IP66 and IP68 cable glands
Per pressacavi IP66 e IP68

* Number of poles with S-E inserts
Numero di poli con inserti S-E

Hoods side entry with 4 pegs for two levers Custodie ingresso orizzontale con 4 perni per due leve	Size Grandezza	Thread Filettatura	No. of poles No. poli *	Part No. Codice																
 <p>HC - High Construction for IP68 cable glands HC - Costruzione alta per pressacavi IP68</p>  <table border="1" data-bbox="215 1276 805 1456"> <thead> <tr> <th>Size Grandezza</th> <th>A</th> <th>B</th> <th>C</th> </tr> </thead> <tbody> <tr> <td>10B «57x27»</td> <td>73.5</td> <td>43.5</td> <td>*80</td> </tr> <tr> <td>16B «77x27»</td> <td>94</td> <td>43.5</td> <td>*80</td> </tr> <tr> <td>24B «104x27»</td> <td>120.5</td> <td>43.5</td> <td>*80</td> </tr> </tbody> </table> <div data-bbox="159 1467 869 1534" style="border: 1px solid black; padding: 5px;"> <p>*For threads M40 and Pg29 C = 81 with hoods LS (Large Shape) type *Per filettature M40 e Pg29 C = 81 con custodie tipo LS</p> </div>	Size Grandezza	A	B	C	10B «57x27»	73.5	43.5	*80	16B «77x27»	94	43.5	*80	24B «104x27»	120.5	43.5	*80	10B «57x27»	M 32	10	7810.6485.9
	Size Grandezza	A	B	C																
	10B «57x27»	73.5	43.5	*80																
	16B «77x27»	94	43.5	*80																
	24B «104x27»	120.5	43.5	*80																
	10B «57x27»	M 40	10	7810.6486.9																
	10B «57x27»	Pg 21	10	7810.6471.9																
	10B «57x27»	Pg 29	10	7810.6472.9																
	16B «77x27»	M 32	16	7816.6487.9																
	16B «77x27»	M 40	16	7816.6488.9																
	16B «77x27»	Pg 21	16	7816.6473.9																
	16B «77x27»	Pg 29	16	7816.6474.9																
	24B «104x27»	M 32	24	7824.6489.9																
	24B «104x27»	M 40	24	7824.6490.9																
	24B «104x27»	Pg 21	24	7824.6475.9																
	24B «104x27»	Pg 29	24	7824.6476.9																

CE (RoHS) (C UL US) NEMA Type 4/4x/12

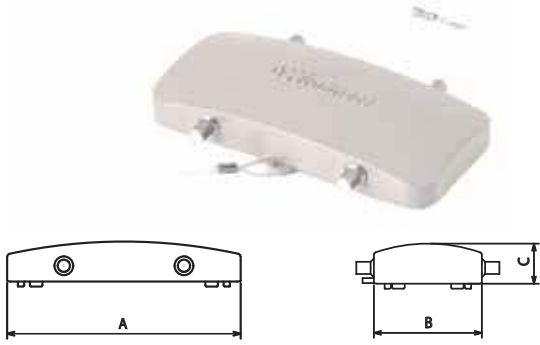

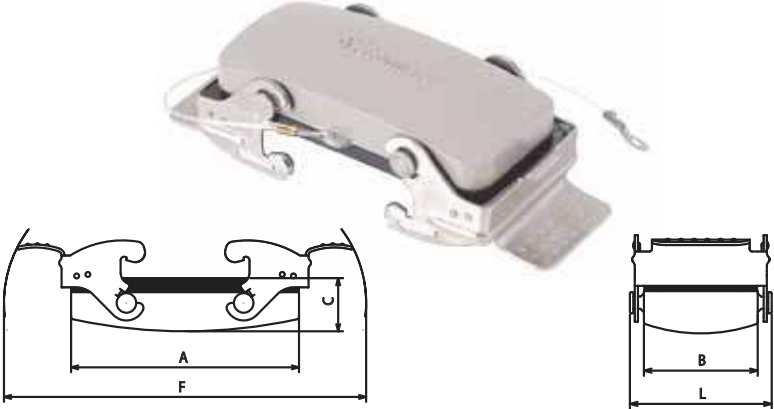

- Type: EMC for EMC applications and inserts up to 500V series: S-D, S-DD, S-E, S-ES, S-EP, S-EE, S-HSB, S-K, S-M
- Tipo: EMC per applicazioni dove è richiesta la compatibilità e elettromagnetica ed inserti fino a 500V serie S-D, S-DD, S-E, S-ES, S-EP, S-EE, S-HSB, S-K, S-M
- IP66 / IP69 protection degree
 Grado di protezione IP66 / IP69
- Recommended type for IP68 cable glands
 Tipo raccomandato per pressacavi IP68
- * Number of poles with S-E inserts
 Numero di poli con inserti S-E

Hoods without cable entry with 4 pegs for two levers Custodie senza ingresso cavo con 4 perni per due leve	Size Grandezza	No. of poles No. poli *	Part No. Codice																
 <p>HC - High Construction HC - Costruzione alta</p>  <table border="1" data-bbox="244 1283 828 1453"> <thead> <tr> <th>Size Grandezza</th> <th>A</th> <th>B</th> <th>C</th> </tr> </thead> <tbody> <tr> <td>10B «57x27»</td> <td>73.5</td> <td>43.5</td> <td>80</td> </tr> <tr> <td>16B «77x27»</td> <td>94</td> <td>43.5</td> <td>80</td> </tr> <tr> <td>24B «104x27»</td> <td>120.5</td> <td>43.5</td> <td>80</td> </tr> </tbody> </table>	Size Grandezza	A	B	C	10B «57x27»	73.5	43.5	80	16B «77x27»	94	43.5	80	24B «104x27»	120.5	43.5	80	10B «57x27» 16B «77x27» 24B «104x27»	10 16 24	7810.7012.4 7816.7022.4 7824.7034.4
	Size Grandezza	A	B	C															
	10B «57x27»	73.5	43.5	80															
16B «77x27»	94	43.5	80																
24B «104x27»	120.5	43.5	80																

CE (RoHS) (CULUS) NEMA Type 4/4x/12

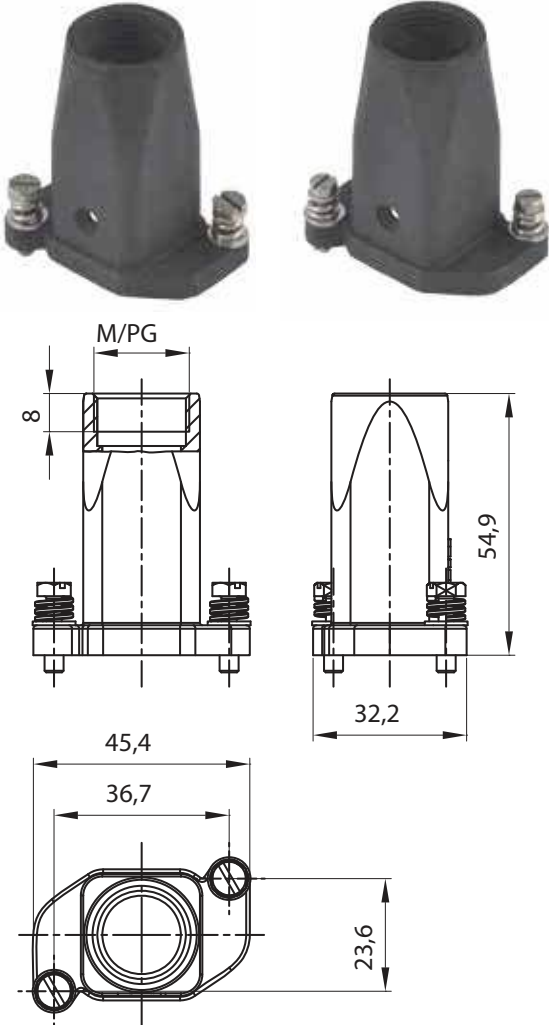
- Type: EMC for EMC applications and inserts up to 500V series: S-D, S-DD, S-E, S-ES, S-EP, S-EE, S-HSB, S-K, S-M
- Tipo: EMC per applicazioni dove è richiesta la compatibilità e elettromagnetica ed inserti fino a 500V serie S-D, S-DD, S-E, S-ES, S-EP, S-EE, S-HSB, S-K, S-M
- IP66 / IP69 protection degree
 Grado di protezione IP66 / IP69


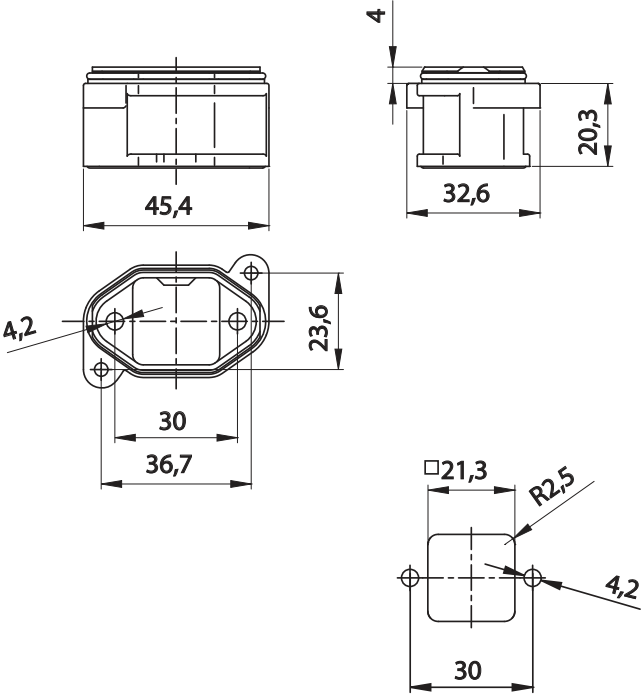
* Number of poles with S-E inserts
 Numero di poli con inserti S-E


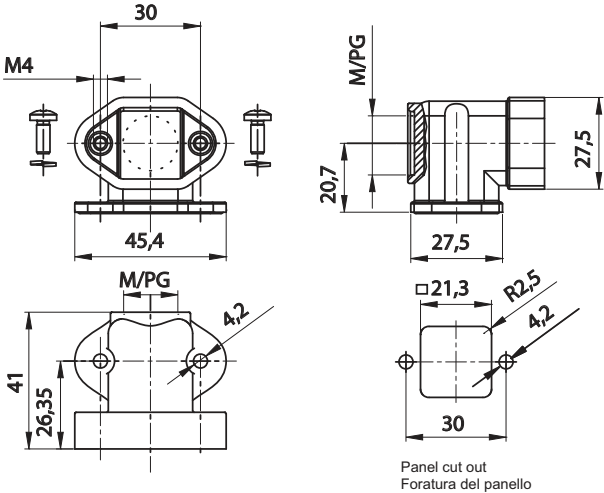
Covers with 4 pegs without gasket Coperchi con 4 perni senza guarnizione	Size Grandezza	No. of poles No. poli *	Part No. Codice																								
 <table border="1" data-bbox="247 723 831 898"> <thead> <tr> <th>Size Grandezza</th> <th>A</th> <th>B</th> <th>C</th> </tr> </thead> <tbody> <tr> <td>10B «57x27»</td> <td>73</td> <td>43</td> <td>16</td> </tr> <tr> <td>16B «77x27»</td> <td>94</td> <td>43</td> <td>16</td> </tr> <tr> <td>24B «104x27»</td> <td>120</td> <td>43</td> <td>17</td> </tr> </tbody> </table> <p data-bbox="119 920 670 965">  NEMA Type 4/4x/12 </p> <p data-bbox="119 981 957 1070"> - Type: EMC for EMC applications and inserts up to 500V. For hoods/housings EMC series with 2 levers - IP66 / IP69 protection degree Tipo: EMC per applicazioni dove è richiesta la compatibilità elettromagnetica ed inserti fino a 500V. Per custodie serie EMC con 2 leve - Grado di protezione IP66 / IP69 </p> <p data-bbox="119 1077 478 1131"> * Number of poles with S-E inserts Numero di poli con inserti S-E </p>	Size Grandezza	A	B	C	10B «57x27»	73	43	16	16B «77x27»	94	43	16	24B «104x27»	120	43	17	10B «57x27»	10	7810.6805.4								
	Size Grandezza	A	B	C																							
	10B «57x27»	73	43	16																							
	16B «77x27»	94	43	16																							
24B «104x27»	120	43	17																								
16B «77x27»	16	7816.6806.4																									
24B «104x27»	24	7824.6807.4																									
Covers with 2 levers and gasket Coperchi con 2 leve e guarnizione	Size Grandezza	No. of poles No. poli *	Part No. Codice																								
 <table border="1" data-bbox="228 1648 858 1823"> <thead> <tr> <th>Size Grandezza</th> <th>A</th> <th>B</th> <th>C</th> <th>F</th> <th>L</th> </tr> </thead> <tbody> <tr> <td>10B «57x27»</td> <td>73</td> <td>43</td> <td>22</td> <td>127</td> <td>54</td> </tr> <tr> <td>16B «77x27»</td> <td>94</td> <td>43</td> <td>22</td> <td>147</td> <td>54</td> </tr> <tr> <td>24B «104x27»</td> <td>120</td> <td>43</td> <td>23</td> <td>174</td> <td>54</td> </tr> </tbody> </table> <p data-bbox="119 1845 670 1890">  NEMA Type 4/4x/12 </p> <p data-bbox="119 1906 957 1995"> - Type: EMC for EMC applications and inserts up to 500V. For hoods/housings EMC series with 4 pegs - IP66 / IP69 protection degree Tipo: EMC per applicazioni dove è richiesta la compatibilità elettromagnetica ed inserti fino a 500V. Per custodie EMC con 4 perni - Grado di protezione IP66 / IP69 </p> <p data-bbox="119 2002 478 2056"> * Number of poles with S-E inserts Numero di poli con inserti S-E </p>	Size Grandezza	A	B	C	F	L	10B «57x27»	73	43	22	127	54	16B «77x27»	94	43	22	147	54	24B «104x27»	120	43	23	174	54	10B «57x27»	10	7810.6809.4
	Size Grandezza	A	B	C	F	L																					
	10B «57x27»	73	43	22	127	54																					
	16B «77x27»	94	43	22	147	54																					
24B «104x27»	120	43	23	174	54																						
16B «77x27»	16	7816.6810.4																									
24B «104x27»	24	7824.6811.4																									



Technical characteristics	Caratteristiche tecniche
<p>Description:</p> <p>This series has been developed for electrical external interconnections on vehicles, railways and for any other applications where particularly harsh environmental resistance, mechanical resistance and IP68/IP69 protection degree are required.</p> <p>The enclosures of HP-HE series have bigger dimensions than the other series that accept the same type of inserts.</p> <p>They are suitable for inserts with high rated voltage, particularly used in railway applications.</p> <p>The series accept all the inserts with sizes 3A«21x21» and B sizes that is 6B «44x27», 10B «57x27», 16B «77x27» and 24B «104x27».</p> <p>Features:</p> <ol style="list-style-type: none"> 1) Threaded cable passage in various Pg and Metric thread (in accordance with EN 60423), for cable entry devices in accordance with EN 50262. Passage hole can be optionally oriented vertically, horizontally or frontal. NPT thread on request. 2) Heavy duty enclosures in die-cast aluminium alloy corrosion proof. Surface mounting or bulkhead housings and hoods are available, with mobile protection covers. 3) Epoxy-polyester powder coating, color Black RAL 9005 with high resistance to mechanical stress and external agents. 4) Special seal gaskets in anti-ageing, oil-resistant and fuel resistant vinyl nitrile elastomer (NBR) for use in harsh environments together with joints provide an IP68/IP69 degree of protection for coupled connectors. The gaskets are internally positioned. 5) Two locking systems: Screw M6 or M4 or toggle. Exagonal head for flat screwdriver or spanner. Easily locking also with side cable entry hood. Maximum torque and tools: see table page 00.50 6) Bulkhead housing with fixing screws located internally the gasket for better protection. 7) These enclosures are enlarged with more space for cabling and better insulation. 8) They offer good EMC performances, vibrations proof in accordance with EN 61373 and IP68/IP69 protection degree in accordance with EN 60529 	<p>Descrizione:</p> <p><i>Serie utilizzata in connessioni elettriche esterne nei veicoli, nel settore ferroviario, ed in ogni altra applicazione dove sono richieste particolari resistenze agli ambienti aggressivi, alle sollecitazioni meccaniche e grado di protezione IP68/IP69. Le custodie della serie HP-HE hanno dimensioni più grandi rispetto le altre serie che accettano inserti della medesima grandezza. Esse sono adatte per inserti con tensioni di lavoro molto alte, in applicazioni principalmente in campo ferroviario. La serie accetta tutti gli inserti di grandezza 3A«21x21», 6B «44x27», 10B «57x27», 16B «77x27» e 24B «104x27».</i></p> <p>Caratteristiche:</p> <ol style="list-style-type: none"> 1) Foro di passaggio cavi filettato, realizzato in differenti diametri Pg o passo metrico (secondo EN 60423) per dispositivi di ingresso cavi secondo EN 50262, con possibilità di orientamento verticale, orizzontale o frontale. Filettature NPT su richiesta. 2) Robuste custodie in lega di alluminio pressofusa anticorrosione. Sono previste versioni fisse da parete, da incasso e mobili, con coperchio di protezione mobile. 3) Verniciatura a forno con polvere epossipoliestere colore nero RAL 9005 con elevata resistenza meccanica ed agli agenti esterni. 4) Guarnizioni di tenuta speciali, in elastomero vinilnitrile NBR per ambienti aggressivi, anti-invecchiamento, resistenti agli olii, ai carburanti, insieme ai dispositivi di ingresso cavi garantiscono il grado di protezione IP68/IP69 per connettori accoppiati. Le guarnizioni sono posizionate internamente per una migliore protezione. 5) Dispositivo di chiusura disponibile in due soluzioni: con viti in acciaio inox a testa esagonale o a baionetta. Viti M6 o M4 a testa esagonale con intaglio azionabili sia mediante giravite che con chiave esagonale, facilmente accessibili anche sulle custodie con uscita cavi orizzontale. Coppia di serraggio ed utensili vedere tabella pag. 00.50 6) Custodia fissa da incasso con viti di fissaggio all'interno della guarnizione per una maggiore protezione. 7) Custodie allargate per offrire maggiore spazio di cablaggio ed un più alto isolamento. 8) Assicurano una buona schermatura per la compatibilità elettromagnetica, una resistenza alle vibrazioni secondo EN 61373 ed un grado di protezione IP68/IP69 secondo EN 60529.

Hood top entry size 3A «21 x 21» Custodie ingresso verticale grandezza 3A «21 x 21»	Type Tipo	Thread Filettatura	Toggle locking Bloccaggio a baionetta Part No. - Codice	Screw locking Bloccaggio a vite Part No. - Codice
 <p>IP68/IP69 (EN 60529)</p> <p>CE RoHS NEMA Type 4/6p/12</p> <ul style="list-style-type: none"> - Type HP-HE: high performance for harsh environmental requirements: Powder coating black RAL 9005 - Type HP-EMC: high performance for EMC black cromated - For inserts size 21 x 21, S-A 3/4, S-D/7, S-Q 2/0, S-Q 5/0, S-Q 7/0, S-Q12, S-CX series - By using the enclosures of these series the gasket of male insert shall be removed - Material: Zinc alloy <ul style="list-style-type: none"> - Tipo HP-HE: alte prestazione per ambienti aggressivi: Verniciato a polvere nero RAL 9005 - Tipo HP-EMC: Alte prestazioni per EMC: Cromata colore nero - Per gli inserti 21 x 21, serie S-A 3/4, S-D/7, S-Q 2/0, S-Q 5/0, S-Q 7/0, S-Q12, S-CX - Usando le custodie di queste serie la guarnizione presente negli inserti maschio deve essere rimossa - Materiale: Lega di zinco 	HP-HE	M 20	7803.3543.3	7803.3443.3
	HP-HE	Pg 13,5	7803.3544.3	7803.3444.3
	HP-EMC	M 20	7803.3543.4	7803.3443.4
	HP-EMC	Pg 13,5	7803.3544.4	7803.3444.4

Bulkhead mounting housing size 3A «21 x 21» Custodia da incasso grandezza 3A «21 x 21»	Type Tipo	Thread Filettatura	Toggle locking Bloccaggio a baionetta Part No. - Codice	Screw locking Bloccaggio a vite Part No. - Codice
  <p data-bbox="555 1422 718 1467">Panel cut out Foratura del pannello</p> <p data-bbox="151 1512 391 1541">IP68/IP69 (EN 60529)</p> <p data-bbox="151 1556 566 1601">CE RoHS NEMA Type 4/6p/12</p> <ul data-bbox="135 1624 766 2049" style="list-style-type: none"> - Type HP-HE: high performance for harsh environmental requirements: Powder coating black RAL 9005 - Type HP-EMC: high performance for EMC black cromated - For inserts size 21 x 21, S-A 3/4, S-D/7, S-Q 2/0, S-Q 5/0, S-Q 7/0, S-Q12, S-CX series - By using the enclosures of these series the gasket of male insert shall be removed - Material: Zinc alloy - Tipo HP-HE: alte prestazione per ambienti aggressivi: Verniciato a polvere nero RAL 9005 - Tipo HP-EMC: Alte prestazioni per EMC: Cromata colore nero - Per gli inserti 21 x 21, serie S-A 3/4, S-D/7, S-Q 2/0, S-Q 5/0, S-Q 7/0, S-Q12, S-CX - Usando le custodie di queste serie la guarnizione presente negli inserti maschio deve essere rimossa - Materiale: Lega di zinco 	<p data-bbox="837 392 901 414">HP-HE</p> <p data-bbox="837 504 917 526">HP-EMC</p>	<p data-bbox="965 392 981 414">-</p> <p data-bbox="965 504 981 526">-</p>	<p data-bbox="1085 392 1204 414">7803.3546.3</p> <p data-bbox="1085 504 1204 526">7803.3546.4</p>	<p data-bbox="1316 392 1436 414">7803.3446.3</p> <p data-bbox="1316 504 1436 526">7803.3446.4</p>

Adapters for bulkhead mounting housing size 3A «21 x 21» Adfattatori per custodie da incasso grandezza 3A «21 x 21»	Type Tipo	Thread Filettatura	Toggle locking Bloccaggio a baionetta Part No. - Codice	Screw locking Bloccaggio a vite Part No. - Codice
 <p data-bbox="132 645 783 696">Adapters for assembly of bulkhead housings, see pag. 30.04, in right angled position with or without straight cable entry.</p> <p data-bbox="132 721 767 772">Adattatori per assemblare le custodie da incasso, vedere pag. 30.04, in posizione a 90° con o senza passaggio cavo diritto.</p>  <p data-bbox="571 1364 707 1400">Panel cut out Foratura del pannello</p> <p data-bbox="153 1664 395 1693">IP68/IP69 (EN 60529)</p> <p data-bbox="145 1711 564 1751">CE RoHS NEMA Type 4/6p/12</p> <ul data-bbox="132 1771 772 2054" style="list-style-type: none"> - Type HP-HE: high performance for harsh environmental requirements: Powder coating black RAL 9005 - Type HP-EMC: high performance for EMC black cromated - For inserts size 21 x 21, S-A 3/4, S-D/7, S-Q 2/0, S-Q 5/0, S-Q 7/0, S-Q12, S.CX series - Tipo HP-HE: alte prestazione per ambienti aggressivi: Verniciato a polvere nero RAL 9005 - Tipo HP-EMC: Alte prestazioni per EMC: Cromata colore nero - Per gli inserti 21 x 21, serie S-A 3/4, S-D/7, S-Q 2/0, S-Q 5/0, S-Q 7/0, S-Q12, S-CX 	HP-HE	M 20	7803.3560.3	7803.3460.3
	HP-HE	Pg 13,5	7803.3561.3	7803.3461.3
	HP-HE	-	7803.3562.3	7803.3462.3
	HP-EMC	M 20	7803.3560.4	7803.3460.4
	HP-EMC	Pg 13,5	7803.3561.4	7803.3461.4
	HP-EMC	-	7803.3562.4	7803.3462.4

Covers: size 3A «21 x 21»
Coperchi: grandezza 3A «21 x 21»

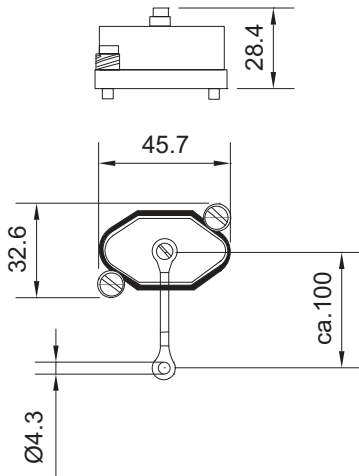
Type Tipo	Toggle locking Bloccaggio a baionetta	Screw locking Bloccaggio a vite
	Part No. - Codice	Part No. - Codice



HP-HE	7803.3531.3	7803.3431.3
HP-EMC	7803.3531.4	7803.3431.4
HP-HE	7803.3532.3	7803.3432.3
HP-EMC	7803.3532.4	7803.3432.4

Covers for surface and bulkhead mounting housings with removable fixing cord


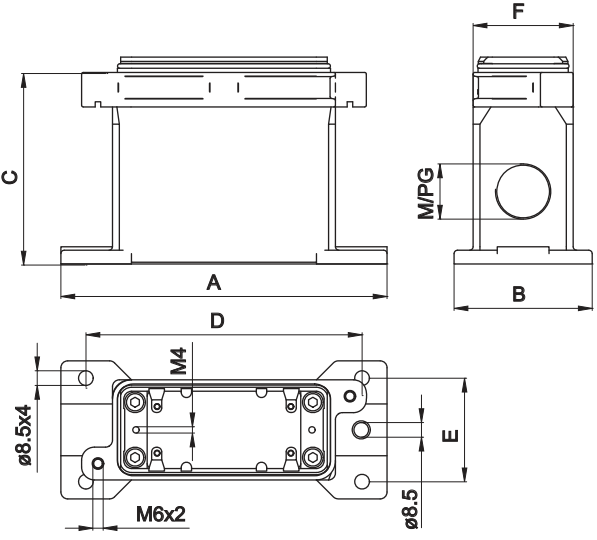
Coperchi per custodie da parete e da incasso con cavetto di fissaggio rimovibile


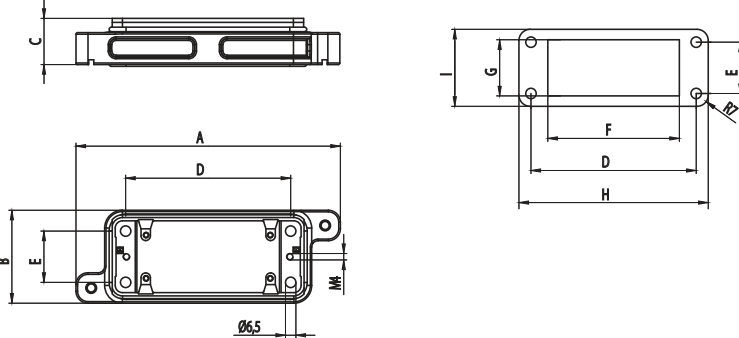


IP68/IP69 (EN 60529)

CE (RoHS) NEMA Type 4/6p/12

- Type HP-HE: high performance for harsh environmental requirements: Powder coating black RAL 9005
- Type HP-EMC: high performance for EMC black cromated
- For inserts size 21 x 21, S-A 3/4, S-D/7, S-Q 2/0, S-Q 5/0, S-Q 7/0, S-Q12 series
- Tipo HP-HE: alte prestazione per ambienti aggressivi: Verniciato a polvere nero RAL 9005
- Tipo HP-EMC: Alte prestazioni per EMC: Cromata colore nero
- Per gli inserti 21 x 21, serie S-A 3/4, S-D/7, S-Q 2/0, S-Q 5/0, S-Q 7/0, S-Q12


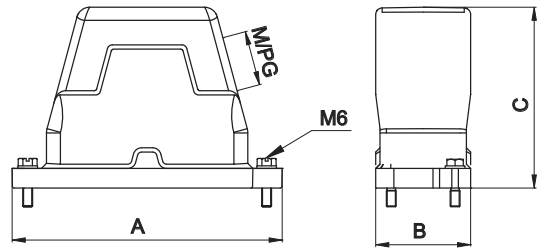
Surface mounting housings Custodie da parete	Size Grandezza	Thread Filettatura	Toggle locking	Screw locking																																			
			Bloccaggio a baionetta Part No. - Codice	Bloccaggio a vite Part No. - Codice																																			
	6B«44x27»	M 20	7806.3950.3	7806.3750.3																																			
	6B«44x27»	M 20x2	7806.3951.3	7806.3751.3																																			
	6B«44x27»	M 25	7806.3952.3	7806.3752.3																																			
	6B«44x27»	M 25x2	7806.3953.3	7806.3753.3																																			
	6B«44x27»	M 32	7806.3954.3	7806.3754.3																																			
	6B«44x27»	M 32x2	7806.3955.3	7806.3755.3																																			
	6B«44x27»	Pg 16	7806.3956.3	7806.3756.3																																			
	6B«44x27»	Pg 16x2	7806.3957.3	7806.3757.3																																			
	6B«44x27»	Pg 21	7806.3958.3	7806.3758.3																																			
	6B«44x27»	Pg 21x2	7806.3959.3	7806.3759.3																																			
	6B«44x27»	Pg 29	7806.3960.3	7806.3760.3																																			
	6B«44x27»	Pg 29x2	7806.3961.3	7806.3761.3																																			
<p>High performance for harsh environmental requirements <i>Alte prestazioni per ambienti aggressivi</i></p> 	10B«57x27»	M 20	7810.3963.3	7810.3763.3																																			
	10B«57x27»	M 20x2	7810.3964.3	7810.3764.3																																			
	10B«57x27»	M 25	7810.3965.3	7810.3765.3																																			
	10B«57x27»	M 25x2	7810.3966.3	7810.3766.3																																			
	10B«57x27»	M 32	7810.3967.3	7810.3767.3																																			
	10B«57x27»	M 32x2	7810.3968.3	7810.3768.3																																			
	10B«57x27»	M 40	7810.3969.3	7810.3769.3																																			
	10B«57x27»	M 40x2	7810.3970.3	7810.3770.3																																			
	10B«57x27»	Pg 16	7810.3973.3	7810.3773.3																																			
	10B«57x27»	Pg 16x2	7810.3974.3	7810.9774.3																																			
	10B«57x27»	Pg 21	7810.3975.3	7810.9775.3																																			
	10B«57x27»	Pg 21x2	7810.3976.3	7810.9776.3																																			
10B«57x27»	Pg 29	7810.3977.3	7810.3777.3																																				
10B«57x27»	Pg 29x2	7810.3978.3	7810.3778.3																																				
<p>IP68/IP69 (EN 60529)</p> <table border="1"> <thead> <tr> <th>Size Grandezza</th> <th>A</th> <th>B</th> <th>C</th> <th>D</th> <th>E</th> <th>F</th> </tr> </thead> <tbody> <tr> <td>6B «44x27»</td> <td>156</td> <td>80</td> <td>100</td> <td>127</td> <td>60</td> <td>58</td> </tr> <tr> <td>10B «57x27»</td> <td>169</td> <td>80</td> <td>100</td> <td>140</td> <td>60</td> <td>58</td> </tr> <tr> <td>16B «77x27»</td> <td>189</td> <td>80</td> <td>111</td> <td>160</td> <td>60</td> <td>58</td> </tr> <tr> <td>24B «104x27»</td> <td>216</td> <td>80</td> <td>111</td> <td>187</td> <td>60</td> <td>58</td> </tr> </tbody> </table>	Size Grandezza	A	B	C	D	E	F	6B «44x27»	156	80	100	127	60	58	10B «57x27»	169	80	100	140	60	58	16B «77x27»	189	80	111	160	60	58	24B «104x27»	216	80	111	187	60	58	16B«77x27»	M 25	7816.3980.3	7816.3780.3
	Size Grandezza	A	B	C	D	E	F																																
	6B «44x27»	156	80	100	127	60	58																																
	10B «57x27»	169	80	100	140	60	58																																
	16B «77x27»	189	80	111	160	60	58																																
	24B «104x27»	216	80	111	187	60	58																																
	16B«77x27»	M 25x2	7816.3981.3	7816.3781.3																																			
	16B«77x27»	M 32	7816.3982.3	7816.3782.3																																			
	16B«77x27»	M 32x2	7816.3983.3	7816.3783.3																																			
	16B«77x27»	M 40	7816.3984.3	7816.3784.3																																			
	16B«77x27»	M 40x2	7816.3985.3	7816.3785.3																																			
	16B«77x27»	Pg 21	7816.3986.3	7816.3786.3																																			
16B«77x27»	Pg 21x2	7816.3987.3	7816.3787.3																																				
16B«77x27»	Pg 29	7816.3988.3	7816.3788.3																																				
16B«77x27»	Pg 29x2	7816.3989.3	7816.3789.3																																				
16B«77x27»	Pg 36	7816.3990.3	7816.3790.3																																				
16B«77x27»	Pg 36x2	7816.3991.3	7816.3791.3																																				
<p>CE RoHS NEMA Type 4/6p/12</p> <ul style="list-style-type: none"> - Type: HP-HE for harsh environmental requirements and inserts series: S-D, S-DD, S-E, S-ES, S-EP, S-EE, S-EEE, S-HSB, S-K, S-M - Tipo: HP-HE per ambienti aggressivi ed inserti serie: S-D, S-DD, S-E, S-ES, S-EP, S-EE, S-EEE, S-HSB, S-K, S-M - Screw or toggle locking <i>Chiusura a vite o a baionetta</i> - IP68 / IP69 protection degree <i>Grado di protezione IP68 / IP69</i> - Recommended type for IP68 cable glands <i>Tipo raccomandato per pressacavi IP68</i> 	24B«104x27»	M 25	7824.3992.3	7824.3792.3																																			
	24B«104x27»	M 25x2	7824.3993.3	7824.3793.3																																			
	24B«104x27»	M 32	7824.3994.3	7824.3794.3																																			
	24B«104x27»	M 32x2	7824.3995.3	7824.3795.3																																			
	24B«104x27»	M 40	7824.3996.3	7824.3796.3																																			
	24B«104x27»	M 40x2	7824.3997.3	7824.3797.3																																			
	24B«104x27»	Pg 21	7824.3998.3	7824.3798.3																																			
	24B«104x27»	Pg 21x2	7824.3999.3	7824.3799.3																																			
	24B«104x27»	Pg 29	7824.4000.3	7824.3800.3																																			
	24B«104x27»	Pg 29x2	7824.4001.3	7824.3801.3																																			
	24B«104x27»	Pg 36	7824.4002.3	7824.3802.3																																			
	24B«104x27»	Pg 36x2	7824.4003.3	7824.3803.3																																			


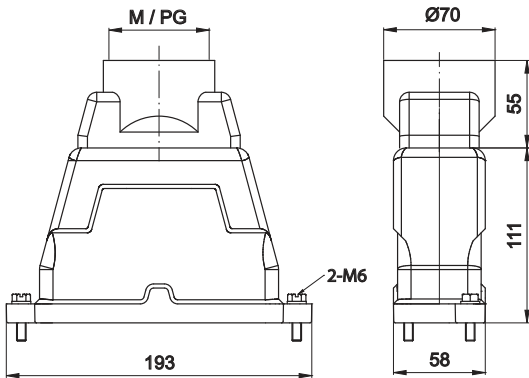
Bulkhead mounting housings Custodie da incasso		Size Grandezza	Toggle locking Bloccaggio a baionetta Part No. - Codice	Screw locking Bloccaggio a vite Part No. - Codice																																																		
 <p style="color: red; text-align: center;">High performance for harsh environmental requirements Alte prestazioni per ambienti aggressivi</p>  <p>IP68/IP69 (EN 60529)</p> <table border="1" style="width: 100%; border-collapse: collapse;"> <thead> <tr> <th>Size Grandezza</th> <th>A</th> <th>B</th> <th>C</th> <th>D</th> <th>E</th> <th>F</th> <th>G</th> <th>H</th> <th>I</th> </tr> </thead> <tbody> <tr> <td>6B «44x27»</td> <td>133</td> <td>58</td> <td>29</td> <td>70</td> <td>32</td> <td>48</td> <td>35</td> <td>85</td> <td>48</td> </tr> <tr> <td>10B «57x27»</td> <td>146</td> <td>58</td> <td>29</td> <td>83</td> <td>32</td> <td>60</td> <td>35</td> <td>98</td> <td>48</td> </tr> <tr> <td>16B «77x27»</td> <td>166</td> <td>58</td> <td>29</td> <td>103</td> <td>32</td> <td>82</td> <td>35</td> <td>118</td> <td>48</td> </tr> <tr> <td>24B «104x27»</td> <td>193</td> <td>58</td> <td>29</td> <td>130</td> <td>32</td> <td>108</td> <td>35</td> <td>145</td> <td>48</td> </tr> </tbody> </table>		Size Grandezza	A	B	C	D	E	F	G	H	I	6B «44x27»	133	58	29	70	32	48	35	85	48	10B «57x27»	146	58	29	83	32	60	35	98	48	16B «77x27»	166	58	29	103	32	82	35	118	48	24B «104x27»	193	58	29	130	32	108	35	145	48	6B«44x27»	7806.3935.3	7806.3735.3
		Size Grandezza	A	B	C	D	E	F	G	H	I																																											
		6B «44x27»	133	58	29	70	32	48	35	85	48																																											
		10B «57x27»	146	58	29	83	32	60	35	98	48																																											
16B «77x27»	166	58	29	103	32	82	35	118	48																																													
24B «104x27»	193	58	29	130	32	108	35	145	48																																													
10B«57x27»	7810.3936.3	7810.3736.3																																																				
16B«77x27»	7816.3937.3	7816.3737.3																																																				
24B«104x27»	7824.3938.3	7824.3738.3																																																				


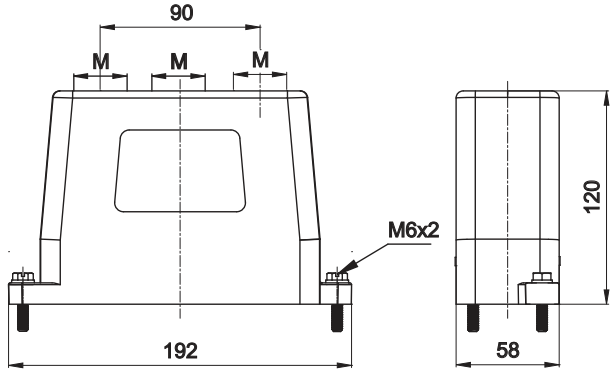



CE **RoHS** **NEMA** Type 4/6p/12


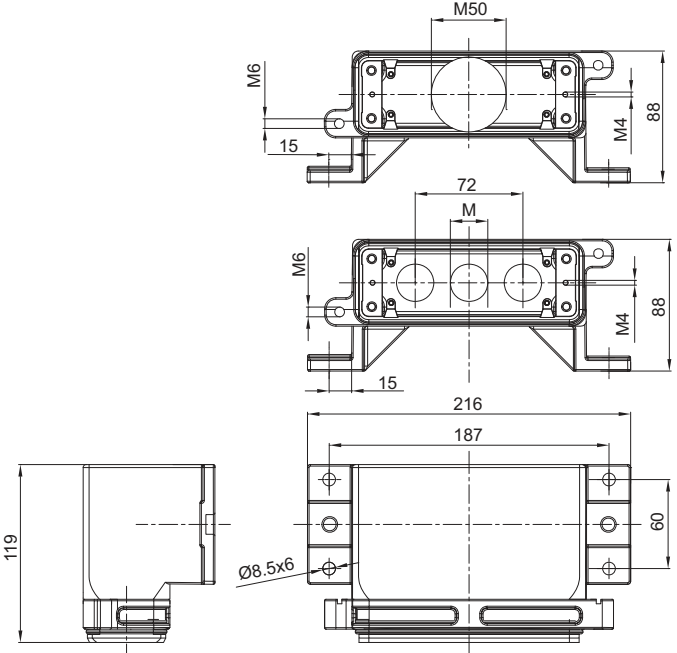
- Type: HP-HE for harsh environmental requirements and inserts series: S-D, S-DD, S-E, S-ES, S-EP, S-EE, S-EEE, S-HSB, S-K, S-M
- Tipo: HP-HE per ambienti aggressivi ed inserti serie: S-D, S-DD, S-E, S-ES, S-EP, S-EE, S-EEE, S-HSB, S-K, S-M
- Screw or toggle locking
Chiusura a vite o a baionetta
- IP68 / IP69 protection degree
Grado di protezione IP68 / IP69


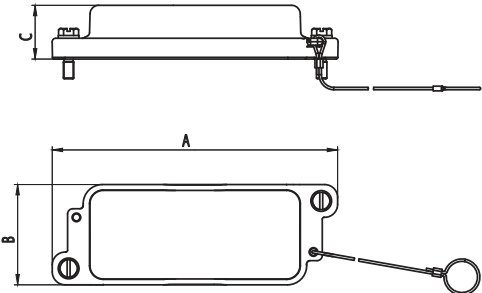



Hoods top entry Custodie mobili con ingresso verticale	Size Grandezza	Thread Filettatura	Toggle locking Bloccaggio a baionetta Part No. - Codice	Screw locking Bloccaggio a vite Part No. - Codice																				
	6B«44x27»	M 20	7806.3801.8	7806.3601.8																				
	6B«44x27»	M 25	7806.3802.8	7806.3602.8																				
	6B«44x27»	M 32	7806.3803.8	7806.3603.8																				
	6B«44x27»	M 40	7806.3804.8	7806.3604.8																				
	6B«44x27»	Pg 16	7806.3806.8	7806.3606.8																				
	6B«44x27»	Pg 21	7806.3807.8	7806.3607.8																				
	6B«44x27»	Pg 29	7806.3808.8	7806.3608.8																				
	10B«57x27»	M 20	7810.3825.8	7810.3625.8																				
	10B«57x27»	M 25	7810.3826.8	7810.3626.8																				
	10B«57x27»	M 32	7810.3827.8	7810.3627.8																				
<p>High performance for harsh environmental requirements Alte prestazioni per ambienti aggressivi</p> 	10B«57x27»	M 40	7810.3828.8	7810.3628.8																				
	10B«57x27»	M 20x2	7810.3829.8	7810.3629.8																				
	10B«57x27»	Pg 16	7810.3830.8	7810.3630.8																				
	10B«57x27»	Pg 21	7810.3831.8	7810.3631.8																				
	10B«57x27»	Pg 29	7810.3832.8	7810.3632.8																				
	16B«77x27»	M 25	7816.3850.8	7816.3650.8																				
	16B«77x27»	M 32	7816.3851.8	7816.3651.8																				
	16B«77x27»	M 40	7816.3852.8	7816.3652.8																				
	16B«77x27»	M 50	7816.3853.8	7816.3653.8																				
	16B«77x27»	M 25x2	7816.3854.8	7816.3654.8																				
<p>IP68/IP69 (EN 60529)</p> <table border="1" data-bbox="159 1435 754 1668"> <thead> <tr> <th>Size Grandezza</th> <th>A</th> <th>B</th> <th>C</th> </tr> </thead> <tbody> <tr> <td>6B «44x27»</td> <td>133</td> <td>58</td> <td>100</td> </tr> <tr> <td>10B «57x27»</td> <td>146</td> <td>58</td> <td>100</td> </tr> <tr> <td>16B «77x27»</td> <td>166</td> <td>58</td> <td>111</td> </tr> <tr> <td>24B «104x27»</td> <td>193</td> <td>58</td> <td>111</td> </tr> </tbody> </table>	Size Grandezza	A	B	C	6B «44x27»	133	58	100	10B «57x27»	146	58	100	16B «77x27»	166	58	111	24B «104x27»	193	58	111	16B«77x27»	M 25x2	7816.3857.8	7816.3657.8
	Size Grandezza	A	B	C																				
	6B «44x27»	133	58	100																				
	10B «57x27»	146	58	100																				
	16B «77x27»	166	58	111																				
	24B «104x27»	193	58	111																				
	16B«77x27»	Pg 21	7816.3858.8	7816.3658.8																				
	16B«77x27»	Pg 29	7816.3859.8	7816.3659.8																				
	16B«77x27»	Pg 36	7816.3859.8	7816.3659.8																				
	16B«77x27»	Pg 21x2	7816.3861.8	7816.3661.8																				
24B«104x27»	M 25	7824.3875.8	7824.3675.8																					
24B«104x27»	M 32	7824.3876.8	7824.3676.8																					
24B«104x27»	M 40	7824.3877.8	7824.3677.8																					
24B«104x27»	M 50	7824.3878.8	7824.3678.8																					
24B«104x27»	M 25x2	7824.3879.8	7824.3679.8																					
<p>CE RoHS NEMA Type 4/6p/12</p> <ul style="list-style-type: none"> - Type: HP-HE for harsh environmental requirements and inserts series: S-D, S-DD, S-E, S-ES, S-EP, S-EE, S-EEE, S-HSB, S-K, S-M - Tipo: HP-HE per ambienti aggressivi ed inserti serie: S-D, S-DD, S-E, S-ES, S-EP, S-EE, S-EEE, S-HSB, S-K, S-M - Screw or toggle locking Chiusura a vite o a baionetta - IP68 / IP69 protection degree Grado di protezione IP68 / IP69 - Recommended type for IP68 cable glands Tipo raccomandato per pressacavi IP68 	24B«104x27»	M 32x2	7824.3880.8	7824.3680.8																				
	24B«104x27»	M 40x2	7824.3881.8	7824.3681.8																				
	24B«104x27»	M 25x3	7824.3882.8	7824.3682.8																				
	24B«104x27»	Pg 21	7824.3885.8	7824.3685.8																				
	24B«104x27»	Pg 29	7824.3886.8	7824.3686.8																				
	24B«104x27»	Pg 36	7824.3887.8	7824.3687.8																				
	24B«104x27»	Pg 21x2	7824.3888.8	7824.3688.8																				
	24B«104x27»	Pg 29x2	7824.3889.8	7824.3689.8																				

Hoods side entry Custodie mobili con ingresso orizzontale	Size Grandezza	Thread Filettatura	Toggle locking Bloccaggio a baionetta Part No. - Codice	Screw locking Bloccaggio a vite Part No. - Codice																					
	6B«44x27»	M 20	7806.3811.8	7806.3611.8																					
	6B«44x27»	M 25	7806.3812.8	7806.3612.8																					
	6B«44x27»	M 32	7806.3813.8	7806.3613.8																					
	6B«44x27»	M 40	7806.3814.8	7806.3614.8																					
	6B«44x27»	Pg 16	7806.3815.8	7806.3615.8																					
	6B«44x27»	Pg 21	7806.3816.8	7806.3616.8																					
	6B«44x27»	Pg 29	7806.3817.8	7806.3617.8																					
	6B«44x27»	-	7806.3820.8	7806.3620.8																					
	<p>High performance for harsh environmental requirements Alte prestazioni per ambienti aggressivi</p> 	10B«57x27»	M 20	7810.3834.8	7810.3634.8																				
		10B«57x27»	M 25	7810.3835.8	7810.3635.8																				
10B«57x27»		M 32	7810.3836.8	7810.3636.8																					
10B«57x27»		M 40	7810.3837.8	7810.3637.8																					
10B«57x27»		Pg 16	7810.3840.8	7810.3640.8																					
10B«57x27»		Pg 21	7810.3841.8	7810.3641.8																					
10B«57x27»		Pg 29	7810.3842.8	7810.3642.8																					
10B«57x27»		-	7810.3845.8	7810.3645.8																					
<p>IP68/IP69 (EN 60529)</p> <table border="1" data-bbox="127 1444 782 1657"> <thead> <tr> <th>Size Grandezza</th> <th>A</th> <th>B</th> <th>C</th> </tr> </thead> <tbody> <tr> <td>6B «44x27»</td> <td>133</td> <td>58</td> <td>100</td> </tr> <tr> <td>10B «57x27»</td> <td>146</td> <td>58</td> <td>100</td> </tr> <tr> <td>16B «77x27»</td> <td>166</td> <td>58</td> <td>111</td> </tr> <tr> <td>24B «104x27»</td> <td>193</td> <td>58</td> <td>111</td> </tr> </tbody> </table>		Size Grandezza	A	B	C	6B «44x27»	133	58	100	10B «57x27»	146	58	100	16B «77x27»	166	58	111	24B «104x27»	193	58	111	16B«77x27»	M 25	7816.3863.8	7816.3663.8
		Size Grandezza	A	B	C																				
	6B «44x27»	133	58	100																					
	10B «57x27»	146	58	100																					
	16B «77x27»	166	58	111																					
	24B «104x27»	193	58	111																					
	16B«77x27»	M 32	7816.3864.8	7816.3664.8																					
	16B«77x27»	M 40	7816.3865.8	7816.3665.8																					
	16B«77x27»	M 50	7816.3866.8	7816.3666.8																					
	16B«77x27»	Pg 21	7816.3868.8	7816.3668.8																					
16B«77x27»	Pg 29	7816.3870.8	7816.3670.8																						
16B«77x27»	Pg 36	7816.3871.8	7816.3671.8																						
16B«77x27»	-	7816.3873.8	7816.3673.8																						
<p>CE (RoHS) REMA Type 4/6p/12</p> <ul style="list-style-type: none"> - Type: HP-HE for harsh environmental requirements and inserts series: S-D, S-DD, S-E, S-ES, S-EP, S-EE, S-EEE, S-HSB, S-K, S-M - Tipo: HP-HE per ambienti aggressivi ed inserti serie: S-D, S-DD, S-E, S-ES, S-EP, S-EE, S-EEE, S-HSB, S-K, S-M - Screw or toggle locking Chiusura a vite o a baionetta - IP68 / IP69 protection degree Grado di protezione IP68 / IP69 - Recommended type for IP68 cable glands Tipo raccomandato per pressacavi IP68 	24B«104x27»	M 25	7824.3892.8	7824.3692.8																					
	24B«104x27»	M 32	7824.3893.8	7824.3693.8																					
	24B«104x27»	M 40	7824.3894.8	7824.3694.8																					
	24B«104x27»	M 50	7824.3895.8	7824.3695.8																					
	24B«104x27»	M 32x2	7824.3896.8	7824.3696.8																					
	24B«104x27»	Pg 21	7824.3899.8	7824.3699.8																					
	24B«104x27»	Pg 29	7824.3900.8	7824.3700.8																					
	24B«104x27»	Pg 36	7824.3901.8	7824.3701.8																					
	24B«104x27»	-	7824.3905.8	7824.3705.8																					

Hoods top entry size 24B «104x27» Custodie con ingresso verticale grandezza 24B «104x27»	Size Grandezza	Thread Filettatura	Toggle locking Bloccaggio a baionetta Part No. - Codice	Screw locking Bloccaggio a vite Part No. - Codice
<p>High construction - <i>Costruzione alta</i></p>  <p>High performance for harsh environmental requirements <i>Alte prestazioni per ambienti aggressivi</i></p>  <p>IP68/IP69 (EN 60529)</p> <p>CE (RoHS) NEMA Type 4/6p/12</p> <ul style="list-style-type: none"> - Type: HP-HE for harsh environmental requirements and inserts series: S-D, S-DD, S-E, S-ES, S-EP, S-EE, S-EEE, S-HSB, S-K, S-M - Tipo: HP-HE per ambienti aggressivi ed inserti serie: S-D, S-DD, S-E, S-ES, S-EP, S-EE, S-EEE, S-HSB, S-K, S-M - Screw or toggle locking <i>Chiusura a vite o a baionetta</i> - IP68 / IP69 protection degree <i>Grado di protezione IP68 / IP69</i> - Recommended type for IP68 cable glands <i>Tipo raccomandato per pressacavi IP68</i> 	<p>24B«104x27» 24B«104x27»</p>	<p>M 63 Pg 48</p>	<p>7824.3920.8 7824.3922.8</p>	<p>7824.3720.8 7824.3722.8</p>

Hood top entry size 24B «104x27» Custodia con ingresso verticale grandezza 24B «104x27»	Size Grandezza	Thread Filettatura	Toggle locking Bloccaggio a baionetta Part No. - Codice	Screw locking Bloccaggio a vite Part No. - Codice
<p>High construction - Costruzione alta</p>  <p>High performance for harsh environmental requirements <i>Alte prestazioni per ambienti aggressivi</i></p>  <p>IP68/IP69 (EN 60529)</p> <p>   Type 4/6p/12</p> <ul style="list-style-type: none"> - Type: HP-HE for harsh environmental requirements and inserts series: S-D, S-DD, S-E, S-ES, S-EP, S-EE, S-EEE, S-HSB, S-K, S-M - Tipo: HP-HE per ambienti aggressivi ed inserti serie: S-D, S-DD, S-E, S-ES, S-EP, S-EE, S-EEE, S-HSB, S-K, S-M - Screw or toggle locking <i>Chiusura a vite o a baionetta</i> - IP68 / IP69 protection degree <i>Grado di protezione IP68 / IP69</i> - Recommended type for IP68 cable glands <i>Tipo raccomandato per pressacavi IP68</i> 	24B«104x27»	M25x3	7824.3924.8	7824.3724.8
	24B«104x27»	M32x3	7824.3925.8	7824.3725.8
	24B«104x27»	M40	7824.3926.8	7824.3726.8
	24B«104x27»	M 40x2	7824.3927.8	7824.3727.8
	24B«104x27»	M 50	7824.3928.8	7824.3728.8

Side cable entry, size 24B «104x27» Grandezza 24B «104x27» ingresso cavi orizzontale	Size Grandezza	Thread Filettatura	Toggle locking Bloccaggio a baionetta Part No. - Codice	Screw locking Bloccaggio a vite Part No. - Codice
<p>High construction - Costruzione alta</p>  <p>High performance for harsh environmental requirements <i>Alte prestazioni per ambienti aggressivi</i></p>  <p>IP68/IP69 (EN 60529)</p> <p>CE RoHS NEMA Type 4/6p/12</p> <ul style="list-style-type: none"> - Type: HP-HE for harsh environmental requirements and inserts series: S-D, S-DD, S-E, S-ES, S-EP, S-EE, S-EEE, S-HSB, S-K, S-M - Tipo: HP-HE per ambienti aggressivi ed inserti serie: S-D, S-DD, S-E, S-ES, S-EP, S-EE, S-EEE, S-HSB, S-K, S-M - Screw or toggle locking <i>Chiusura a vite o a baionetta</i> - IP68 / IP69 protection degree <i>Grado di protezione IP68 / IP69</i> - Recommended type for IP68 cable glands <i>Tipo raccomandato per pressacavi IP68</i> 	24B«104x27»	M25x3	7824.3911.3	7824.3711.3
	24B«104x27»	M25x3+M20	7824.3912.3	7824.3712.3
	24B«104x27»	M32x3	7824.3913.3	7824.3713.3
	24B«104x27»	M 40x2	7824.3915.3	7824.3715.3
	24B«104x27»	M 50	7824.3916.3	7824.3716.3

Covers Coperchi	Size Grandezza	Toggle locking Bloccaggio a baionetta Part No. - Codice	Screw locking Bloccaggio a vite Part No. - Codice																				
 <p data-bbox="220 810 799 864">High performance for harsh environmental requirements <i>Alte prestazioni per ambienti aggressivi</i></p>  <p data-bbox="150 1382 392 1413">IP68/IP69 (EN 60529)</p> <table border="1" data-bbox="129 1447 783 1655"> <thead> <tr> <th>Size Grandezza</th> <th>A</th> <th>B</th> <th>C</th> </tr> </thead> <tbody> <tr> <td>6B «44x27»</td> <td>133</td> <td>58</td> <td>31</td> </tr> <tr> <td>10B «57x27»</td> <td>146</td> <td>58</td> <td>31</td> </tr> <tr> <td>16B «77x27»</td> <td>165</td> <td>58</td> <td>31</td> </tr> <tr> <td>24B «104x27»</td> <td>193</td> <td>58</td> <td>31</td> </tr> </tbody> </table> <p data-bbox="156 1727 580 1765">    NEMA Type 4/6p/12 </p> <ul data-bbox="121 1792 804 1993" style="list-style-type: none"> - Type: HP-HE for harsh environmental requirements and inserts series: S-D, S-DD, S-E, S-ES, S-EP, S-EE, S-EEE, S-HSB, S-K, S-M - Tipo: HP-HE per ambienti aggressivi ed inserti serie: S-D, S-DD, S-E, S-ES, S-EP, S-EE, S-EEE, S-HSB, S-K, S-M - Screw or toggle locking <i>Chiusura a vite o a baionetta</i> - IP68 / IP69 protection degree <i>Grado di protezione IP68 / IP69</i> 	Size Grandezza	A	B	C	6B «44x27»	133	58	31	10B «57x27»	146	58	31	16B «77x27»	165	58	31	24B «104x27»	193	58	31	<p>6B«44x27»</p> <p>10B«57x27»</p> <p>16B«77x27»</p> <p>24B«104x27»</p>	<p>7806.3931.3</p> <p>7810.3932.3</p> <p>7816.3933.3</p> <p>7824.3934.3</p>	<p>7806.3731.3</p> <p>7810.3732.3</p> <p>7816.3733.3</p> <p>7824.3734.3</p>
	Size Grandezza	A	B	C																			
	6B «44x27»	133	58	31																			
	10B «57x27»	146	58	31																			
16B «77x27»	165	58	31																				
24B «104x27»	193	58	31																				



			3 + ⊕ poles complete set Connettori completi con 3 poli + ⊕						 		
Plastic type top entry hood bulkhead housing Custodia ingresso verticale + custodia fissa da incasso tipo plastico			Metal type top entry hood bulkhead housing Custodia ingresso verticale + custodia fissa da incasso tipo metallico			Plastic type top entry hood 90° bulkhead housing Custodia ingresso verticale + custodia da incasso a 90° tipo plastico			Metal type top entry hood 90° bulkhead housing Custodia ingresso verticale + custodia da incasso a 90° tipo metallico		
Cable gland <i>Pressacavo</i> 			Cable gland <i>Pressacavo</i> 			Cable gland <i>Pressacavo</i> 			Cable gland <i>Pressacavo</i> 		
M 20 Pg 11 7000.6839.0 7000.6837.0			M 20 Pg 11 7000.6848.0 7000.6841.0			M 20 Pg 11 7000.6839.0 7000.6837.0			M 20 Pg 11 7000.6848.0 7000.6841.0		
Hood top entry <i>Custodia ingresso verticale</i>  			Hood top entry <i>Custodia ingresso verticale</i>  			Hood top entry <i>Custodia ingresso verticale</i>  			Hood top entry <i>Custodia ingresso verticale</i>  		
M 20 Pg 11 7803.6227.0 7803.6207.0			M 20 Pg 11 7803.6228.0 7803.6208.0			M 20 Pg 11 7803.6227.0 7803.6207.0			M 20 Pg 11 7803.6228.0 7803.6208.0		
Male insert <i>Inserto maschio</i>  			Male insert <i>Inserto maschio</i>  			Male insert <i>Inserto maschio</i>  			Male insert <i>Inserto maschio</i>  		
7203.6101.0			7203.6101.0			7203.6101.0			7203.6101.0		
Female insert <i>Inserto femmina</i>  			Female insert <i>Inserto femmina</i>  			Female insert <i>Inserto femmina</i>  			Female insert <i>Inserto femmina</i>  		
7203.6001.0			7203.6001.0			7203.6001.0			7203.6001.0		
Housing <i>Custodia fissa</i>  			Housing <i>Custodia fissa</i>  			Housing <i>Custodia fissa</i>  			Housing <i>Custodia fissa</i>  		
7803.6201.0			7803.6202.0			7803.6203.0			7803.6204.0		
Thread filetto	Cable gland Pressacavo	Part No. Codice	Thread filetto	Cable gland Pressacavo	Part No. Codice	Thread filetto	Cable gland Pressacavo	Part No. Codice	Thread filetto	Cable gland Pressacavo	Part No. Codice
M 20	no	7903.7742.0	M 20	no	7903.7746.0	M 20	no	7903.7741.0	M 20	no	7903.7745.0
M 20	yes	7903.7742.5	M 20	yes	7903.7746.5	M 20	yes	7903.7741.5	M 20	yes	7903.7745.5
Pg 11	no	7903.6742.0	Pg 11	no	7903.6746.0	Pg 11	no	7903.6741.0	Pg 11	no	7903.6745.0
Pg 11	yes	7903.6742.5	Pg 11	yes	7903.6746.5	Pg 11	yes	7903.6741.5	Pg 11	yes	7903.6745.5

			4 + ⊕ poles complete set Connettori completi con 4 poli + ⊕						 		
Plastic type top entry hood bulkhead housing <i>Custodia ingresso verticale + custodia fissa da incasso tipo plastico</i>			Metal type top entry hood bulkhead housing <i>Custodia ingresso verticale + custodia fissa da incasso tipo metallico</i>			Plastic type top entry hood 90° bulkhead housing <i>Custodia ingresso verticale + custodia da incasso a 90° tipo plastico</i>			Metal type top entry hood 90° bulkhead housing <i>Custodia ingresso verticale + custodia da incasso a 90° tipo metallico</i>		
Cable gland Pressacavo 			Cable gland Pressacavo 			Cable gland Pressacavo 			Cable gland Pressacavo 		
M 20 Pg 11 7000.6839.0 7000.6837.0			M 20 Pg 11 7000.6848.0 7000.6841.0			M 20 Pg 11 7000.6839.0 7000.6837.0			M 20 Pg 11 7000.6848.0 7000.6841.0		
Hood top entry Custodia ingresso verticale 			Hood top entry Custodia ingresso verticale 			Hood top entry Custodia ingresso verticale 			Hood top entry Custodia ingresso verticale 		
M 20 Pg 11 7803.6227.0 7803.6207.0			M 20 Pg 11 7803.6228.0 7803.6208.0			M 20 Pg 11 7803.6227.0 7803.6207.0			M 20 Pg 11 7803.6228.0 7803.6208.0		
Male insert Inserto maschio 			Male insert Inserto maschio 			Male insert Inserto maschio 			Male insert Inserto maschio 		
7204.6102.0			7204.6102.0			7204.6102.0			7204.6102.0		
Female insert Inserto femmina 			Female insert Inserto femmina 			Female insert Inserto femmina 			Female insert Inserto femmina 		
7204.6002.0			7204.6002.0			7204.6002.0			7204.6002.0		
Housing Custodia fissa 			Housing Custodia fissa 			Housing Custodia fissa 			Housing Custodia fissa 		
7803.6201.0			7803.6202.0			7803.6203.0			7803.6204.0		
Thread filetto	Cable gland Pressacavo	Part No. Codice	Thread filetto	Cable gland Pressacavo	Part No. Codice	Thread filetto	Cable gland Pressacavo	Part No. Codice	Thread filetto	Cable gland Pressacavo	Part No. Codice
M 20	no	7904.7744.0	M 20	no	7904.7748.0	M 20	no	7904.7743.0	M 20	no	7904.7747.0
M 20	yes	7904.7744.5	M 20	yes	7904.7748.5	M 20	yes	7904.7743.5	M 20	yes	7904.7747.5
Pg 11	no	7904.6744.0	Pg 11	no	7904.6748.0	Pg 11	no	7904.6743.0	Pg 11	no	7904.6747.0
Pg 11	yes	7904.6744.5	Pg 11	yes	7904.6748.5	Pg 11	yes	7904.6743.5	Pg 11	yes	7904.6747.5


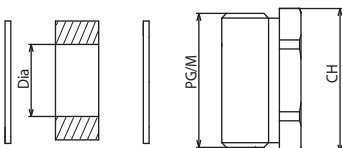
			6 + ⚡ poles complete set Connettori completi con 6 poli + ⚡						 		
Top entry hood + surface mounting housing 1 lever <i>Custodia mobile ingresso verticale + custodia fissa da parete con 1 leva</i>			Top entry hood + bulkhead mounting housing 1 lever <i>Custodia mobile ingresso verticale + custodia fissa da incasso con 1 leva</i>			Side entry hood + surface mounting housing 1 lever <i>Custodia mobile ingresso orizzontale + custodia fissa da parete con 1 leva</i>			Side entry hood + bulkhead mounting housing 1 lever <i>Custodia mobile ingresso orizzontale + custodia fissa da incasso con 1 leva</i>		
Cable gland <i>Pressacavo</i> 			Cable gland <i>Pressacavo</i> 			Cable gland <i>Pressacavo</i> 			Cable gland <i>Pressacavo</i> 		
M 20 Pg 16 7000.6848.0 7000.6843.0			M 20 Pg 16 7000.6848.0 7000.6843.0			M 20 Pg 16 7000.6848.0 7000.6843.0			M 20 Pg 16 7000.6848.0 7000.6843.0		
Hood top entry <i>Custodia ingresso verticale</i>  			Hood top entry <i>Custodia ingresso verticale</i>  			Hood side entry <i>Custodia ingresso orizzontale</i>  			Hood side entry <i>Custodia ingresso orizzontale</i>  		
M 20 Pg 16 7806.6553.0 7806.6504.0			M 20 Pg 16 7806.6553.0 7806.6504.0			M 20 Pg 16 7806.6551.0 7806.6502.0			M 20 Pg 16 7806.6551.0 7806.6502.0		
Male insert screw terminals <i>Inserito maschio, terminali a vite</i>  			Male insert screw terminals <i>Inserito maschio, terminali a vite</i>  			Male insert screw terminals <i>Inserito maschio, terminali a vite</i>  			Male insert screw terminals <i>Inserito maschio, terminali a vite</i>  		
7306.6103.0			7306.6103.0			7306.6103.0			7306.6103.0		
Female insert screw terminal <i>Inserito femmina terminali a vite</i>  			Female insert screw terminal <i>Inserito femmina terminali a vite</i>  			Female insert screw terminal <i>Inserito femmina terminali a vite</i>  			Female insert screw terminal <i>Inserito femmina terminali a vite</i>  		
7306.6003.0			7306.6003.0			7306.6003.0			7306.6003.0		
Housing surface mounting <i>Custodia fissa da parete</i>  			Housing bulkhead mounting <i>Custodia fissa da incasso</i>  			Housing surface mounting <i>Custodia fissa da parete</i>  			Housing bulkhead mounting <i>Custodia fissa da incasso</i>  		
M 20 Pg 16 7806.6351.0 7806.6301.0			7806.6401.0			M 20 Pg 16 7806.6351.0 7806.6301.0			7806.6401.0		
Thread filetto	Cable gland Pressacavo	Part No. Codice	Thread filetto	Cable gland Pressacavo	Part No. Codice	Thread filetto	Cable gland Pressacavo	Part No. Codice	Thread filetto	Cable gland Pressacavo	Part No. Codice
M 20	no	7906.7764.0	M 20	no	7906.7754.0	M 20	no	7906.7759.0	M 20	no	7906.7749.0
M 20	yes	7906.7764.5	M 20	yes	7906.7754.5	M 20	yes	7906.7759.5	M 20	yes	7906.7749.5
Pg 16	no	7906.6764.0	Pg 16	no	7906.6754.0	Pg 16	no	7906.6759.0	Pg 16	no	7906.6749.0
Pg 16	yes	7906.6764.5	Pg 16	yes	7906.6754.5	Pg 16	yes	7906.6759.5	Pg 16	yes	7906.6749.5

			10 + ⊕ poles complete set Connettori completi con 10 poli + ⊕			  					
Top entry hood + surface mounting housing 2 levers <i>Custodia mobile ingresso verticale + custodia fissa da parete con 2 leve</i>			Top entry hood + bulkhead mounting housing 2 levers <i>Custodia mobile ingresso verticale + custodia fissa da incasso con 2 leve</i>			Side entry hood + surface mounting housing 2 levers <i>Custodia mobile ingresso orizzontale + custodia fissa da parete con 2 leve</i>			Side entry hood + bulkhead mounting housing 2 levers <i>Custodia mobile ingresso orizzontale + custodia fissa da incasso con 2 leve</i>		
Cable gland <i>Pressacavo</i> 			Cable gland <i>Pressacavo</i> 			Cable gland <i>Pressacavo</i> 			Cable gland <i>Pressacavo</i> 		
M 20 Pg 16	7000.6848.0 7000.6843.0		M 20 Pg 16	7000.6848.0 7000.6843.0		M 20 Pg 16	7000.6848.0 7000.6843.0		M 20 Pg 16	7000.6848.0 7000.6843.0	
Hood top entry <i>Custodia ingresso verticale</i>  			Hood top entry <i>Custodia ingresso verticale</i>  			Hood side entry <i>Custodia ingresso orizzontale</i>  			Hood side entry <i>Custodia ingresso orizzontale</i>  		
M 20 Pg 16	7810.6570.0 7810.6520.0		M 20 Pg 16	7810.6570.0 7810.6520.0		M 20 Pg 16	7810.6569.0 7810.6519.0		M 20 Pg 16	7810.6569.0 7810.6519.0	
Male insert screw terminals <i>Inserto maschio terminali a vite</i>  			Male insert screw terminals <i>Inserto maschio terminali a vite</i>  			Male insert screw terminals <i>Inserto maschio terminali a vite</i>  			Male insert screw terminals <i>Inserto maschio terminali a vite</i>  		
	7310.6104.0			7310.6104.0			7310.6104.0			7310.6104.0	
Female insert screw terminals <i>Inserto femmina terminali a vite</i>  			Female insert screw terminals <i>Inserto femmina terminali a vite</i>  			Female insert screw terminals <i>Inserto femmina terminali a vite</i>  			Female insert screw terminals <i>Inserto femmina terminali a vite</i>  		
	7310.6004.0			7310.6004.0			7310.6004.0			7310.6004.0	
Housing surface mounting <i>Custodia fissa da parete</i>  			Housing bulkhead mounting <i>Custodia fissa da incasso</i>  			Housing surface mounting <i>Custodia fissa da parete</i>  			Housing bulkhead mounting <i>Custodia fissa da incasso</i>  		
M 20 Pg 16	7810.6372.0 7810.6322.0			7810.6412.0		M 20 Pg 16	7810.6372.0 7810.6322.0			7810.6412.0	
Thread filetto	Cable gland Pressacavo	Part No. Codice	Thread filetto	Cable gland Pressacavo	Part No. Codice	Thread filetto	Cable gland Pressacavo	Part No. Codice	Thread filetto	Cable gland Pressacavo	Part No. Codice
M 20	no	7910.7765.0	M 20	no	7910.7755.0	M 20	no	7910.7760.0	M 20	no	7910.7750.0
M 20	yes	7910.7765.5	M 20	yes	7910.7755.5	M 20	yes	7910.7760.5	M 20	yes	7910.7750.5
Pg 16	no	7910.6765.0	Pg 16	no	7910.6755.0	Pg 16	no	7910.6760.0	Pg 16	no	7910.6750.0
Pg 16	yes	7910.6765.5	Pg 16	yes	7910.6755.5	Pg 16	yes	7910.6760.5	Pg 16	yes	7910.6750.5

			16 + ⊕ poles complete set Connettori completi con 16 poli + ⊕						 		
Top entry hood + surface mounting housing 2 levers <i>Custodia mobile ingresso verticale + custodia fissa da parete con 2 leve</i>			Top entry hood + bulkhead mounting housing 2 levers <i>Custodia mobile ingresso verticale + custodia fissa da incasso con 2 leve</i>			Side entry hood + surface mounting housing 2 levers <i>Custodia mobile ingresso orizzontale + custodia fissa da parete con 2 leve</i>			Side entry hood + bulkhead mounting housing 2 levers <i>Custodia mobile ingresso orizzontale + custodia fissa da incasso con 2 leve</i>		
Cable gland <i>Pressacavo</i> 			Cable gland <i>Pressacavo</i> 			Cable gland <i>Pressacavo</i> 			Cable gland <i>Pressacavo</i> 		
M 25 Pg 21 7000.6849.0 7000.6844.0			M 25 Pg 21 7000.6849.0 7000.6844.0			M 25 Pg 21 7000.6849.0 7000.6844.0			M 25 Pg 21 7000.6849.0 7000.6844.0		
Hood top entry <i>Custodia ingresso verticale</i>  			Hood top entry <i>Custodia ingresso verticale</i>  			Hood side entry <i>Custodia ingresso orizzontale</i>  			Hood side entry <i>Custodia ingresso orizzontale</i>  		
M 25 Pg 21 7816.6572.0 7816.6522.0			M 25 Pg 21 7816.6572.0 7816.6522.0			M 25 Pg 21 7816.6571.0 7816.6521.0			M 25 Pg 21 7816.6571.0 7816.6521.0		
Male insert screw terminals <i>Inserito maschio terminali a vite</i>  			Male insert screw terminals <i>Inserito maschio terminali a vite</i>  			Male insert screw terminals <i>Inserito maschio terminali a vite</i>  			Male insert screw terminals <i>Inserito maschio terminali a vite</i>  		
7316.6105.0			7316.6105.0			7316.6105.0			7316.6105.0		
Female insert screw terminals <i>Inserito femmina terminali a vite</i>  			Female insert screw terminals <i>Inserito femmina terminali a vite</i>  			Female insert screw terminals <i>Inserito femmina terminali a vite</i>  			Female insert screw terminals <i>Inserito femmina terminali a vite</i>  		
7316.6005.0			7316.6005.0			7316.6005.0			7316.6005.0		
Housing surface mounting <i>Custodia fissa da parete</i>  			Housing bulkhead mounting <i>Custodia fissa da incasso</i>  			Housing surface mounting <i>Custodia fissa da parete</i>  			Housing bulkhead mounting <i>Custodia fissa da incasso</i>  		
M 25 Pg 21 7816.6374.0 7816.6324.0			7816.6413.0			M 25 Pg 21 7816.6374.0 7816.6324.0			7816.6413.0		
Thread filetto	Cable gland Pressacavo	Part No. Codice	Thread filetto	Cable gland Pressacavo	Part No. Codice	Thread filetto	Cable gland Pressacavo	Part No. Codice	Thread filetto	Cable gland Pressacavo	Part No. Codice
M 25	no	7916.7766.0	M 25	no	7916.7756.0	M 25	no	7916.7761.0	M 25	no	7916.7751.0
M 25	yes	7916.7766.5	M 25	yes	7916.7756.5	M 25	yes	7916.7761.5	M 25	yes	7916.7751.5
Pg 21	no	7916.6766.0	Pg 21	no	7916.6756.0	Pg 21	no	7916.6761.0	Pg 21	no	7916.6751.0
Pg 21	yes	7916.6766.5	Pg 21	yes	7916.6756.5	Pg 21	yes	7916.6761.5	Pg 21	yes	7916.6751.5

			24 + ⊕ poles complete set Connettori completi con 24 poli + ⊕			  					
Top entry hood + surface mounting housing 2 levers <i>Custodia mobile ingresso verticale + custodia fissa da parete con 2 leve</i>			Top entry hood + bulkhead mounting housing 2 levers <i>Custodia mobile ingresso verticale + custodia fissa da incasso con 2 leve</i>			Side entry hood + surface mounting housing 2 levers <i>Custodia mobile ingresso orizzontale + custodia fissa da parete con 2 leve</i>			Side entry hood + bulkhead mounting housing 2 levers <i>Custodia mobile ingresso orizzontale + custodia fissa da incasso con 2 leve</i>		
Cable gland <i>Pressacavo</i> 			Cable gland <i>Pressacavo</i> 			Cable gland <i>Pressacavo</i> 			Cable gland <i>Pressacavo</i> 		
M 25 7000.6849.0 Pg 21 7000.6844.0			M 25 7000.6849.0 Pg 21 7000.6844.0			M 25 7000.6849.0 Pg 21 7000.6844.0			M 25 7000.6849.0 Pg 21 7000.6844.0		
Hood top entry <i>Custodia ingresso verticale</i> 			Hood top entry <i>Custodia ingresso verticale</i> 			Hood side entry <i>Custodia ingresso orizzontale</i> 			Hood side entry <i>Custodia ingresso orizzontale</i> 		
M 25 7824.6574.0 Pg 21 7824.6524.0			M 25 7824.6574.0 Pg 21 7824.6524.0			M 25 7824.6573.0 Pg 21 7824.6523.0			M 25 7824.6573.0 Pg 21 7824.6523.0		
Male insert screw terminals <i>Inserito maschio terminali a vite</i> 			Male insert screw terminals <i>Inserito maschio terminali a vite</i> 			Male insert screw terminals <i>Inserito maschio terminali a vite</i> 			Male insert screw terminals <i>Inserito maschio terminali a vite</i> 		
7324.6107.0			7324.6107.0			7324.6107.0			7324.6107.0		
Female insert screw terminals <i>Inserito femmina terminali a vite</i> 			Female insert screw terminals <i>Inserito femmina terminali a vite</i> 			Female insert screw terminals <i>Inserito femmina terminali a vite</i> 			Female insert screw terminals <i>Inserito femmina terminali a vite</i> 		
7324.6007.0			7324.6007.0			7324.6007.0			7324.6007.0		
Housing surface mounting <i>Custodia fissa da parete</i> 			Housing bulkhead mounting <i>Custodia fissa da incasso</i> 			Housing surface mounting <i>Custodia fissa da parete</i> 			Housing bulkhead mounting <i>Custodia fissa da incasso</i> 		
M 25 7824.6376.0 Pg 21 7824.6326.0			7824.6414.0			M 25 7824.6376.0 Pg 21 7824.6326.0			7824.6414.0		
Thread filetto	Cable gland Pressacavo	Part No. Codice	Thread filetto	Cable gland Pressacavo	Part No. Codice	Thread filetto	Cable gland Pressacavo	Part No. Codice	Thread filetto	Cable gland Pressacavo	Part No. Codice
M 25	no	7924.7767.0	M 25	no	7924.7757.0	M 25	no	7924.7762.0	M 25	no	7924.7752.0
M 25	yes	7924.7767.5	M 25	yes	7924.7757.5	M 25	yes	7924.7762.5	M 25	yes	7924.7752.5
Pg 21	no	7924.6767.0	Pg 21	no	7924.6757.0	Pg 21	no	7924.6762.0	Pg 21	no	7924.6752.0
Pg 21	yes	7924.6767.5	Pg 21	yes	7924.6757.5	Pg 21	yes	7924.6762.5	Pg 21	yes	7924.6752.5

			32 + ⊕ poles complete set Connettori completi con 32 poli + ⊕						 		
Top entry hood + surface mounting housing 2 levers <i>Custodia mobile ingresso verticale + custodia fissa da parete con 2 leve</i>			Top entry hood + bulkhead mounting housing 2 levers <i>Custodia mobile ingresso verticale + custodia fissa da incasso con 2 leve</i>			Side entry hood + surface mounting housing 2 levers <i>Custodia mobile ingresso orizzontale + custodia fissa da parete con 2 leve</i>			Side entry hood + bulkhead mounting housing 2 levers <i>Custodia mobile ingresso orizzontale + custodia fissa da incasso con 2 leve</i>		
Cable gland <i>Pressacavo</i> 			Cable gland <i>Pressacavo</i> 			Cable gland <i>Pressacavo</i> 			Cable gland <i>Pressacavo</i> 		
M 50 Pg 36	7000.6852.0 7000.6846.0		M 50 Pg 36	7000.6852.0 7000.6846.0		M 50 Pg 36	7000.6852.0 7000.6846.0		M 50 Pg 36	7000.6852.0 7000.6846.0	
Hood top entry <i>Custodia ingresso verticale</i> 			Hood top entry <i>Custodia ingresso verticale</i> 			Hood side entry <i>Custodia ingresso orizzontale</i> 			Hood side entry <i>Custodia ingresso orizzontale</i> 		
M 50 Pg 36	7832.6580.0 7832.6529.0		M 50 Pg 36	7832.6580.0 7832.6529.0		M 50 Pg 36	7832.6577.0 7832.6526.0		M 50 Pg 36	7832.6577.0 7832.6526.0	
Male insert screw terminals <i>Inserto maschio terminali a vite</i> 			Male insert screw terminals <i>Inserto maschio terminali a vite</i> 			Male insert screw terminals <i>Inserto maschio terminali a vite</i> 			Male insert screw terminals <i>Inserto maschio terminali a vite</i> 		
1 - 16 17 - 32	7316.6105.0 7316.6106.0		1 - 16 17 - 32	7316.6105.0 7316.6106.0		1 - 16 17 - 32	7316.6105.0 7316.6106.0		1 - 16 17 - 32	7316.6105.0 7316.6106.0	
Female insert screw terminals <i>Inserto femmina terminali a vite</i> 			Female insert screw terminals <i>Inserto femmina terminali a vite</i> 			Female insert screw terminals <i>Inserto femmina terminali a vite</i> 			Female insert screw terminals <i>Inserto femmina terminali a vite</i> 		
1 - 16 17 - 32	7316.6005.0 7316.6006.0		1 - 16 17 - 32	7316.6005.0 7316.6006.0		1 - 16 17 - 32	7316.6005.0 7316.6006.0		1 - 16 17 - 32	7316.6005.0 7316.6006.0	
Housing surface mounting <i>Custodia fissa da parete</i> 			Housing bulkhead mounting <i>Custodia fissa da incasso</i> 			Housing surface mounting <i>Custodia fissa da parete</i> 			Housing bulkhead mounting <i>Custodia fissa da incasso</i> 		
M 50 Pg 36	7832.6378.0 7832.6328.0		7832.6415.0		M 50 Pg 36	7832.6378.0 7832.6328.0		7832.6415.0		7832.6415.0	
Thread filetto	Cable gland Pressacavo	Part No. Codice	Thread filetto	Cable gland Pressacavo	Part No. Codice	Thread filetto	Cable gland Pressacavo	Part No. Codice	Thread filetto	Cable gland Pressacavo	Part No. Codice
M 50	no	7932.7768.0	M 50	no	7932.7758.0	M 50	no	7932.7763.0	M 50	no	7932.7753.0
M 50	yes	7932.7768.5	M 50	yes	7932.7758.5	M 50	yes	7932.7763.5	M 50	yes	7932.7753.5
Pg 36	no	7932.6768.0	Pg 36	no	7932.6758.0	Pg 36	no	7932.6763.0	Pg 36	no	7932.6753.0
Pg 36	yes	7932.6768.5	Pg 36	yes	7932.6758.5	Pg 36	yes	7932.6763.5	Pg 36	yes	7932.6753.5

Metal type <i>Tipo metallico</i>	No. of gaskets <i>No.guarnizioni</i>	Internal dia of gasket <i>Dia. interno guarnizione mm</i>	Cable dia mm <i>Dia. cavo mm</i>	Spanner <i>Chiave</i>	Thread <i>Filettatura</i>	Part No. <i>Codice</i>
 	4	4 - 7 - 10 - 13	3.5 - 12.5	20	M 20x1,5	7000.6848.0
	4	8.5 - 11.5 - 14.5 - 17.5	8 - 17	25	M 25x1,5	7000.6849.0
	4	16 - 19 - 22 - 25	15.5 - 24.5	32	M 32x1,5	7000.6850.0
	4	23 - 26 - 29 - 32	22.5 - 31.5	40	M 40x1,5	7000.6851.0
	4	30 - 33 - 36 - 39	29.5 - 38.5	50	M 50x1,5	7000.6852.0
	3	7.5 - 10 - 12.5	7 - 12	18	Pg 11	7000.6841.0
	3	7.5 - 10 - 12.5	7 - 12	20	Pg 13.5	7000.6842.0
	4	7.5 - 10 - 12.5 - 15	7 - 14.5	22	Pg 16	7000.6843.0
	4	10 - 13 - 16 - 19	9.5 - 18.5	28	Pg 21	7000.6844.0
	4	18 - 21 - 24 - 27	17.5 - 26.5	37	Pg 29	7000.6845.0
	4	24 - 27 - 30 - 33	23.5 - 32.5	47	Pg 36	7000.6846.0
	4	30 - 33 - 36 - 35	29.5 - 38.5	54	Pg 42	7000.6847.0

Technical characteristics

Caratteristiche tecniche



Thread:

Metric 1.5 pitch in accordance with EN 50262
Pg in accordance with DIN 40430

IP Protection:

IP66 in accordance with EN 60529

Working temperature:

-40°C ÷ + 125°C

Materials:

Body: Nickel-plated brass
Washer: Zinc-plated steel
Gasket: Elastomer

Applications:

For enclosures size A and B metal type

The cable glands are available with a set of gaskets to be able to lock a wide range of cables with different diameter



Filettature:

Metriche passo 1,5 secondo EN 50262
Pg secondo DIN 40430

Grado di protezione IP:

IP66 secondo EN 60529

Limiti di temperatura:

-40°C ÷ + 125°C


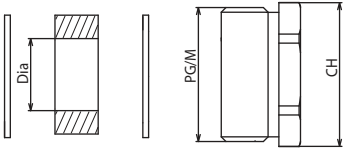
Materiali:

Corpo: Ottone nichelato
Ranella: Acciaio zincato
Guarnizione: Elastomero


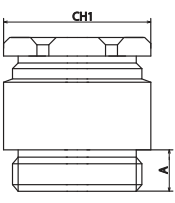
Applicazioni:

Per custodie metalliche mobili o fisse grandezza A e B

I pressacavi sono forniti di un set di guarnizioni in grado di bloccare una larga gamma di cavi con diametro differente


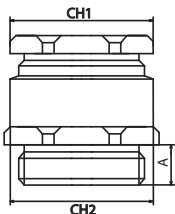
Plastic type <i>Tipo plastico</i>	Color <i>Colore</i>	No. of gasket <i>No.guarnizioni</i>	Internal dia of gasket <i>Dia. interno guarnizione mm</i>	Cable dia mm <i>Dia. filo mm</i>	Spanner <i>Chiave</i>	Thread <i>Filettatura</i>	Part No. <i>Codice</i>
 	Grey <i>Grigio</i>	4	4 - 7 - 10 - 13	3.5 - 12.5	20	M 20x1,5	7000.6839.0
	Black <i>Nero</i>	4	4 - 7 - 10 - 13	3.5 - 12.5	20	M 20x1,5	7000.6839.1
	Grey <i>Grigio</i>	3	7.5 - 10 - 12.5	7 - 12	19	Pg 11	7000.6837.0
	Black <i>Nero</i>	3	7.5 - 10 - 12.5	7 - 12	19	Pg 11	7000.6837.1

Technical characteristics	Caratteristiche tecniche
<p>CE (RoHS)</p> <p>Thread:</p> <p>Metric 1.5 pitch in accordance with EN 50262 Pg in accordance with DIN 40430</p> <p>IP Protection:</p> <p>IP66 in accordance with EN 60529</p> <p>Working temperature:</p> <p>-40°C + + 125°C</p> <p>Materials:</p> <p>Body: Pa 66 G.F. UL94 V-0 Washer: Zinc-plated steel Gasket: Elastomer</p> <p>Applications:</p> <p>For plastic enclosures size 3A «21x21»</p> <p>The cable glands are available with a set of gaskets to be able to lock a wide range of cables with different diameter</p>	<p>CE (RoHS)</p> <p>Filettatura:</p> <p>Metriche passo 1,5 secondo EN 50262 Pg secondo DIN 40430</p> <p>Grado di protezione IP:</p> <p>IP66 secondo EN 60529</p> <p>Limiti di temperature:</p> <p>-40°C + + 125°C</p> <p>Materiali:</p> <p>Corpo: Pa 66 G.F. UL94 V-0 Ranella: Acciaio zincato Guarnizione: Elastomero</p> <p>Applicazioni:</p> <p>Per custodie plastiche grandezza 3A «21x21»</p> <p>I pressacavi sono forniti di un set di guarnizioni in grado di bloccare una larga gamma di cavi con diametro differente</p>

With cylindrical body <i>Con corpo cilindrico</i>	Panel drilling <i>Foratura pannello</i>	CH1	"A"	Cable Dia <i>Cavo Dia</i>	Thread <i>Filettatura</i>	Part No. <i>Codice</i>
 	12.5	13	7.00	5 - 7	M 12x1,5	7000.7710.0
	16.5	16	7.00	4 - 9.5	M 16x1,5	7000.7711.0
	20.5	22	7.00	6 - 13	M 20x1,5	7000.7712.0
	25.5	23	8.00	6 - 15	M 25x1,5	7000.7713.0
	32.5	28	8.50	9 - 20	M 32x1,5	7000.7714.0
	40.5	37	8.50	15 - 27	M 40x1,5	7000.7715.0
	50.5	47	9.50	21 - 33	M 50x1,5	7000.7716.0
	63.5	60	10.50	30 - 45	M 63x1,5	7000.7717.0
	15.4	16	6.00	4 - 9.5	Pg 9	7000.7701.0
	18.8	20	6.00	4 - 11	Pg 11	7000.7702.0
	20.7	22	6.50	6 - 13	Pg 13.5	7000.7703.0
	22.8	23	6.50	6 - 15	Pg 16	7000.7704.0
	28.6	28	7.00	9 - 20	Pg 21	7000.7705.0
	37.4	37	8.00	15 - 27	Pg 29	7000.7706.0
	47.5	47	9.00	21 - 33	Pg 36	7000.7707.0
	54.5	54	10.00	27 - 40	Pg 42	7000.7708.0
	59.8	60	10.00	30 - 45	Pg 48	7000.7709.0

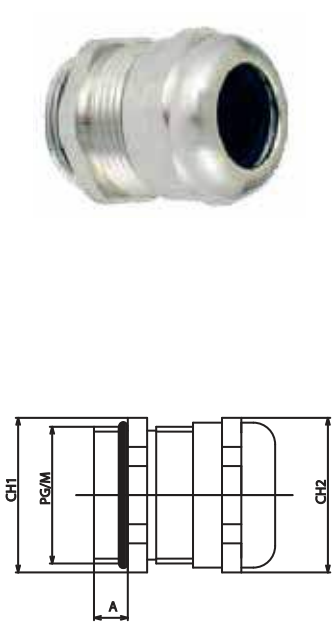
Longer thread length "A" on demand
Con filettatura più lunga "A" su richiesta

Technical characteristics	Caratteristiche tecniche
<p>CE RoHS</p> <p>Thread:</p> <p>Metric 1.5 pitch in accordance with EN 50262 Pg in accordance with DIN 40430</p> <p>IP Protection:</p> <p>IP65 in accordance with EN 60529</p> <p>Working temperature:</p> <p>-30°C + + 125°C</p> <p>Materials:</p> <p>Body: Nickel-plated brass Washer: Zinc-plated steel Gasket: Elastomer</p> <p>With multilayer gasket</p> <p>Applications:</p> <p>For any sealed enclosures and boxes to protect parts, mechanisms and equipments from atmospheric agents</p>	<p>CE RoHS</p> <p>Filettatura:</p> <p>Metriche passo 1,5 secondo EN 50262 Pg secondo DIN 40430</p> <p>Grado di protezione IP:</p> <p>IP65 secondo EN 60529</p> <p>Limiti di temperatura:</p> <p>-30°C + + 125°C</p> <p>Materiali:</p> <p>Corpo: Ottone nichelato Ranella: Acciaio zincato Guarnizione: Elastomero</p> <p>Con guarnizione settoriale</p> <p>Applicazioni:</p> <p>Per custodie, contenitori e cassette utilizzabili per proteggere meccanismi ed apparati dagli agenti atmosferici</p>

With cylindrical body + hexagonal part <i>Con corpo cilindrico + parte esagonale</i>	Panel drilling <i>Foratura pannello</i>	Spanner <i>Chiave</i>		"A"	Cable Dia <i>Cavo Dia</i>	Thread <i>Filettatura</i>	Part No. <i>Codice</i>
		CH1	CH2				
  Longer thread length "A" on demand Con filettatura più lunga "A" su richiesta With multilayer gasket Con guarnizione settoriale	12.5	13	14	7.00	5 - 7	M 12x1,5	7000.7730.0
	16.5	16	18	7.00	4 - 9.5	M 16x1,5	7000.7731.0
	20.5	22	22	7.00	6 - 13	M 20x1,5	7000.7732.0
	25.5	23	27	8.00	6 - 15	M 25x1,5	7000.7733.0
	32.5	28	33	8.50	9 - 20	M 32x1,5	7000.7734.0
	40.5	37	41	8.50	15 - 27	M 40x1,5	7000.7735.0
	50.5	47	51	9.50	21 - 33	M 50x1,5	7000.7736.0
	63.5	60	65	10.50	27 - 40	M 63x1,5	7000.7737.0
	15.4	16	18	6.00	4 - 9.5	Pg 9	7000.7721.0
	18.8	20	20	6.00	4 - 11	Pg 11	7000.7722.0
	20.7	22	22	6.50	6 - 13	Pg 13.5	7000.7723.0
	22.8	23	24	6.50	6 - 15	Pg 16	7000.7724.0
	28.6	28	30	7.00	9 - 20	Pg 21	7000.7725.0
	37.4	37	40	8.00	15 - 27	Pg 29	7000.7726.0
	47.5	47	50	9.00	21 - 33	Pg 36	7000.7727.0
	54.5	54	57	10.00	27 - 40	Pg 42	7000.7728.0
	59.8	60	64	10.00	30 - 45	Pg 48	7000.7729.0

Technical characteristics	Caratteristiche tecniche
---------------------------	--------------------------

<p>CE RoHS</p> <p>Thread:</p> <p>Metric 1.5 pitch in accordance with EN 50262 Pg in accordance with DIN 40430</p> <p>IP Protection:</p> <p>IP65 in accordance with EN 60529</p> <p>Working temperature:</p> <p>-30°C + + 125°C</p> <p>Materials:</p> <p>Body: Nickel-plated brass Washer: Zinc-plated steel Gasket: Elastomer</p> <p>With multilayer gasket</p> <p>Applications:</p> <p>For any sealed enclosures and boxes to protect parts, mechanism and equipments from atmospheric agents</p>	<p>CE RoHS</p> <p>Filettatura:</p> <p>Metriche passo 1,5 secondo EN 50262 Pg secondo DIN 40430</p> <p>Grado di protezione IP:</p> <p>IP65 secondo EN 60529</p> <p>Limiti di temperatura:</p> <p>-30°C + + 125°C</p> <p>Materiali:</p> <p>Corpo: Ottone nichelato Ranella: Acciaio zincato Guarnizione: Elastomero</p> <p>Con guarnizione settoriale</p> <p>Applicazioni:</p> <p>Per custodie, contenitori e cassette utilizzabili per proteggere meccanismi ed apparati dagli agenti atmosferici</p>
---	---

Technical characteristics <i>Caratteristiche tecniche</i>	A	Spanner <i>Chiave</i>		Panel drilling <i>Foratura pannello</i>	Cable Dia <i>Cavo Dia</i>	Thread <i>Filettatura</i>	Part No. <i>Codice</i>
		CH1	CH2				
	6	20	20	16.5	4 - 10	M 16x1,5	7000.6896.0
	6.5	24	24	20.5	6 - 14	M 20x1,5	7000.6831.0
	7	30	30	25.5	11 - 18	M 25x1,5	7000.6832.0
	8	36	36	32.5	14 - 21	M 32x1,5	7000.6833.0
	9	46	46	40.5	19 - 28	M 40x1,5	7000.6834.0
	9	55	55	50.5	24 - 38	M 50x1,5	7000.6835.0
	6	20	20	18,8	4 - 10	Pg 11	7000.6825.0
	6.5	22	22	20.7	5 - 12	Pg 13.5	7000.6826.0
	6.5	24	24	22,8	8 - 14	Pg 16	7000.6827.0
	7	30	30	28.6	11 - 18	Pg 21	7000.6828.0
	8	40	40	37.4	16 - 25	Pg 29	7000.6829.0
	9	50	50	47.5	19 - 36	Pg 36	7000.6830.0
	9	60	60	54.5	30 - 38	Pg 42	7000.6897.0

Technical characteristics	<i>Caratteristiche tecniche</i>
---------------------------	---------------------------------

CE **RoHS**

Thread:
 Metric 1.5 pitch in accordance with EN 50262
 Pg in accordance with DIN 40430

IP Protection:
 IP68 - 5 bar
 Special desing patented for application up to 5 bar

Working temperature:
 -40°C ++ 125°C

Materials:
 Body: Nickel-plated brass
 Strain relief: Pa 66 UL94 V-0
 Gasket: Elastomer

Remark:
 The cable gland for Pg 36, 7000.6830.0. is provided with 2 gaskets to cover diameters 19-27mm and 27-36mm

Applications:
 For industrial connectors hoods/housings where higher protection and pulling strength are required. For sealed enclosures and boxes.

CE **RoHS**

Filettatura:
 Metriche passo 1,5 secondo EN 50262
 Pg secondo DIN 40430


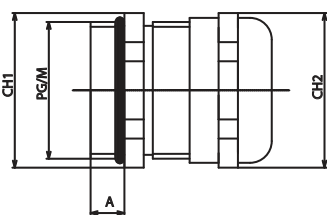
Grado di protezione IP:
 IP68 - 5 bar
 Modello depositato per applicazioni fino a 5 bar

Limiti di temperature:
 -40°C ++ 125°C

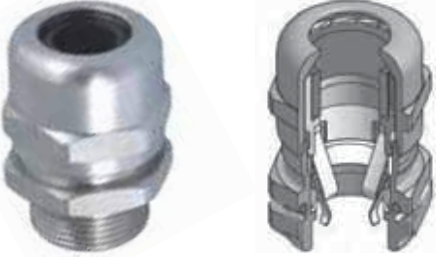
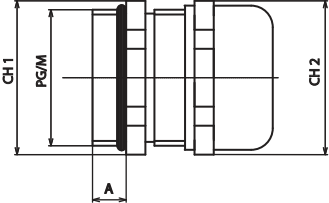
Materiali:
 Corpo: Ottone nichelato
 Fermacavo: Pa 66 UL94 V-0
 Guarnizione: Elastomero

Attenzione:
 Il pressacavo Pg 36, 7000.6830.0. è fornito di 2 guarnizioni per essere utilizzato con cavi di diametro 19-27mm e 27-36mm


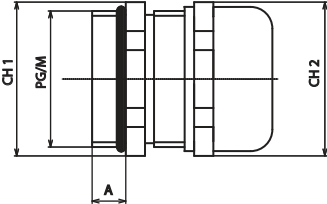
Applicazioni:
 Per le custodie dei connettori industriali dove è richiesta un'alta protezione e tenuta allo strappo. Per custodie e scatole stagne.

Technical characteristics <i>Caratteristiche tecniche</i>	A	Spanner <i>Chiave</i>		Panel drilling <i>Foratura pannello</i>	Cable Dia <i>Cavo Dia</i>	Thread <i>Filettatura</i>	Part No. <i>Codice</i>
		CH1	CH2				
 	6	14	14	12.5	3 - 6	M 12x1,5	7000.6899.3
	6	17	17	16.5	5 - 9	M 16x1,5	7000.6896.3
	8	22	22	20.5	9 - 13	M 20x1,5	7000.6831.3
	8	27	27	25.5	11 - 16	M 25x1,5	7000.6832.3
	8	34	34	32.5	14 - 21	M 32x1,5	7000.6833.3
	9	43	43	40.5	19 - 27	M 40x1,5	7000.6834.3
	9	55	55	50.5	24 - 35	M 50x1,5	7000.6835.3
	12	68	68	63.5	38 - 48	M 63x1,5	7000.6836.3
	6	14	14	12.7	3 - 6,5	Pg 7	7000.6900.3
	6	17	17	15.4	4 - 8	Pg 9	7000.6901.3
	6	20	20	18,8	6 - 10	Pg 11	7000.6825.3
	8	22	22	20.7	6 - 12	Pg 13.5	7000.6826.3
	6,5	24	24	22,8	10 - 13	Pg 16	7000.6827.3
	7,5	30	30	28.6	14 - 18	Pg 21	7000.6828.3
	8	40	40	37.4	20 - 25	Pg 29	7000.6829.3
	8	50	50	47.5	22 - 32	Pg 36	7000.6830.3
	12	58	58	54.5	32 - 38	Pg 42	7000.6897.3
	12	64	64	59.8	37 - 44	Pg 48	7000.6898.3


Technical characteristics	<i>Caratteristiche tecniche</i>
<p>CE RoHS</p> <p>Thread: Metric 1.5 pitch in accordance with EN 50262 Pg in accordance with DIN 40430</p> <p>IP Protection: IP68 in accordance with EN 60529</p> <p>Working temperature: -40°C ÷ + 125°C</p> <p>Materials: Body: Nickel-plated brass Strain relief: Pa 66 UL94 V-0 Gasket: Elastomer</p> <p>Applications: For industrial connectors hoods/housings where higher protection and pulling strength are required. For sealed enclosures and boxes.</p>	<p>CE RoHS</p> <p>Filettatura: Metriche passo 1,5 secondo EN 50262 Pg secondo DIN 40430</p> <p>Grado di protezione IP: IP68 secondo EN 60529</p> <p>Limiti di temperatura: -40°C ÷ + 125°C</p> <p>Materiali: Corpo: Ottone nichelato Fermacavo: Pa 66 UL94 V-0 Guarnizione: Elastomero</p> <p>Applicazioni: Per le custodie dei connettori industriali dove è richiesta un'alta protezione e tenuta allo strappo. Per custodie e cassette stagne.</p>

Technical characteristics <i>Caratteristiche tecniche</i>	A	Spanner <i>Chiave</i>		Minimum shield Dia <i>Dia minimo dello schermo</i>	Cable Dia <i>Cavo Dia</i>	Thread <i>Filettatura</i>	Part No. <i>Codice</i>
		CH1	CH2				
 	6.5	14	14	2.5	3 - 6	M 12x1,5	7000.7332.0
	8.0	18	18	3.0	4 - 8	M 16x1,5	7000.7333.0
	8.0	22	22	4.5	8 - 12	M 20x1,5	7000.7334.0
	8.9	27	27	10.5	8 - 14	M 25x1,5	7000.7335.0
	10.0	35	35	14.0	15 - 20	M 32x1,5	7000.7336.0
	12.0	45	45	20.0	22 - 28	M 40x1,5	7000.7337.0
	12.5	57	57	20.0	28 - 36	M 50x1,5	7000.7338.0
	6.5	14	14	2.5	3 - 6	Pg 7	7000.7340.0
	8.0	18	18	3.0	4 - 8	Pg 9	7000.7341.0
	8.0	20	20	4.0	6 - 10	Pg 11	7000.7342.0
	8.0	22	22	5.0	8 - 12	Pg 13.5	7000.7343.0
	8.9	24	24	8.5	8 - 14	Pg 16	7000.7344.0
	9.0	30	28	11.0	13 - 18	Pg 21	7000.7345.0
	10.8	40	40	16.0	18 - 25	Pg 29	7000.7346.0
	13.0	50	50	20.0	25 - 32	Pg 36	7000.7347.0
	12.5	57	57	28.0	32 - 38	Pg 42	7000.7348.0


Technical characteristics	<i>Caratteristiche tecniche</i>
<p>CE RoHS</p> <p>Thread: Metric 1.5 pitch in accordance with EN 50262 Pg in accordance with DIN 40430</p> <p>IP Protection: IP68 in accordance with EN 60529</p> <p>Working temperature: -40°C ++ 125°C</p> <p>Materials: Body: Nickel-plated brass Strain relief: Pa 66 UL94 V-0 Gasket: Elastomer Spring: High elasticity copper alloy</p> <p>Applications: Where Electromagnetic Compatibility is required. For industrial connectors hoods/housings where higher protection and pulling strength are required. For sealed enclosures and boxes.</p>	<p>CE RoHS</p> <p>Filettatura: Metriche passo 1,5 secondo EN 50262 Pg secondo DIN 40430</p> <p>Grado di protezione IP: IP68 secondo EN 60529</p> <p>Limiti di temperatura: -40°C ++ 125°C</p> <p>Materiali: Corpo: Ottone nichelato Fermacavo: Pa 66 UL94 V-0 Guarnizione: Elastomero Molla: Lega di rame ad alta elasticità</p> <p>Applicazioni: Dove è richiesta la compatibilità elettromagnetica. Per le custodie dei connettori industriali dove è richiesta un'alta protezione e tenuta allo strappo. Per custodie e cassette stagne. Dove è richiesta la compatibilità elettromagnetica</p>

Technical characteristics <i>Caratteristiche tecniche</i>	A	Spanner <i>Chiave</i>		Panel drilling <i>Foratura pannello</i>	Cable Dia <i>Cavo Dia</i>	Thread <i>Filettatura</i>	Part No. <i>Codice</i>
		CH1	CH2				
 	5.0	14	14	12.5	3 - 6	M 12x1,5	7000.7384.0
	6.0	17	17	16.5	5 - 9	M 16x1,5	7000.7385.0
	6.5	22	22	20.5	9 - 13	M 20x1,5	7000.7386.0
	6.5	27	27	25.5	11 - 16	M 25x1,5	7000.7387.0
	8.0	37	37	32.5	14 - 21	M 32x1,5	7000.7388.0
	8.0	46	46	40.5	19 - 27	M 40x1,5	7000.7389.0
	10	57	57	50.5	24 - 35	M 50x1,5	7000.7390.0
	10	66	66	63.5	38 - 48	M 63x1,5	7000.7391.0
	5.0	14	14	12.7	3 - 6.5	Pg 7	7000.7393.0
	6.0	17	17	15.4	4 - 8	Pg 9	7000.7394.0
	6.0	20	20	18,8	6 - 10	Pg 11	7000.7395.0
	6.5	22	22	20.7	6 - 12	Pg 13.5	7000.7396.0
	6,5	24	24	22,8	10 - 13	Pg 16	7000.7397.0
	7.0	30	30	28.6	14 - 18	Pg 21	7000.7398.0
	8.0	40	40	37.4	20 - 25	Pg 29	7000.7399.0
	9.0	50	50	47.5	22 - 32	Pg 36	7000.7400.0
	10	57	57	54.5	32 - 38	Pg 42	7000.7401.0
	10	66	66	59.8	37 - 44	Pg 48	7000.7402.0

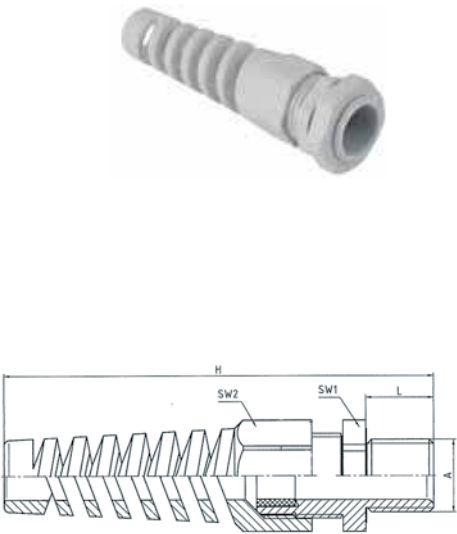
Technical characteristics	<i>Caratteristiche tecniche</i>
<p>CE RoHS</p> <p>Thread: Metric 1.5 pitch in accordance with EN 50262 Pg in accordance with DIN 40430</p> <p>IP Protection: IP68 in accordance with EN 60529</p> <p>Working temperature: -40°C + + 125°C</p> <p>Materials: Body: Stainless steel Strain relief: Pa 66 UL94 V-0 Gasket: Elastomer</p> <p>Applications: For industrial connectors hoods/housings where higher protection and pulling strength are required. For sealed enclosures and boxes.</p>	<p>CE RoHS</p> <p>Filettatura: <i>Metriche passo 1,5 secondo EN 50262 Pg secondo DIN 40430</i></p> <p>Grado di protezione IP: <i>IP68 secondo EN 60529</i></p> <p>Limiti di temperatura: <i>-40°C + + 125°C</i></p> <p>Materiali: Corpo: Acciaio inox Fermacavo: Pa 66 UL94 V-0 Guarnizione: Elastomero</p> <p>Applicazioni: <i>Per le custodie dei connettori industriali dove è richiesta un'alta protezione e tenuta allo strappo. Per custodie e cassette stagne.</i></p>

Technical characteristics <i>Caratteristiche tecniche</i>	L	Spanner <i>Chiave</i>		Panel drilling <i>Foratura pannello</i>	Cable Dia <i>Cavo Dia</i>	Thread <i>Filettatura</i>	Part No. <i>Codice</i>	Part No. <i>Codice</i>	Part No. <i>Codice</i>
		SW1	SW2						
	11	16	16	12.5	3 - 6,5	M 12x1,5	7000.7821.1	7000.7821.2	7000.7821.0
	11	19	19	16.5	4 - 8	M 16x1,5	7000.7822.1	7000.7822.2	7000.7822.0
	10,2	24	24	20.5	6 - 12	M 20x1,5	7000.7823.1	7000.7823.2	7000.7823.0
	12	32	32	25.5	11 - 18	M 25x1,5	7000.7824.1	7000.7824.2	7000.7824.0
	14	35	35	32.5	12 - 21	M 32x1,5	7000.7825.1	7000.7825.2	7000.7825.0
	15	53	53	40.5	22 - 32	M 40x1,5	7000.7826.1	7000.7826.2	7000.7826.0
	16,5	60	60	50.5	30 - 38	M 50x1,5	7000.7827.1	7000.7827.2	7000.7827.0
	20	68	68	63.5	35 - 44	M 63x1,5	7000.7828.1	7000.7828.2	7000.7828.0
	11	16	16	12.7	3 - 6,5	Pg 7	7000.7829.1	7000.7829.2	7000.7829.0
	10,2	19	19	15.4	4 - 8	Pg 9	7000.7830.1	7000.7830.2	7000.7830.0
	10,2	22	22	18,8	5 - 10	Pg 11	7000.7831.1	7000.7831.2	7000.7831.0
	12	24	24	20.7	6 - 11	Pg 13.5	7000.7832.1	7000.7832.2	7000.7832.0
	12	27	27	22,8	9 - 13	Pg 16	7000.7833.1	7000.7833.2	7000.7833.0
	12	33	33	28.6	13 - 18	Pg 21	7000.7834.1	7000.7834.2	7000.7834.0
	14,5	42	42	37.4	17,5 - 25	Pg 29	7000.7835.1	7000.7835.2	7000.7835.0
	16,8	53	53	47.5	22 - 32	Pg 36	7000.7836.1	7000.7836.2	7000.7836.0
	16,8	60	60	54.5	32 - 38	Pg 42	7000.7837.1	7000.7837.2	7000.7837.0
	18	68	68	59.8	37 - 44	Pg 48	7000.7838.1	7000.7838.2	7000.7838.0

Technical characteristics	<i>Caratteristiche tecniche</i>
<p>CE RoHS</p> <p>Thread: Metric 1.5 pitch in accordance with EN 50262 Pg in accordance with DIN 40430</p> <p>IP Protection: IP68 in accordance with EN 60529</p> <p>Working temperature: - 40°C + + 100°C</p> <p>Materials: Body: Polyamide Pa 66 UL94 V2 Gasket: NBR</p> <p>Characteristics: Special design of clamping die, sealing nut and rubber part, twisting resistance, prolonging cable life. Waterproof, dustproof and high resistance to salt, acid, alkali, alcohol, grease and common solvents.</p> <p>Applications: For sealed enclosures and boxes.</p> <p>Color: Grey RAL 7001, light grey RAL 7035 or black RAL 9005</p>	<p>CE RoHS</p> <p>Filettatura: Metriche passo 1,5 secondo EN 50262 Pg secondo DIN 40430</p> <p>Grado di protezione IP: IP68 secondo EN 60529</p> <p>Limiti di temperatura: - 40°C + + 100°C</p> <p>Materiali: Corpo: Poliammide Pa 66 UL94 V 2 Guarnizione: NBR</p> <p>Caratteristiche: Particolare progetto del sistema di chiusura, del sistema di tenuta e della guarnizione. Aumenta la durata del cavo. Resistente all'acqua, alla polvere, all'ambiente salino, agli acidi, agli alcali, all'alcool, ai grassi ed ai comuni solventi.</p> <p>Applicazioni: Per custodie e cassette stagne.</p> <p>Colore: Grigio RAL 7001, grigio chiaro RAL 7035 o nero RAL 9005</p>


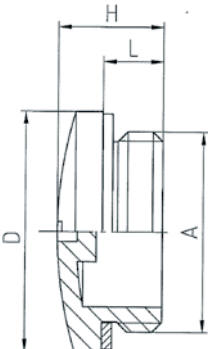
Technical characteristics <i>Caratteristiche tecniche</i>	L	Spanner <i>Chiave</i>		Panel drilling <i>Foratura pannello</i>	Cable Dia <i>Cavo Dia</i>	Thread <i>Filettatura</i>	Part No. <i>Codice</i>	Part No. <i>Codice</i>	Part No. <i>Codice</i>
		SW1	SW2						
	11	16	19	12.5	3 - 6,5	M 12x1,5	7000.7821.6	7000.7821.7	7000.7821.5
	11	19	22	16.5	4 - 8	M 16x1,5	7000.7822.6	7000.7822.7	7000.7822.5
	12,7	24	26	20.5	6 - 12	M 20x1,5	7000.7823.6	7000.7823.7	7000.7823.5
	13	32	33	25.5	11 - 18	M 25x1,5	7000.7824.6	7000.7824.7	7000.7824.5
	14	35	38	32.5	12 - 21	M 32x1,5	7000.7825.6	7000.7825.7	7000.7825.5
	15	53	53	40.5	22 - 32	M 40x1,5	7000.7826.6	7000.7826.7	7000.7826.5
	16,5	60	65	50.5	30 - 38	M 50x1,5	7000.7827.6	7000.7827.7	7000.7827.5
	20	68	70	63.5	35 - 44	M 63x1,5	7000.7828.6	7000.7828.7	7000.7828.5
	11	16	19	12.7	3 - 6,5	Pg 7	7000.7829.6	7000.7829.7	7000.7829.5
	10,2	19	22	15.4	4 - 8	Pg 9	7000.7830.6	7000.7830.7	7000.7830.5
	12,3	22	24	18,8	5 - 10	Pg 11	7000.7831.6	7000.7831.7	7000.7831.5
	13	24	26	20.7	6 - 11	Pg 13.5	7000.7832.6	7000.7832.7	7000.7832.5
	13	27	30	22,8	9 - 13	Pg 16	7000.7833.6	7000.7833.7	7000.7833.5
	15,2	33	36	28.6	13 - 18	Pg 21	7000.7834.6	7000.7834.7	7000.7834.5
	14,5	42	46	37.4	17,5 - 25	Pg 29	7000.7835.6	7000.7835.7	7000.7835.5
	16,8	53	56	47.5	22 - 32	Pg 36	7000.7836.6	7000.7836.7	7000.7836.5
	16,8	60	65	54.5	32 - 38	Pg 42	7000.7837.6	7000.7837.7	7000.7837.5
	18	68	70	59.8	37 - 44	Pg 48	7000.7838.6	7000.7838.7	7000.7838.5

Technical characteristics	<i>Caratteristiche tecniche</i>
<p>CE (RoHS)</p> <p>Thread: Metric 1.5 pitch in accordance with EN 50262 Pg in accordance with DIN 40430</p> <p>IP Protection: IP68 in accordance with EN 60529</p> <p>Working temperature: - 40°C ÷ + 100°C</p> <p>Materials: Body: Polyamide Pa 66 UL94 V2 Gasket: NBR Nut: Polyamide Pa 66 UL94 V2</p> <p>Characteristics: Special design of clamping die, sealing nut and rubber part, twisting resistance, prolonging cable life. Waterproof, dustproof and high resistance to salt, acid, alkali, alcohol, grease and common solvents.</p> <p>Applications: For sealed enclosures and boxes. The cable glands shall be assembled through the hole drilled in the enclosure and fixed using the threaded nut</p> <p>Color: Grey RAL 7001, light grey RAL 7035 or black RAL 9005</p>	<p>CE (RoHS)</p> <p>Filettatura: Metriche passo 1,5 secondo EN 50262 Pg secondo DIN 40430</p> <p>Grado di protezione IP: IP68 secondo EN 60529</p> <p>Limiti di temperatura: - 40°C ÷ + 100°C</p> <p>Materiali: Corpo: Poliammide Pa 66 UL94 V2 Guarnizione: NBR Dado: Poliammide Pa 66 UL94 V2</p> <p>Caratteristiche: Particolare progetto del sistema di chiusura, del sistema di tenuta e della guarnizione. Aumenta la durata del cavo. Resistente all'acqua, alla polvere, all'ambiente salino, agli acidi, agli alcali, all'alcool, ai grassi ed ai comuni solventi.</p> <p>Applicazioni: Per custodie e scatole sigillate. I pressacavi vengono assemblati attraverso i fori praticati nel contenitore e fissati usando gli appositi dadi</p> <p>Colore: Grigio RAL 7001, grigio chiaro RAL 7035 o nero RAL 9005</p>

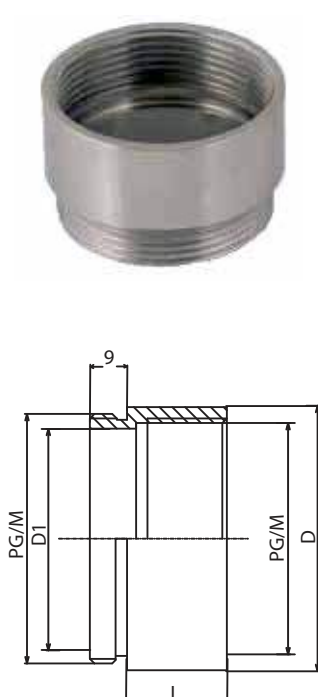
Cable glands with nut and gasket <i>Pressacavi con dado e guarnizione</i>	L	Spanner <i>Chiave</i>		H	Panel Drilling <i>Foratura</i>	Cable Dia <i>Cavo Dia</i>	Thread <i>Filettatura</i> "A"	Part No. <i>Codice</i>
		SW1	SW2					
	9	16	16	70	12,5	3 - 6	M 12x1,5	7000.7122.0
	10	18	20	80	16,5	4 - 8	M 16x1,5	7000.7123.0
	10.20	23	23	91	20,5	6 - 12	M 20x1,5	7000.7124.0
	12	33	33	112	25,5	13 - 18	M 25x1,5	7000.7125.0
	9	16	16	70	12,7	3 - 6	Pg 7	7000.7127.0
	9	18	20	80	15,4	4 - 8	Pg 9	7000.7128.0
	9	23	23	80	18,8	5 - 10	Pg 11	7000.7129.0
	10	23	23	88	20,7	6 - 12	Pg 13.5	7000.7130.0
	10	26	26	92	22,8	10 - 14	Pg 16	7000.7131.0
	12	33	33	112	28,6	13 - 18	Pg 21	7000.7132.0

Technical characteristics	Caratteristiche tecniche
---------------------------	--------------------------


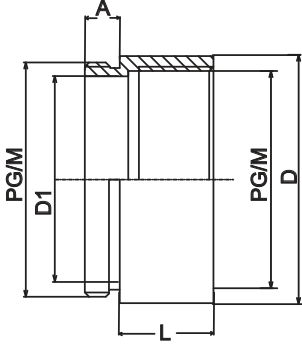
<p>CE (RoHS)</p> <p>Thread: Metric 1.5 pitch in accordance with EN 50262 Pg in accordance with DIN 40430</p> <p>IP Protection: IP67 in accordance with EN 60529</p> <p>Working temperature: - 40°C + + 100°C up to 120° instantaneous</p> <p>Materials: Body: Polyamide Pa 66 UL94 V2 Gasket: NBR Nut: Polyamide Pa 66 UL94 V2</p> <p>Characteristics: Special design of clamping die, sealing nut and rubber part, twisting resistance, prolonging cable life. Waterproof, dustproof and high resistance to salt, acid, alkali, alcohol, grease and common solvents.</p> <p>Applications: For industrial connectors plastic enclosures size 3A «21x21» For sealed enclosures and boxes</p> <p>Color: Grey RAL 7001: Part No. last digit = 0 Black RAL 9005: Part No. last digit = 1 Grey RAL 7035: Part No. last digit = 2</p>	<p>CE (RoHS)</p> <p>Filettatura: Metriche passo 1,5 secondo EN 50262 Pg secondo DIN 40430</p> <p>Grado di protezione IP: IP67 secondo EN 60529</p> <p>Limiti di temperature: - 40°C + + 100°C fino a 120° istantaneo</p> <p>Materiali: Corpo: Poliammide Pa 66 UL94 V2 Guarnizione: NBR Dado: Poliammide Pa 66 UL94 V2</p> <p>Caratteristiche: Particolare progetto del sistema di chiusura, del sistema di tenuta e della guarnizione. Aumenta la durata del cavo. Resistente all'acqua, alla polvere, all'ambiente salino, agli acidi, agli alcali, all'alcool, ai grassi ed ai comuni solventi.</p> <p>Applicazioni: Per le custodie plastiche dei connettori industriali grandezza 3A «21x21» Per custodie e cassette stagne</p> <p>Colore: Grigio RAL 7001: Numero a destra del codice = 0 Nero RAL 9005: Numero a destra del codice = 1 Grigio RAL 7035: Numero a destra del codice = 2</p>
--	--

Technical characteristics - <i>Caratteristiche tecniche</i>	L	H	D	Thread Filettatura "A"	Part No. Codice
 	8,5	12,5	15	M 12x1,5	7000.7310.0
	8,5	13	19	M 16x1,5	7000.7311.0
	9,0	13	25	M 20x1,5	7000.7312.0
	10,5	15,5	30	M 25x1,5	7000.7313.0
	10,5	16	38	M 32x1,5	7000.7314.0
	11,5	18	46	M 40x1,5	7000.7315.0
	13,5	18	56	M 50x1,5	7000.7316.0
	14,0	19	68	M 63x1,5	7000.7317.0
	8,5	12,4	15	Pg 7	7000.7320.0
	8,5	13	19	Pg 9	7000.7321.0
	9,0	13	22	Pg 11	7000.7322.0
	9,0	13	25	Pg 13.5	7000.7323.0
	10,5	15	27	Pg 16	7000.7324.0
	10,5	15,5	33	Pg 21	7000.7325.0
	11,5	16	44	Pg 29	7000.7326.0
	13,5	18	55	Pg 36	7000.7327.0
	13,5	18,5	62	Pg 42	7000.7328.0
	14.5	19,5	68	Pg 48	7000.7329.0

Technical characteristics	<i>Caratteristiche tecniche</i>
<p>CE RoHS</p> <p>Thread:</p> <p>Metric 1.5 pitch in accordance with EN 50262 Pg in accordance with DIN 40430</p> <p>IP Protection:</p> <p>IP66 according to EN60529</p> <p>Working temperature:</p> <p>-40°C ÷ + 100°C</p> <p>Materials:</p> <p>Body: Polyamide Pa 66 UL94 V2 Gasket: NBR Nut: Polyamide Pa 66 UL94 V2</p> <p>Applications:</p> <p>For sealed enclosures and boxes</p> <p>Color:</p> <p>Grey RAL 7001: Part No. last digit = 0 Black RAL 9005: Part No. last digit = 1 Grey RAL 7035: Part No. last digit = 2</p>	<p>CE RoHS</p> <p>Filettatura:</p> <p>Metriche passo 1,5 secondo EN 50262 Pg secondo DIN 40430</p> <p>Grado di protezione IP:</p> <p>IP66 secondo EN 60529</p> <p>Limiti di temperature:</p> <p>-40°C ÷ + 100°C</p> <p>Materiali:</p> <p>Corpo: Poliammide Pa 66 UL94 V2 Guarnizione: NBR Dado: Poliammide Pa 66 UL94 V2</p> <p>Applicazioni:</p> <p>Per custodie e cassette stagne</p> <p>Colore:</p> <p>Grigio RAL 7001: Numero a destra del codice = 0 Nero RAL 9005: Numero a destra del codice = 1 Grigio RAL 7035: Numero a destra del codice = 2</p>

Threaded extension tube <i>Raccordi filettati</i>	D mm	D1 mm	L mm	Thread <i>Filettatura</i>	Part No. <i>Codice</i>
 <p>D1 = Cable passage - D1 = Passaggio del cavo</p>	24	14,5	14,0	M20-M20	7000.6788.0
	29	19	15,0	M25-M25	7000.6791.0
	36	26	16,5	M32-M32	7000.6792.0
	44	34	19,5	M40-M40	7000.6793.0
	54	44	22,0	M50-M50	7000.6794.0
	24	14,5	12,0	Pg13,5-Pg13,5	7000.6790.0
	26	16,5	14,0	Pg16-Pg16	7000.6789.0
	32	22,5	15,0	Pg21-Pg21	7000.6796.0
	41	31,5	16,5	Pg29-Pg29	7000.6797.0
	51	41,5	19,5	Pg36-Pg36	7000.6798.0
	58	48,5	22,0	Pg42-Pg42	7000.6799.0

Technical characteristics	Caratteristiche tecniche
<p>CE RoHS</p> <p>Thread:</p> <p>Metric 1.5 pitch in accordance with EN 50262 Pg in accordance with DIN 40430</p> <p>IP Protection:</p> <p>According to components it is coupled to</p> <p>Working temperature:</p> <p>-40°C + + 200°C</p> <p>Materials:</p> <p>Nickel-plated brass</p> <p>Applications:</p> <p>For HC - high construction enclosures, flexible conduits and for other applications as extension tube</p>	<p>CE RoHS</p> <p>Filettatura:</p> <p>Metriche passo 1,5 secondo EN 50262 Pg secondo DIN 40430</p> <p>Grado di protezione IP:</p> <p>Dipende dagli altri componenti a cui sono accoppiati</p> <p>Limiti di temperatura:</p> <p>-40°C + + 200°C</p> <p>Materiali:</p> <p>Ottone nichelato</p> <p>Applicazioni:</p> <p>Per custodie HC - costruzione alta, per tubi flessibili e per altre applicazioni come prolungha</p>

Metal enlarging adapters <i>Ampliatori metallici</i>	D1 mm	L mm	A mm	D mm	Thread <i>Filettatura</i>	Part No. <i>Codice</i>
  <p>D1 = Cable passage - <i>D1 = Passaggio del cavo</i></p>	13	11.5	6.0	22	M16 - M20	7000.7771.0
	15	12,5	6.5	27	M20 - M25	7000.6870.0
	21	12.5	8,0	34	M25 - M32	7000.6871.0
	27	16,0	7,0	42	M32 - M40	7000.6872.0
	35	22,0	9,0	52	M40 - M50	7000.6873.0
	40	14,5	9.5	65	M50 - M63	7000.7772.0
	12.3	10.5	6,0	20	Pg 9 - Pg 11	7000.7775.0
	15	11.5	6,0	22	Pg 11 - Pg 13.5	7000.6865.0
	17	12,5	6.5	24	Pg 13.5 - Pg 16	7000.6866.0
	18.5	14,5	6.5	30	Pg 16 - Pg 21	7000.6867.0
	24	16,0	7,0	39	Pg 21 - Pg 29	7000.6868.0
	32	20,0	8,0	50	Pg 29 - Pg 36	7000.6869.0
	42	23,0	8,0	57	Pg 36 - Pg 42	7000.6971.0
	48	23,0	10,0	65	Pg 42 - Pg 48	7000.6972.0

Technical characteristics

Caratteristiche tecniche



Thread:

Metric 1.5 pitch in accordance with EN 50262
Pg in accordance with DIN 40430

IP Protection:

IP68 in accordance with EN 60529 with gasket
O ring gasket on request, please order separately

Working temperature:

-40°C ÷ + 200°C

Materials:

Nickel-plated brass

Applications:

They allow to couple the enclosures and fittings with different threads



Filettatura:

Metriche passo 1,5 secondo EN 50262
Pg secondo DIN 40430

Grado di protezione IP:

IP68 secondo EN 60529 con guarnizione
Gli O ring su richiesta, sono da ordinare separatamente

Limiti di temperatura:


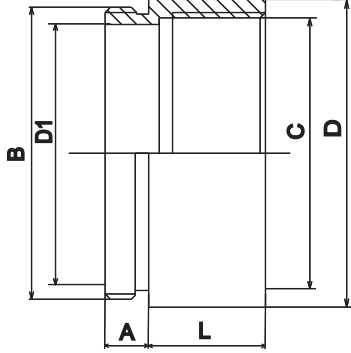
-40°C ÷ + 200°C

Materiali:

Ottone nichelato

Applicazioni:

Consentono di accoppiare custodie e raccordi con filettature diverse

Metal NPT adapters Adattatori metallici NPT	D1 mm	D mm	L mm	A mm	Male thread Filettatura maschio	Female thread Filettatura femmina	Part No. Codice
  D1 = Cable passage - D1 = Passaggio del cavo	15,0	24	25,0	6,5	M 20x1,5	1/2"	7000.6942.0
	15,0	28	18,5	6,5	M 25x1,5	1/2"	7000.6943.0
	18,0	30	21,0	7,0	M 25x1,5	3/4"	7000.6944.0
	23,0	37	20,0	8,0	M 32x1,5	3/4"	7000.6945.0
	26,0	38	25,0	8,0	M 32x1,5	1"	7000.6946.0
	26,0	46	25,0	8,0	M 32x1,5	1 1/4"	7000.6947.0
	33,0	46	26,0	8,0	M 40x1,5	1 1/4"	7000.6948.0
	39,0	57	26,0	9,0	M 50x1,5	1 1/2"	7000.6949.0
	13,5	20	14,0	6,0	Pg 11	3/8"	7000.6928.0
	13,0	24	18,0	6,5	Pg 11	1/2"	7000.6929.0
	15,5	24	18,5	6,5	Pg 13.5	1/2"	7000.6930.0
	17,0	24	18,5	6,5	Pg 16	1/2"	7000.6931.0
	17,0	30	18,0	6,5	Pg 21	1/2"	7000.6932.0
	22,0	30	18,0	7,0	Pg 21	3/4"	7000.6933.0
	29,0	39	18,0	8,0	Pg 29	1"	7000.6934.0
	29,0	46	21,0	8,0	Pg 29	1 1/4"	7000.6935.0
	36,0	50	20,0	9,0	Pg 36	1 1/4"	7000.6936.0
	42,7	57	20,0	10,0	Pg 42	1 1/2"	7000.6937.0

Technical characteristics

Caratteristiche tecniche



Thread:

Metric 1.5 pitch in accordance with EN 50262
Pg in accordance with DIN 40430
NPT in accordance with USAS B2-1

IP Protection:

According to components it is coupled to

Working temperature:

- 60°C ÷ + 200°C

Materials:

Nickel-plated brass

Applications:

To convert a metric or Pg thread to NPT thread
For coupling with fittings and flexible conduits with NPT thread



Filettatura:

Metriche passo 1,5 secondo EN 50262
Pg secondo DIN 40430
NPT secondo USAS B2-1

Grado di protezione IP:

Dipende dagli altri componenti a cui sono accoppiati

Limiti di temperatura:

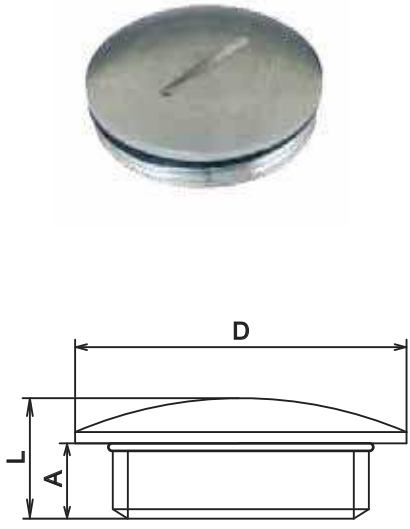
- 60°C ÷ + 200°C

Materiali:

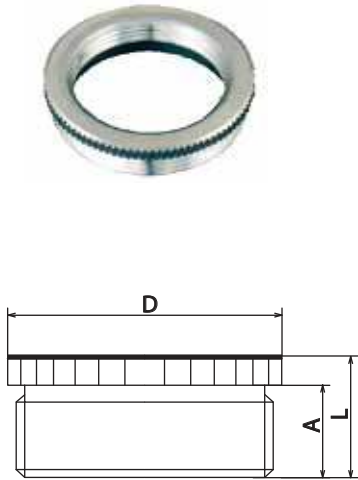
Ottone nichelato

Applicazioni:

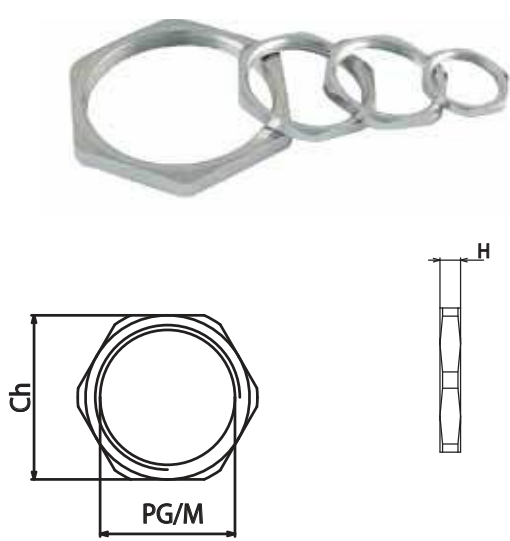
Per convertire le filettature metriche o Pg in filettature NPT.
Per accoppiamenti con raccordi e tubi flessibili con filettatura NPT

Technical characteristics <i>Caratteristiche tecniche</i>	L	A	D	Thread <i>Filettatura</i>	Part No. <i>Codice</i>
	7,0	5,0	14	M 12x1.5	7000.7780.0
	8,0	6,0	18	M 16x1.5	7000.7781.0
	8.5	6.5	22	M 20x1.5	7000.6975.0
	10,0	7,0	27	M 25x1.5	7000.6976.0
	11,0	8,0	34	M 32x1.5	7000.6977.0
	13,0	9,0	44	M 40x1.5	7000.6978.0
	14.5	10,0	54	M 50x1.5	7000.6979.0
	15,0	10,0	67	M 63x1.5	7000.7785.0
	8,0	5.25	14	Pg 7	7000.7783.0
	9,0	6,0	17	Pg 9	7000.7784.0
	9,0	6,0	20	Pg 11	7000.6980.0
	9.5	6.5	22	Pg 13.5	7000.6981.0
	9.5	6.5	24	Pg 16	7000.6982.0
	11,0	7,0	30	Pg 21	7000.6983.0
	12,0	8,0	39	Pg 29	7000.6984.0
	15,0	9,0	50	Pg 36	7000.6985.0
	16,0	10,0	57	Pg 42	7000.6986.0
	16,0	10,0	64	Pg 48	7000.7786.0

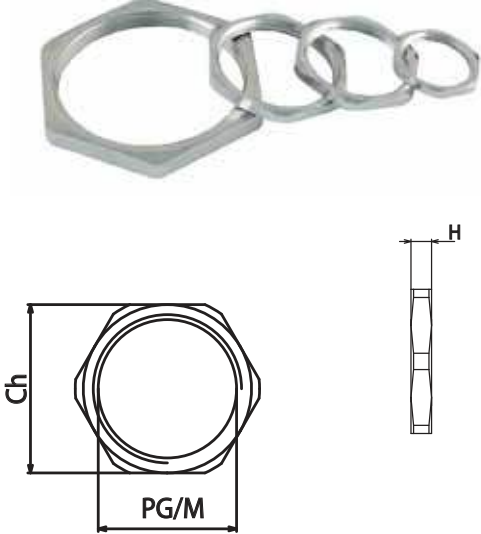
Technical characteristics	<i>Caratteristiche tecniche</i>
<p>CE (RoHS)</p> <p>Thread: Metric 1.5 pitch in accordance with EN 50262 Pg in accordance with DIN 40430</p> <p>IP Protection: IP68 in accordance with EN 60529</p> <p>Working temperature: -40°C ÷ + 125°C</p> <p>Materials: Body: Nickel-plated brass Gasket: Elastomer</p> <p>Applications: For blanking any threaded hole on hoods/housings and any other sealed enclosures</p>	<p>CE (RoHS)</p> <p>Filettatura: <i>Metriche passo 1,5 secondo EN 50262 Pg secondo DIN 40430</i></p> <p>Grado di protezione IP: <i>IP68 secondo EN 60529</i></p> <p>Limiti di temperatura: <i>-40°C ÷ + 125°C</i></p> <p>Materiali: Corpo: Ottone nichelato Guarnizione: Elastomero</p> <p>Applicazioni: <i>Per chiudere qualunque foro filettato nelle custodie e/o cassette sigillate</i></p>

Technical characteristics <i>Caratteristiche tecniche</i>	L	A	D	Thread <i>Filettatura</i>	Part No. <i>Codice</i>
	10,0	7,0	27	M25-M20	7000.7791.0
	11,0	8,0	34	M32-M25	7000.7792.0
	11,5	8,0	43	M40-M32	7000.7793.0
	12,5	9,0	53	M50-M40	7000.7794.0
	9,0	6,5	22	Pg 13.5-Pg 11	7000.7795.0
	9,5	6,5	24	Pg 16-Pg 13.5	7000.7796.0
	10,0	7,0	30	Pg 21-Pg 16	7000.7797.0
	11,5	8,0	39	Pg 29-Pg 21	7000.7798.0
	12,5	9,0	50	Pg 36-Pg 29	7000.7799.0
	14,0	10,0	57	Pg 42-Pg 36	7000.7800.0
	14,0	10,0	64	Pg 48-Pg 42	7000.7801.0


Technical characteristics	<i>Caratteristiche tecniche</i>
<p>CE RoHS</p> <p>Thread: Metric 1.5 pitch in accordance with EN 50262 Pg in accordance with DIN 40430</p> <p>IP Protection: According to components it is coupled to</p> <p>Working temperature: -60° ÷ + 200°C</p> <p>Materials: Body: Nickel-plated brass</p> <p>Applications: It allows to reduce the size of the available threaded hole when necessary</p>	<p>CE RoHS</p> <p>Filettatura: <i>Metriche passo 1,5 secondo EN 50262 Pg secondo DIN 40430</i></p> <p>Grado di protezione IP: <i>Dipende dagli altri componenti a cui sono accoppiati</i></p> <p>Limiti di temperatura: -60°C ÷ + 200°C</p> <p>Materiali: Corpo: Ottone nichelato</p> <p>Applicazioni: <i>Quando necessario permette di ridurre la grandezza del foro filettato disponibile</i></p>

Technical characteristics <i>Caratteristiche tecniche</i>	H	Spanner <i>Chiave</i>	Thread <i>Filettatura</i>	Part No. <i>Codice</i>
	2.80	15	M 12	7000.6950.0
	2.80	19	M 16	7000.6951.0
	3.00	24	M 20	7000.6952.0
	3.50	30	M 25	7000.6953.0
	4.00	36	M 32	7000.6954.0
	5.00	46	M40	7000.6955.0
	5.00	60	M50	7000.6956.0
	6.00	70	M 63	7000.6967.0
	2.80	15	Pg 7	7000.6965.0
	2.80	18	Pg 9	7000.6966.0
	3.00	21	Pg 11	7000.6957.0
	3.00	23	Pg 13.5	7000.6958.0
	3.00	26	Pg 16	7000.6959.0
	3.50	32	Pg 21	7000.6960.0
	4.00	41	Pg 29	7000.6961.0
	5.00	51	Pg 36	7000.6962.0
	5.00	60	Pg 42	7000.6963.0
	5.50	64	Pg 48	7000.6964.0

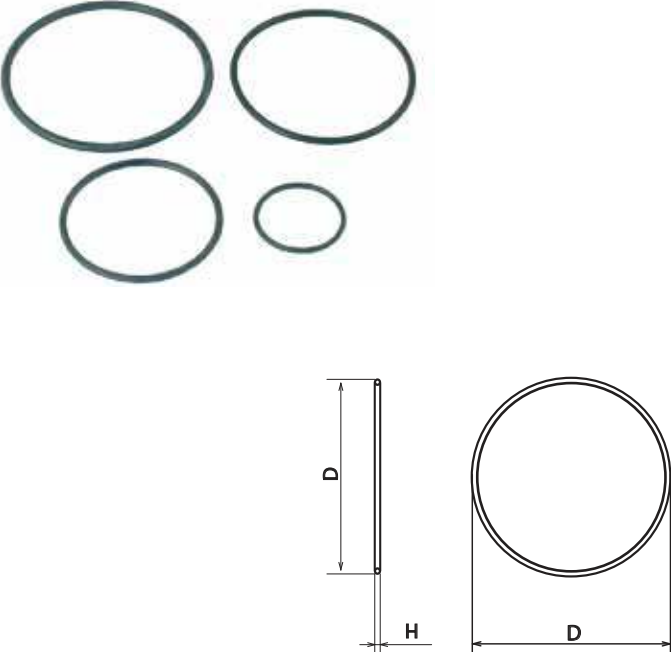
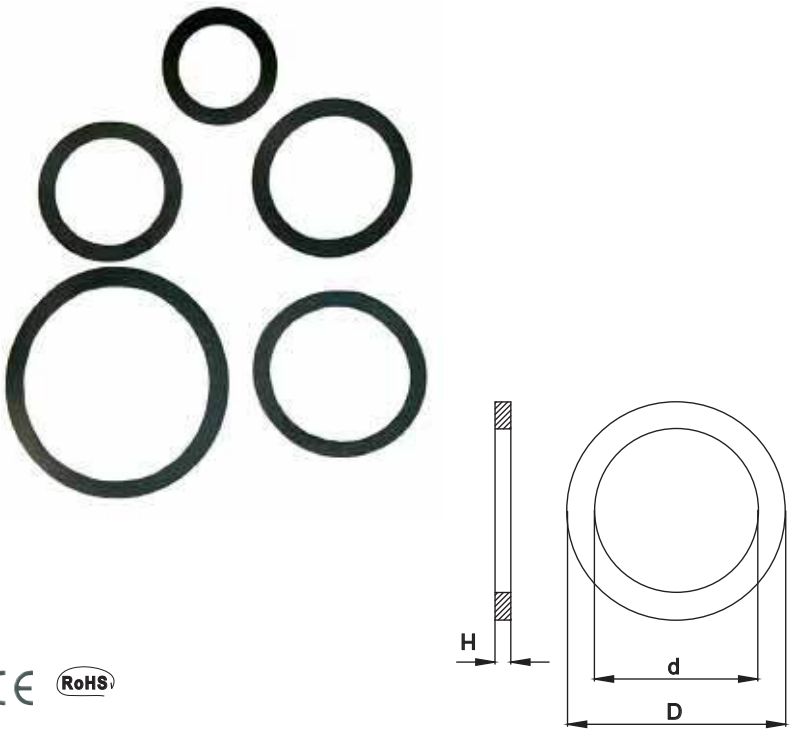
Technical characteristics	<i>Caratteristiche tecniche</i>
<p>CE RoHS</p> <p>Thread: Metric 1.5 pitch in accordance with EN 50262 Pg in accordance with DIN 40430</p> <p>IP Protection: According to components it is coupled to</p> <p>Working temperature: -60°C ÷ + 200°C</p> <p>Materials: Body: Nickel-plated brass</p> <p>Applications: For metal cable glands and any other metal threaded fitting</p>	<p>CE RoHS</p> <p>Filettatura: <i>Metriche passo 1,5 secondo EN 50262 Pg secondo DIN 40430</i></p> <p>Grado di protezione IP: <i>Dipende dagli altri componenti a cui sono accoppiati</i></p> <p>Limiti di temperatura: -60°C ÷ + 200°C</p> <p>Materiali: Corpo: Ottone nichelato</p> <p>Applicazioni: <i>Per pressacavi metallici ed ogni altro raccordo filettato</i></p>


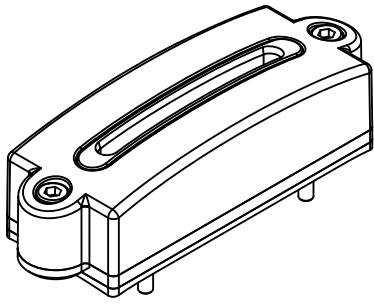
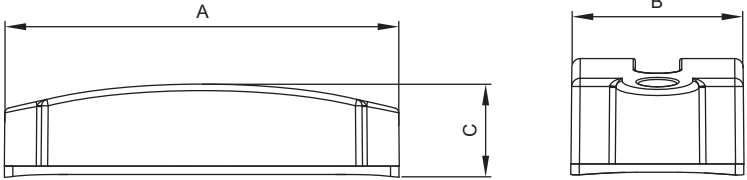
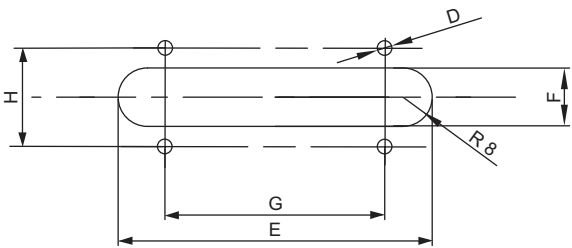
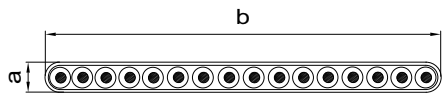
Technical characteristics <i>Caratteristiche tecniche</i>	H	Spanner <i>Chiave</i>	Thread <i>Filettatura</i>	Part No. <i>Codice</i>
	2.8	14	M 12	7000.7405.0
	3.0	17	M 16	7000.7406.0
	3.0	22	M 20	7000.7407.0
	3.5	27	M 25	7000.7408.0
	4.0	37	M 32	7000.7409.0
	5.0	46	M40	7000.7410.0
	5.5	57	M50	7000.7411.0
	5.5	66	M 63	7000.7412.0
	2.8	14	Pg 7	7000.7414.0
	3.0	17	Pg 9	7000.7415.0
	3.0	20	Pg 11	7000.7416.0
	3.0	22	Pg 13.5	7000.7417.0
	3.3	24	Pg 16	7000.7418.0
	3.5	30	Pg 21	7000.7419.0
	4.0	40	Pg 29	7000.7420.0
	5.0	50	Pg 36	7000.7421.0
	5.0	57	Pg 42	7000.7422.0
	5.5	66	Pg 48	7000.7423.0

Technical characteristics	<i>Caratteristiche tecniche</i>
<p>CE RoHS</p> <p>Thread: Metric 1.5 pitch in accordance with EN 50262 Pg in accordance with DIN 40430</p> <p>IP Protection: According to components it is coupled to</p> <p>Working temperature: -60°C ÷ + 200°C</p> <p>Materials: Body: Stainless steel</p> <p>Applications: For metal cable glands and any other metal threaded fitting</p>	<p>CE RoHS</p> <p>Filettatura: <i>Metriche passo 1,5 secondo EN 50262 Pg secondo DIN 40430</i></p> <p>Grado di protezione IP: <i>Dipende dagli altri componenti a cui sono accoppiati</i></p> <p>Limiti di temperatura: -60°C ÷ + 200°C</p> <p>Materiali: Corpo: Acciaio inox</p> <p>Applicazioni: <i>Per pressacavi metallici ed ogni altro raccordo filettato</i></p>

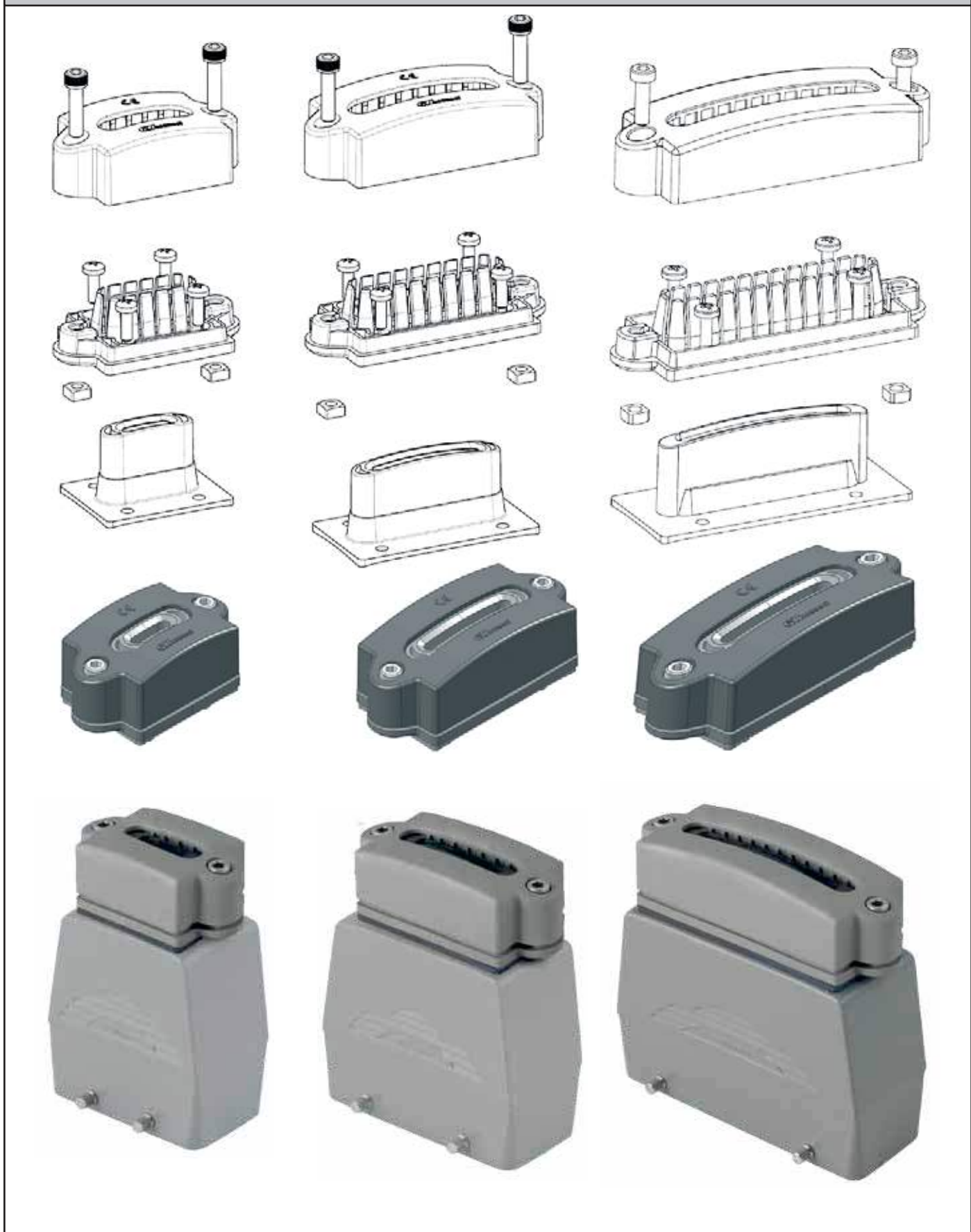
Technical characteristics Caratteristiche tecniche	D	SW1	Thread Filettatura "A"	Part No. Codice	Part No. Codice	Part No. Codice
	5	19	M 12x1,5	7000.7841.1	7000.7841.2	7000.7841.0
	5	22	M 16x1,5	7000.7842.1	7000.7842.2	7000.7842.0
	5,5	26	M 20x1,5	7000.7843.1	7000.7843.2	7000.7843.0
	6	33	M 25x1,5	7000.7844.1	7000.7844.2	7000.7844.0
	6,5	38	M 32x1,5	7000.7845.1	7000.7845.2	7000.7845.0
	8	53	M 40x1,5	7000.7846.1	7000.7846.2	7000.7846.0
	8,5	65	M 50x1,5	7000.7847.1	7000.7847.2	7000.7847.0
	9	70	M 63x1,5	7000.7848.1	7000.7848.2	7000.7848.0
	5	19	Pg 7	7000.7849.1	7000.7849.2	7000.7849.0
	5	22	Pg 9	7000.7850.1	7000.7850.2	7000.7850.0
	5,5	24	Pg 11	7000.7851.1	7000.7851.2	7000.7851.0
	5,5	26	Pg 13.5	7000.7852.1	7000.7852.2	7000.7852.0
	6	30	Pg 16	7000.7853.1	7000.7853.2	7000.7853.0
	6	36	Pg 21	7000.7854.1	7000.7854.2	7000.7854.0
	7,5	46	Pg 29	7000.7855.1	7000.7855.2	7000.7855.0
	8,5	56	Pg 36	7000.7856.1	7000.7856.2	7000.7856.0
	8,5	65	Pg 42	7000.7857.1	7000.7857.2	7000.7857.0
	8,5	70	Pg 48	7000.7858.1	7000.7858.2	7000.7858.0

Technical characteristics	Caratteristiche tecniche
<p>CE RoHS</p> <p>Thread: Metric 1.5 pitch in accordance with EN 50262 Pg in accordance with DIN 40430</p> <p>IP Protection: According to components it is coupled to</p> <p>Working temperature: - 40°C + + 100°C up to 120° instantaneous</p> <p>Materials: Body: Polyamide Pa 66 UL94 V2</p> <p>Color: Grey RAL 7001, light grey RAL 7035 or black RAL 9005</p> <p>Applications: For plastic cable glands and any other plastic threaded fitting</p>	<p>CE RoHS</p> <p>Filettatura: Metriche passo 1,5 secondo EN 50262 Pg secondo DIN 40430</p> <p>Grado di protezione IP: Dipende dagli altri componenti a cui sono accoppiati</p> <p>Limiti di temperature: - 40°C + + 100°C fino a 120° istantaneo</p> <p>Materiali: Corpo: Poliammide Pa 66 UL94 V2</p> <p>Colore: Grigio RAL 7001, grigio chiaro RAL 7035 o nero RAL 9005</p> <p>Applicazioni: Per pressacavi plastici ed ogni altro raccordo plastico filettato</p>

Technical characteristics Caratteristiche tecniche	H	D	For Per	Part No. Codice		
 <p>CE (RoHS)</p> <p>Materials: Elastomer Materiali: Elastomero</p>	1.50	10.50	M 12	7000.7808.0		
	1.50	13.50	M 16	7000.7600.0		
	1.50	18.50	M 20	7000.7601.0		
	2.00	23.00	M25	7000.7602.0		
	2.00	30.00	M32	7000.7603.0		
	2.00	38.00	M40	7000.7604.0		
	2.50	48.00	M50	7000.7605.0		
	3.53	60.33	M63	7000.7809.0		
	1.50	13.50	Pg9	7000.7806.0		
	1.50	16.50	Pg 11	7000.7608.0		
	1.50	18.50	Pg 13.5	7000.7609.0		
	1.50	20.50	Pg 16	7000.7610.0		
	2.00	26.00	Pg21	7000.7611.0		
	2.00	35.00	Pg29	7000.7612.0		
	2.50	45.00	Pg 36	7000.7613.0		
	2.62	52.10	Pg42	7000.7614.0		
	3.00	57.00	Pg48	7000.7807.0		
	Technical characteristics Caratteristiche tecniche	D	H	d	For Per	Part No. Codice
	 <p>CE (RoHS)</p> <p>Materials: Elastomer Materiali: Elastomero</p>		1.50		M 12	7000.7880.0
			1.50		M 16	7000.7881.0
		1.50		M 20	7000.7882.0	
		2.00		M25	7000.7883.0	
		2.00		M32	7000.7884.0	
		2.00		M40	7000.7885.0	
		2.50		M50	7000.7886.0	
		3.53		M63	7000.7887.0	
		1.50		Pg 7	7000.7859.0	
		1.50		Pg 9	7000.7860.0	
		1.50		Pg 11	7000.7861.0	
		1.50		Pg 13.5	7000.7862.0	
		1.50		Pg 16	7000.7863.0	
		2.00		Pg21	7000.7864.0	
		2.00		Pg29	7000.7865.0	
		2.50		Pg 36	7000.7866.0	
		2.62		Pg42	7000.7867.0	
		3.00		Pg48	7000.7868.0	

Technical characteristics <i>Caratteristiche tecniche</i>		Size <i>Grandezza</i>	Ribbon cable size a x b <i>Grandezza cavo a x b</i>	Part No. <i>Codice</i>																																				
    <p style="text-align: center;">Panel cut out <i>Foratura del pannello</i></p>		 <table border="1"> <thead> <tr> <th></th> <th>a x b</th> <th></th> </tr> </thead> <tbody> <tr> <td>10B</td> <td>3,8-9 x 17-23</td> <td>7000.7360.0</td> </tr> <tr> <td>10B</td> <td>3,8-9 x 26-35</td> <td>7000.7361.0</td> </tr> <tr> <td>16B</td> <td>3,8-9 x 40-47</td> <td>7000.7370.0</td> </tr> <tr> <td>16B</td> <td>3,8-9 x 48-56</td> <td>7000.7371.0</td> </tr> <tr> <td>24B</td> <td>3,8-5,1 x 62-66</td> <td>7000.7380.0</td> </tr> <tr> <td>24B</td> <td>4,5-5,7 x 72-76</td> <td>7000.7381.0</td> </tr> </tbody> </table>				a x b		10B	3,8-9 x 17-23	7000.7360.0	10B	3,8-9 x 26-35	7000.7361.0	16B	3,8-9 x 40-47	7000.7370.0	16B	3,8-9 x 48-56	7000.7371.0	24B	3,8-5,1 x 62-66	7000.7380.0	24B	4,5-5,7 x 72-76	7000.7381.0															
	a x b																																							
10B	3,8-9 x 17-23	7000.7360.0																																						
10B	3,8-9 x 26-35	7000.7361.0																																						
16B	3,8-9 x 40-47	7000.7370.0																																						
16B	3,8-9 x 48-56	7000.7371.0																																						
24B	3,8-5,1 x 62-66	7000.7380.0																																						
24B	4,5-5,7 x 72-76	7000.7381.0																																						
Cable gland for ribbon cables <i>Pressacavi per cavi piatti</i>																																								
<p>CE RoHS</p> <p>IP protection: IP66 / IP69 <i>Grado di protezione IP:</i></p> <p>Working temperature: -40°C + +100°C <i>Temperatura di lavoro:</i></p> <p>Materials: Pa 66 UL94 V-0 <i>Materiali:</i></p> <p>Gaskets: Silicon <i>Guarnizioni:</i></p> <p>Characteristics/Caratteristiche: Special design of clamping die, sealing and rubber part prolonging cable life. Waterproof, dustproof, and high resistance to salt, acid, alkali, alcohol, grease and common solvents.</p> <p><i>Particolare progetto del sistema di chiusura, del sistema di tenuta e della guarnizione. Aumenta la durata del cavo. Resistente all'acqua, alla polvere, all'ambiente salino, agli acidi, agli alcali, all'alcool, ai grassi ed ai comuni solventi.</i></p> <p>Applications/Applicazioni: For sealed enclosures and boxes, where flat cable are used <i>Per custodie e cassette stagne dove sono utilizzati cavi piatti</i></p> <p>Color: Grey RAL 7037, other colors on demand Colore: Grigio RAL 7037, altri colori su richiesta</p>																																								
<table border="1"> <thead> <tr> <th>Size <i>Grandezza</i></th> <th>A</th> <th>B</th> <th>C</th> <th>D</th> <th>E</th> <th>F</th> <th>G</th> <th>H</th> </tr> </thead> <tbody> <tr> <td>10B</td> <td>73</td> <td>43</td> <td>32</td> <td>M4</td> <td>41</td> <td>16</td> <td>29</td> <td>27</td> </tr> <tr> <td>16B</td> <td>95</td> <td>43</td> <td>33</td> <td>M4</td> <td>63</td> <td>16</td> <td>49</td> <td>27</td> </tr> <tr> <td>24B</td> <td>120</td> <td>43,5</td> <td>33</td> <td>M4</td> <td>86</td> <td>16</td> <td>60</td> <td>27</td> </tr> </tbody> </table>					Size <i>Grandezza</i>	A	B	C	D	E	F	G	H	10B	73	43	32	M4	41	16	29	27	16B	95	43	33	M4	63	16	49	27	24B	120	43,5	33	M4	86	16	60	27
Size <i>Grandezza</i>	A	B	C	D	E	F	G	H																																
10B	73	43	32	M4	41	16	29	27																																
16B	95	43	33	M4	63	16	49	27																																
24B	120	43,5	33	M4	86	16	60	27																																
<p>IP66/IP69 (EN60529)</p> <p>Remark: The cable shall have a smooth surface When using cables with corrugated jacket the IP protection degree has to be checked by the user.</p> <p>Nota: I cavi devono avere la superficie liscia. Con cavi con guaina corrugata il grado di protezione IP deve essere verificato dall'utilizzatore.</p> <p>Patented Brevettato</p>																																								

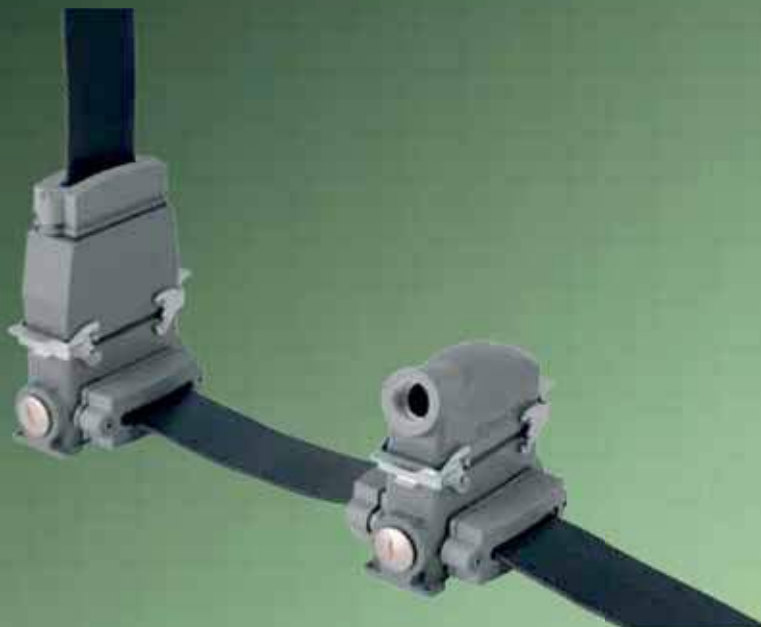
Applications
Applicazioni



Applications
Applicazioni



Applications with plastic
or metal enclosures
*Applicazioni con cassette
in plastica o metalliche*



On hoods for MIC connectors
Su custodia per connettori MIC



Applications with multipole
connectors MIC hood/housing
*Applicazioni con custodie per
connettori multipolari MIC*

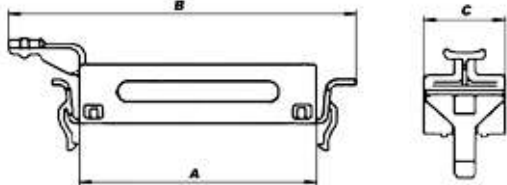
Contents - Sommario	Pages-Pagine
- DIN rail supports for insert size B <i>Supporti per guide DIN per inserti grandezza B</i>	55.02 - 55.04
- Covers with gasket for bulkhead housings <i>Coperture con guarnizione per custodie da incasso</i>	55.05
- Code pins <i>Perni di codifica</i>	55.06 - 55.07
- Double code pin for modular frames <i>Perni di codifica per telai per moduli</i>	55.08
- Accessories for S-EAV inserts with screw terminal block <i>Accessori per inserti S-EAV con terminali a morsettiera</i>	55.09
- Inserts coding pins <i>Sistema di codifica per inserti</i>	55.10
- Ground terminals for ground wires and shielded cables <i>Terminali di terra per conduttori di terra e cavi schermati</i>	55.11
- Ground terminals for ground wires and shielded cables for modular insert <i>Terminali di terra per connettori di terra e cavi schermati per inserti conduttori</i>	55.12
- Accessories for inserts and enclosures - Spare parts <i>Accessori per inserti e custodie - Parti di ricambio</i>	55.09 - 55.10
- Ground terminals for ground wires and shielded cables <i>Terminali di terra per conduttori di terra e cavi schermati</i>	55.11 - 55.12
- Locking adapters with or without grip frame <i>Adattatori per il bloccaggio a vite degli inserti con o senza ancoraggio cavi</i>	55.13 - 55.17
- Docking frames	55.18
- Insulated bush terminals <i>Terminali a tubetto preisolati</i>	55.19 - 55.20
- Bottom gasket for bulkhead housings <i>Guarnizioni sul fondo per custodie da pannello</i>	55.21
- Fixing screw <i>Viti di fissaggio</i>	55.22
- Levers <i>Leve</i>	55.23
- Keystone jack DIN rail support <i>Supporto per RJ45 su guide DIN</i>	55.24

Dimensions and materials
Dimensioni e materiali

Description and advantages
Descrizione e vantaggi

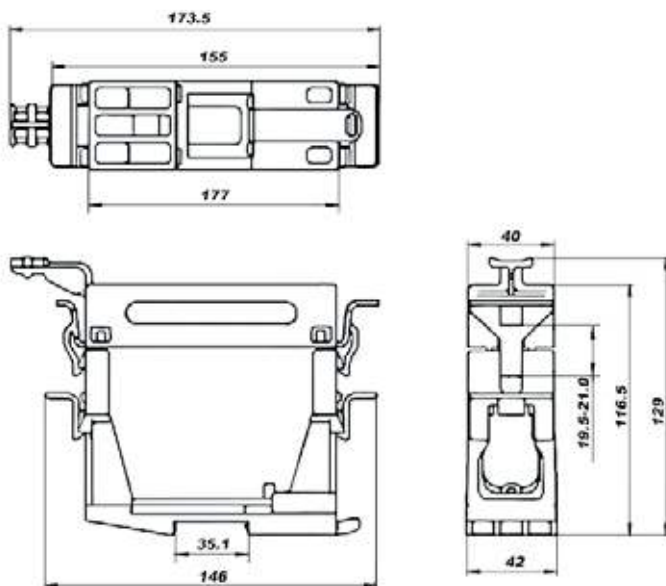


Top support
Supporto superiore



Size Grandezza	A	B	C
6B «44x27»	57	113,3	40
10B «57x27»	70	126	40
16B «77x27»	90,6	146,3	40
24B «104x27»	117	173	40

Complete support composed of 1 top support and 1 base support.
Supporto completo composto da 1 supporto superiore e 1 inferiore.



This mounting rail system allows you to mount the multipolar connectors inserts on the rail inside the control cabinets.

- No tools required, contact inserts are simply snapped in place as well as the support on the rail.
- Labelling surfaces allow clear equipment identification.
- For assembling on rail 35x7,5 and 35x15 in accordance with DIN EN60715.
- The support enables users to arrange a maximum number of connections in a minimum area within the control cabinet.
- Quick locking of the male with female inserts through levers.
- Fully compatible: it allows to accept inserts of the same sizes even if not manufactured by Molex.
- The inserts can be assembled also with code pins, Part. No. 7000.6875.0/7000.6875.3 male code pin. (see page 16.02)

Questo sistema di supporto permette di montare gli inserti dei connettori multipolari sulle guide all'interno dei quadri di controllo.

- *Non sono necessari utensili sia per il montaggio degli inserti sul supporto che lo stesso sulla guida.*
- *Ampie zone per l'etichettatura e l'identificazione.*
- *Per l'assemblaggio su guide 35x7,5 e 35x15 secondo la norma DIN EN60715.*
- *Le ridotte dimensioni dei supporti consentono di massimizzare il numero delle connessioni all'interno del quadro di controllo.*
- *Gli inserti maschio/femmina sono uniti tramite un sistema rapido di aggancio costituito da 2 leve.*
- *Completamente compatibile: il supporto consente di montare altri inserti, aventi le stesse grandezze, non prodotti da Molex.*
- *Gli inserti possono essere assemblati anche con perni di codifica maschio, cod. 7000.6875.0/7000.6875.3 (Vedere pag. 16.02)*

Application: For all inserts, size:
 Applicazioni: Per tutti gli inserti, grandezze:

- 6B «44x27»
- 10B «57x27»
- 16B «77x27»
- 24B «104x27»

For inserts series: S-D, S-DD, S-E, S-EC, S-EST, S-EE, S-EEE, S-EHV, S-ES, S-EP, S-ESHV, S-HSB, S-K, S-M
 Per inserti serie:

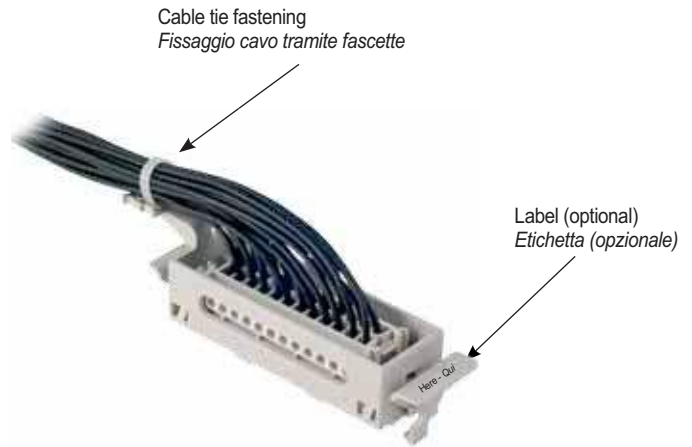
Material - Materiale: Polycarbonate - Policarbonato

Color - Colore: Grey - Grigio RAL 7044

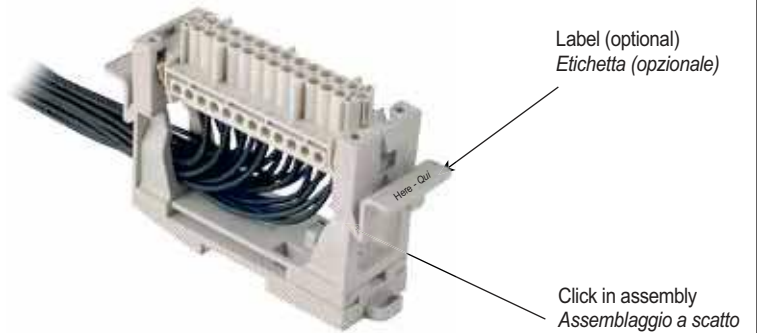
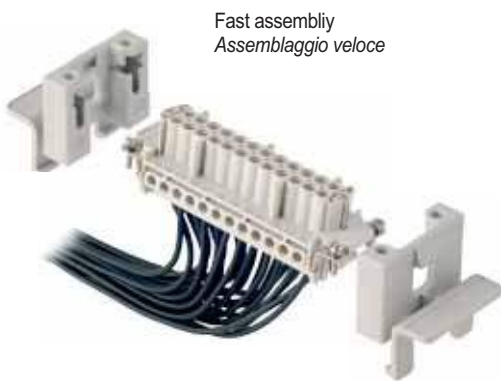
Flammability - Autoestingenza: UL-94 V0



Top support assembly
Assemblaggio del supporto superiore


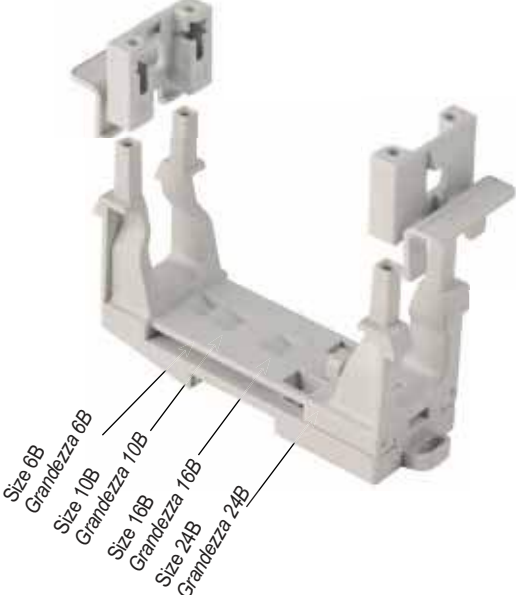



Base support assembly
Assemblaggio del supporto inferiore



Complete set assembly
Assemblaggio del supporto completo

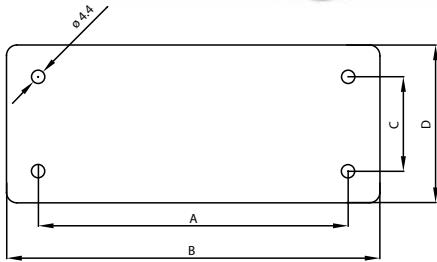


<p>Top support <i>Supporto superiore</i></p>	<p>Description <i>Descrizione</i></p>	<p>Part No. <i>Codice</i></p>
	<p>Top support for inserts size 6B «44x27» <i>Supporto superiore per inserti grandezza 6B«44x27»</i></p> <p>Top support for inserts size 10B «57x27» <i>Supporto superiore per inserti grandezza 10B«57x27»</i></p> <p>Top support for inserts size 16B «77x27» <i>Supporto superiore per inserti grandezza 16B«77x27»</i></p> <p>Top support for inserts size 24B «104x27» <i>Supporto superiore per inserti grandezza 24B«104x27»</i></p> <p>Removal tool for inserts (see section 60) <i>Utensile estrattore per inserti (vedere sezione 60)</i></p>	<p>7006.7000.0</p> <p>7010.7000.0</p> <p>7016.7000.0</p> <p>7024.7000.0</p> <p>8500.7912.0</p>
<p>Base support <i>Supporto inferiore</i></p>	<p>Base support plate for inserts size 6B, 10B, 16B, 24B <i>Supporto inferiore per inserti grandezze 6B, 10B, 16B, 24B</i></p>	<p>7000.7000.0</p>
	<p>Complete support composed of 1 top support and 1 base support. <i>Supporto completo composto da 1 supporto superiore e 1 inferiore.</i></p>	
	<p>Complete set for 6B «44x27» inserts <i>Kit completo per inserti grandezza 6B«44x27»</i></p> <p>Complete set for 10B «57x27» inserts <i>Kit completo per inserti grandezza 10B«57x27»</i></p> <p>Complete set for 16B «77x27» inserts <i>Kit completo per inserti grandezza 16B«77x27»</i></p> <p>Complete set for 24B «104x27» inserts <i>Kit completo per inserti grandezza 24B«104x27»</i></p> <p>For inserts / <i>Per inserti</i> Series: S-D, S-DD, S-E, S-EP, S-EE, S-EHV, S-ESHV, S-HSB, S-K</p>	<p>7006.7009.0</p> <p>7010.7009.0</p> <p>7016.7009.0</p> <p>7024.7009.0</p>

Covers with gasket for bulkhead housings
Coperture con guarnizione per custodie da incasso

Size
Grandezza

Part No.
Codice



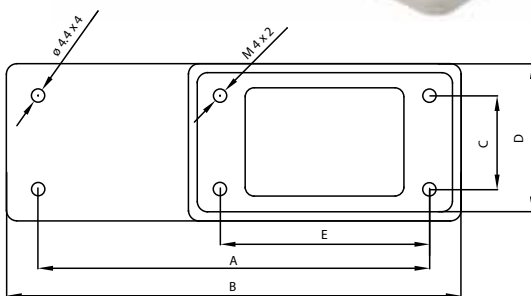
The covers allow to close the cut out for bulkhead housing on panel if not used.
Permettono di chiudere la foratura del pannello quando non vengono assemblate le custodie da incasso.

Size Grandezza	A	B	C	D
6B	70	90,5	32	52
10B	83	103	32	52
16B	103	123,5	32	52
24B	130	150,6	32	52



For bulkhead housing size

Per custodie da incasso grandezza



They allow the use of bulkhead housing with smaller size
Permettono l'uso di custodie da incasso di grandezza inferiore rispetto alla foratura del pannello.

6B «44x27»

7000.7054.0

10B «57x27»

7000.7055.0

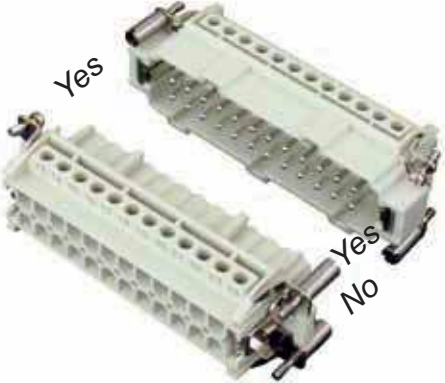


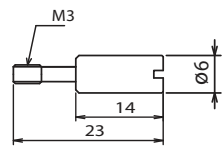
16B «77x27»

7000.7056.0

Closure size Grandezza delle coperture	Bulkhead housings Custodie da incasso	A	B	C	D	E
24B «104x27»	6B «44x27»	130	150	32	52	70
24B «104x27»	10B «57x27»	130	150	32	52	83
24B «104x27»	16B «77x27»	130	150	32	52	103

- Material: Thermoplastic material grey RAL 7044
Materiale: Materiale termoplastico grigio RAL 7044

with gasket
con guarnizione

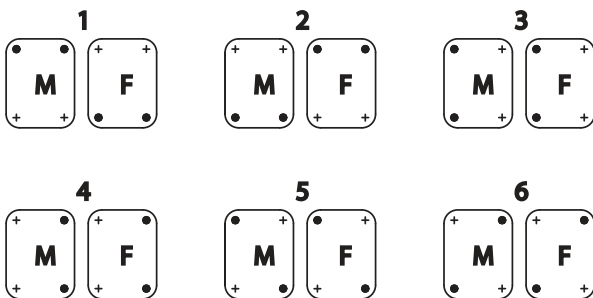
Selectivity using single code pins Selettività ottenuta con il perno di codifica semplice	Material Materiale	Part No. Codice
 <p>CE </p>	 	<p>Stainless steel Acciaio inox 7000.6874.0</p> <p>Zinc-plated steel Acciaio zincato 7000.6874.3</p>

Applications:

When a number of identical connectors with different functions are mounted closely together these must be selected carefully in order to prevent the coupling of a mobile part on a non-corresponding fixed part and consequent damage and breakdown.

Code pins are supplied to be applied in place of the normal insert fastening screws. In this way the coupling of identical connectors is assured. The combination of code pins makes possible to obtain a high number of selective couplings.

Application with single insert
 Applicazioni con singolo inserto



- Code pin - Perno di codifica
- + Normal fixing screw - Normale vite di fissaggio
- M Male insert - Inserto maschio
- F Female insert - Inserto femmina

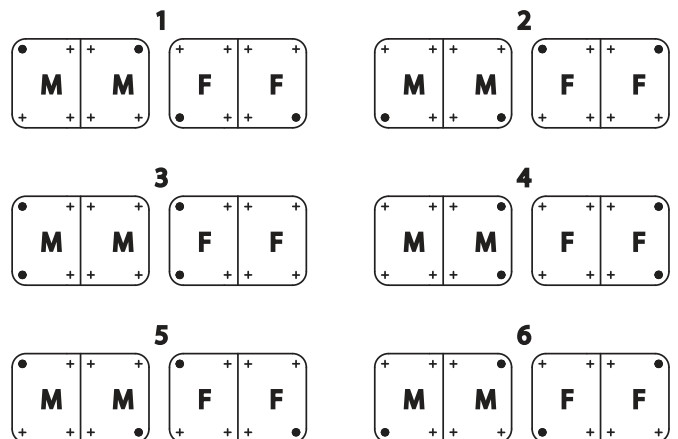
Applicazioni:

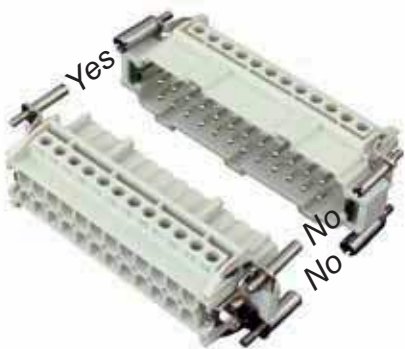
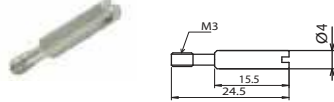
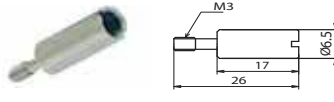
Montando avvicinati più connettori identici, con funzioni differenti, può essere necessaria una selezione degli stessi al fine di impedire l'accoppiamento di una parte mobile su una fissa non corrispondente con conseguenti danni o guasti.

A questo scopo sono stati realizzati degli appositi perni di codifica da montare al posto delle normali viti di fissaggio degli inserti, in modo da creare impedimenti e vincoli all'accoppiamento di più connettori identici.

Con la combinazione di più perni di codifica è possibile creare un elevato numero di accoppiamenti selettivi.

Application with double inserts
 Applicazioni con inserti doppi



Selectivity using double code pins <i>Selettività ottenuta con perni di codifica doppi</i>	Material <i>Materiale</i>	Part No. <i>Codice</i>
	Male code pin <i>Perno di codifica maschio</i> 	Stainless steel <i>Acciaio inox</i> 7000.6875.0 Zinc-plated steel <i>Acciaio zincato</i> 7000.6875.3
	Female code pin <i>Perno di codifica femmina</i> 	Stainless steel <i>Acciaio inox</i> 7000.6876.0 Zinc-plated steel <i>Acciaio zincato</i> 7000.6876.3

- Male code pin - *Perno di codifica maschio*
- Female code pin - *Perno di codifica femmina*
- + Normal fixing screw - *Normale vite di fissaggio*
- M Male insert - *Inserto maschio*
- F Female insert - *Inserto femmina*

When a number of identical connectors with different functions are mounted closely together these must be selected carefully in order to prevent the coupling of a mobile part on a non-corresponding fixed part and consequent damage and breakdown.

Code pins are supplied to be applied in place of the normal insert fastening screws. In this way the coupling of identical connectors is assured. The combination of code pins makes possible to obtain a high number of selective couplings (16 combinations max).

Even when coding is not necessary, the use of male/female code pins with the inserts is advisable to limit fluctuation during the insertion and removal of the connectors and to prevent damage of the contacts. Within this context the DIN 43652 standard requires an angular longitudinal fluctuation limit of $\pm 5^\circ$.

We can provide inserts with code pins instead of normal fixing screws on special request.

Montando avvicinati più connettori identici, con funzioni differenti, può essere necessaria una selezione degli stessi al fine di impedire l'accoppiamento di una parte mobile su una fissa non corrispondente con conseguenti danni o avarie.

A questo scopo sono stati realizzati degli appositi perni di codifica da montare al posto delle normali viti di fissaggio degli inserti, in modo da creare impedimenti e vincoli all'accoppiamento di più connettori identici.

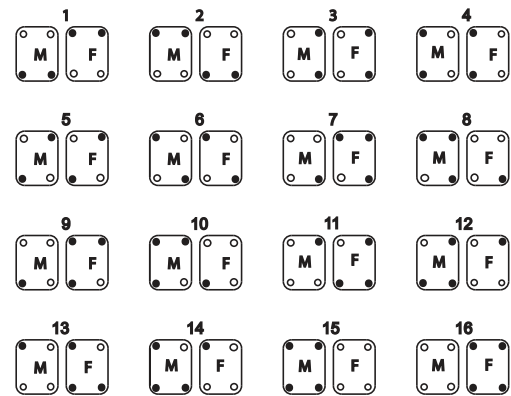
Con la combinazione di più perni di codifica è possibile creare un elevato numero di accoppiamenti selettivi.

Anche quando non è necessaria la codifica, è consigliabile l'impiego dei perni con gli inserti per limitare la fluttuazione in fase di inserzione ed evitare il danneggiamento dei contatti.

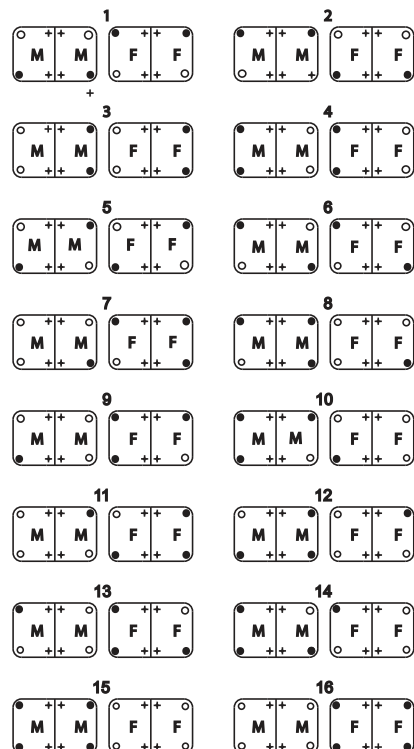
La norma DIN 43652 richiede un limite di fluttuazione angolare longitudinale massimo di $\pm 5^\circ$.


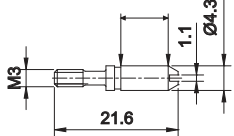

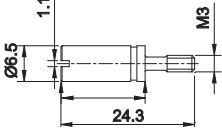
Possiamo fornire, su richiesta, inserti con assemblati i perni di codifica al posto delle normali viti di fissaggio.

Application with single insert
Applicazioni con singolo inserto



Application with double inserts
Applicazioni in connettori con doppi inserti



Selectivity using double code pins <i>Selettività ottenuta con perni di codifica doppi</i>	Material <i>Materiale</i>	Part No. <i>Codice</i>
  <p>Male code pin <i>Perno di codifica maschio</i></p>	Stainless steel <i>Acciaio inox</i>	7700.3561.0
  <p>Female code pin <i>Perno di codifica femmina</i></p>	Stainless steel <i>Acciaio inox</i>	7700.3562.0

- Male code pin - *Perno di codifica maschio*
- Female code pin - *Perno di codifica femmina*
- + Normal fixing screw - *Normale vite di fissaggio*
- M Male insert - *Inserto maschio*
- F Female insert - *Inserto femmina*

When a number of identical connectors with different functions are mounted closely together these must be selected carefully in order to prevent the coupling of a mobile part on a non-corresponding fixed part and consequent damage and breakdown.

Code pins are supplied to be applied in place of the normal insert fastening screws. In this way the coupling of identical connectors is assured. The combination of code pins makes possible to obtain a high number of selective couplings (16 combinations max).

Even when coding is not necessary, the use of male/female code pins with the inserts is advisable to limit fluctuation during the insertion and removal of the connectors and to prevent damage of the contacts. Within this context the DIN 43652 standard requires an angular longitudinal fluctuation limit of $\pm 5^\circ$.

We can provide inserts with code pins instead of normal fixing screws on special request.

Montando avvicinati più connettori identici, con funzioni differenti, può essere necessaria una selezione degli stessi al fine di impedire l'accoppiamento di una parte mobile su una fissa non corrispondente con conseguenti danni o avarie.

A questo scopo sono stati realizzati degli appositi perni di codifica da montare al posto delle normali viti di fissaggio degli inserti, in modo da creare impedimenti e vincoli all'accoppiamento di più connettori identici.

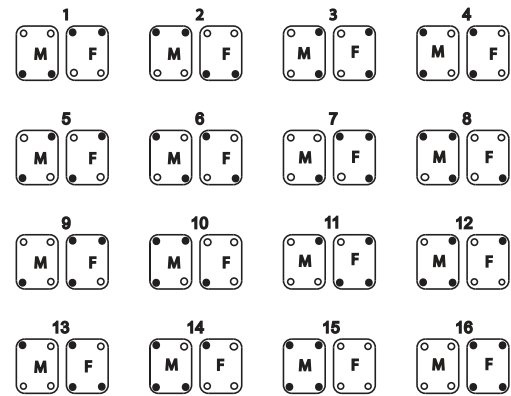
Con la combinazione di più perni di codifica è possibile creare un elevato numero di accoppiamenti selettivi.

Anche quando non è necessaria la codifica, è consigliabile l'impiego dei perni con gli inserti per limitare la fluttuazione in fase di inserzione ed evitare il danneggiamento dei contatti.

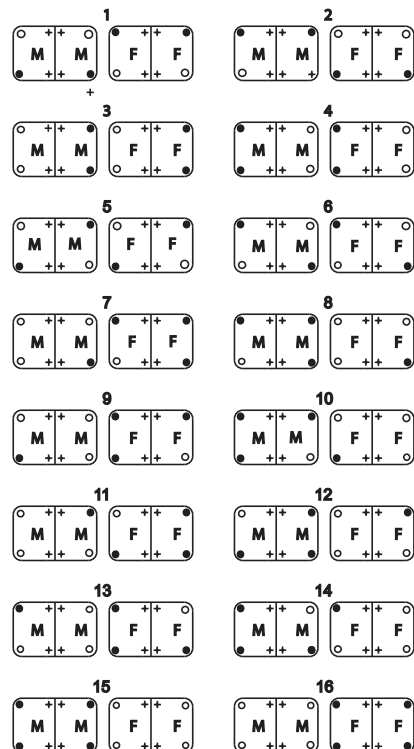
La norma DIN 43652 richiede un limite di fluttuazione angolare longitudinale massimo di $\pm 5^\circ$.



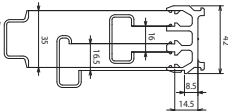

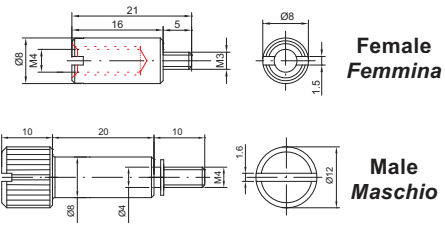

Possiamo fornire, su richiesta, inserti con assemblati i perni di codifica al posto delle normali viti di fissaggio.







Application with single insert
Applicazioni con singolo inserto

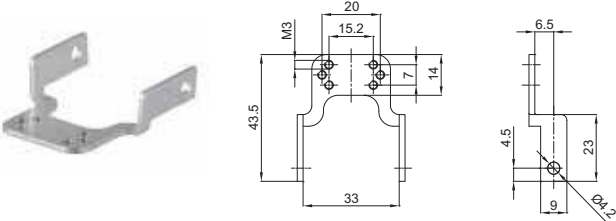
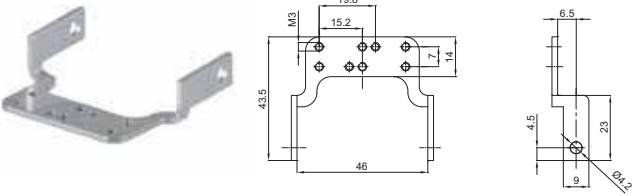
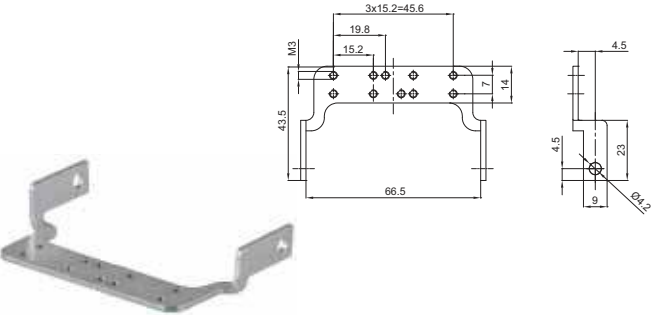
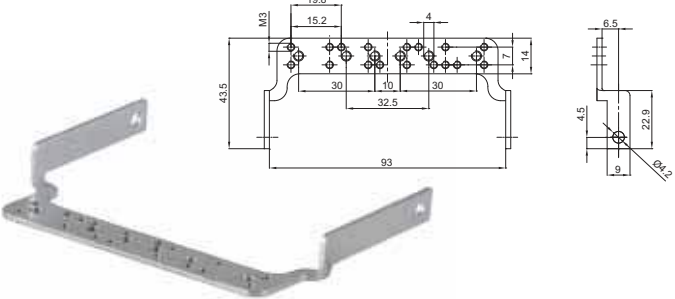
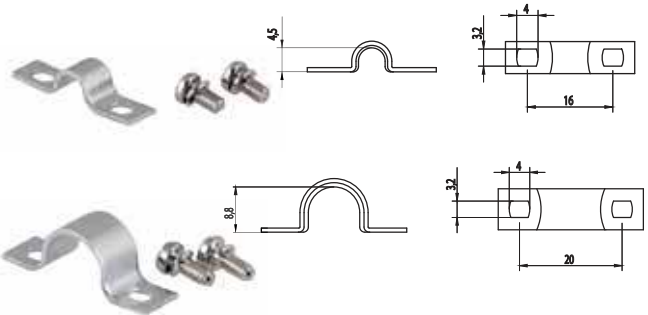


Application with double inserts
Applicazioni in connettori con doppi inserti


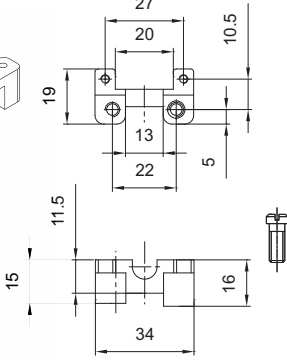

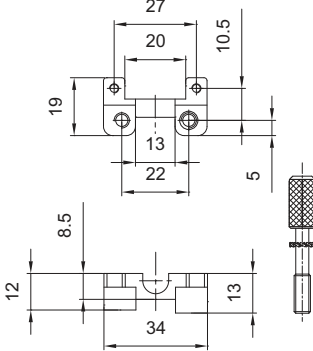

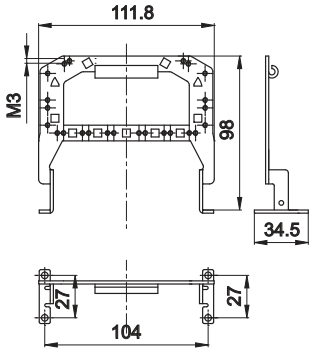


Description - Descrizione		Part No. Codice
<p>Identification tags <i>Targhette di identificazione</i></p>  <p>RoHS</p>	<p>The identification tags shall be used with the inserts with terminal block S-EAV series. They are supplied in a strip of 45 tags detachable in single contour tag. Packing: box 540 pcs.</p> <p><i>Le targhette di idetificazione devono essere usate negli inserti con morsettiere serie S-EAV. Esse sono fornite in strisce di 45 targhette staccabili singolarmente. Imballo: Scatola 540 pz.</i></p> <p>Dimensions - Dimensioni: 10x5mm</p> <p>Material - Materiale: PC</p> <p>Color - Colore: White - Bianco</p> <p>Temperature - Temperatura: -50°C ÷ +120°C</p> <p>Flammability - Autoestingenza: UL-90 V0</p> <p>Compatibility - Compatibilità: Legrand Weiland Telemecanique Grafoplast / 3M</p> <p>Printing - Stampante: By thermal transfer printer SI2K Con stampanti a trasferimento termico SI2K</p>	<p>7000.6886.0</p> <p>Box Scatola</p>
	<p>Support for inserts with terminal block on DIN rail see also page 03.02 <i>Supporto per inserti con morsettiere su guida DIN Vedere anche pagina 03.02</i></p> 	<p>7400.6836.0</p>
	<p>Insert coupling screw - Viti di accoppiamento per inserti</p> <p>Coupling screws for inserts without enclosures The use of 7400.6877.0 (female) and 7400.6878.0 (male) coupling screws is recommended to guarantee the stable and safe coupling between inserts without enclosures</p> <p><i>Impiego di viti di accoppiamento per inserti senza custodie</i> Per garantire un accoppiamento stabile e sicuro fra gli inserti senza custodie è raccomandabile l'impegno delle viti di accoppiamento 7400.6877.0 (femmina) e 7400.6879.0 (maschio) da sostituire alle normali viti di fissaggio alle custodie</p>  <p>Female Femmina</p> <p>Male Maschio</p>	<p>7400.6877.0</p> <p>7400.6878.0</p>
	<p>Extension ground terminal <i>Estensione per il terminale di terra</i></p> <p>Right type Destro</p> <p>Left type Sinistro</p> <p>M4 assembly screw Vite per l'assemblaggio M4</p>	<p>5341.3860.0</p> <p>5341.3340.0</p> <p>5821.3372.0</p>

Description - Descrizione		Part No. Codice
	<p>Coding pin for female inserts that use 10A crimp contacts (S-D, S-DD, S-Q7, S-Q12, S-QD17, S-M) With loss of one contact</p> <p><i>Pin di codifica per inserti femmina che utilizzano contatti a crimpare da 10A (serie S-D, S-DD, S-Q7, S-Q12, S-QD17, S-M) Con perdita di un contatto</i></p>	7000.6881.0
	<p>Coding pin for female inserts that use 16A crimp contacts (S-A, S-EC, S-EE, S-EEE, S-EHV, S-Q5, S-QD8 series) With loss of one contact</p> <p><i>Pin di codifica per inserti femmina che utilizzano contatti a crimpare da 16A (serie S-A, S-EC, S-EE, S-EEE, S-EHV, S-Q5, S-QD8) Con perdita di un contatto</i></p>	7000.6882.0
	<p>Polarization key for male and female insert S-Q2/0 series 2 keys for each insert needed See also page 07.02, 07.03</p> <p><i>Chiavi di polarizzazione per inserti maschio e femmina serie S-Q2/0 Sono necessarie 2 chiavi per ciascun inserto Vedere pagine 07.02, 07.03</i></p>	7600.5820.0
 	<p>Polarization key for female insert S-Q7/0 series See also page 07.07 <i>Chiave di polarizzazione per inserto femmina serie S-Q7/0 Vedere pagine 07.07</i></p> <p>Polarization key for male insert serie S-Q7/0 See also page 07.07 <i>Chiave di polarizzazione per inserto maschio serie S-Q7/0 Vedere pagine 07.07</i></p>	7000.6887.0 7000.6888.0
	<p>Polarization key for male and female insert S-Q12/0 series 2 keys for each insert needed See also page 07.09 <i>Chiave di polarizzazione per inserto maschio e femmina serie S-Q12/0 Sono necessarie 2 chiavi per ciascun inserto Vedere pagine 07.09</i></p>	7000.6883.0
<p>Applications:</p> <p>Each series has a particular shape, consequently the coupling between inserts of different series is not possible. Assembling of inserts of same series and same numbers of poles, inserts coding system to avoid wrong coupling is necessary. Coding pins and polarization key conveniently placed avoid the risk of miscouplig.</p>	<p>Applicazioni:</p> <p>Ciascuna serie di inserti ha delle caratteristiche di forma tali per cui è impossibile un accoppiamento errato tra inserti differenti. Assemblando inserti della stessa serie e con lo stesso numero di poli è necessario codificare gli stessi in modo da impedire l'accoppiamento errato. I perni di codifica e le chiavi di polarizzazione posizionati opportunamente annullano tale rischio</p>	

For inserts series: S-D, S-DD, S-E, S-EST, S-ES, S-EP, S-EE, S-HSB, S-EHV, S-ESHV, S-K Per inserti serie: S-D, S-DD, S-E, S-EST, S-ES, S-EP, S-EE, S-HSB, S-EHV, S-ESHV, S-K	Part No. Codice
 <p>For inserts size 6B «44 x 27» in bulkhead housings and hoods type HC (High construction top entry)</p> <p><i>Per inserti grandezza 6B «44 x 27» in custodie da incasso e mobili tipo HC (High construction ingresso verticale)</i></p> <p>Material: Zinc-plated steel <i>Materiale: Acciaio zincato</i></p>	7000.6855.0
 <p>For inserts size 10B «57 x 27» in bulkhead housings and hoods type HC (High construction top entry)</p> <p><i>Per inserti grandezza 10B «57 x 27» in custodie da incasso e mobili tipo HC (High construction ingresso verticale)</i></p> <p>Material: Zinc-plated steel <i>Materiale: Acciaio zincato</i></p>	7000.6856.0
 <p>For inserts size 16B «77 x 27» in bulkhead housings and hoods type HC (High construction top entry)</p> <p><i>Per inserti grandezza 16B «77 x 27» in custodie da incasso e mobili tipo HC (High construction ingresso verticale)</i></p> <p>Material: Zinc-plated steel <i>Materiale: Acciaio zincato</i></p>	7000.6857.0
 <p>For inserts size 24B «104 x 27» in bulkhead housings and hoods type HC (High construction top entry)</p> <p><i>Per inserti grandezza 24B «104 x 27» in custodie da incasso e mobili tipo HC (High construction ingresso verticale)</i></p> <p>Material: Zinc-plated steel <i>Materiale: Acciaio zincato</i></p>	7000.6858.0
 <p>Clamp for ground terminals for cable Dia. 5 mm <i>Cavalotto per terminali di terra per cavi diame- tro 5 mm</i></p> <p>Clamp for ground terminals for cable Dia. 10 mm <i>Cavalotto per terminali di terra per cavi diame- tro 10 mm</i></p> <p>Material: Zinc-plated steel <i>Materiale: Acciaio zincato</i></p>	7000.6853.0 7000.6854.0

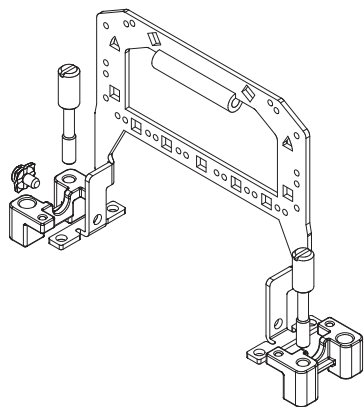
For frame for modular inserts Per telaietti per inserti modulari		Part No. Codice
	<p>For inserts size 6B «44 x 27» in bulkhead housings and hoods type HC (High construction top entry)</p> <p><i>Per inserti grandezza 6B «44 x 27» in custodie da incasso e mobili tipo HC (High construction ingresso verticale)</i></p> <p>Material: Zinc-plated steel, thickness 2 mm Materiale: Acciaio zincato, spessore 2 mm</p>	7000.6860.0
	<p>For inserts size 10B «57 x 27» in bulkhead housings and hoods type HC (High construction top entry)</p> <p><i>Per inserti grandezza 10B «57 x 27» in custodie da incasso e mobili tipo HC (High construction ingresso verticale)</i></p> <p>Material: Zinc-plated steel, thickness 2 mm Materiale: Acciaio zincato, spessore 2 mm</p>	7000.6861.0
	<p>For inserts size 16B «77 x 27» in bulkhead housings and hoods type HC (High construction top entry)</p> <p><i>Per inserti grandezza 16B «77 x 27» in custodie da incasso e mobili tipo HC (High construction ingresso verticale)</i></p> <p>Material: Zinc-plated steel, thickness 2 mm Materiale: Acciaio zincato, spessore 2 mm</p>	7000.6862.0
	<p>For inserts size 24B «104 x 27» in bulkhead housings and hoods type HC (High construction top entry)</p> <p><i>Per inserti grandezza 24B «104 x 27» in custodie da incasso e mobili tipo HC (High construction ingresso verticale)</i></p> <p>Material: Zinc-plated steel, thickness 2 mm Materiale: Acciaio zincato, spessore 2 mm</p>	7000.6863.0
	<p>Clamp for ground terminals for cable Dia. 5 mm Cavallotto per terminali di terra per cavi diametro 5 mm</p>	7000.6853.0
	<p>Clamp for ground terminals for cable Dia. 10 mm Cavallotto per terminali di terra per cavi diametro 10 mm</p> <p>Material: Zinc-plated steel Materiale: Acciaio zincato</p>	7000.6854.0

Description - Descrizione	Part No. Codice
  <p>Inserts screw locking adapter with 2 short screws. For all inserts and frames for modules size "B"</p> <p>Material: Adapter Nickel-plated zinc alloy (2 pcs) Screws Nickel-plated steel (2 pcs)</p> <p>Adattatore per il bloccaggio a vite con 2 viti corte. Per tutti gli inserti ed i telai per moduli grandezza "B".</p> <p>Materiale: Adattatore Lega di zinco nichelato (2 pz.) Viti Acciaio nichelato (2 pz.)</p>	<p>7000.6910.0</p>
  <p>Inserts screw locking adapter with 2 long screws. For all inserts and frames for modules size "B"</p> <p>Material: Adapter Nickel-plated zinc alloy (2 pcs) Screws Nickel-plated steel (2 pcs)</p> <p>Adattatore per bloccaggio a vite con 2 viti lunghe. Per tutti gli inserti ed i telai per moduli grandezza "B".</p> <p>Materiale: Adattatore Lega di zinco nichelato (2 pz.) Viti Acciaio nichelato (2 pz.)</p>	<p>7000.6911.0</p>
  <p>Grip frame for wires and shielded cables for inserts size 24B only It allows multiple shield connections with grip frame. Cables can be fixed with clamps 7000.6853.0 and 7000.6854.0 or cable ties</p> <p>Ancoraggio per conduttori e cavi schermati solo per inserti grandezza 24B Consente la connessione multipla degli schemi attraverso l'ancoraggio stesso I cavi possono essere fissati tramite i cavallotti metallici 7000.6853.0 e 7000.6854.0 o tramite fascette.</p> <p>Material: Zinc-plated steel Materiale: Acciaio zincato</p>	<p>7000.6908.0</p>

Description - Descrizione

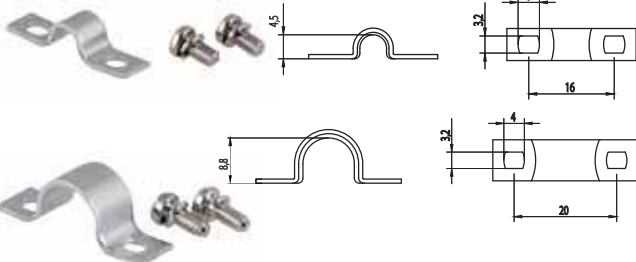
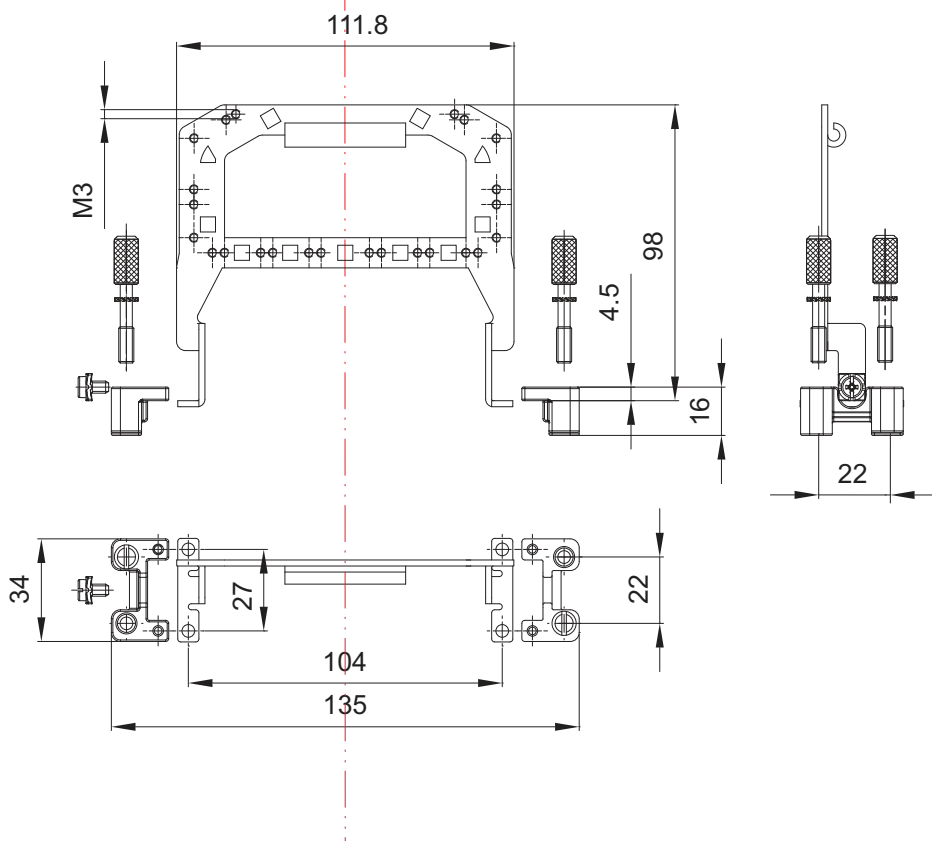
Part No.
Codice

7000.6909.0



Grip frame for wires and shielded cables for inserts size 24B only, with long screws and long adapters (16mm).
 It allows multiple shield connection with clamp 7000.6853.0 and 7000.6854.0 or cable ties.

*Ancoraggio per conduttori e cavi schermati
 Solo per inserti grandezza 24B con viti lunghe
 ed adattatori lunghi (16mm).
 Consente l'ancoraggio tramite i cavallotti
 7000.6853.0 e 7000.6854.0 o con fascette.*



Clamp for ground terminals for cable Dia. 5 mm
 Cavallotto per terminali di terra per cavi diametro 5 mm

7000.6853.0

Clamp for ground terminals for cable Dia. 10 mm
 Cavallotto per terminali di terra per cavi diametro 10 mm

7000.6854.0

Material: Zinc-plated steel
 Materiale: Acciaio zincato

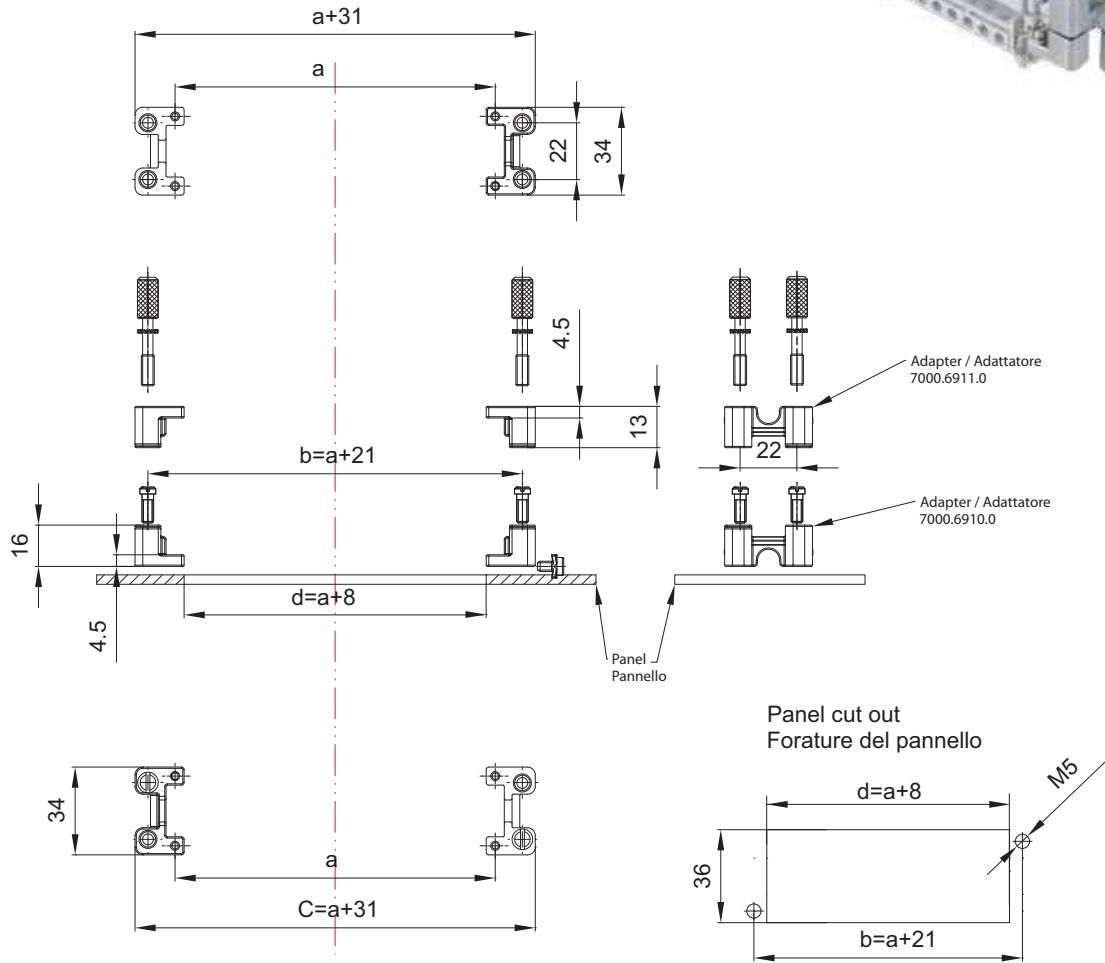
Description - Descrizione

Applications:

Inserts bulkhead mounting without grip frame.

Applicazioni:

Inserti con fissaggio da pannello ed inserto senza ancoraggio cavi



Size Grandezza	a	b (a-21)	C (a+31)	d
6B «44x27»	44	65	75	52
10B «57x27»	57	78	88	65
16B «77x27»	77,5	98,5	108,5	85,5
24B «104x27»	104	125	135	112

- For inserts size 6B, 10B, 16B, 24B.
- The 2 adapters assembled on each insert allow the locking without enclosures
- Per Inserti grandezza 6B, 10B, 16B, 24B.
- I 2 adattatori assemblati sugli inserti consentono il bloccaggio senza le custodie

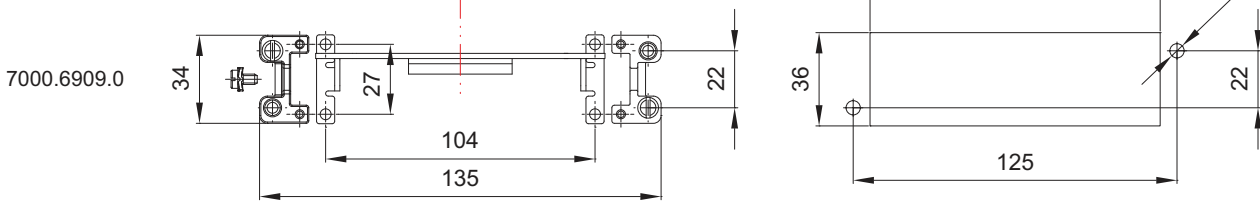
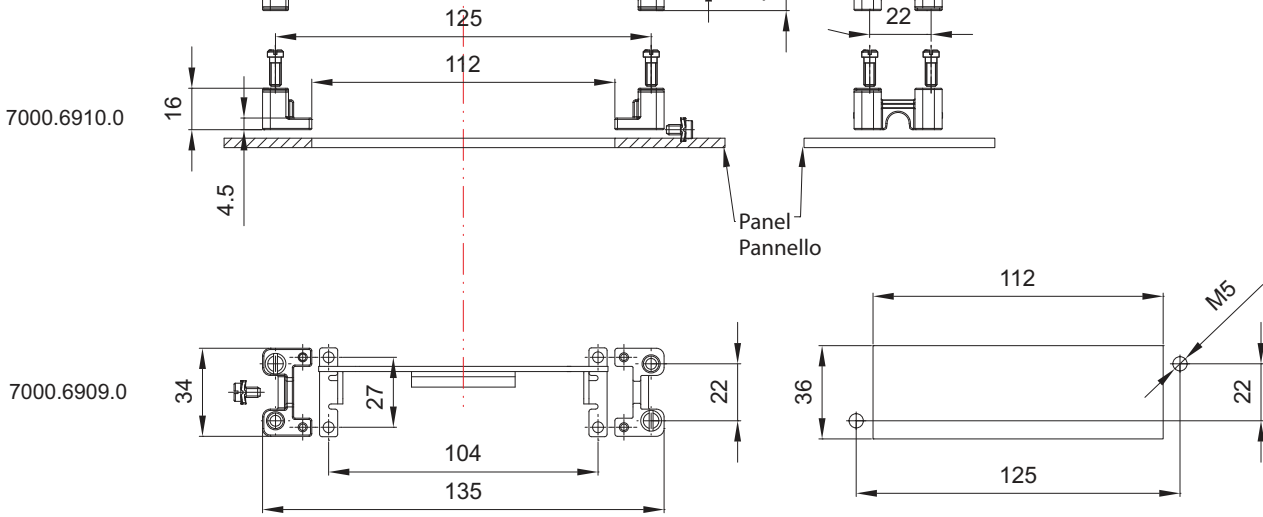
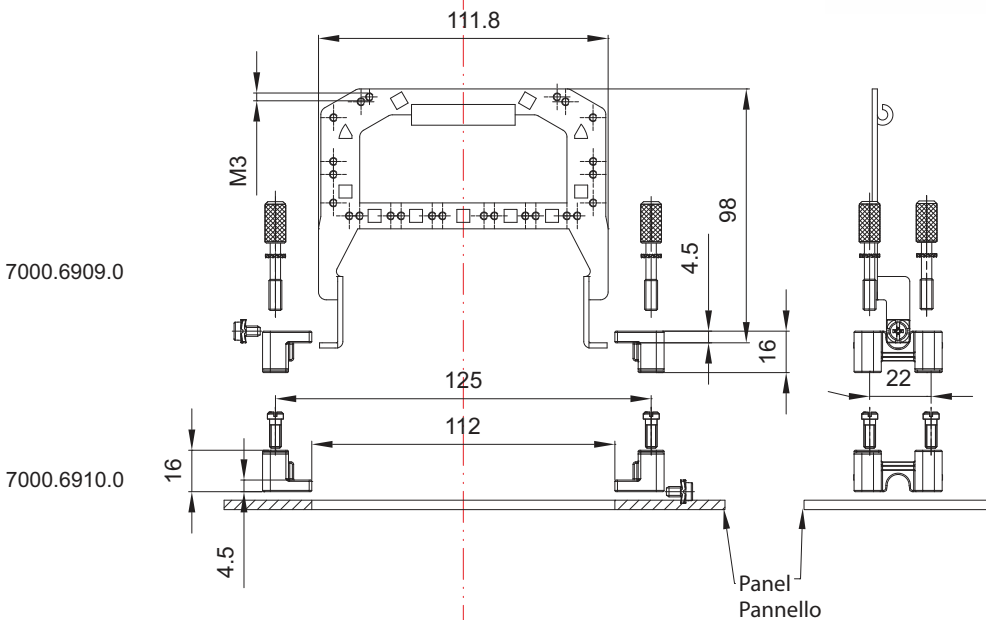
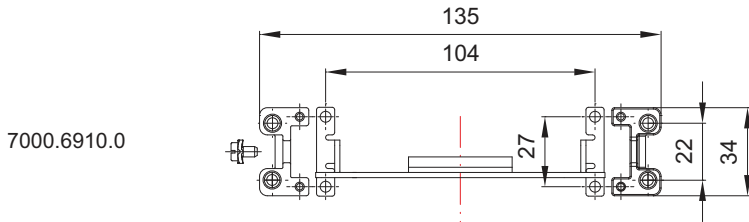
Description - Descrizione

Applications:

Insert bulkhead mounting + insert with grip frame.

Applicazioni:

Inserto da pannello con inserto mobile con ancoraggio cavi.



Panel cut out
 Forature del pannello

- For inserts size 24B «104x27».

- Per Inserti grandezza 24B «104x27».

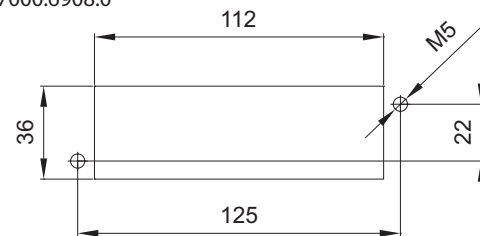
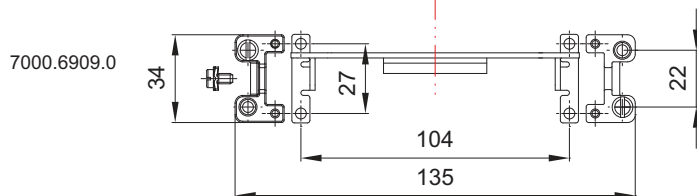
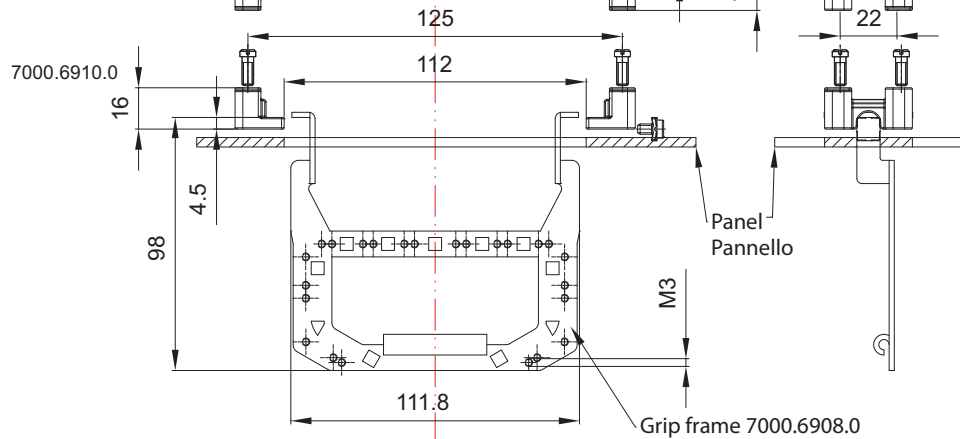
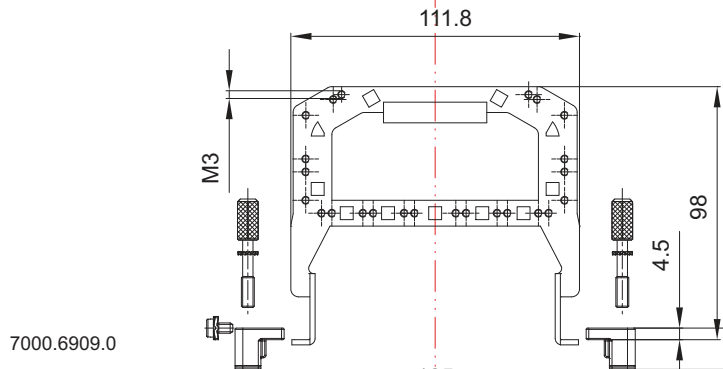
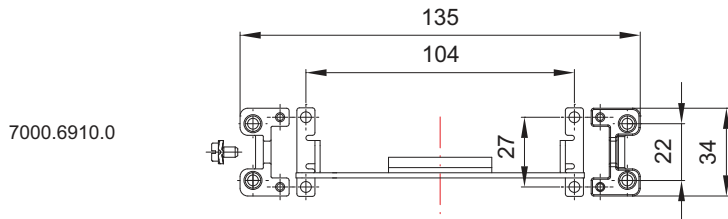
Description - Descrizione

Applications:

Insert bulkhead mounting + insert with grip frame on both sides.

Applicazioni:

Inserto da pannello con inserto mobile con ancoraggio cavi in entrambi i lati.



Panel cut out
 Forature del pannello

- For inserts size 24B «104x27».

- Per Inserti grandezza 24B «104x27».

For single conductor
Per conduttore singolo



The bush terminals are convenient for connecting stranded wires to connector inserts and terminal blocks with screw terminals. They are in accordance with DIN 46228/4

Materials:
 Copper tin plated (insulation - PP)
 Colors in accordance DIN STD and French standard

Crimping tools see section 60.xx

I terminali a tubetto sono utilizzati convenientemente per connettere cavi flessibili a connettori e morsettiere con terminali a vite. Realizzati secondo le norme DIN 46228/4

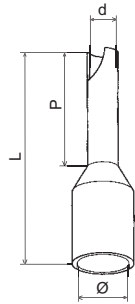
Materiali:
 Rame stagnato (Isolante in PP)
 Colori secondo DIN STD e standard francese

Attrezzi per crimpare vedere sezione 60.xx

Packing Confezione	ø	d	P	L	AWG	Wire Filo	Color Colore			Type Tipo	Part No. Codice
							DIN	French	German		
500	2,6	0,8	6	12	22	0,35			Orange	S0306	7001.8011.3
500	2,6	0,8	6	12	22	0,35	White	White		S0306	7001.8011.9
500	2,6	0,8	8	14	22	0,35			Orange	S0308	7001.8012.3
500	2,6	0,8	8	14	22	0,35	White	White		S0308	7001.8012.9
500	2,6	0,8	10	16	22	0,35	White	White		S0310	7001.8013.9
500	2,6	1	6	12	20	0,5	White	White		S0506	7001.8001.9
500	2,6	1	8	14	20	0,5	White	White		S0508	7001.8002.9
500	2,6	1	10	16	20	0,5	White	White		S0510	7001.8003.9
500	2,8	1,2	6	12,4	18	0,75			White	S7506	7001.8021.9
500	2,8	1,2	6	12,4	18	0,75	Grey			S7506	7001.8021.8
500	2,8	1,2	8	14,6	18	0,75			White	S7508	7001.8022.9
500	2,8	1,2	8	14,6	18	0,75	Grey			S7508	7001.8022.8
500	2,8	1,2	10	16,4	18	0,75	Grey			S7510	7001.8023.8
500	2,8	1,2	12	18,4	18	0,75			White	S7512	7001.8024.9
500	2,8	1,2	12	18,4	18	0,75	Grey			S7512	7001.8024.8
500	2,8	1,2	8	14,6	18	0,75		Blue		S7508	7001.8022.6
500	3,0	1,4	6	12,3	17	1,0			Yellow	S1006	7001.8031.4
500	3,0	1,4	6	12,3	17	1,0	Red	Red		S1006	7001.8031.2
500	3,0	1,4	8	14,3	17	1,0			Yellow	S1008	7001.8032.4
500	3,0	1,4	8	14,3	17	1,0	Red	Red		S1008	7001.8032.2
500	3,0	1,4	10	16,3	17	1,0	Red	Red		S1010	7001.8033.2
500	3,0	1,4	12	18,3	17	1,0			Yellow	S1012	7001.8034.4
500	3,0	1,4	12	18,3	17	1,0	Red	Red		S1012	7001.8034.2
500	3,5	1,7	8	14,3	16	1,5			Red	S1508	7001.8041.2
500	3,5	1,7	8	14,3	16	1,5	Black	Black		S1508	7001.8041.0
500	3,5	1,7	10	16,3	16	1,5			Red	S1510	7001.8042.2
500	3,5	1,7	10	16,3	16	1,5	Black	Black		S1510	7001.8042.0
500	3,5	1,7	12	18,3	16	1,5	Black	Black		S1512	7001.8043.0
500	3,5	1,7	18	24,3	16	1,5			Red	S1518	7001.8044.2
500	3,5	1,7	18	24,3	16	1,5	Black	Black		S1518	7001.8044.0
500	4,2	2,3	8	15,4	14	2,5	Blue		Blue	S2508	7001.8051.6
500	4,2	2,3	12	19,4	14	2,5	Blue		Blue	S2512	7001.8052.6
500	4,2	2,3	18	25,4	14	2,5	Blue		Blue	S2518	7001.8053.6
500	4,2	2,3	8	15,4	14	2,5		Grey		S2508	7001.8051.8
500	4,2	2,3	12	19,4	14	2,5		Grey		S2512	7001.8052.8
500	4,2	2,3	18	25,4	14	2,5		Grey		S2518	7001.8053.8
200	4,8	2,8	10	17,4	12	4,0	Grey		Grey	S4010	7001.8061.8
200	4,8	2,8	12	19,4	12	4,0	Grey		Grey	S4012	7001.8062.8
200	4,8	2,8	18	25,4	12	4,0	Grey		Grey	S4018	7001.8063.8
200	4,8	2,8	10	17,4	12	4,0		Orange		S4010	7001.8061.3
200	4,8	2,8	12	19,4	12	4,0		Orange		S4012	7001.8062.3
200	4,8	2,8	18	25,4	12	4,0		Orange		S4018	7001.8063.3
100	6,3	3,5	12	20,5	10	6,0			Black	S6012	7001.8071.0
100	6,3	3,5	12	20,5	10	6,0	Yellow			S6012	7001.8071.4
100	6,3	3,5	18	26,5	10	6,0			Black	S6018	7001.8072.0
100	6,3	3,5	18	26,5	10	6,0	Yellow			S6018	7001.8072.4
100	6,3	3,5	12	20,5	10	6,0		Green		S6012	7001.8071.5
100	6,3	3,5	18	26,5	10	6,0		Green		S6018	7001.8072.5

For single conductor: S type
Per conduttore singolo: tipo S

For single conductor
Per conduttore singolo




For double conductor
Per conduttore doppio


























Packing Confezione	ø	d	P	L	AWG	Wire Filo m ²	Color Colore			Type Tipo	Part No. Codice
							DIN	French	German		
100	7,6	4,5	12	20,8	7	10			White	S1012	7001.8081.9
100	7,6	4,5	12	20,8	7	10	Red			S1012	7001.8081.2
100	7,6	4,5	18	26,8	7	10			White	S1018	7001.8082.9
100	7,6	4,5	18	26,8	7	10	Red			S1018	7001.8082.2
100	7,6	4,5	12	20,8	7	10		Brown		S1012	7001.8081.1
100	7,6	4,5	18	26,8	7	10		Brown		S1018	7001.8082.1
100	8,8	5,8	12	22,0	6	16			Green	S1612	7001.8091.5
100	8,8	5,8	12	22,0	6	16	Blue			S1612	7001.8091.6
100	8,8	5,8	18	28,0	6	16			Green	S1618	7001.8092.5
100	8,8	5,8	18	28,0	6	16	Blue			S1618	7001.8092.6
100	8,8	5,8	12	22,0	6	16		White		S1612	7001.8091.9
100	8,8	5,8	18	28,0	6	16		White		S1618	7001.8092.9
50	11,2	7,5	16	28,0	3	25			Brown	S2516	7001.8101.1
50	11,2	7,5	16	28,0	3	25	Yellow			S2516	7001.8101.4
50	11,2	7,5	22	34,0	3	25			Brown	S2522	7001.8102.1
50	11,2	7,5	22	34,0	3	25	Yellow			S2522	7001.8102.4
50	11,2	7,5	16	28,0	3	25		Black		S2516	7001.8101.0
50	11,2	7,5	22	34,0	3	25		Black		S2522	7001.8102.0
50	12,7	8,6	16	30,0	2	35			Beige	S3516	7001.8111.9
50	12,7	8,6	16	30,0	2	35	Red	Red		S3516	7001.8111.2
50	12,7	8,6	25	39,0	2	35			Beige	S3525	7001.8112.9
50	12,7	8,6	25	39,0	2	35	Red	Red		S3525	7001.8112.2
50	15,0	10,3	20	36,0	1	50			Green	S5020	7001.8121.5
50	15,0	10,3	20	36,0	1	50	Blue	Blue		S5020	7001.8121.6
50	15,0	10,3	25	41,0	1	50			Green	S5025	7001.8122.5
50	15,0	10,3	25	41,0	1	50	Blue	Blue		S5025	7001.8122.6
For double conductor: D type - Per conduttore doppio: tipo D											
500	5,2x2,6	1,5	8	14,5	2x20	2x0,5	White			D0508	7001.8150.9
500	5,2x2,6	1,8	8	14,5	2x18	2x0,75	Grey			D7508	7001.8151.8
500	5,2x2,6	1,8	10	16,7	2x18	2x0,75	Grey			D7510	7001.8152.8
500	5,5x3,2	2,0	8	15,1	2x17	2x1,0	Red			D1008	7001.8161.2
500	5,5x3,2	2,0	10	17,1	2x17	2x1,0	Red			D1010	7001.8162.2
500	6,4x3,6	2,3	8	15,5	2x16	2x1,5	Black			D1508	7001.8171.0
500	6,4x3,6	2,3	12	19,5	2x16	2x1,5	Black			D1512	7001.8172.0
500	8x4,3	2,9	10	18,5	2x14	2x2,5	Blue			D2510	7001.8181.6
500	8x4,3	2,9	13	21,5	2x14	2x2,5	Blue			D2513	7001.8182.6
200	8,8x5,2	3,8	12	23,1	2x12	2x4,0	Grey			D4012	7001.8185.8
100	9,5x7,2	4,9	14	26,1	2x10	2x6,0	Yellow			D6014	7001.8188.4
100	9,5x7,2	6,5	14	26,6	2x7	2x10	Red			D1014	7001.8191.2
100	19x9,5	8,3	14	31,3	2x6	2x16	Blue			D1614	7001.8194.6

Codice colore	Y	Colore	Y	Colore	Y	Colore
7001.8xxx.Y	0	Black/Nero	3	Orange/Arancio	6	Blue/Blu
	1	Brown/Marrone	4	Yellow/Giallo	7	Violet/Viola
	2	Red/Rosso	5	Green/Verde	8	Grey/Grigio
	9	White - Ivory - Beige				

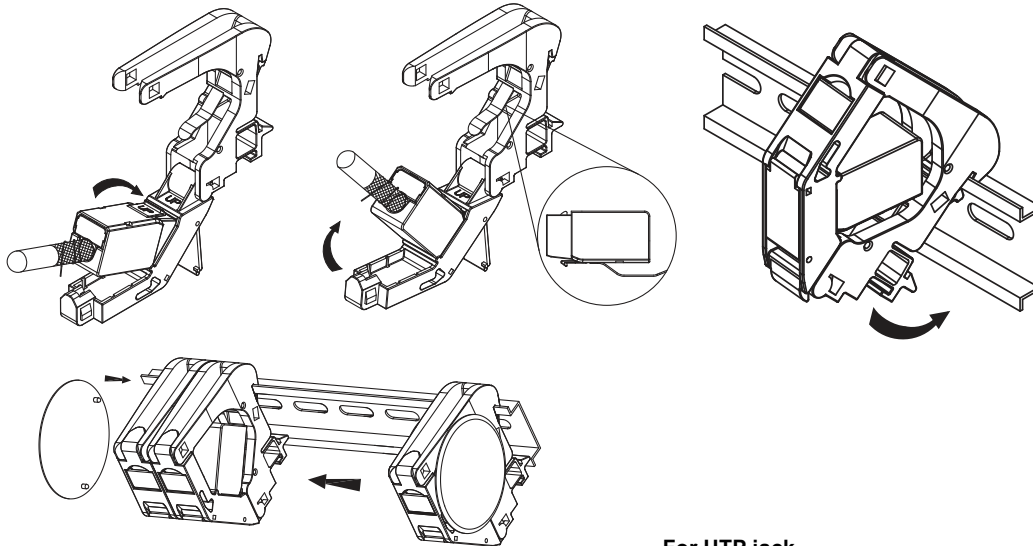
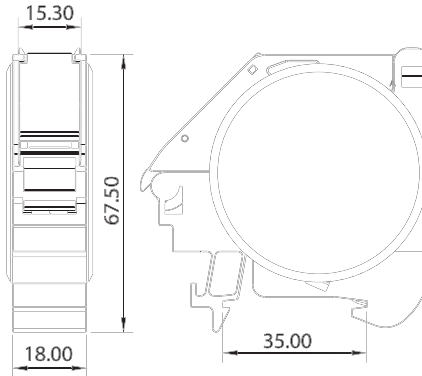
Description - Descrizione	For size Per grandezze	Part No. Codice
 <p>Remark: Replacement for bulkhead housings. For metal housings or in thermoplastic material Not suitable for EMC housings</p> <p>Note: Ricambi per custodie da pannello Per custodie metalliche od in materiale termoplastico Non adatte per custodie EMC.</p> <p>Material: NBR or EPDM or silicon Materiali: NBR o EPDM o silicone</p>	<p>3A «21x21» QD «32x13» 10A «49x16» 16A «66x16» 32A «66x40» 6B «44x27» 10B «57x27» 16B «77x27» 24B «104x27» 32B «77x62» 48B «104x62»</p>	<p>5871.1896.X 5121.168X.X 5121.019X.X 5121.021X.X 5121.033X.X 5871.1904.X 5871.1938.X 5871.1854.X 5871.1995.X 5871.1987.X 5871.1961.X</p>

Description - Descrizione		Part No. Codice
	Ⓢ PE screw for inserts: S-A 10A, 16A, S-D15, S-D25 M 3,5 Vite per contatto di terra per inserti: Packing - Imballo: 100 pcs.	6121.008X.X
	Ⓢ PE screw for inserts: S-E, S-EE, S-ES, S-EP, S-EHV, S-ESHV M 4 Vite per contatto di terra per inserti: Packing - Imballo: 100 pcs.	6341.0021.0
	Ⓢ PE screw for inserts: S-HSB, S-K M 4 Vite per contatto di terra per inserti: Packing - Imballo: 100 pcs.	6341.4411.0
	Inserts fixing screw M 3 Viti per fissaggio degli inserti Packing - Imballo: 100 pcs.	5821.3380.X
	Contact screw for S-A 3p/4p inserts M 3 Vite per inserti S-A 3p/4p Packing - Imballo: 100 pcs.	5821.3455.X
	Fixing screw for inserts size 3A, «21x21» M 3 Vite di fissaggio per inserti grandezza 3A, «21x21» Packing - Imballo: 100 pcs.	5821.3463.X
	Fixing screw with gasket for inserts size 3A, «21x21» to reach IP protection degree IP67, IP69. It shall replace the standard screw 5821.3463.X normally supplied together the insert. Packing 10 pcs. Vite di fissaggio con guarnizione per inserti grandezza 3A per ottenere il grado IP67, IP69. Questa vite sostituisce la vite standard normalmente fornita a corredo degli inserti. Imballo 10 pz.	6821.3464.X
	«32 x 13» insert fixing screw Vite di fissaggio per inserti «32 x 32» Packing - Imballo: 100 pcs.	5121.150X.X
	M6 x 24 screw for HP-HE hoods with flat washer and elastic washer. Packing 10 pcs. Vite M6x24 per custodie serie HP-HE, con ranella piana e ranella elastica. Imballo 10 pz.	6821.3465.X
	M4 x 16 screw for HP-HE / HP-EMC, 3A «21x21» size, hoods with washer and spring. Packing 10 pcs. Vite M6x24 per custodie serie HP-HE, e HP-EMC grandezza 3A «21x21» con ranella e molla. Imballo 10 pz.	6821.3467.X
	Screw set: with the most important screws used for inserts and hood/housing. Packing 10 pcs. Kit viti: con le più importanti viti utilizzate negli inserti e nelle custodie. Imballaggio 10 pz. Composed by - Composto da: 5821.3380.X 2 pcs. 5821.3463.0 2 pcs. 6341.0021.0 2 pcs. 6341.4411.0 2 pcs. 5121.150X.X 2 pcs. 6121.0008.0 2 pcs. 6121.008X.X 2 pcs.	7900.0002.0

Description - <i>Descrizione</i>	Materials <i>Materiali</i>	Part No. <i>Codice</i>
 Single lever 3A <i>Leva singola 3A</i>	Thermoplastic Grey - <i>Grigio</i> RAL 9002	5341.0502.X
 Single lever 3A <i>Leva singola 3A</i>	Thermoplastic Black - <i>Nero</i> RAL 9005	5341.0502.1
 Single lever 3A <i>Leva singola 3A</i>	Zinc-plated steel <i>Acciaio zincato</i>	5341.0692.X
 Single lever 3A <i>Leva singola 3A</i>	Stainless steel <i>Acciaio inox</i>	5341.0692.S
 Single lever QD «32 x 13» <i>Leva singola QD «32 x 13»</i>	Thermoplastic Black - <i>Nero</i> RAL 9005	5121.167X.X
 Single lever 10A <i>Leva singola 10A</i>	Stainless steel <i>Acciaio inox</i>	5121.102X.X
 Single lever 16A <i>Leva singola 16A</i>	Stainless steel <i>Acciaio inox</i>	5121.103X.X
 Single lever 32A <i>Leva singola 32A</i>	Stainless steel <i>Acciaio inox</i>	5121.1031.X
 Single lever 6B <i>Leva singola 6B</i>	Zinc-plated steel <i>Acciaio zincato</i>	6341.2241.A
 Single lever 6B <i>Leva singola 6B</i>	Stainless steel <i>Acciaio inox</i>	5121.2135.X
 Single lever 10B <i>Leva singola 10B</i>	Zinc-plated steel <i>Acciaio zincato</i>	6341.2092.A
 Single lever 10B <i>Leva singola 10B</i>	Stainless steel <i>Acciaio inox</i>	5121.2171.X
 Single lever 16B <i>Leva singola 16B</i>	Zinc-plated steel <i>Acciaio zincato</i>	6341.0120.A
 Single lever 16B <i>Leva singola 16B</i>	Stainless steel <i>Acciaio inox</i>	5131.0514.X
 Single lever 24B <i>Leva singola 24B</i>	Zinc-plated steel <i>Acciaio zincato</i>	6341.1938.A
 Single lever 24B <i>Leva singola 24B</i>	Stainless steel <i>Acciaio inox</i>	5131.0587.X
 Single lever 32B <i>Leva singola 32B</i>	Zinc-plated steel <i>Acciaio zincato</i>	5341.1070.X
 Single lever 48B <i>Leva singola 48B</i>	Zinc-plated steel <i>Acciaio zincato</i>	5341.1039.X
 Single lever 48B <i>Leva singola 48B</i>	Stainless steel <i>Acciaio inox</i>	5341.4124.X
 Double lever 10B, 16B, 24B <i>Leva doppia 10B, 16B, 24B</i>	Zinc-plated steel <i>Acciaio zincato</i>	6341.0138.X
 Double lever 10B, 16B, 24B <i>Leva doppia 10B, 16B, 24B</i>	Stainless steel <i>Acciaio inox</i>	6341.0139.X
 Double lever 32A <i>Leva doppia 32A</i>	Stainless steel <i>Acciaio inox</i>	5121.120X.X
 Double lever 32B <i>Leva doppia 32B</i>	Zinc-plated steel <i>Acciaio zincato</i>	6341.1425.X

Description - Descrizione

**Part No.
Codice**



For UTP jack

3300.0180.0

For STP jack

3300.0181.0

Side cup - coperchio laterale

3300.0182.0



Technical characteristics:

The support allows the use of any jack or adapter in conformance with the Keystone jack standard. It has to be installed with snap-in on the DIN rail with 35mm width.

The Keystone jack can be easily and quickly installed and removed.

The support can be installed in row and it's provided with cover and label for the identification of each jack. The model with contact spring is designed to connect the shield of the RJ45 Keystone jack (STP) to the DIN rail connected to the ground.

If necessary the side cover insulates the Keystone jack from others previously installed.

Thermoplastic material
 UL 94 V-0
 Grey color

Caratteristiche tecniche:





Il supporto accetta qualunque presa (jack) o adattatore conforme allo standard Keystone jack. Esso deve essere installato, attraverso il suo sistema a scatto, sulle guide DIN aventi larghezza 35mm I supporti possono essere installati in fila sulla guida DIN e sono provvisti di coperchietto e di targhetta per l'identificazione di ogni presa jack.

Il modello con la molla consente di connettere lo schermo della presa jack RJ45 alla guida DIN a sua volta collegata a terra.

Il coperchio installato a fianco di ciascun supporto consente di isolare le prese Keystone dalle altre installate ai lati.



*Materiale termoplastico
 UL 94 V-0
 Colore grigio*







<p>For contacts: 10A, DIA 1.6 mm, 16A DIA 2.5 mm, 40A DIA 4 mm Per contatti: 10A, DIA 1.6 mm, 16A DIA 2.5 mm, 40A DIA 4 mm</p>	<p>Part No. Codice</p>	
 <p>UL/CSA certified crimping tool for GWconnect contacts Pinza approvata UL/CSA per crimpare contatti GWconnect</p>	<p>Complete crimping tool with: <i>Pinza completa per crimpare composta da:</i> - Crimping tool - <i>Pinza a crimpare</i> - Die set - <i>Applicatore</i> - Locator - <i>Posizionatore</i></p> <p>Designed and manufactured pursuant to the state-of-the-art technical requirements and safety standards. The hand crimping tool has been developed for optimal crimping of turned pin and bush contacts for wire ranges 0,14 to 4,00 mm² (26-12 AWG) and pin dia 1,6 and 2,5 mm</p> <p><i>Pinza manuale ottimale per crimpare contatti torniti e a tubetto. Progettata e prodotta secondo le più performanti specifiche tecniche e di sicurezza. Ottimale per sezioni da 0,14 a 4 mm² (26-12 AWG) e contatti di dia 1,6 e 2,5 mm</i></p>	<p>8500.7925.0</p>
	<p>Crimping tool without Die set and locator: <i>Pinza per crimpare senza applicatore e posizionatore:</i></p>	<p>8500.7921.0</p>
	<p>Die set - Applicatore</p> <p>For wire section - <i>Per fili sezione</i></p> <ul style="list-style-type: none"> - For - <i>Per:</i> 0,14 ÷ 4,0 mm² - For - <i>Per:</i> 1,5 ÷ 6,0 mm² 	<p>8500.7926.0 8500.7927.0</p>
	<p>Locator - Posizionatore</p> <p>The locator facilitates the crimping operation holding the contact <i>Il posizionatore facilita l'operazione di crimpatura trattenendo il contatto</i></p> <ul style="list-style-type: none"> - For contacts dia 1,6 ÷ 2,5 mm <i>Per contatti dia.</i> - For contacts dia 4,0 mm <i>Per contatti dia.</i> 	<p>8500.7931.0 8500.7932.0</p>

Precision 8 indent crimping tool for contacts: 10A, 16A and 40A <i>Pinza di precisione per crimpare per contatti da 10A, 16A e 40A</i>		Part No. Codice
<p>Eight (4+4) indent crimping tool for crimping in accordance with MIL - C - 225 20/1 <i>Pinza per crimpare a otto (4+4) tacche per crimpature secondo la norma MIL - C - 225 20/1</i></p> 	<p>Special crimping hand tools for - turned male, DIA 1.6, 2.5 and 4 mm and female contacts for wire size 0,14 to 6,0 mm (26-10AWG) - 4 concentric crimps by synchronized driven jaws. - micro setting up to 0,01 mm tolerance - Enclosed gauge ensures accurate calibration - Locator for exact positioning of 12 different contact types</p> <p>- <i>Pinza manuale speciale per contatti maschi, DIA 1.6, 2.5 e 4 mm e femmina torniti per conduttori da 0,14 a 6,0 mm (26-10AWG)</i> - <i>4 crimpature concentriche pilotate simultaneamente tramite camme .</i> - <i>Regolazione micrometrica con tolleranza di 0,01 mm</i> - <i>Calibro incluso.</i> - <i>Supporto per l'esatto posizionamento di 12 tipi diversi di contatti.</i></p>	8500.7930.0
	<p>Economical crimping tool for turned contacts with ratchet: <i>Pinza a cricchetto per contatti a crimpare torniti:</i></p> <p>- For wire section 0,5 ÷ 6,0 mm² <i>Per fili sezione 0,5 ÷ 6,0 mm²</i></p> <p>- For contact Dia 1.6 (10A) <i>Per contatti Dia 2.5 (16A)</i> <i>Dia 4 (40A)</i></p>	8500.6251.0
Special crimping hand tool for tounred 5A D-SUB contacts <i>Speciali pinze per crimpare contatti torniti da 5A per D-SUB</i>		Part No. Codice
	<p>Precision special crimping tool for 5A turned contacts, with ratchet.</p> <p><i>Pinza a cricchetto di precisione speciale per contatti torniti da 5A a crimpare</i></p> <p>For wires section: 0.09 - 0.82 mm² (28-18AWG) <i>Per fili sezione:</i> 0.09 - 0.82 mm² (28-18AWG)</p>	8500.7915.0
	<p>Four indent economical crimping tool for 5A turned contacts, with ratchet.</p> <p><i>Pinza a cricchetto per crimpare a 4 tacche per contatti torniti da 5A</i></p> <p>For wires section: 0.14 - 0.50 mm² (26-20AWG) <i>Per fili sezione:</i> 0.14 - 0.50 mm² (26-20AWG)</p>	8500.7917.0

Description - Descrizione	Part No. Codice
 <p>Precision mechanism for high crimping force with low hand force. Hinged head makes it easy to crimp easily shaped contacts and facilitates die set changes</p> <p>Crimping capacity: up to 70 mm² with Cu or Al wires Length of tool: 250 mm Weight: 2300 gr.</p> <p><i>I meccanismi di precisione consentono una alta forza di crimpatura con un basso sforzo manuale. La testa incernierata rende facile l'operazione di crimpatura dei contatti con varie forme e facilita il cambio delle matrici.</i></p> <p>Gamma di crimpatura: fino a 70 mm² con fili in Cu o Al Lunghezza dell'attrezzo: 250 mm Peso: 2300 gr.</p>	
 <p>Hand tool for crimping cable lugs and contacts for wire up to 70 mm². The case contains even the Die set too for wires from 10 mm² to 70 mm² as listed here below.</p> <p><i>L'attrezzo manuale è progettato per terminali e contatti fino a 70 mm². La scatola contiene inoltre le matrici per conduttori da 10 mm² a 70 mm² come elencati qui di seguito.</i></p>	<p>8500.7960.0</p>
 <p>Exagonal Die for 10 mm² wire (K6)</p> <p><i>Matrici di crimpatura ad impronta esagonale per conduttori da 10 mm²</i></p>	<p>8500.7962.0</p>
<p>Exagonal Die for 16 mm² wire (K8)</p> <p><i>Matrici di crimpatura ad impronta esagonale per conduttori da 16 mm²</i></p>	<p>8500.7963.0</p>
<p>Exagonal Die for 25 mm² wire (K10)</p> <p><i>Matrici di crimpatura ad impronta esagonale per conduttori da 25 mm²</i></p>	<p>8500.7964.0</p>
 <p>Exagonal Die for 35 mm² wire (K12)</p> <p><i>Matrici di crimpatura ad impronta esagonale per conduttori da 35 mm²</i></p>	<p>8500.7965.0</p>
<p>Exagonal Die for 50 mm² wire (K14)</p> <p><i>Matrici di crimpatura ad impronta esagonale per conduttori da 50 mm²</i></p>	<p>8500.7966.0</p>
<p>Exagonal Die for 70 mm² wire (K16)</p> <p><i>Matrici di crimpatura ad impronta esagonale per conduttori da 70 mm²</i></p>	<p>8500.7967.0</p>

Description - Descrizione	Part No. Codice
 <p>Precision hydraulic/mechanical manual crimping tool for terminals and contacts for conductors up to 240 mm². High crimping force up to 8 Tons with low hand force.</p> <p><i>Attrezzo di crimpatura manuale idraulico/meccanico di precisione per terminali e contatti per conduttori fino a 240 mm². Alta forza di crimpatura fino a 8 Tons, con basso sforzo manuale.</i></p> <p>Crimping capacity: up to 240 mm² Metal handle Length of tool: 530 mm Weight: 5200 gr.</p> <p><i>Gamma di crimpatura: fino a 240 mm² Manici metallici Lunghezza dell'attrezzo: 530 mm Peso: 5200 gr.</i></p>	
 <p>The case contains also the Die set too for wires from 10 mm² to 185 mm² as listed below.</p> <p><i>La scatola contiene le matrici per conduttori da 10 mm² a 185 mm² come elencate qui di seguito.</i></p>	<p>8500.7990.0</p>
<p>Exagonal Die for 10 mm² wire</p> <p><i>Matrici di crimpatura ad impronta esagonale per conduttori da 10 mm²</i></p>	<p>8500.7991.0</p>
<p>Exagonal Die for 16 mm² wire</p> <p><i>Matrici di crimpatura ad impronta esagonale per conduttori da 16 mm²</i></p>	<p>8500.7992.0</p>
<p>Exagonal Die for 25 mm² wire</p> <p><i>Matrici di crimpatura ad impronta esagonale per conduttori da 25 mm²</i></p>	<p>8500.7993.0</p>
<p>Exagonal Die for 35 mm² wire</p> <p><i>Matrici di crimpatura ad impronta esagonale per conduttori da 35 mm²</i></p>	<p>8500.7994.0</p>
<p>Exagonal Die for 50 mm² wire</p> <p><i>Matrici di crimpatura ad impronta esagonale per conduttori da 50 mm²</i></p>	<p>8500.7995.0</p>
<p>Exagonal Die for 70 mm² wire</p> <p><i>Matrici di crimpatura ad impronta esagonale per conduttori da 70 mm²</i></p>	<p>8500.7996.0</p>
<p>Exagonal Die for 95 mm² wire</p> <p><i>Matrici di crimpatura ad impronta esagonale per conduttori da 95 mm²</i></p>	<p>8500.7997.0</p>
<p>Exagonal Die for 120 mm² wire</p> <p><i>Matrici di crimpatura ad impronta esagonale per conduttori da 120 mm²</i></p>	<p>8500.7998.0</p>
<p>Exagonal Die for 150 mm² wire</p> <p><i>Matrici di crimpatura ad impronta esagonale per conduttori da 150 mm²</i></p>	<p>8500.7999.0</p>
<p>Exagonal Die for 185 mm² wire</p> <p><i>Matrici di crimpatura ad impronta esagonale per conduttori da 185 mm²</i></p>	<p>8500.8000.0</p>
<p>Exagonal Die for 70 mm² wire</p> <p><i>Matrici di crimpatura ad impronta esagonale per conduttori da 70 mm²</i></p>	

Manual crimping tool and machine for stamped single contacts and on reels <i>Pinza a crimpare e macchine per contatti stampati singoli e su bobina</i>		Part No. Codice
<p>Manual crimping tool with removable die-set, for single contact <i>Pinza manuale con applicatore intercambiabile per contatto singolo</i></p> 	<p>Handle without Die -set <i>Pinza senza applicatore</i></p> <p>Die -sets - <i>Applicatori:</i></p> <p>For wire: 0,14-0,75 mm² <i>Per fili: 26-18 AWG</i></p> <p>For wire: 1-2,5 mm² <i>Per fili : 17-14 AWG</i></p>	<p>8500.7956.0</p> <p>8500.7957.0</p> <p>8500.7958.0</p>
<p>UL/CSA approved GWconnect contacts crimping tool <i>Pinza approvata UL/CSA per crimpare contatti GWconnect</i></p>		
<p>Manual crimping tool for contact on reel <i>Pinza manuale per contatti in bobina</i></p> 	<p>Features - <i>Caratteristiche.</i></p> <ul style="list-style-type: none"> - Tool with feeding and cutting device excellent for contacts on reel. - Crimping wire and insulation in one step - Simple contact positioning - Integrated ratched ensures completed crimping <p>- <i>Pinza con avanzamento e dispositivo di taglio per contatti in bobina.</i></p> <p>- <i>Crimpatura dei fili e dell'isolamento in una sola operazione.</i></p> <p>- <i>Semplice posizionamento del contatto.</i></p> <p>- <i>Con sistema a cricchetto per una completa crimpatura</i></p>	<p>For contacts <i>Per contatti</i></p> <p>0,14-0,5 mm² 26-20 AWG 8500.7972.0</p> <p>0,5-1 mm² 20-17 AWG 8500.7973.0</p> <p>1,5-2,5 mm² 16-14 AWG 8500.7974.0</p>
<p>UL/CSA approved GWconnect contacts crimping tool <i>Pinza approvata UL/CSA per crimpare contatti GWconnect</i></p>		

Description - Descrizione	Part No. Codice
	<p>Removal tool For crimp contacts DIA 1.6 mm (10A) For inserts S-D, S-DD, S-Q, S-QD, S-K, S-M series Metal handle. Special tools steel, nickel plated. For professional users. Utensile estrattore Per contatti a crimpare DIA 1.6 mm (10A). Per inserti serie S-D, S-DD, S-Q, S-QD, S-K, S-M. Manico metallico. Utensile in acciaio speciale nichelato. Per impieghi professionali</p>
	<p>Removal tool For crimp contacts DIA 2.5 mm (16A) For inserts S-AC, S-EC, S-EE, S-EEE, S-K, S-Q, S-QD, S-M series Metal handle. Special tools steel, nickel plated. For professional users. Utensile estrattore Per contatti a crimpare DIA 2.5 mm (16A). Per inserti serie S-AC, S-EC, S-EE, S-EEE, S-K, S-Q, S-QD, S-M. Manico metallico. Utensile in acciaio speciale nichelato. Per impieghi professionali</p>
	<p>Removal tool For crimp contacts DIA 4 mm (40A) For inserts S-K, S-Q, S-M series Metal handle. Special tools steel, nickel plated. For professional users. Utensile estrattore Per contatti a crimpare DIA 4 mm (40A). Per inserti serie S-K, S-Q, S-M. Manico metallico. Utensile in acciaio speciale nichelato. Per impieghi professionali</p>
	<p>Removal tool For crimp contacts DIA 8 mm (100A) For inserts S-K, S-M series Metal handle. Special tool stainless steel. For professional users. Utensile estrattore Per contatti a crimpare DIA 8 mm (100A). Per inserti serie S-K, S-M. Manico metallico. Utensile in acciaio inox. Per impieghi professionali</p>
	<p>Removal tool For D-SUB crimp contacts 5A, turned. For inserts S-M, S-CX series Metal handle. For professional use Utensile estrattore Per contatti a crimpare D-SUB da 5A torniti. Per inserti serie S-M, S-CX Manico metallico Per impieghi professionali</p>
	<p>Insertion tool For DIA 1.6 mm (10A) contacts. For wires 0.14 - 1.5 mm² (26 - 16 AWG) Metal handle - Special tool steel nickel plated Utensile inseritore Per contatti DIA 1.6mm (10A). Per fili 0.14 - 1.5 mm² (26 - 16 AWG) Manico metallico Utensile in acciaio speciale nichelato</p>



UL/CSA approved GWconnect contacts crimping machine
Pressa approvata UL/CSA per crimpare contatti GWconnect




MODEL GW12KN






Features - Caratteristiche




- For small-lot production
- Designed to match all series of crimping dies, locators and wire stops used with manual tool (please see previous pages).
- Operational height and working stroke same as with manual crimping tool
- Fine adjustment of crimping height by 0,01 mm by means of an adjusting nut at the press ram
- Forced locking system for reliable crimping(emergency release provided)
- Crimping dies and accessories easily exchangeable
- Size 150 x x256 mm
- Weight 24 Kg

- *Per piccole produzioni*
- *Progettata per utilizzare le serie di applicatori, posizionatori e fermi utilizzati con le pinze manuali (vedi pagine precedenti)*
- *Stessa altezza e corsa di lavoro degli utensili manuali.*
- *Regolazione fine dell'altezza di crimpatura di 0,01 mm attraverso un anello cursore nel punzone.*
- *Sistema di bloccaggio per crimpature affidabili (con rilascio di emergenza)*
- *Cambio rapido e semplice degli applicatori e degli accessori.*
- *Dimensioni 150 x 256*
- *Peso 24 Kg*

Description <i>Descrizione</i>	Part No. <i>Codice</i>
Toggle press without crimping die set <i>Pressa senza applicatore</i>	8500.7970.0
Toggle press with crimping die set and locator for turned contacts for wire section 0,14 to 4,0 mm ² <i>Pressa con applicatore e posizionatore per contatti torniti per sezioni del filo da 0,14 a 4 mm²</i>	8500.7971.0

Bush terminal crimping tool <i>Pinza per crimpare terminali a tubetto</i>		Part No. Codice
	<ul style="list-style-type: none"> - For bush terminals - Automatic self adjustment - Square crimp profile resulting from synchronously driven crimp jaws - To be used for ranges of 0,08 to 6,0 mm² - <i>Per terminali a tubetto</i> - <i>Regolazione automatica</i> - <i>Profilo quadro realizzato con 4 morse con movimento sincronizzato</i> - <i>Per cavi con sezione da 0,08 a 6,0 mm²</i> 	8500.7909.0
Bush terminal crimping tool <i>Pinza per crimpare terminali a tubetto</i>		Part No. Codice
 <p>- Special for Molex S-E, S-EHV series inserts screw type, for conductors 4mm²/AWG12 with bush terminals - <i>Particolarmente adatta per inserti serie S-E e S-EHV con terminali a vite per conduttori 4mm²/AWG12 con terminale a tubetto</i></p>	<ul style="list-style-type: none"> - For bush terminals - Automatic self adjustment - Hexagonal crimp profile with six serrated crimp surfaces made by 6 synchronously driven crimp jaws - Cross-section range from 0,08 to 6,0 mm² - Ergonomic design - <i>Per terminali a tubetto</i> - <i>Regolazione automatica</i> - <i>Profilo esagonale realizzato con 6 morse con movimento sincronizzato</i> - <i>Per cavi con sezione da 0,08 a 6,0 mm²</i> - <i>Ergonomica</i> 	8500.7911.0
Cable stripper <i>Pinza spelafili</i>		Part No. Codice
	<p>Cable stripper For for cable 0.75 ÷ 16 mm² Blade holder: aluminium Body: thermoplastic material Dimensions: 180 x 132 mm</p> <p>Pinza spelafili Per cavi da 0.70 ÷ 16 mm² Supporto per lama: alluminio Corpo: materiale termoplastico Dimensioni: 180 x 132 mm</p>	8500.0822.0

Description - Descrizione	Part No. Codice	
	<p>Removal tool for inserts assembled on DIN rail (top support) See page 55.04</p> <p><i>Utensile estrattore per inserti assemblati sul supporto (superiore) per guide DIN.</i> Vedere pagina 55.04</p>	<p>8500.7912.0</p>
	<p>Screw driver 0.4 x 2.5 <i>Giravite 0.4 x 2.5</i></p> <p>Screw driver 0.5 x 3 <i>Giravite 0.5 x 3</i></p> <p>Screw driver 0.5 x 3.5 <i>Giravite 0.5 x 3.5</i></p>	<p>8500.7979.0</p> <p>8500.7998.0</p> <p>8500.7981.0</p>
	<p>Male hex key SW2 For 40A axial screw contacts</p> <p><i>Chiave esagonale maschio</i> Per contatti da 40A assiali a vite</p>	<p>8500.3698.0</p>
	<p>Cable cutter For for cable DIA 9.5 mm max (wire section ≤ 35 mm²). Not for steel wires</p> <p><i>Pinza taglia cavi</i> Per diametro massimo 9,5 mm (sezione ≤ 35 mm²) Non adatta per fili di acciaio</p>	<p>8500.0820.0</p>
	<p>Cable cutter For for cable up to 70 mm², copper or aluminium. Length 250 mm</p> <p><i>Pinza taglia cavi</i> Sezioni fino a 70 mm² di rame o alluminio. Lunghezza pinza 250 mm</p>	<p>8500.0821.0</p>

Description - <i>Descrizione</i>	Part No. Codice
 <p>For cable DIA 7.0 mm max <i>Per cavo DIA 7.0 mm max</i></p>	<p>8500.0801.0</p> <p>Professional crimping tool for crimping RJ45 shielded plugs, short body with strain relief 2100.3341.0, 2100.3342.0 and all RJ45 male plugs for industrial Ethernet Cabling, S-IEC series, present in this catalogue, with power contacts included (see section 09).</p> <p><i>Pinza professionale a crimpare per la crimpatura delle spine RJ45 schermate, corpo compatto con fermacavo 2100.3341.0 e 2100.3342.0. Inoltre è in grado di effettuare una perfetta crimpatura di tutte le spine RJ45 per collegamenti Ethernet industriali, serie S-IEC, presenti nella sezione 09 di questo catalogo, con i contatti di potenza inclusi .</i></p>
 <p>For cable DIA 6.0 mm max <i>Per cavo DIA 6.0 mm max</i></p>	<p>8500.0804.0</p> <p>Professional crimping tool for crimping RJ45 shielded plugs, short body with strain relief 2100.3341.0, 2100.3342.0 and the RJ45 male plugs for industrial Ethernet Cabling, S-IEC series, present in this catalogue, without power contacts (see section 09).</p> <p><i>Pinza professionale a crimpare per la crimpatura delle spine RJ45 schermate, corpo compatto con fermacavo 2100.3341.0 e 2100.3342.0. Inoltre è in grado di effettuare una perfetta crimpatura di tutte le spine RJ45 per collegamenti Ethernet industriali, serie S-IEC, presenti nella sezione 09 di questo catalogo, senza i contatti di potenza.</i></p>
	<p>8500.0807.0</p> <p>Professional crimping tool for crimping Standard RJ45 plugs UTP and STP shielded.</p> <p><i>Pinza professionale a crimpare per la crimpatura delle spine RJ45 Standard UTP.</i></p>

Description - <i>Descrizione</i>	Part No. Codice
 <p>Rotary cable stripper with 2 blades. It allows to strip the jacket of round cable like coaxial and LAN cable of different diameter (Max 7.2 mm) The blades are adjustable according to the depth of cut. (Hex wrench included)</p> <p><i>Utensile sguainatore rotativo con 2 lame. Permette di sguainare cavi rotondi di diametri diversi (Max 7,2 mm) tipo coassiali o LAN Le lame sono regolabili con la chiave esagonale inclusa</i></p>	<p>8500.0811.0</p>
 <p>Universal crimping tool. It allows to strip the jacket and the wires of LAN cable UTP/STP, computer cable, power cables, flat telephone cable 2p/4p/6p/8p. Cutter included. Blad depth easily adjustable.</p> <p><i>Utensile universale per sguainare cavi LAN UTP/STP, cavi per computers, cavi di potenza, cavi piatti telefonici 2p/4p/6p/8p. Cutter per il taglio incluso. Profondità della lama facilmente regolabile</i></p> <p>Replacement blades <i>Lame di ricambio</i></p>	<p>8500.0813.0</p> <p>8500.0815.0</p>
 <p>Impact punch down tool for LSA terminal module.</p> <p><i>Attrezzo di terminazione ad impatto per moduli di terminazione LSA.</i></p>	<p>8500.0827.0</p>
 <p>Impact punch down tool for 110 terminals.</p> <p><i>Attrezzo ad impatto per terminazioni 110</i></p>	<p>8500.0840.0</p>



Features - Caratteristiche

Elegant suitcase containing a variety of inserts, enclosures and cable glands.

Dimension: 480x320x115 mm

Weight: 4 Kg.

Elegante valigetta contenente una varietà di inserti, custodie e pressacavi.

Dimensioni: 480x320x115 mm

Peso: 4 Kg.



Description <i>Descrizione</i>	Part No. <i>Codice</i>
Display case <i>Valigetta per campionario</i>	8001.5000.0

Tailored customer service

Servizio clienti personalizzato

Besides the wide range of Heavy Duty Connectors and Enclosures, Molex also offer the following special services to its customers:

- Special products and special solutions

Molex R&D with its experienced designers with competence in connectivity and in materials for connectors, housings, enclosures, such as copper and aluminium alloys, stainless steel, plastics, etc, studies and offer new connectivity solutions, other enclosures for special applications, and suggestions to adopt the standard products to the customer requirements for the best efficiency and reliability.



- Molex Heavy Duty Connectors special configurations

Molex customizes the hoods/housings of its Heavy Duty Connectors providing different position and different sizes of cable entries, complete of cable glands or other fittings; configures all individual connectors components to meet customers specific needs and provide a complete Kit, giving the advantage of handling one only p.no to minimize the customer purchasing and logistic costs. Molex also supplies its connectors assembled to cables complete of enclosures, cable glands, fittings and flexible tubes.



Oltre alla vasta gamma di prodotti, connettori per impieghi industriali e cassette, Molex è in grado di offrire ai propri clienti uno speciale servizio personalizzato:

- Prodotti e soluzioni speciali

Il reparto Ricerca e Sviluppo di Molex, con i propri esperti progettisti con ampie competenze nella connessione e nei materiali utilizzati per connettori e cassette, quali leghe di rame e di alluminio, acciaio inox e materiali plastici, può studiare ed offrire nuove soluzioni sia nel campo della connessione che nelle cassette di derivazione per applicazioni speciali o fornire suggerimenti all'utilizzatore per la scelta e l'impiego dei prodotti standard per la migliore efficienza ed affidabilità.



- Connettori Molex per impieghi industriali: speciali configurazioni

Molex può realizzare le custodie dei connettori industriali con particolari posizioni e grandezze degli ingressi dei cavi, provviste di pressacavi o di altri raccordi. I connettori possono essere configurati e preassemblati su richiesta del cliente e/o forniti in Kit con il vantaggio di utilizzare un solo codice, ottimizzando il lavoro degli Uffici Acquisti e della Logistica del cliente. Possiamo anche fornire connettori con cavi assemblati completi di custodie, pressacavi e raccordi con tubi flessibili.



Tailored customer service

Servizio clienti personalizzato

- **GWconnect Aluminium enclosures**

Molex delivers custom-made aluminium enclosures for a wide variety of industrial applications. Molex in fact provides its enclosures with holes, threaded holes, with plastic or metal cable glands, fittings or blanking plugs. Also with inner cabling with terminal blocks, transformers, switches, push buttons, fuses and connectors. With the assistance of other Companies of the Group, Molex moreover supplies its enclosures complete of PCB assemblies with passive and active components fully tested in accordance with customer specification. Molex in fact offers OEM products, developing and manufacturing specific solutions on customer demand.



- **Cassette in alluminio GWconnect**

Molex può fornire cassette in alluminio personalizzate per una grande varietà di applicazioni industriali. Possiamo infatti fornire le nostre cassette con fori passanti, fori filettati, con i nostri pressacavi plastici o metallici, o altri raccordi e tappi. Possiamo inoltre fornire le nostre cassette cablate, con morsettiere, trasformatori, interruttori, pulsanti, fusibili e connettori. Per completare la gamma delle possibili applicazioni, possiamo altresì fornire cassette complete di Circuiti Stampati prodotti da altre aziende del nostro gruppo, completi di componenti passivi ed attivi completamente testati secondo le specifiche del cliente. Molex infatti è in grado di offrire prodotti OEM e sviluppare e produrre specifiche soluzioni.



Acronym - Acronimo	Meaning - Significato	Notes - Note
ADSL	Asymmetric digital subscriber line	Telecom
AFNOR	Association Française de Normalisation	
AIDA	Automation Initiative of Germal Domestic Automobile Manufacturers	Industrial Automation
ANIE	Associazione Nazionale Industrie Elettrotecniche ed Elettroniche (Italia)	
ANSI	American National Standard Institute	
AON	Active optical network	Fiber optic
APC	Angled Physical Contact (fiber optic connector)	Fiber optic
ASCII	American Standard Code for Information Interchange	Informatica
ASTM	American Society for Testing and Materials	
ATEX	Explosive Atmospheres	
ATM	Asynchronous transfer mode	Telecom
AUG	Automative Users Group	
AWG	American Wire Gauge (Brown and Sharp wire gauge- USA)	Cables
BAN	Wireless Body Area Network	Telecom
baud	symbol per second	Informatica
BD	Building distributor	
BEC	British Electrotechnical Committee	
BER	Bit error rate	
BICSI	Building Industry Consulting Service International	Telecom
bit/s	bit per second	Informatica
BMC	Bulk moulding compound	Chemical
bps	bit per second	Informatica
BRI	Basic Rate Interface	Telecom
BSI	British Standards Institution	
Byte	1 Byte = 8 bit	Informatica
Byte	Tipicamente 8 bit	Informatica
C°	Gradi Celsius	Physics
CAD	Computed Aided Design	
CAM	Computer Aided Manufacturing	
CANopen	Control Area Network open (CANbus)	Industrial Automation
CAP	Camerless Amplitude Phase modulation	Telecom
CAPIEL	Co-ordinating Committee for the Associations of Manufacturers of Industrial Electrical Switchgear and Controlgear in the European Union	
CBEMA	Computer and Business Equipment Manufacturers Association (USA)	
CCA	CENELEC Certification Agreement	
CCC	China Compulsory Certification	International Approvals
CCITT	International Telegraph and Telephone Consultative Committee - Comitè consultating international telephonique et telegraphique (changed 1992) to ITU-T	
CCTV	Closed Circuit Television	
CD	Campus distributor	
CECAPI	European Committee of Electrical Installation Equipment Manufacturers	
CECC	Cenelec Electronic Components Committee	
CECED	European Committee of Manufacturers of Domestic Equipment	
CECIMO	European Committee for Co-operation of the Machine Tool Industries	
CEFIC	European Chemical Council	
CEI	Comitato Elettrotecnico Italiano	
CELMA	Association of National Manufacturers Associations for Luminaires and Electrotechnical Components for Luminaires in the European Union	
CEN	European Committee for Standardization	
CENELEC	Comité Europeen De Normalisation Electrotechnique	
CER	Community of Railways & Infrastructure Companies	
CES	Swiss Electrotechnical Committee	

Acronym - Acronimo	Meaning - Significato	Notes - Note
CISPR	Comité International Special des Perturbations Radioelectriques	
CPE	Customer premises equipment	
CSA	Canadian Standard Association	International Approvals
CTE	Cable Termination Equipment	
dB	Decibel	Electronics
DCN	Data Coomunication Network	
DEMKO	Danish Electrical Material Control	
DESINA	Distributed and Standardized Installation Technology	Industrial Automation
DEVICENET	Network system developed by Allen-Bradley (now Rockwell Automation)	
DFE	Decision Feedback Equalizer	Electronics
DISLAM	Digital subscriber line access multiplexer	
DKE	Deutsche Kommission Elektrotechnik Elektronik Informationstechnik im DIN und VDE	
DMT	Discrete Multi Tone	Telecom
DNS	Domain Name Server	
DS	Danish Standard	
DSL	Digital subscriber line	
DUT	Device under test	
EA	European Cooperation for Accreditation	
EAC	European Accreditation of Certification	
EC	European Commission	
ECA	Electronic Component Association	(USA)
ECCA	European Cable Communications Association	
ECI	European Copper Institute	
ECIA	Electrical Component Industry Association	(USA)
ECITC	European Committee for IT&T Testing and Certification	
ECMA	European Computer Manufacturers Association	
ECQAC	Electronic Components Quality Assurance Committee	
ECTEL	European Telecommunications and Professional Electronics Industry	
EECA	European Electronic Component Manufacturers Association	
EEPCA	European Electrical Products Certification Association	
EIA	Electronic Industries Alliance/Association	
ELTCTL	Equal level transverse conversation transfer loss	
EMC	Electromagnetic compatibility	
EMI	Electromagnetic interference	
EN	European Standard	
ENEC	European Norms Electrical Certification	
EPC	Engineering Procurement Contract	
EPDM		chemical
ETS	European Telecommunications Standard	
ETSI	European Telecommunications Standard Institute	
EU	European Union	
EUROMAP	European Committee of machinery Manufacturers for plastic and rubber industry	
F/FTP	Foiled and foiled Twisted Pair (New name of FTP)	Cable
F/UTP	Foil Twisted Pair	Cable
FAST ETHERNET	Protocollo Fast Ethernet (IEEE 802,34) operante a 100 Mbit/s	
FC	Fiber Channel Connection	fiber optic
FD	Floor distributor	
FDDI	Fiber Distributed Data Interface	
FDH	Fiber Distribution Hub	
FEE	Feed Forward Equalizer	Electronics

Acronym - Acronimo	Meaning - Significato	Notes - Note
FEXT	Far End Cross Talk	
FIA	Fiber Optic Industry Association	
FIREWIRE	Standard Serial Interface According to IEEE 13 94 standard	Apple Computer
FO	Fiber Optic	
FOCIS	Fiber Optic connector Intermateability Standard	
FCC	Federal Communications Commission (USA)	
FOLS	Fiber Optics Lan Section	F.O.
FOTP	Fibre optic test procedure	F.O.
FTP	Foiled twisted pair	Cable
FTTB	Fiber to the building or Fiber to the basement	F.O.
FTTC	Fiber to the cabinet or Fiber to the curts	F.O.
FTTE	Fiber to the exchange	F.O.
FTTH	Fiber to the home	F.O.
FTTN	Fiber to the node or Fiber to the exchange	F.O.
FOTP	Fiber to the premises	F.O.
g	Accelerazione gravitazionale (anche in inglese)	Physics
GBE	Giga Bit Ethernet	
GIGA ETHERNET	Evoluzione a 1000 Mbit/s (IEEE 802,3Z) del protocollo Fast Ethernet	
gm	Grammi	Physics
HAR	Agreement on the use of a commonly agreed marking for cables and cords complying with harmonized specifications	
HDSL	High bit-rate Digital Subscriber Line	
HTML	Hyper Text Markup Language	Informatica
HYTREL	Thermoplastic Polyester Elastomer	Cables
Hz	Hertz	Physics
ICT	Information and communication technology	
IDC	Insulation Displacement Connection	
IEC	International Electrotechnical Commission	
IEEE	Institute of Electrical and Electronics Engineers	
IMQ	Istituto Italiano del Marchio di Qualità	
inch	" = pollice = 2,54mm	Telecom
INTERBUS	Serial bus system according to EN50254 and IEC61158	Industrial Automation
IP	Internet Protocol address	
ISDN	Integrated Service Digital Network	Telecom
ISO	International Organization For Standardization	
IT	Information Technology	
IT&T	Information Technology and Telecommunications	
ITS	Information Technology system	
ITU	International Telecommunication Union	
ITU-R	International Telecommunication Union - Radio sector	
ITU-T	International Telecommunication Union - Telecommunication standardization bureau (ex CCITT) - 1992 - comite consulting international telephonique et telegraphique	
kbit/s	1024 bit per second	Informatica
kbps	1024 bit per second	Informatica
KEMA	Testing Research and Development and Engineering Consultant to the Electric Power Industry	
Kg	Kilogrammi	Physics
KHz	Kilohertz	Physics
Km	Kilometri	Physics
KN	Kilo Newton	Physics
KPa	Kilo Pascal	Physics
LAN	Local Area Network	Telecom

Acronym - Acronimo	Meaning - Significato	Notes - Note
LC	Little Connector	fiber optic
LED	Light emitting diode	Electronics
LSOH	Low smoke zero Alogen (alogen free)	Cable
LSZH	Low smoke zero Alogen (alogen free)	Cable
LVD	Low Voltage Directive	
m	Metri	Physics
MAN	Metropolitan Area Network	
MAU	Media attachment unit	
Mbps	Megabits per second	
MDF	Main distributing frame	
MHz	Mega Hertz	Physics
MICE	Mechanical, Ingress rating, climatic, Electromagnetic	Industrial Automation
mm	millimetri	Physics
MM	Multi-mode Multi-modale	Fiber optic
MOC	Modulo Ottico Compatto	Fiber optic
MPO	Multiple Fiber Push-on/Pull-off	Fiber optic
MSAN	Multi Service Access Note	Telecom
MT	Mechanical Transfer	Fiber optic connector
MTP® CONEC USA	Trade mark for multiple-fiber Push-on/Pull-off (MPO)	Fiber optic
MT-RJ	Mechanical Transfer Registered Jack	Fiber optic
MUTOA	Multi-user telecommunications outlet assembly	
N	Newton	Physics
NBR	Nitrile Butiadene Rubber	Chemical
NE	Network Element	
NEC	Nederlands Elektrotechnisch Comité	
NEDA	National Electronic Distributors Association	(USA)
NEMKO	Norwegian Board for Testing and Approval of Electrical Equipment	
NEXT	Near End Cross Talk	Cables
NGA	Next Generation Access	Telecom
NGAN	New Generation Area Network	Telecom
NGN	New Generation Network	Telecom
NIST	National Institute for Standards and Technologies	
nm	nanometri	Physics
NOC	Network Operation Centre	
NSO	National Standards Organisation	
NTS	Network transport system designer	Telecom-cable installing
OA	Optical Amplifier	
ODF	Optical Distribution Frame	
ODN	Optical Distribution Network	
OFA	Optical Fiber Amplifier	
OFC	Oxigen Free Copper	Cable
OLT	Optical Line Termination	
ONE	Optical Network Element	
ONT	Optical Network Terminal or Termination	
ONU	Optical Network Unit	
OPGW	Optical Fiber Ground Wires	
OS	Operating System	
OSI	Open Systems Interconnection	
OSNR	Optical Signal-to-Noise Ratio	
OTF	Optical Termination Frame	
OTL	Optical Trunk Line	

Acronym - Acronimo	Meaning - Significato	Notes - Note
OTN	Optical Transport Network	
ÖVE	Österreichischer Verband für Elektrotechnik	
PA	Polyamide	Chemical
PAN	Personal Area Network	
PBT	Polyester	Chemical
PBX	private branch exchange	
PC	Physical Contact	fiber optic connector
PC	Polycarbonate	Chemical
PCM	Pulse Code Modulation	Telecom
PON	Passive optical network	Fiber optic Network
POTS	Plain Old Telephone Service Originally: Post Office Telephone System	Telecom
PP	Polypropilene	
PROFIBUS	Process Field Bus	Industrial Automation
PROFINET	Industrial Ethernet in accordance with IEC 61158/61784	Industrial Automation
PTP	Point to point	Network
PVC	Polyvinyl chloride	Chemical - cable
RAEE	Rfiuti da Apparecchiature Elettriche ed Elettroniche	
RCDD	Registered communication distribution designer	Telecom-cable installing
REACH	Registration, Evaluation and Authorization of Chemicals	
READSL	Remote ADSL	Telecom
RF	Radio frequency	Electronics
RFI	Radio frequency interference	Electronics
RITP	Registered information technology professional	Telecom-cable installing
ROE	Ripartitore Ottico di Edificio	Telecom
ROHS	Restriction of Hazardous Substances	
RU	Rack Unit = Unità rack, 1,75 inch	
S/FTP	Shielded Foiled twisted pair	Cable
S/STP	Shielded and Foiled on Twisted Pair/Screened shielded twisted pair (new name)	Cable
SC	Square or Standard Connector	Fiber optic
SCTP	Stream Control Trasmission Protocol	Telecom/Information Technology
SDSN	Single pair Subscriber Line	Telecom
SEMKO	Swedish Board for Testing and Approval of Electrical Equipment	
SEV	Slovak Electrotechnical Committee	
SF/UTP	Shielded and Foiled Twisted Pair(new name)	Cable
SFF	Small form factor	Connector
SHDL	Symmetric High bit-rate Digital/ Subscriber Line	Telecom
SIS	Swedish Standards Institute	
SL	Stati di Linea	Telecom
SM	Single mode-mono-modale	Fiber optic
SMC	Sheet Molding Compound	
SNR	Signal to noise ratio	Telecom / Electronics
SOHO	Small Office / Home Office	Telecom
ST	Straight Tip	Fiber optic connector
STP	Shielded twisted pair (old name replaced by U/FTP)	
STS	Servizi Telefonici Supplementari	Telecom
SUPRANET	Indica la fusione del mondo fisico con quello digitale/virtuale	inglese e italiano
TCM	Time Compression Multiplexing	Telecom
TDM	Time Division Multiplexing	Telecom
TDMA	Time Division Multiple Access	
TIA	Telecommunications Industry Association	

Important notes:

The products of this catalogue cannot guarantee the best functionality on installation, as it depends on their correct "installation into service" which must be performed in compliance with the applicable system safety standards and fully workmanlike.

The products shown in this catalogue are deemed to form connections mainly for electrical circuits; therefore they have to be assembled according to the user's best choice for specific applications.

For such choices, as well as for uses of single components and/or uses with purpose other than those herein declared, Molex declines any responsibility for the application results and/or for product incorrect use and/or unsuccessful performance.

The connectors must not be connected or disconnected when under load.

After having wired the inserts we recommend to check the protective earth terminals continuity.

The connector inserts operation is guaranteed only if fixed by four screws on a rigid plane (provided by hoods/housings).

Molex is not responsible for any different application.

Be careful when using of pneumatic or electric screwdrivers.

The installer must verify and ensure the correct coupling and operation of the protective earth connection.

For all inserts with screw-type terminals it is important that the connect torque is applied to the screw in order to prevent damages to the conductor, the screw or the terminal.

Crimping tools and contacts should be supplied by the same manufacturer.

The termination of spring-clamp and push-in connector inserts is guaranteed only when specified screwdriver is correctly used for actuating the spring (see indication in the specific catalogue).

To prevent incorrect coupling please respect the polarity drawing when two similar inserts are mounted in double-sized hoods or housings. To avoid coupling mismatch we recommend the use of coding pins when two or more similar connectors are mounted next to one another.

The complete connectors (enclosures and inserts) guarantee the IP degree of protection when coupled and locked with their closing system. In order to ensure the same degree of protection provided by the connector housings, the cable glands or other accessories used to close cable outlets must meet at least an equivalent IP degree of protection.

In order to prevent stress on the contacts, the connectors must be coupled and uncoupled in axial direction, without bending and pulling the attached conductor bundles or cables.

Molex connectors, inserts and enclosures are generally compatible with similar/equivalent products from other manufacturers.

The full interchangeability cannot be granted by Molex as we cannot be considered responsible for technical changes made by other manufacturers.

Particularly, Molex do not guarantee the full performances of our IP68 enclosures (HP-HE series) when coupled with other manufacturers' products.

Molex takes no responsibility in verifying whether the components herein contained comply with the specific regulations of other fields of application.

Avvertenze:

I prodotti presenti in questo catalogo non possono da soli garantire la migliore funzionalità impiantistica, la quale dipende dalla loro corretta "messa in esercizio", che deve avvenire secondo le norme impiantistiche ed a regola d'arte.

I prodotti illustrati in questo catalogo sono destinati a formare delle connessioni principalmente per circuiti elettrici, e per tanto devono essere assiemati secondo la migliore scelta eseguita dagli utenti per le diverse applicazioni. Per queste scelte o per l'utilizzo di componenti singoli e/o per usi diversi da quelli descritti in questo catalogo, Molex declina ogni responsabilità per il risultato applicativo e/o per il loro non corretto utilizzo.

*I connettori **non devono** essere azionati sotto tensione o sotto carico.*

Si raccomanda, dopo il cablaggio degli inserti, la verifica della continuità dei collegamenti di terra.

Gli inserti sono garantiti se montati con quattro viti di fissaggio su piani rigidi (normalmente custodie). Molex non è responsabile per gli usi differenti. Prestare attenzione con l'uso di cacciaviti pneumatici o elettrici. L'installatore deve verificare il perfetto accoppiamento ed il funzionamento del collegamento di terra.

Per tutti i cablaggi con connessione a vite è importante una corretta coppia di torsione onde evitare dei falsi contatti o danni sul conduttore, sulla vite o sul morsetto.

E' consigliabile che gli utensili di crimpatura ed i contatti utilizzati siano forniti dallo stesso produttore.

Il cablaggio degli inserti con connessione a molla e push-in è garantito solo con l'impiego del corretto cacciavite indicato nel catalogo specifico.

Per evitare l'accoppiamento invertito rispettare il disegno della polarità, quando gli inserti siano utilizzati in custodie che permettono due alloggiamenti.

Si raccomanda l'uso di perni di codifica quando due o più connettori identici sono montati affiancati.

Le custodie, complete di inserti, garantiscono il grado di protezione IP quando sono accoppiate e bloccate tramite il sistema di chiusura. Per il mantenimento del grado di protezione IP delle custodie occorre impiegare pressacavi o altri accessori con un grado di protezione almeno equivalente.

Per evitare sollecitazioni sui contatti i connettori devono essere accoppiati e disaccoppiati in direzione assiale rispetto ai contatti stessi., senza applicare flessioni e senza agire sui fasci di conduttori o sui cavi impiegati.

I nostri connettori e le relative custodie sono generalmente compatibili con prodotti equivalenti realizzati da altri costruttori, per quanto a nostra conoscenza. Naturalmente non possiamo garantire la piena compatibilità nel caso di modifiche tecniche apportate da altri costruttori.

In particolare non possiamo garantire le massime prestazioni delle custodie IP68 (serie HP-HE) se accoppiate con produzioni di altri costruttori.

Molex non ha la responsabilità di verificare che i componenti illustrati in questo catalogo siano adeguati a eventuali specifiche normative per altri settori applicativi.

1. General

The general sales conditions listed below are intended valid and accepted even if without any approval from the buyer.

Modifications or additions made by buyer are not valid unless we provide confirmation written.

Molex reserves the right to modify products and catalogue contents without any prior notice.

For updated data please refer to the online catalogue.

2. Quotations

All our quotations must be considered as indicative, anyway Molex commits itself to deliver products compliant with the contract.

The contract acceptance will be formalized once the buyer sends regular order for which we will issue a written confirmation.

3. Prices

Prices shown on our price lists may be modified at any time without prior notice. Prices are intended for ex works terms, except other written agreements.

4. Packaging

The packaging is generally included unless different agreements.

5. Deliveries

Molex commits itself to respect agreed delivered terms. In any case no compensations will be paid against any possible direct or indirect damages, due to delays on deliveries, full or partial supply interruptions.

6. Terms of surrender and transport

Without of specific agreements we reserve the right to deliver with the most suitable to us mean of transport.

7. Warranties

The warranty time period is of 12 months from the delivery date and expires even if the products are not yet installed. Molex guarantees the good quality and construction of its products, during the warranty time Molex obliges itself to the reparation or substitution (free of charge c/o its plant) of those products that result defective for manufacturing defects or bad quality, proven that it does not depend on inexperience, damaging or unproper use from the buyer. Any defect should be notified, into writing, within 8 days from the goods receipt.

In any case Molex rejects any responsibility arising from defects and any kind of request for compensation from third parties due to special damages, incidental or indirect or whichever consequential damages or profit loss or missed gain.

8. Payments

Payment terms are agreed from the parties and must be intended essential, obligatory and peremptory. At expiry date on unpaid amount an interest will be calculated on prime rate increased by 3 points. Moreover Molex reserves the right to suspend any further delivery without any prior notice considering the open order not yet delivered or partially delivered as cancelled.

9. Variations

Any possible dispensation to the above stated supply conditions agreed between the parties will remain strictly limited to what agreed and will not involve any modification to the above conditions that will remain unchanged and confirmed without explicit reference.

10. Authorized Forum

The only authorized Forum in case of any dispute is in Milan.

1. Generale

Le condizioni generali di vendita sotto elencate si intendono valide ed accettate anche senza esplicita approvazione dell'acquirente.

Variazioni o aggiunte fatte dall'acquirente non sono valide salvo esplicita nostra conferma scritta.

Molex si riserva il diritto di apportare modifiche ai prodotti e al contenuto del catalogo senza preavviso.

Per quanto riguarda i dati aggiornati fare riferimento al catalogo online.

2. Offerte

Tutte le nostre offerte sono da considerarsi indicative, Molex si impegna comunque a consegnare prodotti conformi al contratto.

L'accettazione del contratto avverrà dopo che l'acquirente avrà inviato il regolare ordine che verrà da noi confermato per iscritto.

3. Prezzi

I prezzi esposti sui nostri listini possono essere variati senza alcun preavviso e in qualunque momento. I prezzi si intendono per merce resa franco nostro magazzino, salvo altri accordi scritti.

4. Imballi

Gli imballi sono generalmente inclusi salvo accordi particolari.

5. Consegne

Molex si impegna al rispetto dei termini di consegna pattuiti ma in ogni caso non verranno corrisposti indennizzi di alcuna sorta per eventuali danni diretti o indiretti, derivanti da ritardi di consegna, interruzione totale o parziale della fornitura.

6. Rese e trasporti

In mancanza di accordi specifici viene usato, per la spedizione, a nostra discrezione, il mezzo ritenuto più opportuno.

7. Garanzie

Il periodo di garanzia è di 12 mesi dalla data di consegna e cessa allo scadere del termine anche se i prodotti non sono stati messi in opera. Molex garantisce la buona qualità e la buona costruzione dei prodotti obbligandosi, durante il periodo di garanzia, a riparare o sostituire gratuitamente presso la propria sede quei prodotti che risultano difettosi per difetti di lavorazione o cattiva qualità, sempre che ciò non dipenda da imperizia, negligenza, manomissioni o errato utilizzo da parte dell'acquirente. Eventuali difetti ci dovranno essere notificati, per iscritto, entro 8 gg dal ricevimento delle merci. In ogni caso Molex esclude l'assunzione di ogni responsabilità riconducibile a difetti e ogni pretesa di risarcimento da parte di terzi per danni speciali, incidentali o indiretti o qualsiasi danno consequenziale o perdita di profitti o mancato guadagno.

8. Pagamenti

I termini di pagamento convenuti tra le parti devono intendersi essenziali, tassativi e perentori. Sui pagamenti non effettuati alla scadenza verranno applicati gli interessi di mora in misura del prime rate e maggiorato di tre punti. Inoltre Molex avrà la facoltà di sospendere ogni altra consegna senza necessità di preavvisi ritenendo annullato l'ordine in corso non ancora consegnato o parzialmente consegnato.

9. Varianti

Qualsiasi eventuale deroga alle sopra prescritte condizioni di fornitura stabilite tra le parti resterà limitata strettamente a quanto convenuto e non implicherà nessuna variazione alle condizioni soprascritte che resteranno immutate e confermate ove manchi un esplicito riferimento.

10. Foro Competente

L'unico foro competente in caso di contestazione è quello di Milano.

Part No. Codice	Page Pagina	Part No. Codice	Page Pagina	Part No. Codice	Page Pagina	Part No. Codice	Page Pagina
2000.3001.0	11.04	2100.3405.A	09.27	2240.3245.1	09.13	2482.3248.1	09.15
2000.3002.0	11.04	2100.3405.B	09.27	2240.3245.1	09.15	2482.3248.2	09.15
2000.3003.0	11.04	2100.3406.0	09.27	2240.3245.2	09.13	2482.3248.3	09.15
2000.3004.0	11.04	2100.3406.1	09.27	2240.3245.2	09.15	2482.3248.5	09.15
2000.3005.0	11.04	2100.3406.2	09.27	2240.3245.3	09.13	2482.3248.A	09.15
2000.3006.0	11.04	2100.3406.3	09.27	2240.3245.3	09.15	2482.3248.B	09.15
2000.3007.0	11.04	2100.3406.5	09.27	2240.3245.5	09.13	2500.0001.0	11.05
2000.3008.0	11.04	2100.3406.8	09.27	2240.3245.5	09.15	2500.0002.0	11.05
2000.3013.0	11.04	2100.3406.A	09.27	2240.3245.A	09.13	2500.0003.0	11.05
2000.3020.0	11.06	2100.3406.B	09.27	2240.3245.A	09.15	2500.0004.0	11.05
2000.3021.0	11.06	2100.3407.0	09.27	2240.3245.B	09.13	2500.0005.0	11.05
2000.3022.0	11.06	2100.3407.1	09.27	2240.3245.B	09.15	2500.0006.0	11.05
2000.3023.0	11.06	2100.3407.2	09.27	2242.3246.0	09.13	2500.0010.0	09.24
2000.3024.0	11.06	2100.3407.3	09.27	2242.3246.0	09.15	2500.0013.0	09.24
2000.3025.0	11.06	2100.3407.5	09.27	2242.3246.1	09.13	2500.0015.0	09.24
2000.3027.0	11.06	2100.3407.8	09.27	2242.3246.1	09.15	2500.0016.0	09.24
2000.3029.0	11.06	2100.3407.A	09.27	2242.3246.2	09.13	2500.0017.0	09.24
2000.3031.0	11.06	2100.3407.B	09.27	2242.3246.2	09.15	2500.0019.1	09.24
2000.3033.0	11.06	2100.3408.0	09.27	2242.3246.3	09.13	2500.0020.0	11.05
2000.3035.0	11.06	2100.3408.1	09.27	2242.3246.3	09.15	2500.0024.0	09.24
2000.3036.0	11.06	2100.3408.2	09.27	2242.3246.5	09.13	2540.3244.0	09.16
2000.3100.0	11.10	2100.3408.3	09.27	2242.3246.5	09.15	2540.3244.1	09.16
2000.3105.0	11.10	2100.3408.5	09.27	2242.3246.A	09.13	2540.3244.2	09.16
2000.3110.0	11.10	2100.3408.8	09.27	2242.3246.A	09.15	2540.3244.3	09.16
2000.3115.0	11.10	2100.3408.A	09.27	2242.3246.B	09.13	2540.3244.5	09.16
2000.3120.0	11.10	2100.3408.B	09.27	2242.3246.B	09.15	2540.3244.A	09.16
2000.3140.0	11.10	2100.3409.0	09.27	2280.3247.0	09.13	2540.3244.B	09.16
2000.3145.0	11.10	2100.3409.1	09.27	2280.3247.1	09.13	2540.3245.0	09.16
2000.3170.0	11.10	2100.3409.2	09.27	2280.3247.2	09.13	2540.3245.1	09.16
2000.3170.A	11.10	2100.3409.3	09.27	2280.3247.3	09.13	2540.3245.2	09.16
2000.3175.0	11.10	2100.3409.5	09.27	2280.3247.5	09.13	2540.3245.3	09.16
2000.3180.0	11.10	2100.3409.8	09.27	2280.3247.A	09.13	2540.3245.5	09.16
2000.3180.A	11.10	2100.3409.A	09.27	2280.3247.B	09.13	2540.3245.A	09.16
2100.3150.0	11.10	2100.3409.B	09.27	2282.3248.0	09.13	2540.3245.B	09.16
2100.3150.2	11.10	2100.3410.0	09.27	2282.3248.1	09.13	2542.3246.0	09.16
2100.3150.3	11.10	2100.3410.1	09.27	2282.3248.2	09.13	2542.3246.1	09.16
2100.3150.5	11.10	2100.3410.2	09.27	2282.3248.3	09.13	2542.3246.2	09.16
2100.3367.1	09.03	2100.3410.3	09.27	2282.3248.5	09.13	2542.3246.3	09.16
2100.3368.0	09.04	2100.3410.5	09.27	2282.3248.A	09.13	2542.3246.5	09.16
2100.3369.0	09.04	2100.3410.8	09.27	2282.3248.B	09.13	2542.3246.A	09.16
2100.3383.0	09.04	2100.3410.A	09.27	2340.3244.0	09.14	2542.3246.B	09.16
2100.3401.0	09.27	2100.3410.B	09.27	2340.3244.1	09.14	2580.3247.0	09.16
2100.3401.0	11.10	2100.3502.1	09.25	2340.3244.2	09.14	2580.3247.1	09.16
2100.3401.1	09.27	2100.3502.2	09.25	2340.3244.3	09.14	2580.3247.2	09.16
2100.3401.2	09.27	2100.3502.3	09.25	2340.3244.5	09.14	2580.3247.3	09.16
2100.3401.2	11.10	2100.3502.5	09.25	2340.3244.A	09.14	2580.3247.5	09.16
2100.3401.3	09.27	2100.3506.1	09.26	2340.3244.B	09.14	2580.3247.A	09.16
2100.3401.3	11.10	2100.3507.1	09.26	2340.3245.0	09.14	2580.3247.B	09.16
2100.3401.5	09.27	2100.3525.0	09.25	2340.3245.1	09.14	2582.3248.0	09.16
2100.3401.5	11.10	2100.3531.1	09.26	2340.3245.2	09.14	2582.3248.1	09.16
2100.3401.8	09.27	2100.3533.1	09.26	2340.3245.3	09.14	2582.3248.2	09.16
2100.3401.A	09.27	2100.3536.1	09.26	2340.3245.5	09.14	2582.3248.3	09.16
2100.3401.B	09.27	2140.3211.0	09.12	2340.3245.A	09.14	2582.3248.5	09.16
2100.3402.0	09.27	2140.3213.0	09.12	2340.3245.B	09.14	2582.3248.A	09.16
2100.3402.1	09.27	2140.3215.0	09.12	2342.3246.0	09.14	2582.3248.B	09.16
2100.3402.2	09.27	2140.3217.0	09.12	2342.3246.1	09.14	2640.3244.0	09.17
2100.3402.3	09.27	2140.3218.0	09.12	2342.3246.2	09.14	2640.3244.1	09.17
2100.3402.5	09.27	2140.3219.0	09.12	2342.3246.3	09.14	2640.3244.2	09.17
2100.3402.8	09.27	2140.3363.0	09.03	2342.3246.5	09.14	2640.3244.3	09.17
2100.3402.A	09.27	2140.3364.0	09.03	2342.3246.A	09.14	2640.3244.5	09.17
2100.3402.B	09.27	2140.3381.0	09.04	2342.3246.B	09.14	2640.3244.A	09.17
2100.3403.0	09.27	2142.3363.0	09.03	2380.3247.0	09.14	2640.3244.B	09.17
2100.3403.1	09.27	2142.3381.0	09.04	2380.3247.1	09.14	2640.3245.0	09.17
2100.3403.2	09.27	2180.3363.0	09.03	2380.3247.2	09.14	2640.3245.1	09.17
2100.3403.3	09.27	2180.3381.0	09.04	2380.3247.3	09.14	2640.3245.2	09.17
2100.3403.5	09.27	2182.3363.0	09.03	2380.3247.5	09.14	2640.3245.3	09.17
2100.3403.8	09.27	2182.3381.0	09.04	2380.3247.A	09.14	2640.3245.5	09.17
2100.3403.A	09.27	2240.3244.0	09.13	2380.3247.B	09.14	2640.3245.A	09.17
2100.3403.B	09.27	2240.3244.0	09.15	2382.3248.0	09.14	2640.3245.B	09.17
2100.3404.0	09.27	2240.3244.1	09.13	2382.3248.1	09.14	2642.3246.0	09.17
2100.3404.1	09.27	2240.3244.1	09.15	2382.3248.2	09.14	2642.3246.1	09.17
2100.3404.2	09.27	2240.3244.2	09.13	2382.3248.3	09.14	2642.3246.2	09.17
2100.3404.3	09.27	2240.3244.2	09.15	2382.3248.5	09.14	2642.3246.3	09.17
2100.3404.5	09.27	2240.3244.3	09.15	2382.3248.A	09.14	2642.3246.5	09.17
2100.3404.8	09.27	2240.3244.3	09.15	2382.3248.B	09.14	2642.3246.A	09.17
2100.3404.A	09.27	2240.3244.5	09.13	2480.3247.0	09.15	2642.3246.B	09.17
2100.3404.B	09.27	2240.3244.5	09.15	2480.3247.1	09.15	2680.3247.0	09.17
2100.3405.0	09.27	2240.3244.A	09.13	2480.3247.2	09.15	2680.3247.1	09.17
2100.3405.1	09.27	2240.3244.A	09.15	2480.3247.3	09.15	2680.3247.2	09.17
2100.3405.2	09.27	2240.3244.B	09.13	2480.3247.5	09.15	2680.3247.3	09.17
2100.3405.3	09.27	2240.3244.B	09.15	2480.3247.A	09.15	2680.3247.5	09.17
2100.3405.5	09.27	2240.3245.0	09.13	2480.3247.B	09.15	2680.3247.A	09.17
2100.3405.8	09.27	2240.3245.0	09.15	2482.3248.0	09.15	2680.3247.B	09.17

Part No. Codice	Page Pagina	Part No. Codice	Page Pagina	Part No. Codice	Page Pagina	Part No. Codice	Page Pagina
2682.3248.0	09.17	2940.3244.B	09.20	7000.6789.0	50.13	7000.6897.3	50.06
2682.3248.1	09.17	2940.3245.0	09.20	7000.6790.0	50.13	7000.6898.3	50.06
2682.3248.2	09.17	2940.3245.1	09.20	7000.6791.0	50.13	7000.6899.3	50.06
2682.3248.3	09.17	2940.3245.2	09.20	7000.6792.0	50.13	7000.6900.3	50.06
2682.3248.5	09.17	2940.3245.3	09.20	7000.6793.0	50.13	7000.6901.3	50.06
2682.3248.A	09.17	2940.3245.5	09.20	7000.6794.0	50.13	7000.6902.1	18.01
2682.3248.B	09.17	2940.3245.A	09.20	7000.6796.0	50.13	7000.6902.1	18.02
2740.3244.0	09.18	2940.3245.B	09.20	7000.6797.0	50.13	7000.6903.1	18.01
2740.3244.1	09.18	2942.3246.0	09.20	7000.6798.0	50.13	7000.6903.1	18.02
2740.3244.2	09.18	2942.3246.1	09.20	7000.6799.0	50.13	7000.6908.0	55.13
2740.3244.3	09.18	2942.3246.2	09.20	7000.6825.0	50.05	7000.6910.0	55.13
2740.3244.5	09.18	2942.3246.3	09.20	7000.6825.3	50.06	7000.6911.0	55.13
2740.3244.A	09.18	2942.3246.5	09.20	7000.6826.0	50.05	7000.6915.0	55.18
2740.3244.B	09.18	2942.3246.A	09.20	7000.6826.3	50.06	7000.6916.0	55.18
2740.3245.0	09.18	2942.3246.B	09.20	7000.6827.0	50.05	7000.6917.0	55.18
2740.3245.1	09.18	2980.3247.0	09.20	7000.6827.3	50.06	7000.6918.0	55.18
2740.3245.2	09.18	2980.3247.1	09.20	7000.6828.0	50.05	7000.6928.0	50.15
2740.3245.3	09.18	2980.3247.2	09.20	7000.6828.3	50.06	7000.6929.0	50.15
2740.3245.5	09.18	2980.3247.3	09.20	7000.6829.0	50.05	7000.6930.0	50.15
2740.3245.A	09.18	2980.3247.5	09.20	7000.6829.3	50.06	7000.6931.0	50.15
2740.3245.B	09.18	2980.3247.A	09.20	7000.6830.0	50.05	7000.6932.0	50.15
2742.3246.0	09.18	2980.3247.B	09.20	7000.6830.3	50.06	7000.6933.0	50.15
2742.3246.1	09.18	2982.3248.0	09.20	7000.6831.0	50.05	7000.6934.0	50.15
2742.3246.2	09.18	2982.3248.1	09.20	7000.6831.3	50.06	7000.6935.0	50.15
2742.3246.3	09.18	2982.3248.2	09.20	7000.6832.0	50.05	7000.6936.0	50.15
2742.3246.5	09.18	2982.3248.3	09.20	7000.6832.3	50.06	7000.6937.0	50.15
2742.3246.A	09.18	2982.3248.5	09.20	7000.6833.0	50.05	7000.6942.0	50.15
2742.3246.B	09.18	2982.3248.A	09.20	7000.6833.3	50.06	7000.6943.0	50.15
2780.3247.0	09.18	2982.3248.B	09.20	7000.6834.0	50.05	7000.6944.0	50.15
2780.3247.1	09.18	3300.0180.0	55.24	7000.6834.3	50.06	7000.6945.0	50.15
2780.3247.2	09.18	3300.0181.0	55.24	7000.6835.0	50.05	7000.6946.0	50.15
2780.3247.3	09.18	3300.0182.0	55.24	7000.6835.3	50.06	7000.6947.0	50.15
2780.3247.5	09.18	5121.019X.X	55.21	7000.6836.3	50.06	7000.6948.0	50.15
2780.3247.A	09.18	5121.021X.X	55.21	7000.6837.0	50.02	7000.6949.0	50.15
2780.3247.B	09.18	5121.033X.X	55.21	7000.6837.1	50.02	7000.6950.0	50.18
2782.3248.0	09.18	5121.102X.X	55.23	7000.6839.0	50.02	7000.6951.0	50.18
2782.3248.1	09.18	5121.1031.X	55.23	7000.6839.1	50.02	7000.6952.0	50.18
2782.3248.2	09.18	5121.103X.X	55.23	7000.6841.0	50.01	7000.6953.0	50.18
2782.3248.3	09.18	5121.120X.X	55.23	7000.6842.0	50.01	7000.6954.0	50.18
2782.3248.5	09.18	5121.150X.X	55.22	7000.6843.0	50.01	7000.6955.0	50.18
2782.3248.A	09.18	5121.152X.4	18.07	7000.6844.0	50.01	7000.6956.0	50.18
2782.3248.B	09.18	5121.167X.X	55.23	7000.6845.0	50.01	7000.6957.0	50.18
2840.3244.0	09.19	5121.168X.X	55.21	7000.6846.0	50.01	7000.6958.0	50.18
2840.3244.1	09.19	5121.2135.X	55.23	7000.6847.0	50.01	7000.6959.0	50.18
2840.3244.2	09.19	5121.2171.X	55.23	7000.6848.0	50.01	7000.6960.0	50.18
2840.3244.3	09.19	5131.0514.X	55.23	7000.6849.0	50.01	7000.6961.0	50.18
2840.3244.5	09.19	5131.0587.X	55.23	7000.6850.0	50.01	7000.6962.0	50.18
2840.3244.A	09.19	5341.0502.1	55.23	7000.6851.0	50.01	7000.6963.0	50.18
2840.3244.B	09.19	5341.0502.X	55.23	7000.6852.0	50.01	7000.6964.0	50.18
2840.3245.0	09.19	5341.0692.5	55.23	7000.6853.0	55.11	7000.6965.0	50.18
2840.3245.1	09.19	5341.0692.X	55.23	7000.6854.0	55.11	7000.6966.0	50.18
2840.3245.2	09.19	5341.1039.X	55.23	7000.6855.0	55.11	7000.6967.0	50.18
2840.3245.3	09.19	5341.1070.X	55.23	7000.6856.0	55.11	7000.6971.0	50.14
2840.3245.5	09.19	5341.3340.0	55.09	7000.6857.0	55.11	7000.6972.0	50.14
2840.3245.A	09.19	5341.3860.0	55.09	7000.6858.0	55.11	7000.6975.0	50.16
2840.3245.B	09.19	5341.4124.X	55.23	7000.6860.0	55.12	7000.6976.0	50.16
2842.3246.0	09.19	5821.3372.0	55.09	7000.6861.0	55.12	7000.6977.0	50.16
2842.3246.1	09.19	5821.3380.X	55.22	7000.6862.0	55.12	7000.6978.0	50.16
2842.3246.2	09.19	5821.3380.X	55.22	7000.6863.0	55.12	7000.6979.0	50.16
2842.3246.3	09.19	5821.3455.X	55.22	7000.6865.0	50.14	7000.6980.0	50.16
2842.3246.5	09.19	5821.3463.X	55.22	7000.6866.0	50.14	7000.6981.0	50.16
2842.3246.A	09.19	5871.1854.X	55.21	7000.6867.0	50.14	7000.6982.0	50.16
2842.3246.B	09.19	5871.1896.X	55.21	7000.6868.0	50.14	7000.6983.0	50.16
2880.3247.0	09.19	5871.1904.X	55.21	7000.6869.0	50.14	7000.6984.0	50.16
2880.3247.1	09.19	5871.1938.X	55.21	7000.6870.0	50.14	7000.6985.0	50.16
2880.3247.2	09.19	5871.1961.X	55.21	7000.6871.0	50.14	7000.6986.0	50.16
2880.3247.3	09.19	5871.1987.X	55.21	7000.6872.0	50.14	7000.7000.0	55.04
2880.3247.5	09.19	5871.1995.X	55.21	7000.6873.0	50.14	7000.7050.0	55.05
2880.3247.A	09.19	6121.008X.X	55.22	7000.6874.0	55.06	7000.7051.0	55.05
2880.3247.B	09.19	6341.0021.0	55.22	7000.6874.3	55.06	7000.7052.0	55.05
2882.3248.0	09.19	6341.0120.A	55.23	7000.6875.0	55.07	7000.7053.0	55.05
2882.3248.1	09.19	6341.0138.X	55.23	7000.6875.3	55.07	7000.7054.0	55.05
2882.3248.2	09.19	6341.0139.X	55.23	7000.6876.0	55.07	7000.7055.0	55.05
2882.3248.3	09.19	6341.1425.X	55.23	7000.6876.3	55.07	7000.7056.0	55.05
2882.3248.5	09.19	6341.1938.A	55.23	7000.6881.0	55.10	7000.7060.0	11.09
2882.3248.A	09.19	6341.2092.A	55.23	7000.6882.0	55.10	7000.7061.0	11.09
2882.3248.B	09.19	6341.2241.A	55.23	7000.6883.0	07.09	7000.7062.0	11.09
2940.3244.0	09.20	6341.4411.0	55.22	7000.6886.0	55.09	7000.7063.0	11.09
2940.3244.1	09.20	6821.3463.X	55.22	7000.6887.0	07.07	7000.7065.0	11.09
2940.3244.2	09.20	6821.3464.X	55.22	7000.6888.0	07.07	7000.7066.0	11.09
2940.3244.3	09.20	6821.3465.X	55.22	7000.6896.0	50.05	7000.7067.0	11.09
2940.3244.5	09.20	6821.3467.X	55.22	7000.6896.3	50.06	7000.7122.0	50.11
2940.3244.A	09.20	7000.6788.0	50.13	7000.6897.0	50.05	7000.7122.1	50.11

Part No. Codice	Page Pagina	Part No. Codice	Page Pagina	Part No. Codice	Page Pagina	Part No. Codice	Page Pagina
7000.7122.2	50.11	7000.7333.0	50.07	7000.7714.0	50.03	7000.7827.2	50.09
7000.7123.0	50.11	7000.7334.0	50.07	7000.7715.0	50.03	7000.7827.5	50.10
7000.7123.1	50.11	7000.7335.0	50.07	7000.7716.0	50.03	7000.7827.6	50.10
7000.7123.2	50.11	7000.7336.0	50.07	7000.7717.0	50.03	7000.7827.7	50.10
7000.7124.0	50.11	7000.7337.0	50.07	7000.7721.0	50.04	7000.7828.0	50.09
7000.7124.1	50.11	7000.7338.0	50.07	7000.7722.0	50.04	7000.7828.1	50.09
7000.7124.2	50.11	7000.7340.0	50.07	7000.7723.0	50.04	7000.7828.2	50.09
7000.7125.0	50.11	7000.7341.0	50.07	7000.7724.0	50.04	7000.7828.5	50.10
7000.7125.1	50.11	7000.7342.0	50.07	7000.7725.0	50.04	7000.7828.6	50.10
7000.7125.2	50.11	7000.7343.0	50.07	7000.7726.0	50.04	7000.7828.7	50.10
7000.7127.0	50.11	7000.7344.0	50.07	7000.7727.0	50.04	7000.7829.0	50.09
7000.7127.1	50.11	7000.7345.0	50.07	7000.7728.0	50.04	7000.7829.1	50.09
7000.7127.2	50.11	7000.7346.0	50.07	7000.7729.0	50.04	7000.7829.2	50.09
7000.7128.0	50.11	7000.7347.0	50.07	7000.7730.0	50.04	7000.7829.5	50.10
7000.7128.1	50.11	7000.7348.0	50.07	7000.7731.0	50.04	7000.7829.6	50.10
7000.7128.2	50.11	7000.7360.0	50.22	7000.7732.0	50.04	7000.7829.7	50.10
7000.7129.0	50.11	7000.7361.0	50.22	7000.7733.0	50.04	7000.7830.0	50.09
7000.7129.1	50.11	7000.7370.0	50.22	7000.7734.0	50.04	7000.7830.1	50.09
7000.7129.2	50.11	7000.7371.0	50.22	7000.7735.0	50.04	7000.7830.2	50.09
7000.7130.0	50.11	7000.7380.0	50.22	7000.7736.0	50.04	7000.7830.5	50.10
7000.7130.1	50.11	7000.7381.0	50.22	7000.7737.0	50.04	7000.7830.6	50.10
7000.7130.2	50.11	7000.7384.0	50.08	7000.7771.0	50.14	7000.7830.7	50.10
7000.7131.0	50.11	7000.7385.0	50.08	7000.7772.0	50.14	7000.7831.0	50.09
7000.7131.1	50.11	7000.7386.0	50.08	7000.7775.0	50.14	7000.7831.1	50.09
7000.7131.2	50.11	7000.7387.0	50.08	7000.7780.0	50.16	7000.7831.2	50.09
7000.7132.0	50.11	7000.7388.0	50.08	7000.7781.0	50.16	7000.7831.5	50.10
7000.7132.1	50.11	7000.7389.0	50.08	7000.7783.0	50.16	7000.7831.6	50.10
7000.7132.2	50.11	7000.7390.0	50.08	7000.7784.0	50.16	7000.7831.7	50.10
7000.7310.0	50.12	7000.7391.0	50.08	7000.7785.0	50.16	7000.7832.0	50.09
7000.7310.1	50.12	7000.7393.0	50.08	7000.7786.0	50.16	7000.7832.1	50.09
7000.7310.2	50.12	7000.7394.0	50.08	7000.7791.0	50.17	7000.7832.2	50.09
7000.7311.0	50.12	7000.7395.0	50.08	7000.7792.0	50.17	7000.7832.5	50.10
7000.7311.1	50.12	7000.7396.0	50.08	7000.7793.0	50.17	7000.7832.6	50.10
7000.7311.2	50.12	7000.7397.0	50.08	7000.7794.0	50.17	7000.7832.7	50.10
7000.7312.0	50.12	7000.7398.0	50.08	7000.7795.0	50.17	7000.7833.0	50.09
7000.7312.1	50.12	7000.7399.0	50.08	7000.7796.0	50.17	7000.7833.1	50.09
7000.7312.2	50.12	7000.7400.0	50.08	7000.7797.0	50.17	7000.7833.2	50.09
7000.7313.0	50.12	7000.7401.0	50.08	7000.7798.0	50.17	7000.7833.5	50.10
7000.7313.1	50.12	7000.7402.0	50.08	7000.7799.0	50.17	7000.7833.6	50.10
7000.7313.2	50.12	7000.7405.0	50.19	7000.7800.0	50.17	7000.7833.7	50.10
7000.7314.0	50.12	7000.7406.0	50.19	7000.7801.0	50.17	7000.7834.0	50.09
7000.7314.1	50.12	7000.7407.0	50.19	7000.7806.0	50.21	7000.7834.1	50.09
7000.7314.2	50.12	7000.7408.0	50.19	7000.7807.0	50.21	7000.7834.2	50.09
7000.7315.0	50.12	7000.7409.0	50.19	7000.7808.0	50.21	7000.7834.5	50.10
7000.7315.1	50.12	7000.7410.0	50.19	7000.7809.0	50.21	7000.7834.6	50.10
7000.7315.2	50.12	7000.7411.0	50.19	7000.7821.0	50.09	7000.7834.7	50.10
7000.7316.0	50.12	7000.7412.0	50.19	7000.7821.1	50.09	7000.7835.0	50.09
7000.7316.1	50.12	7000.7414.0	50.19	7000.7821.2	50.09	7000.7835.1	50.09
7000.7316.2	50.12	7000.7415.0	50.19	7000.7821.5	50.10	7000.7835.2	50.09
7000.7317.0	50.12	7000.7416.0	50.19	7000.7821.6	50.10	7000.7835.5	50.10
7000.7317.1	50.12	7000.7417.0	50.19	7000.7821.7	50.10	7000.7835.6	50.10
7000.7317.2	50.12	7000.7418.0	50.19	7000.7822.0	50.09	7000.7835.7	50.10
7000.7320.0	50.12	7000.7419.0	50.19	7000.7822.1	50.09	7000.7836.0	50.09
7000.7320.1	50.12	7000.7420.0	50.19	7000.7822.2	50.09	7000.7836.1	50.09
7000.7320.2	50.12	7000.7421.0	50.19	7000.7822.5	50.10	7000.7836.2	50.09
7000.7321.0	50.12	7000.7422.0	50.19	7000.7822.6	50.10	7000.7836.5	50.10
7000.7321.1	50.12	7000.7423.0	50.19	7000.7822.7	50.10	7000.7836.6	50.10
7000.7321.2	50.12	7000.7600.0	50.21	7000.7823.0	50.09	7000.7836.7	50.10
7000.7322.0	50.12	7000.7601.0	50.21	7000.7823.1	50.09	7000.7837.0	50.09
7000.7322.1	50.12	7000.7602.0	50.21	7000.7823.2	50.09	7000.7837.1	50.09
7000.7322.2	50.12	7000.7603.0	50.21	7000.7823.5	50.10	7000.7837.2	50.09
7000.7323.0	50.12	7000.7604.0	50.21	7000.7823.6	50.10	7000.7837.5	50.10
7000.7323.1	50.12	7000.7605.0	50.21	7000.7823.7	50.10	7000.7837.6	50.10
7000.7323.2	50.12	7000.7608.0	50.21	7000.7824.0	50.09	7000.7837.7	50.10
7000.7324.0	50.12	7000.7609.0	50.21	7000.7824.1	50.09	7000.7838.0	50.09
7000.7324.1	50.12	7000.7610.0	50.21	7000.7824.2	50.09	7000.7838.1	50.09
7000.7324.2	50.12	7000.7611.0	50.21	7000.7824.5	50.10	7000.7838.2	50.09
7000.7325.0	50.12	7000.7612.0	50.21	7000.7824.6	50.10	7000.7838.5	50.10
7000.7325.1	50.12	7000.7613.0	50.21	7000.7824.7	50.10	7000.7838.6	50.10
7000.7325.2	50.12	7000.7614.0	50.21	7000.7825.0	50.09	7000.7838.7	50.10
7000.7326.0	50.12	7000.7701.0	50.03	7000.7825.1	50.09	7000.7841.0	50.20
7000.7326.1	50.12	7000.7702.0	50.03	7000.7825.2	50.09	7000.7841.1	50.20
7000.7326.2	50.12	7000.7703.0	50.03	7000.7825.5	50.10	7000.7841.2	50.20
7000.7327.0	50.12	7000.7704.0	50.03	7000.7825.6	50.10	7000.7842.0	50.20
7000.7327.1	50.12	7000.7705.0	50.03	7000.7825.7	50.10	7000.7842.1	50.20
7000.7327.2	50.12	7000.7706.0	50.03	7000.7826.0	50.09	7000.7842.2	50.20
7000.7328.0	50.12	7000.7707.0	50.03	7000.7826.1	50.09	7000.7843.0	50.20
7000.7328.1	50.12	7000.7708.0	50.03	7000.7826.2	50.09	7000.7843.1	50.20
7000.7328.2	50.12	7000.7709.0	50.03	7000.7826.5	50.10	7000.7843.2	50.20
7000.7329.0	50.12	7000.7710.0	50.03	7000.7826.6	50.10	7000.7844.0	50.20
7000.7329.1	50.12	7000.7711.0	50.03	7000.7826.7	50.10	7000.7844.1	50.20
7000.7329.2	50.12	7000.7712.0	50.03	7000.7827.0	50.09	7000.7844.2	50.20
7000.7332.0	50.07	7000.7713.0	50.03	7000.7827.1	50.09	7000.7845.0	50.20

Part No. Codice	Page Pagina	Part No. Codice	Page Pagina	Part No. Codice	Page Pagina	Part No. Codice	Page Pagina
7000.7845.1	50.20	7001.8041.2	55.19	7100.4038.0	07.20	7124.4302.1	08.04
7000.7845.2	50.20	7001.8042.0	55.19	7100.4038.1	07.20	7125.4012.0	01.19
7000.7846.0	50.20	7001.8042.2	55.19	7100.4038.2	07.20	7125.4012.3	01.19
7000.7846.1	50.20	7001.8043.0	55.19	7100.4039.0	07.20	7125.4112.0	01.19
7000.7846.2	50.20	7001.8044.0	55.19	7100.4039.1	07.20	7125.4112.3	01.19
7000.7847.0	50.20	7001.8044.2	55.19	7100.4039.2	07.20	7140.4018.0	01.20
7000.7847.1	50.20	7001.8051.6	55.19	7100.4071.0	07.20	7140.4118.0	01.20
7000.7847.2	50.20	7001.8051.8	55.19	7100.4071.1	07.20	7142.4046.0	01.31
7000.7848.0	50.20	7001.8052.6	55.19	7100.4071.2	07.20	7142.4146.0	01.31
7000.7848.1	50.20	7001.8052.8	55.19	7100.4072.0	07.20	7142.4303.0	08.04
7000.7848.2	50.20	7001.8053.6	55.19	7100.4072.1	07.20	7142.4303.1	08.04
7000.7849.0	50.20	7001.8053.8	55.19	7100.4072.2	07.20	7142.4304.0	08.04
7000.7849.1	50.20	7001.8061.3	55.19	7100.4073.0	07.20	7142.4304.1	08.04
7000.7849.2	50.20	7001.8061.8	55.19	7100.4073.1	07.20	7164.4024.0	01.22
7000.7850.0	50.20	7001.8062.3	55.19	7100.4073.2	07.20	7164.4124.0	01.22
7000.7850.1	50.20	7001.8062.8	55.19	7100.4077.0	07.20	7172.4052.0	01.32
7000.7850.2	50.20	7001.8063.3	55.19	7100.4077.1	07.20	7172.4053.0	01.34
7000.7851.0	50.20	7001.8063.8	55.19	7100.4077.2	07.20	7172.4152.0	01.32
7000.7851.1	50.20	7001.8071.0	55.19	7100.4078.0	07.20	7172.4153.0	01.34
7000.7851.2	50.20	7001.8071.4	55.19	7100.4078.1	07.20	7172.4305.0	08.04
7000.7852.0	50.20	7001.8071.5	55.19	7100.4078.2	07.20	7172.4305.1	08.04
7000.7852.1	50.20	7001.8072.0	55.19	7100.4079.0	07.20	7172.4306.0	08.04
7000.7852.2	50.20	7001.8072.4	55.19	7100.4079.1	07.20	7172.4306.1	08.04
7000.7853.0	50.20	7001.8072.5	55.19	7100.4079.2	07.20	7203.6001.0	01.02
7000.7853.1	50.20	7001.8081.1	55.20	7100.4201.0	07.19	7203.6001.1	01.02
7000.7853.2	50.20	7001.8081.2	55.20	7100.4201.1	07.19	7203.6001.4	01.02
7000.7854.0	50.20	7001.8081.9	55.20	7100.4202.0	07.19	7203.6002.4	01.02
7000.7854.1	50.20	7001.8082.1	55.20	7100.4202.1	07.19	7203.6101.0	01.02
7000.7854.2	50.20	7001.8082.2	55.20	7100.4203.0	07.19	7203.6101.1	01.02
7000.7855.0	50.20	7001.8082.9	55.20	7100.4203.1	07.19	7203.6101.4	01.02
7000.7855.1	50.20	7001.8091.5	55.20	7100.4204.0	07.19	7203.6102.4	01.02
7000.7855.2	50.20	7001.8091.6	55.20	7100.4204.1	07.19	7204.6002.0	01.02
7000.7856.0	50.20	7001.8091.9	55.20	7100.4205.0	07.19	7204.6002.1	01.02
7000.7856.1	50.20	7001.8092.5	55.20	7100.4205.1	07.19	7204.6102.0	01.02
7000.7856.2	50.20	7001.8092.6	55.20	7100.4206.0	07.19	7204.6102.1	01.02
7000.7857.0	50.20	7001.8092.9	55.20	7100.4206.1	07.19	7210.4401.0	01.04
7000.7857.1	50.20	7001.8101.0	55.20	7100.4211.0	07.19	7210.4401.1	01.04
7000.7857.2	50.20	7001.8101.1	55.20	7100.4211.1	07.19	7210.4411.0	01.04
7000.7858.0	50.20	7001.8101.4	55.20	7100.4212.0	07.19	7210.4411.1	01.04
7000.7858.1	50.20	7001.8102.0	55.20	7100.4212.1	07.19	7210.4451.0	01.05
7000.7858.2	50.20	7001.8102.1	55.20	7100.4213.0	07.19	7210.4461.0	01.05
7000.7859.0	50.21	7001.8102.4	55.20	7100.4213.1	07.19	7216.4402.0	01.06
7000.7860.0	50.21	7001.8111.2	55.20	7100.4214.0	07.19	7216.4402.1	01.06
7000.7861.0	50.21	7001.8111.9	55.20	7100.4214.1	07.19	7216.4403.0	01.08
7000.7862.0	50.21	7001.8112.2	55.20	7100.4215.0	07.19	7216.4403.1	01.08
7000.7863.0	50.21	7001.8112.9	55.20	7100.4215.1	07.19	7216.4412.0	01.06
7000.7864.0	50.21	7001.8121.5	55.20	7100.4216.0	07.19	7216.4412.1	01.06
7000.7865.0	50.21	7001.8121.6	55.20	7100.4216.1	07.19	7216.4413.0	01.08
7000.7866.0	50.21	7001.8122.5	55.20	7100.4310.0	08.05	7216.4413.1	01.08
7000.7867.0	50.21	7001.8122.6	55.20	7100.4310.1	08.05	7216.4452.0	01.07
7000.7868.0	50.21	7001.8150.9	55.20	7100.4311.0	08.05	7216.4453.0	01.09
7000.7880.0	50.21	7001.8151.8	55.20	7100.4311.1	08.05	7216.4462.0	01.07
7000.7881.0	50.21	7001.8152.8	55.20	7100.4313.0	08.05	7216.4463.0	01.09
7000.7882.0	50.21	7001.8161.2	55.20	7100.4313.1	08.05	7300.4330.0	08.09
7000.7883.0	50.21	7001.8162.2	55.20	7100.4314.0	08.05	7300.4330.1	08.09
7000.7884.0	50.21	7001.8171.0	55.20	7100.4314.1	08.05	7300.4331.0	08.09
7000.7885.0	50.21	7001.8172.0	55.20	7100.4345.0	08.12	7300.4331.1	08.09
7000.7886.0	50.21	7001.8181.6	55.20	7100.4345.1	08.12	7300.4333.0	08.09
7000.7887.0	50.21	7001.8182.6	55.20	7100.4347.0	08.12	7300.4333.1	08.09
7001.8001.9	55.19	7001.8185.8	55.20	7100.4347.1	08.12	7300.6235.0	07.21
7001.8002.9	55.19	7001.8188.4	55.20	7100.4349.0	08.12	7300.6235.1	07.21
7001.8003.9	55.19	7001.8191.2	55.20	7100.4349.1	08.12	7300.6236.0	07.21
7001.8011.3	55.19	7001.8194.6	55.20	7107.4001.0	01.14	7300.6236.1	07.21
7001.8011.9	55.19	7006.7000.0	55.04	7107.4001.1	01.14	7300.6237.0	07.21
7001.8012.3	55.19	7006.7009.0	55.04	7107.4101.0	01.14	7300.6237.1	07.21
7001.8012.9	55.19	7010.7000.0	55.04	7107.4101.1	01.14	7300.6238.0	07.21
7001.8013.9	55.19	7010.7009.0	55.04	7108.4002.0	01.16	7300.6238.1	07.21
7001.8021.8	55.19	7016.7000.0	55.04	7108.4058.0	01.33	7300.6239.0	07.21
7001.8021.9	55.19	7016.7009.0	55.04	7108.4059.0	01.35	7300.6239.1	07.21
7001.8022.6	55.19	7024.7000.0	55.04	7108.4102.0	01.16	7300.6240.0	07.21
7001.8022.8	55.19	7024.7009.0	55.04	7108.4158.0	01.33	7300.6240.1	07.21
7001.8022.9	55.19	7100.4031.0	07.20	7108.4159.0	01.35	7300.6241.0	07.21
7001.8023.8	55.19	7100.4031.1	07.20	7108.4307.0	08.04	7300.6241.1	07.21
7001.8024.8	55.19	7100.4031.2	07.20	7108.4307.1	08.04	7300.6242.0	07.21
7001.8024.9	55.19	7100.4032.0	07.20	7108.4308.0	08.04	7300.6242.1	07.21
7001.8031.2	55.19	7100.4032.1	07.20	7108.4308.1	08.04	7300.6243.0	07.21
7001.8031.4	55.19	7100.4032.2	07.20	7115.4006.0	01.18	7300.6243.1	07.21
7001.8032.2	55.19	7100.4033.0	07.20	7115.4106.0	01.18	7300.6244.0	07.21
7001.8032.4	55.19	7100.4033.1	07.20	7124.4040.0	01.30	7300.6244.1	07.21
7001.8033.2	55.19	7100.4033.2	07.20	7124.4140.0	01.30	7300.6245.0	07.21
7001.8034.2	55.19	7100.4037.0	07.20	7124.4301.0	08.04	7300.6245.1	07.21
7001.8034.4	55.19	7100.4037.1	07.20	7124.4301.1	08.04	7300.6246.0	07.21
7001.8041.0	55.19	7100.4037.2	07.20	7124.4302.0	08.04	7300.6246.1	07.21

Part No. Codice	Page Pagina	Part No. Codice	Page Pagina	Part No. Codice	Page Pagina	Part No. Codice	Page Pagina
7300.6247.0	07.21	7316.6006.6	02.36	7424.6118.0	03.11	7607.4341.1	08.12
7300.6247.1	07.21	7316.6063.0	02.07	7503.5831.0	04.17	7607.4342.0	08.12
7300.6248.0	07.21	7316.6064.0	02.11	7503.5931.0	04.17	7607.4342.1	08.12
7300.6248.1	07.21	7316.6105.0	02.06	7503.6031.0	04.03	7607.5802.0	07.07
7300.6249.0	07.21	7316.6105.1	02.06	7503.6031.1	04.03	7607.5902.0	07.07
7300.6249.1	07.21	7316.6105.4	02.34	7503.6071.0	04.04	7608.5807.0	07.11
7300.6250.0	07.21	7316.6105.6	02.34	7503.6131.0	04.03	7608.5907.0	07.11
7300.6250.1	07.21	7316.6106.0	02.10	7503.6131.1	04.03	7612.5805.0	07.09
7300.6255.0	04.15	7316.6106.1	02.10	7503.6171.0	04.04	7612.5905.0	07.09
7300.6256.0	04.15	7316.6106.4	02.36	7506.5832.0	04.18	7617.5811.0	07.13
7300.6257.0	04.15	7316.6106.6	02.36	7506.5834.0	04.20	7617.5911.0	07.13
7300.6258.0	04.15	7316.6164.0	02.11	7506.5932.0	04.18	7700.3065.0	07.25
7304.6044.0	06.08	7318.6091.0	02.42	7506.5934.0	04.20	7700.3066.0	07.25
7304.6144.0	06.08	7318.6191.0	02.42	7506.6032.0	04.05	7700.3067.0	07.25
7306.4321.0	08.08	7324.4327.0	08.08	7506.6032.1	04.05	7700.3068.0	07.25
7306.4321.1	08.08	7324.4327.1	08.08	7506.6052.0	04.10	7700.3069.0	07.25
7306.4322.0	08.08	7324.4328.0	08.08	7506.6052.1	04.10	7700.3071.0	07.25
7306.4322.1	08.08	7324.4328.1	08.08	7506.6072.0	04.06	7700.3072.0	07.25
7306.5851.0	02.17	7324.5855.0	02.20	7506.6082.0	04.11	7700.3073.0	07.25
7306.5861.0	02.24	7324.5856.0	02.22	7506.6132.0	04.05	7700.3074.0	07.25
7306.5951.0	02.17	7324.5865.0	02.27	7506.6132.1	04.05	7700.3075.0	07.25
7306.5961.0	02.24	7324.5866.0	02.29	7506.6152.0	04.10	7700.3097.0	12.05
7306.6003.0	02.02	7324.5955.0	02.20	7506.6152.1	04.10	7700.3097.0	12.06
7306.6003.1	02.02	7324.5956.0	02.22	7506.6172.0	04.06	7700.3131.0	07.24
7306.6003.4	02.32	7324.5965.0	02.27	7506.6182.0	04.11	7700.3132.0	07.24
7306.6003.6	02.32	7324.5966.0	02.29	7510.5833.0	04.19	7700.3133.0	07.24
7306.6041.0	05.02	7324.6007.0	02.08	7510.5835.0	04.21	7700.3134.0	07.24
7306.6042.0	05.03	7324.6007.1	02.08	7510.5933.0	04.19	7700.3135.0	07.24
7306.6045.0	06.08	7324.6007.4	02.35	7510.5935.0	04.21	7700.3136.0	07.24
7306.6061.0	02.03	7324.6007.6	02.35	7510.6033.0	04.07	7700.3137.0	07.24
7306.6103.0	02.02	7324.6008.0	02.12	7510.6033.1	04.07	7700.3138.0	07.24
7306.6103.1	02.02	7324.6008.1	02.12	7510.6053.0	04.12	7700.3184.0	07.23
7306.6103.4	02.32	7324.6008.4	02.37	7510.6053.1	04.12	7700.3185.0	07.23
7306.6103.6	02.32	7324.6008.6	02.37	7510.6073.0	04.09	7700.3186.0	07.23
7306.6141.0	05.02	7324.6065.0	02.09	7510.6083.0	04.14	7700.3188.0	07.23
7306.6142.0	05.03	7324.6066.0	02.13	7510.6133.0	04.07	7700.3189.0	07.23
7306.6145.0	06.08	7324.6107.0	02.08	7510.6133.1	04.07	7700.3190.0	07.23
7306.6161.0	02.03	7324.6107.1	02.08	7510.6153.0	04.12	7700.3436.1	07.18
7310.4323.0	08.08	7324.6107.4	02.35	7510.6153.1	04.12	7700.3437.1	07.18
7310.4323.1	08.08	7324.6107.6	02.35	7510.6173.0	04.09	7700.3438.1	07.18
7310.4324.0	08.08	7324.6108.0	02.12	7510.6183.0	04.14	7700.3440.1	07.18
7310.4324.1	08.08	7324.6108.1	02.12	7516.6034.0	04.08	7700.3441.1	07.18
7310.5852.0	02.18	7324.6108.4	02.37	7516.6034.1	04.08	7700.3442.1	07.18
7310.5862.0	02.25	7324.6108.6	02.37	7516.6035.0	04.13	7700.3513.0	12.65
7310.5952.0	02.18	7324.6165.0	02.09	7516.6035.1	04.13	7700.3515.0	12.50
7310.5962.0	02.25	7324.6166.0	02.13	7516.6134.0	04.08	7700.3540.0	12.62
7310.6004.0	02.04	7332.6036.0	06.02	7516.6134.1	04.08	7700.3542.0	12.62
7310.6004.1	02.04	7332.6092.0	02.43	7516.6135.0	04.13	7700.3544.0	12.62
7310.6004.4	02.33	7332.6093.0	02.45	7516.6135.1	04.13	7700.3550.0	12.64
7310.6004.6	02.33	7332.6136.0	06.02	7600.5700.0	07.22	7700.3551.0	12.64
7310.6062.0	02.05	7332.6192.0	02.43	7600.5700.1	07.22	7700.3552.0	12.64
7310.6090.0	02.41	7332.6193.0	02.45	7600.5701.0	07.22	7700.3553.0	12.64
7310.6104.0	02.04	7340.6096.0	02.48	7600.5701.1	07.22	7700.3554.0	12.64
7310.6104.1	02.04	7340.6196.0	02.48	7600.5702.0	07.22	7700.3555.0	12.64
7310.6104.4	02.33	7342.6039.0	06.06	7600.5702.1	07.22	7700.3556.0	12.64
7310.6104.6	02.33	7342.6139.0	06.06	7600.5703.0	07.22	7700.3557.0	12.64
7310.6162.0	02.05	7346.6094.0	02.44	7600.5703.1	07.22	7700.3558.0	12.64
7310.6190.0	02.41	7346.6095.0	02.46	7600.5704.0	07.22	7700.3561.0	55.08
7312.6043.0	06.10	7346.6194.0	02.44	7600.5704.1	07.22	7700.3562.0	55.08
7312.6046.0	06.12	7346.6195.0	02.46	7600.5710.0	07.22	7700.6909.0	55.14
7312.6143.0	06.10	7364.6097.0	02.49	7600.5710.1	07.22	7701.3056.0	12.12
7312.6146.0	06.12	7364.6197.0	02.49	7600.5711.0	07.22	7701.3058.0	12.12
7314.6040.0	06.04	7400.6836.0	03.02	7600.5711.1	07.22	7701.3487.0	10.02
7314.6140.0	06.04	7400.6836.0	55.09	7600.5712.0	07.22	7701.3489.0	10.02
7316.4325.0	08.08	7400.6877.0	03.02	7600.5712.1	07.22	7701.3498.0	10.08
7316.4325.1	08.08	7400.6877.0	55.09	7600.5713.0	07.22	7701.3510.0	10.08
7316.4326.0	08.08	7400.6878.0	03.02	7600.5713.1	07.22	7701.3512.0	10.10
7316.4326.1	08.08	7400.6878.0	55.09	7600.5714.0	07.22	7701.3514.0	10.10
7316.5853.0	02.19	7406.6011.0	03.04	7600.5714.1	07.22	7701.3563.0	12.60
7316.5854.0	02.21	7406.6012.0	03.05	7600.5820.0	07.02	7701.3565.0	12.60
7316.5863.0	02.26	7406.6111.0	03.04	7602.5816.0	07.02	7701.3566.0	12.60
7316.5864.0	02.28	7406.6112.0	03.05	7602.5817.0	07.02	7702.3090.0	12.14
7316.5953.0	02.19	7410.6013.0	03.06	7602.5818.0	07.03	7702.3092.0	12.14
7316.5954.0	02.21	7410.6014.0	03.07	7602.5819.0	07.03	7702.3181.0	12.16
7316.5963.0	02.26	7410.6113.0	03.06	7602.5916.0	07.02	7702.3182.0	12.16
7316.5964.0	02.28	7410.6114.0	03.07	7602.5917.0	07.02	7702.3230.0	12.18
7316.6005.0	02.06	7416.6015.0	03.08	7602.5918.0	07.03	7702.3232.0	12.18
7316.6005.1	02.06	7416.6016.0	03.09	7602.5919.0	07.03	7702.3234.0	12.18
7316.6005.4	02.34	7416.6115.0	03.08	7605.5801.0	07.05	7702.3236.0	12.18
7316.6005.6	02.34	7416.6116.0	03.09	7605.5901.0	07.05	7702.3240.0	12.20
7316.6006.0	02.10	7424.6017.0	03.10	7606.5815.0	07.15	7702.3242.0	12.20
7316.6006.1	02.10	7424.6018.0	03.11	7606.5915.0	07.15	7702.3390.0	12.40
7316.6006.4	02.36	7424.6117.0	03.10	7607.4341.0	08.12	7702.3392.0	12.40

Part No. Codice	Page Pagina	Part No. Codice	Page Pagina	Part No. Codice	Page Pagina	Part No. Codice	Page Pagina
7702.3490.0	12.50	7803.3547.3	30.05	7803.6229.0	17.02	7806.3932.3	30.15
7702.3492.0	12.50	7803.3547.4	30.05	7803.6229.1	17.02	7806.3933.3	30.15
7702.3530.0	12.62	7803.3549.3	30.05	7803.6230.0	17.07	7806.3934.3	30.15
7703.3250.0	12.22	7803.3549.4	30.05	7803.6230.1	17.07	7806.3935.3	30.09
7703.3252.0	12.22	7803.3559.3	30.05	7803.6230.4	27.01	7806.3950.3	30.08
7703.3254.0	12.22	7803.3559.4	30.05	7803.6231.0	17.04	7806.3951.3	30.08
7703.3256.0	12.22	7803.3560.3	30.06	7803.6231.1	17.04	7806.3952.3	30.08
7703.3264.0	12.24	7803.3560.4	30.06	7803.6232.0	17.09	7806.3953.3	30.08
7703.3266.0	12.24	7803.3561.3	30.06	7803.6232.1	17.09	7806.3954.3	30.08
7703.3548.0	12.64	7803.3561.4	30.06	7803.6232.4	27.03	7806.3955.3	30.08
7704.3268.0	12.26	7803.3562.3	30.06	7803.6232.A	17.09	7806.3956.3	30.08
7704.3270.0	12.26	7803.3562.4	30.06	7803.6801.0	17.06	7806.3957.3	30.08
7704.3494.0	10.04	7803.6201.0	17.05	7803.6801.1	17.06	7806.3958.3	30.08
7704.3496.0	10.04	7803.6201.1	17.05	7803.6801.B	09.09	7806.3959.3	30.08
7705.3360.0	12.38	7803.6202.0	17.10	7803.6801.B	09.21	7806.3960.3	30.08
7705.3362.0	12.38	7803.6202.1	17.10	7803.6801.C	09.09	7806.3961.3	30.08
7706.3327.0	12.30	7803.6202.4	27.04	7803.6801.C	09.21	7806.5212.0	21.29
7706.3329.0	12.30	7803.6202.A	17.10	7803.6802.0	17.11	7806.5212.1	25.18
7706.3336.0	12.32	7803.6203.0	17.05	7803.6802.1	17.11	7806.5214.0	21.29
7706.3338.0	12.32	7803.6203.1	17.05	7803.6802.B	09.10	7806.5214.1	25.18
7706.3515.0	12.07	7803.6204.0	17.10	7803.6802.B	09.22	7806.5216.0	21.29
7706.3516.0	12.07	7803.6204.1	17.10	7803.6802.C	09.10	7806.5216.1	25.18
7707.3274.0	12.28	7803.6204.4	27.04	7803.6802.C	09.22	7806.5218.0	21.29
7707.3276.0	12.28	7803.6204.A	17.10	7803.6803.0	17.06	7806.5220.0	21.29
7708.3344.0	12.34	7803.6205.0	17.04	7803.6803.1	17.06	7806.5270.0	21.30
7708.3346.0	12.34	7803.6205.1	17.04	7803.6804.0	17.11	7806.5270.1	25.19
7708.3518.0	10.06	7803.6206.0	17.09	7803.6804.1	17.11	7806.5280.0	21.31
7708.3520.0	10.06	7803.6206.1	17.09	7803.6879.0	17.06	7806.5280.5	21.32
7709.3466.0	12.48	7803.6206.4	27.03	7803.6879.1	17.06	7806.5280.6	25.20
7709.3468.0	12.48	7803.6206.A	17.09	7803.6880.0	17.06	7806.5281.0	21.31
7709.3470.0	12.48	7803.6207.0	17.02	7803.6881.1	17.06	7806.5281.5	21.32
7709.3472.0	12.48	7803.6207.1	17.02	7803.6884.1	17.11	7806.5281.6	25.20
7710.3517.0	12.07	7803.6208.0	17.07	7803.6884.A	17.11	7806.5282.0	21.31
7710.3518.0	12.07	7803.6208.1	17.07	7803.6885.1	17.11	7806.5282.5	21.32
7710.3523.0	12.08	7803.6208.4	27.01	7803.6885.A	17.11	7806.5283.0	21.31
7712.3420.0	12.42	7803.6209.0	17.02	7806.3601.8	30.10	7806.5283.5	21.32
7712.3422.0	12.42	7803.6209.1	17.02	7806.3602.8	30.10	7806.5299.0	21.33
7716.3519.0	12.07	7803.6210.0	17.07	7806.3603.8	30.10	7806.5299.5	21.34
7716.3520.0	12.07	7803.6210.1	17.07	7806.3604.8	30.10	7806.5299.6	25.21
7717.3424.0	12.44	7803.6210.4	27.01	7806.3606.8	30.10	7806.5300.0	21.33
7717.3426.0	12.44	7803.6211.0	17.04	7806.3607.8	30.10	7806.5300.5	21.34
7720.3354.0	12.36	7803.6211.1	17.04	7806.3608.8	30.10	7806.5300.6	25.21
7720.3356.0	12.36	7803.6212.0	17.09	7806.3611.8	30.11	7806.5301.0	21.33
7724.3521.0	12.07	7803.6212.1	17.09	7806.3612.8	30.11	7806.5301.5	21.34
7724.3522.0	12.07	7803.6212.4	27.03	7806.3613.8	30.11	7806.5302.0	21.33
7725.3430.0	12.46	7803.6212.A	17.09	7806.3614.8	30.11	7806.5302.5	21.34
7725.3432.0	12.46	7803.6213.0	17.03	7806.3615.8	30.11	7806.5303.0	21.33
7801.0565.4	18.10	7803.6213.1	17.03	7806.3616.8	30.11	7806.5303.5	21.34
7801.0575.4	18.10	7803.6214.0	17.03	7806.3617.8	30.11	7806.6301.0	21.01
7801.0580.4	18.10	7803.6214.1	17.03	7806.3620.8	30.11	7806.6301.1	25.01
7801.0590.4	18.11	7803.6215.0	17.03	7806.3731.3	30.15	7806.6301.4	27.16
7803.3431.3	30.07	7803.6215.1	17.03	7806.3732.3	30.15	7806.6302.0	21.01
7803.3431.4	30.07	7803.6216.0	17.03	7806.3733.3	30.15	7806.6302.1	25.01
7803.3432.3	30.07	7803.6216.1	17.03	7806.3734.3	30.15	7806.6302.4	27.16
7803.3432.4	30.07	7803.6218.0	17.08	7806.3735.3	30.09	7806.6311.0	21.02
7803.3443.3	30.03	7803.6218.1	17.08	7806.3750.3	30.08	7806.6311.1	25.02
7803.3443.4	30.03	7803.6218.4	27.02	7806.3751.3	30.08	7806.6312.0	21.02
7803.3444.3	30.03	7803.6218.5	17.08	7806.3752.3	30.08	7806.6312.1	25.02
7803.3444.4	30.03	7803.6218.6	17.08	7806.3753.3	30.08	7806.6343.0	21.27
7803.3446.3	30.04	7803.6218.9	27.02	7806.3754.3	30.08	7806.6344.0	21.27
7803.3446.4	30.04	7803.6219.0	17.08	7806.3755.3	30.08	7806.6351.0	21.01
7803.3447.3	30.05	7803.6219.1	17.08	7806.3756.3	30.08	7806.6351.1	25.01
7803.3447.4	30.05	7803.6219.4	27.02	7806.3757.3	30.08	7806.6351.4	27.16
7803.3449.3	30.05	7803.6219.5	17.08	7806.3758.3	30.08	7806.6352.0	21.01
7803.3449.4	30.05	7803.6219.6	17.08	7806.3759.3	30.08	7806.6352.1	25.01
7803.3459.3	30.05	7803.6219.9	27.02	7806.3760.3	30.08	7806.6352.4	27.16
7803.3459.4	30.05	7803.6220.0	17.08	7806.3761.3	30.08	7806.6361.0	21.02
7803.3460.3	30.06	7803.6220.1	17.08	7806.3801.8	30.10	7806.6361.1	25.02
7803.3460.4	30.06	7803.6220.4	27.02	7806.3802.8	30.10	7806.6362.0	21.02
7803.3461.3	30.06	7803.6221.0	17.08	7806.3803.8	30.10	7806.6362.1	25.02
7803.3461.4	30.06	7803.6221.1	17.08	7806.3804.8	30.10	7806.6391.0	21.27
7803.3462.3	30.06	7803.6221.4	27.02	7806.3806.8	30.10	7806.6392.0	21.27
7803.3462.4	30.06	7803.6225.0	17.04	7806.3807.8	30.10	7806.6395.0	21.27
7803.3531.3	30.07	7803.6225.1	17.04	7806.3808.8	30.10	7806.6396.0	21.27
7803.3531.4	30.07	7803.6226.0	17.09	7806.3811.8	30.11	7806.6401.0	21.09
7803.3532.3	30.07	7803.6226.1	17.09	7806.3812.8	30.11	7806.6401.1	25.05
7803.3532.4	30.07	7803.6226.4	27.03	7806.3813.8	30.11	7806.6401.4	27.16
7803.3543.3	30.03	7803.6226.A	17.09	7806.3814.8	30.11	7806.6402.0	21.10
7803.3543.4	30.03	7803.6227.0	17.02	7806.3815.8	30.11	7806.6402.1	25.06
7803.3544.3	30.03	7803.6227.1	17.02	7806.3816.8	30.11	7806.6427.0	21.12
7803.3544.4	30.03	7803.6228.0	17.07	7806.3817.8	30.11	7806.6427.1	25.12
7803.3546.3	30.04	7803.6228.1	17.07	7806.3820.8	30.11	7806.6427.4	27.17
7803.3546.4	30.04	7803.6228.4	27.01	7806.3931.3	30.15	7806.6427.5	21.13

Part No. Codice	Page Pagina	Part No. Codice	Page Pagina	Part No. Codice	Page Pagina	Part No. Codice	Page Pagina
7806.6427.6	25.12	7806.6941.4	27.17	7806.7874.0	21.04	7810.3837.8	30.11
7806.6427.9	27.17	7806.6991.0	21.28	7806.7875.0	21.04	7810.3840.8	30.11
7806.6428.0	21.12	7806.7001.0	21.28	7808.6640.1	18.02	7810.3841.8	30.11
7806.6428.1	25.12	7806.7002.0	21.28	7808.6643.1	18.02	7810.3842.8	30.11
7806.6428.4	27.17	7806.7070.0	21.07	7808.6646.1	18.01	7810.3845.8	30.11
7806.6428.5	21.13	7806.7071.0	21.07	7808.6648.1	18.01	7810.3936.3	30.09
7806.6428.6	25.12	7806.7078.0	21.08	7808.6650.5	18.07	7810.3963.3	30.08
7806.6428.9	27.17	7806.7079.0	21.08	7808.6650.6	18.07	7810.3964.3	30.08
7806.6449.0	21.12	7806.7101.0	21.28	7808.6650.9	18.07	7810.3965.3	30.08
7806.6449.1	25.12	7806.7102.0	21.28	7808.6651.5	18.07	7810.3966.3	30.08
7806.6449.4	27.17	7806.7150.0	21.05	7808.6651.6	18.07	7810.3967.3	30.08
7806.6449.5	21.13	7806.7150.1	25.03	7808.6651.9	18.07	7810.3968.3	30.08
7806.6449.6	25.12	7806.7150.4	27.16	7808.6654.5	18.08	7810.3969.3	30.08
7806.6449.9	27.17	7806.7151.0	21.05	7808.6654.6	18.08	7810.3970.3	30.08
7806.6450.0	21.12	7806.7151.4	27.16	7808.6654.9	18.08	7810.3973.3	30.08
7806.6450.1	25.12	7806.7152.0	21.05	7808.6655.5	18.08	7810.3974.3	30.08
7806.6450.4	27.17	7806.7152.1	25.03	7808.6655.6	18.08	7810.3975.3	30.08
7806.6450.5	21.13	7806.7152.4	27.16	7808.6655.9	18.08	7810.3976.3	30.08
7806.6450.6	25.12	7806.7153.0	21.05	7808.6657.5	18.07	7810.3977.3	30.08
7806.6450.9	27.17	7806.7153.4	27.16	7808.6657.6	18.07	7810.3978.3	30.08
7806.6477.0	21.15	7806.7154.0	21.05	7808.6657.9	18.07	7810.4490.0	20.06
7806.6477.1	25.14	7806.7154.1	25.03	7808.6659.5	18.07	7810.4490.1	20.06
7806.6477.4	27.18	7806.7154.4	27.16	7808.6659.6	18.07	7810.4491.0	20.06
7806.6477.5	21.16	7806.7155.0	21.05	7808.6659.9	18.07	7810.4491.1	20.06
7806.6477.6	25.14	7806.7155.4	27.16	7808.6660.1	18.06	7810.4501.0	20.01
7806.6477.9	27.18	7806.7156.0	21.05	7808.6662.0	18.09	7810.4501.1	20.01
7806.6478.0	21.15	7806.7156.1	25.03	7808.6662.1	18.09	7810.4502.0	20.01
7806.6478.1	25.14	7806.7156.4	27.16	7808.6662.4	18.09	7810.4502.1	20.01
7806.6478.4	27.18	7806.7157.0	21.05	7808.6663.1	18.04	7810.4502.4	27.05
7806.6478.5	21.16	7806.7157.4	27.16	7808.6664.1	18.04	7810.4503.0	20.01
7806.6478.6	25.14	7806.7158.0	21.05	7808.6665.1	18.06	7810.4503.1	20.01
7806.6478.9	27.18	7806.7158.1	25.03	7808.6666.1	18.06	7810.4504.0	20.01
7806.6491.0	21.15	7806.7158.4	27.16	7808.6667.1	18.03	7810.4504.1	20.01
7806.6491.1	25.14	7806.7205.0	21.26	7808.6668.1	18.03	7810.4504.4	27.05
7806.6491.4	27.18	7806.7205.1	25.10	7808.6669.1	18.05	7810.4505.0	20.01
7806.6491.5	21.16	7806.7211.0	21.24	7808.6670.5	18.08	7810.4505.1	20.01
7806.6491.6	25.14	7806.7212.0	21.24	7808.6670.6	18.08	7810.4506.0	20.01
7806.6491.9	27.18	7806.7212.1	25.08	7808.6670.9	18.08	7810.4506.1	20.01
7806.6492.0	21.15	7806.7220.0	21.25	7808.6672.5	18.08	7810.4506.4	27.05
7806.6492.1	25.14	7806.7220.1	25.09	7808.6672.6	18.08	7810.4507.0	20.01
7806.6492.4	27.18	7806.7221.0	21.25	7808.6672.9	18.08	7810.4507.1	20.01
7806.6492.5	21.16	7806.7221.1	25.09	7810.3625.8	30.10	7810.4508.0	20.01
7806.6492.6	25.14	7806.7222.0	21.25	7810.3626.8	30.10	7810.4508.1	20.01
7806.6492.9	27.18	7806.7222.1	25.09	7810.3627.8	30.10	7810.4508.4	27.05
7806.6501.0	21.14	7806.7223.0	21.25	7810.3628.8	30.10	7810.4511.0	20.02
7806.6501.1	25.13	7806.7223.1	25.09	7810.3629.8	30.10	7810.4511.1	20.02
7806.6501.4	27.18	7806.7224.0	21.25	7810.3630.8	30.10	7810.4512.0	20.02
7806.6502.0	21.14	7806.7224.1	25.09	7810.3631.8	30.10	7810.4512.1	20.02
7806.6502.1	25.13	7806.7225.0	21.25	7810.3632.8	30.10	7810.4513.0	20.02
7806.6502.4	27.18	7806.7225.1	25.09	7810.3634.8	30.11	7810.4513.1	20.02
7806.6503.0	21.11	7806.7226.0	21.25	7810.3635.8	30.11	7810.4514.0	20.02
7806.6503.1	25.11	7806.7226.1	25.09	7810.3636.8	30.11	7810.4514.1	20.02
7806.6503.4	27.17	7806.7227.0	21.25	7810.3637.8	30.11	7810.4515.0	20.02
7806.6504.0	21.11	7806.7227.1	25.09	7810.3640.8	30.11	7810.4515.1	20.02
7806.6504.1	25.11	7806.7228.0	21.25	7810.3641.8	30.11	7810.4516.0	20.02
7806.6504.4	27.17	7806.7228.1	25.09	7810.3642.8	30.11	7810.4516.1	20.02
7806.6531.0	21.18	7806.7251.0	21.24	7810.3645.8	30.11	7810.4517.0	20.02
7806.6531.1	25.15	7806.7252.0	21.24	7810.3736.3	30.09	7810.4517.1	20.02
7806.6542.0	21.18	7806.7252.1	25.08	7810.3763.3	30.08	7810.4518.0	20.02
7806.6542.1	25.15	7806.7264.0	21.06	7810.3764.3	30.08	7810.4518.1	20.02
7806.6551.0	21.14	7806.7264.1	25.04	7810.3765.3	30.08	7810.4541.0	20.03
7806.6551.1	25.13	7806.7265.0	21.06	7810.3766.3	30.08	7810.4541.1	20.03
7806.6551.4	27.18	7806.7266.0	21.06	7810.3767.3	30.08	7810.4541.4	27.06
7806.6552.0	21.14	7806.7266.1	25.04	7810.3768.3	30.08	7810.4542.0	20.04
7806.6552.1	25.13	7806.7267.0	21.06	7810.3769.3	30.08	7810.4542.1	20.04
7806.6552.4	27.18	7806.7268.0	21.06	7810.3770.3	30.08	7810.4550.0	20.05
7806.6553.0	21.11	7806.7268.1	25.04	7810.3773.3	30.08	7810.4550.1	20.05
7806.6553.1	25.11	7806.7269.0	21.06	7810.3774.3	30.08	7810.4550.4	27.07
7806.6553.4	27.17	7806.7270.0	21.06	7810.3775.3	30.08	7810.4551.0	20.05
7806.6554.0	21.11	7806.7270.1	25.04	7810.3776.3	30.08	7810.4551.1	20.05
7806.6554.1	25.11	7806.7271.0	21.06	7810.3777.3	30.08	7810.4551.4	27.07
7806.6554.4	27.17	7806.7272.0	21.06	7810.3778.3	30.08	7810.4552.0	20.05
7806.6581.0	21.18	7806.7272.1	25.04	7810.3825.8	30.10	7810.4552.1	20.05
7806.6581.1	25.15	7806.7450.0	21.28	7810.3826.8	30.10	7810.4552.4	27.07
7806.6592.0	21.18	7806.7451.0	21.28	7810.3827.8	30.10	7810.4553.0	20.05
7806.6592.1	25.15	7806.7452.0	21.28	7810.3828.8	30.10	7810.4553.1	20.05
7806.6813.0	21.21	7806.7453.0	21.28	7810.3829.8	30.10	7810.4553.4	27.07
7806.6813.1	25.17	7806.7550.0	21.28	7810.3830.8	30.10	7810.4561.0	20.07
7806.6813.4	27.19	7806.7551.0	21.28	7810.3831.8	30.10	7810.4561.1	20.07
7806.6818.0	21.22	7806.7552.0	21.28	7810.3832.8	30.10	7810.4561.4	27.08
7806.6818.1	25.17	7806.7553.0	21.28	7810.3834.8	30.11	7810.4561.5	20.07
7806.6818.4	27.19	7806.7860.0	21.03	7810.3835.8	30.11	7810.4561.6	20.07
7806.6941.0	21.17	7806.7861.0	21.03	7810.3836.8	30.11	7810.4561.9	27.08

Part No. Codice	Page Pagina	Part No. Codice	Page Pagina	Part No. Codice	Page Pagina	Part No. Codice	Page Pagina
7810.4562.0	20.07	7810.5023.3	26.02	7810.5100.7	23.16	7810.5308.5	21.34
7810.4562.1	24.07	7810.5024.0	23.02	7810.5100.8	26.12	7810.5308.7	21.34
7810.4562.4	27.08	7810.5024.1	26.02	7810.5101.0	23.15	7810.5361.0	22.19
7810.4562.5	20.07	7810.5024.2	23.02	7810.5101.1	26.11	7810.5361.1	25.41
7810.4562.6	24.07	7810.5024.3	26.02	7810.5101.2	23.15	7810.5361.2	22.19
7810.4562.9	27.08	7810.5025.0	23.02	7810.5101.3	26.11	7810.5361.3	25.41
7810.4563.0	20.07	7810.5025.1	26.02	7810.5101.5	23.16	7810.5362.0	22.19
7810.4563.1	24.07	7810.5025.2	23.02	7810.5101.6	26.12	7810.5362.1	25.41
7810.4563.4	27.08	7810.5025.3	26.02	7810.5101.7	23.16	7810.5362.2	22.19
7810.4563.5	20.07	7810.5026.0	23.02	7810.5101.8	26.12	7810.5362.3	25.41
7810.4563.6	24.07	7810.5026.1	26.02	7810.5102.0	23.15	7810.6303.0	21.01
7810.4563.9	27.08	7810.5026.2	23.02	7810.5102.1	26.11	7810.6303.1	25.01
7810.4564.0	20.07	7810.5026.3	26.02	7810.5102.2	23.15	7810.6303.2	21.01
7810.4564.1	24.07	7810.5050.0	23.09	7810.5102.3	26.11	7810.6304.0	21.01
7810.4564.4	27.08	7810.5050.1	26.05	7810.5102.5	23.16	7810.6304.1	25.01
7810.4564.5	20.07	7810.5050.2	23.09	7810.5102.6	26.12	7810.6304.2	21.01
7810.4564.6	24.07	7810.5050.3	26.05	7810.5102.7	23.16	7810.6313.0	21.02
7810.4564.9	27.08	7810.5054.0	23.10	7810.5102.8	26.12	7810.6313.1	25.02
7810.4565.0	20.07	7810.5054.1	26.06	7810.5103.0	23.15	7810.6313.2	21.02
7810.4565.1	24.07	7810.5054.2	23.10	7810.5103.1	26.11	7810.6314.0	21.02
7810.4565.4	27.08	7810.5054.3	26.06	7810.5103.2	23.15	7810.6314.1	25.02
7810.4571.0	20.08	7810.5060.0	23.11	7810.5103.3	26.11	7810.6314.2	21.02
7810.4571.1	24.08	7810.5060.1	26.07	7810.5103.5	23.16	7810.6322.0	22.01
7810.4571.4	27.09	7810.5060.2	23.11	7810.5103.6	26.12	7810.6322.1	25.22
7810.4572.0	20.08	7810.5060.3	26.07	7810.5103.7	23.16	7810.6322.2	22.01
7810.4572.1	24.08	7810.5061.0	23.11	7810.5103.8	26.12	7810.6322.3	25.22
7810.4572.4	27.09	7810.5061.1	26.07	7810.5120.0	23.17	7810.6322.4	27.20
7810.4573.0	20.08	7810.5061.2	23.11	7810.5120.1	26.13	7810.6323.0	22.01
7810.4573.1	24.08	7810.5061.3	26.07	7810.5124.0	23.18	7810.6323.1	25.22
7810.4573.4	27.09	7810.5062.0	23.11	7810.5124.1	26.14	7810.6323.2	22.01
7810.4581.0	20.09	7810.5062.1	26.07	7810.5129.0	23.05	7810.6323.3	25.22
7810.4581.1	24.09	7810.5062.2	23.11	7810.5129.1	26.03	7810.6323.4	27.20
7810.4581.4	27.10	7810.5062.3	26.07	7810.5129.2	23.05	7810.6353.0	21.01
7810.4581.5	20.09	7810.5070.0	23.12	7810.5129.3	26.03	7810.6353.1	25.01
7810.4581.6	24.09	7810.5070.1	26.08	7810.5130.0	23.05	7810.6353.2	21.01
7810.4581.9	27.10	7810.5070.2	23.12	7810.5130.1	26.03	7810.6354.0	21.01
7810.4582.0	20.09	7810.5070.3	26.08	7810.5130.2	23.05	7810.6354.1	25.01
7810.4582.1	24.09	7810.5070.5	23.13	7810.5130.3	26.03	7810.6354.2	21.01
7810.4582.4	27.10	7810.5070.6	26.09	7810.5131.0	23.05	7810.6363.0	21.02
7810.4582.5	20.09	7810.5070.7	23.13	7810.5131.1	26.03	7810.6363.1	25.02
7810.4582.6	24.09	7810.5070.8	26.09	7810.5131.2	23.05	7810.6363.2	21.02
7810.4582.9	27.10	7810.5071.0	23.12	7810.5131.3	26.03	7810.6364.0	21.02
7810.4583.0	20.09	7810.5071.1	26.08	7810.5132.0	23.05	7810.6364.1	25.02
7810.4583.1	24.09	7810.5071.2	23.12	7810.5132.1	26.03	7810.6364.2	21.02
7810.4583.4	27.10	7810.5071.3	26.08	7810.5132.2	23.05	7810.6372.0	22.01
7810.4583.5	20.09	7810.5071.5	23.13	7810.5132.3	26.03	7810.6372.1	25.22
7810.4583.6	24.09	7810.5071.6	26.09	7810.5133.0	23.05	7810.6372.2	22.01
7810.4583.9	27.10	7810.5071.7	23.13	7810.5133.1	26.03	7810.6372.3	25.22
7810.4584.0	20.09	7810.5071.8	26.09	7810.5133.2	23.05	7810.6372.4	27.20
7810.4584.1	24.09	7810.5072.0	23.12	7810.5133.3	26.03	7810.6373.0	22.01
7810.4584.4	27.10	7810.5072.1	26.08	7810.5134.0	23.05	7810.6373.1	25.22
7810.4584.5	20.09	7810.5072.2	23.12	7810.5134.1	26.03	7810.6373.2	22.01
7810.4584.6	24.09	7810.5072.3	26.08	7810.5134.2	23.05	7810.6373.3	25.22
7810.4584.9	27.10	7810.5072.5	23.13	7810.5134.3	26.03	7810.6373.4	27.20
7810.4591.0	20.10	7810.5072.6	26.09	7810.5135.0	23.05	7810.6403.0	21.09
7810.4591.1	24.10	7810.5072.7	23.13	7810.5135.1	26.03	7810.6403.1	25.05
7810.4591.4	27.11	7810.5072.8	26.09	7810.5135.2	23.05	7810.6403.2	21.09
7810.4594.0	20.10	7810.5073.0	23.12	7810.5135.3	26.03	7810.6404.0	21.10
7810.4594.1	24.10	7810.5073.1	26.08	7810.5136.0	23.05	7810.6404.1	25.06
7810.4594.4	27.11	7810.5073.2	23.12	7810.5136.1	26.03	7810.6404.2	21.10
7810.4992.0	20.06	7810.5073.3	26.08	7810.5136.2	23.05	7810.6412.0	22.05
7810.4992.1	24.06	7810.5073.5	23.13	7810.5136.3	26.03	7810.6412.1	25.26
7810.4993.0	20.06	7810.5073.6	26.09	7810.5137.0	23.05	7810.6412.2	22.05
7810.4993.1	24.06	7810.5073.7	23.13	7810.5137.1	26.03	7810.6412.3	25.26
7810.5001.0	23.01	7810.5073.8	26.09	7810.5137.2	23.05	7810.6412.4	27.22
7810.5001.1	26.01	7810.5090.0	23.14	7810.5137.3	26.03	7810.6421.0	22.07
7810.5001.2	23.01	7810.5090.1	26.10	7810.5159.0	23.06	7810.6421.0B	22.23
7810.5001.3	26.01	7810.5090.2	23.14	7810.5159.1	26.04	7810.6421.1	25.28
7810.5002.0	23.01	7810.5090.3	26.10	7810.5159.2	23.06	7810.6421.2	22.07
7810.5002.1	26.01	7810.5091.0	23.14	7810.5159.3	26.04	7810.6421.2B	22.23
7810.5002.2	23.01	7810.5091.1	26.10	7810.5160.0	23.06	7810.6421.3	25.28
7810.5002.3	26.01	7810.5091.2	23.14	7810.5160.1	26.04	7810.6421.4	27.24
7810.5003.0	23.01	7810.5091.3	26.10	7810.5160.2	23.06	7810.6421.5	22.08
7810.5003.1	26.01	7810.5092.0	23.14	7810.5160.3	26.04	7810.6421.5B	22.24
7810.5003.2	23.01	7810.5092.1	26.10	7810.5161.0	23.06	7810.6421.6	25.29
7810.5003.3	26.01	7810.5092.2	23.14	7810.5161.1	26.04	7810.6421.7	22.08
7810.5004.0	23.01	7810.5092.3	26.10	7810.5161.2	23.06	7810.6421.7B	22.24
7810.5004.1	26.01	7810.5100.0	23.15	7810.5161.3	26.04	7810.6421.8	25.29
7810.5004.2	23.01	7810.5100.1	26.11	7810.5162.0	23.06	7810.6421.9	27.25
7810.5004.3	26.01	7810.5100.2	23.15	7810.5162.1	26.04	7810.6422.0	22.07
7810.5023.0	23.02	7810.5100.3	26.11	7810.5162.2	23.06	7810.6422.0B	22.23
7810.5023.1	26.02	7810.5100.5	23.16	7810.5162.3	26.04	7810.6422.1	25.28
7810.5023.2	23.02	7810.5100.6	26.12	7810.5163.0	23.06	7810.6422.2	22.07

Part No. Codice	Page Pagina	Part No. Codice	Page Pagina	Part No. Codice	Page Pagina	Part No. Codice	Page Pagina
7810.6422.2B	22.23	7810.6471.3	25.31	7810.6494.1	25.14	7810.6612.1	25.35
7810.6422.3	25.28	7810.6471.4	27.27	7810.6494.2	21.15	7810.6612.2	22.14
7810.6422.4	27.24	7810.6471.5	22.11	7810.6494.2B	21.37	7810.6612.3	25.35
7810.6422.5	22.08	7810.6471.5B	22.26	7810.6494.5	21.16	7810.6612.5	22.14
7810.6422.5B	22.24	7810.6471.6	25.32	7810.6494.5B	21.38	7810.6612.6	25.35
7810.6422.6	25.29	7810.6471.7	22.11	7810.6494.6	25.14	7810.6612.7	22.14
7810.6422.7	22.08	7810.6471.7B	22.26	7810.6494.7	21.16	7810.6612.8	25.35
7810.6422.7B	22.24	7810.6471.8	25.32	7810.6494.7B	21.38	7810.6805.0	22.21
7810.6422.8	25.29	7810.6471.9	27.28	7810.6505.0	21.14	7810.6805.1	25.40
7810.6422.9	27.25	7810.6472.0	22.10	7810.6505.1	25.13	7810.6805.4	27.30
7810.6429.0	21.12	7810.6472.0B	22.25	7810.6505.2	21.14	7810.6809.0	22.22
7810.6429.0B	21.35	7810.6472.1	25.31	7810.6506.0	21.11	7810.6809.1	25.40
7810.6429.1	25.12	7810.6472.2	22.10	7810.6506.1	25.11	7810.6809.4	27.30
7810.6429.2	21.12	7810.6472.2B	22.25	7810.6506.2	21.11	7810.6814.0	21.21
7810.6429.2B	21.35	7810.6472.3	25.31	7810.6519.0	22.09	7810.6814.1	25.17
7810.6429.5	21.13	7810.6472.4	27.27	7810.6519.1	25.30	7810.6819.0	21.22
7810.6429.5B	21.36	7810.6472.5	22.11	7810.6519.2	22.09	7810.6819.1	25.17
7810.6429.6	25.12	7810.6472.5B	22.26	7810.6519.3	25.30	7810.7003.0	22.17
7810.6429.7	21.13	7810.6472.6	25.32	7810.6519.4	27.26	7810.7003.1	25.38
7810.6429.7B	21.36	7810.6472.7	22.11	7810.6520.0	22.06	7810.7003.2	22.17
7810.6430.0	21.12	7810.6472.7B	22.26	7810.6520.1	25.27	7810.7003.3	25.38
7810.6430.0B	21.35	7810.6472.8	25.32	7810.6520.2	22.06	7810.7003.5	22.18
7810.6430.1	25.12	7810.6472.9	27.28	7810.6520.3	25.27	7810.7003.6	25.39
7810.6430.2	21.12	7810.6479.0	21.15	7810.6520.4	27.23	7810.7003.7	22.18
7810.6430.2B	21.35	7810.6479.0B	21.37	7810.6532.0	21.18	7810.7003.8	25.39
7810.6430.5	21.13	7810.6479.1	25.14	7810.6532.1	25.15	7810.7004.0	22.17
7810.6430.5B	21.36	7810.6479.2	21.15	7810.6532.2	21.18	7810.7004.1	25.38
7810.6430.6	25.12	7810.6479.2B	21.37	7810.6536.0	22.16	7810.7004.2	22.17
7810.6430.7	21.13	7810.6479.5	21.16	7810.6536.1	25.37	7810.7004.3	25.38
7810.6430.7B	21.36	7810.6479.5B	21.38	7810.6536.2	22.16	7810.7004.5	22.18
7810.6443.0	22.07	7810.6479.6	25.14	7810.6536.3	25.37	7810.7004.6	25.39
7810.6443.0B	22.23	7810.6479.7	21.16	7810.6555.0	21.14	7810.7004.7	22.18
7810.6443.1	25.28	7810.6479.7B	21.38	7810.6555.1	25.13	7810.7004.8	25.39
7810.6443.2	22.07	7810.6480.0	21.15	7810.6555.2	21.14	7810.7007.0	21.17
7810.6443.2B	22.23	7810.6480.0B	21.37	7810.6556.0	21.11	7810.7007.2	21.17
7810.6443.3	25.28	7810.6480.1	25.14	7810.6556.1	25.11	7810.7008.0	21.19
7810.6443.4	27.24	7810.6480.2	21.15	7810.6556.2	21.11	7810.7008.1	25.16
7810.6443.5	22.08	7810.6480.2B	21.37	7810.6569.0	22.09	7810.7008.2	21.19
7810.6443.5B	22.24	7810.6480.5	21.16	7810.6569.1	25.30	7810.7008.5	21.20
7810.6443.6	25.29	7810.6480.5B	21.38	7810.6569.2	22.09	7810.7008.6	25.16
7810.6443.7	22.08	7810.6480.6	25.14	7810.6569.3	25.30	7810.7008.7	21.20
7810.6443.7B	22.24	7810.6480.7	21.16	7810.6569.4	27.26	7810.7009.0	21.19
7810.6443.8	25.29	7810.6480.7B	21.38	7810.6570.0	22.06	7810.7009.1	25.16
7810.6443.9	27.25	7810.6485.0	22.10	7810.6570.1	25.27	7810.7009.2	21.19
7810.6444.0	22.07	7810.6485.0B	22.25	7810.6570.2	22.06	7810.7009.5	21.20
7810.6444.0B	22.23	7810.6485.1	25.31	7810.6570.3	25.27	7810.7009.6	25.16
7810.6444.1	25.28	7810.6485.2	22.10	7810.6570.4	27.23	7810.7009.7	21.20
7810.6444.2	22.07	7810.6485.2B	22.25	7810.6582.0	21.18	7810.7011.0	22.12
7810.6444.2B	22.23	7810.6485.3	25.31	7810.6582.1	25.15	7810.7011.1	25.33
7810.6444.3	25.28	7810.6485.4	27.27	7810.6582.2	21.18	7810.7011.2	22.12
7810.6444.4	27.24	7810.6485.5	22.11	7810.6586.0	22.16	7810.7011.3	25.33
7810.6444.5	22.08	7810.6485.5B	22.26	7810.6586.1	25.37	7810.7012.0	22.13
7810.6444.5B	22.24	7810.6485.6	25.32	7810.6586.2	22.16	7810.7012.1	25.34
7810.6444.6	25.29	7810.6485.7	22.11	7810.6586.3	25.37	7810.7012.2	22.13
7810.6444.7	22.08	7810.6485.7B	22.26	7810.6593.0	21.11	7810.7012.3	25.34
7810.6444.7B	22.24	7810.6485.8	25.32	7810.6593.1	25.11	7810.7012.4	27.29
7810.6444.8	25.29	7810.6485.9	27.28	7810.6593.2	21.11	7810.7072.0	21.07
7810.6444.9	27.25	7810.6486.0	22.10	7810.6594.0	21.14	7810.7072.2	21.07
7810.6451.0	21.12	7810.6486.0B	22.25	7810.6594.1	25.13	7810.7073.0	21.07
7810.6451.0B	21.35	7810.6486.1	25.31	7810.6594.2	21.14	7810.7073.2	21.07
7810.6451.1	25.12	7810.6486.2	22.10	7810.6595.0	22.06	7810.7080.0	21.08
7810.6451.2	21.12	7810.6486.2B	22.25	7810.6595.1	25.27	7810.7080.2	21.08
7810.6451.2B	21.35	7810.6486.3	25.31	7810.6595.2	22.06	7810.7081.0	21.08
7810.6451.5	21.13	7810.6486.4	27.27	7810.6595.3	25.27	7810.7081.2	21.08
7810.6451.5B	21.36	7810.6486.5	22.11	7810.6595.4	27.23	7810.7104.0	22.17
7810.6451.6	25.12	7810.6486.5B	22.26	7810.6596.0	22.09	7810.7104.1	25.38
7810.6451.7	21.13	7810.6486.6	25.32	7810.6596.1	25.30	7810.7104.2	22.17
7810.6451.7B	21.36	7810.6486.7	22.11	7810.6596.2	22.09	7810.7104.3	25.38
7810.6452.0	21.12	7810.6486.7B	22.26	7810.6596.3	25.30	7810.7104.5	22.18
7810.6452.0B	21.35	7810.6486.8	25.32	7810.6596.4	27.26	7810.7104.6	25.39
7810.6452.1	25.12	7810.6486.9	27.28	7810.6598.0	22.16	7810.7104.7	22.18
7810.6452.2	21.12	7810.6493.0	21.15	7810.6598.1	25.37	7810.7104.8	25.39
7810.6452.2B	21.35	7810.6493.0B	21.37	7810.6598.2	22.16	7810.7105.0	22.17
7810.6452.5	21.13	7810.6493.1	25.14	7810.6598.3	25.37	7810.7105.1	25.38
7810.6452.5B	21.36	7810.6493.2	21.15	7810.6610.0	22.14	7810.7105.2	22.17
7810.6452.6	25.12	7810.6493.2B	21.37	7810.6610.1	25.35	7810.7105.3	25.38
7810.6452.7	21.13	7810.6493.5	21.16	7810.6610.2	22.14	7810.7105.5	22.18
7810.6452.7B	21.36	7810.6493.5B	21.38	7810.6610.3	25.35	7810.7105.6	25.39
7810.6471.0	22.10	7810.6493.6	25.14	7810.6610.5	22.14	7810.7105.7	22.18
7810.6471.0B	22.25	7810.6493.7	21.16	7810.6610.6	25.35	7810.7105.8	25.39
7810.6471.1	25.31	7810.6493.7B	21.38	7810.6610.7	22.14	7810.7107.0	21.19
7810.6471.2	22.10	7810.6494.0	21.15	7810.6610.8	25.35	7810.7107.1	25.16
7810.6471.2B	22.25	7810.6494.0B	21.37	7810.6612.0	22.14	7810.7107.2	21.19

Part No. Codice	Page Pagina	Part No. Codice	Page Pagina	Part No. Codice	Page Pagina	Part No. Codice	Page Pagina
7810.7107.5	21.20	7810.7275.0	21.06	7810.7573.3	25.25	7816.3990.3	30.08
7810.7107.6	25.16	7810.7275.1	25.04	7810.7574.0	22.04	7816.3991.3	30.08
7810.7107.7	21.20	7810.7275.2	21.06	7810.7574.1	25.25	7816.4521.0	20.01
7810.7108.0	21.19	7810.7276.0	21.06	7810.7574.2	22.04	7816.4521.1	24.01
7810.7108.1	25.16	7810.7276.2	21.06	7810.7574.3	25.25	7816.4522.0	20.01
7810.7108.2	21.19	7810.7277.0	21.06	7810.7581.0	23.03	7816.4522.1	24.01
7810.7108.5	21.20	7810.7277.1	25.04	7810.7581.2	23.03	7816.4522.4	27.05
7810.7108.6	25.16	7810.7277.2	21.06	7810.7582.0	23.03	7816.4523.0	20.01
7810.7108.7	21.20	7810.7278.0	21.06	7810.7582.2	23.03	7816.4523.1	24.01
7810.7109.0	22.12	7810.7278.2	21.06	7810.7682.0	23.07	7816.4524.0	20.01
7810.7109.1	25.33	7810.7279.0	21.06	7810.7682.2	23.07	7816.4524.1	24.01
7810.7109.2	22.12	7810.7279.1	25.04	7810.7683.0	23.07	7816.4524.4	27.05
7810.7109.3	25.33	7810.7279.2	21.06	7810.7683.2	23.07	7816.4525.0	20.01
7810.7159.0	21.05	7810.7280.0	21.06	7810.7692.0	23.08	7816.4525.1	24.01
7810.7159.1	25.03	7810.7280.2	21.06	7810.7692.2	23.08	7816.4526.0	20.01
7810.7159.2	21.05	7810.7281.0	21.06	7810.7693.0	23.08	7816.4526.1	24.01
7810.7160.0	21.05	7810.7281.1	25.04	7810.7693.2	23.08	7816.4526.4	27.05
7810.7160.2	21.05	7810.7281.2	21.06	7810.7862.0	21.03	7816.4527.0	20.01
7810.7161.0	21.05	7810.7458.0	22.03	7810.7862.2	21.03	7816.4527.1	24.01
7810.7161.1	25.03	7810.7458.1	25.24	7810.7863.0	21.03	7816.4528.0	20.01
7810.7161.2	21.05	7810.7458.2	22.03	7810.7863.2	21.03	7816.4528.1	24.01
7810.7162.0	21.05	7810.7458.3	25.24	7810.7876.0	21.04	7816.4528.4	27.05
7810.7162.2	21.05	7810.7458.4	27.21	7810.7876.2	21.04	7816.4531.0	20.02
7810.7163.0	21.05	7810.7459.0	22.03	7810.7877.0	21.04	7816.4531.1	24.02
7810.7163.1	25.03	7810.7459.1	25.24	7810.7877.2	21.04	7816.4532.0	20.02
7810.7163.2	21.05	7810.7459.2	22.03	7816.3650.8	30.10	7816.4532.1	24.02
7810.7164.0	21.05	7810.7459.3	25.24	7816.3651.8	30.10	7816.4533.0	20.02
7810.7164.2	21.05	7810.7459.4	27.21	7816.3652.8	30.10	7816.4533.1	24.02
7810.7165.0	21.05	7810.7460.0	22.03	7816.3653.8	30.10	7816.4534.0	20.02
7810.7165.1	25.03	7810.7460.1	25.24	7816.3654.8	30.10	7816.4534.1	24.02
7810.7165.2	21.05	7810.7460.2	22.03	7816.3657.8	30.10	7816.4535.0	20.02
7810.7166.0	21.05	7810.7460.3	25.24	7816.3658.8	30.10	7816.4535.1	24.02
7810.7166.2	21.05	7810.7460.4	27.21	7816.3659.8	30.10	7816.4536.0	20.02
7810.7167.0	21.05	7810.7461.0	22.03	7816.3661.8	30.10	7816.4536.1	24.02
7810.7167.1	25.03	7810.7461.1	25.24	7816.3663.8	30.11	7816.4537.0	20.02
7810.7167.2	21.05	7810.7461.2	22.03	7816.3664.8	30.11	7816.4537.1	24.02
7810.7206.0	21.26	7810.7461.3	25.24	7816.3665.8	30.11	7816.4538.0	20.02
7810.7206.1	25.10	7810.7461.4	27.21	7816.3666.8	30.11	7816.4538.1	24.02
7810.7206.2	21.26	7810.7462.0	22.03	7816.3668.8	30.11	7816.4543.0	20.03
7810.7213.0	21.24	7810.7462.1	25.24	7816.3670.8	30.11	7816.4543.1	24.03
7810.7213.1	25.08	7810.7462.2	22.03	7816.3671.8	30.11	7816.4543.4	27.06
7810.7213.2	21.24	7810.7462.3	25.24	7816.3673.8	30.11	7816.4544.0	20.04
7810.7214.0	21.24	7810.7462.4	27.21	7816.3737.3	30.09	7816.4544.1	24.04
7810.7214.1	25.08	7810.7463.0	22.03	7816.3780.3	30.08	7816.4555.0	20.05
7810.7214.2	21.24	7810.7463.1	25.24	7816.3781.3	30.08	7816.4555.1	24.05
7810.7229.0	21.25	7810.7463.2	22.03	7816.3782.3	30.08	7816.4555.4	27.07
7810.7229.1	25.09	7810.7463.3	25.24	7816.3783.3	30.08	7816.4556.0	20.05
7810.7229.2	21.25	7810.7463.4	27.21	7816.3784.3	30.08	7816.4556.1	24.05
7810.7230.0	21.25	7810.7464.0	22.03	7816.3785.3	30.08	7816.4556.4	27.07
7810.7230.1	25.09	7810.7464.1	25.24	7816.3786.3	30.08	7816.4557.0	20.05
7810.7230.2	21.25	7810.7464.2	22.03	7816.3787.3	30.08	7816.4557.1	24.05
7810.7231.0	21.25	7810.7464.3	25.24	7816.3788.3	30.08	7816.4557.4	27.07
7810.7231.1	25.09	7810.7464.4	27.21	7816.3789.3	30.08	7816.4558.0	20.05
7810.7231.2	21.25	7810.7465.0	22.03	7816.3790.3	30.08	7816.4558.1	24.05
7810.7232.0	21.25	7810.7465.1	25.24	7816.3791.3	30.08	7816.4558.4	27.07
7810.7232.1	25.09	7810.7465.2	22.03	7816.3850.8	30.10	7816.4566.0	20.07
7810.7232.2	21.25	7810.7465.3	25.24	7816.3851.8	30.10	7816.4566.1	24.07
7810.7233.0	21.25	7810.7465.4	27.21	7816.3852.8	30.10	7816.4566.4	27.08
7810.7233.1	25.09	7810.7466.0	22.03	7816.3853.8	30.10	7816.4566.5	20.07
7810.7233.2	21.25	7810.7466.1	25.24	7816.3854.8	30.10	7816.4566.6	24.07
7810.7234.0	21.25	7810.7466.2	22.03	7816.3857.8	30.10	7816.4566.9	27.08
7810.7234.1	25.09	7810.7466.3	25.24	7816.3858.8	30.10	7816.4567.0	20.07
7810.7234.2	21.25	7810.7466.4	27.21	7816.3859.8	30.10	7816.4567.1	24.07
7810.7235.0	21.25	7810.7467.0	22.03	7816.3861.8	30.10	7816.4567.4	27.08
7810.7235.1	25.09	7810.7467.1	25.24	7816.3863.8	30.11	7816.4567.5	20.07
7810.7235.2	21.25	7810.7467.2	22.03	7816.3864.8	30.11	7816.4567.6	24.07
7810.7236.0	21.25	7810.7467.3	25.24	7816.3865.8	30.11	7816.4567.9	27.08
7810.7236.1	25.09	7810.7467.4	27.21	7816.3866.8	30.11	7816.4568.0	20.07
7810.7236.2	21.25	7810.7557.0	23.04	7816.3868.8	30.11	7816.4568.1	24.07
7810.7237.0	21.25	7810.7557.2	23.04	7816.3870.8	30.11	7816.4568.4	27.08
7810.7237.1	25.09	7810.7558.0	23.04	7816.3871.8	30.11	7816.4568.5	20.07
7810.7237.2	21.25	7810.7558.2	23.04	7816.3873.8	30.11	7816.4568.6	24.07
7810.7253.0	21.24	7810.7562.0	22.02	7816.3937.3	30.09	7816.4568.9	27.08
7810.7253.1	25.08	7810.7562.1	25.23	7816.3980.3	30.08	7816.4569.0	20.07
7810.7253.2	21.24	7810.7562.2	22.02	7816.3981.3	30.08	7816.4569.1	24.07
7810.7254.0	21.24	7810.7562.3	25.23	7816.3982.3	30.08	7816.4569.4	27.08
7810.7254.1	25.08	7810.7563.0	22.02	7816.3983.3	30.08	7816.4569.5	20.07
7810.7254.2	21.24	7810.7563.1	25.23	7816.3984.3	30.08	7816.4569.6	24.07
7810.7273.0	21.06	7810.7563.2	22.02	7816.3985.3	30.08	7816.4569.9	27.08
7810.7273.1	25.04	7810.7563.3	25.23	7816.3986.3	30.08	7816.4570.0	20.07
7810.7273.2	21.06	7810.7573.0	22.04	7816.3987.3	30.08	7816.4570.1	24.07
7810.7274.0	21.06	7810.7573.1	25.25	7816.3988.3	30.08	7816.4570.4	27.08
7810.7274.2	21.06	7810.7573.2	22.04	7816.3989.3	30.08	7816.4570.5	20.08

Part No. Codice	Page Pagina	Part No. Codice	Page Pagina	Part No. Codice	Page Pagina	Part No. Codice	Page Pagina
7816.4575.1	24.08	7816.5055.1	26.06	7816.5107.0	23.15	7816.5234.3	25.18
7816.4575.4	27.09	7816.5055.2	23.10	7816.5107.1	26.11	7816.5236.0	21.29
7816.4576.0	20.08	7816.5055.3	26.06	7816.5107.2	23.15	7816.5236.1	25.18
7816.4576.1	24.08	7816.5063.0	23.11	7816.5107.3	26.11	7816.5236.2	21.29
7816.4576.4	27.09	7816.5063.1	26.07	7816.5107.5	23.16	7816.5236.3	25.18
7816.4577.0	20.08	7816.5063.2	23.11	7816.5107.6	26.12	7816.5238.0	21.29
7816.4577.1	24.08	7816.5063.3	26.07	7816.5107.7	23.16	7816.5238.2	21.29
7816.4577.4	27.09	7816.5064.0	23.11	7816.5107.8	26.12	7816.5240.0	21.29
7816.4586.0	20.09	7816.5064.1	26.07	7816.5121.0	23.17	7816.5240.2	21.29
7816.4586.1	24.09	7816.5064.2	23.11	7816.5121.1	26.13	7816.5272.0	21.30
7816.4586.4	27.10	7816.5064.3	26.07	7816.5125.0	23.18	7816.5272.1	25.19
7816.4586.5	20.09	7816.5065.0	23.11	7816.5125.1	26.14	7816.5272.2	21.30
7816.4586.6	24.09	7816.5065.1	26.07	7816.5138.0	23.05	7816.5272.3	25.19
7816.4586.9	27.10	7816.5065.2	23.11	7816.5138.1	26.03	7816.5290.0	21.31
7816.4587.0	20.09	7816.5065.3	26.07	7816.5138.2	23.05	7816.5290.2	21.31
7816.4587.1	24.09	7816.5074.0	23.12	7816.5138.3	26.03	7816.5290.5	21.32
7816.4587.4	27.10	7816.5074.1	26.08	7816.5139.0	23.05	7816.5290.6	25.20
7816.4587.5	20.09	7816.5074.2	23.12	7816.5139.1	26.03	7816.5290.7	21.32
7816.4587.6	24.09	7816.5074.3	26.08	7816.5139.2	23.05	7816.5290.8	25.20
7816.4587.9	27.10	7816.5074.5	23.13	7816.5139.3	26.03	7816.5291.0	21.31
7816.4588.0	20.09	7816.5074.6	26.09	7816.5140.0	23.05	7816.5291.2	21.31
7816.4588.1	24.09	7816.5074.7	23.13	7816.5140.1	26.03	7816.5291.5	21.32
7816.4588.4	27.10	7816.5074.8	26.09	7816.5140.2	23.05	7816.5291.6	25.20
7816.4588.5	20.09	7816.5075.0	23.12	7816.5140.3	26.03	7816.5291.7	21.32
7816.4588.6	24.09	7816.5075.1	26.08	7816.5141.0	23.05	7816.5291.8	25.20
7816.4588.9	27.10	7816.5075.2	23.12	7816.5141.1	26.03	7816.5292.0	21.31
7816.4589.0	20.09	7816.5075.3	26.08	7816.5141.2	23.05	7816.5292.2	21.31
7816.4589.1	24.09	7816.5075.5	23.13	7816.5141.3	26.03	7816.5292.5	21.32
7816.4589.4	27.10	7816.5075.6	26.09	7816.5142.0	23.05	7816.5292.7	21.32
7816.4589.5	20.09	7816.5075.7	23.13	7816.5142.1	26.03	7816.5293.0	21.31
7816.4589.6	24.09	7816.5075.8	26.09	7816.5142.2	23.05	7816.5293.2	21.31
7816.4589.9	27.10	7816.5076.0	23.12	7816.5142.3	26.03	7816.5293.5	21.32
7816.4592.0	20.10	7816.5076.1	26.08	7816.5143.0	23.05	7816.5293.7	21.32
7816.4592.1	24.10	7816.5076.2	23.12	7816.5143.1	26.03	7816.5309.0	21.33
7816.4592.4	27.11	7816.5076.3	26.08	7816.5143.2	23.05	7816.5309.2	21.33
7816.4595.0	20.10	7816.5076.5	23.13	7816.5143.3	26.03	7816.5309.5	21.34
7816.4595.1	24.10	7816.5076.6	26.09	7816.5144.0	23.05	7816.5309.6	25.21
7816.4595.4	27.11	7816.5076.7	23.13	7816.5144.1	26.03	7816.5309.7	21.34
7816.4994.0	20.06	7816.5076.8	26.09	7816.5144.2	23.05	7816.5309.8	25.21
7816.4994.1	24.06	7816.5077.0	23.12	7816.5144.3	26.03	7816.5310.0	21.33
7816.4995.0	20.06	7816.5077.1	26.08	7816.5145.0	23.05	7816.5310.2	21.33
7816.4995.1	24.06	7816.5077.2	23.12	7816.5145.1	26.03	7816.5310.5	21.34
7816.4996.0	20.06	7816.5077.3	26.08	7816.5145.2	23.05	7816.5310.6	25.21
7816.4996.1	24.06	7816.5077.5	23.13	7816.5145.3	26.03	7816.5310.7	21.34
7816.4997.0	20.06	7816.5077.6	26.09	7816.5169.0	23.06	7816.5310.8	25.21
7816.4997.1	24.06	7816.5077.7	23.13	7816.5169.1	26.04	7816.5311.0	21.33
7816.5005.0	23.01	7816.5077.8	26.09	7816.5169.2	23.06	7816.5311.2	21.33
7816.5005.1	26.01	7816.5093.0	23.14	7816.5169.3	26.04	7816.5311.5	21.34
7816.5005.2	23.01	7816.5093.1	26.10	7816.5170.0	23.06	7816.5311.6	25.21
7816.5005.3	26.01	7816.5093.2	23.14	7816.5170.1	26.04	7816.5311.7	21.34
7816.5006.0	23.01	7816.5093.3	26.10	7816.5170.2	23.06	7816.5311.8	25.21
7816.5006.1	26.01	7816.5094.0	23.14	7816.5170.3	26.04	7816.5312.0	21.33
7816.5006.2	23.01	7816.5094.1	26.10	7816.5171.0	23.06	7816.5312.2	21.33
7816.5006.3	26.01	7816.5094.2	23.14	7816.5171.1	26.04	7816.5312.5	21.34
7816.5007.0	23.01	7816.5094.3	26.10	7816.5171.2	23.06	7816.5312.7	21.34
7816.5007.1	26.01	7816.5095.0	23.14	7816.5171.3	26.04	7816.5313.0	21.33
7816.5007.2	23.01	7816.5095.1	26.10	7816.5172.0	23.06	7816.5313.2	21.33
7816.5007.3	26.01	7816.5095.2	23.14	7816.5172.1	26.04	7816.5313.5	21.34
7816.5008.0	23.01	7816.5095.3	26.10	7816.5172.2	23.06	7816.5313.7	21.34
7816.5008.1	26.01	7816.5104.0	23.15	7816.5172.3	26.04	7816.5365.0	22.19
7816.5008.2	23.01	7816.5104.1	26.11	7816.5173.0	23.06	7816.5365.1	25.41
7816.5008.3	26.01	7816.5104.2	23.15	7816.5173.1	26.04	7816.5365.2	22.19
7816.5027.0	23.02	7816.5104.3	26.11	7816.5173.2	23.06	7816.5365.3	25.41
7816.5027.1	26.02	7816.5104.5	23.16	7816.5173.3	26.04	7816.5366.0	22.19
7816.5027.2	23.02	7816.5104.6	26.12	7816.5174.0	23.06	7816.5366.1	25.41
7816.5027.3	26.02	7816.5104.7	23.16	7816.5174.1	26.04	7816.5366.2	22.19
7816.5028.0	23.02	7816.5104.8	26.12	7816.5174.2	23.06	7816.5366.3	25.41
7816.5028.1	26.02	7816.5105.0	23.15	7816.5174.3	26.04	7816.5367.0	22.19
7816.5028.2	23.02	7816.5105.1	26.11	7816.5175.0	23.06	7816.5367.1	25.41
7816.5028.3	26.02	7816.5105.2	23.15	7816.5175.1	26.04	7816.5367.2	22.19
7816.5029.0	23.02	7816.5105.3	26.11	7816.5175.2	23.06	7816.5367.3	25.41
7816.5029.1	26.02	7816.5105.5	23.16	7816.5175.3	26.04	7816.5368.0	22.19
7816.5029.2	23.02	7816.5105.6	26.12	7816.5176.0	23.06	7816.5368.1	25.41
7816.5029.3	26.02	7816.5105.7	23.16	7816.5176.1	26.04	7816.5368.2	22.19
7816.5030.0	23.02	7816.5105.8	26.12	7816.5176.2	23.06	7816.5368.3	25.41
7816.5030.1	26.02	7816.5106.0	23.15	7816.5176.3	26.04	7816.6305.0	21.01
7816.5030.2	23.02	7816.5106.1	26.11	7816.5232.0	21.29	7816.6305.1	25.01
7816.5030.3	26.02	7816.5106.2	23.15	7816.5232.1	25.18	7816.6305.2	21.01
7816.5051.0	23.09	7816.5106.3	26.11	7816.5232.2	21.29	7816.6306.0	21.01
7816.5051.1	26.05	7816.5106.5	23.16	7816.5232.3	25.18	7816.6306.1	25.01
7816.5051.2	23.09	7816.5106.6	26.12	7816.5234.0	21.29	7816.6306.2	21.01
7816.5051.3	26.05	7816.5106.7	23.16	7816.5234.1	25.18	7816.6315.0	21.02
7816.5055.0	23.10	7816.5106.8	26.12	7816.5234.2	21.29	7816.6315.1	25.02

Part No. Codice	Page Pagina	Part No. Codice	Page Pagina	Part No. Codice	Page Pagina	Part No. Codice	Page Pagina
7816.6315.2	21.02	7816.6431.7	21.13	7816.6454.5	21.13	7816.6487.1	25.31
7816.6316.0	21.02	7816.6431.7B	21.36	7816.6454.5B	21.36	7816.6487.2	22.10
7816.6316.1	25.02	7816.6432.0	21.12	7816.6454.6	25.12	7816.6487.2B	22.25
7816.6316.2	21.02	7816.6432.0B	21.35	7816.6454.7	21.13	7816.6487.3	25.31
7816.6324.0	22.01	7816.6432.1	25.12	7816.6454.7B	21.36	7816.6487.4	27.27
7816.6324.1	25.22	7816.6432.2	21.12	7816.6457.0	22.17	7816.6487.5	22.11
7816.6324.2	22.01	7816.6432.2B	21.35	7816.6457.1	25.38	7816.6487.5B	22.26
7816.6324.3	25.22	7816.6432.5	21.13	7816.6457.2	22.17	7816.6487.6	25.32
7816.6324.4	27.20	7816.6432.5B	21.36	7816.6457.3	25.38	7816.6487.7	22.11
7816.6325.0	22.01	7816.6432.6	25.12	7816.6457.5	22.18	7816.6487.7B	22.26
7816.6325.1	25.22	7816.6432.7	21.13	7816.6457.6	25.39	7816.6487.8	25.32
7816.6325.2	22.01	7816.6432.7B	21.36	7816.6457.7	22.18	7816.6487.9	27.28
7816.6325.3	25.22	7816.6435.0	22.17	7816.6457.8	25.39	7816.6488.0	22.10
7816.6325.4	27.20	7816.6435.1	25.38	7816.6458.0	22.17	7816.6488.0B	22.25
7816.6355.0	21.01	7816.6435.2	22.17	7816.6458.1	25.38	7816.6488.1	25.31
7816.6355.1	25.01	7816.6435.3	25.38	7816.6458.2	22.17	7816.6488.2	22.10
7816.6355.2	21.01	7816.6435.5	22.18	7816.6458.3	25.38	7816.6488.2B	22.25
7816.6356.0	21.01	7816.6435.6	25.39	7816.6458.5	22.18	7816.6488.3	25.31
7816.6356.1	25.01	7816.6435.7	22.18	7816.6458.6	25.39	7816.6488.4	27.27
7816.6356.2	21.01	7816.6435.8	25.39	7816.6458.7	22.18	7816.6488.5	22.11
7816.6365.0	21.02	7816.6436.0	22.17	7816.6458.8	25.39	7816.6488.5B	22.26
7816.6365.1	25.02	7816.6436.1	25.38	7816.6461.0	21.19	7816.6488.6	25.32
7816.6365.2	21.02	7816.6436.2	22.17	7816.6461.1	25.16	7816.6488.7	22.11
7816.6366.0	21.02	7816.6436.3	25.38	7816.6461.2	21.19	7816.6488.7B	22.26
7816.6366.1	25.02	7816.6436.5	22.18	7816.6461.5	21.20	7816.6488.8	25.32
7816.6366.2	21.02	7816.6436.6	25.39	7816.6461.6	25.16	7816.6488.9	27.28
7816.6374.0	22.01	7816.6436.7	22.18	7816.6461.7	21.20	7816.6495.0	21.15
7816.6374.1	25.22	7816.6436.8	25.39	7816.6462.0	21.19	7816.6495.0B	21.37
7816.6374.2	22.01	7816.6439.0	21.19	7816.6462.1	25.16	7816.6495.1	25.14
7816.6374.3	25.22	7816.6439.1	25.16	7816.6462.2	21.19	7816.6495.2	21.15
7816.6374.4	27.20	7816.6439.2	21.19	7816.6462.5	21.20	7816.6495.2B	21.37
7816.6375.0	22.01	7816.6439.5	21.20	7816.6462.6	25.16	7816.6495.5	21.16
7816.6375.1	25.22	7816.6439.6	25.16	7816.6462.7	21.20	7816.6495.5B	21.38
7816.6375.2	22.01	7816.6439.7	21.20	7816.6473.0	22.10	7816.6495.6	25.14
7816.6375.3	25.22	7816.6440.0	21.19	7816.6473.0B	22.25	7816.6495.7	21.16
7816.6375.4	27.20	7816.6440.1	25.16	7816.6473.1	25.31	7816.6495.7B	21.38
7816.6405.0	21.09	7816.6440.2	21.19	7816.6473.2	22.10	7816.6496.0	21.15
7816.6405.1	25.05	7816.6440.5	21.20	7816.6473.2B	22.25	7816.6496.0B	21.37
7816.6405.2	21.09	7816.6440.6	25.16	7816.6473.3	25.31	7816.6496.1	25.14
7816.6406.0	21.10	7816.6440.7	21.20	7816.6473.4	27.27	7816.6496.2	21.15
7816.6406.1	25.06	7816.6445.0	22.07	7816.6473.5	22.11	7816.6496.2B	21.37
7816.6406.2	21.10	7816.6445.0B	22.23	7816.6473.5B	22.26	7816.6496.5	21.16
7816.6413.0	22.05	7816.6445.1	25.28	7816.6473.6	25.32	7816.6496.5B	21.38
7816.6413.1	25.26	7816.6445.2	22.07	7816.6473.7	22.11	7816.6496.6	25.14
7816.6413.2	22.05	7816.6445.2B	22.23	7816.6473.7B	22.26	7816.6496.7	21.16
7816.6413.3	25.26	7816.6445.3	25.28	7816.6473.8	25.32	7816.6496.7B	21.38
7816.6413.4	27.22	7816.6445.4	27.24	7816.6473.9	27.28	7816.6507.0	21.14
7816.6423.0	22.07	7816.6445.5	22.08	7816.6474.0	22.10	7816.6507.1	25.13
7816.6423.0B	22.23	7816.6445.5B	22.24	7816.6474.0B	22.25	7816.6507.2	21.14
7816.6423.1	25.28	7816.6445.6	25.29	7816.6474.1	25.31	7816.6508.0	21.11
7816.6423.2	22.07	7816.6445.7	22.08	7816.6474.2	22.10	7816.6508.1	25.11
7816.6423.2B	22.23	7816.6445.7B	22.24	7816.6474.2B	22.25	7816.6508.2	21.11
7816.6423.3	25.28	7816.6445.8	25.29	7816.6474.3	25.31	7816.6521.0	22.09
7816.6423.4	27.24	7816.6445.9	27.25	7816.6474.4	27.27	7816.6521.1	25.30
7816.6423.5	22.08	7816.6446.0	22.07	7816.6474.5	22.11	7816.6521.2	22.09
7816.6423.5B	22.24	7816.6446.0B	22.23	7816.6474.5B	22.26	7816.6521.3	25.30
7816.6423.6	25.29	7816.6446.1	25.28	7816.6474.6	25.32	7816.6521.4	27.26
7816.6423.7	22.08	7816.6446.2	22.07	7816.6474.7	22.11	7816.6522.0	22.06
7816.6423.7B	22.24	7816.6446.2B	22.23	7816.6474.7B	22.26	7816.6522.1	25.27
7816.6423.8	25.29	7816.6446.3	25.28	7816.6474.8	25.32	7816.6522.2	22.06
7816.6423.9	27.25	7816.6446.4	27.24	7816.6474.9	27.28	7816.6522.3	25.27
7816.6424.0	22.07	7816.6446.5	22.08	7816.6481.0	21.15	7816.6522.4	27.23
7816.6424.0B	22.23	7816.6446.5B	22.24	7816.6481.0B	21.37	7816.6533.0	21.18
7816.6424.1	25.28	7816.6446.6	25.29	7816.6481.1	25.14	7816.6533.1	25.15
7816.6424.2	22.07	7816.6446.7	22.08	7816.6481.2	21.15	7816.6533.2	21.18
7816.6424.2B	22.23	7816.6446.7B	22.24	7816.6481.2B	21.37	7816.6537.0	22.16
7816.6424.3	25.28	7816.6446.8	25.29	7816.6481.5	21.16	7816.6537.1	25.37
7816.6424.4	27.24	7816.6446.9	27.25	7816.6481.5B	21.38	7816.6537.2	22.16
7816.6424.5	22.08	7816.6453.0	21.12	7816.6481.6	25.14	7816.6537.3	25.37
7816.6424.5B	22.24	7816.6453.0B	21.35	7816.6481.7	21.16	7816.6545.0	22.09
7816.6424.6	25.29	7816.6453.1	25.12	7816.6481.7B	21.38	7816.6545.1	25.30
7816.6424.7	22.08	7816.6453.2	21.12	7816.6482.0	21.15	7816.6545.2	22.09
7816.6424.7B	22.24	7816.6453.2B	21.35	7816.6482.0B	21.37	7816.6545.3	25.30
7816.6424.8	25.29	7816.6453.5	21.13	7816.6482.1	25.14	7816.6546.0	22.06
7816.6424.9	27.25	7816.6453.5B	21.36	7816.6482.2	21.15	7816.6546.1	25.27
7816.6431.0	21.12	7816.6453.6	25.12	7816.6482.2B	21.37	7816.6546.2	22.06
7816.6431.0B	21.35	7816.6453.7	21.13	7816.6482.5	21.16	7816.6546.3	25.27
7816.6431.1	25.12	7816.6453.7B	21.36	7816.6482.5B	21.38	7816.6547.0	21.11
7816.6431.2	21.12	7816.6454.0	21.12	7816.6482.6	25.14	7816.6547.1	25.11
7816.6431.2B	21.35	7816.6454.0B	21.35	7816.6482.7	21.16	7816.6547.2	21.11
7816.6431.5	21.13	7816.6454.1	25.12	7816.6482.7B	21.38	7816.6548.0	21.11
7816.6431.5B	21.36	7816.6454.2	21.12	7816.6487.0	22.10	7816.6548.1	25.11
7816.6431.6	25.12	7816.6454.2B	21.35	7816.6487.0B	22.25	7816.6548.2	21.11

Part No. Codice	Page Pagina	Part No. Codice	Page Pagina	Part No. Codice	Page Pagina	Part No. Codice	Page Pagina
7816.6549.0	21.14	7816.6815.0	21.21	7816.7241.1	25.09	7816.7475.2	22.03
7816.6549.1	25.13	7816.6815.1	25.17	7816.7241.2	21.25	7816.7475.3	25.24
7816.6549.2	21.14	7816.6820.0	21.22	7816.7242.0	21.25	7816.7475.4	27.21
7816.6550.0	21.14	7816.6820.1	25.17	7816.7242.1	25.09	7816.7476.0	22.03
7816.6550.1	25.13	7816.6921.0	22.06	7816.7242.2	21.25	7816.7476.1	25.24
7816.6550.2	21.14	7816.6921.1	25.27	7816.7243.0	21.25	7816.7476.2	22.03
7816.6557.0	21.14	7816.6921.2	22.06	7816.7243.1	25.09	7816.7476.3	25.24
7816.6557.1	25.13	7816.6921.3	25.27	7816.7243.2	21.25	7816.7476.4	27.21
7816.6557.2	21.14	7816.6921.4	27.23	7816.7244.0	21.25	7816.7564.0	22.02
7816.6558.0	21.11	7816.6922.0	22.09	7816.7244.1	25.09	7816.7564.1	25.23
7816.6558.1	25.11	7816.6922.1	25.30	7816.7244.2	21.25	7816.7564.2	22.02
7816.6558.2	21.11	7816.6922.2	22.09	7816.7245.0	21.25	7816.7564.3	25.23
7816.6571.0	22.09	7816.6922.3	25.30	7816.7245.1	25.09	7816.7565.0	22.02
7816.6571.1	25.30	7816.6922.4	27.26	7816.7245.2	21.25	7816.7565.1	25.23
7816.6571.2	22.09	7816.6923.0	22.16	7816.7246.0	21.25	7816.7565.2	22.02
7816.6571.3	25.30	7816.6923.1	25.37	7816.7246.1	25.09	7816.7565.3	25.23
7816.6571.4	27.26	7816.6923.2	22.16	7816.7246.2	21.25	7816.7575.0	22.04
7816.6572.0	22.06	7816.6923.3	25.37	7816.7255.0	21.24	7816.7575.1	25.25
7816.6572.1	25.27	7816.7019.0	21.17	7816.7255.1	25.08	7816.7575.2	22.04
7816.6572.2	22.06	7816.7019.2	21.17	7816.7255.2	21.24	7816.7575.3	25.25
7816.6572.3	25.27	7816.7021.0	22.12	7816.7256.0	21.24	7816.7576.0	22.04
7816.6572.4	27.23	7816.7021.1	25.33	7816.7256.1	25.08	7816.7576.1	25.25
7816.6583.0	21.18	7816.7021.2	22.12	7816.7256.2	21.24	7816.7576.2	22.04
7816.6583.1	25.15	7816.7021.3	25.33	7816.7282.0	21.06	7816.7576.3	25.25
7816.6583.2	21.18	7816.7022.0	22.13	7816.7282.1	25.04	7816.7583.0	23.03
7816.6587.0	22.16	7816.7022.1	25.34	7816.7282.2	21.06	7816.7583.2	23.03
7816.6587.1	25.37	7816.7022.2	22.13	7816.7283.0	21.06	7816.7584.0	23.03
7816.6587.2	22.16	7816.7022.3	25.34	7816.7283.2	21.06	7816.7584.2	23.03
7816.6587.3	25.37	7816.7022.4	27.29	7816.7284.0	21.06	7816.7590.0	23.04
7816.6615.0	22.15	7816.7074.0	21.07	7816.7284.1	25.04	7816.7590.2	23.04
7816.6615.1	25.36	7816.7074.2	21.07	7816.7284.2	21.06	7816.7591.0	23.04
7816.6615.2	22.15	7816.7075.0	21.07	7816.7285.0	21.06	7816.7591.2	23.04
7816.6615.3	25.36	7816.7075.2	21.07	7816.7285.2	21.06	7816.7684.0	23.07
7816.6615.5	22.15	7816.7082.0	21.08	7816.7286.0	21.06	7816.7684.2	23.07
7816.6615.6	25.36	7816.7082.2	21.08	7816.7286.1	25.04	7816.7685.0	23.07
7816.6615.7	22.15	7816.7083.0	21.08	7816.7286.2	21.06	7816.7685.2	23.07
7816.6615.8	25.36	7816.7083.2	21.08	7816.7287.0	21.06	7816.7694.0	23.08
7816.6616.0	22.15	7816.7113.0	22.12	7816.7287.2	21.06	7816.7694.2	23.08
7816.6616.1	25.36	7816.7113.1	25.33	7816.7288.0	21.06	7816.7695.0	23.08
7816.6616.2	22.15	7816.7113.2	22.12	7816.7288.1	25.04	7816.7695.2	23.08
7816.6616.3	25.36	7816.7113.3	25.33	7816.7288.2	21.06	7816.7864.0	21.03
7816.6616.5	22.15	7816.7168.0	21.05	7816.7289.0	21.06	7816.7864.2	21.03
7816.6616.6	25.36	7816.7168.1	25.03	7816.7289.2	21.06	7816.7865.0	21.03
7816.6616.7	22.15	7816.7168.2	21.05	7816.7290.0	21.06	7816.7865.2	21.03
7816.6616.8	25.36	7816.7169.0	21.05	7816.7290.1	25.04	7816.7878.0	21.04
7816.6618.0	22.14	7816.7169.2	21.05	7816.7290.2	21.06	7816.7878.2	21.04
7816.6618.1	25.35	7816.7170.0	21.05	7816.7468.0	22.03	7816.7879.0	21.04
7816.6618.2	22.14	7816.7170.1	25.03	7816.7468.1	25.24	7816.7879.2	21.04
7816.6618.3	25.35	7816.7170.2	21.05	7816.7468.2	22.03	7824.3675.8	30.10
7816.6618.5	22.14	7816.7171.0	21.05	7816.7468.3	25.24	7824.3676.8	30.10
7816.6618.6	25.35	7816.7171.2	21.05	7816.7468.4	27.21	7824.3677.8	30.10
7816.6618.7	22.14	7816.7172.0	21.05	7816.7469.0	22.03	7824.3678.8	30.10
7816.6618.8	25.35	7816.7172.1	25.03	7816.7469.1	25.24	7824.3679.8	30.10
7816.6619.0	22.14	7816.7172.2	21.05	7816.7469.2	22.03	7824.3680.8	30.10
7816.6619.1	25.35	7816.7173.0	21.05	7816.7469.3	25.24	7824.3681.8	30.10
7816.6619.2	22.14	7816.7173.2	21.05	7816.7469.4	27.21	7824.3682.8	30.10
7816.6619.3	25.35	7816.7174.0	21.05	7816.7470.0	22.03	7824.3685.8	30.10
7816.6619.5	22.14	7816.7174.1	25.03	7816.7470.1	25.24	7824.3686.8	30.10
7816.6619.6	25.35	7816.7174.2	21.05	7816.7470.2	22.03	7824.3687.8	30.10
7816.6619.7	22.14	7816.7175.0	21.05	7816.7470.3	25.24	7824.3688.8	30.10
7816.6619.8	25.35	7816.7175.2	21.05	7816.7470.4	27.21	7824.3689.8	30.10
7816.6621.0	22.14	7816.7176.0	21.05	7816.7471.0	22.03	7824.3692.8	30.11
7816.6621.1	25.35	7816.7176.1	25.03	7816.7471.1	25.24	7824.3693.8	30.11
7816.6621.2	22.14	7816.7176.2	21.05	7816.7471.2	22.03	7824.3694.8	30.11
7816.6621.3	25.35	7816.7207.0	21.26	7816.7471.3	25.24	7824.3695.8	30.11
7816.6621.5	22.14	7816.7207.1	25.10	7816.7471.4	27.21	7824.3696.8	30.11
7816.6621.6	25.35	7816.7207.2	21.26	7816.7472.0	22.03	7824.3699.8	30.11
7816.6621.7	22.14	7816.7215.0	21.24	7816.7472.1	25.24	7824.3700.8	30.11
7816.6621.8	25.35	7816.7215.1	25.08	7816.7472.2	22.03	7824.3701.8	30.11
7816.6622.0	22.14	7816.7215.2	21.24	7816.7472.3	25.24	7824.3705.8	30.11
7816.6622.1	25.35	7816.7216.0	21.24	7816.7472.4	27.21	7824.3711.3	30.14
7816.6622.2	22.14	7816.7216.1	25.08	7816.7473.0	22.03	7824.3712.3	30.14
7816.6622.3	25.35	7816.7216.2	21.24	7816.7473.1	25.24	7824.3713.3	30.14
7816.6622.5	22.14	7816.7238.0	21.25	7816.7473.2	22.03	7824.3715.3	30.14
7816.6622.6	25.35	7816.7238.1	25.09	7816.7473.3	25.24	7824.3716.3	30.14
7816.6622.7	22.14	7816.7238.2	21.25	7816.7473.4	27.21	7824.3720.8	30.12
7816.6622.8	25.35	7816.7239.0	21.25	7816.7474.0	22.03	7824.3722.8	30.12
7816.6806.0	22.21	7816.7239.1	25.09	7816.7474.1	25.24	7824.3724.8	30.13
7816.6806.1	25.40	7816.7239.2	21.25	7816.7474.2	22.03	7824.3725.8	30.13
7816.6806.4	27.30	7816.7240.0	21.25	7816.7474.3	25.24	7824.3726.8	30.13
7816.6810.0	22.22	7816.7240.1	25.09	7816.7474.4	27.21	7824.3727.8	30.13
7816.6810.1	25.40	7816.7240.2	21.25	7816.7475.0	22.03	7824.3728.8	30.13
7816.6810.4	27.30	7816.7241.0	21.25	7816.7475.1	25.24	7824.3738.3	30.09

Part No. Codice	Page Pagina	Part No. Codice	Page Pagina	Part No. Codice	Page Pagina	Part No. Codice	Page Pagina
7824.3792.3	30.08	7824.5033.0	23.02	7824.5108.3	26.11	7824.5182.2	23.06
7824.3793.3	30.08	7824.5033.1	26.02	7824.5108.5	23.16	7824.5182.3	26.04
7824.3794.3	30.08	7824.5033.2	23.02	7824.5108.6	26.12	7824.5183.0	23.06
7824.3795.3	30.08	7824.5033.3	26.02	7824.5108.7	23.16	7824.5183.1	26.04
7824.3796.3	30.08	7824.5034.0	23.02	7824.5108.8	26.12	7824.5183.2	23.06
7824.3797.3	30.08	7824.5034.1	26.02	7824.5109.0	23.15	7824.5183.3	26.04
7824.3798.3	30.08	7824.5034.2	23.02	7824.5109.1	26.11	7824.5184.0	23.06
7824.3799.3	30.08	7824.5034.3	26.02	7824.5109.2	23.15	7824.5184.1	26.04
7824.3800.3	30.08	7824.5052.0	23.09	7824.5109.3	26.11	7824.5184.2	23.06
7824.3801.3	30.08	7824.5052.1	26.05	7824.5109.5	23.16	7824.5184.3	26.04
7824.3802.3	30.08	7824.5052.2	23.09	7824.5109.6	26.12	7824.5185.0	23.06
7824.3803.3	30.08	7824.5052.3	26.05	7824.5109.7	23.16	7824.5185.1	26.04
7824.3875.8	30.10	7824.5056.0	23.10	7824.5109.8	26.12	7824.5185.2	23.06
7824.3876.8	30.10	7824.5056.1	26.06	7824.5110.0	23.15	7824.5185.3	26.04
7824.3877.8	30.10	7824.5056.2	23.10	7824.5110.1	26.11	7824.5244.0	21.29
7824.3878.8	30.10	7824.5056.3	26.06	7824.5110.2	23.15	7824.5244.1	25.18
7824.3879.8	30.10	7824.5066.0	23.11	7824.5110.3	26.11	7824.5244.2	21.29
7824.3880.8	30.10	7824.5066.1	26.07	7824.5110.5	23.16	7824.5244.3	25.18
7824.3881.8	30.10	7824.5066.2	23.11	7824.5110.6	26.12	7824.5246.0	21.29
7824.3882.8	30.10	7824.5066.3	26.07	7824.5110.7	23.16	7824.5246.1	25.18
7824.3885.8	30.10	7824.5067.0	23.11	7824.5110.8	26.12	7824.5246.2	21.29
7824.3886.8	30.10	7824.5067.1	26.07	7824.5111.0	23.15	7824.5246.3	25.18
7824.3887.8	30.10	7824.5067.2	23.11	7824.5111.1	26.11	7824.5248.0	21.29
7824.3888.8	30.10	7824.5067.3	26.07	7824.5111.2	23.15	7824.5248.2	21.29
7824.3889.8	30.10	7824.5068.0	23.11	7824.5111.3	26.11	7824.5250.0	21.29
7824.3892.8	30.11	7824.5068.1	26.07	7824.5111.5	23.16	7824.5250.2	21.29
7824.3893.8	30.11	7824.5068.2	23.11	7824.5111.6	26.12	7824.5273.0	21.30
7824.3894.8	30.11	7824.5068.3	26.07	7824.5111.7	23.16	7824.5273.1	25.19
7824.3895.8	30.11	7824.5069.0	23.11	7824.5111.8	26.12	7824.5273.2	21.30
7824.3896.8	30.11	7824.5069.1	26.07	7824.5122.0	23.17	7824.5273.3	25.19
7824.3899.8	30.11	7824.5069.2	23.11	7824.5122.1	26.13	7824.5295.0	21.31
7824.3900.8	30.11	7824.5069.3	26.07	7824.5126.0	23.18	7824.5295.2	21.31
7824.3901.8	30.11	7824.5078.0	23.12	7824.5126.1	26.14	7824.5295.5	21.32
7824.3905.8	30.11	7824.5078.1	26.08	7824.5147.0	23.05	7824.5295.6	25.20
7824.3911.3	30.14	7824.5078.2	23.12	7824.5147.1	26.03	7824.5295.7	21.32
7824.3912.3	30.14	7824.5078.3	26.08	7824.5147.2	23.05	7824.5295.8	25.20
7824.3913.3	30.14	7824.5078.5	23.13	7824.5147.3	26.03	7824.5296.0	21.31
7824.3915.3	30.14	7824.5078.6	26.09	7824.5148.0	23.05	7824.5296.2	21.31
7824.3916.3	30.14	7824.5078.7	23.13	7824.5148.1	26.03	7824.5296.5	21.32
7824.3920.8	30.12	7824.5078.8	26.09	7824.5148.2	23.05	7824.5296.6	25.20
7824.3922.8	30.12	7824.5079.0	23.12	7824.5148.3	26.03	7824.5296.7	21.32
7824.3924.8	30.13	7824.5079.1	26.08	7824.5149.0	23.05	7824.5296.8	25.20
7824.3925.8	30.13	7824.5079.2	23.12	7824.5149.1	26.03	7824.5297.0	21.31
7824.3926.8	30.13	7824.5079.3	26.08	7824.5149.2	23.05	7824.5297.2	21.31
7824.3927.8	30.13	7824.5079.5	23.13	7824.5149.3	26.03	7824.5297.5	21.32
7824.3928.8	30.13	7824.5079.6	26.09	7824.5150.0	23.05	7824.5297.7	21.32
7824.3938.3	30.09	7824.5079.7	23.13	7824.5150.1	26.03	7824.5298.0	21.31
7824.3992.3	30.08	7824.5079.8	26.09	7824.5150.2	23.05	7824.5298.2	21.31
7824.3993.3	30.08	7824.5080.0	23.12	7824.5150.3	26.03	7824.5298.5	21.32
7824.3994.3	30.08	7824.5080.1	26.08	7824.5151.0	23.05	7824.5298.7	21.32
7824.3995.3	30.08	7824.5080.2	23.12	7824.5151.1	26.03	7824.5314.0	21.33
7824.3996.3	30.08	7824.5080.3	26.08	7824.5151.2	23.05	7824.5314.2	21.33
7824.3997.3	30.08	7824.5080.5	23.13	7824.5151.3	26.03	7824.5314.5	21.34
7824.3998.3	30.08	7824.5080.6	26.09	7824.5152.0	23.05	7824.5314.6	25.21
7824.3999.3	30.08	7824.5080.7	23.13	7824.5152.1	26.03	7824.5314.7	21.34
7824.4000.3	30.08	7824.5080.8	26.09	7824.5152.2	23.05	7824.5314.8	25.21
7824.4001.3	30.08	7824.5081.0	23.12	7824.5152.3	26.03	7824.5315.0	21.33
7824.4002.3	30.08	7824.5081.1	26.08	7824.5153.0	23.05	7824.5315.2	21.33
7824.4003.3	30.08	7824.5081.2	23.12	7824.5153.1	26.03	7824.5315.5	21.34
7824.5009.0	23.01	7824.5081.3	26.08	7824.5153.2	23.05	7824.5315.6	25.21
7824.5009.1	26.01	7824.5081.5	23.13	7824.5153.3	26.03	7824.5315.7	21.34
7824.5009.2	23.01	7824.5081.6	26.09	7824.5154.0	23.05	7824.5315.8	25.21
7824.5009.3	26.01	7824.5081.7	23.13	7824.5154.1	26.03	7824.5316.0	21.33
7824.5010.0	23.01	7824.5081.8	26.09	7824.5154.2	23.05	7824.5316.2	21.33
7824.5010.1	26.01	7824.5096.0	23.14	7824.5154.3	26.03	7824.5316.5	21.34
7824.5010.2	23.01	7824.5096.1	26.10	7824.5178.0	23.06	7824.5316.6	25.21
7824.5010.3	26.01	7824.5096.2	23.14	7824.5178.1	26.04	7824.5316.7	21.34
7824.5011.0	23.01	7824.5096.3	26.10	7824.5178.2	23.06	7824.5316.8	25.21
7824.5011.1	26.01	7824.5097.0	23.14	7824.5178.3	26.04	7824.5317.0	21.33
7824.5011.2	23.01	7824.5097.1	26.10	7824.5179.0	23.06	7824.5317.2	21.33
7824.5011.3	26.01	7824.5097.2	23.14	7824.5179.1	26.04	7824.5317.5	21.34
7824.5012.0	23.01	7824.5097.3	26.10	7824.5179.2	23.06	7824.5317.7	21.34
7824.5012.1	26.01	7824.5098.0	23.14	7824.5179.3	26.04	7824.5318.0	21.33
7824.5012.2	23.01	7824.5098.1	26.10	7824.5180.0	23.06	7824.5318.2	21.33
7824.5012.3	26.01	7824.5098.2	23.14	7824.5180.1	26.04	7824.5318.5	21.34
7824.5031.0	23.02	7824.5098.3	26.10	7824.5180.2	23.06	7824.5318.7	21.34
7824.5031.1	26.02	7824.5099.0	23.14	7824.5180.3	26.04	7824.5370.0	22.19
7824.5031.2	23.02	7824.5099.1	26.10	7824.5181.0	23.06	7824.5370.1	25.41
7824.5031.3	26.02	7824.5099.2	23.14	7824.5181.1	26.04	7824.5370.2	22.19
7824.5032.0	23.02	7824.5099.3	26.10	7824.5181.2	23.06	7824.5370.3	25.41
7824.5032.1	26.02	7824.5108.0	23.15	7824.5181.3	26.04	7824.5371.0	22.19
7824.5032.2	23.02	7824.5108.1	26.11	7824.5182.0	23.06	7824.5371.1	25.41
7824.5032.3	26.02	7824.5108.2	23.15	7824.5182.1	26.04	7824.5371.2	22.19

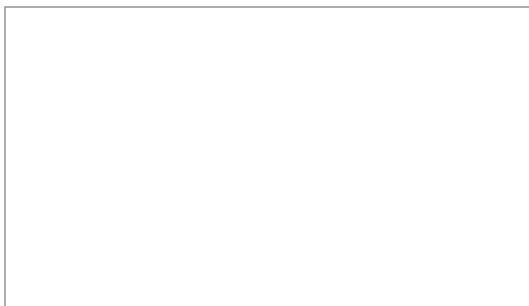
Part No. Codice	Page Pagina	Part No. Codice	Page Pagina	Part No. Codice	Page Pagina	Part No. Codice	Page Pagina
7824.5371.3	25.41	7824.6425.7B	22.24	7824.6448.2B	22.23	7824.6476.7B	22.26
7824.5372.0	22.19	7824.6425.8	25.29	7824.6448.3	25.28	7824.6476.8	25.32
7824.5372.1	25.41	7824.6425.9	27.25	7824.6448.4	27.24	7824.6476.9	27.28
7824.5372.2	22.19	7824.6426.0	22.07	7824.6448.5	22.08	7824.6483.0	21.15
7824.5372.3	25.41	7824.6426.0B	22.23	7824.6448.5B	22.24	7824.6483.0B	21.37
7824.5373.0	22.19	7824.6426.1	25.28	7824.6448.6	25.29	7824.6483.1	25.14
7824.5373.1	25.41	7824.6426.2	22.07	7824.6448.7	22.08	7824.6483.2	21.15
7824.5373.2	22.19	7824.6426.2B	22.23	7824.6448.7B	22.24	7824.6483.2B	21.37
7824.5373.3	25.41	7824.6426.3	25.28	7824.6448.8	25.29	7824.6483.5	21.16
7824.5374.0	22.19	7824.6426.4	27.24	7824.6448.9	27.25	7824.6483.5B	21.38
7824.5374.1	25.41	7824.6426.5	22.08	7824.6455.0	21.12	7824.6483.6	25.14
7824.5374.2	22.19	7824.6426.5B	22.24	7824.6455.0B	21.35	7824.6483.7	21.16
7824.5374.3	25.41	7824.6426.6	25.29	7824.6455.1	25.12	7824.6483.7B	21.38
7824.5375.0	22.19	7824.6426.7	22.08	7824.6455.2	21.12	7824.6484.0	21.15
7824.5375.1	25.41	7824.6426.7B	22.24	7824.6455.2B	21.35	7824.6484.0B	21.37
7824.5375.2	22.19	7824.6426.8	25.29	7824.6455.5	21.13	7824.6484.1	25.14
7824.5375.3	25.41	7824.6426.9	27.25	7824.6455.5B	21.36	7824.6484.2	21.15
7824.6307.0	21.01	7824.6433.0	21.12	7824.6455.6	25.12	7824.6484.2B	21.37
7824.6307.1	25.01	7824.6433.0B	21.35	7824.6455.7	21.13	7824.6484.5	21.16
7824.6307.2	21.01	7824.6433.1	25.12	7824.6455.7B	21.36	7824.6484.5B	21.38
7824.6308.0	21.01	7824.6433.2	21.12	7824.6456.0	21.12	7824.6484.6	25.14
7824.6308.1	25.01	7824.6433.2B	21.35	7824.6456.0B	21.35	7824.6484.7	21.16
7824.6308.2	21.01	7824.6433.5	21.13	7824.6456.1	25.12	7824.6484.7B	21.38
7824.6317.0	21.02	7824.6433.5B	21.36	7824.6456.2	21.12	7824.6489.0	22.10
7824.6317.1	25.02	7824.6433.6	25.12	7824.6456.2B	21.35	7824.6489.0B	22.25
7824.6317.2	21.02	7824.6433.7	21.13	7824.6456.5	21.13	7824.6489.1	25.31
7824.6318.0	21.02	7824.6433.7B	21.36	7824.6456.5B	21.36	7824.6489.2	22.10
7824.6318.1	25.02	7824.6434.0	21.12	7824.6456.6	25.12	7824.6489.2B	22.25
7824.6318.2	21.02	7824.6434.0B	21.35	7824.6456.7	21.13	7824.6489.3	25.31
7824.6326.0	22.01	7824.6434.1	25.12	7824.6456.7B	21.36	7824.6489.4	27.27
7824.6326.1	25.22	7824.6434.2	21.12	7824.6459.0	22.17	7824.6489.5	22.11
7824.6326.2	22.01	7824.6434.2B	21.35	7824.6459.1	25.38	7824.6489.5B	22.26
7824.6326.3	25.22	7824.6434.5	21.13	7824.6459.2	22.17	7824.6489.6	25.32
7824.6326.4	27.20	7824.6434.5B	21.36	7824.6459.3	25.38	7824.6489.7	22.11
7824.6327.0	22.01	7824.6434.6	25.12	7824.6459.5	22.18	7824.6489.7B	22.26
7824.6327.1	25.22	7824.6434.7	21.13	7824.6459.6	25.39	7824.6489.8	25.32
7824.6327.2	22.01	7824.6434.7B	21.36	7824.6459.7	22.18	7824.6489.9	27.28
7824.6327.3	25.22	7824.6437.0	22.17	7824.6459.8	25.39	7824.6490.0	22.10
7824.6327.4	27.20	7824.6437.1	25.38	7824.6460.0	22.17	7824.6490.0B	22.25
7824.6357.0	21.01	7824.6437.2	22.17	7824.6460.1	25.38	7824.6490.1	25.31
7824.6357.1	25.01	7824.6437.3	25.38	7824.6460.2	22.17	7824.6490.2	22.10
7824.6357.2	21.01	7824.6437.5	22.18	7824.6460.3	25.38	7824.6490.2B	22.25
7824.6358.0	21.01	7824.6437.6	25.39	7824.6460.5	22.18	7824.6490.3	25.31
7824.6358.1	25.01	7824.6437.7	22.18	7824.6460.6	25.39	7824.6490.4	27.27
7824.6358.2	21.01	7824.6437.8	25.39	7824.6460.7	22.18	7824.6490.5	22.11
7824.6367.0	21.02	7824.6438.0	22.17	7824.6460.8	25.39	7824.6490.5B	22.26
7824.6367.1	25.02	7824.6438.1	25.38	7824.6463.0	21.19	7824.6490.6	25.32
7824.6367.2	21.02	7824.6438.2	22.17	7824.6463.1	25.16	7824.6490.7	22.11
7824.6368.0	21.02	7824.6438.3	25.38	7824.6463.2	21.19	7824.6490.7B	22.26
7824.6368.1	25.02	7824.6438.5	22.18	7824.6463.5	21.20	7824.6490.8	25.32
7824.6368.2	21.02	7824.6438.6	25.39	7824.6463.6	25.16	7824.6490.9	27.28
7824.6376.0	22.01	7824.6438.7	22.18	7824.6463.7	21.20	7824.6497.0	21.15
7824.6376.1	25.22	7824.6438.8	25.39	7824.6464.0	21.19	7824.6497.0B	21.37
7824.6376.2	22.01	7824.6441.0	21.19	7824.6464.1	25.16	7824.6497.1	25.14
7824.6376.3	25.22	7824.6441.1	25.16	7824.6464.2	21.19	7824.6497.2	21.15
7824.6376.4	27.20	7824.6441.2	21.19	7824.6464.5	21.20	7824.6497.2B	21.37
7824.6377.0	22.01	7824.6441.5	21.20	7824.6464.6	25.16	7824.6497.5	21.16
7824.6377.1	25.22	7824.6441.6	25.16	7824.6464.7	21.20	7824.6497.5B	21.38
7824.6377.2	22.01	7824.6441.7	21.20	7824.6475.0	22.10	7824.6497.6	25.14
7824.6377.3	25.22	7824.6442.0	21.19	7824.6475.0B	22.25	7824.6497.7	21.16
7824.6377.4	27.20	7824.6442.1	25.16	7824.6475.1	25.31	7824.6497.7B	21.38
7824.6407.0	21.09	7824.6442.2	21.19	7824.6475.2	22.10	7824.6498.0	21.15
7824.6407.1	25.05	7824.6442.5	21.20	7824.6475.2B	22.25	7824.6498.0B	21.37
7824.6407.2	21.09	7824.6442.6	25.16	7824.6475.3	25.31	7824.6498.1	25.14
7824.6408.0	21.10	7824.6442.7	21.20	7824.6475.4	27.27	7824.6498.2	21.15
7824.6408.1	25.06	7824.6447.0	22.07	7824.6475.5	22.11	7824.6498.2B	21.37
7824.6408.2	21.10	7824.6447.0B	22.23	7824.6475.5B	22.26	7824.6498.5	21.16
7824.6414.0	22.05	7824.6447.1	25.28	7824.6475.6	25.32	7824.6498.5B	21.38
7824.6414.1	25.26	7824.6447.2	22.07	7824.6475.7	22.11	7824.6498.6	25.14
7824.6414.2	22.05	7824.6447.2B	22.23	7824.6475.7B	22.26	7824.6498.7	21.16
7824.6414.3	25.26	7824.6447.3	25.28	7824.6475.8	25.32	7824.6498.7B	21.38
7824.6414.4	27.22	7824.6447.4	27.24	7824.6475.9	27.28	7824.6509.0	21.14
7824.6425.0	22.07	7824.6447.5	22.08	7824.6476.0	22.10	7824.6509.1	25.13
7824.6425.0B	22.23	7824.6447.5B	22.24	7824.6476.0B	22.25	7824.6509.2	21.14
7824.6425.1	25.28	7824.6447.6	25.29	7824.6476.1	25.31	7824.6510.0	21.11
7824.6425.2	22.07	7824.6447.7	22.08	7824.6476.2	22.10	7824.6510.1	25.11
7824.6425.2B	22.23	7824.6447.7B	22.24	7824.6476.2B	22.25	7824.6510.2	21.11
7824.6425.3	25.28	7824.6447.8	25.29	7824.6476.3	25.31	7824.6523.0	22.09
7824.6425.4	27.24	7824.6447.9	27.25	7824.6476.4	27.27	7824.6523.1	25.30
7824.6425.5	22.08	7824.6448.0	22.07	7824.6476.5	22.11	7824.6523.2	22.09
7824.6425.5B	22.24	7824.6448.0B	22.23	7824.6476.5B	22.26	7824.6523.3	25.30
7824.6425.6	25.29	7824.6448.1	25.28	7824.6476.6	25.32	7824.6523.4	27.26
7824.6425.7	22.08	7824.6448.2	22.07	7824.6476.7	22.11	7824.6524.0	22.06

Part No. Codice	Page Pagina	Part No. Codice	Page Pagina	Part No. Codice	Page Pagina	Part No. Codice	Page Pagina
7824.6524.1	25.27	7824.6630.1	25.36	7824.7179.2	21.05	7824.7479.0	22.03
7824.6524.2	22.06	7824.6630.2	22.15	7824.7180.0	21.05	7824.7479.1	25.24
7824.6524.3	25.27	7824.6630.3	25.36	7824.7180.2	21.05	7824.7479.2	22.03
7824.6524.4	27.23	7824.6630.5	22.15	7824.7181.0	21.05	7824.7479.3	25.24
7824.6534.0	21.18	7824.6630.6	25.36	7824.7181.1	25.03	7824.7479.4	27.21
7824.6534.1	25.15	7824.6630.7	22.15	7824.7181.2	21.05	7824.7480.0	22.03
7824.6534.2	21.18	7824.6630.8	25.36	7824.7182.0	21.05	7824.7480.1	25.24
7824.6538.0	22.16	7824.6632.0	22.15	7824.7182.2	21.05	7824.7480.2	22.03
7824.6538.1	25.37	7824.6632.1	25.36	7824.7183.0	21.05	7824.7480.3	25.24
7824.6538.2	22.16	7824.6632.2	22.15	7824.7183.1	25.03	7824.7480.4	27.21
7824.6538.3	25.37	7824.6632.3	25.36	7824.7183.2	21.05	7824.7481.0	22.03
7824.6543.0	22.06	7824.6632.5	22.15	7824.7184.0	21.05	7824.7481.1	25.24
7824.6543.1	25.27	7824.6632.6	25.36	7824.7184.2	21.05	7824.7481.2	22.03
7824.6543.2	22.06	7824.6632.7	22.15	7824.7185.0	21.05	7824.7481.3	25.24
7824.6543.3	25.27	7824.6632.8	25.36	7824.7185.1	25.03	7824.7481.4	27.21
7824.6543.4	27.23	7824.6807.0	22.21	7824.7185.2	21.05	7824.7482.0	22.03
7824.6544.0	22.09	7824.6807.1	25.40	7824.7201.0	21.25	7824.7482.1	25.24
7824.6544.1	25.30	7824.6807.4	27.30	7824.7201.1	25.09	7824.7482.2	22.03
7824.6544.2	22.09	7824.6811.0	22.22	7824.7201.2	21.25	7824.7482.3	25.24
7824.6544.3	25.30	7824.6811.1	25.40	7824.7202.0	21.25	7824.7482.4	27.21
7824.6544.4	27.26	7824.6811.4	27.30	7824.7202.1	25.09	7824.7483.0	22.03
7824.6559.0	21.14	7824.6816.0	21.21	7824.7202.2	21.25	7824.7483.1	25.24
7824.6559.1	25.13	7824.6816.1	25.17	7824.7203.0	21.25	7824.7483.2	22.03
7824.6559.2	21.14	7824.6821.0	21.22	7824.7203.1	25.09	7824.7483.3	25.24
7824.6560.0	21.11	7824.6821.1	25.17	7824.7203.2	21.25	7824.7483.4	27.21
7824.6560.1	25.11	7824.6924.0	21.11	7824.7204.0	21.25	7824.7484.0	22.03
7824.6560.2	21.11	7824.6924.1	25.11	7824.7204.1	25.09	7824.7484.1	25.24
7824.6573.0	22.09	7824.6924.2	21.11	7824.7204.2	21.25	7824.7484.2	22.03
7824.6573.1	25.30	7824.6925.0	21.14	7824.7208.0	21.26	7824.7484.3	25.24
7824.6573.2	22.09	7824.6925.1	25.13	7824.7208.1	25.10	7824.7484.4	27.21
7824.6573.3	25.30	7824.6925.2	21.14	7824.7208.2	21.26	7824.7485.0	22.03
7824.6573.4	27.26	7824.6926.0	22.06	7824.7217.0	21.24	7824.7485.1	25.24
7824.6574.0	22.06	7824.6926.1	25.27	7824.7217.1	25.08	7824.7485.2	22.03
7824.6574.1	25.27	7824.6926.2	22.06	7824.7217.2	21.24	7824.7485.3	25.24
7824.6574.2	22.06	7824.6926.3	25.27	7824.7218.0	21.24	7824.7485.4	27.21
7824.6574.3	25.27	7824.6926.4	27.23	7824.7218.1	25.08	7824.7566.0	22.02
7824.6574.4	27.23	7824.6927.0	22.09	7824.7218.2	21.24	7824.7566.1	25.23
7824.6584.0	21.18	7824.6927.1	25.30	7824.7247.0	21.25	7824.7566.2	22.02
7824.6584.1	25.15	7824.6927.2	22.09	7824.7247.1	25.09	7824.7566.3	25.23
7824.6584.2	21.18	7824.6927.3	25.30	7824.7247.2	21.25	7824.7567.0	22.02
7824.6588.0	22.16	7824.6927.4	27.26	7824.7248.0	21.25	7824.7567.1	25.23
7824.6588.1	25.37	7824.7032.0	22.12	7824.7248.1	25.09	7824.7567.2	22.02
7824.6588.2	22.16	7824.7032.1	25.33	7824.7248.2	21.25	7824.7567.3	25.23
7824.6588.3	25.37	7824.7032.2	22.12	7824.7249.0	21.25	7824.7577.0	22.04
7824.6613.0	21.11	7824.7032.3	25.33	7824.7249.1	25.09	7824.7577.1	25.25
7824.6613.1	25.11	7824.7033.0	22.12	7824.7249.2	21.25	7824.7577.2	22.04
7824.6613.2	21.11	7824.7033.1	25.33	7824.7250.0	21.25	7824.7577.3	25.25
7824.6614.0	21.14	7824.7033.2	22.12	7824.7250.1	25.09	7824.7578.0	22.04
7824.6614.1	25.13	7824.7033.3	25.33	7824.7250.2	21.25	7824.7578.1	25.25
7824.6614.2	21.14	7824.7034.0	22.13	7824.7257.0	21.24	7824.7578.2	22.04
7824.6625.0	22.14	7824.7034.1	25.34	7824.7257.1	25.08	7824.7578.3	25.25
7824.6625.1	25.35	7824.7034.2	22.13	7824.7257.2	21.24	7824.7585.0	23.03
7824.6625.2	22.14	7824.7034.3	25.34	7824.7258.0	21.24	7824.7585.2	23.03
7824.6625.3	25.35	7824.7034.4	27.29	7824.7258.1	25.08	7824.7586.0	23.03
7824.6625.5	22.14	7824.7043.0	21.17	7824.7258.2	21.24	7824.7586.2	23.03
7824.6625.6	25.35	7824.7043.2	21.17	7824.7292.0	21.06	7824.7592.0	23.04
7824.6625.7	22.14	7824.7076.0	21.07	7824.7292.2	21.06	7824.7592.2	23.04
7824.6625.8	25.35	7824.7076.2	21.07	7824.7293.0	21.06	7824.7593.0	23.04
7824.6626.0	22.14	7824.7077.0	21.07	7824.7293.1	21.06	7824.7593.2	23.04
7824.6626.1	25.35	7824.7077.2	21.07	7824.7293.2	25.04	7824.7686.0	23.07
7824.6626.2	22.14	7824.7084.0	21.08	7824.7293.2	21.06	7824.7686.2	23.07
7824.6626.3	25.35	7824.7084.2	21.08	7824.7294.0	21.06	7824.7687.0	23.07
7824.6626.5	22.14	7824.7085.0	21.08	7824.7294.2	21.06	7824.7687.2	23.07
7824.6626.6	25.35	7824.7085.2	21.08	7824.7295.0	21.06	7824.7696.0	23.08
7824.6626.7	22.14	7824.7120.0	22.12	7824.7295.1	25.04	7824.7696.2	23.08
7824.6626.8	25.35	7824.7120.1	25.33	7824.7295.2	21.06	7824.7697.0	23.08
7824.6627.0	22.14	7824.7120.2	22.12	7824.7296.0	21.06	7824.7697.2	23.08
7824.6627.1	25.35	7824.7120.3	25.33	7824.7296.2	21.06	7824.7866.0	21.03
7824.6627.2	22.14	7824.7121.0	22.12	7824.7297.0	21.06	7824.7866.2	21.03
7824.6627.3	25.35	7824.7121.1	25.33	7824.7297.1	21.06	7824.7867.0	21.03
7824.6627.5	22.14	7824.7121.2	22.12	7824.7297.2	25.04	7824.7867.2	21.03
7824.6627.6	25.35	7824.7121.3	25.33	7824.7297.2	21.06	7824.7880.0	21.04
7824.6627.7	22.14	7824.7146.0	22.16	7824.7298.0	21.06	7824.7880.2	21.04
7824.6627.8	25.35	7824.7146.1	25.37	7824.7298.2	21.06	7824.7881.0	21.04
7824.6628.0	22.14	7824.7146.2	22.16	7824.7299.0	21.06	7824.7881.2	21.04
7824.6628.1	25.35	7824.7146.3	25.37	7824.7299.1	21.06	7832.4600.0	20.11
7824.6628.2	22.14	7824.7147.0	21.18	7824.7299.2	25.04	7832.4600.1	24.11
7824.6628.3	25.35	7824.7147.1	25.15	7824.7478.0	21.06	7832.4601.0	20.11
7824.6628.5	22.14	7824.7147.2	21.18	7824.7478.1	22.03	7832.4601.1	24.11
7824.6628.6	25.35	7824.7178.0	21.05	7824.7478.2	25.24	7832.4601.4	27.12
7824.6628.7	22.14	7824.7178.2	21.05	7824.7478.3	22.03	7832.4602.0	20.11
7824.6628.8	25.35	7824.7179.0	21.05	7824.7478.4	25.24	7832.4602.1	24.11
7824.6630.0	22.15	7824.7179.1	25.03			7832.4603.0	20.11

Part No. Codice	Page Pagina	Part No. Codice	Page Pagina	Part No. Codice	Page Pagina	Part No. Codice	Page Pagina
7832.4603.1	24.11	7832.4652.1	24.14	7832.5016.0	23.01	7832.6320.1	25.02
7832.4603.4	27.12	7832.4652.4	27.14	7832.5016.1	26.01	7832.6328.0	22.01
7832.4604.0	20.11	7832.4652.5	20.14	7832.5017.0	23.01	7832.6328.1	25.22
7832.4604.1	24.11	7832.4652.6	24.14	7832.5017.1	26.01	7832.6329.0	22.01
7832.4605.0	20.11	7832.4652.9	27.14	7832.5018.0	23.01	7832.6329.1	25.22
7832.4605.1	24.11	7832.4653.0	20.14	7832.5018.1	26.01	7832.6330.0	21.01
7832.4605.4	27.12	7832.4653.1	24.14	7832.5019.0	23.01	7832.6331.0	21.01
7832.4606.0	20.11	7832.4653.4	27.14	7832.5019.1	26.01	7832.6331.1	25.01
7832.4606.1	24.11	7832.4653.5	20.14	7832.5020.0	23.01	7832.6332.0	21.01
7832.4607.0	20.11	7832.4653.6	24.14	7832.5020.1	26.01	7832.6333.0	21.01
7832.4607.1	24.11	7832.4653.9	27.14	7832.5021.0	23.01	7832.6334.0	21.02
7832.4607.4	27.12	7832.4654.0	20.14	7832.5021.1	26.01	7832.6335.0	21.02
7832.4608.0	20.11	7832.4654.1	24.14	7832.5022.0	23.01	7832.6335.1	25.02
7832.4608.1	24.11	7832.4654.4	27.14	7832.5022.1	26.01	7832.6336.0	21.02
7832.4609.0	20.11	7832.4654.5	20.14	7832.5035.0	23.02	7832.6337.0	21.02
7832.4609.1	24.11	7832.4654.6	24.14	7832.5035.1	26.02	7832.6338.0	22.01
7832.4609.4	27.12	7832.4654.9	27.14	7832.5036.0	23.02	7832.6338.1	25.22
7832.4610.0	20.11	7832.4656.0	20.15	7832.5036.1	26.02	7832.6339.0	22.01
7832.4610.1	24.11	7832.4656.1	24.15	7832.5037.0	23.02	7832.6339.1	25.22
7832.4611.0	20.11	7832.4656.5	20.15	7832.5037.1	26.02	7832.6340.0	22.01
7832.4611.1	24.11	7832.4656.6	24.15	7832.5038.0	23.02	7832.6340.1	25.22
7832.4612.0	20.11	7832.4657.0	20.15	7832.5038.1	26.02	7832.6341.0	22.01
7832.4612.1	24.11	7832.4657.1	24.15	7832.5039.0	23.02	7832.6341.1	25.22
7832.4613.0	20.11	7832.4657.5	20.15	7832.5039.1	26.02	7832.6359.0	21.01
7832.4613.1	24.11	7832.4657.6	24.15	7832.5040.0	23.02	7832.6360.0	21.01
7832.4614.0	20.11	7832.4658.0	20.15	7832.5040.1	26.02	7832.6360.1	25.01
7832.4614.1	24.11	7832.4658.1	24.15	7832.5041.0	23.02	7832.6369.0	21.02
7832.4615.0	20.11	7832.4658.5	20.15	7832.5041.1	26.02	7832.6370.0	21.02
7832.4615.1	24.11	7832.4658.6	24.15	7832.5042.0	23.02	7832.6370.1	25.02
7832.4616.0	20.11	7832.4659.0	20.15	7832.5042.1	26.02	7832.6378.0	22.01
7832.4616.1	24.11	7832.4659.1	24.15	7832.5043.0	23.02	7832.6378.1	25.22
7832.4617.0	20.11	7832.4659.5	20.15	7832.5043.1	26.02	7832.6379.0	22.01
7832.4617.1	24.11	7832.4659.6	24.15	7832.5044.0	23.02	7832.6379.1	25.22
7832.4618.0	20.11	7832.4661.0	20.16	7832.5044.1	26.02	7832.6380.0	21.01
7832.4618.1	24.11	7832.4661.1	24.16	7832.5053.0	23.09	7832.6381.0	21.01
7832.4619.0	20.11	7832.4662.0	20.16	7832.5053.1	26.05	7832.6381.1	25.01
7832.4619.1	24.11	7832.4662.1	24.16	7832.5057.0	23.10	7832.6382.0	21.02
7832.4631.0	20.12	7832.4663.0	20.16	7832.5057.1	26.06	7832.6383.0	21.02
7832.4631.1	24.12	7832.4663.1	24.16	7832.5082.0	23.12	7832.6383.1	25.02
7832.4631.4	27.12	7832.4665.0	20.16	7832.5082.1	26.08	7832.6384.0	22.01
7832.4633.0	20.12	7832.4665.1	24.16	7832.5082.5	23.13	7832.6384.1	25.22
7832.4633.1	24.12	7832.4665.5	20.16	7832.5082.6	26.09	7832.6385.0	22.01
7832.4633.4	27.12	7832.4665.6	24.16	7832.5083.0	23.12	7832.6385.1	25.22
7832.4641.0	20.13	7832.4666.0	20.16	7832.5083.1	26.08	7832.6409.0	21.09
7832.4641.1	24.13	7832.4666.1	24.16	7832.5083.5	23.13	7832.6409.1	25.05
7832.4641.4	27.13	7832.4666.5	20.16	7832.5083.6	26.09	7832.6410.0	21.10
7832.4641.5	20.13	7832.4666.6	24.16	7832.5085.0	23.12	7832.6410.1	25.06
7832.4641.6	24.13	7832.4667.0	20.16	7832.5085.1	26.08	7832.6415.0	22.05
7832.4641.9	27.13	7832.4667.1	24.16	7832.5085.5	23.13	7832.6415.1	25.26
7832.4642.0	20.13	7832.4667.5	20.16	7832.5085.6	26.09	7832.6511.0	21.15
7832.4642.1	24.13	7832.4667.6	24.16	7832.5086.0	23.12	7832.6511.1	25.14
7832.4642.4	27.13	7832.4668.0	20.16	7832.5086.1	26.08	7832.6511.5	21.16
7832.4642.5	20.13	7832.4668.1	24.16	7832.5086.5	23.13	7832.6511.6	25.14
7832.4642.6	24.13	7832.4668.5	20.16	7832.5086.6	26.09	7832.6512.0	21.12
7832.4642.9	27.13	7832.4668.6	24.16	7832.5112.0	23.15	7832.6512.1	25.12
7832.4643.0	20.13	7832.4671.0	20.17	7832.5112.1	26.11	7832.6512.5	21.13
7832.4643.1	24.13	7832.4671.1	24.17	7832.5112.5	23.16	7832.6512.6	25.12
7832.4643.4	27.13	7832.4671.4	27.15	7832.5112.6	26.12	7832.6525.0	22.10
7832.4643.5	20.13	7832.4672.0	20.17	7832.5113.0	23.15	7832.6525.1	25.31
7832.4643.6	24.13	7832.4672.1	24.17	7832.5113.1	26.11	7832.6525.5	22.11
7832.4643.9	27.13	7832.4672.4	27.15	7832.5113.5	23.16	7832.6525.6	25.32
7832.4644.0	20.13	7832.4673.0	20.17	7832.5113.6	26.12	7832.6526.0	22.10
7832.4644.1	24.13	7832.4673.1	24.17	7832.5114.0	23.15	7832.6526.1	25.31
7832.4644.4	27.13	7832.4674.0	20.17	7832.5114.1	26.11	7832.6526.5	22.11
7832.4644.5	20.13	7832.4674.1	24.17	7832.5114.5	23.16	7832.6526.6	25.32
7832.4644.6	24.13	7832.4700.0	11.03	7832.5114.6	26.12	7832.6527.0	22.10
7832.4644.9	27.13	7832.4700.0	11.07	7832.5115.0	23.15	7832.6527.1	25.31
7832.4647.0	20.14	7832.4700.1	11.03	7832.5115.1	26.11	7832.6527.5	22.11
7832.4647.1	24.14	7832.4700.4	11.03	7832.5115.5	23.16	7832.6527.6	25.32
7832.4647.4	27.14	7832.4705.0	11.03	7832.5115.6	26.12	7832.6528.0	22.07
7832.4648.0	20.14	7832.4705.0	11.08	7832.5116.0	23.15	7832.6528.1	25.28
7832.4648.1	24.14	7832.4705.0	20.12	7832.5116.1	26.11	7832.6528.5	22.08
7832.4648.4	27.14	7832.4705.1	11.03	7832.5116.5	23.16	7832.6528.6	25.29
7832.4649.0	20.14	7832.4705.1	24.12	7832.5116.6	26.12	7832.6529.0	22.07
7832.4649.1	24.14	7832.4705.4	11.03	7832.5123.0	23.17	7832.6529.1	25.28
7832.4649.4	27.14	7832.4710.0	11.03	7832.5123.1	26.13	7832.6529.5	22.08
7832.4651.0	20.14	7832.4715.0	11.03	7832.5127.0	23.18	7832.6529.6	25.29
7832.4651.1	24.14	7832.5013.0	23.01	7832.5127.1	26.14	7832.6530.0	22.07
7832.4651.4	27.14	7832.5013.1	26.01	7832.6309.0	21.01	7832.6530.1	25.28
7832.4651.5	20.14	7832.5014.0	23.01	7832.6310.0	21.01	7832.6530.5	22.08
7832.4651.6	24.14	7832.5014.1	26.01	7832.6310.1	25.01	7832.6530.6	25.29
7832.4651.9	27.14	7832.5015.0	23.01	7832.6319.0	21.02	7832.6535.0	21.19
7832.4652.0	20.14	7832.5015.1	26.01	7832.6320.0	21.02	7832.6535.1	25.16

Part No. Codice	Page Pagina	Part No. Codice	Page Pagina	Part No. Codice	Page Pagina	Part No. Codice	Page Pagina
7832.6535.5	21.20	7832.7136.6	25.14	7848.6566.5	21.13	7903.4512.4	10.14
7832.6535.6	25.16	7832.7137.0	21.15	7848.6566.6	25.12	7903.4514.0	10.14
7832.6539.0	22.17	7832.7137.1	25.14	7848.6567.0	21.12	7903.4514.1	10.14
7832.6539.1	25.38	7832.7137.5	21.16	7848.6567.1	25.12	7903.4514.3	10.14
7832.6539.5	22.18	7832.7137.6	25.14	7848.6567.5	21.13	7903.4514.4	10.14
7832.6539.6	25.39	7832.7139.0	21.15	7848.6567.6	25.12	7903.4518.0	10.12
7832.6540.0	22.17	7832.7139.1	25.14	7848.6568.0	21.12	7903.4518.1	10.12
7832.6540.1	25.38	7832.7139.5	21.16	7848.6568.1	25.12	7903.4518.3	10.12
7832.6540.5	22.18	7832.7139.6	25.14	7848.6568.5	21.13	7903.4518.4	10.12
7832.6540.6	25.39	7832.7142.0	22.10	7848.6568.6	25.12	7903.4520.0	10.12
7832.6541.0	22.17	7832.7142.1	25.31	7848.7149.0	21.17	7903.4520.1	10.12
7832.6541.1	25.38	7832.7142.5	22.11	7848.7429.0	21.01	7903.4520.3	10.12
7832.6541.5	22.18	7832.7142.6	25.32	7848.7429.1	25.01	7903.4520.4	10.12
7832.6541.6	25.39	7832.7148.0	21.17	7848.7430.0	21.01	7903.6741.0	40.01
7832.6561.0	21.15	7832.7568.0	22.02	7848.7430.1	25.01	7903.6741.5	40.01
7832.6561.1	25.14	7832.7568.1	25.23	7848.7431.0	21.01	7903.6742.0	40.01
7832.6561.5	21.16	7832.7568.3	25.23	7848.7431.1	25.01	7903.6742.5	40.01
7832.6561.6	25.14	7832.7569.0	22.02	7848.7433.0	21.02	7903.6745.0	40.01
7832.6562.0	21.12	7832.7569.1	25.23	7848.7433.1	25.02	7903.6745.5	40.01
7832.6562.1	25.12	7832.7569.3	25.23	7848.7440.0	21.09	7903.6746.0	40.01
7832.6562.5	21.13	7832.7570.0	22.02	7848.7440.1	25.05	7903.6746.5	40.01
7832.6562.6	25.12	7832.7570.1	25.23	7848.7530.0	21.01	7903.7741.0	40.01
7832.6575.0	22.10	7832.7570.3	25.23	7848.7530.1	25.01	7903.7741.5	40.01
7832.6575.1	25.31	7832.7587.0	23.03	7848.7531.0	21.01	7903.7742.0	40.01
7832.6575.5	22.11	7832.7588.0	23.03	7848.7531.1	25.01	7903.7742.5	40.01
7832.6575.6	25.32	7832.7589.0	23.03	7848.7871.0	21.03	7903.7745.0	40.01
7832.6576.0	22.10	7832.7594.0	23.04	7848.7872.0	21.03	7903.7745.5	40.01
7832.6576.1	25.31	7832.7595.0	23.04	7848.7873.0	21.03	7903.7746.0	40.01
7832.6576.5	22.11	7832.7596.0	23.04	7848.7885.0	21.04	7903.7746.5	40.01
7832.6576.6	25.32	7832.7868.0	21.03	7848.7886.0	21.04	7904.6743.0	40.02
7832.6577.0	22.10	7832.7869.0	21.03	7848.7887.0	21.04	7904.6743.5	40.02
7832.6577.1	25.31	7832.7870.0	21.03	7900.0002.0	55.22	7904.6744.0	40.02
7832.6577.5	22.11	7832.7882.0	21.04	7903.3494.0	10.11	7904.6744.5	40.02
7832.6577.6	25.32	7832.7883.0	21.04	7903.3494.1	10.11	7904.6747.0	40.02
7832.6578.0	22.07	7832.7884.0	21.04	7903.3494.3	10.11	7904.6747.5	40.02
7832.6578.1	25.28	7848.6321.0	21.02	7903.3494.4	10.11	7904.6748.0	40.02
7832.6578.5	22.08	7848.6321.1	25.02	7903.3496.0	10.11	7904.6748.5	40.02
7832.6578.6	25.29	7848.6342.0	21.02	7903.3496.1	10.11	7904.7743.0	40.02
7832.6579.0	22.07	7848.6342.1	25.02	7903.3496.3	10.11	7904.7743.5	40.02
7832.6579.1	25.28	7848.6371.0	21.02	7903.3496.4	10.11	7904.7744.0	40.02
7832.6579.5	22.08	7848.6371.1	25.02	7903.3498.0	10.13	7904.7744.5	40.02
7832.6579.6	25.29	7848.6386.0	21.02	7903.3498.1	10.13	7904.7747.0	40.02
7832.6580.0	22.07	7848.6386.1	25.02	7903.3498.3	10.13	7904.7747.5	40.02
7832.6580.1	25.28	7848.6411.0	21.10	7903.3498.4	10.13	7904.7748.0	40.02
7832.6580.5	22.08	7848.6411.1	25.06	7903.3510.0	10.13	7904.7748.5	40.02
7832.6580.6	25.29	7848.6513.0	21.15	7903.3510.1	10.13	7906.6749.0	40.03
7832.6585.0	21.19	7848.6513.1	25.14	7903.3510.3	10.13	7906.6749.5	40.03
7832.6585.1	25.16	7848.6513.5	21.16	7903.3510.4	10.13	7906.6754.0	40.03
7832.6585.5	21.20	7848.6513.6	25.14	7903.3512.0	10.14	7906.6754.5	40.03
7832.6585.6	25.16	7848.6514.0	21.15	7903.3512.1	10.14	7906.6759.0	40.03
7832.6589.0	22.17	7848.6514.1	25.14	7903.3512.3	10.14	7906.6759.5	40.03
7832.6589.1	25.38	7848.6514.5	21.16	7903.3512.4	10.14	7906.6764.0	40.03
7832.6589.5	22.18	7848.6514.6	25.14	7903.3514.0	10.14	7906.6764.5	40.03
7832.6589.6	25.39	7848.6515.0	21.15	7903.3514.1	10.14	7906.7749.0	40.03
7832.6590.0	22.17	7848.6515.1	25.14	7903.3514.3	10.14	7906.7749.5	40.03
7832.6590.1	25.38	7848.6515.5	21.16	7903.3514.4	10.14	7906.7754.0	40.03
7832.6590.5	22.18	7848.6515.6	25.14	7903.3518.0	10.12	7906.7754.5	40.03
7832.6590.6	25.39	7848.6516.0	21.12	7903.3518.1	10.12	7906.7759.0	40.03
7832.6591.0	22.17	7848.6516.1	25.12	7903.3518.3	10.12	7906.7759.5	40.03
7832.6591.1	25.38	7848.6516.5	21.13	7903.3518.4	10.12	7906.7764.0	40.03
7832.6591.5	22.18	7848.6516.6	25.12	7903.3520.0	10.12	7906.7764.5	40.03
7832.6591.6	25.39	7848.6517.0	21.12	7903.3520.1	10.12	7908.6640.1	18.02
7832.6808.0	22.21	7848.6517.1	25.12	7903.3520.3	10.12	7908.6643.1	18.02
7832.6808.1	25.40	7848.6517.5	21.13	7903.3520.4	10.12	7908.6646.1	18.01
7832.6812.0	22.22	7848.6517.6	25.12	7903.4494.0	10.11	7908.6648.1	18.01
7832.6812.1	25.40	7848.6518.0	21.12	7903.4494.1	10.11	7908.6663.1	18.04
7832.6817.0	21.21	7848.6518.1	25.12	7903.4494.3	10.11	7908.6664.1	18.04
7832.6817.1	25.17	7848.6518.5	21.13	7903.4494.4	10.11	7908.6667.1	18.03
7832.6822.0	21.22	7848.6518.6	25.12	7903.4496.0	10.11	7908.6668.1	18.03
7832.6822.1	25.17	7848.6563.0	21.15	7903.4496.1	10.11	7910.6750.0	40.04
7832.7048.0	22.13	7848.6563.1	25.14	7903.4496.3	10.11	7910.6750.5	40.04
7832.7048.1	25.34	7848.6563.5	21.16	7903.4496.4	10.11	7910.6755.0	40.04
7832.7134.0	21.12	7848.6563.6	25.14	7903.4498.0	10.13	7910.6755.5	40.04
7832.7134.1	25.12	7848.6564.0	21.15	7903.4498.1	10.13	7910.6760.0	40.04
7832.7134.5	21.13	7848.6564.1	25.14	7903.4498.3	10.13	7910.6760.5	40.04
7832.7134.6	25.12	7848.6564.5	21.16	7903.4498.4	10.13	7910.6765.0	40.04
7832.7135.0	21.12	7848.6564.6	25.14	7903.4510.0	10.13	7910.6765.5	40.04
7832.7135.1	25.12	7848.6565.0	21.15	7903.4510.1	10.13	7910.7750.0	40.04
7832.7135.5	21.13	7848.6565.1	25.14	7903.4510.3	10.13	7910.7750.5	40.04
7832.7135.6	25.12	7848.6565.5	21.16	7903.4510.4	10.13	7910.7755.0	40.04
7832.7136.0	21.15	7848.6565.6	25.14	7903.4512.0	10.14	7910.7755.5	40.04
7832.7136.1	25.14	7848.6566.0	21.12	7903.4512.1	10.14	7910.7760.0	40.04
7832.7136.5	21.16	7848.6566.1	25.12	7903.4512.3	10.14	7910.7760.5	40.04

Part No. Codice	Page Pagina	Part No. Codice	Page Pagina	Part No. Codice	Page Pagina	Part No. Codice	Page Pagina
7910.7765.0	40.04	7932.3031.0	11.07	7942.3312.0	09.07	8500.3698.0	60.09
7910.7765.5	40.04	7932.3033.0	11.07	7942.3312.1	09.07	8500.3698.0	60.09
7913.3494.0	10.11	7932.3035.0	11.07	7942.3313.0	09.21	8500.6251.0	60.02
7913.3494.1	10.11	7932.3036.0	11.07	7942.3313.1	09.21	8500.7909.0	60.08
7913.3494.3	10.11	7932.4001.0	11.08	7942.3314.0	09.22	8500.7911.0	60.08
7913.3494.4	10.11	7932.4002.0	11.08	7942.3314.1	09.22	8500.7912.0	60.09
7913.3496.0	10.11	7932.4003.0	11.08	7942.3316.0	09.09	8500.7915.0	60.02
7913.3496.1	10.11	7932.4004.0	11.08	7942.3316.1	09.09	8500.7917.0	60.02
7913.3496.3	10.11	7932.4005.0	11.08	7942.3320.0	09.06	8500.7921.0	60.01
7913.3496.4	10.11	7932.4006.0	11.08	7942.3320.1	09.06	8500.7925.0	60.01
7913.3498.0	10.13	7932.4007.0	11.08	7942.3322.0	09.08	8500.7926.0	60.01
7913.3498.1	10.13	7932.4008.0	11.08	7942.3322.1	09.08	8500.7927.0	60.01
7913.3498.3	10.13	7932.4013.0	11.08	7942.3324.0	09.10	8500.7930.0	60.02
7913.3498.4	10.13	7932.4020.0	11.08	7942.3324.1	09.10	8500.7931.0	60.01
7913.3510.0	10.13	7932.4021.0	11.08	7942.3410.0	09.05	8500.7932.0	60.01
7913.3510.1	10.13	7932.4022.0	11.08	7942.3410.1	09.05	8500.7940.0	60.06
7913.3510.3	10.13	7932.4023.0	11.08	7942.3412.0	09.07	8500.7941.0	60.06
7913.3510.4	10.13	7932.4024.0	11.08	7942.3412.1	09.07	8500.7942.0	60.06
7913.3512.0	10.14	7932.4025.0	11.08	7942.3420.0	09.06	8500.7943.0	60.06
7913.3512.1	10.14	7932.4027.0	11.08	7942.3420.1	09.06	8500.7945.0	60.06
7913.3512.3	10.14	7932.4029.0	11.08	7942.3422.0	09.08	8500.7948.0	60.06
7913.3512.4	10.14	7932.4031.0	11.08	7942.3422.1	09.08	8500.7956.0	60.05
7913.3514.0	10.14	7932.4033.0	11.08	7980.3310.0	09.05	8500.7957.0	60.05
7913.3514.1	10.14	7932.4035.0	11.08	7980.3310.1	09.05	8500.7958.0	60.05
7913.3514.3	10.14	7932.4036.0	11.08	7980.3312.0	09.07	8500.7960.0	60.03
7913.3514.4	10.14	7932.6753.0	40.07	7980.3312.1	09.07	8500.7962.0	60.03
7913.3518.0	10.12	7932.6753.5	40.07	7980.3313.0	09.21	8500.7963.0	60.03
7913.3518.1	10.12	7932.6758.0	40.07	7980.3313.1	09.21	8500.7964.0	60.03
7913.3518.3	10.12	7932.6758.5	40.07	7980.3314.0	09.22	8500.7965.0	60.03
7913.3518.4	10.12	7932.6763.0	40.07	7980.3314.1	09.22	8500.7966.0	60.03
7913.3520.0	10.12	7932.6763.5	40.07	7980.3316.0	09.09	8500.7967.0	60.03
7913.3520.1	10.12	7932.6768.0	40.07	7980.3316.1	09.09	8500.7970.0	60.07
7913.3520.3	10.12	7932.6768.5	40.07	7980.3320.0	09.06	8500.7971.0	60.07
7913.3520.4	10.12	7932.7753.0	40.07	7980.3320.1	09.06	8500.7972.0	60.05
7916.6751.0	40.05	7932.7753.5	40.07	7980.3322.0	09.08	8500.7973.0	60.05
7916.6751.5	40.05	7932.7758.0	40.07	7980.3322.1	09.08	8500.7974.0	60.05
7916.6756.0	40.05	7932.7758.5	40.07	7980.3324.0	09.10	8500.7979.0	60.09
7916.6756.5	40.05	7932.7763.0	40.07	7980.3324.1	09.10	8500.7981.0	60.09
7916.6761.0	40.05	7932.7763.5	40.07	7980.3410.0	09.05	8500.7990.0	60.04
7916.6761.5	40.05	7932.7768.0	40.07	7980.3410.1	09.05	8500.7991.0	60.04
7916.6766.0	40.05	7932.7768.5	40.07	7980.3412.0	09.07	8500.7992.0	60.04
7916.6766.5	40.05	7940.3310.0	09.05	7980.3412.1	09.07	8500.7993.0	60.04
7916.7751.0	40.05	7940.3310.1	09.05	7980.3420.0	09.06	8500.7994.0	60.04
7916.7751.5	40.05	7940.3312.0	09.07	7980.3420.1	09.06	8500.7995.0	60.04
7916.7756.0	40.05	7940.3312.1	09.07	7980.3422.0	09.08	8500.7996.0	60.04
7916.7756.5	40.05	7940.3313.0	09.21	7980.3422.1	09.08	8500.7997.0	60.04
7916.7761.0	40.05	7940.3313.1	09.21	7982.3310.0	09.05	8500.7998.0	60.04
7916.7761.5	40.05	7940.3314.0	09.22	7982.3310.1	09.05	8500.7998.0	60.09
7916.7766.0	40.05	7940.3314.1	09.22	7982.3312.0	09.07	8500.7999.0	60.04
7916.7766.5	40.05	7940.3316.0	09.09	7982.3312.1	09.07	8500.8000.0	60.04
7924.6752.0	40.06	7940.3316.1	09.09	7982.3313.0	09.21		
7924.6752.5	40.06	7940.3320.0	09.06	7982.3313.1	09.21		
7924.6757.0	40.06	7940.3320.1	09.06	7982.3314.0	09.22		
7924.6757.5	40.06	7940.3322.0	09.08	7982.3314.1	09.22		
7924.6762.0	40.06	7940.3322.1	09.08	7982.3316.0	09.09		
7924.6762.5	40.06	7940.3324.0	09.10	7982.3316.1	09.09		
7924.6767.0	40.06	7940.3324.1	09.10	7982.3320.0	09.06		
7924.6767.5	40.06	7940.3382.0	09.05	7982.3320.1	09.06		
7924.7752.0	40.06	7940.3382.1	09.05	7982.3322.0	09.08		
7924.7752.5	40.06	7940.3384.0	09.06	7982.3322.1	09.08		
7924.7757.0	40.06	7940.3384.1	09.06	7982.3324.0	09.10		
7924.7757.5	40.06	7940.3385.0	09.07	7982.3324.1	09.10		
7924.7762.0	40.06	7940.3385.1	09.07	7982.3410.0	09.05		
7924.7762.5	40.06	7940.3386.0	09.08	7982.3410.1	09.05		
7924.7767.0	40.06	7940.3386.1	09.08	7982.3412.0	09.07		
7924.7767.5	40.06	7940.3410.0	09.05	7982.3412.1	09.07		
7932.3001.0	11.07	7940.3410.1	09.05	7982.3420.0	09.06		
7932.3002.0	11.07	7940.3412.0	09.07	7982.3420.1	09.06		
7932.3003.0	11.07	7940.3412.1	09.07	7982.3422.0	09.08		
7932.3004.0	11.07	7940.3420.0	09.06	7982.3422.1	09.08		
7932.3005.0	11.07	7940.3420.1	09.06	8001.5000.0	81.00		
7932.3006.0	11.07	7940.3422.0	09.08	8001.5102.0	81.00		
7932.3007.0	11.07	7940.3422.1	09.08	8500.0801.0	60.10		
7932.3008.0	11.07	7940.3482.0	09.05	8500.0804.0	60.10		
7932.3013.0	11.07	7940.3482.1	09.05	8500.0807.0	60.10		
7932.3020.0	11.07	7940.3484.0	09.06	8500.0811.0	60.10		
7932.3021.0	11.07	7940.3484.1	09.06	8500.0813.0	60.10		
7932.3022.0	11.07	7940.3485.0	09.07	8500.0820.0	60.09		
7932.3023.0	11.07	7940.3485.1	09.07	8500.0820.0	60.09		
7932.3024.0	11.07	7940.3486.0	09.08	8500.0821.0	60.09		
7932.3025.0	11.07	7940.3486.1	09.08	8500.0822.0	60.08		
7932.3027.0	11.07	7942.3310.0	09.05	8500.0827.0	60.10		
7932.3029.0	11.07	7942.3310.1	09.05	8500.0840.0	60.10		



Created and printed in Italy

Get customized insights at: www.molex.com/product/gwconnect.html

molex[®]
one company › a world of innovation