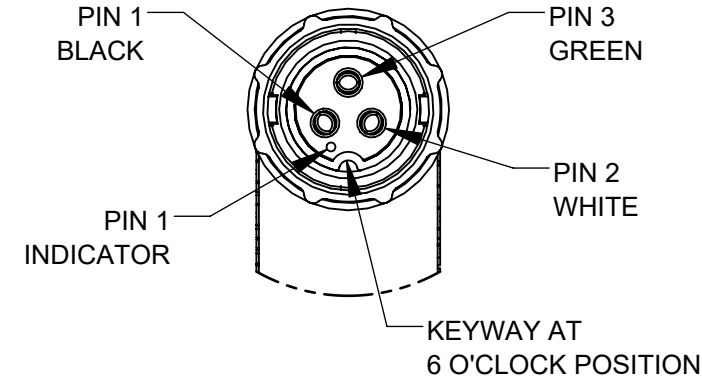


**CARAEN3C2F1607990**  
2-PIN FEMALE

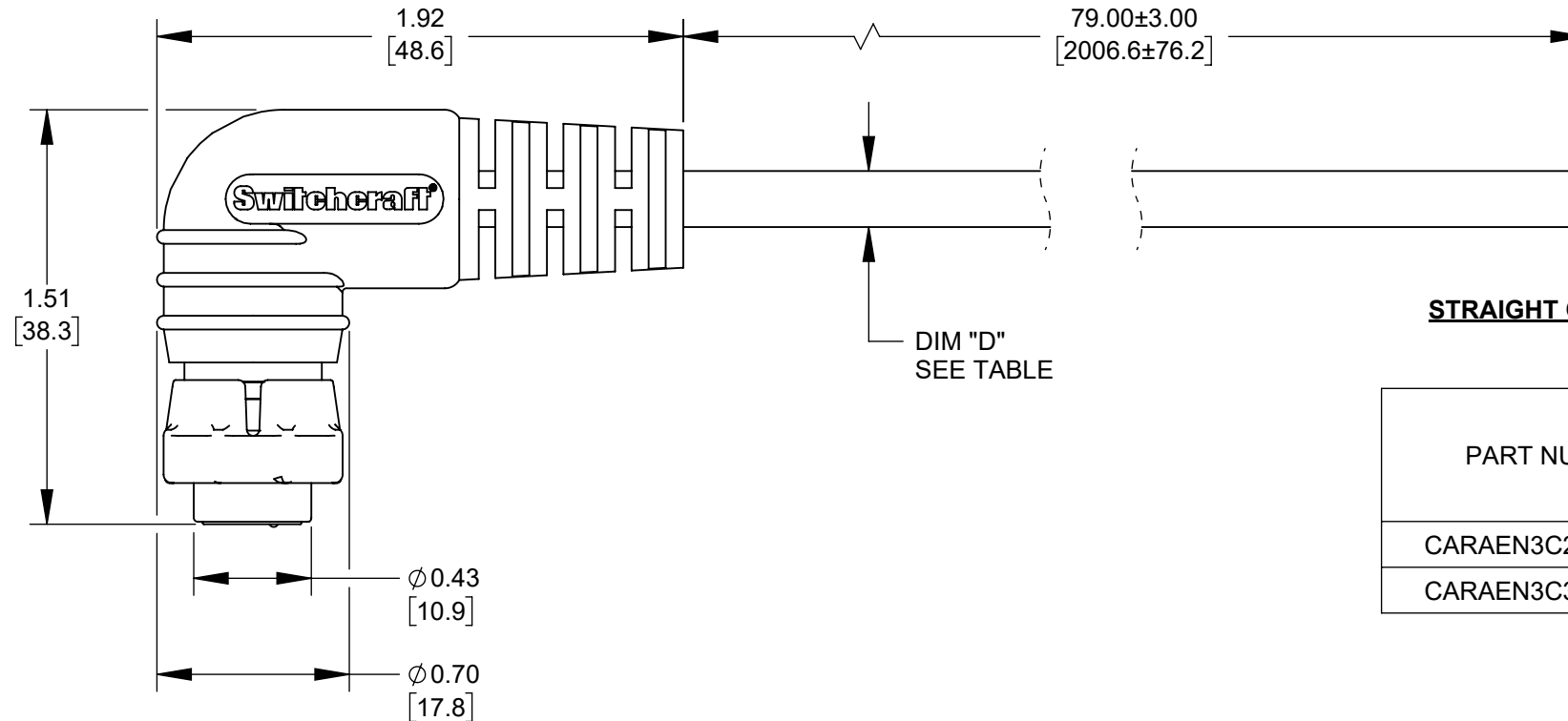
2 CONDUCTOR  
16 AWG CABLE  
BLACK PVC



**CARAEN3C3F1607990**  
3-PIN FEMALE

3 CONDUCTOR  
16 AWG CABLE  
BLACK PVC

**RIGHT ANGLE OVERMOLD**  
**FEMALE EN3C - 16GA CONTACTS**  
OVERMOLD - THERMOPLASTIC, BLACK  
CONNECTOR - THERMOPLASTIC, BLACK  
CONTACTS - COPPER ALLOY, GOLD PLATED



PART NUMBER	NUMBER OF CONTACTS	DIM "D" CABLE DIAMETER
CARAEN3C2F1607990	2	∅0.204 [5.18] REF
CARAEN3C3F1607990	3	∅0.275 [6.99] REF

**CUSTOMER DRAWING**

**NOTES:**

1. THIS PRODUCT IS RoHS COMPLIANT.

REV	ECO NUMBER	DATE	BY	APVD
A	28435	10-14-21	PC	TJK
REVISIONS				

UNLESS OTHERWISE SPECIFIED

- 1. ALL DIMENSIONS IN INCHES [mm]
- TWO PLACE DECIMALS ±0.02 [0.5]
- THREE PLACE DECIMALS ±0.005 [0.13]

DO NOT SCALE DRAWING

THIS DRAWING DESCRIBES A DESIGN CONSIDERED PROPRIETARY IN NATURE, DEVELOPED AND MANUFACTURED BY SWITCHCRAFT INC. AND IS RELEASED ON A CONFIDENTIAL BASIS FOR IDENTIFICATION PURPOSES ONLY.

SIZE	WIDTH	MULT	LBS/M	TEMPER
FINISH			MATERIAL	
SPEC No.			SPEC No.	
FIRST USED ON		SCALE		
		3:2		
DATE DRAWN	BY	CHKD	APVD	
8-27-21	CC	CC	TJK	
		8-27-21	10-7-21	
NAME			PART No.	
FEMALE EN3C TO OVERMOLDED 16 AWG CABLE, SCO			CARAEN3C_F1607990	
				REV
				A



SHEET 1 OF 1