



W83782D/W83782G

**WINBOND
H/W MONITORING IC**



Table of Contents-

1.	GENERAL DESCRIPTION	1
2.	FEATURES	1
3.	KEY SPECIFICATIONS	2
4.	PIN CONFIGURATION	3
5.	PIN DESCRIPTION.....	3
6.	FUNCTIONAL DESCRIPTION.....	6
6.1	General Description	6
6.2	Access Interface	6
6.3	Analog Inputs	11
6.4	FAN Speed Count and FAN Speed Control	14
6.5	Temperature Measurement Machine.....	16
7.	REGISTERS AND RAM.....	19
7.1	Address Register (Port x5h)	19
7.2	Data Register (Port x6h).....	20
7.3	Configuration Register – Index 40h	21
7.4	Interrupt Status Register 1 – Index 41h	21
7.5	Interrupt Status Register 2 – Index 42h	22
7.6	SMI# Mask Register 1 – Index 43h.....	22
7.7	SMI# Mask Register 2 – Index 44h.....	23
7.8	Reserved Register – Index 45h	23
7.9	Chassis Clear Register – Index 46h	23
7.10	VID/Fan Divisor Register – Index 47h	24
7.11	Serial Bus Address Register – Index 48h.....	24
7.12	Value RAM – Index 20h- 3Fh or 60h - 7Fh (auto-increment)	25
7.13	Voltage ID (VID4) & Device ID – Index 49h.....	26
7.14	Temperature 2 and Temperature 3 Serial Bus Address Register – Index 4Ah.....	27
7.15	Pin Control Register – Index4Bh	27
7.16	IRQ#/OVT# Property Select – Index 4Ch.....	28
7.17	FAN IN/OUT and BEEP/GPO# Control Register – Index 4Dh	29
7.18	Register 50h ~ 5Fh Bank Select – Index 4Eh.....	30
7.19	Winbond Vendor ID – Index 4Fh	30
7.20	Winbond Test Register – Index 50h - 55h (<i>Bank 0</i>)	30
7.21	BEEP Control Register 1 – Index 56h (<i>Bank 0</i>).....	31
7.22	BEEP Control Register 2 – Index 57h (<i>Bank 0</i>).....	31
7.23	Chip ID – Index 58h (<i>Bank 0</i>)	32
7.24	Diode Selection Register – Index 59h (<i>Bank 0</i>).....	32
7.25	PWMOUT2 Control – Index 5Ah (<i>Bank 0</i>).....	33
7.26	PWMOUT1 Control – Index 5Bh (<i>Bank 0</i>).....	33



7.27	PWMOUT1/2 Clock Select – Index 5Ch (<i>Bank 0</i>)	34
7.28	VBAT Monitor Control Register – Index 5Dh (<i>Bank 0</i>)	34
7.29	PWMOUT3 Control – Index 5Eh (<i>Bank 0</i>)	35
7.30	PWMOUT4 Control – Index 5Fh (<i>Bank 0</i>)	36
7.31	Temperature Sensor 2 Temperature (High Byte) Register – Index 50h (<i>Bank 1</i>)	36
7.32	Temperature Sensor 2 Temperature (Low Byte) Register – Index 51h (<i>Bank 1</i>)	37
7.33	Temperature Sensor 2 Configuration Register – Index 52h (<i>Bank 1</i>)	37
7.34	Temperature Sensor 2 Hysteresis (High Byte) Register – Index 53h (<i>Bank 1</i>)	38
7.35	Temperature Sensor 2 Hysteresis (Low Byte) Register – Index 54h (<i>Bank 1</i>)	38
7.36	Temperature Sensor 2 Over-temperature (High Byte) Register – Index 55h (<i>Bank 1</i>)	38
7.37	Temperature Sensor 2 Over-temperature (Low Byte) Register – Index 56h (<i>Bank 1</i>)	39
7.38	Temperature Sensor 3 Temperature (High Byte) Register – Index 50h (<i>Bank 2</i>)	39
7.39	Temperature Sensor 3 Temperature (Low Byte) Register – Index 51h (<i>Bank 2</i>)	40
7.40	Temperature Sensor 3 Configuration Register – Index 52h (<i>Bank 2</i>)	40
7.41	Temperature Sensor 3 Hysteresis (High Byte) Register – Index 53h (<i>Bank 2</i>)	41
7.42	Temperature Sensor 3 Hysteresis (Low Byte) Register – Index 54h (<i>Bank 2</i>)	41
7.43	Temperature Sensor 3 Over-temperature (High Byte) Register – Index 55h (<i>Bank 2</i>)	42
7.44	Temperature Sensor 3 Over-temperature (Low Byte) Register – Index 56h (<i>Bank 2</i>)	42
7.45	Interrupt Status Register 3 – Index 50h (<i>Bank 4</i>)	43
7.46	SMI# Mask Register 3 – Index 51h (<i>Bank 4</i>)	43
7.47	BEEP Control Register 3 – Index 53h (<i>Bank 4</i>)	44
7.48	Reserved Register – Index 54h-58h	44
7.49	Real Time Hardware Status Register I – Index 59h (<i>Bank 4</i>)	44
7.50	Real Time Hardware Status Register II – Index 5Ah (<i>Bank 4</i>)	45
7.51	Real Time Hardware Status Register III – Index 5Bh (<i>Bank 4</i>)	46
7.52	PWMOUT3/4 Clock Select – Index 5Ch (<i>Bank 4</i>)	46
7.53	Value RAM 2 – Index 50h - 5Ah (auto-increment) (<i>Bank 5</i>)	47
7.54	Winbond Test Register – Index 50h (<i>Bank 6</i>)	47
8.	ELECTRICAL CHARACTERISTICS	48
8.1	Absolute Maximum Ratings	48
8.2	DC Characteristics	48
8.3	AC Characteristics	50
9.	HOW TO READ THE TOP MARKING	53
10.	PACKAGE DIMENTIONS	54
11.	APPLICATION CIRCUITS	55



1. GENERAL DESCRIPTION

W83782D/G is an evolving version of W83781D/G -- Winbond's most popular hardware status monitoring IC. The W83782D/G can be used to monitor several critical hardware parameters of the system, including power supply voltages, fan speeds, and temperatures, which are very important for a high-end computer system to work stable and properly. W83782D/G provides both ISA and I²C™ serial bus interface.

An 8-bit analog-to-digital converter (ADC) was built inside W83782D/G. The W83782D/G can simultaneously monitor 9 analog voltage inputs, 2 fan tachometer inputs, 3 remote temperature, one case-open detection signal. The remote temperature sensing can be performed by thermistors, or 2N3904 NPN-type transistors, or directly from Intel™ Deschutes CPU thermal diode output. Also the W83782D/G provides 4 PWM (pulse width modulation) outputs for the fan speed control; beep tone output for warning; SMI#, OVT#, GPO# signals for system protection events.

Through the application software or BIOS, the users can read all the monitored parameters of system from time to time. And a pop-up warning can be also activated when the monitored item was out of the proper/preset range. The application software could be Winbond's Hardware Doctor™, or Intel™ LDCM (LanDesk Client Management), or other management application software. Also the users can set up the upper and lower limits (alarm thresholds) of these monitored parameters and to activate one programmable and maskable interrupts. An optional beep tone could be used as warning signal when the monitored parameters are out of the preset range.

Additionally, 5 VID inputs are provided to read the VID of CPU (i.e. Pentium™ II) if applicable. This is to provide the Vcore voltage correction automatically. Also W83782D/G uniquely provides an optional feature: early stage (before BIOS was loaded) beep warning. This is to detect if the fatal elements present --- Vcore or +3.3V voltage fail, and the system can not be booted up. Also there are 3 specific pins to provide selectable address setting for application of multiple devices (up to 8 devices) wired through I²C™ interface.

2. FEATURES

Monitoring Items

- 3 thermal inputs from remote thermistors or 2N3904 NPN-type transistors or Pentium™ II (Deschutes) thermal diode output
- 9 voltage inputs
 - Typical for Vcore, +3.3V, +12V, -12V, +5V, -5V, +5V Vsb, Vbat, and one reserved
- 3 fan speed monitoring inputs
- Case open detection input
- WATCHDOG comparison of all monitored values
- Programmable hysteresis and setting points (alarm thresholds) for all monitored items

Actions Enabling

- Beep tone warning
- 4 PWM (pulse width modulation) outputs for fan speed control (3 are MUX optional)
 - Total up to 3 sets of fan speed monitoring and controlling
- Issue SMI#, OVT#, GPO# signals to activate system protection
- Warning signal pop-up in application software

W83782D/W83782G



General

- ISA and I²C™ serial bus interface
- 5 VID input pins for CUP Vcore identification (for Pentium™ II)
- Initial power fault beep (for +3.3V, Vcore)
- Master reset input to W83782D/G
- Independent power plane of digital Vcc and analog Vcc (inputs to IC)
- 3 pins (IA0, IA1, IA2) to provide selectable address setting for application of multiple devices (up to 8 devices) wired through I²C™ interface
- Intel™ LDCM (DMI driver 2.0) support
- Acer™ ADM (DMI driver 2.0) support
- Winbond hardware monitoring application software (Hardware Doctor™) support, for both Windows 95/98 and Windows NT 4.0/5.0
- Input clock rate optional for 24, 48, 14.318 MHz
- 5V Vcc operation

Package

- 48-pin LQFP

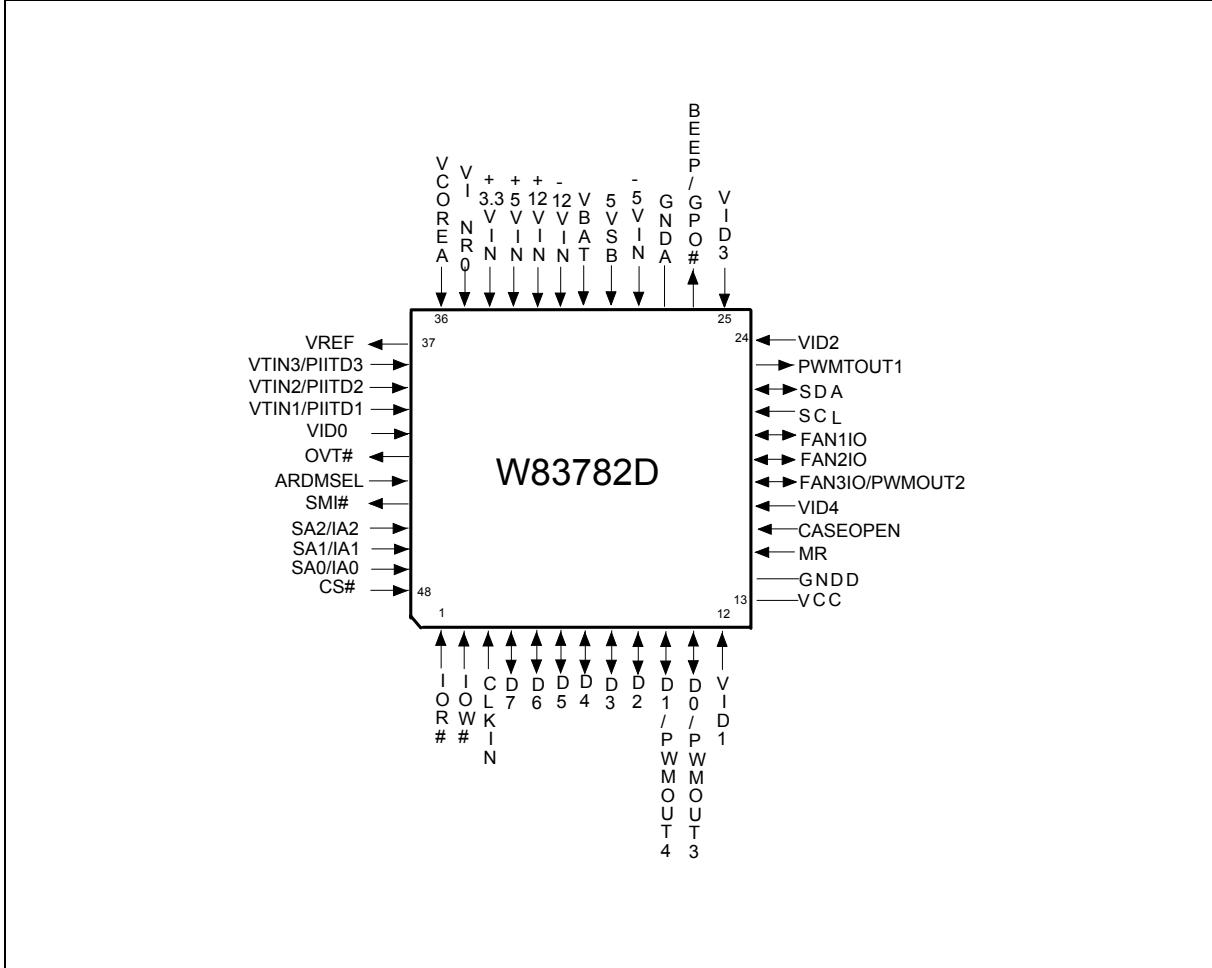
3. KEY SPECIFICATIONS

- Voltage monitoring accuracy $\pm 1\%$ (Max.)
- Monitoring Temperature Range and Accuracy
– 40°C to +120°C $\pm 3^\circ\text{C}$ (Max.)
- Supply Voltage 5V
- Operating Supply Current 5 mA typ.
- ADC Resolution 8 Bits

W83782D/W83782G



4. PIN CONFIGURATION



5. PIN DESCRIPTION

- I/O_{12t} - TTL level bi-directional pin with 12 mA source-sink capability
- I/O_{12ts} - TTL level and schmitt trigger
- OUT₁₂ - Output pin with 12 mA source-sink capability
- AOUT - Output pin(Analog)
- OD₁₂ - Open-drain output pin with 12 mA sink capability
- IN_t - TTL level input pin
- IN_{ts} - TTL level input pin and schmitt trigger
- AIN - Input pin(Analog)

W83782D/W83782G



PIN NAME	PIN NO.	TYPE	DESCRIPTION
IOR#	1	IN _{ts}	An active low standard ISA bus I/O Read Control.
IOW#	2	IN _{ts}	An active low standard ISA bus I/O Write Control.
CLKIN	3	IN _t	System clock input. Can select 48MHz or 24MHz or 14.318MHz. The default is 24MHz.
D7~D2	4-9	I/O _{12t}	Bi-directional ISA bus Data lines. D0 corresponds to the low order bit, with D7 the high order bit. These pins are activated if pin ADRMSEL=0.
D1 / PWMOUT4	10	I/O _{12t} OUT ₁₂	Bi-directional ISA bus Data lines. This pin is activated if pin ADRMSEL=0. / Fan speed control PWM output. This pin is activated if pin ADRMSEL=1.
D0 / PWMOUT3	11	I/O _{12t} OUT ₁₂	Bi-directional ISA bus Data lines. This pin is activated if pin ADRMSEL=0. / Fan speed control PWM output. This pin is activated if pin ADRMSEL=1.
VID1	12	IN _t	Voltage Supply readouts from P6. This value is read in the VID/Fan Divisor Register.
V _{CC} (+5V)	13	POWER	+5V V _{CC} power. Bypass with the parallel combination of 10μF (electrolytic or tantalum) and 0.1μF (ceramic) bypass capacitors.
GNDD	14	DGROUND	Internally connected to all digital circuitry.
MR	15	IN _{ts}	Master reset input.
CASEOPEN#	16	IN _t	CASE OPEN detection. An active low input from an external device when case is opened. This signal can be latched if pin VBAT is connect to battery, even W83782D/G is power off.
VID4	17	IN _t	Voltage Supply readouts from P6. This value is read in the bit <0> of Device ID Register.
FAN3IO/ PWMOUT2	18	I/O _{12t}	0V to +5V amplitude fan tachometer input. / Fan speed control PWM output.
FAN2IO- FAN1IO	19-20	I/O _{12t}	0V to +5V amplitude fan tachometer input / Fan on-off control output. These multi-functional pins can be programmable input or output.
SCL	21	IN _{ts}	Serial Bus Clock.
SDA	22	OD ₁₂	Serial Bus bi-directional Data.
PWMOUT1	23	OUT ₁₂	Fan speed control PWM output.



Pin Description, continued

PIN NAME	PIN NO.	TYPE	DESCRIPTION
VID2	24	IN _t	Voltage Supply readouts from P6. This value is read in the VID/Fan Divisor Register.
VID3	25	IN _t	Voltage Supply readouts from P6. This value is read in the VID/Fan Divisor Register.
BEEP/GPO#	26	OD ₁₂	Beep (Default) / General purpose output This multi-functional pin is programmable.
GND A	27	AGROU ND	Internally connected to all analog circuitry. The ground reference for all analog inputs.
-5VIN	28	AIN	0V to 4.096V FSR Analog Inputs.
5VSB	29	AIN	0V to 4.096V FSR Analog Inputs.
VBAT	30	AIN	0V to 4.096V FSR Analog Inputs. (This pin should be connected to 3V BATTERY.)
-12VIN	31	AIN	0V to 4.096V FSR Analog Inputs.
+12VIN	32	AIN	0V to 4.096V FSR Analog Inputs.
+5VIN	33	AIN	This pin is Analog Vcc and connects internal monitor channel IN3 with fixed scale.
+3.3VIN	34	AIN	0V to 4.096V FSR Analog Inputs.
VINR0	35	AIN	0V to 4.096V FSR Analog Inputs.
VCOREA	36	AIN	0V to 4.096V FSR Analog Inputs.
VREF	37	AOUT	Reference Voltage.
VTIN3 / PIITD3	38	AIN	Thermistor 3 terminal input.(Default) / Pentium™ II diode 3 input. This multi-functional pin is programmable.
VTIN2 / PIITD2	39	AIN	Thermistor 2 terminal input. (Default)/ Pentium™ II diode 2 input. This multi-functional pin is programmable.
VTIN1 / PIITD1	40	AIN	Thermistor 1 terminal input. (Default)/ Pentium™ II diode 1 input. This multi-functional pin is programmable.
VID0	41	IN _t	Voltage Supply readouts from P6. This value is read in the VID/Fan Divisor Register.
OVT#	42	OD ₁₂	Over temperature Shutdown Output.



Pin Description, continued

PIN NAME	PIN NO.	TYPE	DESCRIPTION
ADRMSEL	43	IN _t	Pin 45--47 mode selection. 0 = The 3 lowest order bits of ISA Address Bus.(Default, internal pull-down 47K ohm) 1 = 7 bit I ² C™ address setting pin.(bit2 - bit0)
SMI#	44	OD ₁₂	System Management Interrupt (open drain). This output is enabled when Bit 1 in the Configuration Register is set to 1. The default state is disabled.
SA2-SA0 IA2, IA1, IA0	45-47	IN _t IN _t	The three lowest order bits of the 16-bit ISA Address Bus. A0 corresponds to the lowest order bit. (Default, when ARDMSEL =0 or left open) The hardware setting pin of 7 bit I ² C™ serial address bit2, bit1 and bit0 at CR[48h]. (When ARDMSEL =1)
CS#	48	IN _t	Chip Select input from an external decoder which decodes high order address bits on the ISA Address Bus. This is an active low input.

6. FUNCTIONAL DESCRIPTION

6.1 General Description

The W83782D/G provides 7 analog positive inputs, 3 fan speed monitors, at most 4 sets for fan PWM (Pulse Width Modulation) control, 3 thermal inputs from remote thermistors or 2N3904 transistors or Pentium™ II (Deschutes) thermal diode outputs, case open detection and beep function output when the monitor value exceed the set limit value including voltage, temperature, or fan counter. When starting the monitor unction on the chip, the watch dog machine monitors every function and stores the value to registers. If the monitor value exceeds the limit value, the interrupt status will be set to 1.

6.2 Access Interface

The W83782D/G provides two interfaces for microprocessor to read/write internal registers.

6.2.1 ISA interface

The first interface uses ISA Bus to access which the ports of low byte (bit2~bit0) are defined in the port 5h and 6h. The high byte (from ISA address bus bit15~bit3) of these ports is decoded by Chip Select (CS#), the general decoded address is set to port 295h and port 296h. These two ports are described as following:

Port 295h: W83782D/G Index register port.

Port 296h: Data port.

The register structure is showed as the Figure 1.

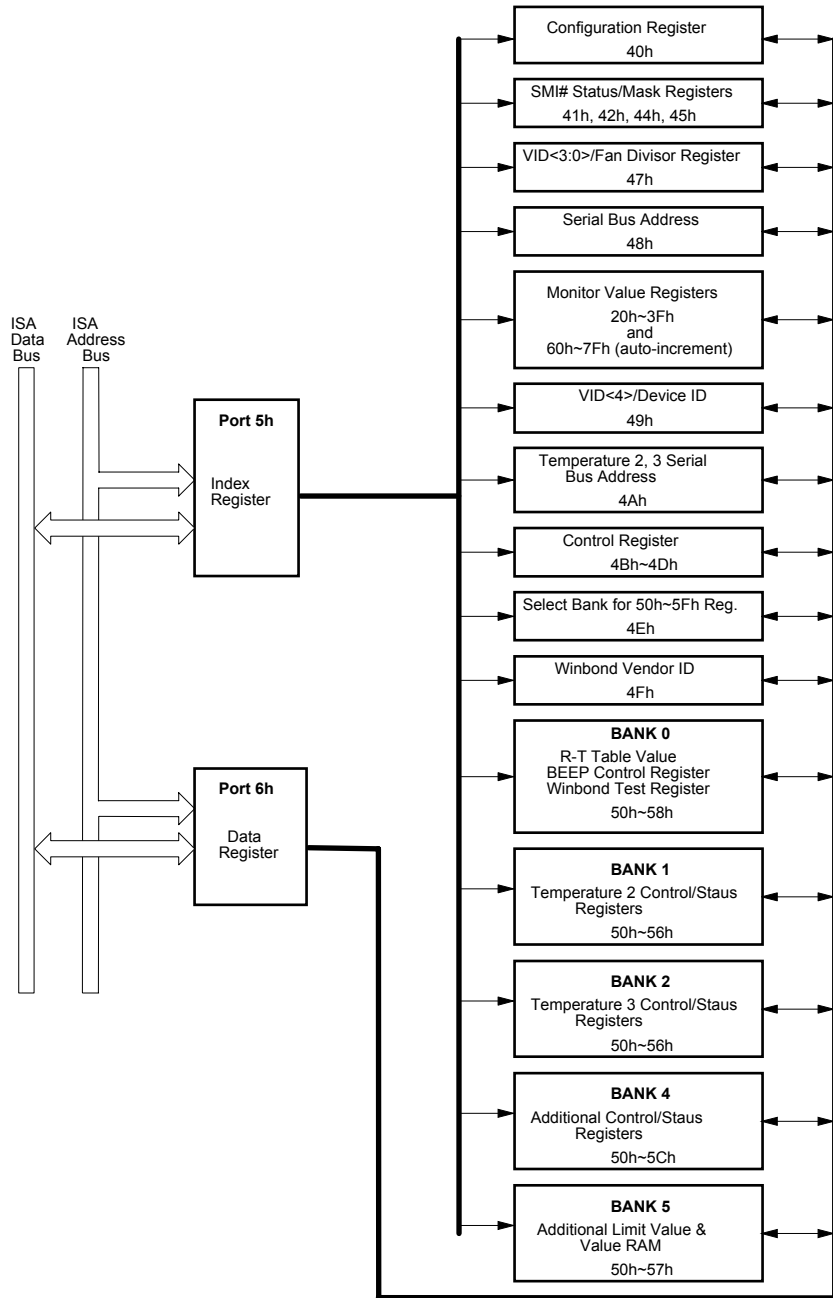


Figure 1. ISA interface access diagram



6.2.2 I²C interface

The second interface uses I²C Serial Bus. In the W83782D/G has three serial bus addresses. That is, the first address defined at CR [48h] can read/write all registers excluding Bank 1 and Bank 2 temperature sensor 2/3 registers. The second address defined at CR [4Ah] bit2-0 only read/write temperature sensor 2 registers, and the third address defined at CR [4Ah] bit6-4 only can access (read/write) temperature sensor 3 registers.

The first serial bus address of W83782D/G has 3 hardware setting bits set by pin47-45 when pin 43 is set to high. The address is 00101[pin45] [pin46] [pin47]. If pin45=1, pin46=1, pin47=0, for example, the content of CR [48h] is 0101110. If CR [4Ah] bit 2-0 is XXX, the temperature sensor 2 serial address is 1001XXXG, in which G is the read/write bit. If CR [4Ah] bit 6-4 is YYY, the temperature sensor 3 serial address is 1001YYYG, in which G is the read/write bit.

6.2.3 The first serial bus access timing is shown as follows:

(a) Serial bus write to internal address register followed by the data byte

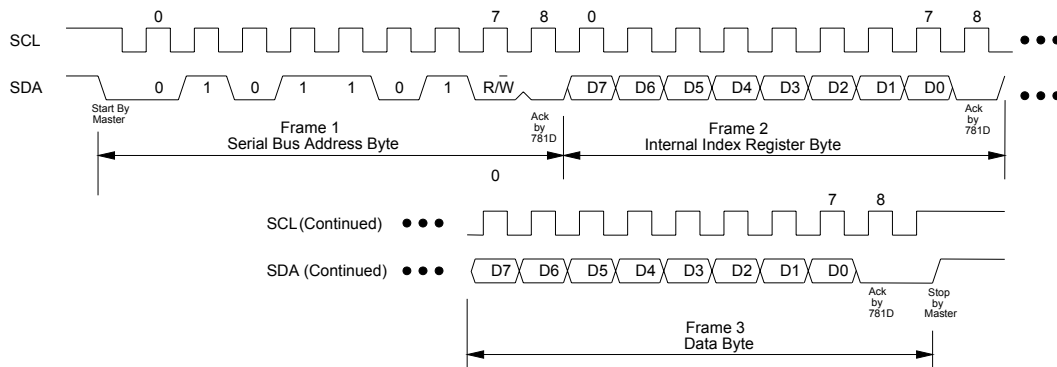


Figure 2. Serial Bus Write to Internal Address Register followed by the Data Byte

(b) Serial bus write to internal address register only

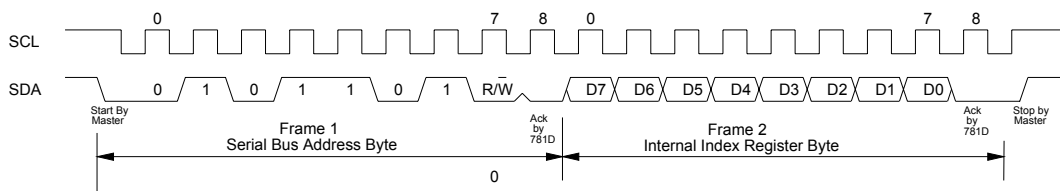


Figure 3. Serial Bus Write to Internal Address Register Only



(c) Serial bus read from a register with the internal address register prefer to desired location

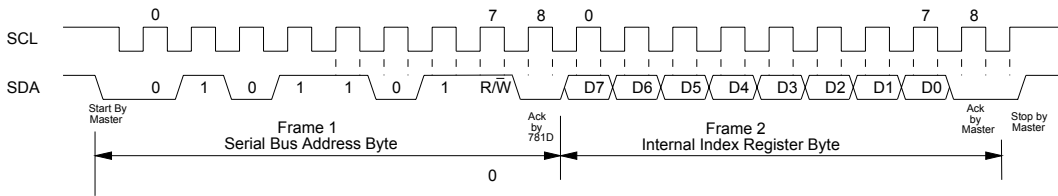


Figure 4. Serial Bus Write to Internal Address Register Only

6.2.4 The serial bus timing of the temperature 2 and 3 is shown as follow:

(a) Typical 2-byte read from preset pointer location (Temp, T_{OS} , T_{HYST})

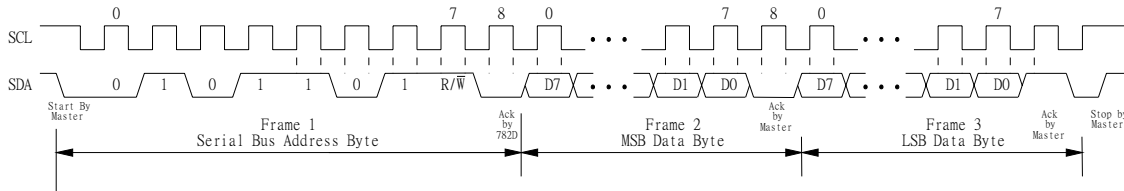


Figure 5. Typical 2-Byte Read From Preset Pointer Location

(b) Typical pointer set followed by immediate read for 2-byte register (Temp, T_{OS} , T_{HYST})

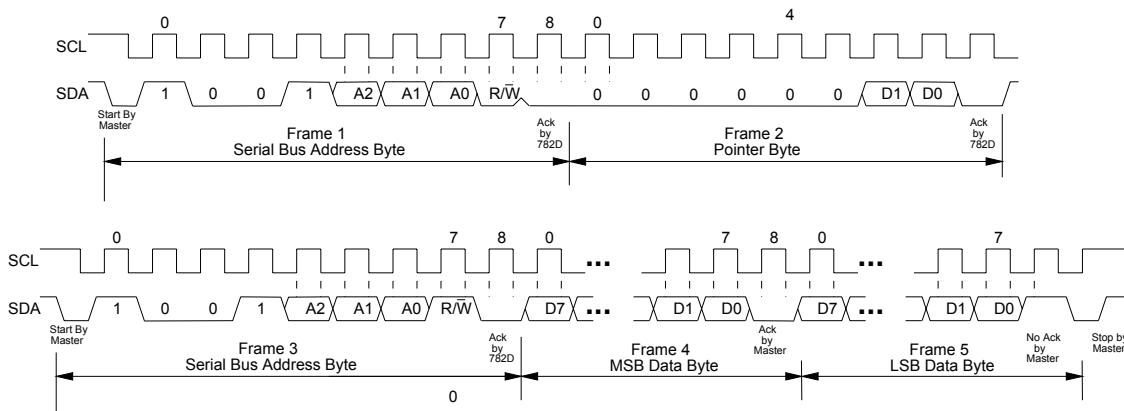


Figure 6. Typical Pointer Set Followed by Immediate Read for 2-Byte Register



(c) Typical read 1-byte from configuration register with preset pointer

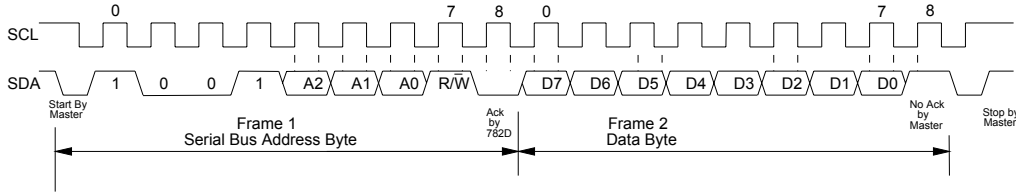


Figure 7. Typical 1-Byte Read From Configuration With Preset Pointer

(d) Typical pointer set followed by immediate read from configuration register

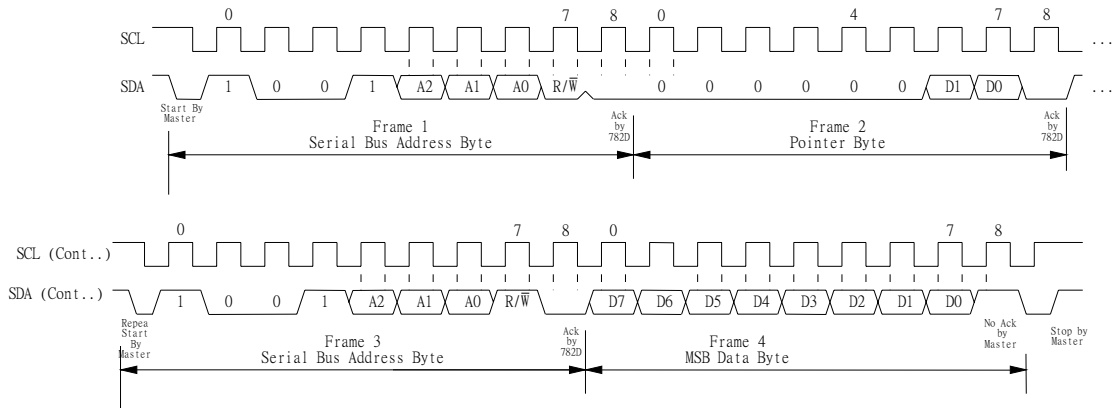


Figure 8. Typical Pointer Set Followed by Immediate Read from Temp 2/3 Configuration Register

(e) Temperature 2/3 configuration register Write

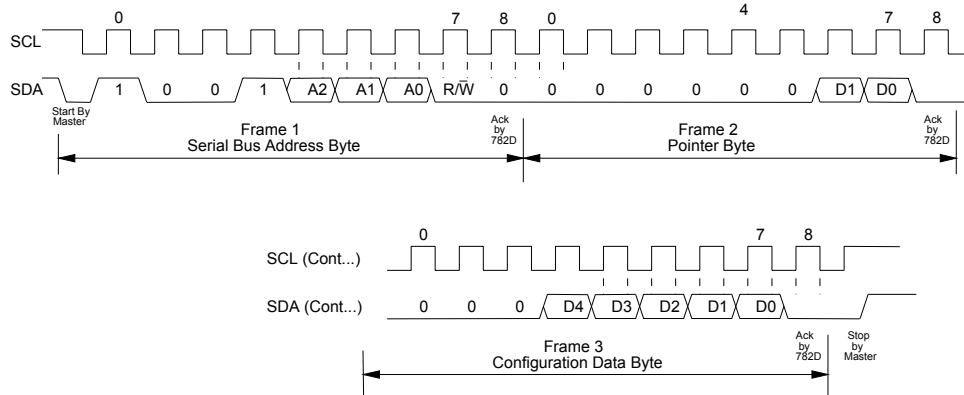


Figure 9. Configuration Register Write



(f) Temperature 2/3 T_{OS} and T_{HYST} write

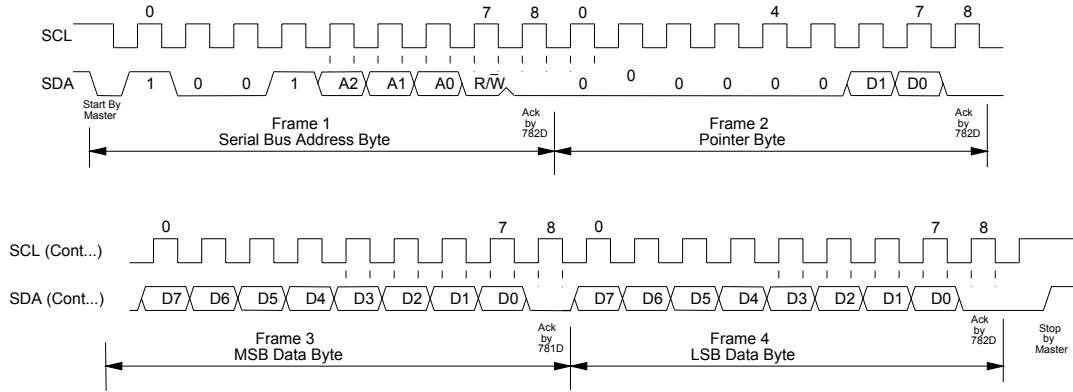


Figure 10. Configuration Register Write

6.3 Analog Inputs

The maximum input voltage of the analog pin is 4.096V because the 8-bit ADC has a 16mV LSB. Really, the application of the PC monitoring would most often be connected to power suppliers. The CPU V-core voltage, +3.3V and battery voltage can directly connect to these analog inputs. The 5VSB and +12V inputs should be reduced a factor with external resistors so as to obtain the input range. As Figure 11 shows.

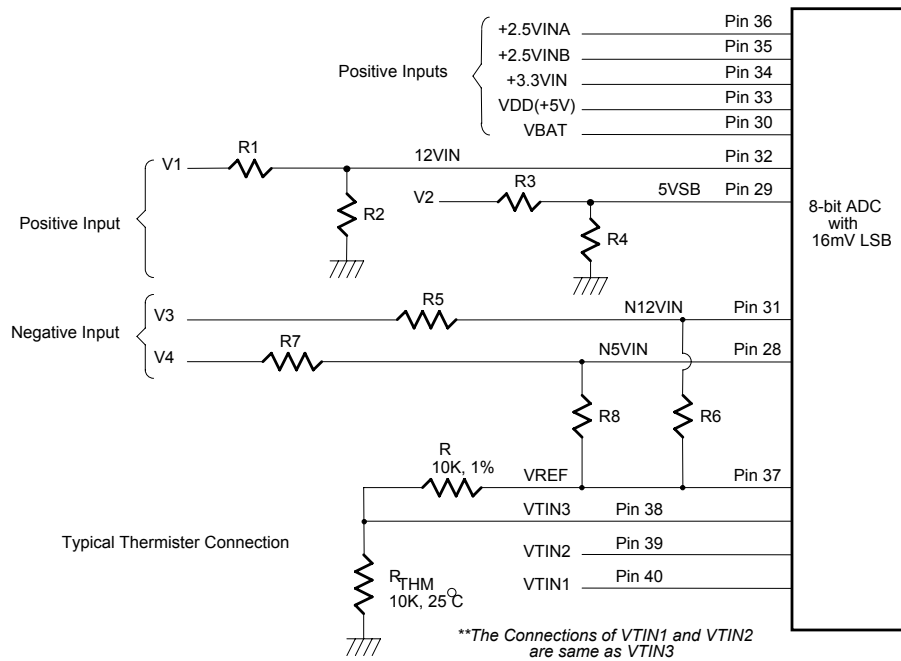


Figure 11.



6.3.1 Monitor over 4.096V voltage:

The input voltage +12VIN can be expressed as following equation.

$$12VIN = V_1 \times \frac{R_2}{R_1 + R_2}$$

The value of R1 and R2 can be selected to 28K Ohms and 10K Ohms, respectively, when the input voltage V1 is 12V. The node voltage of +12VIN can be subject to less than 4.096V for the maximum input range of the 8-bit ADC. Similarly, the node voltage of 5VSB (measure standby power VSB for ATX power supply) also can be evaluated by using two series resistors R3 and R4 which real value can be 5.1K ohms and 7.5K ohms so as to obtain the 5VSB is limited to less than 4.096V. The Pin 33 is connected to the power supply VCC with +5V. There are two functions in this pin with 5V. The first function is to supply internal analog power in the W83782D/G and the second function is that this voltage with 5V is connected to internal serial resistors to monitor the +5V voltage. The values of two serial resistors are 34K ohms and 50K ohms so that input voltage to ADC is 2.98V which is less than 4.096V of ADC maximum input voltage. The express equation can represent as follows.

$$V_{in} = VCC \times \frac{50K\Omega}{50K\Omega + 34K\Omega} \cong 2.98V$$

where VCC is set to 5V.

6.3.2 Monitor negative voltage:

The negative voltage should be connected two series resistors and a positive voltage VREF (is equal to 3.6V). In the Figure 11, the voltage V3 and V4 are two negative voltages which are -12V and -5V, respectively. The voltage V3 is connected to two serial resistors then is connected to another terminal VREF which is positive voltage. So as that the voltage node N12VIN can be obtain a posedge voltage if the scales of the two serial resirtors are carefully selected. It is recommended from Winbond that the scale of two serial resistors are R5=232K ohms and R6=56K ohm. The input voltage of node -12VIN can be calculated by following equation.

$$N12VIN = (VREF + |V_5|) \times \left(\frac{232K\Omega}{232K\Omega + 56K\Omega} \right) + V_5$$

where VREF is equal 3.6V.

If the V_5 is equal to -12V then the voltage is equal to 0.567V and the converted hexadecimal data is set to 35h by the 8-bit ADC with 16mV-LSB. This monitored value should be converted to the real negative voltage and the express equation is shown as follows.

$$V_5 = \frac{N12VIN - VREF \times \beta}{1 - \beta}$$

Where β is $232K/(232K+56K)$. If the N2VIN is 0.567 then the V5 is approximately equal to -12V.

The other negative voltage input V6 (approximate -5V) also can be evaluated by the similar method and the serial resistors can be selected with R7=120K ohms and R8=56K ohms by the Winbond recommended. The expression equation of V6 With -5V voltage is shown as follows.



$$V_6 = \frac{N5VIN - VREF \times \gamma}{1 - \gamma}$$

Where the β is set to 120K/(120K+56K). If the monitored ADC value in the N5VIN channel is 0.8635, VREF=3.6V and the parameter β is 0.6818 then the negative voltage of V6 can be evaluated to be -5V.

6.3.3 Monitor temperature from thermistor

The W83782D/G can connect three thermistors to measure three different environment temperatures. The specification of thermistor should be considered to (1) β value is 3435K, (2) resistor value is 10K ohms at 25°C. In the Figure 11, the thermistor is connected by a serial resistor with 10K Ohms, then connect to VREF (Pin 37).

6.3.4 Monitor temperature from Pentium II™ thermal diode or bipolar transistor 2N3904

The W83782D/G can alternate the thermistor to Pentium II™ (Deschutes) thermal diode interface or transistor 2N3904 and the circuit connection is shown as Figure 12. The pin of Pentium II™ D- is connected to power supply ground (GND) and the pin D+ is connected to pin PIITDx in the W83782D/G. The resistor R=30K ohms should be connected to VREF to supply the diode bias current and the bypass capacitor C=3300pF should be added to filter the high frequency noise. The transistor 2N3904 should be connected to a form with a diode, that is, the Base (B) and Collector (C) in the 2N3904 should be tied together to act as a thermal diode.

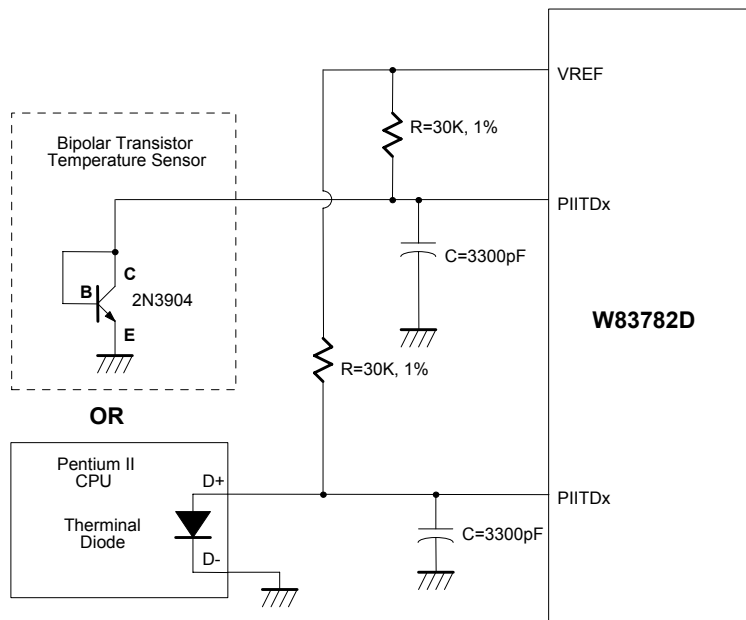


Figure 12.



6.4 FAN Speed Count and FAN Speed Control

6.4.1 Fan speed count

Inputs are provided for signals from fans equipped with tachometer outputs. The level of these signals should be set to TTL level, and maximum input voltage can not be over +5.5V. If the input signals from the tachometer outputs are over the VCC, the external trimming circuit should be added to reduce the voltage to obtain the input specification. The normal circuit and trimming circuits are shown as Figure 13.

Determine the fan counter according to:

$$\text{Count} = \frac{1.35 \times 10^6}{\text{RPM} \times \text{Divisor}}$$

In other words, the fan speed counter has been read from register CR28 or CR29 or CR2A, the fan speed can be evaluated by the following equation.

$$\text{RPM} = \frac{1.35 \times 10^6}{\text{Count} \times \text{Divisor}}$$

The default divisor is 2 and defined at CR47.bit7~4, CR4B.bit7~6, and Bank0 CR5D.bit5~7 which are three bits for divisor. That provides very low speed fan counter such as power supply fan. The followed table is an example for the relation of divisor, PRM, and count.

DIVISOR	NOMINAL PRM	TIME PER REVOLUTION	COUNTS	70% RPM	TIME FOR 70%
1	8800	6.82 ms	153	6160	9.74 ms
2 (default)	4400	13.64 ms	153	3080	19.48 ms
4	2200	27.27 ms	153	1540	38.96 ms
8	1100	54.54 ms	153	770	77.92 ms
16	550	109.08 ms	153	385	155.84 ms
32	275	218.16 ms	153	192	311.68 ms
64	137	436.32 ms	153	96	623.36 ms
128	68	872.64 ms	153	48	1246.72 ms

Table 1

W83782D/W83782G

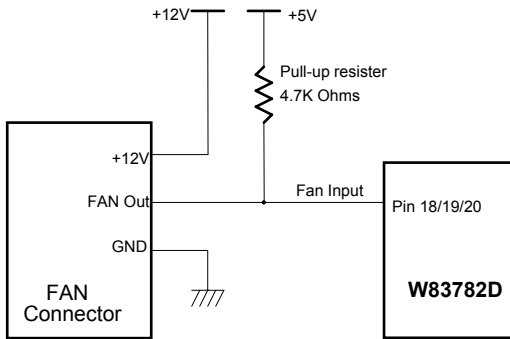


Figure 13-1. Fan with Tach Pull-Up to +5V

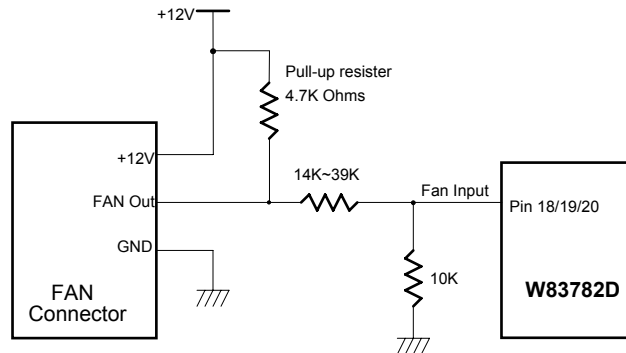


Figure 13-2. Fan with Tach Pull-Up to +12V, or Totem-Pole Output and Register Attenuator

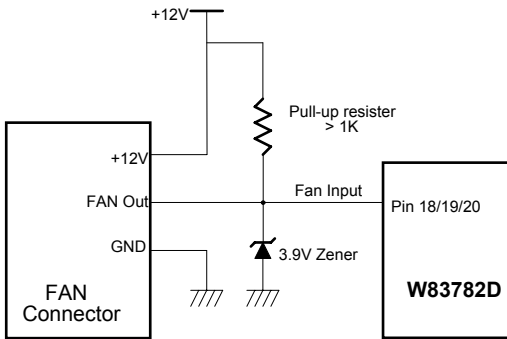


Figure 13-3. Fan with Tach Pull-Up to +12V and Zener Clamp

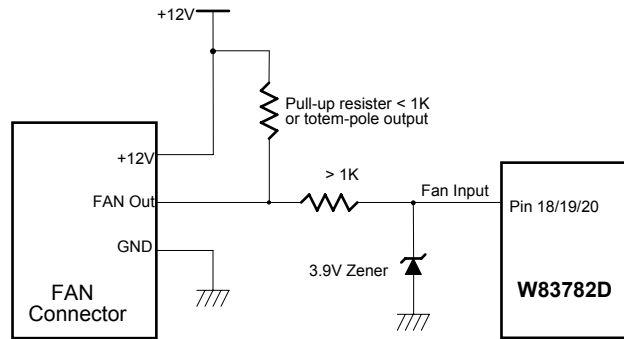


Figure 13-4. Fan with Tach Pull-Up to +12V, or Totem-Pole Output and Zener Clamp

Fan speed control

The W83782D/G provides four sets for fan PWM speed control. The duty cycle of PWM can be programmed by an 8-bit registers which are defined in the Bank0 CR5A, CR5B, CR5E, and CR5F. The default duty cycle is set to 100%, that is, the default 8-bit registers is set to FFh. The expression of duty can be represented as follows.

$$\text{Duty - cycle(\%)} = \frac{\text{Programmed 8 - bit Register Value}}{255} \times 100\%$$



The PWM clock frequency also can be program and defined in the Bank0.CR5C and Bank4.CR5C. The application circuit is shown as follows.

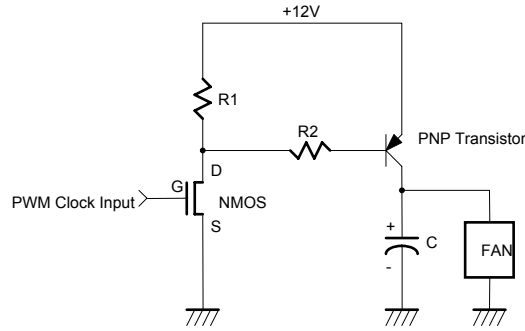


Figure 14.

6.5 Temperature Measurement Machine

The temperature data format is 8-bit two - complement for sensor 1 and 9-bit two - complement for sensor 2/3. The 8-bit temperature data can be obtained by reading the CR [27h]. The 9-bit temperature data can be obtained by reading the 8 MSBs from the Bank1/2 CR [50h] and the LSB from the Bank1/2 CR [51h] bit 7. The format of the temperature data is show in Table 1.

TEMPERATURE	8-BIT DIGITAL OUTPUT		9-BIT DIGITAL OUTPUT	
	8-Bit Binary	8-Bit Hex	9-Bit Binary	9-Bit Hex
+125 °C	0111,1101	7Dh	0,1111,1010	0FAh
+25 °C	0001,1001	19h	0,0011,0010	032h
+1 °C	0000,0001	01h	0,0000,0010	002h
+0.5 °C	-	-	0,0000,0001	001h
+0 °C	0000,0000	00h	0,0000,0000	000h
-0.5 °C	-	-	1,1111,1111	1FFh
-1 °C	1111,1111	FFh	1,1111,1110	1FFh
-25 °C	1110,0111	E7h	1,1100,1110	1CEh
-55 °C	1100,1001	C9h	1,1001,0010	192h

Table 2



6.5.1 The W83782D/G temperature sensor 1 SMI# interrupt has two modes

(1) Comparator Interrupt Mode

Setting the T_{HYST} (Temperature Hysteresis) limit to 127°C will set temperature sensor 1 SMI# to the Comparator Interrupt Mode. Temperature exceeds T_O (Over Temperature) Limit causes an interrupt and this interrupt will be reset by reading all the Interrupt Status Register. Once an interrupt event has occurred by exceeding T_O , then reset, if the temperature remains above the T_O , the interrupt will occur again when the next conversion has completed. If an interrupt event has occurred by exceeding T_O and not reset, the interrupts will not occur again. The interrupts will continue to occur in this manner until the temperature goes below T_O . (Figure 16-1)

(2) Two-Times Interrupt Mode

Setting the T_{HYST} lower than T_O will set temperature sensor 1 SMI# to the Two-Times Interrupt Mode. Temperature exceeding T_O causes an interrupt and then temperature going below T_{HYST} will also cause an interrupt if the previous interrupt has been reset by reading all the interrupt Status Register. Once an interrupt event has occurred by exceeding T_O , then reset, if the temperature remains above the T_{HYST} , the interrupt will not occur. (Figure 15-2)

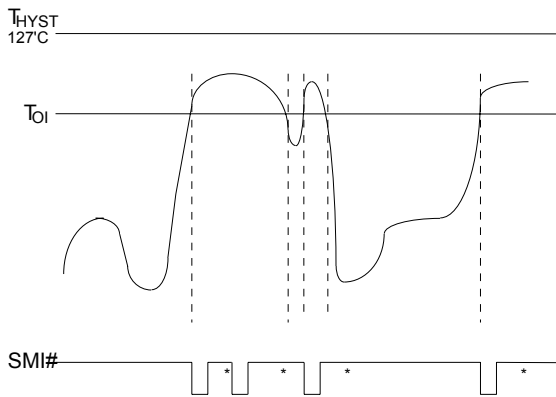


Figure 15-1. Comparator Interrupt Mode

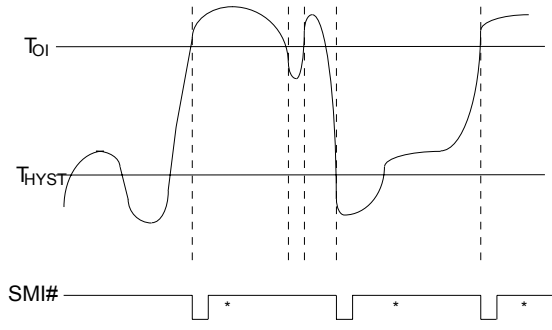


Figure 15-2. Two-Times Interrupt Mode

*Interrupt Reset when Interrupt Status Registers are read

6.5.2 The W83782D/G temperature sensor 2 and sensor 3 SMI# interrupt has two modes and it is programmed at CR [4Ch] bit 6.

(1) Comparator Interrupt Mode

Temperature exceeding T_O causes an interrupt and this interrupt will be reset by reading all the Interrupt Status Register. Once an interrupt event has occurred by exceeding T_O , then reset, if the temperature remains above the T_{HYST} , the interrupt will occur again when the next conversion has completed. If an interrupt event has occurred by exceeding T_O and not reset, the interrupts will not occur again. The interrupts will continue to occur in this manner until the temperature goes below T_{HYST} . (Figure 16-1)



(2) Two-Times Interrupt Mode

Temperature exceeding T_O causes an interrupt and then temperature going below T_{HYST} will also cause an interrupt if the previous interrupt has been reset by reading all the interrupt Status Register. Once an interrupt event has occurred by exceeding T_O , then reset, if the temperature remains above the T_{HYST} , the interrupt will not occur. (Figure 16-2)

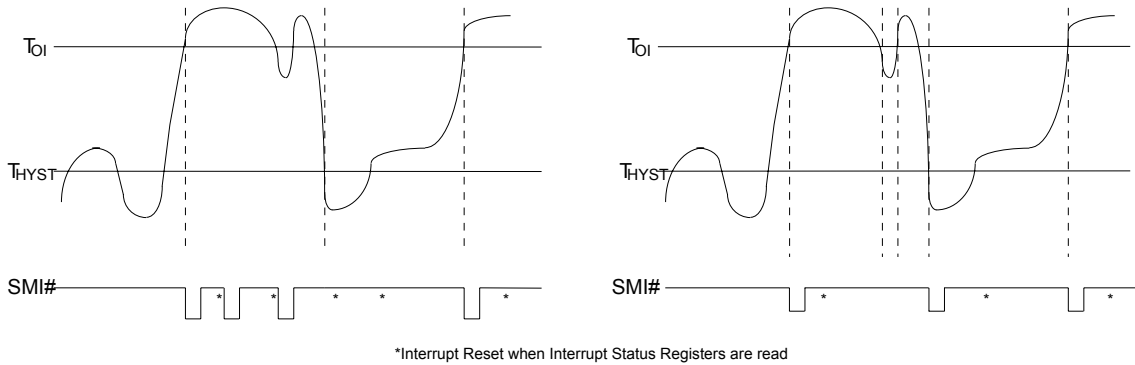


Figure 16-2. Two-Times Interrupt Mode

Figure 16-1. Comparator Interrupt Mode

6.5.3 The W83782D/G temperature sensor 2 and 3 Over-Temperature (OVT#) has two modes, and they are programmed at Bank1 and Bank2 CR [52h] bit1. These two bits needs to be programmed the same value.

(1) Comparator Mode:

Temperature exceeding T_O causes the OVT# output activated until the temperature is less than T_{HYST} . (Figure 17)

(2) Interrupt Mode:

Temperature exceeding T_O causes the OVT# output activated indefinitely until reset by reading temperature sensor 2 or sensor 3 registers. Temperature exceeding T_O , then OVT# reset, and then temperature going below T_{HYST} will also cause the OVT# activated indefinitely until reset by reading temperature sensor2 or sensor 3 registers. Once the OVT# is activated by exceeding T_O , then reset, if the temperature remains above T_{HYST} , the OVT# will not be activated again. (Figure 17)

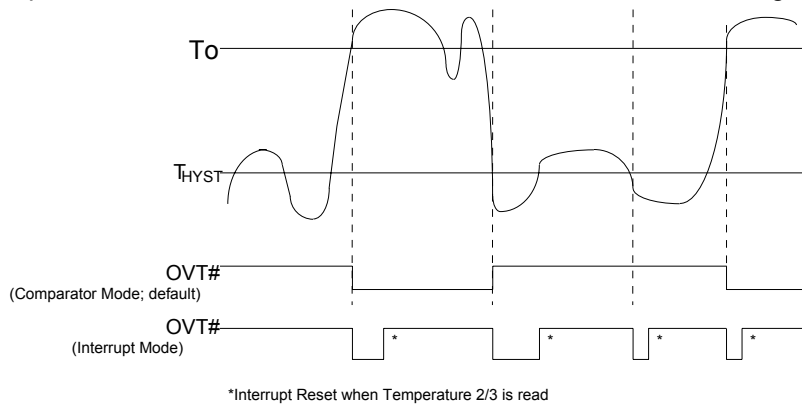


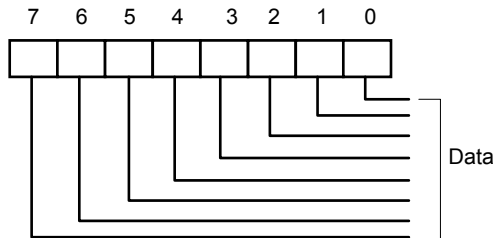
Figure 17. Over-Temperature Response Diagram



7. REGISTERS AND RAM

7.1 Address Register (Port x5h)

Data Port: Port x5h
 Power on Default Value 00h
 Attribute: Bit 6:0 Read/write, Bit 7: Read Only
 Size: 8 bits



Bit7: Read Only

The logical 1 indicates the device is busy because of a Serial Bus transaction or another ISA bus transaction. With checking this bit, multiple ISA drivers can use W83782D/G without interfering with each other or a Serial Bus driver.

It is the user's responsibility not to have a Serial Bus and ISA bus operations at the same time.

This bit is:

Set: with a write to Port x5h or when a Serial Bus transaction is in progress.

Reset: with a write or read from Port x6h if it is set by a write to Port x5h, or when the Serial Bus transaction is finished.

Bit 6-0: Read/Write

Bit 7	Bit 6	Bit 5	Bit 4	Bit 3	Bit 2	Bit 1	Bit 0
Busy (Power On default 0)	Address Pointer (Power On default 00h)						
	A6	A5	A4	A3	A2	A1	A0

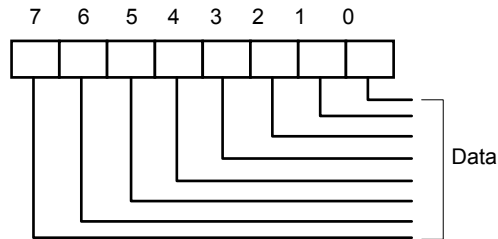


Address Pointer Index (A6-A0)

Registers and RAM	A6-A0 in Hex	Power On Value of Registers: <k7:0>in Binary	Notes
Configuration Register	40h	00001000	
Interrupt Status Register 1	41h	00000000	Auto-increment to the address of Interrupt Status Register 2 after a read or write to Port x6h.
Interrupt Status Register 2	42h	00000000	
SMI#Ÿ Mask Register 1	43h	00000000	Auto-increment to the address of SMIŸ Mask Register 2 after a read or write to Port x6h.
SMIŸ Mask Register 2	44h	00000000	
NMI Mask Register 1	45h	00000000	Auto-increment to the address of NMI Mask Register 2 after a read or write to Port x6h
NMI Mask Register 2	46h	01000000	
VID/Fan Divisor Register	47h	<7:4> = 0101; <3:0> = VID3-ID0	
Serial Bus Address Register	48h	<6:0> = 01011101; <7> = 0	
POST RAM	00-1Fh		Auto-increment to the next location after a read or write to Port x6h and stop at 1Fh.
Value RAM	20-3Fh		
Value RAM	60-7Fh		Auto-increment to the next location after a read or write to Port x6h and stop at 7Fh.

7.2 Data Register (Port x6h)

Data Port: Port x6h
 Power on Default Value 00h
 Attribute: Read/write
 Size: 8 bits

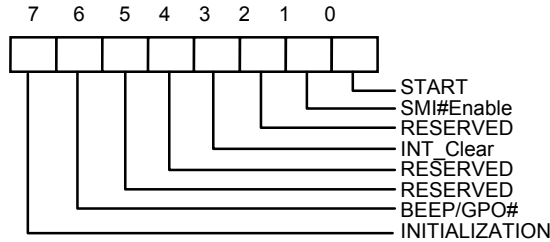


Bit 7-0: Data to be read from or to be written to RAM and Register.



7.3 Configuration Register – Index 40h

Register Location: 40h
 Power on Default Value 00000001 binary
 Attribute: Read/write
 Size: 8 bits

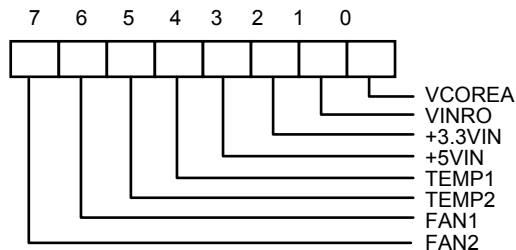


- Bit 7: A one restores power on default value to all registers except the Serial Bus Address register. This bit clears itself since the power on default is zero.
- Bit 6: The logical 1 in this bit drives a zero on BEEP/GPO# pin.
- Bit 5: Reserved
- Bit 4: Reserved
- Bit 3: A one disables the SMI# output without affecting the contents of Interrupt Status Registers. The device will stop monitoring. It will resume upon clearing of this bit.
- Bit 2: Reserved
- Bit 1: A one enables the SMI# Interrupt output.
- Bit 0: A one enables startup of monitoring operations, a zero puts the part in standby mode.

Note: The outputs of Interrupt pins will not be cleared if the user writes a zero to this location after an interrupt has occurred unlike "INT_Clear" bit.

7.4 Interrupt Status Register 1 – Index 41h

Register Location: 41h
 Power on Default Value 00h
 Attribute: Read Only
 Size: 8 bits



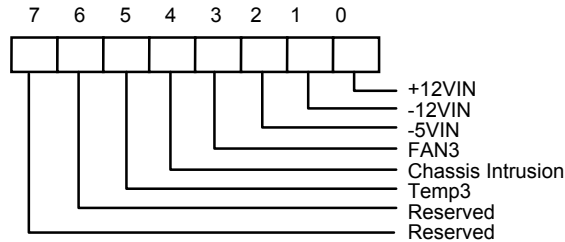
- Bit 7: A one indicates the fan count limit of FAN2 has been exceeded.
- Bit 6: A one indicates the fan count limit of FAN1 has been exceeded.



- Bit 5: A one indicates a High limit of VTIN2 has been exceeded from temperature sensor 2.
- Bit 4: A one indicates a High limit of VTIN1 has been exceeded from temperature sensor 1.
- Bit 3: A one indicates a High or Low limit of +5VIN has been exceeded.
- Bit 2: A one indicates a High or Low limit of +3.3VIN has been exceeded.
- Bit 1: A one indicates a High or Low limit of VINR0 has been exceeded.
- Bit 0: A one indicates a High or Low limit of VCOREA has been exceeded.

7.5 Interrupt Status Register 2 – Index 42h

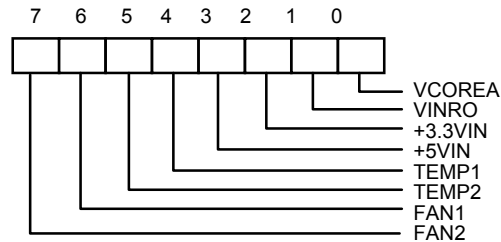
Register Location: 42h
 Power on Default Value 00h
 Attribute: Read Only
 Size: 8 bits



- Bit 7-6:Reserved.This bit should be set to 0.
- Bit 5: A one indicates a High limit of VTIN3 has been exceeded from temperature sensor 3.
- Bit 4: A one indicates Chassis Intrusion has gone high.
- Bit 3: A one indicates the fan count limit of FAN3 has been exceeded.
- Bit 2: A one indicates a High or Low limit of -5VIN has been exceeded.
- Bit1: A one indicates a High or Low limit of -12VIN has been exceeded.
- Bit0: A one indicates a High or Low limit of +12VIN has been exceeded.

7.6 SMI# Mask Register 1 – Index 43h

Register Location: 43h
 Power on Default Value 00h
 Attribute: Read/Write
 Size: 8 bits

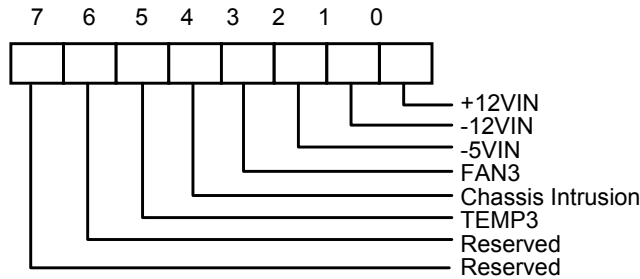


Bit 7-0: A one disables the corresponding interrupt status bit for SMI interrupt.



7.7 SMI# Mask Register 2 – Index 44h

Register Location: 44h
 Power on Default Value 00h
 Attribute: Read/Write
 Size: 8 bits



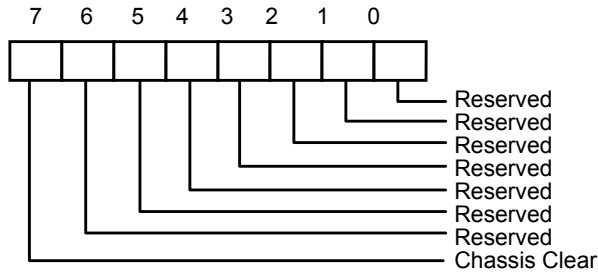
Bit 7-6: Reserved. This bit should be set to 0.

Bit 5-0: A one disables the corresponding interrupt status bit for $\overline{\text{SMI}}$ interrupt.

7.8 Reserved Register – Index 45h

7.9 Chassis Clear Register – Index 46h

Register Location: 46h
 Power on Default Value <7:0> = 00000000 binary
 Attribute: Read/Write
 Size: 8 bits



Bit 7: Set 1, clear Chassis Intrusion event. This bit self clears after clearing Chassis Intrusion event.

Bit 6-0: Reserved. This bit should be set to 0.



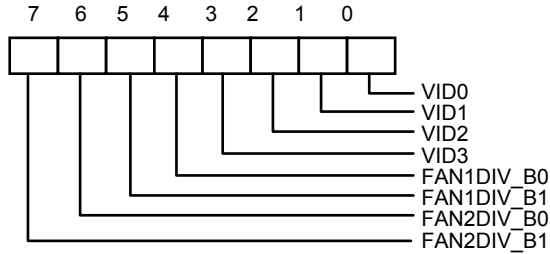
7.10 VID/Fan Divisor Register – Index 47h

Register Location: 47h

Power on Default Value <7:4> is 0101, <3:0> is mapped to VID<3:0>

Attribute: Read/Write

Size: 8 bits



Bit 7-6: FAN2 Speed Control.

Bit 5-4: FAN1 Speed Control.

Bit 3-0: The VID <3:0> inputs

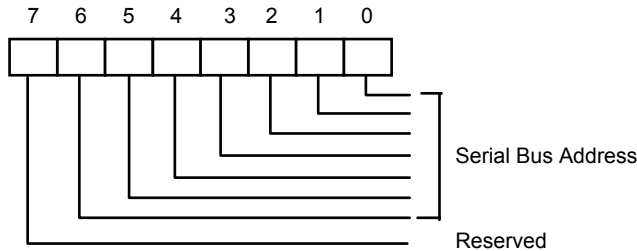
Note: Please refer to Bank0 CR [5Dh] , Fan divisor table.

7.11 Serial Bus Address Register – Index 48h

Register Location: 48h

Power on Default Value Serial Bus address <6:0> = 0101101 and <7> = 0 binary

Size: 8 bits



Bit 7: Read Only - Reserved.

Bit 6-0: Read/Write - Serial Bus address <6:0>.



7.12 Value RAM – Index 20h- 3Fh or 60h - 7Fh (auto-increment)

ADDRESS A6-A0	ADDRESS A6-A0 WITH AUTO-INCREMENT	DESCRIPTION
20h	60h	VCOREA reading
21h	61h	VINR0 reading
22h	62h	+3.3VIN reading
23h	63h	+5VIN reading
24h	64h	+12VIN reading
25h	65h	-12VIN reading
26h	66h	-5VIN reading
27h	67h	Temperature reading
28h	68h	FAN1 reading Note: This location stores the number of counts of the internal clock per revolution.
29h	69h	FAN2 reading Note: This location stores the number of counts of the internal clock per revolution.
2Ah	6Ah	FAN3 reading Note: This location stores the number of counts of the internal clock per revolution.
2Bh	6Bh	VCOREA High Limit, default value is defined by Vcore Voltage +0.2v.
2Ch	6Ch	VCOREA Low Limit, default value is defined by Vcore Voltage -0.2v.
2Dh	6Dh	VINR0 High Limit.
2Eh	6Eh	VINR0 Low Limit.
2Fh	6Fh	+3.3VIN High Limit
30h	70h	+3.3VIN Low Limit
31h	71h	+5VIN High Limit
32h	72h	+5VIN Low Limit
33h	73h	+12VIN High Limit
34h	74h	+12VIN Low Limit
35h	75h	-12VIN High Limit
36h	76h	-12VIN Low Limit
37h	77h	-5VIN High Limit
38h	78h	-5VIN Low Limit



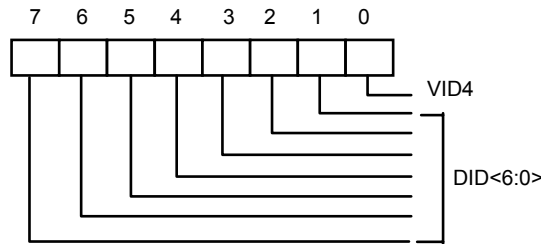
Value RAM – Index 20h- 3Fh or 60h - 7Fh (auto-increment), continued

ADDRESS A6-A0	ADDRESS A6-A0 WITH AUTO-INCREMENT	DESCRIPTION
39h	79h	Temperature sensor 1 (VTIN1) High Limit
3Ah	7Ah	Temperature sensor 1 (VTIN1) Hysteresis Limit
3Bh	7Bh	FAN1 Fan Count Limit Note: It is the number of counts of the internal clock for the Low Limit of the fan speed.
3Ch	7Ch	FAN2 Fan Count Limit Note: It is the number of counts of the internal clock for the Low Limit of the fan speed.
3Dh	7Dh	FAN3 Fan Count Limit Note: It is the number of counts of the internal clock for the Low Limit of the fan speed.
3E- 3Fh	7E- 7Fh	Reserved

Setting all ones to the high limits for voltages and fans (0111 1111 binary for temperature) means interrupts will never be generated except the case when voltages go below the low limits.

7.13 Voltage ID (VID4) & Device ID – Index 49h

Register Location: 49h
 Power on Default Value <7:1> is 000,0001b
 <0> is mapped to VID <4>
 Size: 8 bits

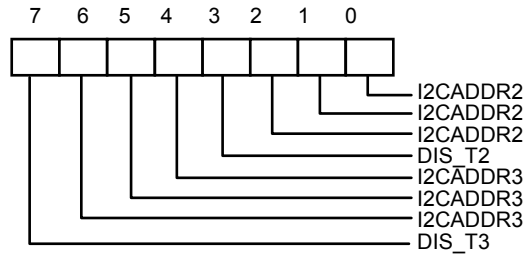


Bit 7-1: Read Only - Device ID<6:0>
 Bit 0: Read/Write - The VID4 inputs.



7.14 Temperature 2 and Temperature 3 Serial Bus Address Register – Index 4Ah

Register Location: 4Ah
 Power on Default Value <7:0> = 0000, 0001 binary. Reset by MR
 Attribute: Read/Write
 Size: 8 bits



Bit 7: Set to 1, disable temperature sensor 3 and can not access any data from Temperature Sensor 3.

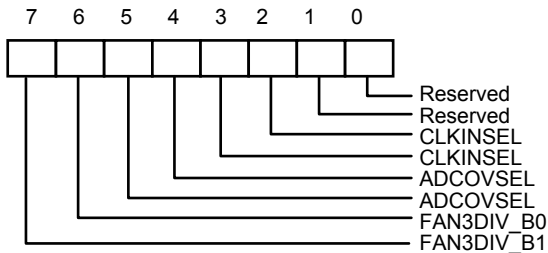
Bit 6-4: Temperature 3 Serial Bus Address. The serial bus address is 1001xxx, where xxx are defined in these bits.

Bit 3: Set to 1, disable temperature Sensor 2 and can not access any data from Temperature Sensor 2.

Bit 2-0: Temperature 2 Serial Bus Address. The serial bus address is 1001xxx, where xxx are defined in these bits.

7.15 Pin Control Register – Index4Bh

Register Location: 4Bh
 Power on Default Value <7:0> 44h. Reset by MR.
 Attribute: Read/Write
 Size: 8 bits



Bit 7-6:Fan3 speed divisor.

Please refer to Bank0 CR [5Dh], Fan divisor table.

Bit 5-4: Select A/D Converter Clock Input.

<5:4> = 00 - default. ADC clock select 22.5 Khz.

<5:4> = 01- ADC clock select 5.6 Khz. (22.5K/4)



- <5:4> = 10 - ADC clock select 1.4 KHz. (22.5K/16)
- <5:4> = 11 - ADC clock select 0.35 KHz. (22.5K/64)

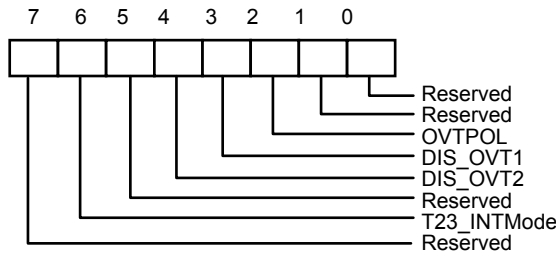
Bit 3-2: Clock Input Select.

- <3:2> = 00 - Pin 3 (CLKIN) select 14.318M Hz clock.
- <3:2> = 01 - Default. Pin 3 (CLKIN) select 24M Hz clock.
- <3:2> = 10 - Pin 3 (CLKIN) select 48M Hz clock .
- <3:2> = 11 - Reserved. Pin3 no clock input.

Bit 1-0: Reserved. User defined.

7.16 IRQ#/OVT# Property Select – Index 4Ch

Register Location: 4Ch
 Power on Default Value <7:0> --0000,0001. Reset by MR.
 Attribute: Read/Write
 Size: 8 bits



Bit 7: Reserved. User Defined.

Bit6: Set to 1, the SMI# output type of Temperature 2 and 3 is set to Comparator Interrupt mode. Set to 0, the SMI# output type is set to Two-Times Interrupt mode. (default 0)

Bit5: Reserved. User Defined.

Bit 4: Disable temperature sensor 3 over-temperature (OVT) output if set to 1. Default 0, enable OVT2 output through pin OVT#.

Bit 3: Disable temperature sensor 2 over-temperature (OVT) output if set to 1. Default 0, enable OVT1 output through pin OVT#.

Bit 2: Over-temperature polarity. Write 1, OVT# active high. Write 0, OVT# active low. Default 0.

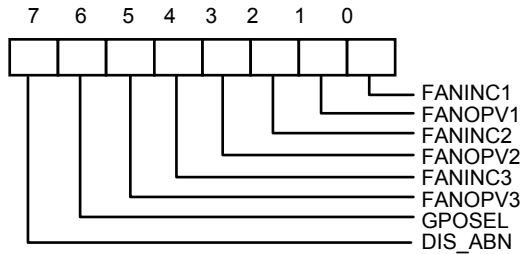
Bit 1: Reserved. User Defined.

Bit 0: Reserved. User Defined.



7.17 FAN IN/OUT and BEEP/GPO# Control Register – Index 4Dh

Register Location: 4Dh
 Power on Default Value <7:0> 0001, 0101. Reset by MR.
 Attribute: Read/Write
 Size: 8 bits



Bit 7: Disable power-on abnormal the monitor voltage including V-Core A and +3.3V. If these voltages exceed the limit value, the pin (Open Drain) of BEEP will drives 300Hz and 600Hz frequency signal. Write 1, the frequency will be disabled. Default is 0. After power on, the system should set 1 to this bit to 1 in order to disable BEEP.

Bit 6: BEEP/GPO# Pin Function Select. Write 1 Select GPO# function. Set 0, select BEEP function. This bit default 0.

Bit 5: FAN 3 output value if FANINC3 sets to 0. Write 1, then pin 18 always generate logic high signal. Write 0, pin 18 always generates logic low signal. This bit default 0.

Bit 4: FAN 3 Input Control. Set to 1, pin 18 acts as FAN clock input, which is default value. Set to 0, this pin 18 acts as FAN control signal and the output value of FAN control is set by this register bit 5. This output pin can connect to power PMOS gate to control FAN ON/OFF.

Bit 3: FAN 2 output value if FANINC2 sets to 0. Write 1, then pin 19 always generate logic high signal. Write 0, pin 19 always generates logic low signal. This bit default 0.

Bit 2: FAN 2 Input Control. Set to 1, pin 19 acts as FAN clock input, which is default value. Set to 0, this pin 19 acts as FAN control signal and the output value of FAN control is set by this register bit 3. This output pin can connect to power NMOS gate to control FAN ON/OFF.

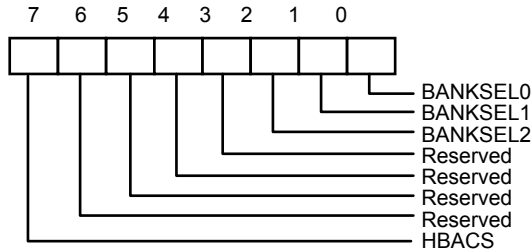
Bit 1: FAN 1 output value if FANINC1 sets to 0. Write 1, then pin 20 always generate logic high signal. Write 0, pin 20 always generates logic low signal. This bit default 0.

Bit 0: FAN 1 Input Control. Set to 1, pin 20 acts as FAN clock input, which is default value. Set to 0, the pin 20 acts as FAN control signal and the output value of FAN control is set by this register bit 1. This output pin can connect to power PMOS gate to control FAN ON/OFF.



7.18 Register 50h ~ 5Fh Bank Select – Index 4Eh

Register Location: 4Eh
 Power on Default Value <6:3> = Reserved, <7> = 1, <2:0> = 0. Reset by MR
 Attribute: Read/Write
 Size: 8 bits



Bit 7: HBACS- High byte access. Set to 1, access Register 4Fh high byte register.

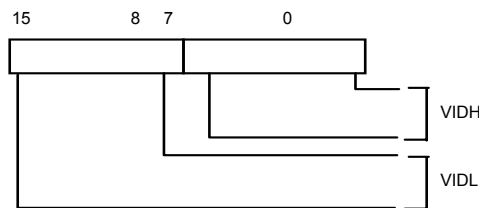
Set to 0, access Register 4Fh low byte register. Default 1.

Bit 6-3: Reserved. This bit should be set to 0.

Bit 2-0: Index ports 0x50~0x5F Bank select.

7.19 Winbond Vendor ID – Index 4Fh

Register Location: 4Fh
 Power on Default Value <15:0> = 5CA3h
 Attribute: Read Only
 Size: 16 bits



Bit 15-8: Vendor ID High Byte if CR4E.bit7=1.Default 5Ch.

Bit 7-0: Vendor ID Low Byte if CR4E.bit7=0. Default A3h.

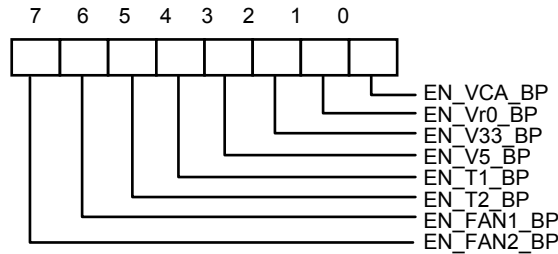
7.20 Winbond Test Register – Index 50h - 55h (Bank 0)

Reserved



7.21 BEEP Control Register 1 – Index 56h (Bank 0)

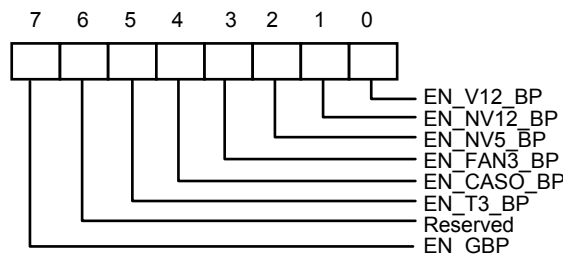
Register Location: 56h
 Power on Default Value <7:0> 0000, 0000. Reset by MR.
 Attribute: Read/Write
 Size: 8 bits



- Bit 7: Enable BEEP Output from FAN 2 if the monitor value exceeds the limit value. Write 1, enable BEEP output, which is default value.
- Bit 6: Enable BEEP Output from FAN 1 if the monitor value exceeds the limit value. Write 1, enable BEEP output, which is default value.
- Bit 5: Enable BEEP Output from Temperature Sensor 2 if the monitor value exceeds the limit value. Write 1, enable BEEP output. Default 0
- Bit 4: Enable BEEP output for Temperature Sensor 1 if the monitor value exceeds the limit value. Write 1, enable BEEP output. Default 0
- Bit 3: Enable BEEP output from VDD (+5V), Write 1, enable BEEP output if the monitor value exceeds the limits value. Default 0, that is disable BEEP output.
- Bit 2: Enable BEEP output from +3.3V. Write 1, enable BEEP output, which is default value.
- Bit 1: Enable BEEP output from VINR0. Write 1, enable BEEP output, which is default value.
- Bit 0: Enable BEEP Output from VCOREA if the monitor value exceeds the limits value. Write 1, enable BEEP output, which is default value

7.22 BEEP Control Register 2 – Index 57h (Bank 0)

Register Location: 57h
 Power on Default Value <7:0> 1000-0000. Reset by MR.
 Attribute: Read/Write
 Size: 8 bits

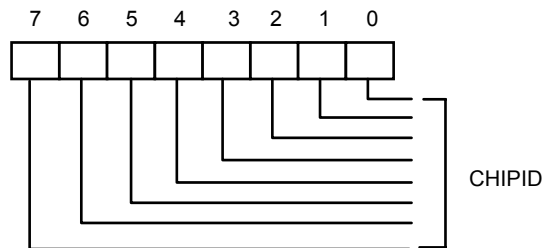




- Bit 7: Enable Global BEEP. Write 1, enable global BEEP output. Default 1. Write 0, disable all BEEP output.
- Bit 6: Reserved. This bit should be set to 0.
- Bit 5: Enable BEEP Output from Temperature Sensor 3 if the monitor value exceeds the limit value. Write 1, enable BEEP output. Default 0
- Bit 4: Enable BEEP output for case open if the monitor value exceeds the limit value. Write 1, enable BEEP output. Default 0.
- Bit 3: Enable BEEP Output from FAN 3 if the monitor value exceeds the limit value. Write 1, enable BEEP output. Default 0.
- Bit 2: Enable BEEP output from -5V, Write 1, enable BEEP output if the monitor value exceed the limits value. Default 0, that is disable BEEP output.
- Bit 1: Enable BEEP output from -12V, Write 1, enable BEEP output if the monitor value exceed the limits value. Default 0, that is disable BEEP output.
- Bit 0: Enable BEEP output from +12V, Write 1, enable BEEP output if the monitor value exceed the limits value. Default 0, that is disable BEEP output.

7.23 Chip ID – Index 58h (Bank 0)

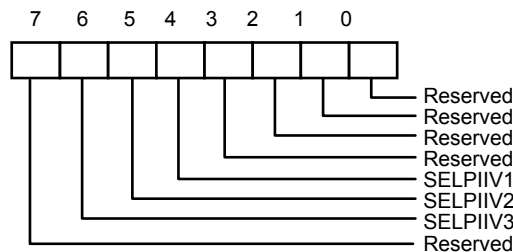
Register Location: 58h
 Power on Default Value <7:0> 0011-0000. Reset by MR.
 Attribute: Read Only
 Size: 8 bits



Bit 7: Winbond Chip ID number. Read this register will return 30h.

7.24 Diode Selection Register – Index 59h (Bank 0)

Register Location: 59h
 Power on Default Value <7>=0 and <6:4> = 111 and <3:0> = 0000
 Attribute: Read/Write
 Size: 8 bits





Bit 7: Reserved

Bit 6: Temperature sensor diode 3. Set to 1, select Pentium II compatible Diode. Set to 0 to select 2N3904 bipolar mode.

Bit 5: Temperature sensor diode 2. Set to 1, select Pentium II compatible Diode. Set to 0 to select 2N3904 bipolar mode.

Bit 4: Temperature sensor diode 1. Set to 1, select Pentium II compatible Diode. Set to 0 to select 2N3904 bipolar mode.

Bit 3-0: Reserved

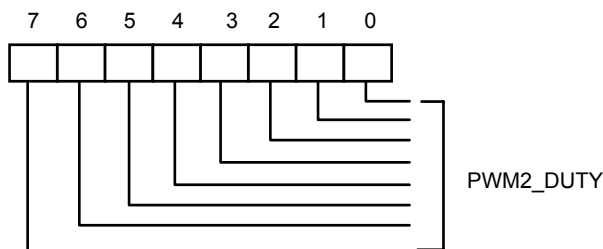
7.25 PWMOUT2 Control – Index 5Ah (Bank 0)

Register Location: 5Ah

Power on default value: <7:0> 1111-1111. Reset by MR.

Attribute: Read/Write

Size: 8 bits



Bit 7: PWMOUT2 duty cycle control

Write FF, Duty cycle is 100%, Write 00, Duty cycle is 0%.

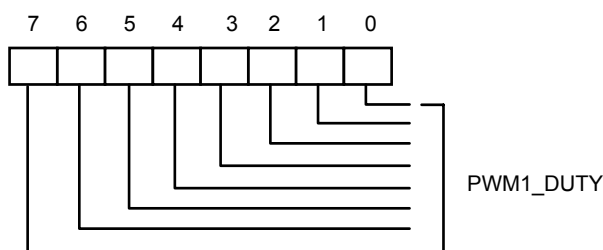
7.26 PWMOUT1 Control – Index 5Bh (Bank 0)

Register Location: 5Bh

Power on default value: <7:0> 1111-1111. Reset by MR.

Attribute: Read/Write

Size: 8 bits



Bit 7: PWMOUT1 duty cycle control

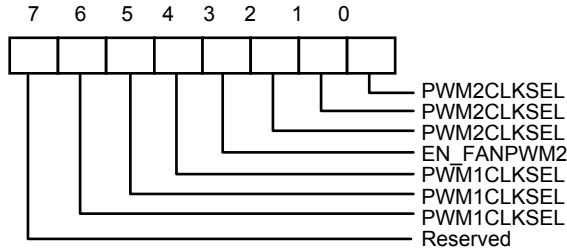
Write FF, Duty cycle is 100%,

Write 00, Duty cycle is 0%.



7.27 PWMOUT1/2 Clock Select – Index 5Ch (Bank 0)

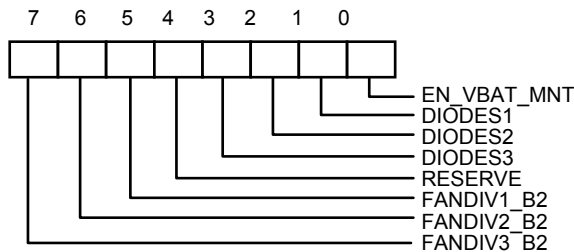
Register Location: 5Ch
 Power on Default Value <7:0> 0001-0001. Reset by MR.
 Attribute: Read/Write
 Size: 8 bits



Bit 7: Reserved
 Bit 6-4: PWMOUT1 clock selection.
 The clock defined frequency is same as PWMOUT2 clock selection.
 Bit 3: Set to 1. Enable PWMOUT2 PWM Control
 Bit 2-0: PWMOUT2 clock Selection.
 <2:0> = 000: 46.87K Hz
 <2:0> = 001: 23.43K Hz (Default)
 <2:0> = 010: 11.72K Hz
 <2:0> = 011: 5.85K Hz
 <2:0> = 100: 2.93K Hz

7.28 VBAT Monitor Control Register – Index 5Dh (Bank 0)

Register Location: 5Dh
 Power on Default Value <7:0> 0000-0000. Reset by MR.
 Attribute: Read/Write
 Size: 8 bits



Bit 7: Fan3 divisor Bit 2.
 Bit 6: Fan2 divisor Bit 2.
 Bit 5: Fan1 divisor Bit 2.
 Bit 4: Reserve.



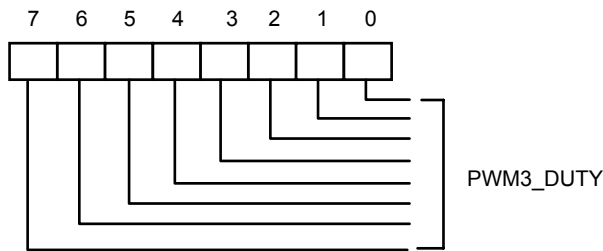
Bit 3: Temperature sensor 3 select into thermal diode such as Pentium II CPU supported. Set to 1, select bipolar sensor. Set to 0, select thermistor sensor.
 Bit 2: Sensor 2 type selection. Defined as DIODES3 described in the bit 3.
 Bit 1: Sensor 1 type selection. Defined as DIODES2 described in the bit 3.
 Bit 0: Set to 1, enable battery voltage monitor. Set to 0, disable battery voltage monitor. If enable this bit, the monitor value is value after one monitor cycle. Note that the monitor cycle time is at least 300ms for W83782D.

Fan divisor table:

BIT 2	BIT 1	BIT 0	FAN DIVISOR	BIT 2	BIT 1	BIT 0	FAN DIVISOR
0	0	0	1	1	0	0	16
0	0	1	2	1	0	1	32
0	1	0	4	1	1	0	64
0	1	1	8	1	1	1	128

7.29 PWMOUT3 Control – Index 5Eh (Bank 0)

Register Location: 5Eh
 Power on Default Value <7:0> 1111-1111. Reset by MR.
 Attribute: Read/Write
 Size: 8 bits

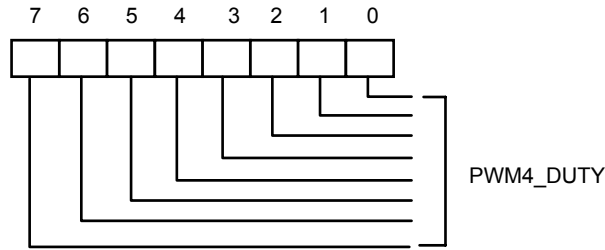


Bit 7: PWMOUT3 duty cycle control
 Write FF, Duty cycle is 100%,
 Write 00, Duty cycle is 0%.



7.30 PWMOUT4 Control – Index 5Fh (Bank 0)

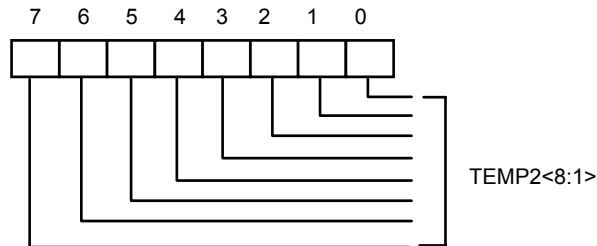
Register Location: 5Fh
 Power on Default Value <7:0> 1111-1111. Reset by MR.
 Attribute: Read Only
 Size: 8 bits



Bit 7: PWMOUT4 duty cycle control
 Write FF, Duty cycle is 100%,
 Write 00, Duty cycle is 0%.

7.31 Temperature Sensor 2 Temperature (High Byte) Register – Index 50h (Bank 1)

Register Location: 50h
 Attribute: Read Only
 Size: 8 bits

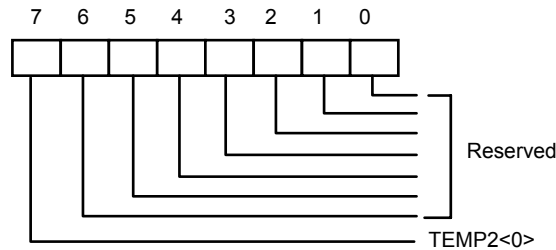


Bit 7: Temperature <8:1> of sensor 2, which is high byte.



7.32 Temperature Sensor 2 Temperature (Low Byte) Register – Index 51h (Bank 1)

Register Location: 51h
 Attribute: Read Only
 Size: 8 bits

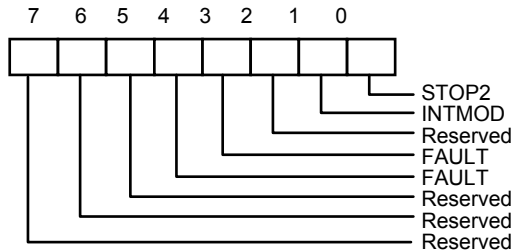


Bit 7: Temperature <0> of sensor2, which is low byte.

Bit 6-0: Reserved. This bit should be set to 0.

7.33 Temperature Sensor 2 Configuration Register – Index 52h (Bank 1)

Register Location: 52h
 Power on Default Value <7:0> = 0x00
 Size: 8 bits



Bit 7-5: Read - Reserved. This bit should be set to 0.

Bit 4-3: Read/Write - Number of faults to detect before setting OVT# output to avoid false tripping due to noise.

Bit 2: Read - Reserved. This bit should be set to 0.

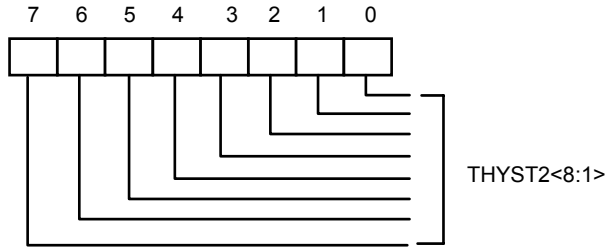
Bit 1: Read/Write - OVT# Interrupt mode select. This bit default is set to 0, which is compared mode. When set to 1, interrupt mode will be selected.

Bit 0: Read/Write - When set to 1 the sensor will stop monitor.



7.34 Temperature Sensor 2 Hysteresis (High Byte) Register – Index 53h (Bank 1)

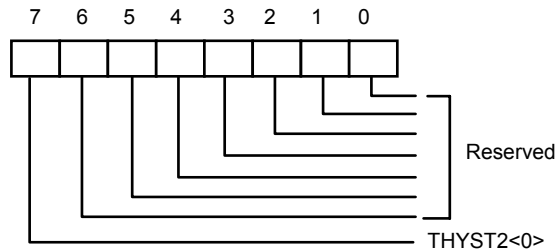
Register Location: 53h
 Power on Default Value <7:0> = 0x4B
 Attribute: Read/Write
 Size: 8 bits



Bit 7-0: Temperature hysteresis bit 8-1, which is High Byte. The temperature default is 75 degree C.

7.35 Temperature Sensor 2 Hysteresis (Low Byte) Register – Index 54h (Bank 1)

Register Location: 54h
 Power on Default Value <7:0> = 0x0
 Attribute: Read Only
 Size: 8 bits

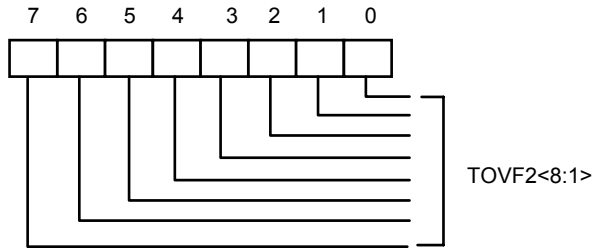


Bit 7: Temperature hysteresis bit 0, which is low Byte.

Bit 6-0: Reserved. This bit should be set to 0.

7.36 Temperature Sensor 2 Over-temperature (High Byte) Register – Index 55h (Bank 1)

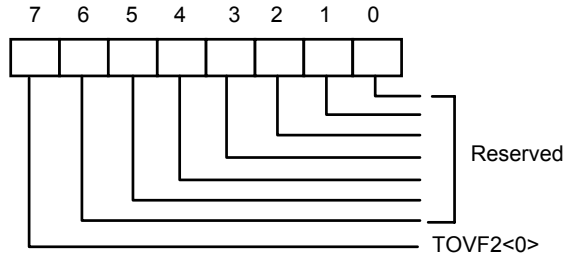
Register Location: 55h
 Power on Default Value <7:0> = 0x50
 Attribute: Read/Write
 Size: 8 bits



Bit 7-0: Over-temperature bit 8-1, which is High Byte. The temperature default is 80 degree C.

7.37 Temperature Sensor 2 Over-temperature (Low Byte) Register – Index 56h (Bank 1)

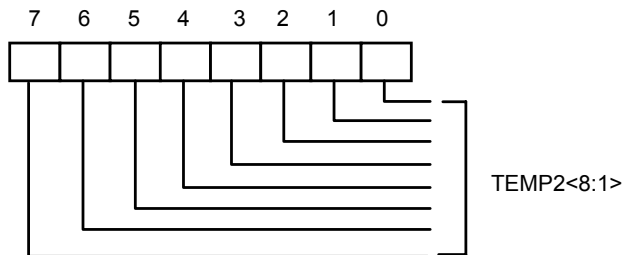
Register Location: 56h
 Power on Default Value <7:0> = 0x0
 Size: 8 bits



Bit 7: Read/Write- Over-temperature bit 0, which is low Byte.
 Bit 6-0: Read Only- Reserved. This bit should be set to 0.

7.38 Temperature Sensor 3 Temperature (High Byte) Register – Index 50h (Bank 2)

Register Location: 50h
 Attribute: Read Only
 Size: 8 bits

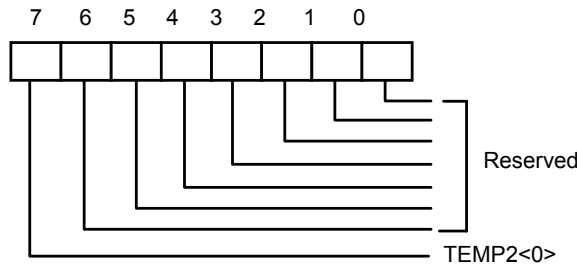


Bit 7-0: Temperature <8:1> of sensor 2, which is high byte.



7.39 Temperature Sensor 3 Temperature (Low Byte) Register – Index 51h (Bank 2)

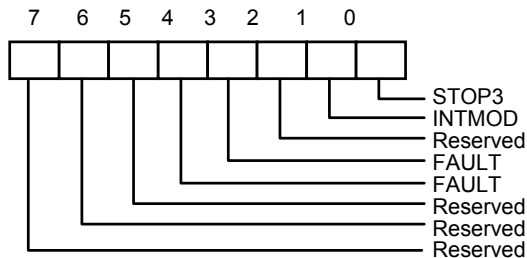
Register Location: 51h
 Attribute: Read Only
 Size: 8 bits



Bit 7: Temperature <0> of sensor2, which is low byte.
 Bit 6-0: Reserved. This bit should be set to 0.

7.40 Temperature Sensor 3 Configuration Register – Index 52h (Bank 2)

Register Location: 52h
 Power on Default Value <7:0> = 0x00
 Size: 8 bits

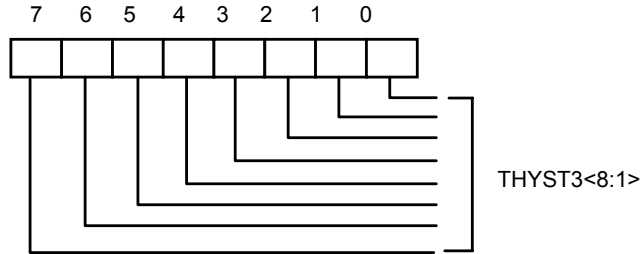


Bit 7-5: Read - Reserved. This bit should be set to 0.
 Bit 4-3: Read/Write - Number of faults to detect before setting OVT# output to avoid false tripping due to noise.
 Bit 2: Read - Reserved. This bit should be set to 0.
 Bit 1: Read/Write - OVT# Interrupt Mode select. This bit default is set to 0, which is Compared Mode. When set to 1, Interrupt Mode will be selected.
 Bit 0: Read/Write - When set to 1 the sensor will stop monitor.



7.41 Temperature Sensor 3 Hysteresis (High Byte) Register – Index 53h (Bank 2)

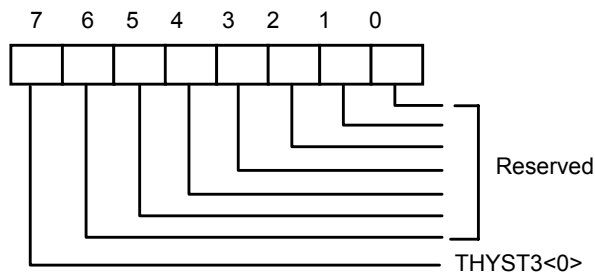
Register Location: 53h
 Power on Default Value <7:0> = 0x4B
 Attribute: Read/Write
 Size: 8 bits



Bit 7-0: Temperature hysteresis bit 8-1, which is High Byte. The temperature default is 75 degree C.

7.42 Temperature Sensor 3 Hysteresis (Low Byte) Register – Index 54h (Bank 2)

Register Location: 54h
 Power on Default Value <7:0> = 0x0
 Attribute: Read Only
 Size: 8 bits



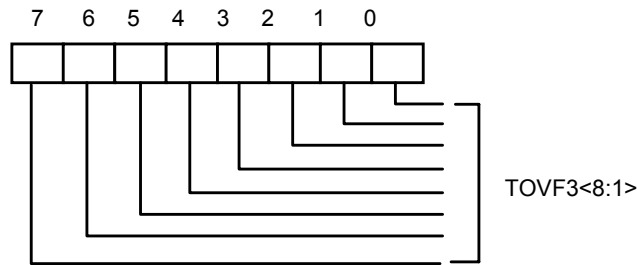
Bit 7: Temperature hysteresis bit 0, which is low Byte.

Bit 6-0: Reserved. This bit should be set to 0.



7.43 Temperature Sensor 3 Over-temperature (High Byte) Register – Index 55h (Bank 2)

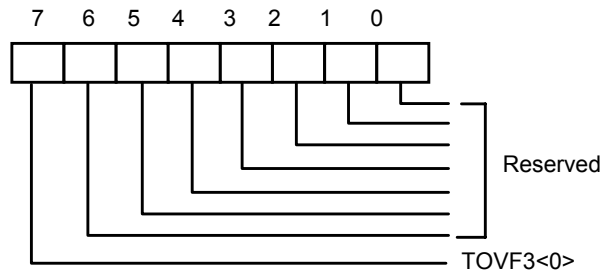
Register Location: 55h
 Power on Default Value <7:0> = 0x50
 Attribute: Read/Write
 Size: 8 bits



Bit 7-0: Over-temperature bit 8-1, which is High Byte. The temperature default is 80 degree C.

7.44 Temperature Sensor 3 Over-temperature (Low Byte) Register – Index 56h (Bank 2)

Register Location: 56h
 Power on Default Value <7:0> = 0x0
 Size: 8 bits



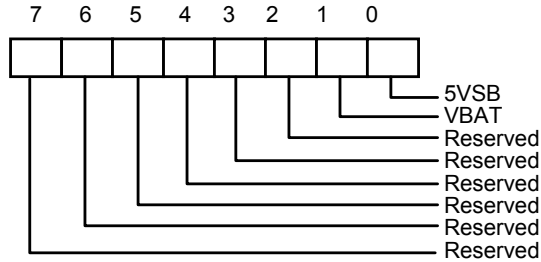
Bit 7: Read/Write- Over-temperature bit 0, which is low Byte.

Bit 6-0: Read Only- Reserved. This bit should be set to 0.



7.45 Interrupt Status Register 3 – Index 50h (Bank4)

Register Location: 50h
 Power on Default Value <7:0> = 00h
 Attribute: Read Only
 Size: 8 bits



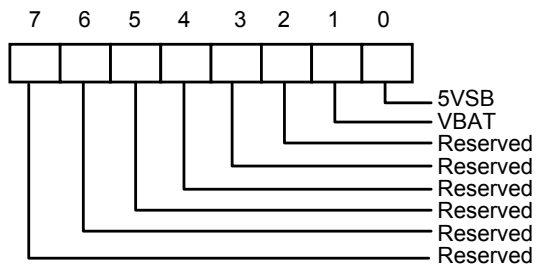
Bit 7-2: Reserved.

Bit 1: A one indicates a High or Low limit of VBAT has been exceeded.

Bit 0: A one indicates a High or Low limit of 5VSB has been exceeded.

7.46 SMI# Mask Register 3 – Index 51h (Bank 4)

Register Location: 51h
 Power on Default Value <7:0> = 0000, 0000h
 Attribute: Read/Write
 Size: 8 bits



Bit 7-2: Reserved.

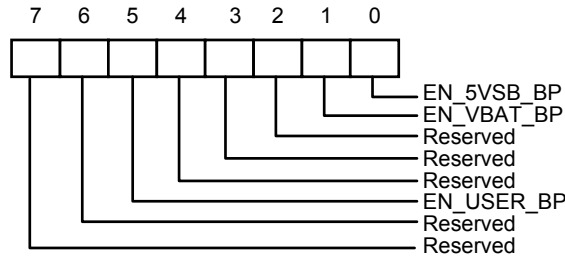
Bit 1: A one disables the corresponding interrupt status bit for $\overline{\text{SMI}}$ interrupt.

Bit 0: A one disables the corresponding interrupt status bit for $\overline{\text{SMI}}$ interrupt.



7.47 BEEP Control Register 3 – Index 53h (Bank 4)

Register Location: 53h
 Power on Default Value <7:0> 0000, 0000. Reset by MR.
 Attribute: Read/Write
 Size: 8 bits

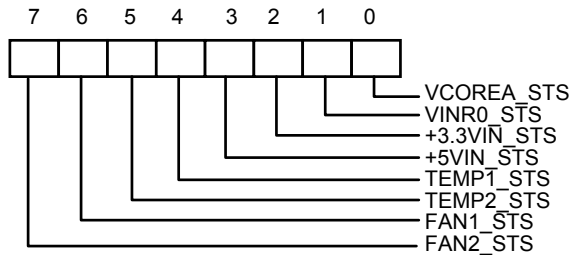


- Bit 7-6: Reserved.
- Bit 5: User defines BEEP output function. Write 1, the BEEP is always active. Write 0, this function is inactive. (Default 0)
- Bit 4-2: Reserved.
- Bit 1: Enable BEEP output from VBAT. Write 1, enable BEEP output, which is default value.
- Bit 0: Enable BEEP Output from 5VSB. Write 1, enable BEEP output, which is default value.

7.48 Reserved Register – Index 54h-58h

7.49 Real Time Hardware Status Register I – Index 59h (Bank 4)

Register Location: 59h
 Power on Default Value <7:0> 0000, 0000. Reset by MR.
 Attribute: Read Only
 Size: 8 bits



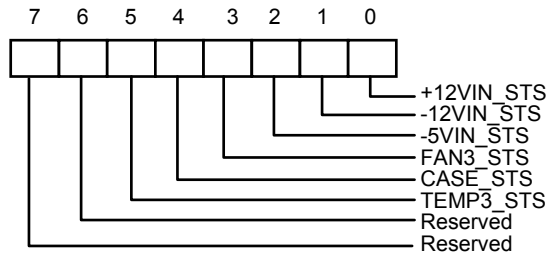
- Bit 7: FAN 2 Status. Set 1, the fan speed counter is over the limit value. Set 0, the fan speed counter is in the limit range.
- Bit 6: FAN 1 Status. Set 1, the fan speed counter is over the limit value. Set 0, the fan speed counter is in the limit range.
- Bit 5: Temperature sensor 2 Status. Set 1, the voltage of temperature sensor is over the limit value. Set 0, the voltage of temperature sensor is in the limit range.



- Bit 4: Temperature sensor 1 Status. Set 1, the voltage of temperature sensor is over the limit value. Set 0, the voltage of temperature sensor is in the limit range.
- Bit 3: +5V Voltage Status. Set 1, the voltage of +5V is over the limit value. Set 0, the voltage of +5V is in the limit range.
- Bit 2: +3.3V Voltage Status. Set 1, the voltage of +3.3V is over the limit value. Set 0, the voltage of +3.3V is in the limit range.
- Bit 1: VINR0 Voltage Status. Set 1, the voltage of VINR0 is over the limit value. Set 0, the voltage of VINR0 is in the limit range.
- Bit 0: VCOREA Voltage Status. Set 1, the voltage of VCORE A is over the limit value. Set 0, the voltage of VCORE A is in the limit range.

7.50 Real Time Hardware Status Register II – Index 5Ah (Bank 4)

Register Location: 5Ah
 Power on Default Value <7:0> 0000, 0000. Reset by MR.
 Attribute: Read Only
 Size: 8 bits

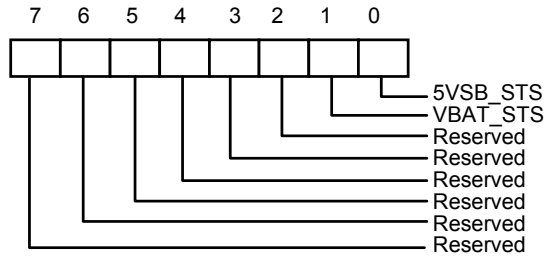


- Bit 7-6: Reserved
- Bit 5: Temperature sensor 3 Status. Set 1, the voltage of temperature sensor is over the limit value. Set 0, the voltage of temperature sensor is in the limit range.
- Bit 4: Case Open Status. Set 1, the case open sensor is sensed the high value. Set 0
- Bit 3: FAN3 Voltage Status. Set 1, the fan speed counter is over the limit value. Set 0, the fan speed counter is during the limit range.
- Bit 2: -5V Voltage Status. Set 1, the voltage of -5V is over the limit value. Set 0, the voltage of -5V is during the limit range.
- Bit 1: -12V Voltage Status. Set 1, the voltage of -12V is over the limit value. Set 0, the voltage of -12V is during the limit range.
- Bit 0: +12V Voltage Status. Set 1, the voltage of +12V is over the limit value. Set 0, the voltage of +12V is in the limit range.



7.51 Real Time Hardware Status Register III – Index 5Bh (Bank 4)

Register Location: 5Bh
 Power on Default Value <7:0> = 0000, 0000h
 Attribute: Read Only
 Size: 8 bits



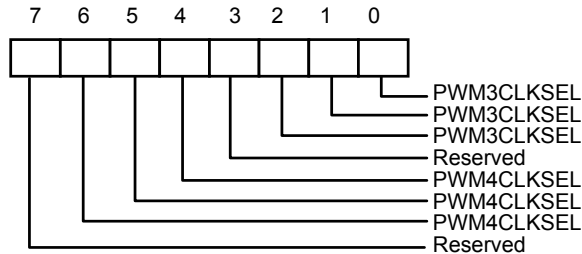
Bit 7-2: Reserved.

Bit 1: VBAT Voltage Status. Set 1, the voltage of VBAT is over the limit value. Set 0, the voltage of VBAT is during the limit range.

Bit 0: 5VSB Voltage Status. Set 1, the voltage of 5VSB is over the limit value. Set 0, the voltage of 5VSB is in the limit range.

7.52 PWMOUT3/4 Clock Select – Index 5Ch (Bank 4)

Register Location: 5Ch
 Power on Default Value <7:0> 0001, 0001. Reset by MR.
 Attribute: Read/Write
 Size: 8 bits



Bit 7: Reserved.

Bit 6-4: PWMOUT4 clock selection.

The clock defined frequency is same as PWMOUT3 clock selection.

Bit 3: Reserved.

Bit 2-0: PWMOUT3 clock Selection.

- <2:0> = 000: 46.87K Hz
- <2:0> = 001: 23.43K Hz (Default)
- <2:0> = 010: 11.72K Hz
- <2:0> = 011: 5.85K Hz
- <2:0> = 100: 2.93K Hz



7.53 Value RAM 2 – Index 50h - 5Ah (auto-increment) (Bank 5)

ADDRESS A6-A0 AUTO-INCREMENT	DESCRIPTION
50h	5VSB reading
51h	VBAT reading
52h	Reserved
53h	Reserved
54h	5VSB High Limit
55h	5VSB Low Limit.
56h	VBAT High Limit
57h	VBAT Low Limit

7.54 Winbond Test Register – Index 50h (Bank 6)

Reserved.



8. ELECTRICAL CHARACTERISTICS

8.1 Absolute Maximum Ratings

PARAMETER	RATING	UNIT
Power Supply Voltage	-0.5 to 7.0	V
Input Voltage	-0.5 to VDD+0.5	V
Operating Temperature	0 to +70	°C
Storage Temperature	-55 to +150	°C

Note: Exposure to conditions beyond those listed under Absolute Maximum Ratings may adversely affect the life and reliability of the device.

8.2 DC Characteristics

(Ta = 0° C to 70° C, VDD = 5V ± 10%, VSS = 0V)

PARAMETER	SYM.	MIN.	TYP.	MAX.	UNIT	CONDITIONS
I/O_{12t} - TTL level bi-directional pin with source-sink capability of 12 mA						
Input Low Voltage	V _{IL}			0.8	V	
Input High Voltage	V _{IH}	2.0			V	
Output Low Voltage	V _{OL}			0.4	V	I _{OL} = 12 mA
Output High Voltage	V _{OH}	2.4			V	I _{OH} = - 12 mA
Input High Leakage	I _{LIH}			+10	μA	V _{IN} = V _{DD}
Input Low Leakage	I _{LIL}			-10	μA	V _{IN} = 0V
I/O_{12ts} - TTL level bi-directional pin with source-sink capability of 12 mA and schmitt-trigger level input						
Input Low Threshold Voltage	V _{t-}	0.5	0.8	1.1	V	V _{DD} = 5 V
Input High Threshold Voltage	V _{t+}	1.6	2.0	2.4	V	V _{DD} = 5 V
Hysteresis	V _{TH}	0.5	1.2		V	V _{DD} = 5 V
Output Low Voltage	V _{OL}			0.4	V	I _{OL} = 12 mA
Output High Voltage	V _{OH}	2.4			V	I _{OH} = - 12 mA
Input High Leakage	I _{LIH}			+10	μA	V _{IN} = V _{DD}
Input Low Leakage	I _{LIL}			-10	μA	V _{IN} = 0V

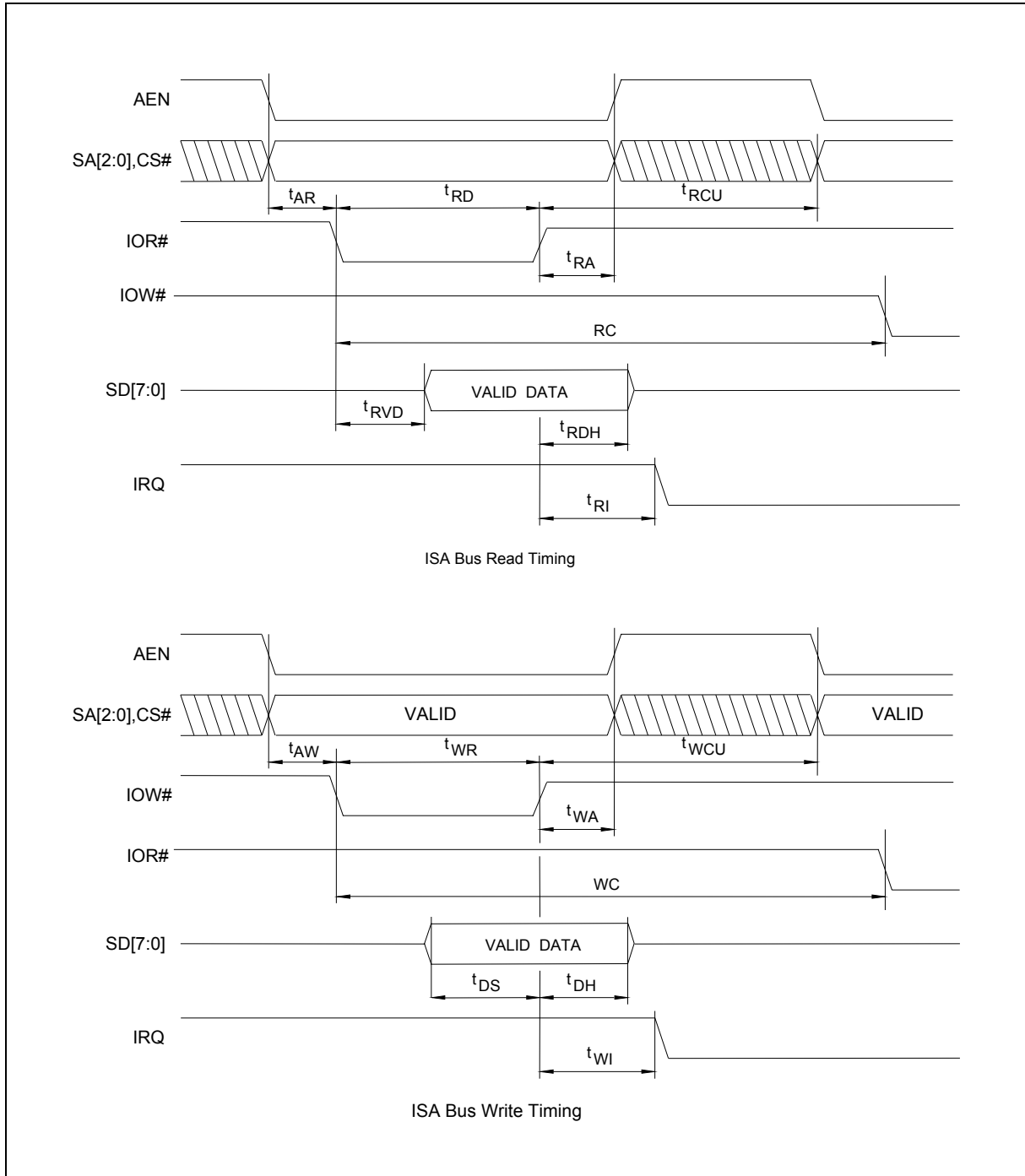


PARAMETER	SYM.	MIN.	TYP.	MAX.	UNIT	CONDITIONS
OUT_{12t} - TTL level output pin with source-sink capability of 12 mA						
Output Low Voltage	VOL			0.4	V	IOL = 12 mA
Output High Voltage	VOH	2.4			V	IOH = -12 mA
OD₈ - Open-drain output pin with sink capability of 8 mA						
Output Low Voltage	VOL			0.4	V	IOL = 8 mA
OD₁₂ - Open-drain output pin with sink capability of 12 mA						
Output Low Voltage	VOL			0.4	V	IOL = 12 mA
OD₄₈ - Open-drain output pin with sink capability of 48 mA						
Output Low Voltage	VOL			0.4	V	IOL = 48 mA
IN_t - TTL level input pin						
Input Low Voltage	VIL			0.8	V	
Input High Voltage	VIH	2.0			V	
Input High Leakage	ILIH			+10	μA	VIN = VDD
Input Low Leakage	ILIL			-10	μA	VIN = 0 V
IN_{ts} - TTL level Schmitt-triggered input pin						
Input Low Threshold Voltage	Vt-	0.5	0.8	1.1	V	VDD = 5 V
Input High Threshold Voltage	Vt+	1.6	2.0	2.4	V	VDD = 5 V
Hysteresis	VTH	0.5	1.2		V	VDD = 5 V
Input High Leakage	ILIH			+10	μA	VIN = VDD
Input Low Leakage	ILIL			-10	μA	VIN = 0 V



8.3 AC Characteristics

8.3.1 ISA Read/Write Interface Timing



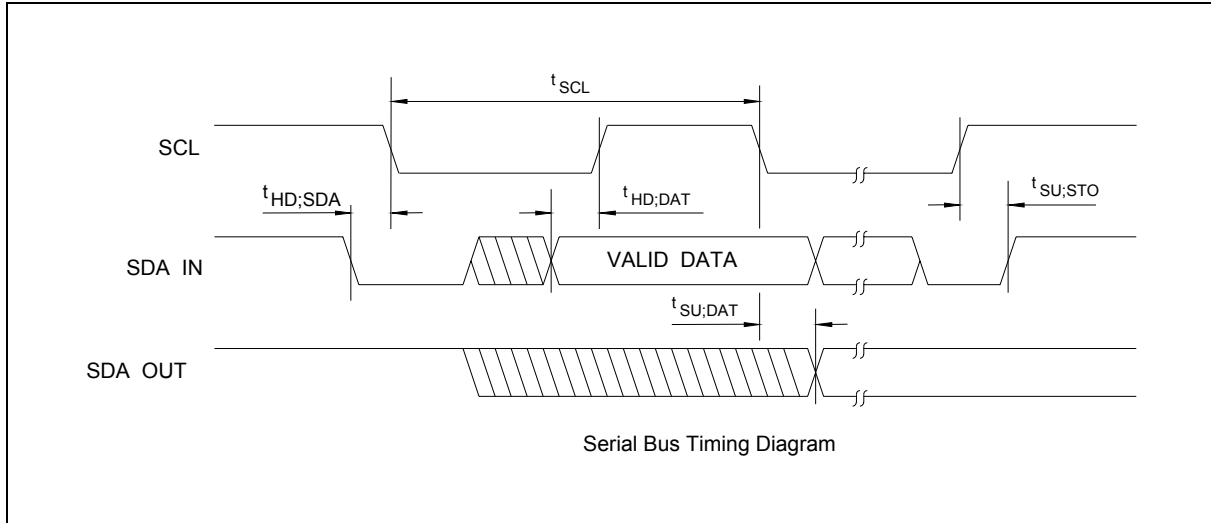


ISA Read/Write Timing

PARAMETER	SYMBOL	MIN.	MAX.	UNIT
Valid Address to Read Active	t_{AR}	10		nS
Valid Address to Write Active	t_{AW}	10		nS
Data Hold	t_{DH}	5		nS
Data Setup	t_{DS}	80		nS
Address Hold from Inactive Read	t_{RA}	40		nS
Read Cycle Update	t_{RCU}	200		nS
Read Strobe Width	t_{RD}	120		nS
Read Data Hold	t_{RDH}	40		nS
Read Strobe to Clear IRQ	t_{RI}		60	nS
Active Read to Valid Data	t_{RVD}		115	nS
Address Hold from Inactive Write	t_{WA}	5		nS
Write Cycle Update	t_{WCU}	80		nS
Write Strobe to Clear IRQ	t_{WI}		60	nS
Write Strobe Width	t_{WR}	120		nS
Read Cycle = $t_{AR} + t_{RD} + t_{RCV}$	RC	330		nS
Write Cycle = $t_{AW} + t_{WR} + t_{WCV}$	WC	210		nS



8.3.2 Serial Bus Timing Diagram



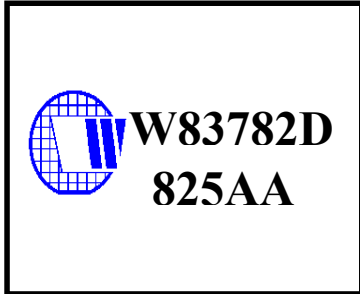
Serial Bus Timing

PARAMETER	SYMBOL	MIN.	MAX.	UNIT
SCL Clock Period	t_{SCL}	10		uS
Start Condition Hold Time	$t_{HD;SDA}$	4.7		uS
Stop Condition Setup-up Time	$t_{SU;STO}$	4.7		uS
DATA to SCL Setup Time	$t_{SU;DAT}$	120		nS
DATA to SCL Hold Time	$t_{HD;DAT}$	5		nS
SCL and SDA Rise Time	t_R		1.0	uS
SCL and SDA Fall Time	t_F		300	nS



9. HOW TO READ THE TOP MARKING

The top marking of W83782D



Left: Winbond logo

1st line: Type number W83782D, D means LQFP (Thickness = 1.4 mm).

2nd line: Tracking code 825 A A

825: packages made in '98, week 25

A: assembly house ID; A means ASE, O means OSE

A: IC revision; A means version A, B means version B

The top marking of W83782G



Left: Winbond logo

1st line: Type number W83782G, G means Lead-free Package.

2nd line: Tracking code 825 A A

825: packages made in '98, week 25

A: assembly house ID; A means ASE, O means OSE

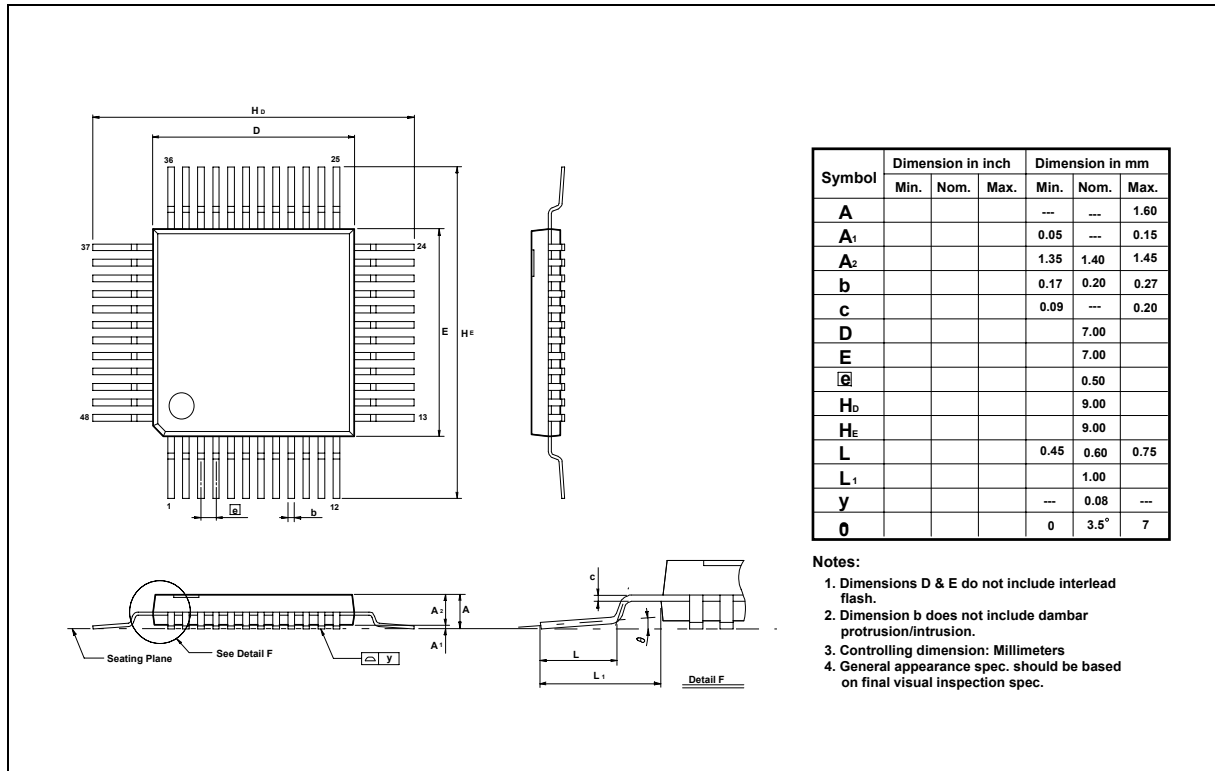
A: IC revision; A means version A, B means version B

W83782D/W83782G

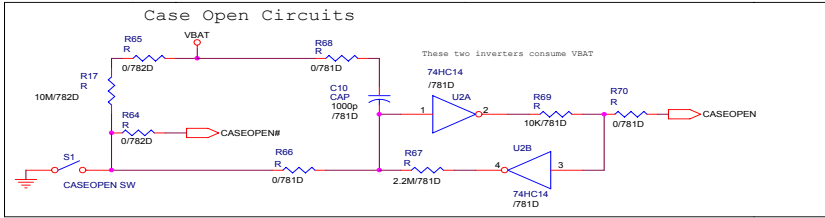
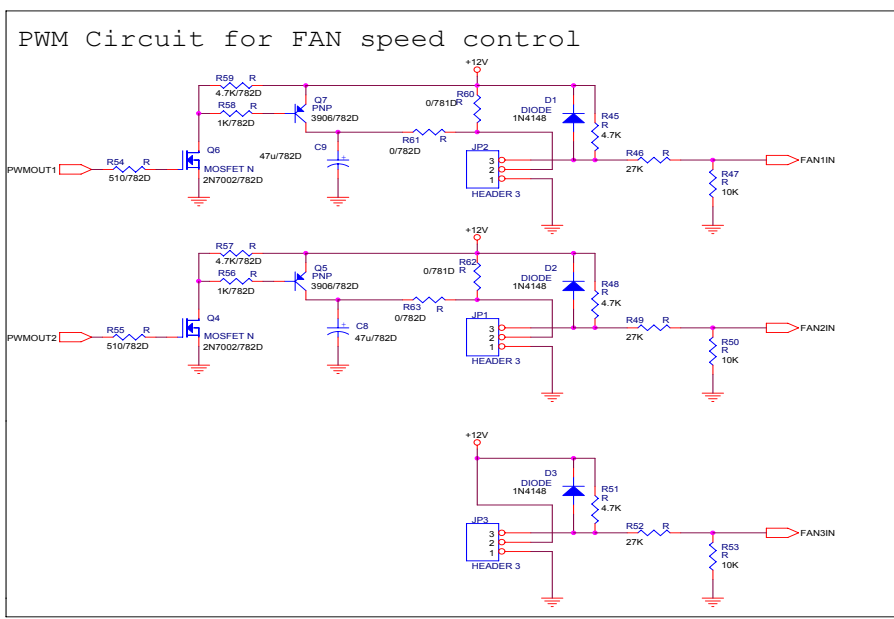
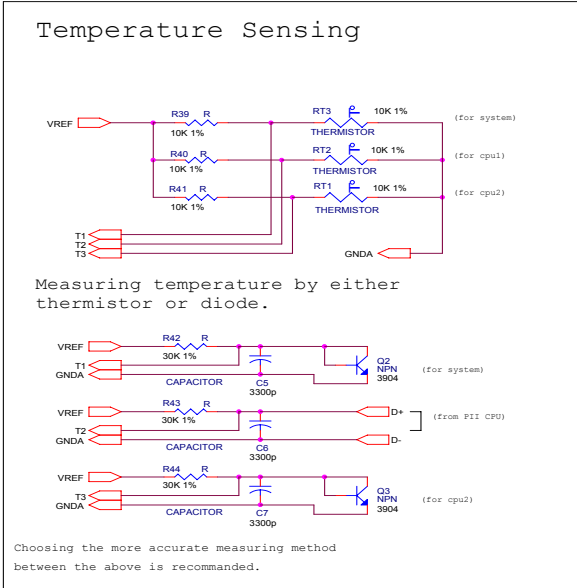


10. PACKAGE DIMENSIONS

48-pin QFP



W83782D/W83782G



Winbond Electronic Corp.		
Title	W83781D-W83782D Application Circuit	
Size	Document Number	Rev
Custom		0.3
Date:	Wednesday, July 22, 1998	Sheet 2 of 2

W83782D/W83782G



Rev.	Description
0.1	First published.
0.2	Change CASEOPEN circuit for W83781D/782D co-layout.
0.3	Change 2N3904 in Fan Speed Control circuit to 2N7002.

Winbond Electronic Corp.			
Title			
W83781D-W83782D Application Circuit			
Size	Document Number	Rev	
B		0.3	
Date	Thursday, July 23, 1998	Sheet	3 of 3

**REVISION HISTORY**

VERSION	DATE	PAGE	DESCRIPTION
		n.a.	All the version before 0.50 are for internal use.
0.5	98/7	n.a.	First publication.
0.55	99/4	P.40	Add the content of Diode Selection Register Index 59h(Bank0)
0.55	99/4	P.42	Add the content of VBAT Monitor Control Register Index 5Dh (Bank0)
1.0	02/4	n.a.	Change version and version on web site to 1.0
1.1	02/10	P.58	Verify ISA Bus RD Timing. (210=>330ns)
1.2	05/01	n.a.	Lead-free package version
2.0	April 14, 2005	58	ADD Important Notice

W83782D/W83782G



Important Notice

Winbond products are not designed, intended, authorized or warranted for use as components in systems or equipment intended for surgical implantation, atomic energy control instruments, airplane or spaceship instruments, transportation instruments, traffic signal instruments, combustion control instruments, or for other applications intended to support or sustain life. Further more, Winbond products are not intended for applications wherein failure of Winbond products could result or lead to a situation wherein personal injury, death or severe property or environmental damage could occur.

Winbond customers using or selling these products for use in such applications do so at their own risk and agree to fully indemnify Winbond for any damages resulting from such improper use or sales.

*Please note that all data and specifications are subject to change without notice.
All the trademarks of products and companies mentioned in this datasheet belong to their respective owners.*